



**MASSEY FERGUSON**

# MF 9200

Series Draper Header

Model: 9255-45

## SERVICE MANUAL

FROM MASSEY FERGUSON

# 9255 DynaFlex™ Draper Header

<b>1 General</b>	1-1
<b>1.1 General information</b>	1-5
1.1.1 Introduction to this service manual	1-5
1.1.2 Units of measurement	1-5
1.1.3 Table of contents	1-5
1.1.4 Page numbers	1-5
1.1.5 Intended use	1-5
1.1.6 Proper disposal of waste	1-5
<b>1.2 Safety</b>	1-7
1.2.1 Safety symbol	1-7
1.2.2 Safety messages	1-7
1.2.3 Information messages	1-7
1.2.4 Safety signs	1-7
1.2.5 A word to the technician	1-8
1.2.6 The service manual	1-9
<b>1.3 Operation</b>	1-10
1.3.1 Prepare for operation	1-10
1.3.2 General information	1-10
1.3.3 Personal protective equipment	1-11
1.3.4 Seat instructions	1-12
1.3.5 Shield and guards	1-12
1.3.6 Exhaust warning	1-13
1.3.7 Flying debris	1-13
1.3.8 Handrails	1-13
1.3.9 Agricultural chemicals	1-13
<b>1.4 Travel on public roads</b>	1-15
<b>1.5 Maintenance</b>	1-16
1.5.1 General maintenance information	1-16
1.5.2 Fire prevention and first aid	1-17
1.5.3 High pressure leaks	1-18
1.5.4 Tire safety	1-19
1.5.5 Replacement parts	1-19
<b>1.6 Cylinder stops</b>	1-20
1.6.1 Engage the stop for the reel lift cylinder	1-20
1.6.2 Disengage the stop for the reel lift cylinder	1-20
1.6.3 Header lift cylinder stop	1-21
<b>1.7 Shields</b>	1-22
1.7.1 Draper drive shields	1-22
1.7.2 Auger shaft shield	1-22
1.7.3 End shields	1-22
1.7.4 Dividershield	1-23
1.7.5 Reel drive shield	1-24
<b>1.8 Safety and informational signs</b>	1-25
1.8.1 Operators manual	1-28
1.8.2 Warning - Hydraulic fluid pressure	1-28
1.8.3 Warning - Entanglement hazard	1-28
1.8.4 Warning - Crushing hazard	1-28
1.8.5 Warning - Crushing hazard	1-29
1.8.6 Informational decals	1-29
<b>1.9 Introduction</b>	1-32
1.9.1 Units of measurement	1-32

1.9.2 Replacement parts . . . . .	1-32
1.9.3 Intended use . . . . .	1-32
1.9.4 Recommended header/combine usage . . . . .	1-32
1.9.5 Proper disposal of waste . . . . .	1-32
<b>1.10 Machine identification . . . . .</b>	<b>1-33</b>
1.10.1 Serial number plate . . . . .	1-33
1.10.2 Serial number description . . . . .	1-33
<b>1.11 Configure a header . . . . .</b>	<b>1-35</b>
1.11.1 Required kits to install the header on the combines . . . . .	1-35
1.11.2 Break in the header . . . . .	1-36
1.11.3 Check draper belt . . . . .	1-36
1.11.4 Parking stands . . . . .	1-36
<b>1.12 Install the header . . . . .</b>	<b>1-37</b>
<b>1.13 Remove the header . . . . .</b>	<b>1-40</b>
<b>1.14 Reel speed . . . . .</b>	<b>1-42</b>
<b>1.15 Cutterbar . . . . .</b>	<b>1-43</b>
1.15.1 Lock and unlock the cutterbar . . . . .	1-43
<b>1.16 Sickle storage . . . . .</b>	<b>1-44</b>
<b>1.17 Header extremity lights . . . . .</b>	<b>1-45</b>
<b>1.18 Flighting filler . . . . .</b>	<b>1-46</b>
<b>1.19 Variable speed drive lockout . . . . .</b>	<b>1-47</b>
1.19.1 Lockout variable speed drive . . . . .	1-47
<b>1.20 Feeder chain speed . . . . .</b>	<b>1-48</b>
<b>1.21 Draper maintenance . . . . .</b>	<b>1-49</b>
1.21.1 Draper care . . . . .	1-49
1.21.2 Remove clogged material from header . . . . .	1-49
1.21.3 Draper speed . . . . .	1-49
<b>1.22 Adjustments . . . . .</b>	<b>1-50</b>
1.22.1 Synchronize the reel lift arms . . . . .	1-50
1.22.2 Adjust the minimum reel lift height . . . . .	1-50
1.22.3 Reel position . . . . .	1-52
1.22.4 Adjust the roller chain . . . . .	1-55
1.22.5 Adjust the cutterbar flex pressure - IDEAL . . . . .	1-55
1.22.6 Adjust cutterbar flex pressure - 2009 and later axial combines . . . . .	1-55
1.22.7 Adjust cutterbar flex pressure - 2003 to 2008 axial combines . . . . .	1-56
1.22.8 Bleed air for the cutter flex system . . . . .	1-57
1.22.9 Adjust the tine pitch . . . . .	1-57
1.22.10 Adjust header pitch - IDEAL combines . . . . .	1-58
1.22.11 Adjust the header pitch - 2009 and later axial combines . . . . .	1-59
1.22.12 Adjust the auger . . . . .	1-60
1.22.13 Adjust left and right draper tension . . . . .	1-62
1.22.14 Adjust main drive belt tension . . . . .	1-62
1.22.15 Adjust the center draper drive belt tension . . . . .	1-63
1.22.16 Adjust auger drive belt tension . . . . .	1-64
1.22.17 Adjust variable speed belt . . . . .	1-65
1.22.18 Adjust reel speed sensors . . . . .	1-65
1.22.19 Set the sickle time . . . . .	1-65
<b>1.23 Specifications . . . . .</b>	<b>1-67</b>
1.23.1 Header depth . . . . .	1-67
1.23.2 Header width . . . . .	1-68
1.23.3 Weight . . . . .	1-68
1.23.4 Pick up reel . . . . .	1-68
1.23.5 Reel drive . . . . .	1-69
1.23.6 Reel height control . . . . .	1-69
1.23.7 Cutterbar . . . . .	1-70

1.23.8 Sickle	1-70
1.23.9 Header Pitch	1-70
1.23.10 Side drapers	1-71
1.23.11 Center drapers	1-71
1.23.12 Center conveyor	1-71
1.23.13 General lubrication	1-71
1.23.14 Wheels	1-72
1.23.15 Header transport	1-72
<b>1.24 Lubrication and maintenance</b>	<b>1-73</b>
1.24.1 Lubrication details	1-73
1.24.2 Gear box oil level	1-77
<b>1.25 Sealed chain</b>	<b>1-79</b>
1.25.1 Lubricate and clean the sealed chain	1-79
1.25.2 Roller chain maintenance	1-79
1.25.3 Roller chain don'ts	1-80
1.25.4 Adjust the roller chain	1-81
<b>1.26 Header troubleshooting</b>	<b>1-82</b>
1.26.1 Cutterbar	1-82
1.26.2 Reel	1-83
1.26.3 Draper	1-84
1.26.4 Auger	1-85
1.26.5 Float/reel valve assembly	1-85
<b>1.27 Bolt torque values</b>	<b>1-90</b>
<b>1.28 Conversion table</b>	<b>1-92</b>
<b>1.29 Checklists</b>	<b>1-95</b>
1.29.1 Daily checklist	1-95
1.29.2 Before each season checklist	1-95
1.29.3 End of season checklist	1-95
<b>1.30 Special tools</b>	<b>1-96</b>
<b>2 Frame</b>	<b>2-1</b>
<b>2.1 Hydraulic interface group</b>	<b>2-3</b>
2.1.1 Remove the hydraulic interface group	2-3
2.1.2 Install the hydraulic interface group	2-6
<b>2.2 Center deck group</b>	<b>2-10</b>
2.2.1 Remove the center draper	2-10
2.2.2 Install the center draper	2-12
2.2.3 Remove the center deck	2-14
2.2.4 Install the center deck	2-18
2.2.5 Idler roller components for the center deck	2-22
2.2.6 Disassemble the idler roller	2-22
2.2.7 Drive roller components for the center deck	2-26
2.2.8 Disassemble the drive roller for the center deck	2-26
2.2.9 Assemble the idler roller	2-32
2.2.10 Assemble the drive roller for the center deck	2-41
<b>2.3 Side canvas and roller group</b>	<b>2-49</b>
2.3.1 Remove the left and right draper	2-49
2.3.2 Inspect the left and right draper	2-51
2.3.3 Install the left hand and right hand draper	2-53
2.3.4 Remove the drive roller for side draper	2-55
2.3.5 Disassemble the drive roller for side draper	2-62
2.3.6 Assemble the drive roller for side draper	2-66
2.3.7 Install the drive roller for side draper	2-75
2.3.8 Remove the idler roller for side draper	2-84
2.3.9 Disassemble the idler roller for side draper	2-86
2.3.10 Assemble the idler roller for side draper	2-86

2.3.11	Install the idler roller for side draper	2-87
<b>2.4</b>	<b>Feather sheet group</b>	<b>2-89</b>
2.4.1	Remove the feather sheets	2-89
2.4.2	Install the feather sheets	2-89
2.4.3	Remove the belt guides	2-91
2.4.4	Install the belt guides	2-92
2.4.5	Remove the rear belt supports	2-93
2.4.6	Install the rear belt supports	2-93
<b>2.5</b>	<b>Skid plate and cutterbar group</b>	<b>2-95</b>
2.5.1	Remove the skid plates	2-95
2.5.2	Install the skid plates	2-100
<b>2.6</b>	<b>Tilt arm group</b>	<b>2-104</b>
2.6.1	Remove the tilt arm assembly	2-104
2.6.2	Install the sickle drive tilt arm	2-109
2.6.3	Install the tilt arm assembly	2-115
<b>3</b>	<b>Augers</b>	<b>3-1</b>
<b>3.1</b>	<b>Auger</b>	<b>3-3</b>
3.1.1	Remove the auger	3-3
3.1.2	Disassemble the auger	3-6
3.1.3	Assemble the auger	3-6
3.1.4	Install the auger	3-8
<b>4</b>	<b>Drive system</b>	<b>4-1</b>
<b>4.1</b>	<b>Drive belts</b>	<b>4-3</b>
4.1.1	Remove the left and right draper drive belt	4-3
4.1.2	Install the left and right draper drive belt	4-5
4.1.3	Remove the center draper drive belt	4-7
4.1.4	Install the center draper drive belt	4-8
4.1.5	Remove the auger drive belt	4-9
4.1.6	Install the auger drive belt	4-9
<b>4.2</b>	<b>Draper drive</b>	<b>4-11</b>
4.2.1	Remove the primary draper drive	4-11
4.2.2	Disassemble the primary draper drive	4-14
4.2.3	Assemble the primary draper drive	4-15
4.2.4	Install the primary draper drive	4-16
4.2.5	Remove the draper drive	4-19
4.2.6	Install the draper drive	4-22
<b>4.3</b>	<b>Auger drive</b>	<b>4-28</b>
4.3.1	Remove the auger drive	4-28
4.3.2	Install the auger drive	4-30
4.3.3	Auger torque limiter	4-33
<b>4.4</b>	<b>Drive shaft</b>	<b>4-35</b>
4.4.1	Remove the drive shaft	4-35
4.4.2	Clutch torque limiter	4-37
4.4.3	Install the drive shaft	4-38
<b>4.5</b>	<b>Drive gearcase</b>	<b>4-42</b>
4.5.1	Remove the drive gearcase	4-42
4.5.2	Disassemble the drive gearcase	4-45
4.5.3	Drive gearcase components	4-48
4.5.4	Inspect the drive gearcase	4-49
4.5.5	Assemble the drive gearcase	4-49
4.5.6	Install the drive gearcase	4-51
<b>4.6</b>	<b>Sickle drive box</b>	<b>4-57</b>
4.6.1	Remove the sickle drive box	4-57
4.6.2	Disassemble the sickle drive box	4-59

4.6.3 Sickle drive box components . . . . .	4-63
4.6.4 Sickle drive box special tools . . . . .	4-64
4.6.5 Inspect the sickle drive box . . . . .	4-65
4.6.6 Assemble the sickle drive box . . . . .	4-65
4.6.7 Install the sickle drive box . . . . .	4-68
<b>4.7 Sickle drive gearbox . . . . .</b>	<b>4-71</b>
4.7.1 Remove the sickle drive gearbox . . . . .	4-71
4.7.2 Disassemble the sickle drive gearbox . . . . .	4-74
4.7.3 Assemble the sickle drive gearbox . . . . .	4-81
4.7.4 Sickle drive gearbox components . . . . .	4-95
4.7.5 Install the sickle drive gearbox . . . . .	4-96
<b>4.8 Power take off drive shafts . . . . .</b>	<b>4-100</b>
4.8.1 Disassemble the power take off drive shafts . . . . .	4-100
4.8.2 Inspect the power take off drive shafts . . . . .	4-105
4.8.3 Assemble the power take off drive shafts . . . . .	4-106
<b>4.9 U-joint drive shaft assembly . . . . .</b>	<b>4-114</b>
4.9.1 U-joint drive shaft components . . . . .	4-114
4.9.2 Remove the assembly for the U-joint drive shaft . . . . .	4-115
4.9.3 Inspect the assembly for the U-joint drive shaft . . . . .	4-118
4.9.4 Install the assembly for the U-joint drive shaft . . . . .	4-119
4.9.5 Replace the U-joint . . . . .	4-121
<b>5 Hydraulic system . . . . .</b>	<b>5-1</b>
<b>5.1 Float/reel valve assembly . . . . .</b>	<b>5-3</b>
5.1.1 Remove the float/reel valve . . . . .	5-3
5.1.2 Disassemble the float/reel valve . . . . .	5-4
5.1.3 Inspect the float/reel valve . . . . .	5-4
5.1.4 Assemble the float/reel valve . . . . .	5-5
5.1.5 Install the float/reel valve . . . . .	5-6
<b>5.2 Accumulator . . . . .</b>	<b>5-8</b>
5.2.1 Examine the accumulator charge pressure . . . . .	5-8
5.2.2 Discharge an accumulator . . . . .	5-9
5.2.3 Charge an accumulator . . . . .	5-11
5.2.4 Remove the accumulator . . . . .	5-12
5.2.5 Install the accumulator . . . . .	5-14
<b>5.3 Float cylinders . . . . .</b>	<b>5-16</b>
5.3.1 Remove the float cylinders . . . . .	5-16
5.3.2 Install the float cylinders . . . . .	5-17
5.3.3 Disassemble the float cylinder for the inner tilt arm . . . . .	5-17
5.3.4 Inspect the float cylinder for the inner tilt arm . . . . .	5-18
5.3.5 Assemble float cylinder for the inner tilt arm . . . . .	5-18
5.3.6 Disassemble the float cylinder for the outer tilt arm . . . . .	5-19
5.3.7 Inspect the float cylinder for the outer tilt arm . . . . .	5-19
5.3.8 Assemble the float cylinder for the outer tilt arm . . . . .	5-20
<b>5.4 Reel relief valve . . . . .</b>	<b>5-21</b>
5.4.1 Remove the reel relief valve . . . . .	5-21
5.4.2 Install the reel relief valve . . . . .	5-21
5.4.3 Disassemble the reel relief valve . . . . .	5-22
5.4.4 Assemble the reel relief valve . . . . .	5-22
5.4.5 Adjust the reel relief valve . . . . .	5-23
<b>5.5 Reel motor . . . . .</b>	<b>5-24</b>
5.5.1 Disassemble the reel motor . . . . .	5-24
5.5.2 Assemble the reel motor . . . . .	5-27
5.5.3 Set the timing for the reel motor . . . . .	5-28
<b>5.6 Reel lift cylinders . . . . .</b>	<b>5-29</b>
5.6.1 Disassemble the reel lift master . . . . .	5-29

5.6.2 Assemble the reel lift master . . . . .	5-29
<b>5.7 Tilt cylinder for the header interface . . . . .</b>	<b>5-32</b>
5.7.1 Tilt cylinder . . . . .	5-32
5.7.2 Remove the tilt cylinder . . . . .	5-32
5.7.3 Install the tilt cylinder . . . . .	5-33
<b>6 Electrical system . . . . .</b>	<b>6-1</b>
<b>6.1 Basic electrical troubleshooting . . . . .</b>	<b>6-3</b>
6.1.1 Basic troubleshooting procedures . . . . .	6-3
6.1.1.1 Tools . . . . .	6-4
6.1.1.2 Continuity check . . . . .	6-4
6.1.1.3 Voltage check . . . . .	6-5
6.1.2 Tools . . . . .	6-6
6.1.3 Continuity check . . . . .	6-6
6.1.4 Voltage check . . . . .	6-7
<b>6.2 Connectors . . . . .</b>	<b>6-8</b>
6.2.1 Examine a connector . . . . .	6-8
6.2.2 Terminal numbers . . . . .	6-8
6.2.3 Pins and sockets . . . . .	6-9
6.2.3.1 Dielectric grease . . . . .	6-10
6.2.4 Dielectric grease . . . . .	6-10
6.2.5 Replace a Packard connector . . . . .	6-10
6.2.6 Replace a Power Cord connector . . . . .	6-10
6.2.7 Replace a Deutsch connector . . . . .	6-11
<b>6.3 Electrical components . . . . .</b>	<b>6-13</b>
6.3.1 Location of electrical components . . . . .	6-13
6.3.2 Test the potentiometers . . . . .	6-15
6.3.3 Test the pressure transducer . . . . .	6-16
<b>6.4 Solenoid tests . . . . .</b>	<b>6-17</b>
6.4.1 Test solenoid visually . . . . .	6-17
6.4.2 Test solenoid voltage . . . . .	6-17
6.4.3 Test the solenoid coil . . . . .	6-17
<b>6.5 Lightning tests . . . . .</b>	<b>6-18</b>
6.5.1 Test the lighting . . . . .	6-18
<b>7 Shielding . . . . .</b>	<b>7-1</b>
<b>7.1 Divider shield . . . . .</b>	<b>7-3</b>
7.1.1 Remove the divider shield . . . . .	7-3
7.1.2 Install the divider shield . . . . .	7-5
<b>7.2 End shield . . . . .</b>	<b>7-8</b>
7.2.1 Remove the end shield . . . . .	7-8
7.2.2 Install the end shield . . . . .	7-9
<b>7.3 Drive shield . . . . .</b>	<b>7-11</b>
7.3.1 Remove the drive shield . . . . .	7-11
7.3.2 Install the drive shield . . . . .	7-11
<b>7.4 End panels group . . . . .</b>	<b>7-13</b>
7.4.1 Remove the end panels . . . . .	7-13
7.4.2 Install the end panels . . . . .	7-15
<b>8 Reels . . . . .</b>	<b>8-1</b>
<b>8.1 Reel . . . . .</b>	<b>8-3</b>
8.1.1 Remove the reel . . . . .	8-3
8.1.2 Inspect the reel . . . . .	8-5
8.1.3 Install the reel . . . . .	8-6
8.1.4 Remove the tine tube . . . . .	8-9
8.1.5 Replace the reel tines . . . . .	8-10

8.1.6 Install the tine tube . . . . .	8-10
<b>8.2 Reel carrier assembly . . . . .</b>	<b>8-12</b>
8.2.1 Remove the left reel carrier . . . . .	8-12
8.2.2 Install the left reel carrier . . . . .	8-13
8.2.3 Remove the right reel carrier . . . . .	8-13
8.2.4 Install the right reel carrier . . . . .	8-15
8.2.5 Remove the center reel carrier . . . . .	8-17
8.2.6 Install the center reel carrier . . . . .	8-18
<b>8.3 Reel support arm . . . . .</b>	<b>8-20</b>
8.3.1 Remove the reel support arm . . . . .	8-20
8.3.2 Install the reel support arm . . . . .	8-22
<b>8.4 Reel actuator . . . . .</b>	<b>8-25</b>
8.4.1 Remove the reel actuator . . . . .	8-25
8.4.2 Install the reel actuator . . . . .	8-26
8.4.3 Synchronize the reel lift arms . . . . .	8-28
<b>8.5 Reel lift cylinders . . . . .</b>	<b>8-29</b>
8.5.1 Remove the lift cylinders . . . . .	8-29
8.5.2 Install the lift cylinders . . . . .	8-30
<b>8.6 Single point connector . . . . .</b>	<b>8-32</b>
<b>8.7 Reel drive . . . . .</b>	<b>8-34</b>
8.7.1 Adjust the reel speed pickup . . . . .	8-34
8.7.2 Remove the reel speed pickup . . . . .	8-35
8.7.3 Install the reel speed pickup . . . . .	8-35
8.7.4 Remove the reel motor . . . . .	8-37
8.7.5 Install the reel motor . . . . .	8-39
<b>9 Cutterbar . . . . .</b>	<b>9-1</b>
<b>9.1 Cutterbar . . . . .</b>	<b>9-3</b>
9.1.1 Remove sickle . . . . .	9-3
9.1.2 Inspect the sickle . . . . .	9-6
9.1.3 Install the sickle . . . . .	9-9
9.1.4 Adjust the hold-down pressure for the standard sickle . . . . .	9-18
9.1.5 Adjust the sickle register . . . . .	9-18
9.1.6 Replace the standard sickle sections . . . . .	9-19
9.1.7 Replace the SCH sickle sections . . . . .	9-25
9.1.8 Guards, wear plates, knife back rollers for SCH, and hold-downs. . . . .	9-32
9.1.9 Set the sickle time . . . . .	9-44
9.1.10 Replace the shear bolt for the sickle drive . . . . .	9-44
<b>10 Attachments . . . . .</b>	<b>10-1</b>
<b>10.1 Reel divider . . . . .</b>	<b>10-3</b>
<b>10.2 Divider rod . . . . .</b>	<b>10-4</b>
<b>11 Diagrams . . . . .</b>	<b>11-1</b>
<b>11.1 Hydraulic . . . . .</b>	<b>11-3</b>
11.1.1 Main hydraulic schematic . . . . .	11-3
<b>11.2 Electrical . . . . .</b>	<b>11-5</b>
11.2.1 Harness and connector identification . . . . .	11-5
11.2.2 Splices . . . . .	11-5
11.2.3 Wire colors . . . . .	11-5
11.2.4 Main electrical diagram . . . . .	11-8
<b>12 Index . . . . .</b>	<b>Index-1</b>



# 1. General

<b>1.1 General information</b>	<b>1-5</b>
1.1.1 Introduction to this service manual	1-5
1.1.2 Units of measurement	1-5
1.1.3 Table of contents	1-5
1.1.4 Page numbers	1-5
1.1.5 Intended use	1-5
1.1.6 Proper disposal of waste	1-5
<b>1.2 Safety</b>	<b>1-7</b>
1.2.1 Safety symbol	1-7
1.2.2 Safety messages	1-7
1.2.3 Information messages	1-7
1.2.4 Safety signs	1-7
1.2.5 A word to the technician	1-8
1.2.6 The service manual	1-9
<b>1.3 Operation</b>	<b>1-10</b>
1.3.1 Prepare for operation	1-10
1.3.2 General information	1-10
1.3.3 Personal protective equipment	1-11
1.3.4 Seat instructions	1-12
1.3.5 Shield and guards	1-12
1.3.6 Exhaust warning	1-13
1.3.7 Flying debris	1-13
1.3.8 Handrails	1-13
1.3.9 Agricultural chemicals	1-13
<b>1.4 Travel on public roads</b>	<b>1-15</b>
<b>1.5 Maintenance</b>	<b>1-16</b>
1.5.1 General maintenance information	1-16
1.5.2 Fire prevention and first aid	1-17
1.5.3 High pressure leaks	1-18
1.5.4 Tire safety	1-19
1.5.5 Replacement parts	1-19
<b>1.6 Cylinder stops</b>	<b>1-20</b>
1.6.1 Engage the stop for the reel lift cylinder	1-20
1.6.2 Disengage the stop for the reel lift cylinder	1-20
1.6.3 Header lift cylinder stop	1-21
<b>1.7 Shields</b>	<b>1-22</b>
1.7.1 Draper drive shields	1-22
1.7.2 Auger shaft shield	1-22
1.7.3 End shields	1-22
1.7.4 Dividershield	1-23
1.7.5 Reel drive shield	1-24
<b>1.8 Safety and informational signs</b>	<b>1-25</b>
1.8.1 Operators manual	1-28
1.8.2 Warning - Hydraulic fluid pressure	1-28
1.8.3 Warning - Entanglement hazard	1-28
1.8.4 Warning - Crushing hazard	1-28
1.8.5 Warning - Crushing hazard	1-29
1.8.6 Informational decals	1-29
<b>1.9 Introduction</b>	<b>1-32</b>

1.9.1	Units of measurement	1-32
1.9.2	Replacement parts	1-32
1.9.3	Intended use	1-32
1.9.4	Recommended header/combine usage	1-32
1.9.5	Proper disposal of waste	1-32
<b>1.10</b>	<b>Machine identification</b>	<b>1-33</b>
1.10.1	Serial number plate	1-33
1.10.2	Serial number description	1-33
<b>1.11</b>	<b>Configure a header</b>	<b>1-35</b>
1.11.1	Required kits to install the header on the combines	1-35
1.11.2	Break in the header	1-36
1.11.3	Check draper belt	1-36
1.11.4	Parking stands	1-36
<b>1.12</b>	<b>Install the header</b>	<b>1-37</b>
<b>1.13</b>	<b>Remove the header</b>	<b>1-40</b>
<b>1.14</b>	<b>Reel speed</b>	<b>1-42</b>
<b>1.15</b>	<b>Cutterbar</b>	<b>1-43</b>
1.15.1	Lock and unlock the cutterbar	1-43
<b>1.16</b>	<b>Sickle storage</b>	<b>1-44</b>
<b>1.17</b>	<b>Header extremity lights</b>	<b>1-45</b>
<b>1.18</b>	<b>Flighting filler</b>	<b>1-46</b>
<b>1.19</b>	<b>Variable speed drive lockout</b>	<b>1-47</b>
1.19.1	Lockout variable speed drive	1-47
<b>1.20</b>	<b>Feeder chain speed</b>	<b>1-48</b>
<b>1.21</b>	<b>Draper maintenance</b>	<b>1-49</b>
1.21.1	Draper care	1-49
1.21.2	Remove clogged material from header	1-49
1.21.3	Draper speed	1-49
<b>1.22</b>	<b>Adjustments</b>	<b>1-50</b>
1.22.1	Synchronize the reel lift arms	1-50
1.22.2	Adjust the minimum reel lift height	1-50
1.22.3	Reel position	1-52
1.22.4	Adjust the roller chain	1-55
1.22.5	Adjust the cutterbar flex pressure - IDEAL	1-55
1.22.6	Adjust cutterbar flex pressure - 2009 and later axial combines	1-55
1.22.7	Adjust cutterbar flex pressure - 2003 to 2008 axial combines	1-56
1.22.8	Bleed air for the cutter flex system	1-57
1.22.9	Adjust the tine pitch	1-57
1.22.10	Adjust header pitch - IDEAL combines	1-58
1.22.11	Adjust the header pitch - 2009 and later axial combines	1-59
1.22.12	Adjust the auger	1-60
1.22.13	Adjust left and right draper tension	1-62
1.22.14	Adjust main drive belt tension	1-62
1.22.15	Adjust the center draper drive belt tension	1-63
1.22.16	Adjust auger drive belt tension	1-64
1.22.17	Adjust variable speed belt	1-65
1.22.18	Adjust reel speed sensors	1-65
1.22.19	Set the sickle time	1-65
<b>1.23</b>	<b>Specifications</b>	<b>1-67</b>
1.23.1	Header depth	1-67
1.23.2	Header width	1-68
1.23.3	Weight	1-68
1.23.4	Pick up reel	1-68
1.23.5	Reel drive	1-69
1.23.6	Reel height control	1-69

1.23.7	Cutterbar . . . . .	1-70
1.23.8	Sickle . . . . .	1-70
1.23.9	Header Pitch . . . . .	1-70
1.23.10	Side drapers . . . . .	1-71
1.23.11	Center drapers . . . . .	1-71
1.23.12	Center conveyor . . . . .	1-71
1.23.13	General lubrication . . . . .	1-71
1.23.14	Wheels . . . . .	1-72
1.23.15	Header transport . . . . .	1-72
<b>1.24</b>	<b>Lubrication and maintenance . . . . .</b>	<b>1-73</b>
1.24.1	Lubrication details . . . . .	1-73
1.24.2	Gear box oil level . . . . .	1-77
<b>1.25</b>	<b>Sealed chain . . . . .</b>	<b>1-79</b>
1.25.1	Lubricate and clean the sealed chain . . . . .	1-79
1.25.2	Roller chain maintenance . . . . .	1-79
1.25.3	Roller chain don'ts . . . . .	1-80
1.25.4	Adjust the roller chain . . . . .	1-81
<b>1.26</b>	<b>Header troubleshooting . . . . .</b>	<b>1-82</b>
1.26.1	Cutterbar . . . . .	1-82
1.26.2	Reel . . . . .	1-83
1.26.3	Draper . . . . .	1-84
1.26.4	Auger . . . . .	1-85
1.26.5	Float/reel valve assembly . . . . .	1-85
<b>1.27</b>	<b>Bolt torque values . . . . .</b>	<b>1-90</b>
<b>1.28</b>	<b>Conversion table . . . . .</b>	<b>1-92</b>
<b>1.29</b>	<b>Checklists . . . . .</b>	<b>1-95</b>
1.29.1	Daily checklist . . . . .	1-95
1.29.2	Before each season checklist . . . . .	1-95
1.29.3	End of season checklist . . . . .	1-95
<b>1.30</b>	<b>Special tools . . . . .</b>	<b>1-96</b>

---

## 1.1 General information

---

### 1.1.1 Introduction to this service manual

---

This service manual gives information from engineering tests, operating data, and the latest service techniques at the time of publication. Read this service manual carefully before doing any service on the machine.

The photos and illustrations used in this service manual were current at the time of publication. Production changes can cause machines to vary from the photos and the illustrations. The manufacturer reserves the right to redesign and change machines as necessary without notification.

**WARNING:**

**Some pictures in this manual show the machine with shields or guards removed to permit for a better view of the subject of the picture. All shields and guards must be in position before operating the machine.**

Machine movement when in normal use determines right-hand and left-hand.

---

### 1.1.2 Units of measurement

---

Measurements are given in metric units followed by the equivalent in US units. Hardware sizes are given in millimeters for metric hardware and inches for US hardware.

---

### 1.1.3 Table of contents

---

This manual has a table of contents at the front. The table of contents shows the divisions. The individual divisions also have a table of contents.

---

### 1.1.4 Page numbers

---

All pages have two numbers, such as 01-25. The first number shows the division. The second number shows the page in the division.

Page numbers occur on the lower right-hand or lower left-hand corner of each page.

---

### 1.1.5 Intended use

---

This machine is designed solely for use in customary agricultural operations.

Do not use this machine for any application or purpose other than those described in this manual. The manufacturer accepts no liability for damage or injury resulting from misuse of this machine.

Compliance with the conditions of operation, service and repair as specified by the manufacturer constitute essential elements for the intended use of this machine.

This machine should be operated, serviced and repaired only by qualified persons familiar with its characteristics and familiar with the relevant safety rules and procedures.

All generally recognized safety regulations and road traffic regulations must be obeyed at all times.

Any unauthorized modifications performed on this machine will relieve the manufacturer of all liability for any resulting damage or injury.

---

### 1.1.6 Proper disposal of waste

---

Improper disposal of waste can pollute the environment and ecology. A few examples of potentially harmful equipment waste can include, but not limited to, items such as oil, fuel, coolant, brake fluid, filters, battery chemicals, tires, etc.

Use leak proof containers when draining fluids. Do not use food or beverage containers to collect waste fluids, as food or beverage container(s) may mislead someone into drinking from them.

---

## *1. General*

---

Do not pour or spill waste onto the ground, down a drain, or into any water source.

Air conditioning refrigerants escaping into the air can damage the Earth's atmosphere. Government regulations may require a certified air conditioning service center to recover and recycle used air conditioning refrigerants.

Inquire with local environmental or recycling center on the proper way to recycle or dispose waste.

## 1.2 Safety

### 1.2.1 Safety symbol

The safety symbol tells you about a dangerous area!

Look for the safety symbol in this manual and on the machine. The safety symbols tell you that there is important safety instructions in the manual.



Fig. 1

### 1.2.2 Safety messages

The words DANGER, WARNING or CAUTION are used with the safety symbol. Learn these safety messages and obey the recommended precautions and safety instructions.



**DANGER:**  
If you do not obey the recommended precautions and safety instructions, DEATH OR INJURY will occur.



**WARNING:**  
If you do not obey the recommended precautions and safety instructions, DEATH OR INJURY can occur.



**CAUTION:**  
If you do not obey the recommended precautions and safety instructions, INJURY can possibly occur.



Fig. 2

### 1.2.3 Information messages

The words important and note are not related to personal safety, and are used to give information about the operation and servicing of the machine.

**IMPORTANT:** Identifies special instructions or procedures which, if not followed, can cause damage to the machine, the process, or the area around the machine.

**NOTE:** Information to make procedures easier.

### 1.2.4 Safety signs



**WARNING:**

Do not remove the safety signs. Replace safety signs that you cannot read, are damaged, or are missing. Clean the machine surface with a weak soap and water solution before you replace the safety signs. Replacement safety signs are available from your dealer.

Always make sure that safety signs are in the correct locations and that you can read the safety signs. Illustrations of safety sign locations are at in this section.

Keep the safety signs clean. If necessary, use a weak soap and water solution.

### 1.2.5 A word to the technician

Read and understand the safety section in this service manual before operating or servicing the machine. Read and understand the safety sections in the manuals for all attachments before operating or servicing attachments. The technician has the key to safety. Good safety practices protect everyone.

Study the safety information in this service manual. Make the safety information a working part of the safety program. The safety information in this service manual applies specifically to this type of machine. Always do all other usual and customary safe working precautions. Remember - The technician has the responsibility for safety. Good safety practices can prevent serious injury or death.

The safety section points out some basic safety situations that can occur during the operation and maintenance of the machine. The safety section also suggests possible ways to deal with these situations. The safety section does not replace safety practices in other parts of this service manual.

Practice good safety to help prevent injury or death.

Learn how to operate the machine and how to use the controls correctly.

Do not let other persons operate the machine without instruction and training.

Follow all safety precautions and instructions in the manuals and on safety signs affixed to the machine and all attachments.

Use only approved attachments and equipment.

Make sure the machine has the correct equipment needed by the local regulations.

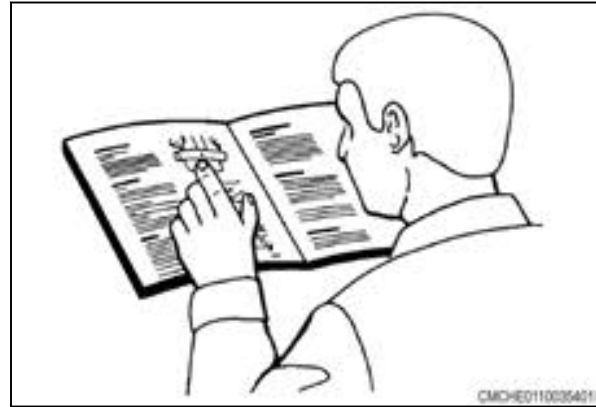


Fig. 3



**WARNING:**

**An operator should not use alcohol or drugs which can affect their alertness or coordination. An operator on prescription or 'over the counter' drugs needs medical advice on whether or not they can properly operate machines. If any attachments used on this equipment have a separate Operator Manual, see that manual for other important safety information.**

---

## 1.2.6 The service manual

---

Read the table of contents and basic layout. Become familiar with all parts of this service manual. This service manual gives the technician very important information.

Machine movement when in normal use determines right-hand and left-hand.

This manual covers general safety practices for this machine.

The photos, illustrations, and data used in this manual were current at the time of printing. Inline production changes can make machines vary from the information in the service manual. The manufacturer reserves the right to redesign and change the machine as necessary without notification.



**WARNING:**

**In some of the illustrations and photos used in this manual, shields or guards may have been removed for clarity. Never operate the machine with any shields or guards removed. If the removal of shields or guards is necessary to make a repair, they must be replaced before operation.**



**Thank you very much for your reading. Please Click Here. Then Get COMPLETE MANUAL. NO WAITING**



**NOTE:**

**If there is no response to click on the link above, please download the PDF document first and then click on it.**

## 1.3 Operation

### 1.3.1 Prepare for operation

Read and understand the operating instructions and precautions in this manual before you operate or do servicing on the machine.

Make sure that you know and understand the positions and operations of all controls. Make sure that all controls are in neutral and the parking brake is applied before you start the machine.

Make sure that all persons are a sufficient distance from your area of work before you start or operate the machine. Do checks on the controls and learn all controls in an area clear of persons and objects before you start work with the machine. Know the dimensions of the machine and have sufficient space available for operation. Do not operate the machine at high speeds around persons, buildings, other equipment, etc.

Always use correct procedures when you do tasks around and operate the machine. Do not let children or persons who do not know how to operate the machine operate the machine. Keep other persons away from your area of work. Do not let other persons ride on the machine.

Make sure that the machine is in the good mechanical condition. Make sure that the machine has the correct equipment as necessary by local regulations.

All equipment has a limit. Make sure you understand the speed, brakes, steering, stability, and load characteristics of this equipment before you start.

### 1.3.2 General information

When parking, park the machine on a solid level surface and lower the header to the ground. Put all controls in neutral, and apply the park brake. Stop the tractor engine and take the key with you.



**WARNING:**  
**Do not leave the machine unattended with the header raised. Lower the header fully before leaving the machine. A sudden loss of hydraulic pressure can cause the header to drop without warning.**

Make sure the machine is in the proper operating condition according to the Operator Manual.

Always operate the machine with the control console turned on.

Do not dismount from moving machinery.

Stay off slopes too steep for operation.

Be aware of the size of the machine and have enough space available to allow for operation.

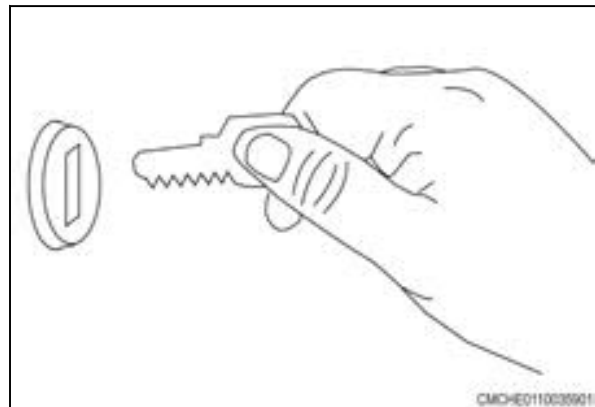


Fig. 4

Stay off slopes too steep for operation. Keep the header as low as possible while going down hills. Never suddenly reverse the wheels to stop or back up.

Where possible avoid operating the machine near ditches, embankments, and holes. Reduce ground speed when operating on rough, slippery, or muddy surfaces and when turning or crossing slopes.

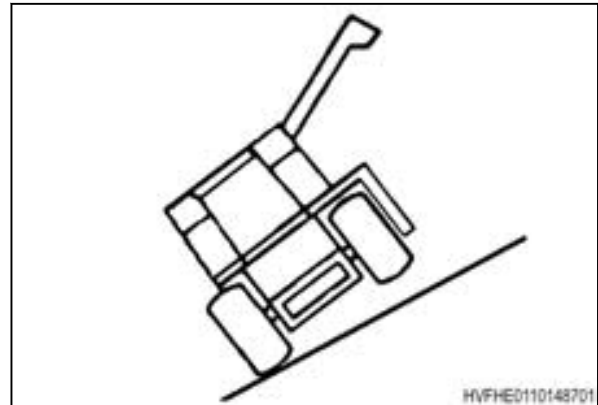


Fig. 5

Avoid contact with electrical power lines. Contact with electrical power lines can cause electrical shock, resulting in very serious injury or death.

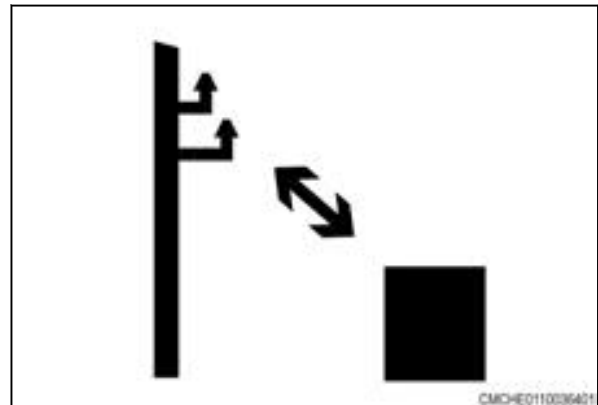


Fig. 6

### 1.3.3 Personal protective equipment

Put on all personal protective equipment (PPE) and protective clothes that are supplied to you or that are necessary for the conditions and by applicable laws. PPE includes equipment to prevent injury to your eyes, lungs, ears, head, hands and feet.

Always keep hands, feet, hair, and your clothes away from parts that move. Do not put on loose clothing, jewelry, watches, or other items that can tangle in parts that move. Tie up long hair that can also tangle in moving parts.

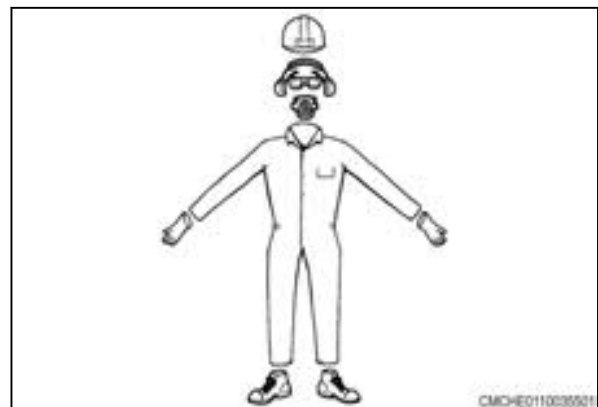


Fig. 7

### 1.3.4 Seat instructions

Put on the seat belt before you operate the machine. Always sit in the seat and have the seat belt on while you operate the machine. Replace the seat belts when they become worn or broken.

Do not use a seat belt loosely. Make sure that there is some tension on the seat belt. Do not wear the seat belt in a twisted condition or pinched between the structural parts of the seat.

Put on the seat belt if the instructional seat is used. Use the instructional seat only to train new operators or to find a problem. The instructional seat is only for short periods of use.

Do not let children use the instructional seat or be in the cab. Do not let other persons use the instructional seat or be in the cab.

Drive the machine at slower speed and on level ground when the instructional seat is used. Do not start, stop, or turn quickly when the instructional seat is used. Do not drive on highways or public roads when the instructional seat is used.

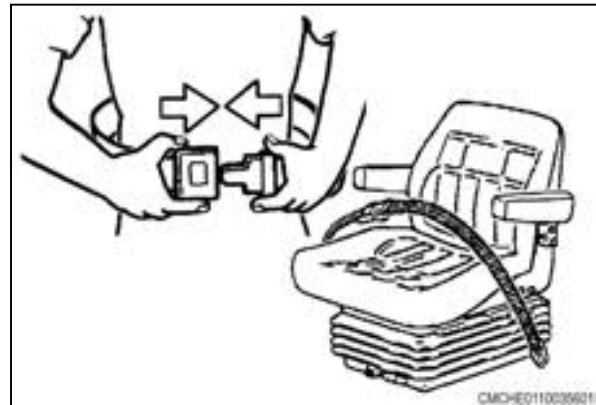


Fig. 8

### 1.3.5 Shield and guards

All shields and guards must be in the correct position and in good condition.

Do not open, remove, or put your hand behind shields while the engine is in operation. Belts and components that turn can cause entanglement, which can cause injury and death. Keep away from the components that turn.



Fig. 9

Do not operate the machine with the drive shaft shields open or removed. Entanglement in drive shafts that turn can cause injury or death. Keep away from the components that turn.

Make sure guards that turn are free.



Fig. 10

### 1.3.6 Exhaust warning

Do not operate the engine in a closed building unless the exhaust is vented to the outside.

Do not tamper with or modify the exhaust system with unapproved extensions.



Fig. 11

### 1.3.7 Flying debris



**WARNING:**  
Be careful when you operate along the side of a road or structures. Rocks and other materials can be thrown from the machine during operation and can cause injury.

Stay away from the machine during operation. Some materials can be thrown from the machine during operation and cause injury.



Fig. 12

### 1.3.8 Handrails

Point your body in the direction of the ladder and use the handrails when you are on the machine ladders.



Fig. 13

### 1.3.9 Agricultural chemicals

Agricultural chemicals are very dangerous. Incorrect procedures with fertilizer, fungicides, herbicides, insecticides and pesticides can cause injuries to plants, animals, soil and other persons property.

Always read and follow all manufacturers instructions before you open chemical containers.