



E80MSR NEW HOLLAND KOBELCO

Parts
Catalog

Catalogo
parti
di ricambio

Catalogue
des pièces
détachées

Ersatzteilkatalog

Catálogo
de piezas
de repuesto

Parts Catalog

Catalogo parti
di ricambio

Catalogue
des pièces
détachées

Ersatzteilkatalog

Catálogo
de piezas
de repuesto

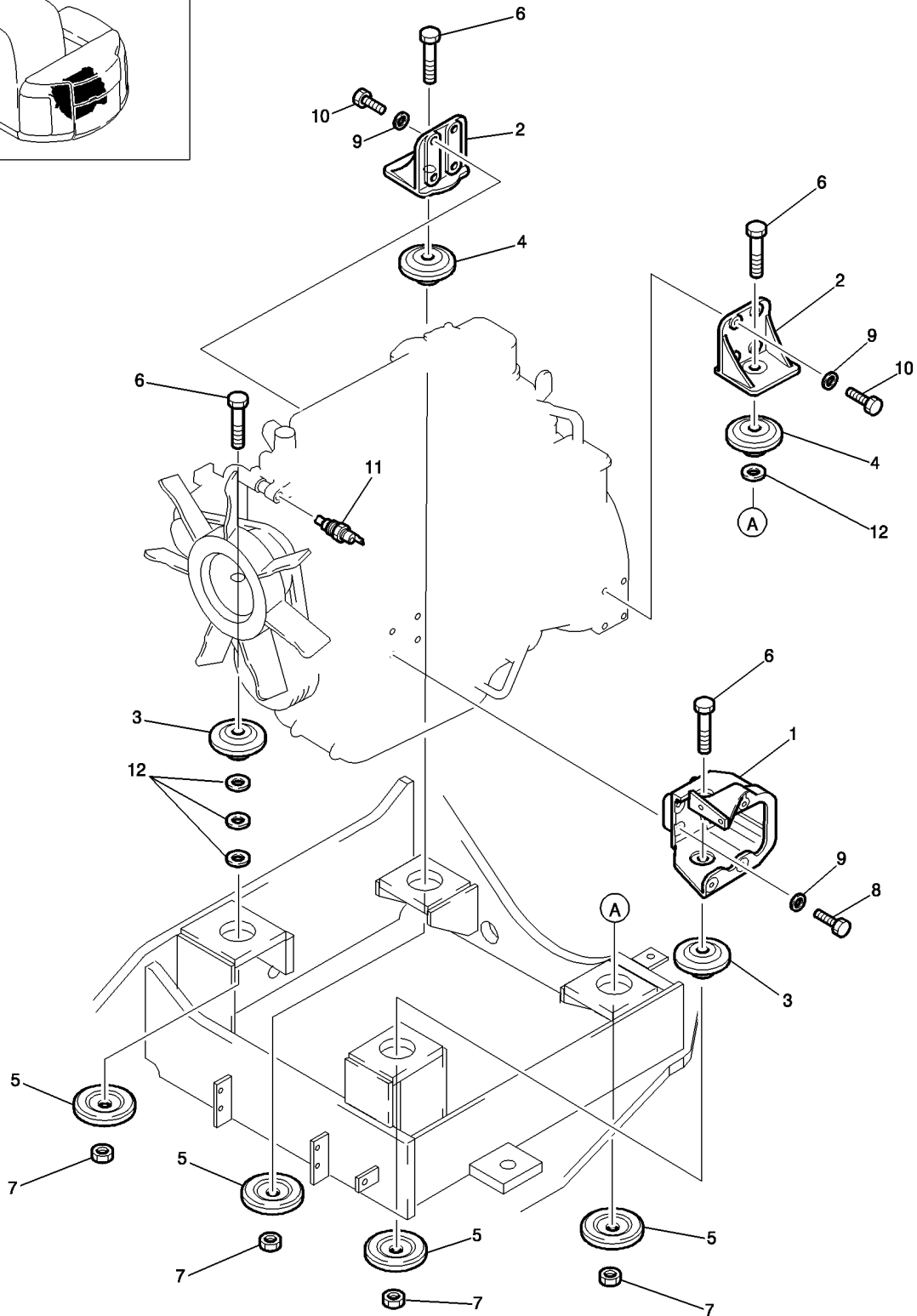
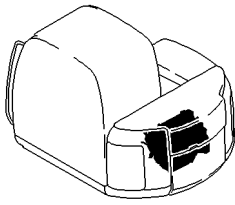
Print No 604.04.259.02
Printed in Italy

SECTION INDEX

Engine

0 - FILTERS	00	MAINTENANCE PARTS
0 - VERSION	00	IDENTIFICATION AND VERSION LIST
0.000	01	ENGINE SUSPENSIONS
0.001	01	AIR CLEANER
0.001	02	AIR CLEANER
0.002	01	MUFFLER
0.003	01	RADIATOR
0.003	02	RADIATOR - COMPONENTS
0.004	01	ACCELERATOR CONTROLS
0.021	01	ENGINE
0.021	02	ENGINE
0.040	01	CRANKCASE
0.042	01	ENGINE OIL SUMP
0.043	01	CRANKCASE COVERS
0.060	01	CYLINDER HEAD
0.060	02	CYLINDER HEAD
0.071	01	INTAKE MANIFOLD
0.077	01	EXHAUST MANIFOLD
0.080	01	CAMSHAFT AND VALVE
0.080	02	CRANKSHAFT, PISTON AND FLYWHEEL
0.149	01	INJECTION EQUIPMENT
0.149	02	INJECTION EQUIPMENT
0.149	03	INJECTION PUMP - COMPONENTS
0.149	04	INJECTION PUMP - COMPONENTS
0.149	05	INJECTION PUMP - COMPONENTS
0.149	06	INJECTION EQUIPMENT
0.149	07	INJECTION EQUIPMENT
0.200	01	FUEL FILTER
0.200	02	FUEL FILTER
0.200	03	FUEL FILTER
0.203	01	PIPING - FUEL
0.302	01	OIL FILTERS - ENGINE
0.305	01	PIPING - ENGINE OIL
0.323	01	VENTILATION SYSTEM
0.326	01	THERMOSTAT - ENGINE COOLING SYSTEM
0.340	01	WATER PUMP - CONTROL
0.340	02	WATER PIPING; ENGINE
0.360	01	STARTER MOTOR
0.360	02	STARTER MOTOR - COMPONENTS
0.400	01	ALTERNATOR
0.400	02	ALTERNATOR - COMPONENTS
0.450	01	HOOKS - ENGINE

ENGINE SUSPENSIONS
SOSPENSIONI MOTORE
MOTORAUFGAENGUNG
SUSPENSIONS DU MOTEUR



0.000

01

p1

12/05

ANCLAJES MOTOR
ENGINE SUSPENSIONS
ENGINE SUSPENSIONS
ENGINE SUSPENSIONS

R	N	P.N.	MOD	Q	Description Denominacion	Descrizione Beskrivelse	Bezeichnung Denominação	Description Beschrijving	L.C.
1		72954438		1	BRACKET PIEZA DE SOPORTE	STAFFA BESLAG	KONSOLE BRACADEIRA	PATTE FIXATION STEUNBEUGEL	225S
2		72954212		2	BRACKET PIEZA DE SOPORTE	STAFFA BESLAG	KONSOLE BRACADEIRA	PATTE FIXATION STEUNBEUGEL	225S
3		72954439		2	MOUNTING, RUBBER TEJUELO, GOMA	SUPPORTO, DI GOMMA MONTERINGSGUMMIBØ	GUMMIHALTERUNG MONTAGEM DE BORRA	PALIER CAOUTCHOUC BEVESTIGING, RUBBER	P777
4		72954795		2	SHOCK ABSORBER AMORTIGUADOR	AMMORTIZZATORE STOEDDAEMPER	DÄMPFER AMORTECEDOR	AMORTISSEUR SCHOKDEMPEUR	036A
5		YW02P01004P1		4	MOUNT, ENGINE SOPORTE MOTOR	SUPPORTO MOTORE MOTOROPHÆNG	MOTORAUFHÄNGUNG SUORTE DE MOTOR	SUPPORT MOTEUR MOTORSTEUN	299S
6		72954882		4	SCREW TORNILLO	VITE SKRUE	SCHRAUBE PARAFUSO	VIS SCHROEF	040V
7		ZN18C18015		4	NUT TUERCA	DADO MOETRIK	MUTTER PORCA	ECROU MOER	010D
8		72954887		4	SCREW TORNILLO	VITE SKRUE	SCHRAUBE PARAFUSO	VIS SCHROEF	040V
9		47045385		12	WASHER ARANDELA	ROSETTA PIANA FLADSKIVE	UNTERLEGSCHIEBE ANILHA	RONDELLE SLUITRING	131R
10		ZS18C10035		8	SCREW TORNILLO	VITE SKRUE	SCHRAUBE PARAFUSO	VIS SCHROEF	040V
11		YT52S00001P1		1	SENSOR SENSOR	SENSORE FØLER	SENSOR SENSOR	CAPTEUR SENSOR	608S
12		YW02P01005D1		4	SHIM SUPLEMENTO	SPESSORE MELLEMLÆG	UNTERLEGSCHIEBE CALCO DE AFINACAO	CALE D'EPaisseur DIKTEPLAAT	198S

E80MSR

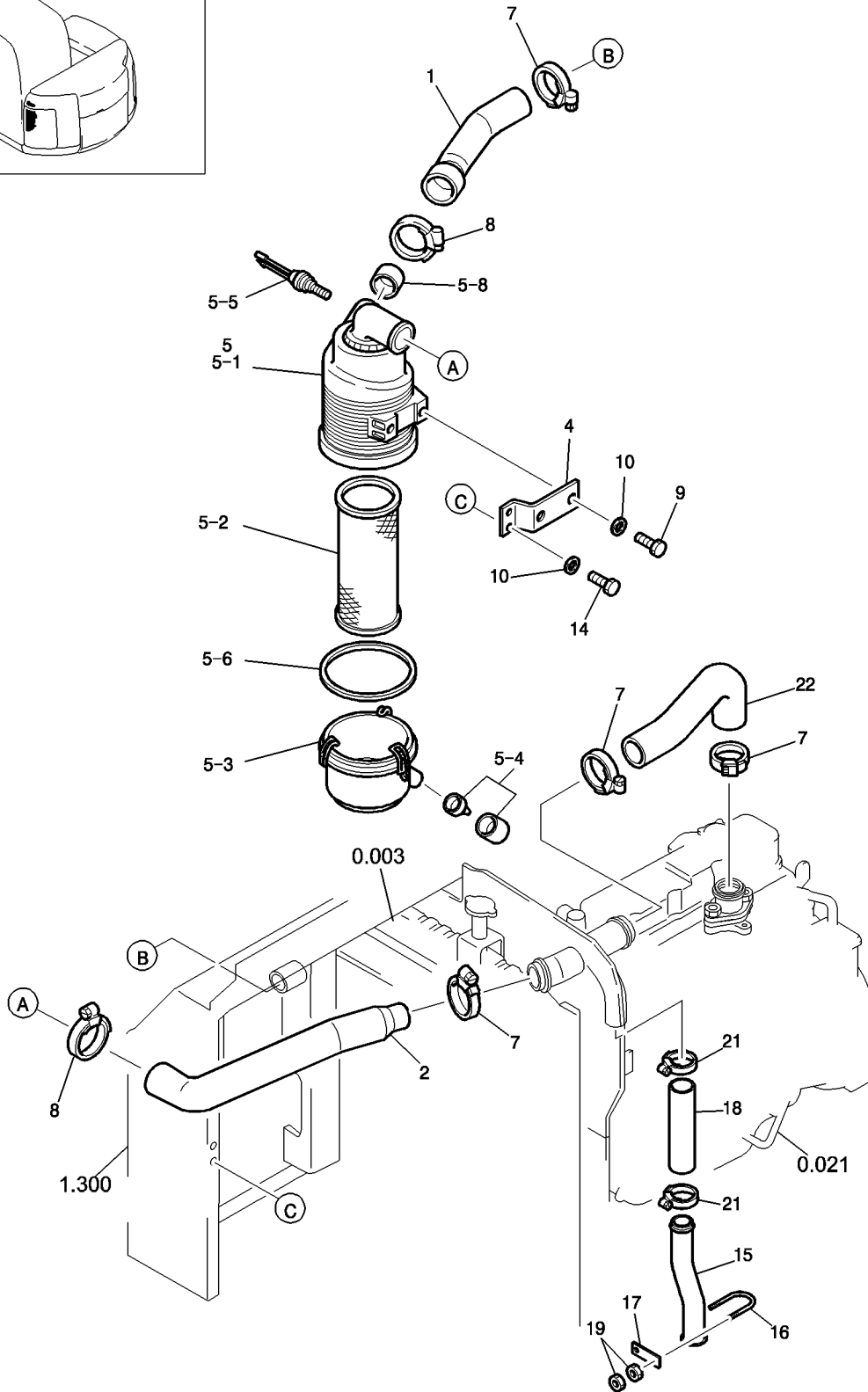
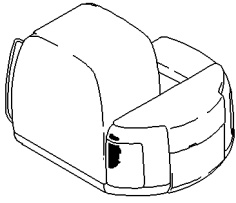
0.001

01

p1

12/05

AIR CLEANER
FILTRO ARIA
LUFTFILTER
FILTRE A AIR

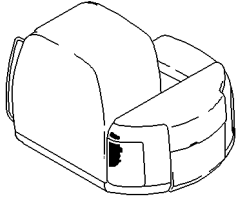


FILTRO DE AIRE
AIR CLEANER
AIR CLEANER
AIR CLEANER

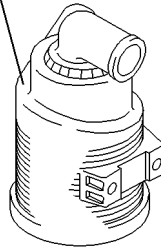
R	N	P.N.	MOD	Q	Description Denominacion	Descrizione Beskrivelse	Bezeichnung Denominação	Description Beschrijving	L.C.
1		YT11P01010P1		1	HOSE	MANICOTTO FLESSIBILE	SCHLAUCH	FLEXIBLE	030M
					MANGA	SLANGE	TUBO FLEXIVEL	FLEXIBELE BUIS	
2		72954503		1	HOSE	MANICOTTO FLESSIBILE	SCHLAUCH	FLEXIBLE	030M
					MANGA	SLANGE	TUBO FLEXIVEL	FLEXIBELE BUIS	
4		72954502		1	BRACKET	STAFFA	KONSOLE	PATTE FIXATION	225S
					PIEZA DE SOPORTE	BESLAG	BRACADEIRA	STEUNBEUGEL	
5		72954500		1	FILTER, AIR	FILTRO ARIA	LUFTFILTER	FILTRE A AIR	066F
					FILTRO DE AIRE	LUFTFILTER	FILTRO DE AR	LUCHTFILTER	
5-1		72960696		1	BODY	CORPO	KOERPER	CORPS	300C
					CUERPO	HUS	CORPO	LICHAAM	
5-2		72957472		1	FILTER, ELEMENT	ELEMENTO DEL FILTRO	FILTERELEMENT	ÉLÉMENT FILTRANT	020E
					ELEMENTO DE FILTRAD	FILTERELEMENT	ELEMENTO DE FILTRO	FILTERELEMENT	
5-3		72960697		1	COVER	COPERCHIO	ABDECKUNG	COUVERCLE	265C
					TAPADERA	DÆKSEL	COBERTA	DEKSEL	
5-4		YT11P00002S004		1	VALVE	VALVOLA	VENTIL	SOUPAPE	9620
					VALVULA	VENTIL	VALVULA	KLEP	
5-5		YR11P00008S005		1	INDICATOR	SEGNALATORE	ZEIGER	INDICATEUR	087S
					TESTIGO	INDIKATOR	INDICADOR	AANWIJZER	
5-6		YT11P00002S006		1	O-RING	ANELLO TOROIDALE	O-RING	JOINT THORIQUE	055A
					JUNTA HERMETICA	O-RING	O-RING	O-RING	
5-8		72960700		1	RING	ANELLO	RING	ANNEAU	045A
					ANILLO	RING	ANEL	RING	
7		ZC16X06100		4	CLIP	FERMAGLIO	KLEMME	CLIP	045F
					SUJETADOR	KLIPS	FIXADOR	KLEM	
8		ZC16X07000		2	CLIP	FERMAGLIO	KLEMME	CLIP	045F
					SUJETADOR	KLIPS	FIXADOR	KLEM	
9		ZS18C08016		2	SCREW, Hex, M8 x 16	VITE	SCHRAUBE	VIS	040V
					TORNILLO	SKRUE	PARAFUSO	SCHROEF	
10		ZW16X08000		4	WASHER	ROSETTA PIANA	UNTERLEGSCHIEBE	RONDELLE	131R
					ARANDELA	FLADSKIVE	ANILHA	SLUITRING	
14		72951685		2	SCREW	VITE	SCHRAUBE	VIS	040V
					TORNILLO	SKRUE	PARAFUSO	SCHROEF	
15		72150953		1	PIPE	TUBO	ROHR	TUYAU	200T
					CUELLO DE CARGA	PAAFYLDNINGSSTUDS	TUBO DE ENCHIMENTO	OPVULPIJP	
16		72950377		1	U-BOLT	CAVALLOTTO	BÜGELSCHRAUBE	CAVALIER	100C
					HORQUILLA	HAARNAAL	MOLA DE ENGATE	VEERKLEM	
17		72150513		1	SPACER	DISTANZIALE	DISTANZSTÜCK	ENTRETOISE	075D
					SEPARADOR	AFSTANDSSTYKKE	ESPACADOR	AFSTANDSRING	
18		72150514		1	HOSE	MANICOTTO FLESSIBILE	SCHLAUCH	FLEXIBLE	030M
					MANGA	SLANGE	TUBO FLEXIVEL	FLEXIBELE BUIS	
19		72210038		4	NUT	DADO	MUTTER	ECROU	010D
					TUERCA	MOETRIK	PORCA	MOER	
21		72951591		2	CLIP	FERMAGLIO	KLEMME	CLIP	045F
					SUJETADOR	KLIPS	FIXADOR	KLEM	
22		72957230		1	HOSE	MANICOTTO FLESSIBILE	SCHLAUCH	FLEXIBLE	030M
					MANGA	SLANGE	TUBO FLEXIVEL	FLEXIBELE BUIS	

E80MSR

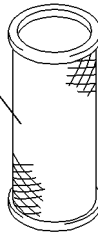
AIR CLEANER
FILTRO ARIA
LUFTFILTER
FILTRE A AIR



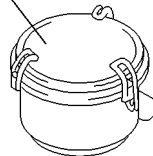
PAGE 1



PAGE 1



PAGE 1



0.001

02

p1

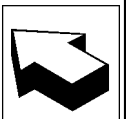
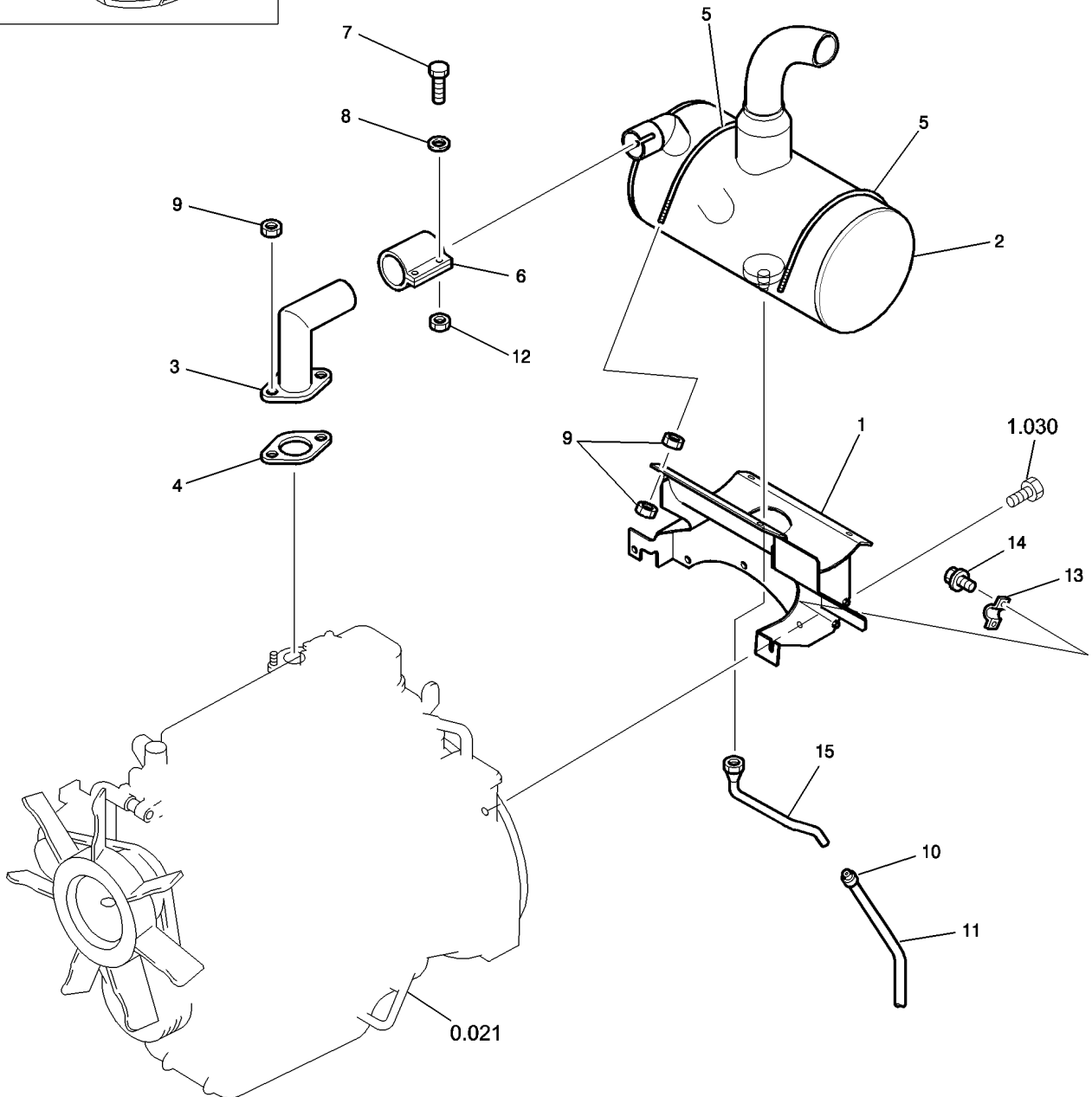
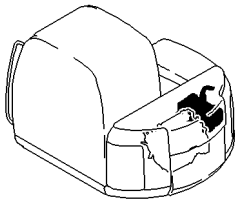
12/05

FILTRO DE AIRE
AIR CLEANER
AIR CLEANER
AIR CLEANER

R	N	P.N.	MOD	Q	Description Denominacion	Descrizione Beskrivelse	Bezeichnung Denominação	Description Beschrijving	L.C.
1		LE11P01016P1		1	FILTER FILTRO	FILTRO FILTER	FILTER FILTRO	FILTRE FILTER	065F

E80MSR

MUFFLER
 SILENZIATORE
 SCHALLDAEMPFER
 SILENCIEUX

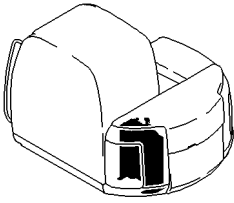


SILENCIADOR
MUFFLER
MUFFLER
MUFFLER

R	N	P.N.	MOD	Q	Description Denominacion	Descrizione Beskrivelse	Bezeichnung Denominação	Description Beschrijving	L.C.
1		72150509		1	BRACKET PIEZA DE SOPORTE	STAFFA BESLAG	KONSOLE□ BRACADEIRA	PATTE FIXATION STEUNBEUGEL	225S
2		72150510		1	MUFFLER SILENCIADOR	SILENZIATORE LYDDAEMPER	SCHALLDÄMPFER□ SILENCIADOR	SILENCIEUX KNALPOT	160S
3		YT12P01003P1		1	TUBE TUBO	TUBETTO RØR	ROHR□ TUBO	TUBE BUISJE	195T
4		72150949		1	GASKET JUNTA HERMETICA	GUARNIZIONE PAKNING	DICHTUNG, FLACH JUNTA	JOINT DICHTINGSSTUK	123G
5		72150511		2	U-BOLT HORQUILLA	CAVALLOTTO HAARNAAL	BÜGELSCHRAUBE□ MOLA DE ENGATE	CAVALIER VEERKLEM	100C
6		YT12P01007P1		1	CLAMP BORNE	MORSETTO SPÆNDEBÅND	KLEMME BORNE	BRIDE KLEM	120M
7		ZS18C10035		2	SCREW TORNILLO	VITE SKRUE	SCHRAUBE PARAFUSO	VIS SCHROEF	040V
8		14496624		2	WASHER, M10 x 21 x 2 ARANDELA	ROSETTA PIANA FLADSKIVE	UNTERLEGSCHIEBE ANILHA	RONDELLE SLUITRING	131R
9		72210038		10	NUT TUERCA	DADO MOETRIK	MUTTER PORCA	ECROU MOER	010D
10		ZC16X01200		1	CLIP SUJETADOR	FERMAGLIO KLIPS	KLEMME□ FIXADOR	CLIP KLEM	045F
11		HX11Y07050DX		1	HOSE MANGA	MANICOTTO FLESSIBILE SLANGE	SCHLAUCH TUBO FLEXIVEL	FLEXIBLE FLEXIBELE BUIS	030M
12		ZN18C10008		2	NUT TUERCA	DADO MOETRIK	MUTTER PORCA	ECROU MOER	010D
13		72954510		1	CLAMP BORNE	MORSETTO SPÆNDEBÅND	KLEMME BORNE	BRIDE KLEM	120M
14		ZM66C06020		2	BOLT TORNILLO	BULLONE SKRUE	SCHRAUBE PARAFUSO	BOULON BOUT	140B
15		72954512		1	TUBE TUBO	TUBETTO RØR	ROHR□ TUBO	TUBE BUISJE	195T

E80MSR

RADIATOR
RADIATORE
KÜHLER
RADIATEUR



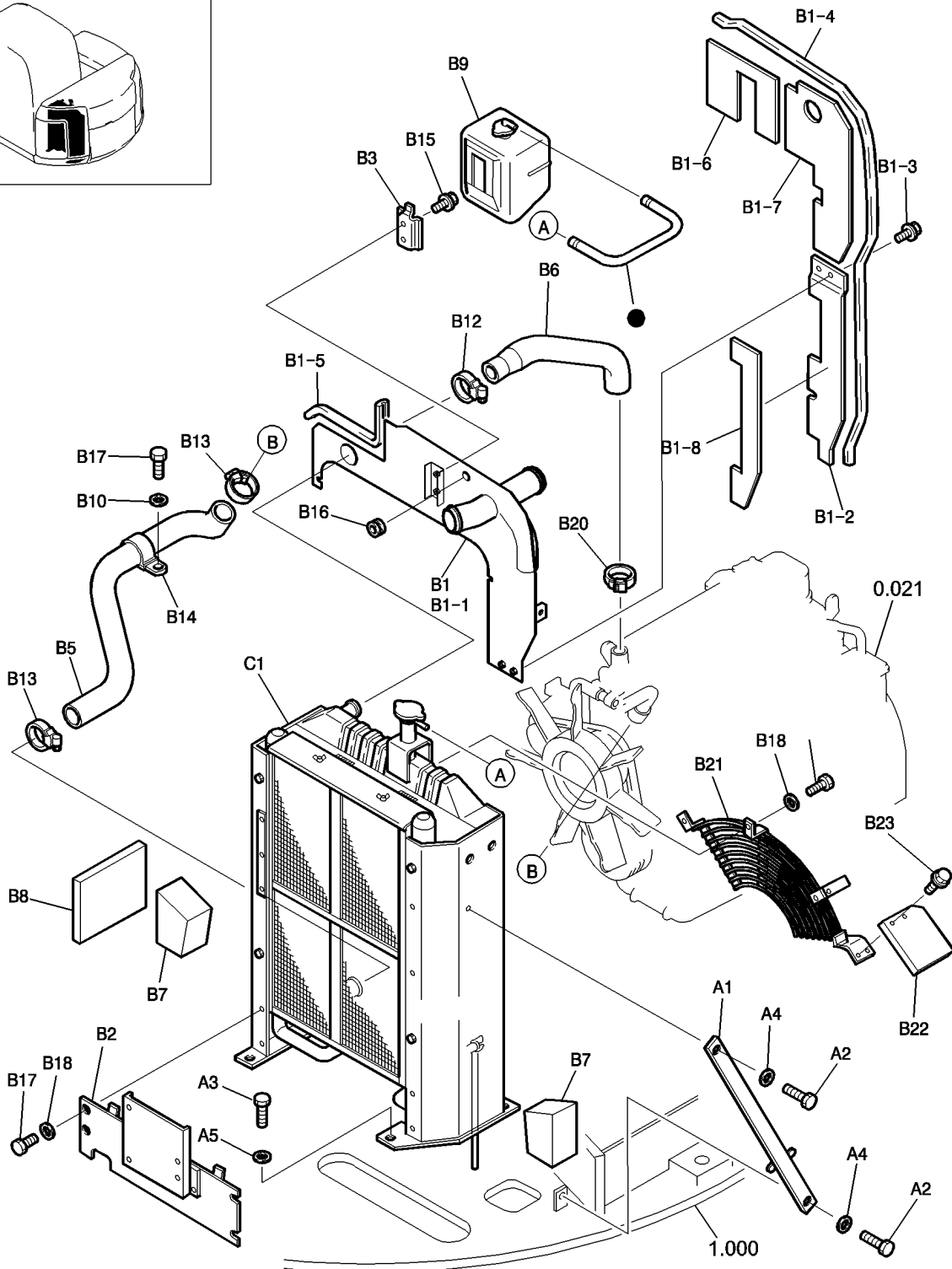
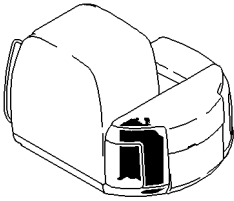
PARTS MARKED ● ARE NOT SUPPLIED AS SPARES
I PARTICOLARI CONTRASSEGNA TI CON ● NON
VENGONO FORNITI DI RICAMBIO

RADIADOR
RADIATOR
RADIATOR
RADIATOR

R	N	P.N.	MOD	Q	Description Denominacion	Descrizione Beskrivelse	Bezeichnung Denominação	Description Beschrijving	L.C.
A1		72954485		1					P357
A2		ZS18C10025		2	SCREW, Hex, M10 x 25 TORNILLO	VITE SKRUE	SCHRAUBE PARAFUSO	VIS SCHROEF	040V
A3		ZS18C12030		4	SCREW TORNILLO	VITE SKRUE	SCHRAUBE PARAFUSO	VIS SCHROEF	040V
A4		47045385		2	WASHER ARANDELA	ROSETTA PIANA FLADSKIVE	UNTERLEGSCHIEBE ANILHA	RONDELLE SLUITRING	131R
A5		14496724		4	WASHER, M12 x 24 x 2.5 ARANDELA	ROSETTA PIANA FLADSKIVE	UNTERLEGSCHIEBE ANILHA	RONDELLE SLUITRING	131R
B1		72150503		1	BRACKET PIEZA DE SOPORTE	STAFFA BESLAG	KONSOLE BRACADEIRA	PATTE FIXATION STEUNBEUGEL	225S
B1-1		72150504		1	BRACKET PIEZA DE SOPORTE	STAFFA BESLAG	KONSOLE BRACADEIRA	PATTE FIXATION STEUNBEUGEL	225S
B1-2		72957357		1	PLATE PLACA	PIASTRA PLADE	BLECH, PLATTE CHAPA	PLAQUE PLAAT	105P
B1-3		72951648		2	SCREW TORNILLO	VITE SKRUE	SCHRAUBE PARAFUSO	VIS SCHROEF	040V
B1-4		72957341		1	WEATHERSTRIP REBORDE DE GOMA	BORDINO DI GOMMA TÆTNINGSLISTE, GUMM	DICHTSTREIFEN BORRACHA DE PARABR	JOINT PAREBRISE RUBBEREN SLIJTSTRIP	105B
B1-5		72957190		1	WEATHERSTRIP, RUBBER PERFIL DE GOMA	PROFILATO DI GOMMA GUMMIPROFIL	ABDICHTGUMMI PERFIL DE BORRACHA	PROFILE CAOUTCHOUC RUBBERENPROFIEL	216P
B1-6		72150505		1	INSULATION, FOAM ESPUMA AISLANTE	SCHIUMA ISOLANTE SKUM ISOLERING	ISOLIERSCHAUM ESPUMA ISOLANTE	MOUSSE ISOLANTE ISOLATIESCHUIM	051S
B1-7		72150506		1	INSULATION, FOAM ESPUMA AISLANTE	SCHIUMA ISOLANTE SKUM ISOLERING	ISOLIERSCHAUM ESPUMA ISOLANTE	MOUSSE ISOLANTE ISOLATIESCHUIM	051S
B1-8		72150507		1	INSULATION, FOAM ESPUMA AISLANTE	SCHIUMA ISOLANTE SKUM ISOLERING	ISOLIERSCHAUM ESPUMA ISOLANTE	MOUSSE ISOLANTE ISOLATIESCHUIM	051S
B2		72954488		1	BRACKET PIEZA DE SOPORTE	STAFFA BESLAG	KONSOLE BRACADEIRA	PATTE FIXATION STEUNBEUGEL	225S
B3		72954115		1	BRACKET PIEZA DE SOPORTE	STAFFA BESLAG	KONSOLE BRACADEIRA	PATTE FIXATION STEUNBEUGEL	225S
B5		YT05P01020P1		1	HOSE MANGA	MANICOTTO FLESSIBILE SLANGE	SCHLAUCH TUBO FLEXIVEL	FLEXIBLE FLEXIBELE BUIS	030M
B6		YT05P01045P1		1	HOSE MANGA	MANICOTTO FLESSIBILE SLANGE	SCHLAUCH TUBO FLEXIVEL	FLEXIBLE FLEXIBELE BUIS	030M
B7		72954484		2	INSULATION, FOAM ESPUMA AISLANTE	SCHIUMA ISOLANTE SKUM ISOLERING	ISOLIERSCHAUM ESPUMA ISOLANTE	MOUSSE ISOLANTE ISOLATIESCHUIM	051S
B8		72954483		1	INSULATION, FOAM ESPUMA AISLANTE	SCHIUMA ISOLANTE SKUM ISOLERING	ISOLIERSCHAUM ESPUMA ISOLANTE	MOUSSE ISOLANTE ISOLATIESCHUIM	051S
B9		YT05P01041F1		1	TANK DEPOSITO	SERBATOIO TANK	TANK DEPOSITO	RESERVOIR TANK	115S
B10		72209113		1	WASHER ARANDELA	ROSETTA PIANA FLADSKIVE	UNTERLEGSCHIEBE ANILHA	RONDELLE SLUITRING	131R
B12		ZC16X03900		1	CLIP SUJETADOR	FERMAGLIO KLIPS	KLEMME FIXADOR	CLIP KLEM	045F
B13		ZC16X04500		2	CLIP SUJETADOR	FERMAGLIO KLIPS	KLEMME FIXADOR	CLIP KLEM	045F

E80MSR

RADIATOR
 RADIATORE
 KÜHLER
 RADIATEUR



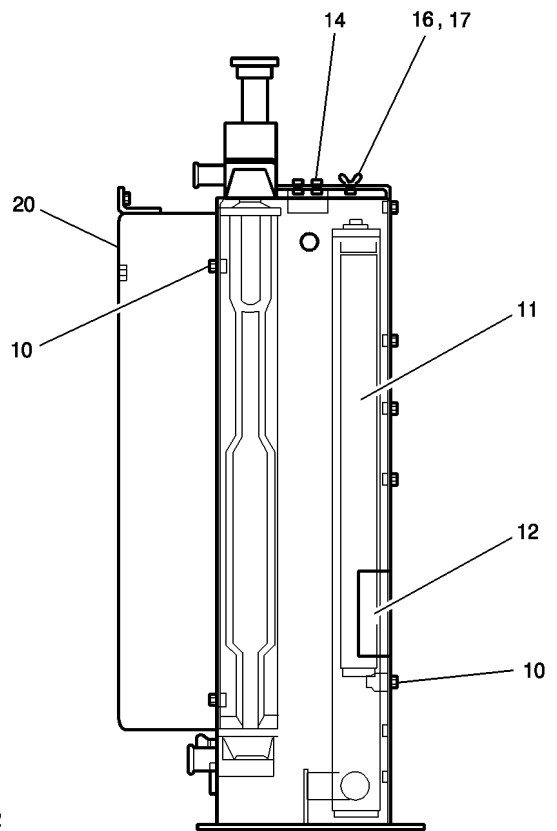
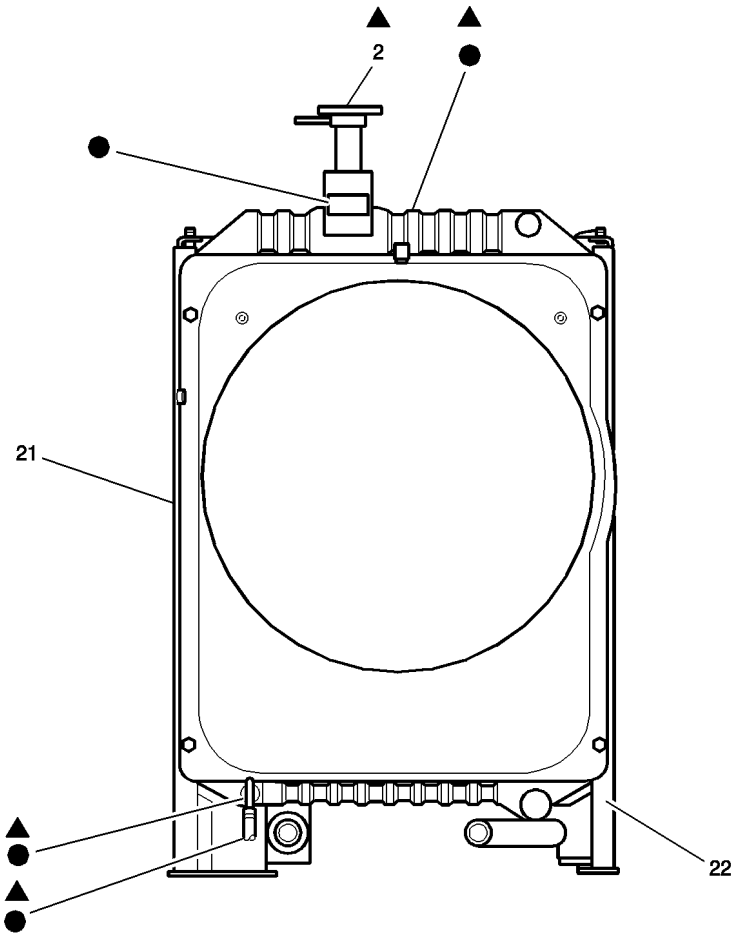
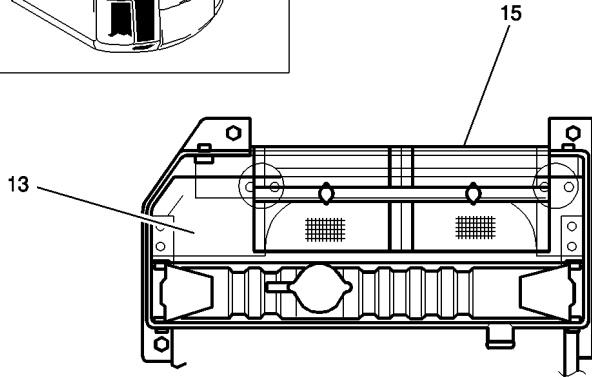
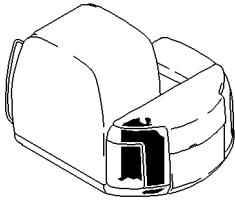
PARTS MARKED ● ARE NOT SUPPLIED AS SPARES
 I PARTICOLARI CONTRASSEGNA TI CON ● NON
 VENGONO FORNITI DI RICAMBIO

RADIADOR
RADIATOR
RADIATOR
RADIATOR

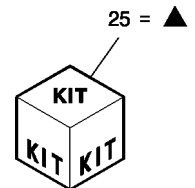
R	N	P.N.	MOD	Q	Description Denominacion	Descrizione Beskrivelse	Bezeichnung Denominação	Description Beschrijving	L.C.
B14		72954158		1	CLIP SUJETADOR	FERMAGLIO KLIPS	KLEMME FIXADOR	CLIP KLEM	045F
B15		72951648		2	SCREW TORNILLO	VITE SKRUE	SCHRAUBE PARAFUSO	VIS SCHROEF	040V
B16		72954139		1	GROMMET PASACABLES	ANELLO PASSACAVO RING	TÜLLE CASQUILHO ISOLADOR	PASSE-FIL KABELDOORGANG	131A
B17		72951685		5	SCREW TORNILLO	VITE SKRUE	SCHRAUBE PARAFUSO	VIS SCHROEF	040V
B18		{72150952}		7					
B19		ZS18C08016		3	SCREW, Hex, M8 x 16 TORNILLO	VITE SKRUE	SCHRAUBE PARAFUSO	VIS SCHROEF	040V
B20		72951591		1	CLIP SUJETADOR	FERMAGLIO KLIPS	KLEMME FIXADOR	CLIP KLEM	045F
B21		72954489		1	GUARD DEFENSA	RIPARO BESKYTTESSKAERM	SCHUTZEINRICHTUNG PROTECCAO	GARANT AFSCHERMING	070R
B22		72954486		1	PLATE PLACA	PIASTRA PLADE	BLECH, PLATTE CHAPA	PLAQUE PLAAT	105P
B23		ZM22C08020		2	BOLT TORNILLO	BULLONE SKRUE	SCHRAUBE PARAFUSO	BOULON BOUT	140B
C1		72150499		1	RADIATOR, - ASSY SEE PAGE 2 RADIADOR	RADIATORE KØLER	KÜHLER ARREFECEDOR	RADIATEUR RADIATORKOELER	025R

E80MSR

RADIATOR - COMPONENTS
RADIATORE - COMPONENTI
KÜHLER - BESTANDTEILE
RADIATEUR - COMPOSANTS



PARTS MARKED ● ARE NOT SUPPLIED AS SPARES
I PARTICOLARI CONTRASSEGNA TI CON ● NON
VENGONO FORNITI DI RICAMBIO



RADIADOR - COMPONENTES
 RADIATOR - COMPONENTS
 RADIATOR - COMPONENTS
 RADIATOR - COMPONENTS

R	N	P.N.	MOD	Q	Description Denominacion	Descrizione Beskrivelse	Bezeichnung Denominação	Description Beschrijving	L.C.
2		YT05P00009S002		1	CAP, RADIATOR TAPON RADIADOR	TAPPO RADIATORE KOELERDAEKSEL	KÜHLERVERSCHLUSSD TAMPAO	BOUCHON RADIATEUR RADIATORDOP	039T
3		72953754		1	PLUG TAPÓN	TAPPO PROP	STOPFEN BUJAO	BOUCHON PLUG	050T
4		72960365		1	HOSE MANGA	MANICOTTO FLESSIBILE SLANGE	SCHLAUCH TUBO FLEXIVEL	FLEXIBLE FLEXIBELE BUIS	030M
10		72958140		8	SCREW TORNILLO	VITE SKRUE	SCHRAUBE PARAFUSO	VIS SCHROEF	040V
11		YT05P00009S011		1	COOLER, OIL RADIADOR ACEITE	RADIATORE OLIO OLIEKØLER	ÖLKÜHLER ARREFECEDOR	REFROIDISSEUR D'HUIL RADIATOR	026R
12		72151247		2	INSULATION, FOAM ESPUMA AISLANTE	SCHIUMA ISOLANTE SKUM ISOLERING	ISOLIERSCHAUMIII ESPUMA ISOLANTE	MOUSSE ISOLANTE ISOLATIESCHUIM	051S
13		72960654		1	COVER TAPADERA	COPERCHIO DÆKSEL	ABDECKUNGII COBERTA	COUVERCLE DEKSEL	265C
14		72958144		4	SCREW TORNILLO	VITE SKRUE	SCHRAUBE PARAFUSO	VIS SCHROEF	040V
15		72150501		2	PANEL CONTRAPANEL	PANNELLO PANEL	TAFEL PAINEL	PANNEAU PANEELWERK	025P
16		72210213		2	SCREW TORNILLO	VITE SKRUE	SCHRAUBE PARAFUSO	VIS SCHROEF	040V
17		72958151		2	WASHER ARANDELA	ROSETTA PIANA FLADSKIVE	UNTERLEGSCHIEBE ANILHA	RONDELLE SLUITRING	131R
20		72150500			SHROUD BOQUILLA	RIPARO DÆKKE	ABDECKUNGII COBERTURA	BUSE SHROUD	7830
21		YT05P00009S021		1	BRACKET PIEZA DE SOPORTE	STAFFA BESLAG	KONSOLEII BRACADEIRA	PATTE FIXATION STEUNBEUGEL	225S
22		YT05P00009S022		1	BRACKET PIEZA DE SOPORTE	STAFFA BESLAG	KONSOLEII BRACADEIRA	PATTE FIXATION STEUNBEUGEL	225S
25		YT05P00009R100		1	KIT, SERVICE KIT, SERVICE	KIT ASSISTENZIALE SERVICE SAET	SERVICE-KITII KIT, SERVICE	KIT ASSISTANCE KIT, SERVICE	021K

RADIATOR ASSY P/N 72150499

E80MSR

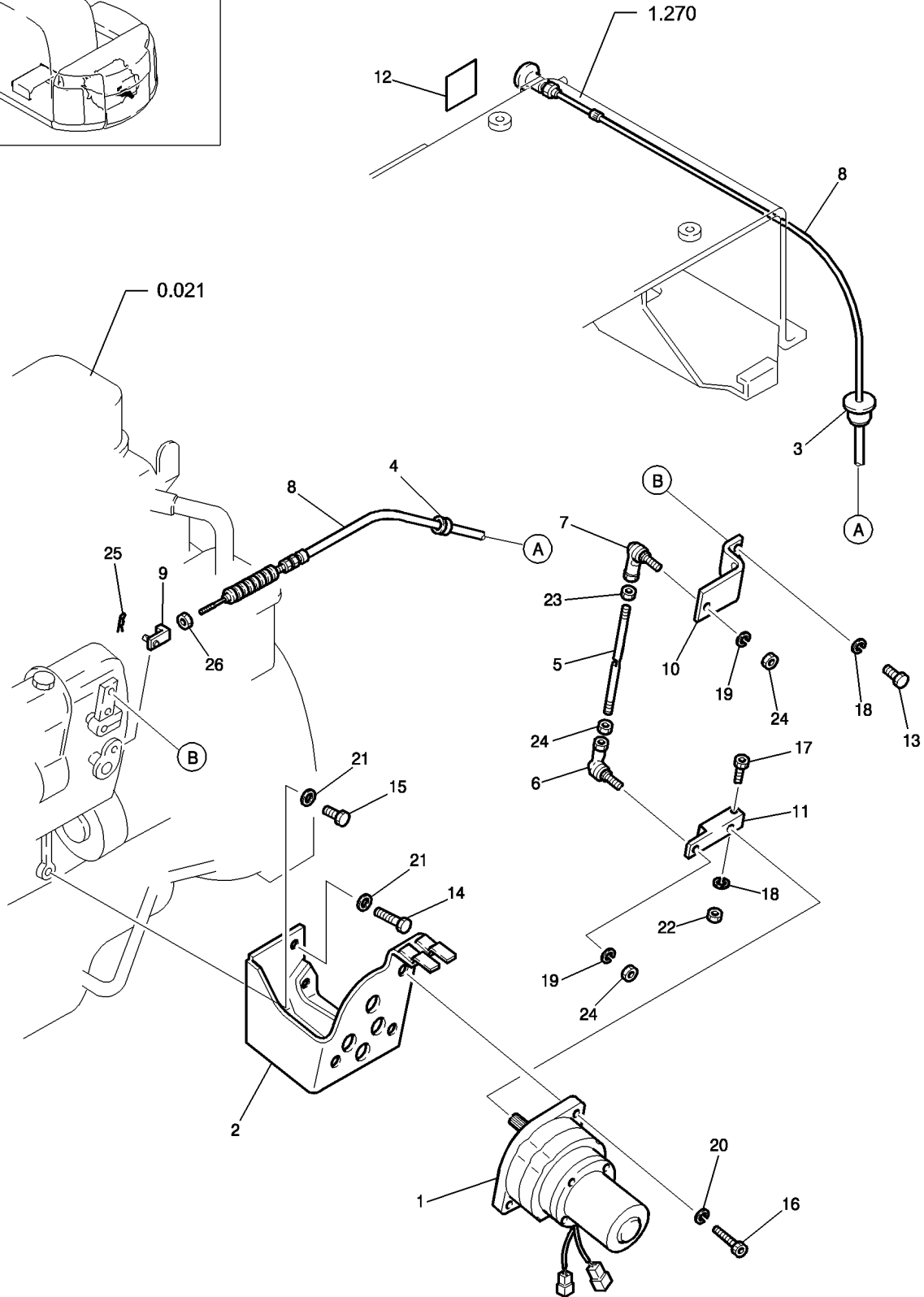
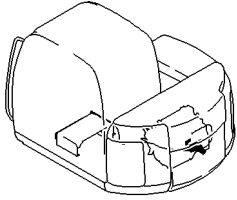
0.004

01

p1

12/05

ACCELERATOR CONTROLS
COMANDI ACCELERATORE
GASREGULIERUNG
COMMANDES D'ACCELERATEUR



MANDOS DEL ACELERADOR
ACCELERATOR CONTROLS
ACCELERATOR CONTROLS
ACCELERATOR CONTROLS

R	N	P.N.	MOD	Q	Description Denominacion	Descrizione Beskrivelse	Bezeichnung Denominação	Description Beschrijving	L.C.
1		YN20S00002F1		1	MOTOR	MOTORE	MOTOR	MOTEUR	Z560
					MOTOR	MOTOR	MOTOR	MOTOR	
2		72954498		1	BRACKET	STAFFA	KONSOLE	PATTE FIXATION	225S
					PIEZA DE SOPORTE	BESLAG	BRACADEIRA	STEUNBEUGEL	
3		YR03M01293P1		1	GROMMET	ANELLO PASSACAVO	TÜLLE	PASSE-FIL	131A
					PASACABLES	RING	CASQUILHO ISOLADOR	KABELDOORGANG	
4		72954314		1	GROMMET	ANELLO PASSACAVO	TÜLLE	PASSE-FIL	131A
					PASACABLES	RING	CASQUILHO ISOLADOR	KABELDOORGANG	
5		72954497		1	ROD	ASTA	STAB	TRINGLE	090A
					VARILLA	STANG	HASTE	STANG	
6		72204663		1	BALL JOINT	GIUNTO SFERICO	KUGELKOPFGELENK	ROTULE	070G
					JUNTA DE ROTULA	KUGLELED	JUNTA ESFÉRICA	KOGELGEWRIGHT	
7		YN11M01013D1		1	BALL JOINT	GIUNTO SFERICO	KUGELKOPFGELENK	ROTULE	070G
					JUNTA DE ROTULA	KUGLELED	JUNTA ESFÉRICA	KOGELGEWRIGHT	
8		YT11M01011P2		1	CABLE	CAVO	KABEL	CABLE	650C
					CABLE	KABEL	CABO	KABEL	
9		72954499		1	PIN	PERNO	BOLZEN	AXE	080P
					PERNO	STIFT	PERNO	PEN	
10		72954496		1	LEVER	LEVA	HEBEL	LEVIER	045L
					PALANCA	HAANDTAG	ALAVANCA	HEFBOOM	
11		72954276		1	LEVER	LEVA	HEBEL	LEVIER	045L
					PALANCA	HAANDTAG	ALAVANCA	HEFBOOM	
12		72954159		1	LABEL	ETICHETTA	ETIKETTE	ETIQUETTE	077E
					ETIQUETA	ETIKET	ETIQUETA	ETIKET	
13		ZS18C06016		2	SCREW	VITE	SCHRAUBE	VIS	040V
					TORNILLO	SKRUE	PARAFUSO	SCHROEF	
14		ZS18F10020		2	BOLT	BULLONE	SCHRAUBE	BOULON	140B
					TORNILLO	SKRUE	PARAFUSO	BOUT	
15		72954885		1	SCREW	VITE	SCHRAUBE	VIS	040V
					TORNILLO	SKRUE	PARAFUSO	SCHROEF	
16		ZS28C10035		3	CAP	TAPPO SERBATOIO	ABDECKAPPE	CHAPEAU	052T
					TAPON DEL DEPOSITO	TANKDAEKSEL	TAMPAO DE RESERVAT	RESERVOIRDOP	
17		72954892		1	SCREW	VITE	SCHRAUBE	VIS	040V
					TORNILLO	SKRUE	PARAFUSO	SCHROEF	
18		12601279		3	WASHER, Wave, M6.4	ROSETTA PIANA	UNTERLEGSCHIEBE	RONDELLE	131R
					ARANDELA	FLADSKIVE	ANILHA	SLUITRING	
19		ZW26X08000		2	WASHER	ROSETTA PIANA	UNTERLEGSCHIEBE	RONDELLE	131R
					ARANDELA	FLADSKIVE	ANILHA	SLUITRING	
20		ZW26K10000		3	WASHER	ROSETTA PIANA	UNTERLEGSCHIEBE	RONDELLE	131R
					ARANDELA	FLADSKIVE	ANILHA	SLUITRING	
21		47045385		3	WASHER	ROSETTA PIANA	UNTERLEGSCHIEBE	RONDELLE	131R
					ARANDELA	FLADSKIVE	ANILHA	SLUITRING	
22		ZN18C06005		1	NUT	DADO	MUTTER	ECROU	010D
					TUERCA	MOETRIK	PORCA	MOER	
23		2420T7359		1	NUT	DADO	MUTTER	ECROU	010D
					TUERCA	MOETRIK	PORCA	MOER	
24		72210038		3	NUT	DADO	MUTTER	ECROU	010D
					TUERCA	MOETRIK	PORCA	MOER	

E80MSR

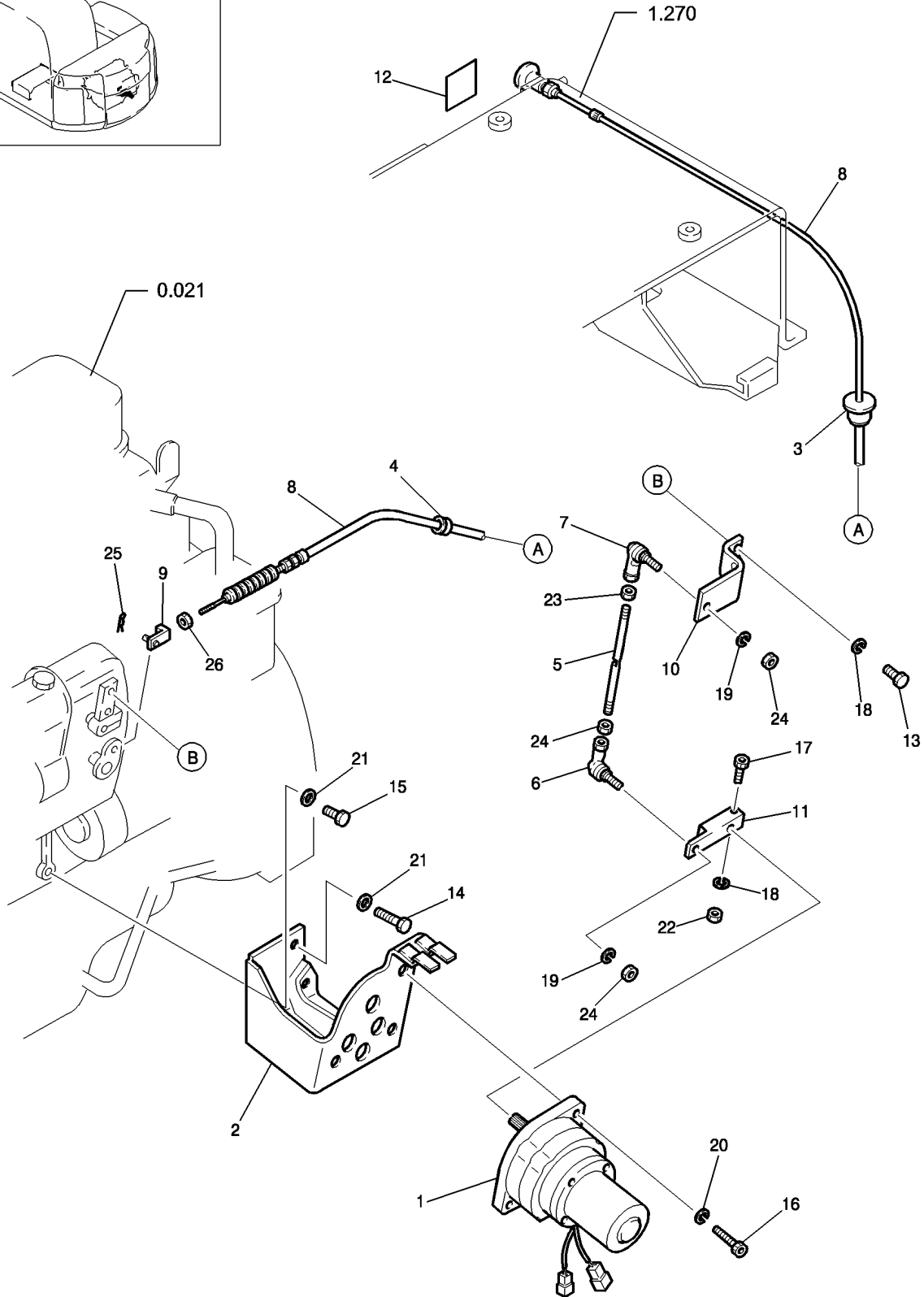
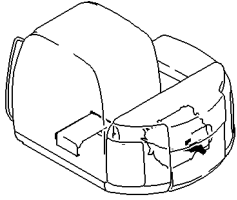
0.004

01

p2

12/05

ACCELERATOR CONTROLS
COMANDI ACCELERATORE
GASREGULIERUNG
COMMANDES D'ACCELERATEUR



0.004

01

p2

12/05

MANDOS DEL ACELERADOR
ACCELERATOR CONTROLS
ACCELERATOR CONTROLS
ACCELERATOR CONTROLS

R	N	P.N.	MOD	Q	Description Denominacion	Descrizione Beskrivelse	Bezeichnung Denominação	Description Beschrijving	L.C.
25		72950369		1	PIN PERNO	PERNO STIFT	BOLZEN PERNO	AXE PEN	080P
26		72203940		1	NUT TUERCA	DADO MOETRIK	MUTTER PORCA	ECROU MOER	010D

E80MSR

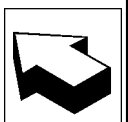
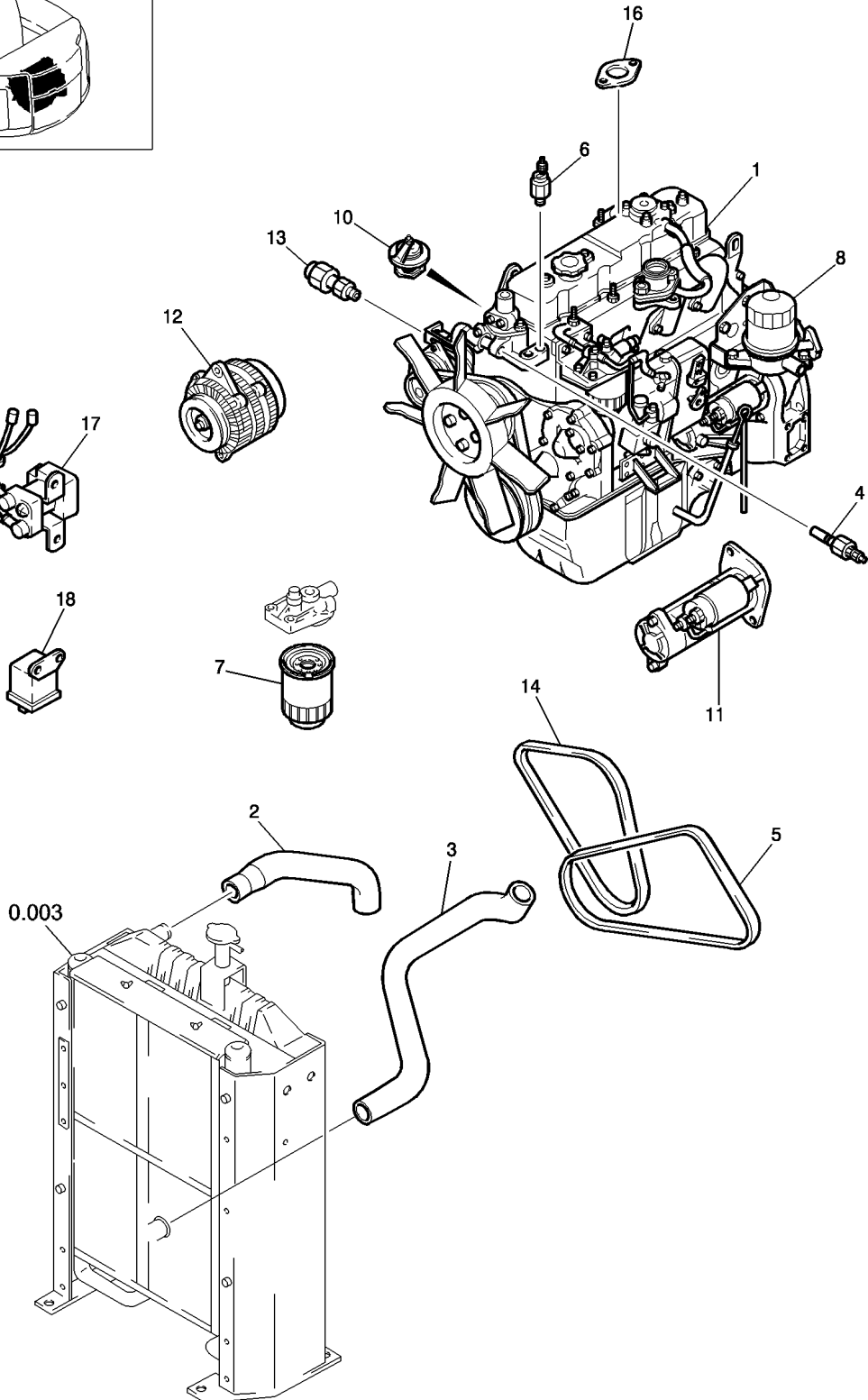
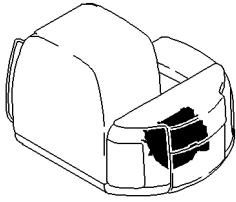
0.021

01

p1

12/05

ENGINE
MOTORE TERMICO
MOTOR
MOTEUR THERMIQUE

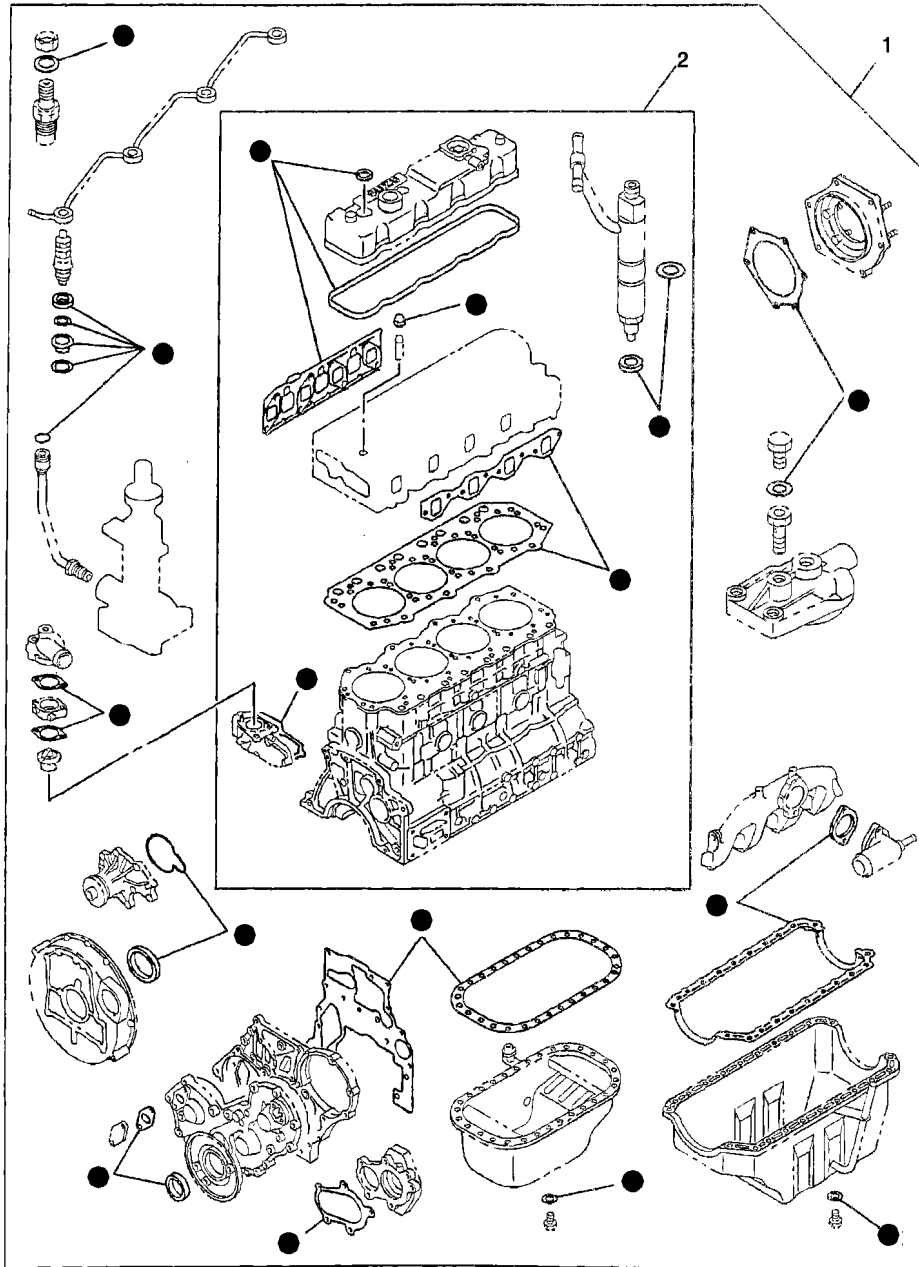


MOTOR
ENGINE
ENGINE
ENGINE

R	N	P.N.	MOD	Q	Description Denominacion	Descrizione Beskrivelse	Bezeichnung Denominação	Description Beschrijving	L.C.
1		72150515		1	ENGINE MOTOR	MOTORE MOTOR	MOTOR MOTOR	MOTEUR MOTOR	130M
2		YT05P01045P1		1	HOSE MANGA	MANICOTTO FLESSIBILE SLANGE	SCHLAUCH TUBO FLEXIVEL	FLEXIBLE FLEXIBELE BUIS	030M
3		YT05P01020P1		1	HOSE MANGA	MANICOTTO FLESSIBILE SLANGE	SCHLAUCH TUBO FLEXIVEL	FLEXIBLE FLEXIBELE BUIS	030M
4		YT52S00001P1		1	SENSOR SENSOR	SENSORE FØLER	SENSOR SENSOR	CAPTEUR SENSOR	608S
5		YT20M01062P1		1	BELT CORREA	CINGHIA REM	RIEMEN CORREIA	COURROIE RIEMEN	174C
6		76610344		1	SWITCH, THERMOSTATIC INTERRUPTOR TERMICO	INTERRUTT.TERMOMET TERMOSTATISK AFBRYK	THERMOSTATSCHALTER INTERRUPTOR TERMICO	COMM. THERMO-CONT/ WARMTESCHAKELAAR	074I
7		72150948		1	FILTER, FUEL FILTRO DE COMBUSTIBI	FILTRO COMBUSTIBILE BRAENDSTOFFFILTER	KRAFTSTOFFFILTER FILTRO DE COMBUSTIVI	FILTRE A COMBUSTIBLE BRANDSTOFFFILTER	064F
8		76554718		1	FILTER FILTRO	FILTRO FILTER	FILTER FILTRO	FILTRE FILTER	065F
10		8972112090		1	THERMOSTAT TERMOSTATO	TERMOSTATO TERMOSTAT	THERMOSTAT TERMOSTATO	THERMOSTAT THERMOSTAAT	096T
11		8971374781		1	MOTOR, STARTER MOTOR DE ARRANQUE	MOTORINO DI AVVIAME STARTMOTOR	STARTERMOTOR MOTOR ARRANQUE REC	DEMARREUR STARTMOTOR	133M
12		72961693		1	GEAR ENGRANAJE	INGRANAGGIO TANDHJUL	ZAHNRAD CARRETO	PIGNON TANDWIEL	050I
13		76600401		1	SWITCH, ASSY INTERRUPTOR	INTERRUTTORE COMPL KONTAKT, KPL.	SCHALTEREINHEIT INTERRUPTOR	COMMUTATEUR COMPL SCHAKELAAR	067I
14		72961759		1	BELT CORREA	CINGHIA REM	RIEMEN CORREIA	COURROIE RIEMEN	174C
16		72150949		1	GASKET JUNTA HERMETICA	GUARNIZIONE PAKNING	DICHTUNG, FLACH JUNTA	JOINT DICHTINGSSTUK	123G
17		72150950		1	RELAY CONECTADOR	RELE' RELAE	RELAIS CONECTADOR	RELAIS RELAIS	011R
18		72150951		1	RELAY CONECTADOR	RELE' RELAE	RELAIS CONECTADOR	RELAIS RELAIS	011R

E80MSR

ENGINE
MOTORE TERMICO
MOTOR
MOTEUR THERMIQUE



PARTS MARKED ● ARE NOT SUPPLIED AS SPARES
I PARTICOLARI CONTRASSEGNA TI CON ● NON
VENGONO FORNITI DI RICAMBIO

0.021

02

p1

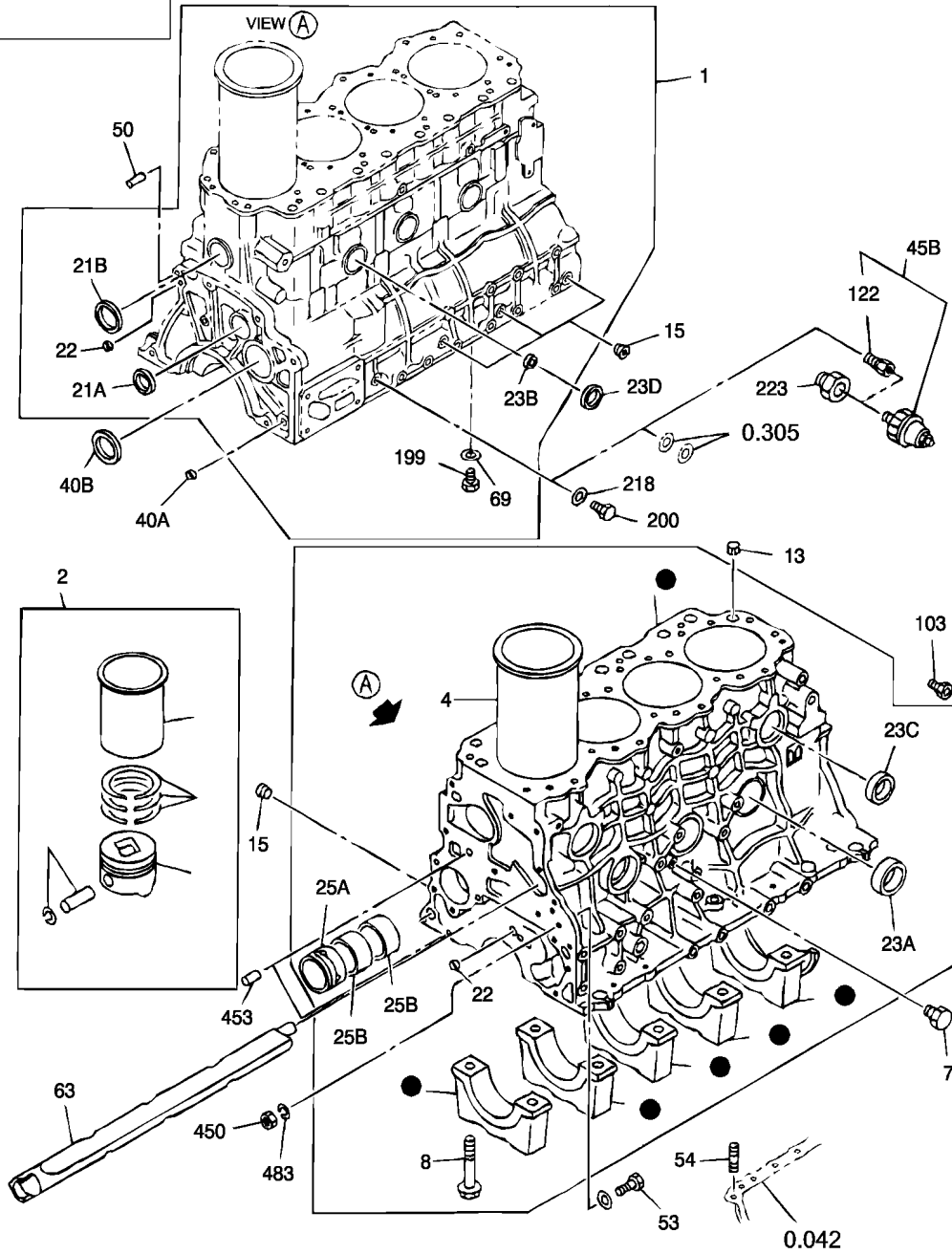
11/05

MOTOR
ENGINE
ENGINE
ENGINE

R	N	P.N.	MOD	Q	Description Denominacion	Descrizione Beskrivelse	Bezeichnung Denominação	Description Beschrijving	L.C.
1		{87336478}		1					
2		{87336479}		1					

E80MSR

CRANKCASE
BASAMENTO MOTORE
KURBELGEHAUSE
BLOC CYLINDRE



PARTS MARKED ● ARE NOT SUPPLIED AS SPARES
I PARTICOLARI CONTRASSEGNA TI CON ● NON
VENGONO FORNITI DI RICAMBIO

Complete manual From
aservicemanualpdf.com

**Thank you very much
for your reading.**

Please Click Here

**Then Get More
Information.**