

PARTS CATALOG

Product Line

**CATALOGO PARTI
DI RICAMBIO**

Model E50.2SR

**CATALOGUE DES PIECES
DETACHEES**

ERSATZTEILKATALOG

**CATÁLOGO DES PIEZAS
DE REPUESTO**

**CATÁLOGO DE PEÇAS
SOBRESSALENTES**

ONDERDELENLIJST

RESERVEDELSKATALOG

CATALOGUE n. 604.04.268.01
6th Edition 10 - 2005

 **NEW HOLLAND**

SECTION INDEX

010-19	1	UPPER FRAME
013-01	1	BRACKET ASSY, SWING
013-60	1	BRACKET ASSY, SWING (NIBBLER & BREAKER)
016-01	1	COUNTERWEIGHT INSTALLATIONS
017-19	1	COUNTERWEIGHT (GAIN)
020-01	1	ENGINE ASSY
025-01	1	ENGINE INSTALLATIONS
030-01	1	RADIATOR
034-01	1	RADIATOR
042-01	1	AIR CLEANER (CANOPY)
044-01	1	AIR CLEANER (CAB)
045-01	1	AIR CLEANER (W ELEMENT)
046-01	1	MUFFLER
052-01	1	FUEL LINES
059-01	1	FUEL TANK (CANOPY)
059-01	2	FUEL TANK (CANOPY)
060-01	1	FUEL TANK (CAB)
060-01	2	FUEL TANK (CAB)
063-60	1	OIL TANK (NIBBLER & BREAKER)
065-01	1	ENGINE ACCELERATOR CONTROLS (WITH DECEL)
065-01	2	ENGINE ACCELERATOR CONTROLS (WITH DECEL)
070-01	1	POWER TAKE OFF ASSY
074-01	1	SWING HYDRAULIC MOTOR
077-01	1	LUBRICATION LINES (SWING)
080-01	1	CONTROL VALVE
092-01	1	PUMP/CONTROL VALVE PIPING
100-01	1	PUMP/CONTROL VALVE PIPING
100-01	2	PUMP/CONTROL VALVE PIPING
102-60	1	PUMP/CONTROL VALVE PIPING (NIBBLER & BREAKER)
110-01	1	PUMP/CONTROL VALVE PIPING
110-01A	1	PUMP/CONTROL VALVE PIPING
120-01	1	CONTROLS OPERATOR
122-30	1	CONTROLS
124-01	1	CONTROLS
128-01	1	CONTROLS
135-01	1	CONTROLS (CANOPY)
137-01	1	CONTROLS (CAB)
138-18	1	CONTROLS
138-18A	1	CONTROLS
141-60B	1	CONTROL LINES (NIBBLER & BREAKER)
141-60B	2	CONTROL LINES (NIBBLER & BREAKER)
141-60B	3	CONTROL LINES (NIBBLER & BREAKER)
150-72	1	CONTROL LINES (DOZER)
160-60D	1	CONTROL LINES (NIBBLER & BREAKER)
160-60D	2	CONTROL LINES (NIBBLER & BREAKER)
165-60	1	CONTROL LINES (NIBBLER & BREAKER)
170-60	1	FLOOR-CAB (CANOPY - NIBBLER & BREAKER)
172-60	1	FLOOR-CAB (CAB - NIBBLER & BREAKER)
176-18	1	CAB
177-26	1	CAB
180-01	1	CAB - COMPONENTS
180-01	2	CAB - COMPONENTS
180-01	3	CAB - COMPONENTS
180-01	4	CAB - COMPONENTS
180-01	5	CAB - COMPONENTS

SECTION INDEX

190-01	1	CAB - COMPONENTS
194-01	1	CAB - COMPONENTS
196-01	01	HOLDER ASSY
200-26	1	CANOPY
202-26	1	CANOPY
204-18	1	CANOPY
205-01	01	HOLDER ASSY
214-01	1	ELECTRIC SYSTEM - LIGHT ASSY (CAB)
215-01	1	ELECTRIC SYSTEM - LIGHT ASSY
216-01	1	ELECTRIC SYSTEM - LIGHT ASSY
220-18	1	OPERATOR'S SEAT
222-18	1	OPERATOR'S SEAT (CAB)
223-18	1	OPERATOR'S SEAT (CANOPY)
224-18	1	OPERATOR'S SEAT - COMPONENTS (CAB)
225-18	1	OPERATOR'S SEAT - COMPONENTS (CANOPY)
226-18	1	STOPPER ASSY
240-01	1	HOODS (CANOPY)
240-01	2	HOODS (CANOPY)
240-01	3	HOODS (CANOPY)
240-01	4	HOODS (CANOPY)
242-01	1	HOODS (CAB)
242-01	2	HOODS (CAB)
242-01	3	HOODS (CAB)
242-01	4	HOODS (CAB)
263-29	1	CONTROLS
265-01	1	ELECTRIC SYSTEM - PANEL INSTRUMENTS
280-01	1	ELECTRIC SYSTEM - BATTERY
282-18	1	CONDITIONING (WITH HEATER)
284-18	1	CONDITIONING (WITHOUT HEATER)
312-01	1	ELECTRIC SYSTEM - HARNESS UPPER FRAME
312-01A	1	ELECTRIC SYSTEM - HARNESS UPPER FRAME
314-01A	1	HARNESS CAB
325-01	1	ELECTRIC SYSTEM - ENGINE HARNESS
327-01	1	ELECTRIC SYSTEM - RELÉ BOX
327-01A	1	ELECTRIC SYSTEM - RELÉ BOX
330-01	1	LOWER FRAME
335-01	1	LOWER FRAME
340-01	1	LOWER FRAME
346-01	1	IDLER ADJUSTER
356-01	1	IDLER ADJUSTER
360-01	1	IDLER ADJUSTER - IDLER REGULATION
366-01	1	TRACK ROLLER
374-01	1	TRACK ROLLER - COMPONENTS
380-01	1	STEEL TRACK ROLLER ASSY
390-01	1	RUBBER SHOE ASSY
391-01	1	RUBBER SHOE ASSY
400-01	1	SWIVEL JOINT HYD.LINES
420-01	1	DOZER
450-01	1	MONOBLOC BOOM (2.79M)
450-01A	1	MONOBLOC BOOM (2.79M)
500-01	1	BOOM PIPING
500-60	1	BOOM PIPING 2.79M (NIBBLER & BREAKER)
500-60A	1	BOOM PIPING 2.79M (NIBBLER & BREAKER)
550-01	1	BOOM PIPING
570-01	1	ELECTRIC SYSTEM - LIGHT ASSY (BOOM)

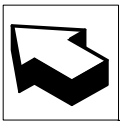
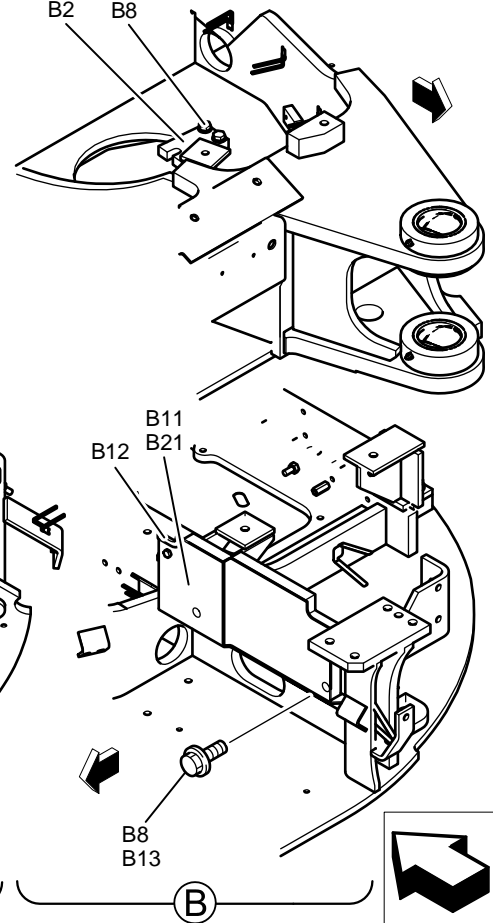
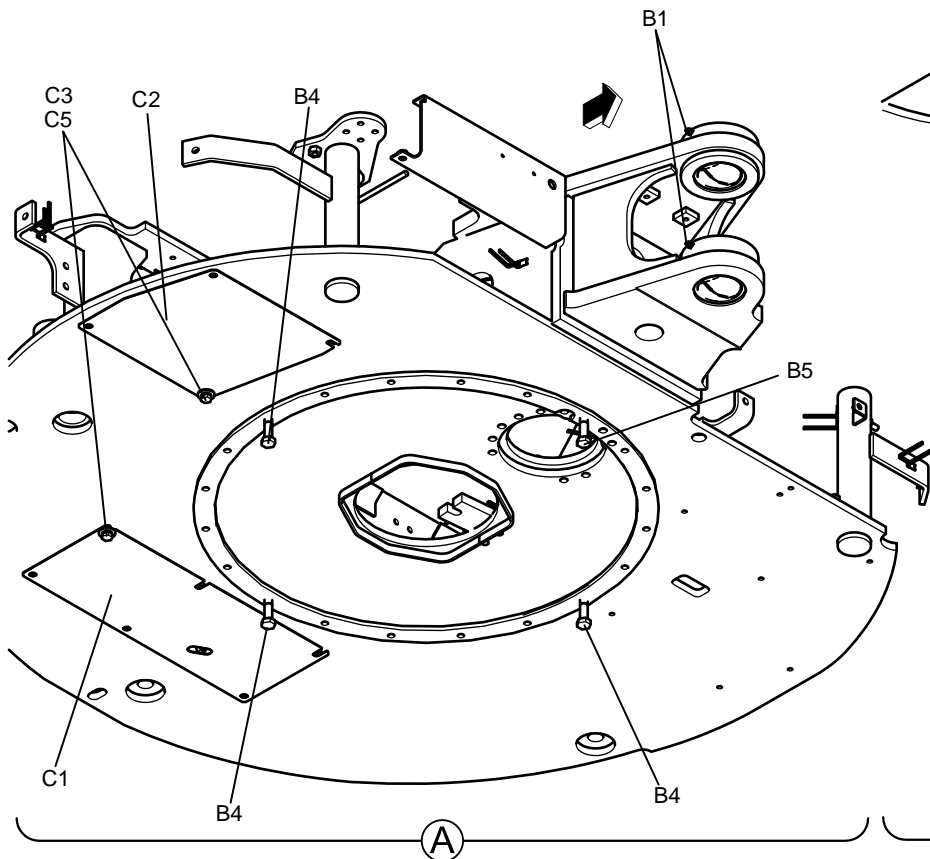
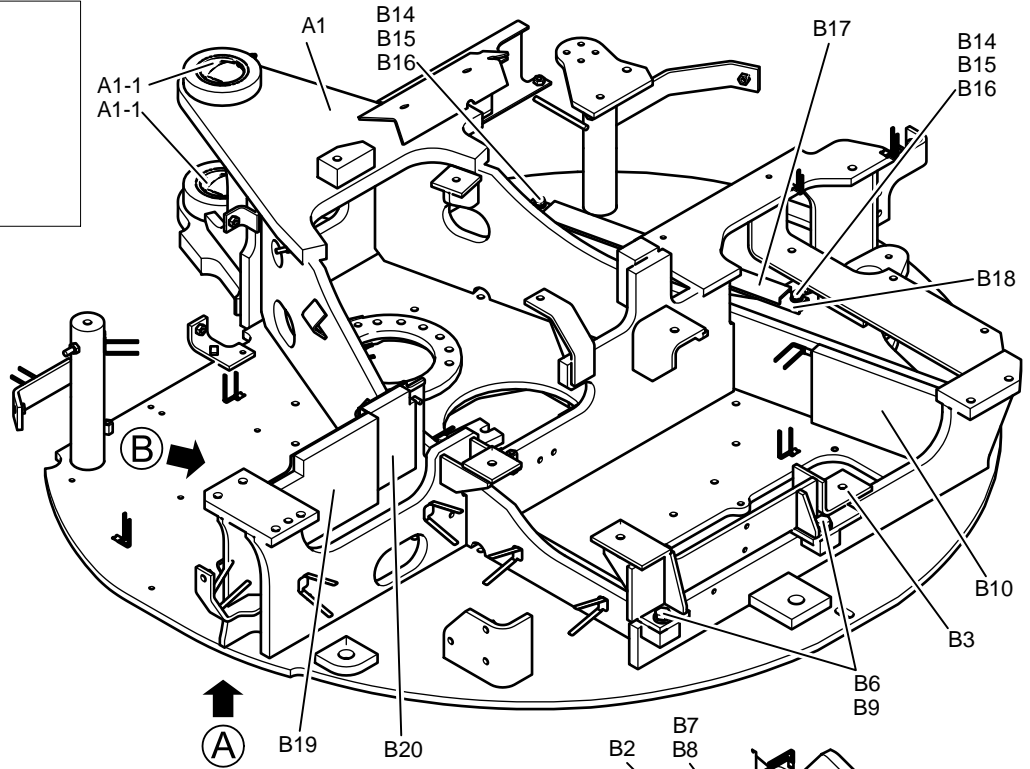
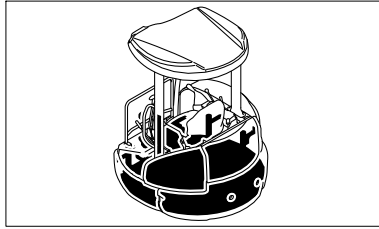
SECTION INDEX

580-01	1	DIPPER STICK (1.56M)
610-01	1	ARM HYD.LINES (1,56M)
670-01	1	BUCKET INSTALLATION
674-01	1	BUCKET
676-18	1	TOOLS KIT
702-18	1	BRACKET GROUP, SWING
705-01	1	ENGINE INSTAL (COOLER)
707-01	1	RADIATOR INSTAL (COOLER)
712-01	1	POWER TAKE OFF ASSY (COOLER)
714-18	1	HYDRAULIC ASSY, UPPER (BOOM & ARM SAFETY)
714-18	2	HYDRAULIC ASSY, UPPER (BOOM & ARM SAFETY)
723-18	1	CONTROL LINES, REMOTE (BOOM & ARM SAFETY)
724-18	1	CONTROL LINES, REMOTE (BOOM & ARM SAFETY)
725-18	1	CONTROL LINES, VALVE
725-18	2	CONTROL LINES, VALVE
726-18	1	CONTROL LINES, REMOTE (BOOM & ARM SAFETY)
726-18	2	CONTROL LINES, REMOTE (BOOM & ARM SAFETY)
727-18	1	CONTROL LINES, REMOTE - COOLER
727-18	2	CONTROL LINES, REMOTE - COOLER
728-18	1	CONTROL LINES, REMOTE - COOLER (BOOM SAFETY)
728-18	2	CONTROL LINES, REMOTE - COOLER (BOOM SAFETY)
729-18	1	CONTROL LINES, REMOTE - COOLER (BOOM & ARM SAFETY)
729-18	2	CONTROL LINES, REMOTE - COOLER (BOOM & ARM SAFETY)
740-18	1	CAB INSTALL
742-30	1	CAB INSTAL
744-01	1	CAB ASSY
744-01	2	CAB ASSY
744-01	3	CAB ASSY
744-01	4	CAB ASSY
744-01	5	CAB ASSY
756-18	1	RADIO
765-18	1	STOPPER ASSY (COOLER)
769-01	1	GUARD INSTAL (COOLER)
769-01	2	GUARD INSTAL (COOLER)
769-01	3	GUARD INSTAL (COOLER)
769-01	4	GUARD INSTAL (COOLER)
781-01A	1	COOLER ASSY
782-26	1	CONDITIONER INSTAL
783-01	1	COOLER ASSY
785-01	1	DRYER ASSY, AIR
787-01	1	COOLER ASSY
789-01	1	COOLER ASSY
802-01	1	HARNESS ASSY (COOLER)
856-18	1	HYD LINES, BOOM
857-18	1	HYD LINES, BOOM
866-01	1	ARM (1,87M)
876-01	1	ARM HYD.LINES (1,87M)
876-60	1	ARM HYD.LINES (1,87M - NIBBLER & BREAKER)
877-18	1	ARM HYD.LINES (ARM SAFETY)
950-18	1	DECALS
950-18	2	DECALS
952-18	1	DECALS
955-18	1	DECALS
957-18	1	DECALS
960-19	1	DECALS (DECAL)

SECTION INDEX

963-19	1	DECALS (CEMA MARK)
965-18	1	DECALS (CAB)
968-30	1	DECALS
985-18	1	DECALS (ISO)
986-18	1	DECALS
986-26	1	DECALS
987-30	1	DECALS

UPPER FRAME
TELAIO SUPERIORE
CHASSIS SUPERIEUR
RAHMENOBEN

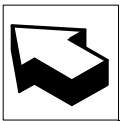
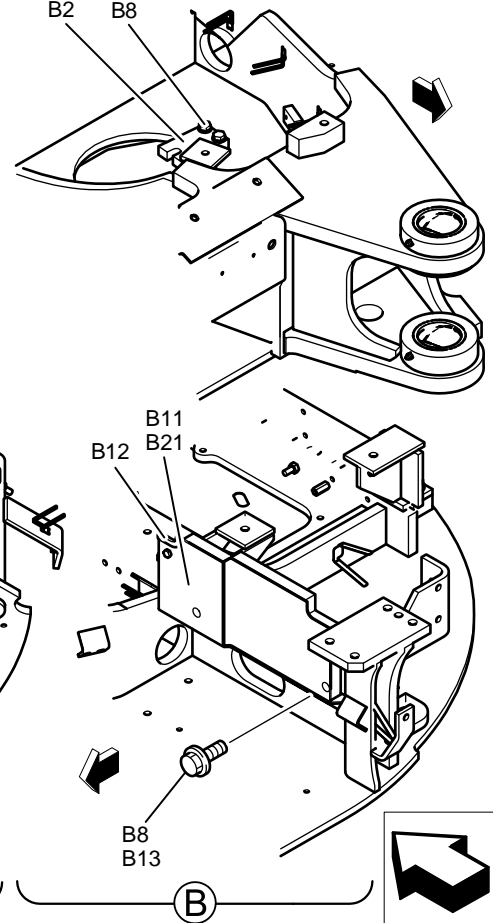
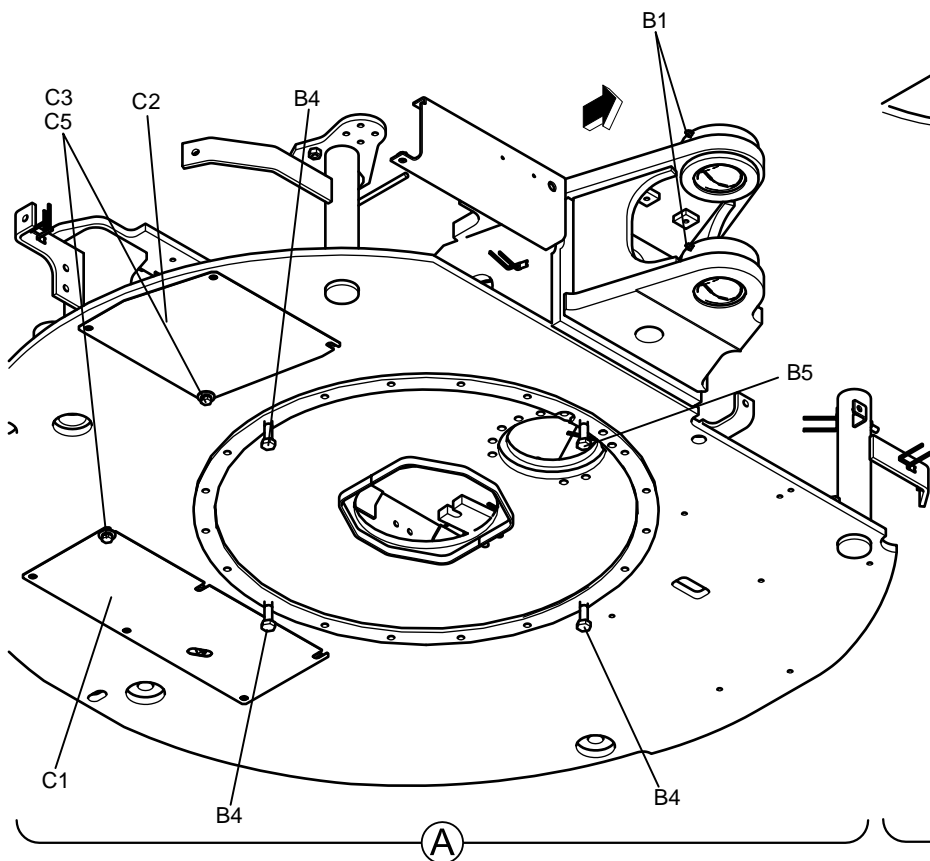
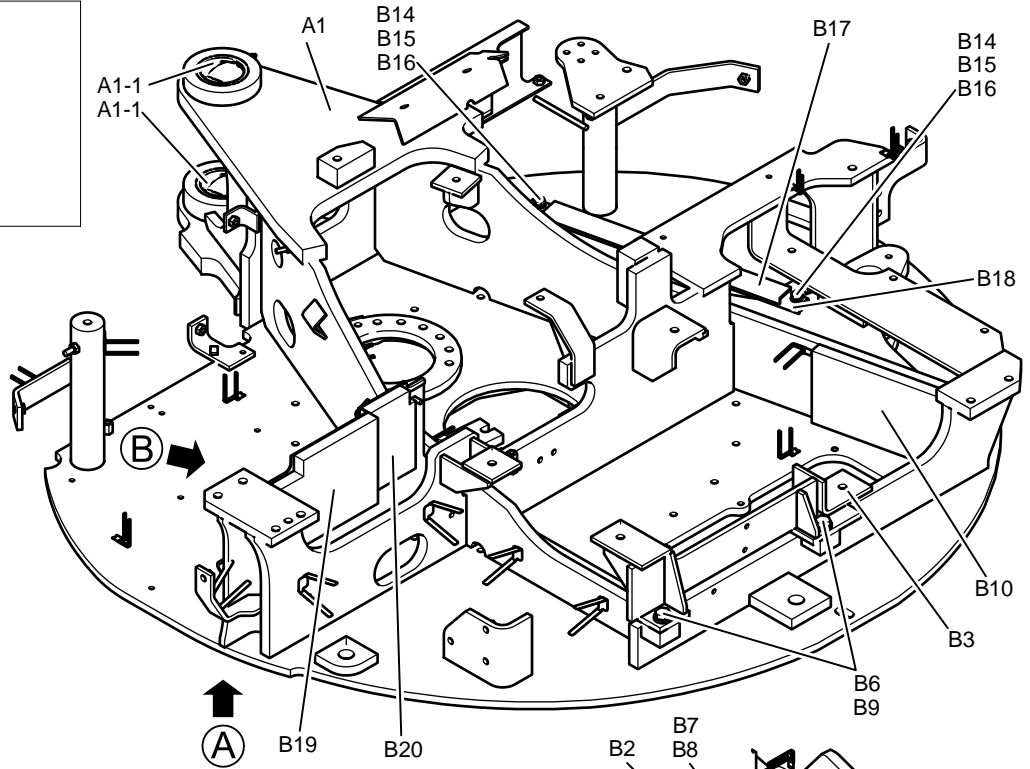
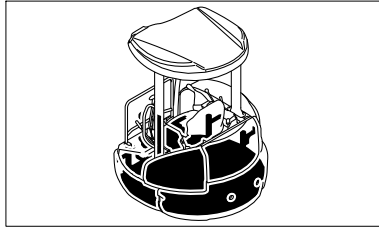


CHASIS SUPERIOR

R	N	P.N.	MOD	Q	Description Denominacion	Descrizione Denominação	Description Beschrijving	Bezeichnung Beskrivelse	L.C.
A1/A1-1		{87340724}		1					
A1		{87340740}		1					
A1-1		72952844		2	BUSHING CASQUILLO	BOCCOLA CASQUILHO	BAGUE LAGERBUS	BUECHSE BOESNING	095B
B1/B20		72283389		1	SET OF PARTS JUEGO DE PIEZAS	SERIE PARTICOLARI CONJUNTO DE PECAS	LOT DE PIECES STEL ONDERDELEN	ERSATZTEILSATZ RESERVEDELSAET	119S
B1		72283478		2	NIPPLE, LUBE ENGRASADOR	INGRASSATORE LUBRIFICADOR	GRAISSEUR SMEERNIPPEL	SCHMIERNIPPEL SMOERENIPPEL	060I
B2		72953177		1	PLATE PLACA	PIASTRA CHAPA	PLAQUE PLAAT	PLATTE PLADE	105P
B3		72283390		1	BRACKET PIEZA DE SOPORTE	STAFFA BRACADEIRA	PATTE FIXATION STEUNBEUGEL	HALTERUNG BESLAG	225S
B4		72952854		19	SCREW TORNILLO	VITE PARAFUSO	VIS SCHROEF	SCHRAUBE SKRUE	040V
B5		72952775		1	SCREW TORNILLO	VITE PARAFUSO	VIS SCHROEF	SCHRAUBE SKRUE	040V
B6		72951715		2	SCREW TORNILLO	VITE PARAFUSO	VIS SCHROEF	SCHRAUBE SKRUE	040V
B7		72114685		2	SCREW TORNILLO	VITE PARAFUSO	VIS SCHROEF	SCHRAUBE SKRUE	040V
B8		72951754		4	WASHER ARANDELA	ROSETTA PIANA ANILHA	RONDELLE SLUITRING	BEILAGSCHEIBE FLADSKIVE	131R
B9		72951744		2	WASHER ARANDELA	ROSETTA PIANA ANILHA	RONDELLE SLUITRING	BEILAGSCHEIBE FLADSKIVE	131R
B10		72283391		1	INSULATION, FOAM ESPUMA AISLANTE	SCHIUMA ISOLANTE ESPUMA ISOLANTE	MOUSSE ISOLANTE ISOLATIESCHUIM	ISOLIERUNG SKUM ISOLERING	051S
B11		72283392		1	PLATE PLACA	PIASTRA CHAPA	PLAQUE PLAAT	PLATTE PLADE	105P
B12		72283393		1	SOFT TRIM RIVESTIMENTO	RIVESTIMENTO REVESTIMENTO	REVETEMENT BEKLEDING	VERKLEIDUNG POLSTRING	115R
B13		72951701		2	SCREW TORNILLO	VITE PARAFUSO	VIS SCHROEF	SCHRAUBE SKRUE	040V
B14		72951762		2	WASHER, LOCK ARANDELA DE FRENO	ROSETTA DI SICUREZZA ANILHA DE FIXACAO	RONDELLE FREIN VEERRING	SPRENGRING LAASESKIVE	132R
B15		72951753		2	WASHER ARANDELA	ROSETTA PIANA ANILHA	RONDELLE SLUITRING	BEILAGSCHEIBE FLADSKIVE	131R
B16		47045387		2	SCREW TORNILLO	VITE PARAFUSO	VIS SCHROEF	SCHRAUBE SKRUE	040V
B17		72283394		1	GASKET JUNTA HERMETICA	GUARNIZIONE JUNTA	JOINT DICHTINGSSTUK	DICHTUNG, FLACH PAKNING	123G
B18		72283395		1	SUPPORT SOPORTE	SUPPORTO SUPORTE	SUPPORT STEUN	STÜTZE BESLAG	300S
B19		72283396		1	INSULATION, FOAM ESPUMA AISLANTE	SCHIUMA ISOLANTE ESPUMA ISOLANTE	MOUSSE ISOLANTE ISOLATIESCHUIM	ISOLIERUNG SKUM ISOLERING	051S
B20		72283397		1	INSULATION, FOAM ESPUMA AISLANTE	SCHIUMA ISOLANTE ESPUMA ISOLANTE	MOUSSE ISOLANTE ISOLATIESCHUIM	ISOLIERUNG SKUM ISOLERING	051S

E50.2SR

UPPER FRAME
TELAIO SUPERIORE
CHASSIS SUPERIEUR
RAHMENOBEN



CHASIS SUPERIOR

R	N	P.N.	MOD	Q	Description Denominacion	Descrizione Denominação	Description Beschrijving	Bezeichnung Beskrivelse	L.C.
B21	1, 2	87340900		1	COVER TAPADERA	COPERCHIO COBERTA	COUVERCLE DEKSEL	DECKEL DÆKSEL	265C
C1/C5		87340802		1	COVER TAPADERA	COPERCHIO COBERTA	COUVERCLE DEKSEL	DECKEL DÆKSEL	265C
C1		87340803		1	COVER TAPADERA	COPERCHIO COBERTA	COUVERCLE DEKSEL	DECKEL DÆKSEL	265C
C2		87340805		1	COVER TAPADERA	COPERCHIO COBERTA	COUVERCLE DEKSEL	DECKEL DÆKSEL	265C
C3		72280489		10	SCREW TORNILLO	VITE PARAFUSO	VIS SCHROEF	SCHRAUBE SKRUE	040V
C5		72201224		10	WASHER ARANDELA	ROSETTA PIANA ANILHA	RONDELLE SLUITRING	BEILAGSCHEIBE FLADSKIVE	131R

(1) UP TO S/N PJ04-03398

(2) FROM S/N PJ04-03375

E50.2SR

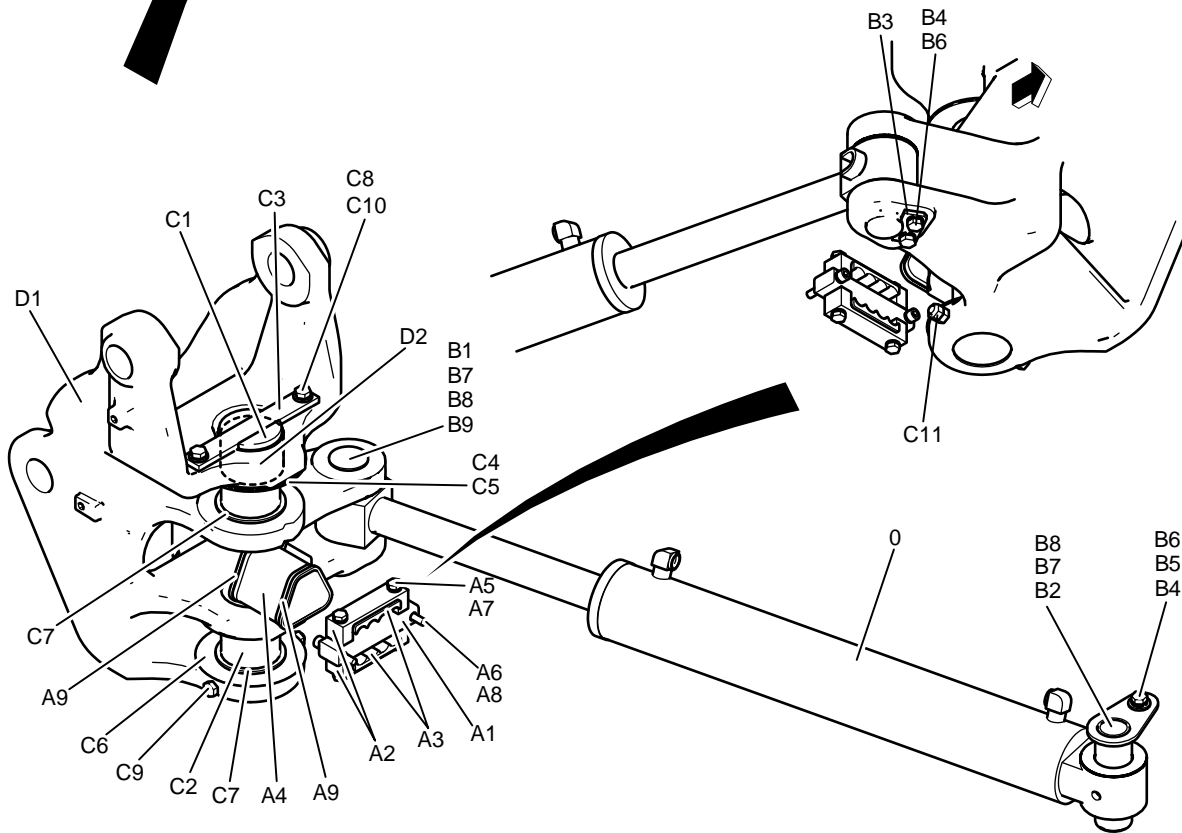
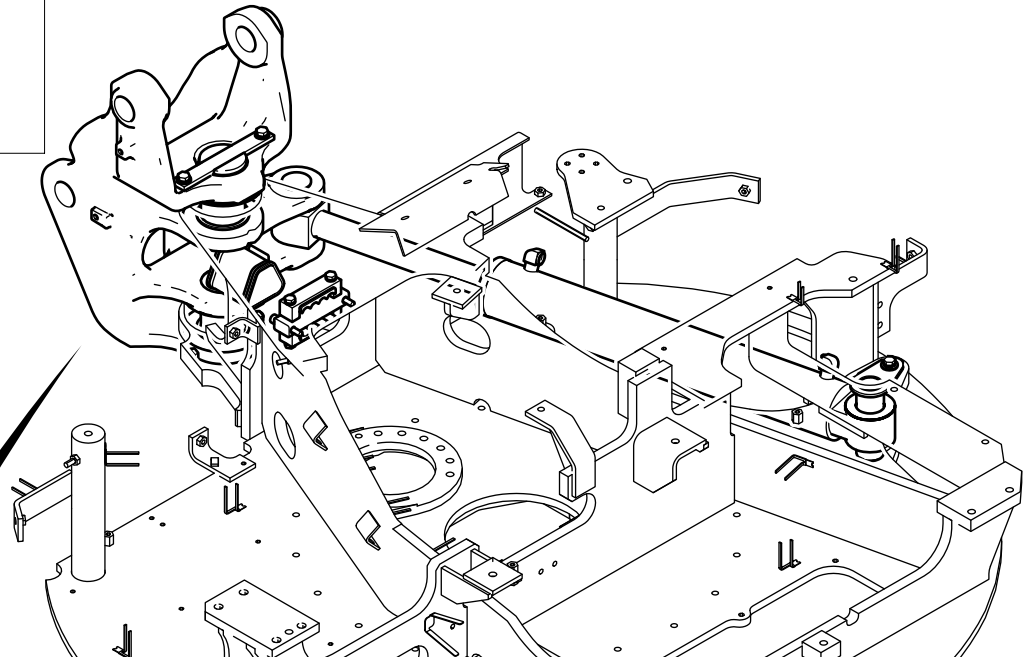
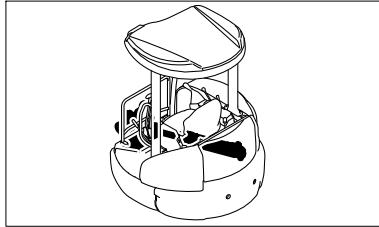
013-01

1

p1

08/05

BRACKET ASSY, SWING
BRACCIO ROTAZIONE COMPLETO
BALANCIER COMPLET
SCHWINGARM



BRAZO ROTACION COMPLETO

R	N	P.N.	MOD	Q	Description Denominacion	Descrizione Denominação	Description Beschrijving	Bezeichnung Beskrivelse	L.C.
-		{87340942}		1					
0		87340943		1	CYLINDER ASSY. - ASSY SEE C.P.M.	CILINDRO, COMPLESS.	VERIN	ZYLINDER (KPLT.)	P477
					CILINDRO (CONJUNTO)	CILINDRO CONJUNTO	CYLINDER ASSY.	CYLINDER ASSY.	
A1/A9		72283416		1	SET OF PARTS	SERIE PARTICOLARI	LOT DE PIECES	ERSATZTEILSATZ	119S
					JUEGO DE PIEZAS	CONJUNTO DE PECAS	STEL ONDERDELEN	RESERVEDELSAET	
A1		72283417		1	CLAMP	MORSETTO	BRIDE	KLEMME	120M
					BORNE	BORNE	KLEM	SPÆNDEBÅND	
A2		72283418		2	CLAMP	MORSETTO	BRIDE	KLEMME	120M
					BORNE	BORNE	KLEM	SPÆNDEBÅND	
A3		72283419		2	GASKET	GUARNIZIONE	JOINT	DICHTUNG, FLACH	123G
					JUNTA HERMETICA	JUNTA	DICHTINGSSTUK	PAKNING	
A4		72285188		1	GROMMET	ANELLO PASSACAVO	PASSE-FIL	TÛLLE	131A
					PASACABLES	CASQUILHO ISOLADOR	KABELDOORGANG	RING	
A5		72951695		4	SCREW	VITE	VIS	SCHRAUBE	040V
					TORNILLO	PARAFUSO	SCHROEF	SKRUE	
A6		72955464		2	SCREW	VITE	VIS	SCHRAUBE	040V
					TORNILLO	PARAFUSO	SCHROEF	SKRUE	
A7		72951762		4	WASHER, LOCK	ROSETTA DI SICUREZZA	RONDELLE FREIN	SPRENGRING	132R
					ARANDELA DE FRENO	ANILHA DE FIXACAO	VEERRING	LAASESKIVE	
A8		12581679		2	WASHER	ROSETTA PIANA	RONDELLE	BEILAGSCHEIBE	131R
					ARANDELA	ANILHA	SLUITRING	FLADSKIVE	
A9		72951499		2	CLIP	FERMAGLIO	CLIP	KLAMMER	045F
					SUJETADOR	FIXADOR	KLEM	KLIPS	
B1/B9		{87340950}		1					
B1		{87340951}		1					
B2		{87340953}		1					
B3		{87340954}		1					
B4		72951701		3	SCREW	VITE	VIS	SCHRAUBE	040V
					TORNILLO	PARAFUSO	SCHROEF	SKRUE	
B5		72950359		1	WASHER	ROSETTA PIANA	RONDELLE	BEILAGSCHEIBE	131R
					ARANDELA	ANILHA	SLUITRING	FLADSKIVE	
B6		72114686		3	WASHER	ROSETTA PIANA	RONDELLE	BEILAGSCHEIBE	131R
					ARANDELA	ANILHA	SLUITRING	FLADSKIVE	
B7		72953007		6	SHIM	SPESSORE	CALE D'EPAISSEUR	EINSTELLSCHEIBCHEN	198S
					SUPLEMENTO	CALCO DE AFINACAO	DIKTEPLAAT	MELLEMLÆG	
B8		72952931		2	SPACER	DISTANZIALE	ENTRETOISE	DISTANZSTÜCK	075D
					SEPARADOR	ESPACADOR	AFSTANDSRING	AFSTANDSSTYKKE	
B9		72285259		2	SHIM	SPESSORE	CALE D'EPAISSEUR	EINSTELLSCHEIBCHEN	198S
					SUPLEMENTO	CALCO DE AFINACAO	DIKTEPLAAT	MELLEMLÆG	
C1/C11		87340955		1	SET OF PARTS	SERIE PARTICOLARI	LOT DE PIECES	ERSATZTEILSATZ	119S
					JUEGO DE PIEZAS	CONJUNTO DE PECAS	STEL ONDERDELEN	RESERVEDELSAET	
C1		{87340956}		1					

E50.2SR

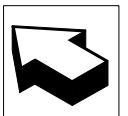
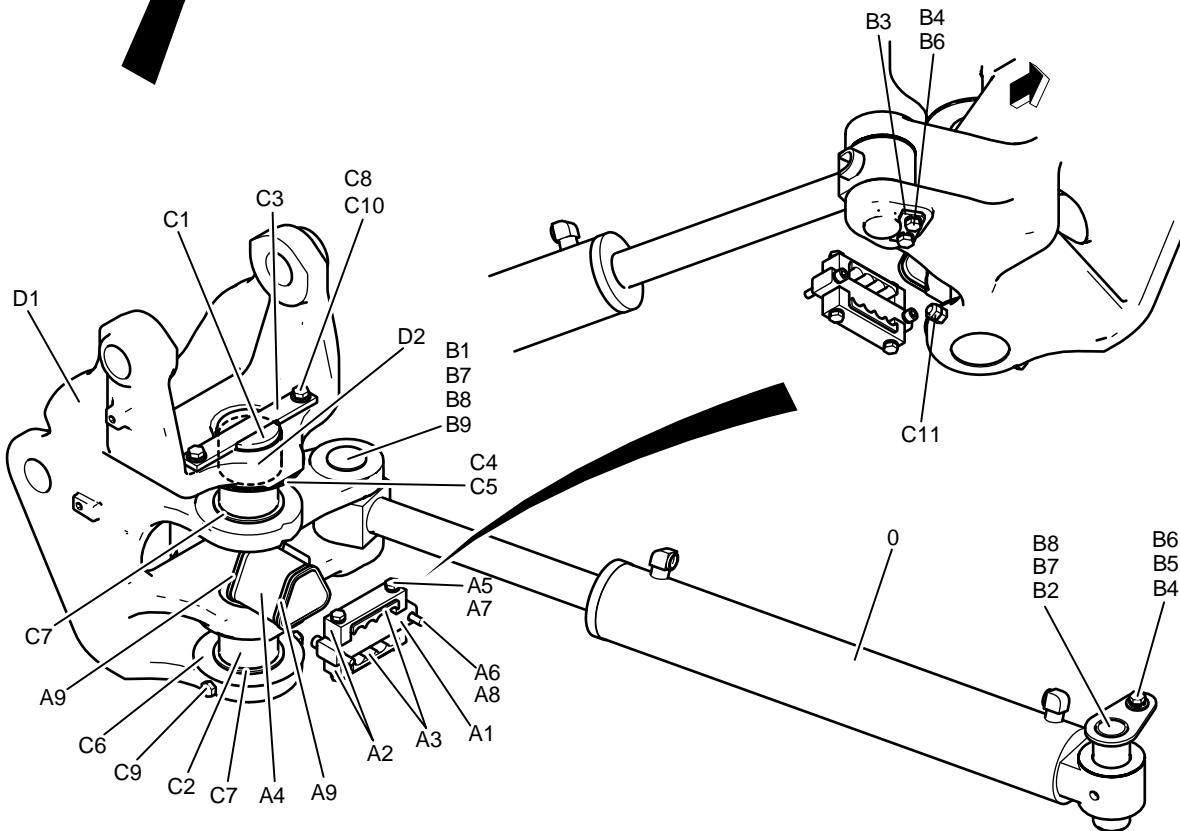
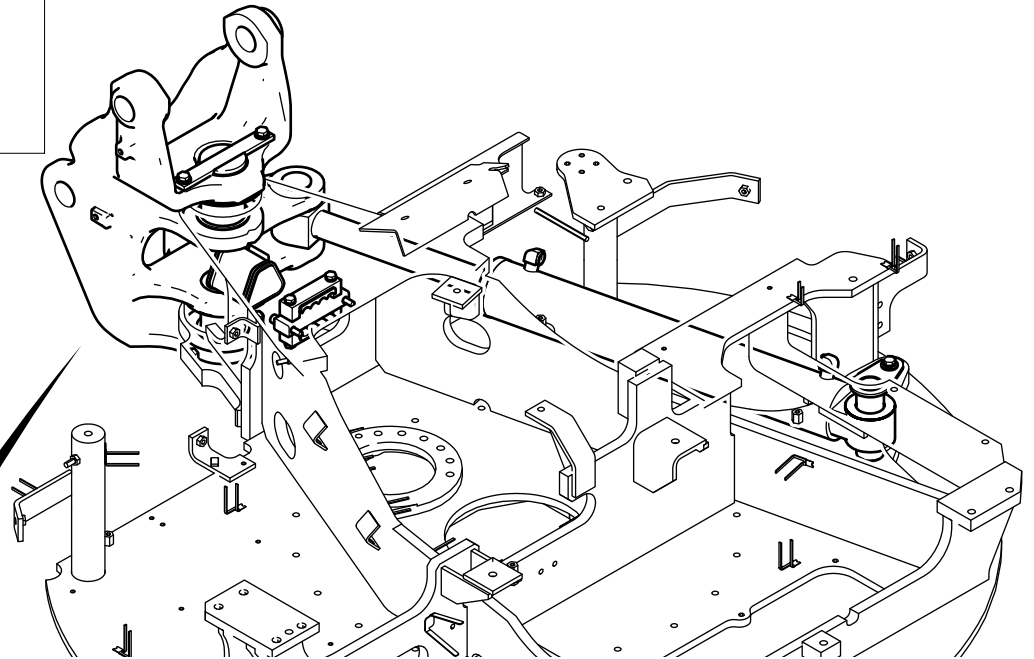
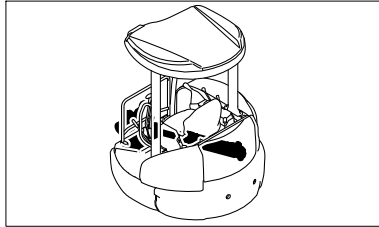
013-01

1

p2

08/05

BRACKET ASSY, SWING
BRACCIO ROTAZIONE COMPLETO
BALANCIER COMPLET
SCHWINGARM

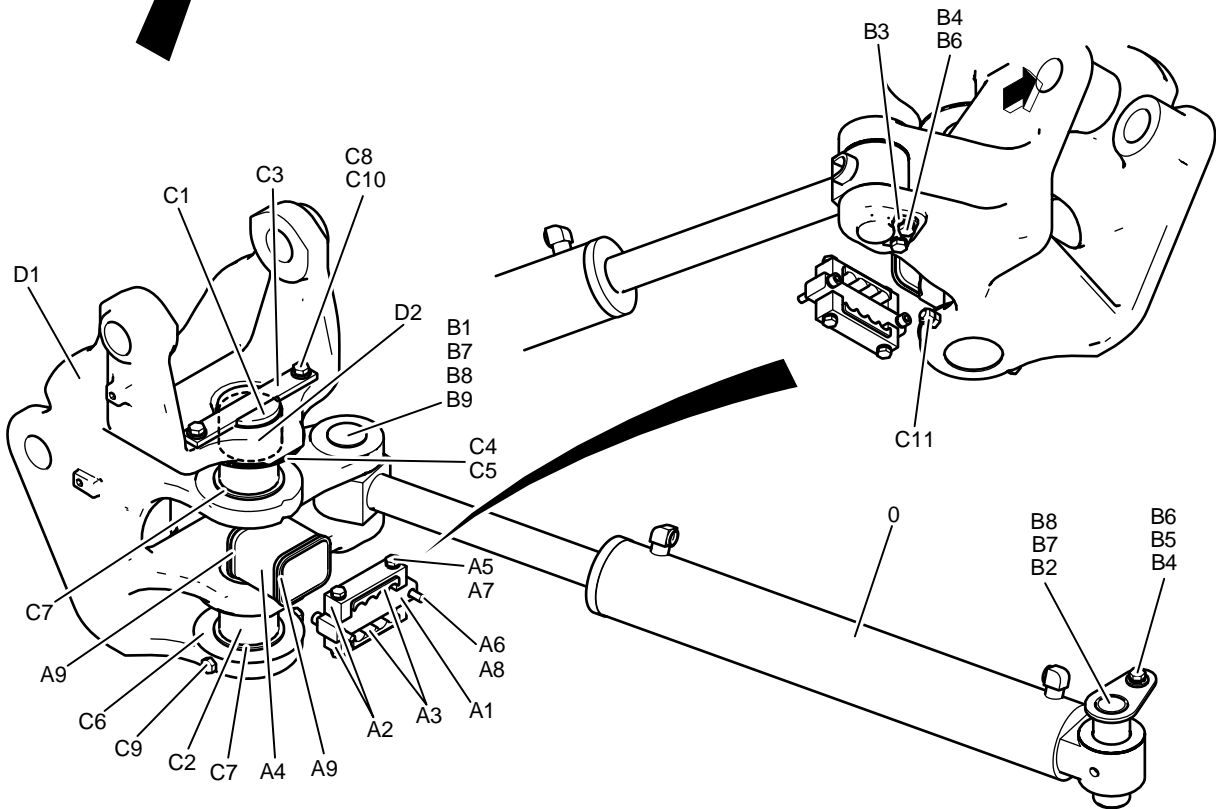
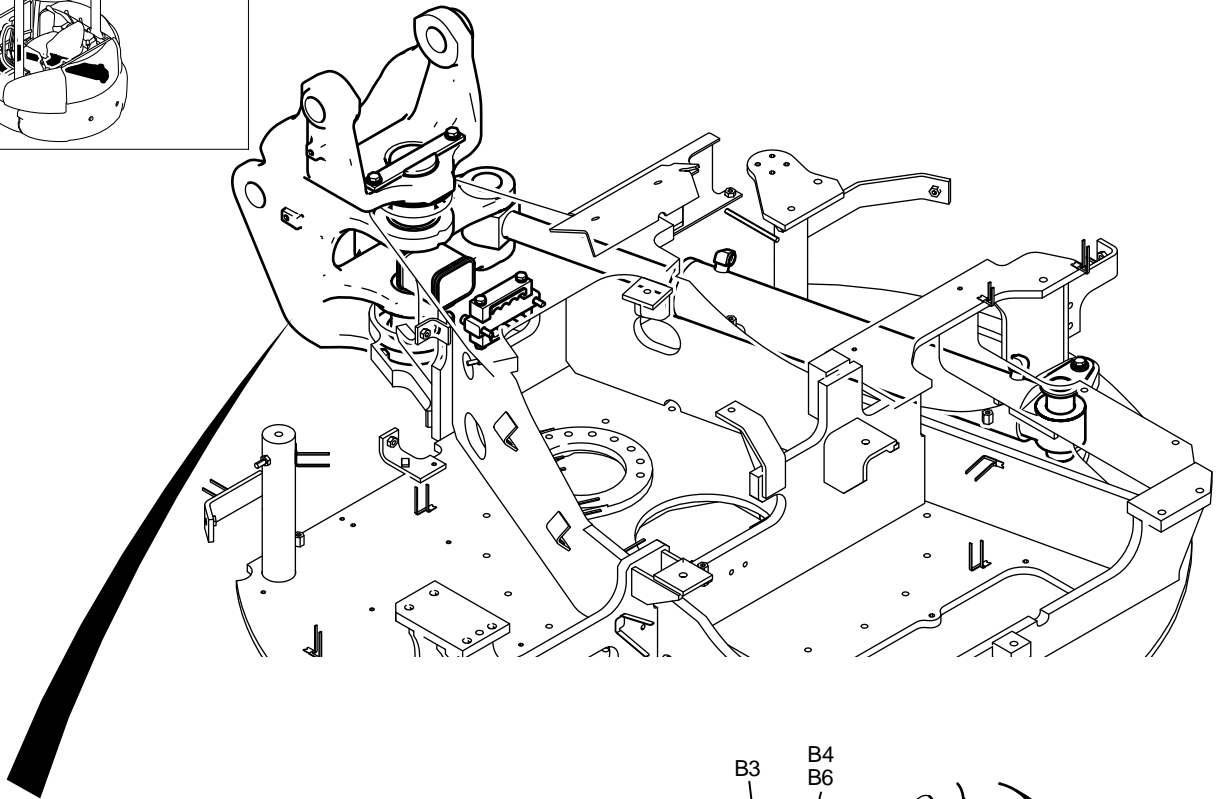
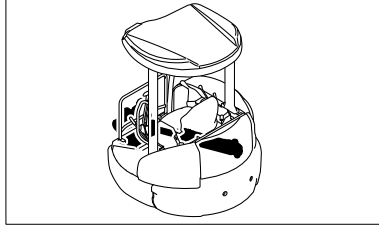


BRAZO ROTACION COMPLETO

R	N	P.N.	MOD	Q	Description Denominacion	Descrizione Denominação	Description Beschrijving	Bezeichnung Beskrivelse	L.C.
C2		{87340957}		1					
C3		{87340958}		1					
C4		72953001		1	WASHER ARANDELA	ROSETTA PIANA ANILHA	RONDELLE SLUITRING	BEILAGSCHEIBE FLADSKIVE	131R
C5		72953002		1	WASHER ARANDELA	ROSETTA PIANA ANILHA	RONDELLE SLUITRING	BEILAGSCHEIBE FLADSKIVE	131R
C6		72953006		1	SHIM SUPLEMENTO	SPESSORE CALCO DE AFINACAO	CALE D'EPaisseur DIKTEPLAAT	EINSTELLSCHEIBCHEN MELLEMLÆG	198S
C7		72952767		2	SEAL ANILLO DE CIERRE	ANELLO DI TENUTA ANEL DE VEDACAO	JOINT DICHTINGSRING	DICHTUNG PAKNINGSRING	132A
C8		72951701		2	SCREW TORNILLO	VITE PARAFUSO	VIS SCHROEF	SCHRAUBE SKRUE	040V
C9		72952974		1	SCREW TORNILLO	VITE PARAFUSO	VIS SCHROEF	SCHRAUBE SKRUE	040V
C10		72283448		2	WASHER ARANDELA	ROSETTA PIANA ANILHA	RONDELLE SLUITRING	BEILAGSCHEIBE FLADSKIVE	131R
C11		72280507		2	NUT TUERCA	DADO PORCA	ECROU MOER	MUTTER MOETRIK	010D
D1/D2		72286342		1	HOLDER SOPORTE	SOSTEGNO SUPORTE	SUPPORT HOUDER	HALTER HOLDER	174S
D1		72286343		1	HOLDER SOPORTE	SOSTEGNO SUPORTE	SUPPORT HOUDER	HALTER HOLDER	174S
D2		72283456		1	BUSHING CASQUILLO	BOCCOLA CASQUILHO	BAGUE LAGERBUS	BUECHSE BOESNING	095B

E50.2SR

BRACKET ASSY, SWING (NIBBLER & BREAKER)
BRACCIO ROTAZIONE COMPLETO (NIBBLER & BREAKER)
BALANCIER COMPLET (NIBBLER & BREAKER)
SCHWINGARM (NIBBLER & BREAKER)

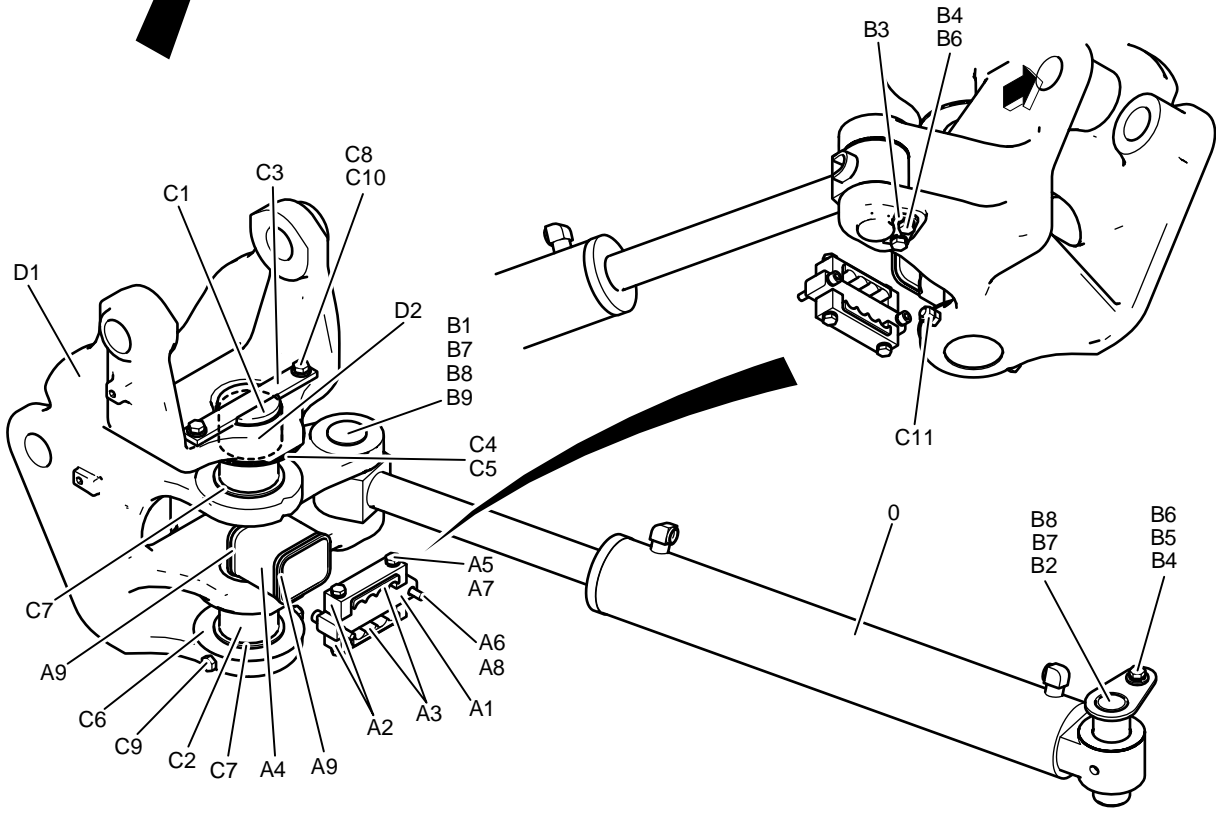
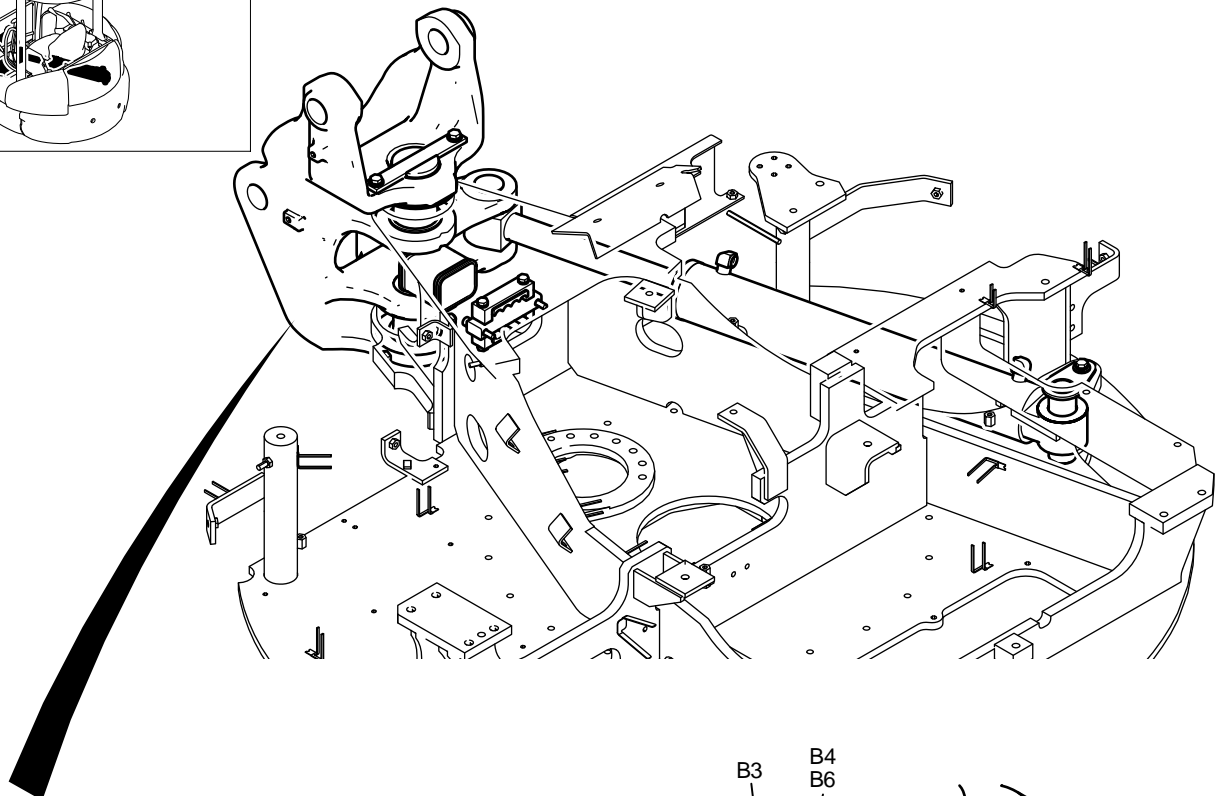
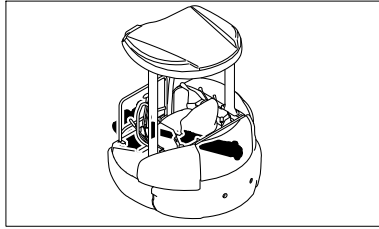


BRAZO ROTACION COMPLETO (NIBBLER & BREAKER)

R	N	P.N.	MOD	Q	Description Denominacion	Descrizione Denominação	Description Beschrijving	Bezeichnung Beskrivelse	L.C.
-		{87340993}		1					
0		87340943		1	CYLINDER ASSY. - ASSY SEE C.P.M.	CILINDRO, COMPLESS.	VERIN	ZYLINDER (KPLT.)	P477
					CILINDRO (CONJUNTO)	CILINDRO CONJUNTO	CYLINDER ASSY.	CYLINDER ASSY.	
A1/A9		72283460		1	SET OF PARTS	SERIE PARTICOLARI	LOT DE PIECES	ERSATZTEILSATZ	119S
					JUEGO DE PIEZAS	CONJUNTO DE PECAS	STEL ONDERDELEN	RESERVEDELSAET	
A1		72283417		1	CLAMP	MORSETTO	BRIDE	KLEMME	120M
					BORNE	BORNE	KLEM	SPÆNDEBÅND	
A2		72283418		2	CLAMP	MORSETTO	BRIDE	KLEMME	120M
					BORNE	BORNE	KLEM	SPÆNDEBÅND	
A3		72283419		2	GASKET	GUARNIZIONE	JOINT	DICHTUNG, FLACH	123G
					JUNTA HERMETICA	JUNTA	DICHTINGSSTUK	PAKNING	
A4		72285188		1	GROMMET	ANELLO PASSACAVO	PASSE-FIL	TÛLLE	131A
					PASACABLES	CASQUILHO ISOLADOR	KABELDOORGANG	RING	
A5		72951695		4	SCREW	VITE	VIS	SCHRAUBE	040V
					TORNILLO	PARAFUSO	SCHROEF	SKRUE	
A6		72955464		2	SCREW	VITE	VIS	SCHRAUBE	040V
					TORNILLO	PARAFUSO	SCHROEF	SKRUE	
A7		72951762		4	WASHER, LOCK	ROSETTA DI SICUREZZA	RONDELLE FREIN	SPRENGRING	132R
					ARANDELA DE FRENO	ANILHA DE FIXACAO	VEERRING	LAASESKIVE	
A8		12581679		2	WASHER	ROSETTA PIANA	RONDELLE	BEILAGSCHEIBE	131R
					ARANDELA	ANILHA	SLUITRING	FLADSKIVE	
A9		72951499		2	CLIP	FERMAGLIO	CLIP	KLAMMER	045F
					SUJETADOR	FIXADOR	KLEM	KLIPS	
B1/B9		{87340950}		1					
B1		{87340951}		1					
B2		{87340953}		1					
B3		{87340954}		1					
B4		72951701		3	SCREW	VITE	VIS	SCHRAUBE	040V
					TORNILLO	PARAFUSO	SCHROEF	SKRUE	
B5		72950359		1	WASHER	ROSETTA PIANA	RONDELLE	BEILAGSCHEIBE	131R
					ARANDELA	ANILHA	SLUITRING	FLADSKIVE	
B6		72114686		3	WASHER	ROSETTA PIANA	RONDELLE	BEILAGSCHEIBE	131R
					ARANDELA	ANILHA	SLUITRING	FLADSKIVE	
B7		72953007		6	SHIM	SPESSORE	CALE D'EPAISSEUR	EINSTELLSCHEIBCHEN	198S
					SUPLEMENTO	CALCO DE AFINACAO	DIKTEPLAAT	MELLEMLÆG	
B8		72952931		2	SPACER	DISTANZIALE	ENTRETOISE	DISTANZSTÜCK	075D
					SEPARADOR	ESPACADOR	AFSTANDSRING	AFSTANDSSTYKKE	
B9		72285259		2	SHIM	SPESSORE	CALE D'EPAISSEUR	EINSTELLSCHEIBCHEN	198S
					SUPLEMENTO	CALCO DE AFINACAO	DIKTEPLAAT	MELLEMLÆG	
C1/C11		87340955		1	SET OF PARTS	SERIE PARTICOLARI	LOT DE PIECES	ERSATZTEILSATZ	119S
					JUEGO DE PIEZAS	CONJUNTO DE PECAS	STEL ONDERDELEN	RESERVEDELSAET	
C1		{87340956}		1					

E50.2SR

BRACKET ASSY, SWING (NIBBLER & BREAKER)
BRACCIO ROTAZIONE COMPLETO (NIBBLER & BREAKER)
BALANCIER COMPLET (NIBBLER & BREAKER)
SCHWINGARM (NIBBLER & BREAKER)

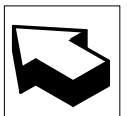
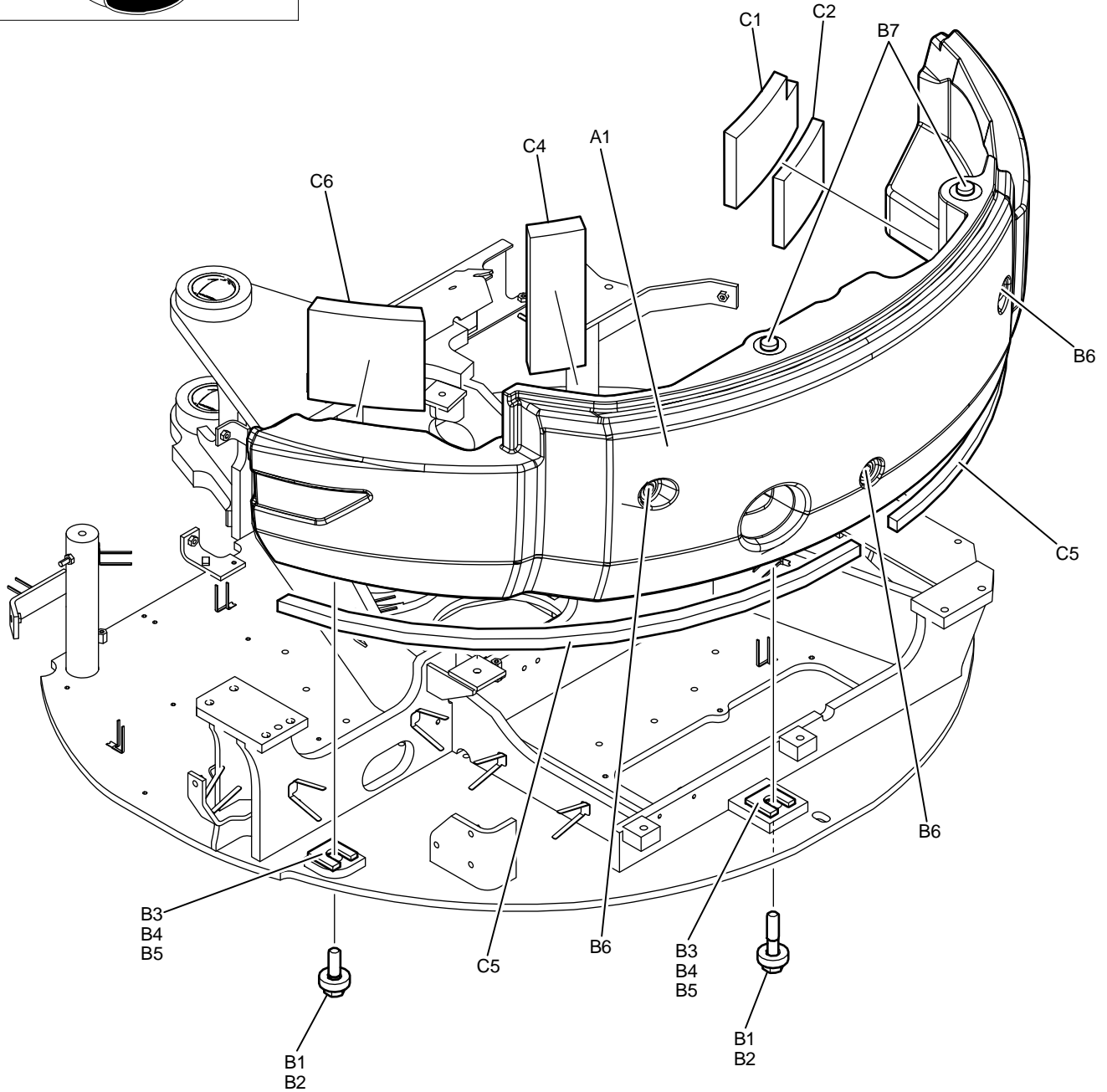
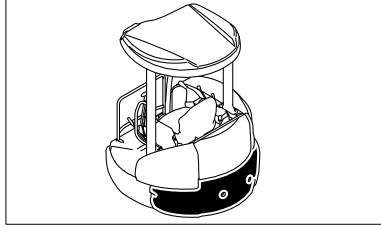


BRAZO ROTACION COMPLETO (NIBBLER & BREAKER)

R	N	P.N.	MOD	Q	Description Denominacion	Descrizione Denominação	Description Beschrijving	Bezeichnung Beskrivelse	L.C.
C2		{87340957}		1					
C3		{87340958}		1					
C4		72953001		1	WASHER ARANDELA	ROSETTA PIANA ANILHA	RONDELLE SLUITRING	BEILAGSCHEIBE FLADSKIVE	131R
C5		72953002		1	WASHER ARANDELA	ROSETTA PIANA ANILHA	RONDELLE SLUITRING	BEILAGSCHEIBE FLADSKIVE	131R
C6		72953006		1	SHIM SUPLEMENTO	SPESSORE CALCO DE AFINACAO	CALE D'EPaisseur DIKTEPLAAT	EINSTELLSCHEIBCHEN MELLEMLÆG	198S
C7		72952767		2	SEAL ANILLO DE CIERRE	ANELLO DI TENUTA ANEL DE VEDACAO	JOINT DICHTINGSRING	DICHTUNG PAKNINGSRING	132A 040V
C8		72951701		2	SCREW TORNILLO	VITE PARAFUSO	VIS SCHROEF	SCHRAUBE SKRUE	040V
C9		72952974		1	SCREW TORNILLO	VITE PARAFUSO	VIS SCHROEF	SCHRAUBE SKRUE	040V
C10		72283448		2	WASHER ARANDELA	ROSETTA PIANA ANILHA	RONDELLE SLUITRING	BEILAGSCHEIBE FLADSKIVE	131R
C11		72280507		2	NUT TUERCA	DADO PORCA	ECROU MOER	MUTTER MOETRIK	010D
D1/D2		72286342		1	HOLDER SOPORTE	SOSTEGNO SUPORTE	SUPPORT HOUDER	HALTER HOLDER	174S
D1		72286343		1	HOLDER SOPORTE	SOSTEGNO SUPORTE	SUPPORT HOUDER	HALTER HOLDER	174S
D2		72283456		1	BUSHING CASQUILLO	BOCCOLA CASQUILHO	BAGUE LAGERBUS	BUECHSE BOESNING	095B

E50.2SR

COUNTERWEIGHT INSTALLATIONS
INSTALLAZIONE ZAVORRA
LEST INSTALLATIONS
BALLASTANLAGE

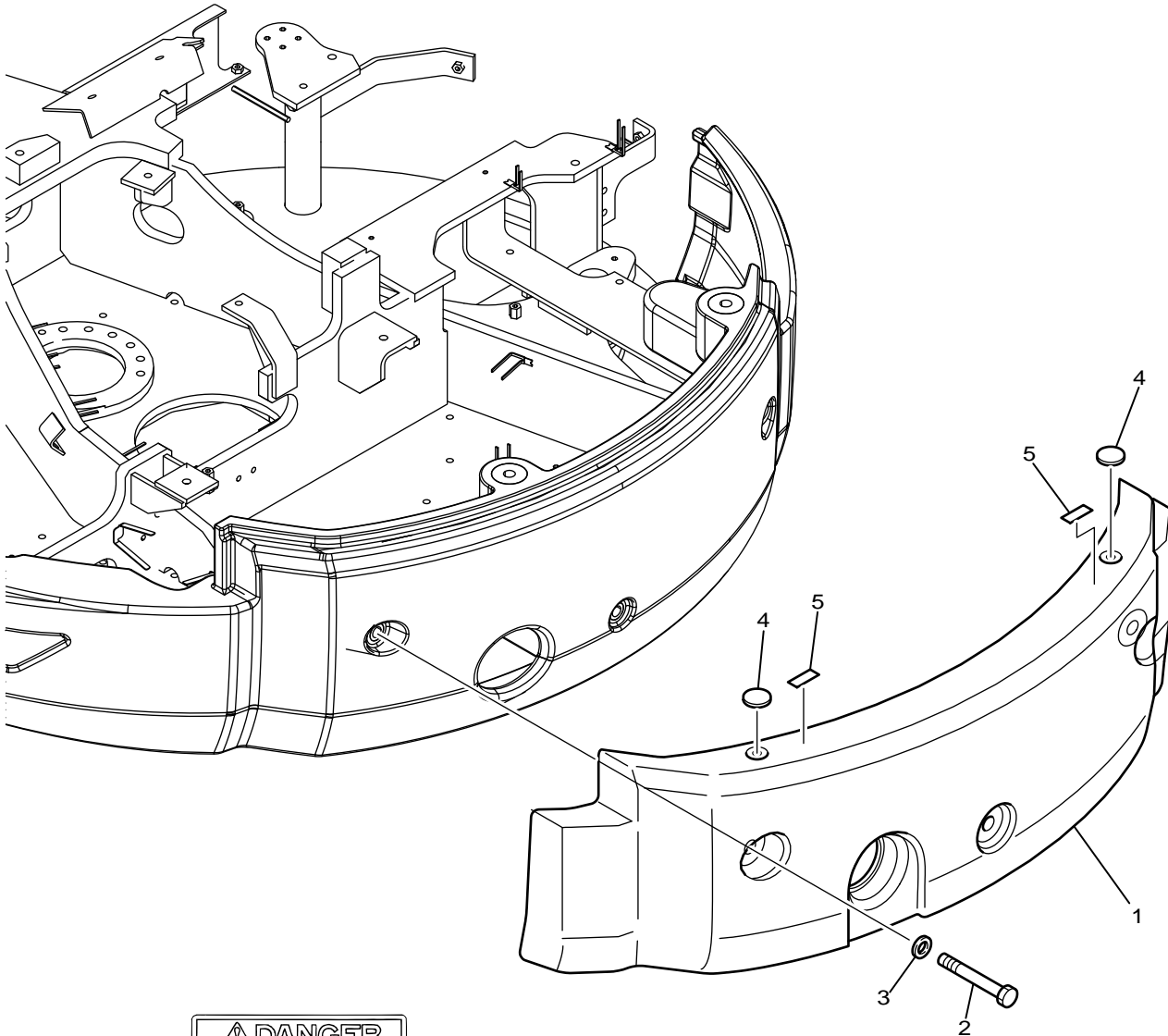
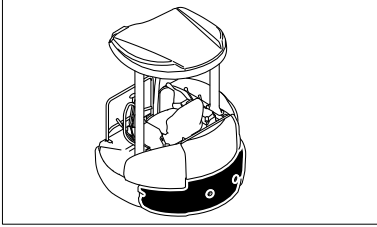


LASTRE INSTALACION

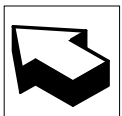
R	N	P.N.	MOD	Q	Description Denominacion	Descrizione Denominação	Description Beschrijving	Bezeichnung Beskrivelse	L.C.
-		{87343916}		1					
A1		72286352		1	WEIGHT LASTRE	ZAVORRA BALASTRO	POIDS BALLAST	GEWICHT FRONTVAEGT	010Z
B1/B7		72283468		1	WEIGHT LASTRE	ZAVORRA BALASTRO	POIDS BALLAST	GEWICHT FRONTVAEGT	010Z
B1		72283320		3	SCREW TORNILLO	VITE PARAFUSO	VIS SCHROEF	SCHRAUBE SKRUE	040V
B2		72280515		3	WASHER ARANDELA	ROSETTA PIANA ANILHA	RONDELLE SLUITRING	BEILAGSCHEIBE FLADSKIVE	131R
B3		72283469		3	SHIM 3.2 SUPLEMENTO	SPESSORE CALCO DE AFINACAO	CALE D'EPAISSEUR DIKTEPLAAT	EINSTELLSCHEIBCHEN MELLEMLÆG	198S
B4		72283470		3	SHIM 2.0 SUPLEMENTO	SPESSORE CALCO DE AFINACAO	CALE D'EPAISSEUR DIKTEPLAAT	EINSTELLSCHEIBCHEN MELLEMLÆG	198S
B5		72283471		3	SHIM 1.0 SUPLEMENTO	SPESSORE CALCO DE AFINACAO	CALE D'EPAISSEUR DIKTEPLAAT	EINSTELLSCHEIBCHEN MELLEMLÆG	198S
B6		72283641		3	PLUG TAPÓN	TAPPO BUJAO	BOUCHON PLUG	STOPFEN PROP	050T
B7		72283642		2	SPACER SEPARADOR	DISTANZIALE ESPACADOR	ENTRETOISE AFSTANDSRING	DISTANZSTÜCK AFSTANDSSTYKKE	075D
C1/C6		72284711		1	WEIGHT LASTRE	ZAVORRA BALASTRO	POIDS BALLAST	GEWICHT FRONTVAEGT	010Z
C1		72284712		1	INSULATION, FOAM ESPUMA AISLANTE	SCHIUMA ISOLANTE ESPUMA ISOLANTE	MOUSSE ISOLANTE ISOLATIESCHUIM	ISOLIERUNG SKUM ISOLERING	051S
C2		72284713		1	INSULATION, FOAM ESPUMA AISLANTE	SCHIUMA ISOLANTE ESPUMA ISOLANTE	MOUSSE ISOLANTE ISOLATIESCHUIM	ISOLIERUNG SKUM ISOLERING	051S
C4		72284714		1	INSULATION, FOAM ESPUMA AISLANTE	SCHIUMA ISOLANTE ESPUMA ISOLANTE	MOUSSE ISOLANTE ISOLATIESCHUIM	ISOLIERUNG SKUM ISOLERING	051S
C5		72283475		2	INSULATION, FOAM ESPUMA AISLANTE	SCHIUMA ISOLANTE ESPUMA ISOLANTE	MOUSSE ISOLANTE ISOLATIESCHUIM	ISOLIERUNG SKUM ISOLERING	051S
C6		72283476		1	INSULATION, FOAM ESPUMA AISLANTE	SCHIUMA ISOLANTE ESPUMA ISOLANTE	MOUSSE ISOLANTE ISOLATIESCHUIM	ISOLIERUNG SKUM ISOLERING	051S

E50.2SR

COUNTERWEIGHT (GAIN)
CONTRAPPESO (GAIN)
CONTREPOIDS (GAIN)
GEGENGEWICHT (GAIN)



⚠ DANGER
Do not use counterweight lifting eyes to lift whole machine. Lifting eyes can fall under this load resulting in personal injury.
Refer to operators manual for proper way of lifting machine.
YN20T01221P1



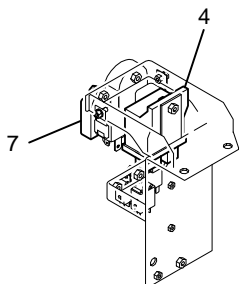
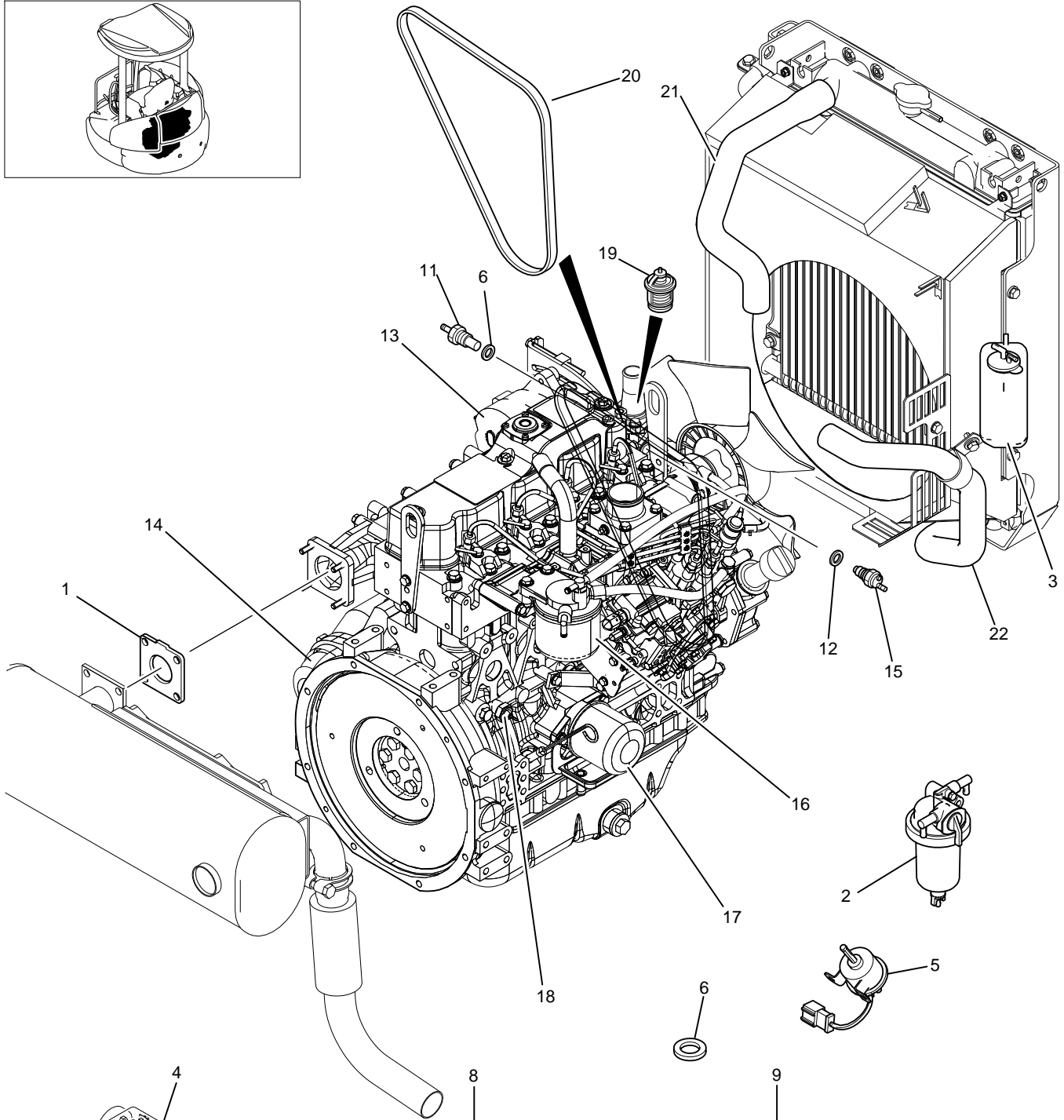
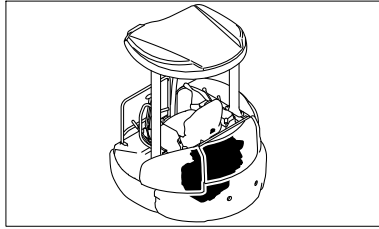
CONTRAPESO (GAIN)
BALANCEAMENTO (GAIN)

MODVÆGT (GAIN)

R	N	P.N.	MOD	Q	Description Denominacion	Descrizione Denominação	Description Beschrijving	Bezeichnung Beskrivelse	L.C.
1/6		{72286326}		1					
1		72286324		1	WEIGHT LASTRE	ZAVORRA BALASTRO	POIDS BALLAST	GEWICHT FRONTVAEGT	010Z
2		72150009		3	SCREW TORNILLO	VITE PARAFUSO	VIS SCHROEF	SCHRAUBE SKRUE	040V
3		72280515		3	WASHER ARANDELA	ROSETTA PIANA ANILHA	RONDELLE SLUITRING	BEILAGSCHEIBE FLADSKIVE	131R
4		72283642		2	SPACER SEPARADOR	DISTANZIALE ESPACADOR	ENTRETOISE AFSTANDSRING	DISTANZSTÜCK AFSTANDSSTYKKE	075D
6		{87341058}		2					

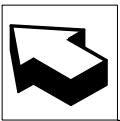
E50.2SR

ENGINE ASSY
MOTORE TERMICO
MOTEUR THERMIQUE
MOTOR



IMPORTANT ENGINE INFORMATION
 THIS ENGINE CONFORMS TO E.C. MODEL YEAR U.S. EPA REGULATIONS
 REGARDING COMPRESSION IGNITION ENGINES.
 THIS ENGINE IS CERTIFIED TO OPERATE ON "95-10" FUEL
 ENGINE FAMILY : DISPLACEMENT : LITERS
 ENGINE MODEL : EMISSION CONTROL SYSTEM : EX
 FUEL RATE : G/GHP
 REFER OWNER'S MANUAL FOR MAINTENANCE SPECIFICATIONS AND
 ADJUSTMENTS
 YANMAR DIESEL ENGINE Co., Ltd.

IMPORTANT ENGINE INFORMATION
 THIS ENGINE CONFORMS TO 87/60/EE DIRECTIVE
 ENGINE FAMILY :
 ENGINE MODEL :
 APPROVAL NUMBER :
 YANMAR DIESEL ENGINE CO., LTD.

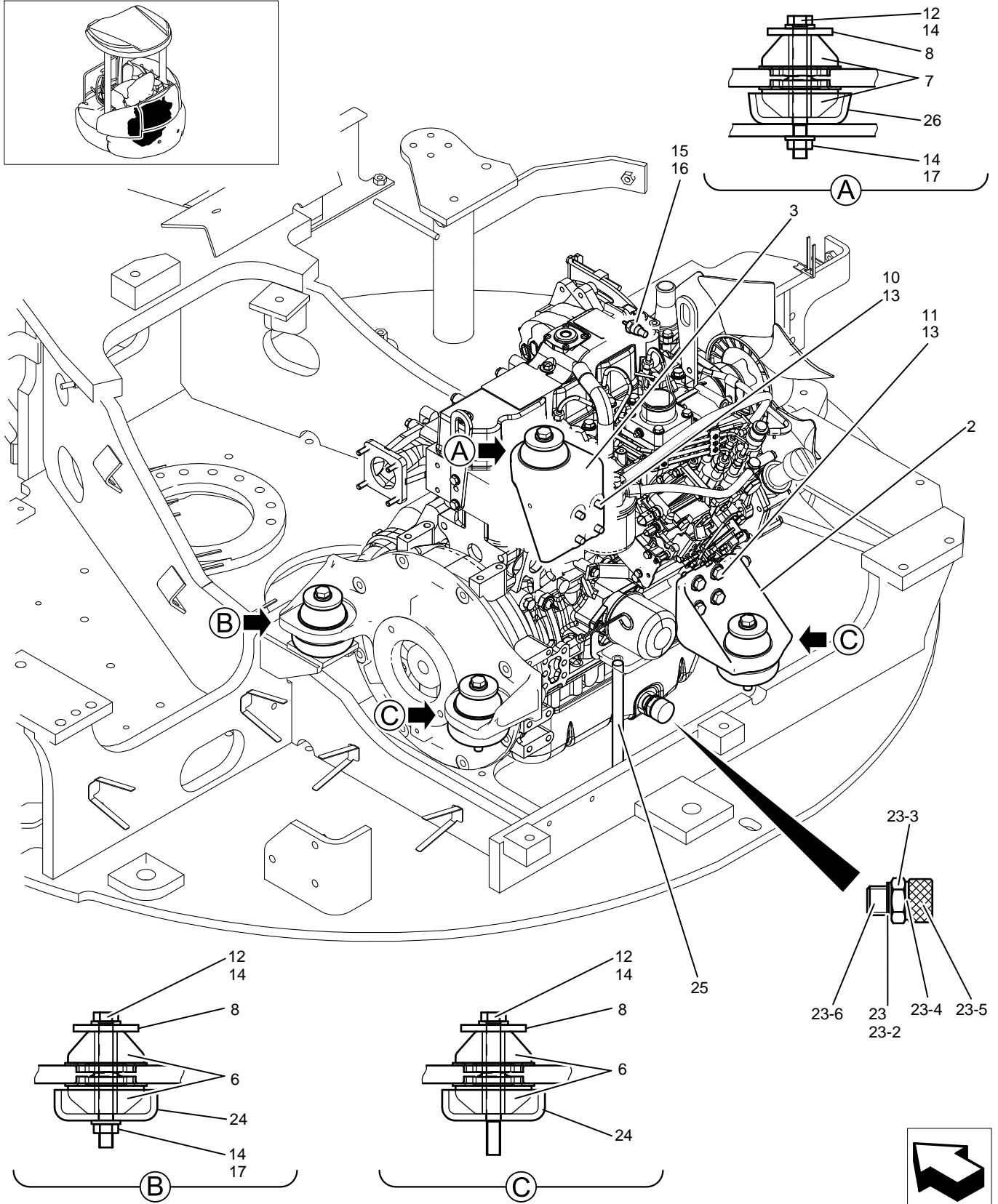


MOTOR

R	N	P.N.	MOD	Q	Description Denominacion	Descrizione Denominação	Description Beschrijving	Bezeichnung Beskrivelse	L.C.
1/22		72283827		1	ENGINE MOTOR	MOTORE MOTOR	MOTEUR MOTOR	MOTOR MOTOR	130M
1		72283531		1	GASKET JUNTA HERMETICA	GUARNIZIONE JUNTA	JOINT DICHTINGSSTUK	DICHTUNG, FLACH PAKNING	123G
2		72280600		1	SET OF PARTS JUEGO DE PIEZAS	SERIE PARTICOLARI CONJUNTO DE PECAS	LOT DE PIECES STEL ONDERDELEN	ERSATZTEILSATZ RESERVEDELSSAET	119S
3		72271530		1	TANK DEPOSITO	SERBATOIO DEPOSITO	RESERVOIR TANK	TANKBEHÄLTER TANK	115S
4		72281260		1	RELAY CONECTADOR	RELE' CONECTADOR	RELAIS RELAIS	RELAIS RELAE	011R
5		72280608		1	PUMP, FUEL BOMBA DE ALIMENTACI	POMPA DI ALIMENTAZIC BOMBA DE COMBUSTIVI	POMPE D'ALIMENTATIOI BRANDSTOFPOMP	KRAFTSTOFFPUMPE BRAENDSTOFFPUMPE	154P
6		72273660		2	GASKET JUNTA HERMETICA	GUARNIZIONE JUNTA	JOINT DICHTINGSSTUK	DICHTUNG, FLACH PAKNING	123G
7		72273635		1	SWITCH CONTACTOR	INTERRUTTORE INTERRUPTOR	CONTACTEUR AAN-UIT SCHAKELAAR	SCHALTER KONTAKT	075I
8		72273669		1	LABEL ETIQUETA	ETICHETTA ETIQUETA	ETIQUETTE ETIKET	ETIKETTE ETIKET	077E
9		72951847		1	LABEL ETIQUETA	ETICHETTA ETIQUETA	ETIQUETTE ETIKET	ETIKETTE ETIKET	077E
11		72273958		1	SENSOR SENSOR	SENSORE SENSOR	CAPTEUR SENSOR	SENSOR FØLER	608S
12		72952747		2	PACKING EMPAQUETADURA	GUARNIZIONE, IMBALLA EMBALAGEM	GARNITURE/ETOUPE PACKING	DICHTPACKUNG PACKING	5950
13		72280446		1	ALTERNATOR ALTERNADOR	ALTERNATORE ALTERNADOR	ALTERNATEUR ALTERNATOR	DREHSTROMGENERATOR VEKSELSTRØMSGENER	025A
14		72283910		1	MOTOR, STARTER MOTOR DE ARRANQUE	MOTORINO DI AVVIAMEI MOTOR ARRANQUE REC	DEMARREUR STARTMOTOR	ANLASSER STARTMOTOR	133M
15		72951914		1	SWITCH CONTACTOR	INTERRUTTORE INTERRUPTOR	CONTACTEUR AAN-UIT SCHAKELAAR	SCHALTER KONTAKT	075I
16		72285864		1	FILTER FILTRO	FILTRO FILTRO	FILTRE FILTER	FILTER FILTER	065F
17		72285863		1	KIT EQUIPO	CORREDO KIT	KIT KIT	SATZ UDSTYR	305C
18		72951910		1	SWITCH CONTACTOR	INTERRUTTORE INTERRUPTOR	CONTACTEUR AAN-UIT SCHAKELAAR	SCHALTER KONTAKT	075I
19		72280395		1	THERMOSTAT TERMOSTATO	TERMOSTATO TERMOSTATO	THERMOSTAT THERMOSTAAT	THERMOSTAT THERMOSTAT	096T
20		72283911		1	V-BELT CORREA TRAPEZOIDAL	CINGHIA, TRAPEZ CORREIA V	COURROIE TRAPEZOID. V-BELT	KEILRIEMEN V-BELT	Z087
21		72283486		1	HOSE, LARGE Manguito	TUBO FLESSIBILE,GRDE MANGOTE	Durite HOSE, LARGE	SCHLAUCH, GROSS HOSE, LARGE	Z336
22		72283487		1	HOSE, LARGE Manguito	TUBO FLESSIBILE,GRDE MANGOTE	Durite HOSE, LARGE	SCHLAUCH, GROSS HOSE, LARGE	Z336

E50.2SR

ENGINE INSTALLATIONS
INSTALLAZIONE MOTORE
INSTALLATIONS DU MOTEUR
MOTORANLAGE



INSTALACIÓN MOTOR

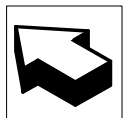
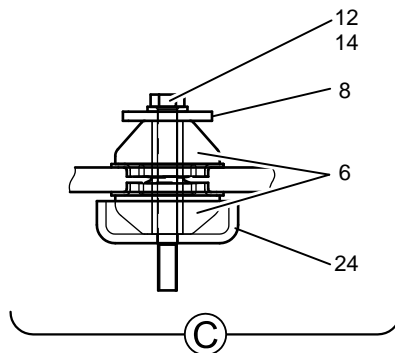
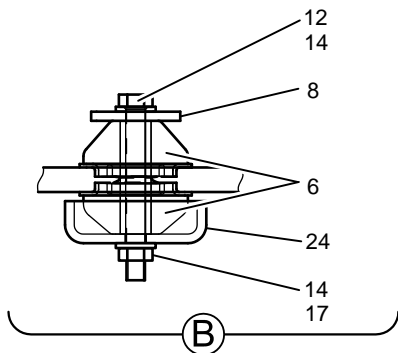
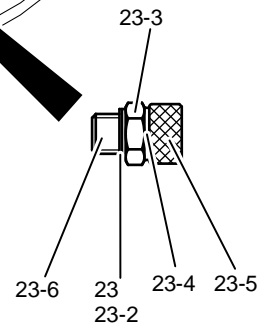
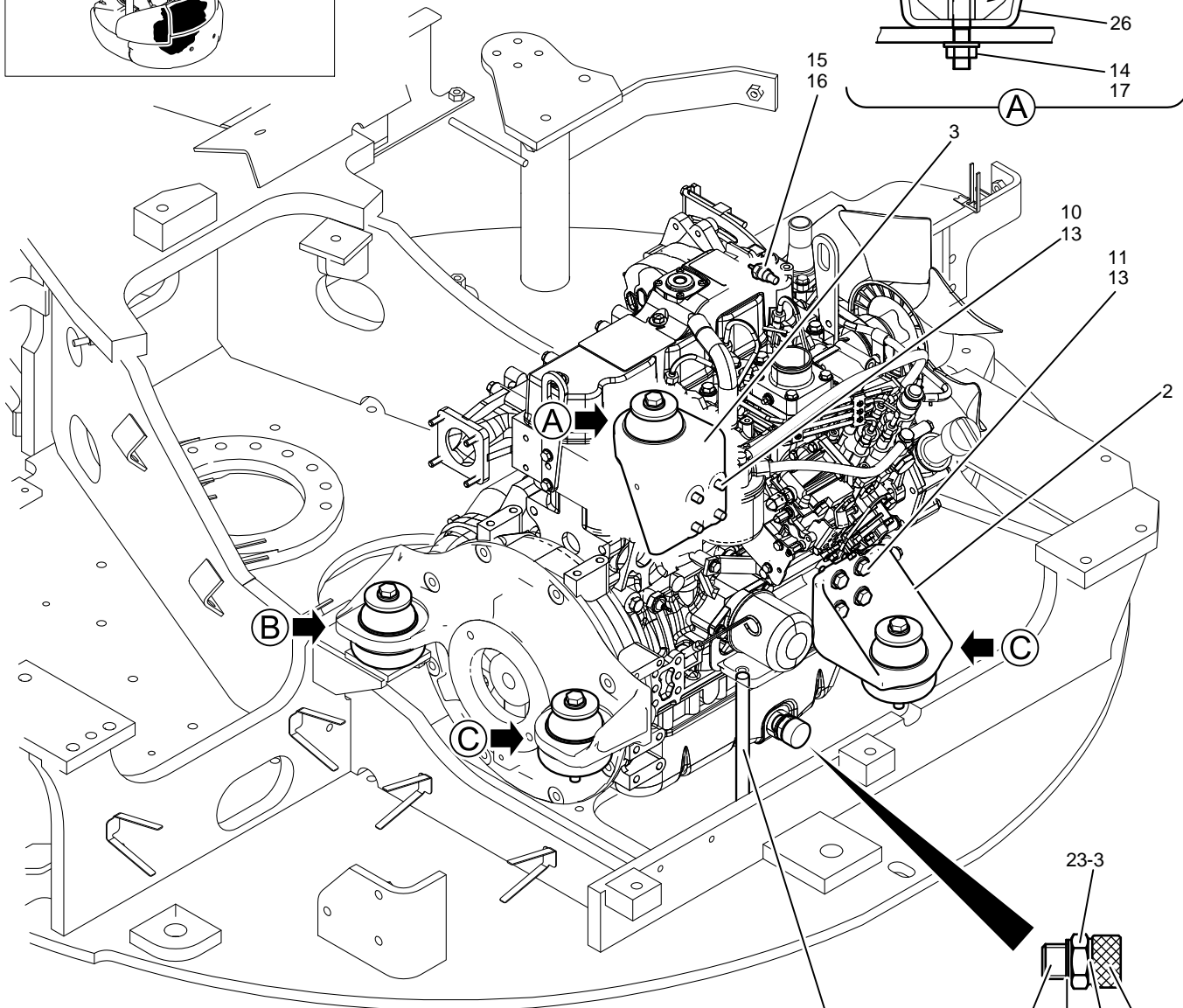
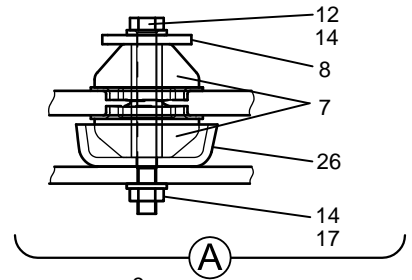
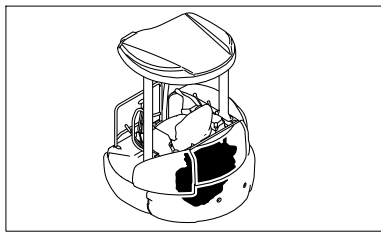
R	N	P.N.	MOD	Q	Description Denominacion	Descrizione Denominação	Description Beschrijving	Bezeichnung Beskrivelse	L.C.
2/26		72283477		1	SET OF PARTS JUEGO DE PIEZAS	SERIE PARTICOLARI CONJUNTO DE PECAS	LOT DE PIECES STEL ONDERDELEN	ERSATZTEILSATZ RESERVEDELSSAET	119S
2		72283479		1	BRACKET PIEZA DE SOPORTE	STAFFA BRACADEIRA	PATTE FIXATION STEUNBEUGEL	HALTERUNG BESLAG	225S
3		72283480		1	BRACKET PIEZA DE SOPORTE	STAFFA BRACADEIRA	PATTE FIXATION STEUNBEUGEL	HALTERUNG BESLAG	225S
6		72280520		6	MOUNTING, RUBBER TEJUELO, GOMA	SUPPORTO, DI GOMMA MONTAGEM DE BORRA	PALIER CAOUTCHOUC MOUNTING, RUBBER	GUMMIHALTERUNG MOUNTING, RUBBER	P777
7		72283481		2	MOUNTING, RUBBER TEJUELO, GOMA	SUPPORTO, DI GOMMA MONTAGEM DE BORRA	PALIER CAOUTCHOUC MOUNTING, RUBBER	GUMMIHALTERUNG MOUNTING, RUBBER	P777
8		72951034		4	WASHER ARANDELA	ROSETTA PIANA ANILHA	RONDELLE SLUITRING	BEILAGSCHEIBE FLADSKIVE	131R
10		47045387		4	SCREW TORNILLO	VITE PARAFUSO	VIS SCHROEF	SCHRAUBE SKRUE	040V
11		72951692		4	SCREW TORNILLO	VITE PARAFUSO	VIS SCHROEF	SCHRAUBE SKRUE	P136
12		72953339		4	SCREW TORNILLO	VITE PARAFUSO	VIS SCHROEF	SCHRAUBE SKRUE	040V
13		47045385		8	WASHER ARANDELA	ROSETTA PIANA ANILHA	RONDELLE SLUITRING	BEILAGSCHEIBE FLADSKIVE	131R
14		72283448		6	WASHER ARANDELA	ROSETTA PIANA ANILHA	RONDELLE SLUITRING	BEILAGSCHEIBE FLADSKIVE	131R
15		72273958		1	SENSOR SENSOR	SENSORE SENSOR	CAPTEUR SENSOR	SENSOR FØLER	608S
16		72273660		1	GASKET JUNTA HERMETICA	GUARNIZIONE JUNTA	JOINT DICHTINGSSTUK	DICHTUNG, FLACH PAKNING	123G
17		72280507		2	NUT TUERCA	DADO PORCA	ECROU MOER	MUTTER MOETRIK	010D
23		72280522		1	SET OF PARTS JUEGO DE PIEZAS	SERIE PARTICOLARI CONJUNTO DE PECAS	LOT DE PIECES STEL ONDERDELEN	ERSATZTEILSATZ RESERVEDELSSAET	119S
23-2		72280523		1	WASHER ARANDELA	ROSETTA PIANA ANILHA	RONDELLE SLUITRING	BEILAGSCHEIBE FLADSKIVE	131R
23-3		72280524		1	BODY CUERPO	CORPO CORPO	CORPS LICHAAM	KÖRPER HUS	300C
23-4		72280525		1	O-RING JUNTA HERMETICA	ANELLO TOROIDALE O-RING	JOINT THORIQUE O-RING	O-RING O-RING	055A
23-5		72280526		1	CAP TAPON DEL DEPOSITO	TAPPO SERBATOIO TAPPO DE RESERVAT	CHAPEAU RESERVOIRDOP	KAPPE TANKDAEKSEL	052T
23-6		72280527		1	PLUG TAPÓN	TAPPO BUJAO	BOUCHON PLUG	STOPFEN PROP	050T
24		72280528		3	COVER TAPADERA	COPERCHIO COBERTA	COUVERCLE DEKSEL	DECKEL DÆKSEL	265C
25		72280529		1	HOSE MANGA	MANICOTTO FLESSIBILE TUBO FLEXIVEL	FLEXIBLE FLEXIBELE BUIS	SCHLAUCH SLANGE	030M
26	1, 2	72283483		1	COVER TAPADERA	COPERCHIO COBERTA	COUVERCLE DEKSEL	DECKEL DÆKSEL	265C

(1) UP TO S/N PJ04-03089

(2) FROM S/N PJ04-03001

E50.2SR

ENGINE INSTALLATIONS
INSTALLAZIONE MOTORE
INSTALLATIONS DU MOTEUR
MOTORANLAGE



INSTALACIÓN MOTOR

R	N	P.N.	MOD	Q	Description Denominacion	Descrizione Denominação	Description Beschrijving	Bezeichnung Beskrivelse	L.C.
26	1, 2	72285147		1	COVER TAPADERA	COPERCHIO COBERTA	COUVERCLE DEKSEL	DECKEL DÆKSEL	265C
26	3	72285248		1	COVER TAPADERA	COPERCHIO COBERTA	COUVERCLE DEKSEL	DECKEL DÆKSEL	265C

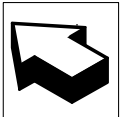
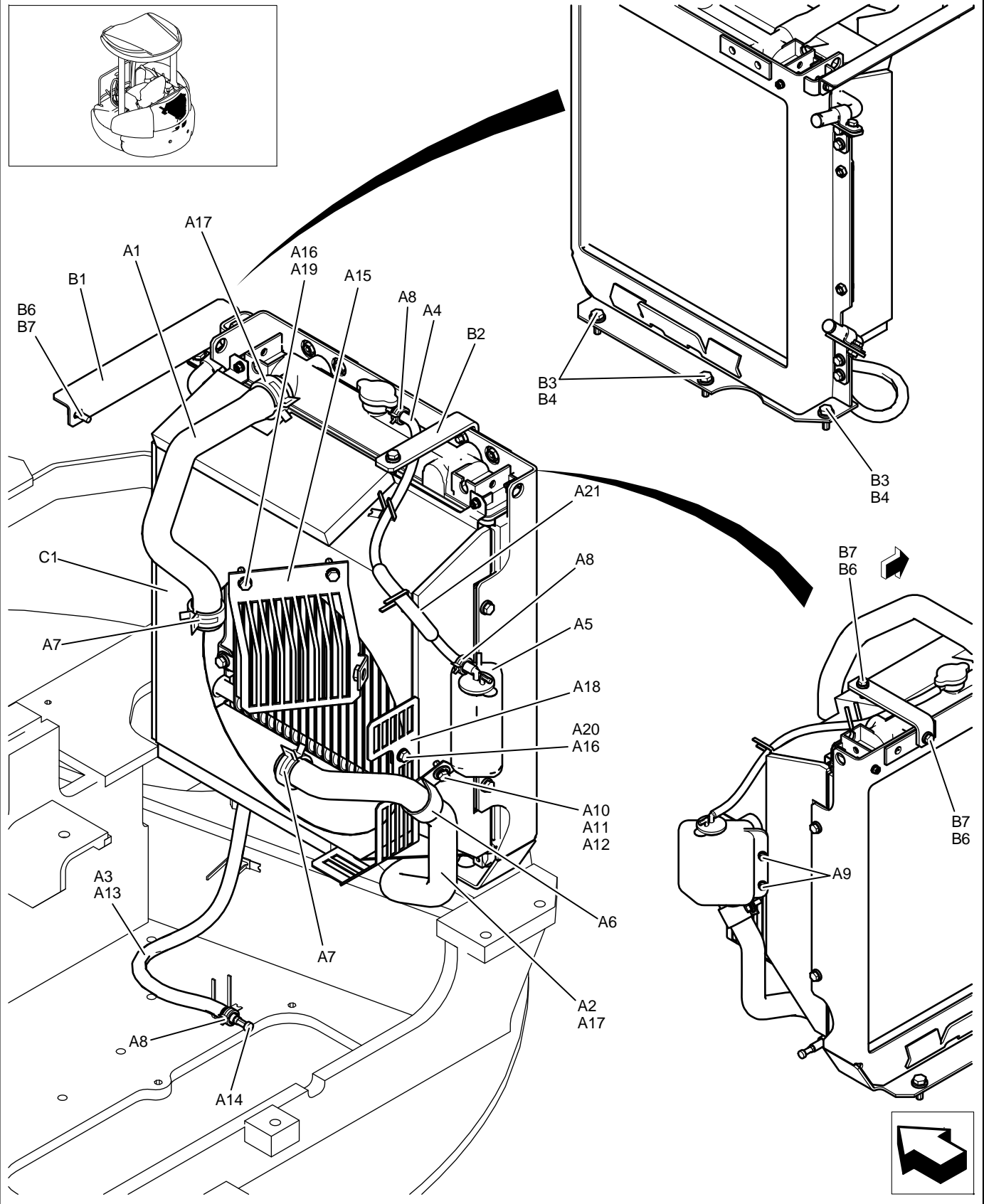
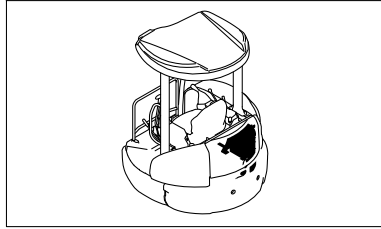
(1) UP TO S/N PJ04-03103

(2) FROM S/N PJ04-03090

(3) UP TO S/N PJ04-03104

E50.2SR

RADIATOR
RADIATORE
RADIATEUR
KÜHLER



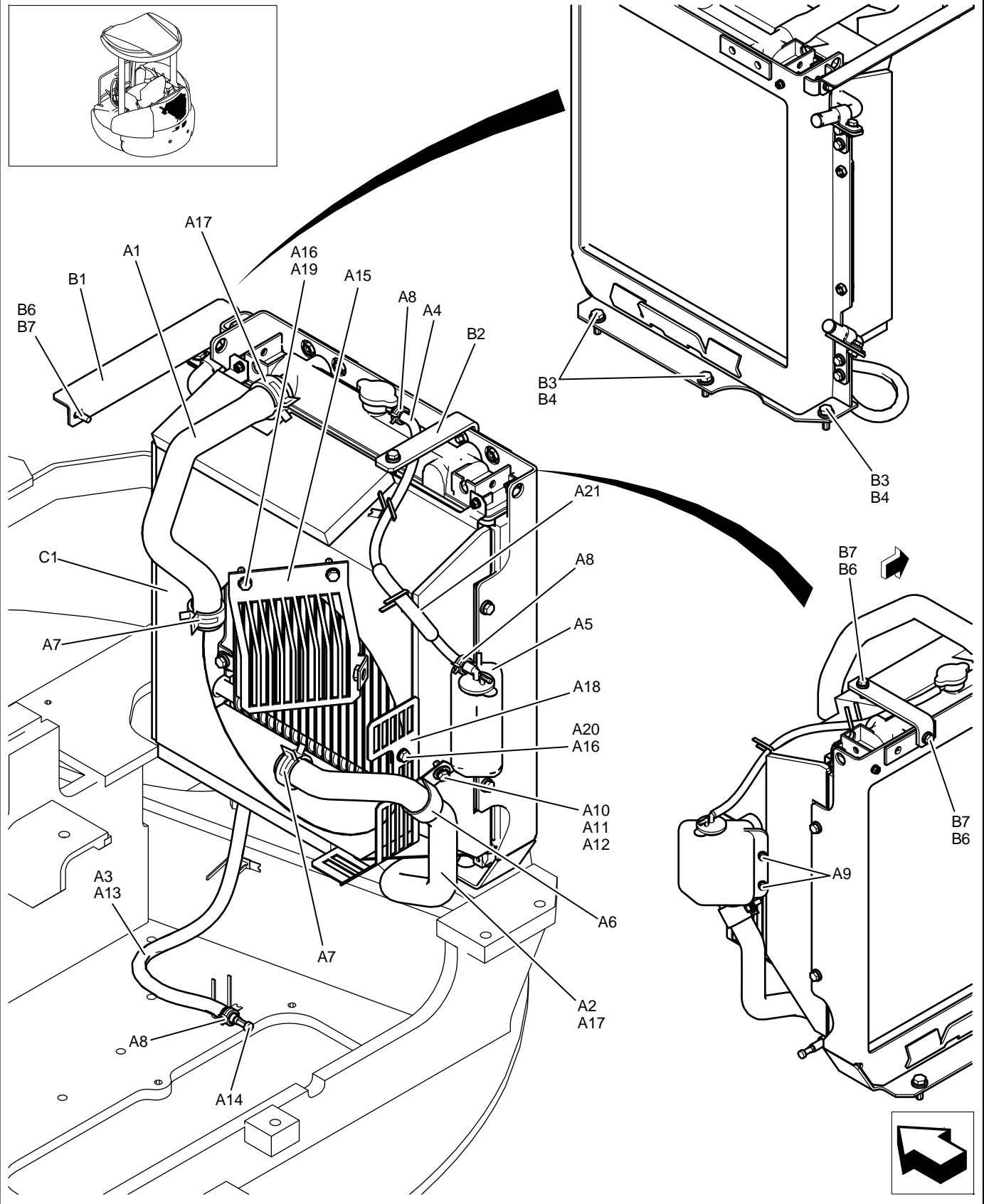
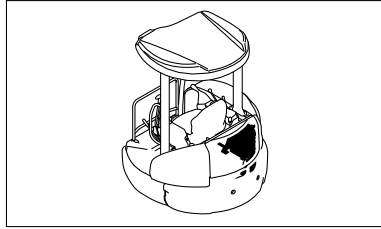
RADIADOR

R	N	P.N.	MOD	Q	Description Denominacion	Descrizione Denominação	Description Beschrijving	Bezeichnung Beskrivelse	L.C.
-		{72283485}		1					
A1/A21		72283484		1	SET OF PARTS JUEGO DE PIEZAS	SERIE PARTICOLARI CONJUNTO DE PECAS	LOT DE PIECES STEL ONDERDELEN	ERSATZTEILSATZ RESERVEDELSSAET	119S
A1		72283486		1	HOSE, LARGE Manguito	TUBO FLESSIBILE,GRDE MANGOTE	Durite HOSE, LARGE	SCHLAUCH, GROSS HOSE, LARGE	Z336
A2		72283487		1	HOSE, LARGE Manguito	TUBO FLESSIBILE,GRDE MANGOTE	Durite HOSE, LARGE	SCHLAUCH, GROSS HOSE, LARGE	Z336
A3		{NS}		1					
A4		{NS}		1					
A5		72271530		1	TANK DEPOSITO	SERBATOIO DEPOSITO	RESERVOIR TANK	TANKBEHÄLTER TANK	115S
A6		72271597		1	BATTERY, WET BATERIA CARGA HUMIDE	BATERIA, UMIDA BATERIA T. HUMIDA	BATTERIE HUMIDE NATTE BATTERIJ	BATTERIE, NASS BATTERI, VAADLADET	039B
A7		72950593		2	CLIP SUJETADOR	FERMAGLIO FIXADOR	CLIP KLEM	KLAMMER KLIPS	045F
A8		{NS}		4					
A9		72951649		2	SCREW TORNILLO	VITE PARAFUSO	VIS SCHROEF	SCHRAUBE SKRUE	040V
A10		72951685		1	SCREW TORNILLO	VITE PARAFUSO	VIS SCHROEF	SCHRAUBE SKRUE	040V
A11		12581579		1	WASHER ARANDELA	ROSETTA PIANA ANILHA	RONDELLE SLUITRING	BEILAGSCHEIBE FLADSKIVE	131R
A12		72209113		1	WASHER ARANDELA	ROSETTA PIANA ANILHA	RONDELLE SLUITRING	BEILAGSCHEIBE FLADSKIVE	131R
A13		72955943		1	TUBE TUBO	TUBETTO TUBO	TUBE BUISJE	LEITUNG RØR	195T
A14		72280535		1	PLUG TAPÓN	TAPPO BUJAO	BOUCHON PLUG	STOPFEN PROP	050T
A15		72283488		1	GUARD DEFENSA	RIPARO PROTECCAO	GARANT AFSCHERMING	SCHUTZBLECH BESKYTTELSSESKAERM	070R
A16		13559021		4	WASHER ARANDELA	ROSETTA PIANA ANILHA	RONDELLE SLUITRING	BEILAGSCHEIBE FLADSKIVE	131R
A17		72283489		2	CLIP SUJETADOR	FERMAGLIO FIXADOR	CLIP KLEM	KLAMMER KLIPS	045F
A18		72283490		1	GUARD DEFENSA	RIPARO PROTECCAO	GARANT AFSCHERMING	SCHUTZBLECH BESKYTTELSSESKAERM	070R
A19		72953334		2	SCREW TORNILLO	VITE PARAFUSO	VIS SCHROEF	SCHRAUBE SKRUE	040V
A20		72951684		2	SCREW TORNILLO	VITE PARAFUSO	VIS SCHROEF	SCHRAUBE SKRUE	040V
A21	1	72283543		1	TUBE ASSY. TUBO (CONJUNTO)	TUBO, COMPLESSIVO TUBO CONJUNTO	TUYAUTERIE TUBE ASSY.	ROHRLEITUNG TUBE ASSY.	P465
B1/B7		72283491		1	SET OF PARTS JUEGO DE PIEZAS	SERIE PARTICOLARI CONJUNTO DE PECAS	LOT DE PIECES STEL ONDERDELEN	ERSATZTEILSATZ RESERVEDELSSAET	119S

(1) FROM S/N PJ04-03074

E50.2SR

RADIATOR
RADIATORE
RADIATEUR
KÜHLER

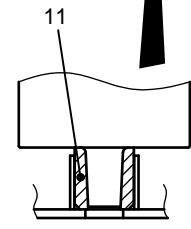
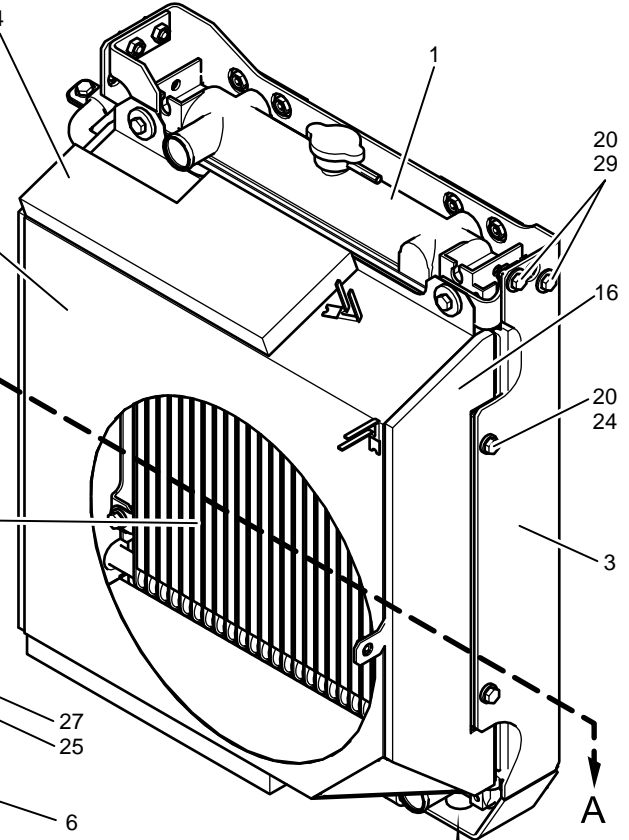
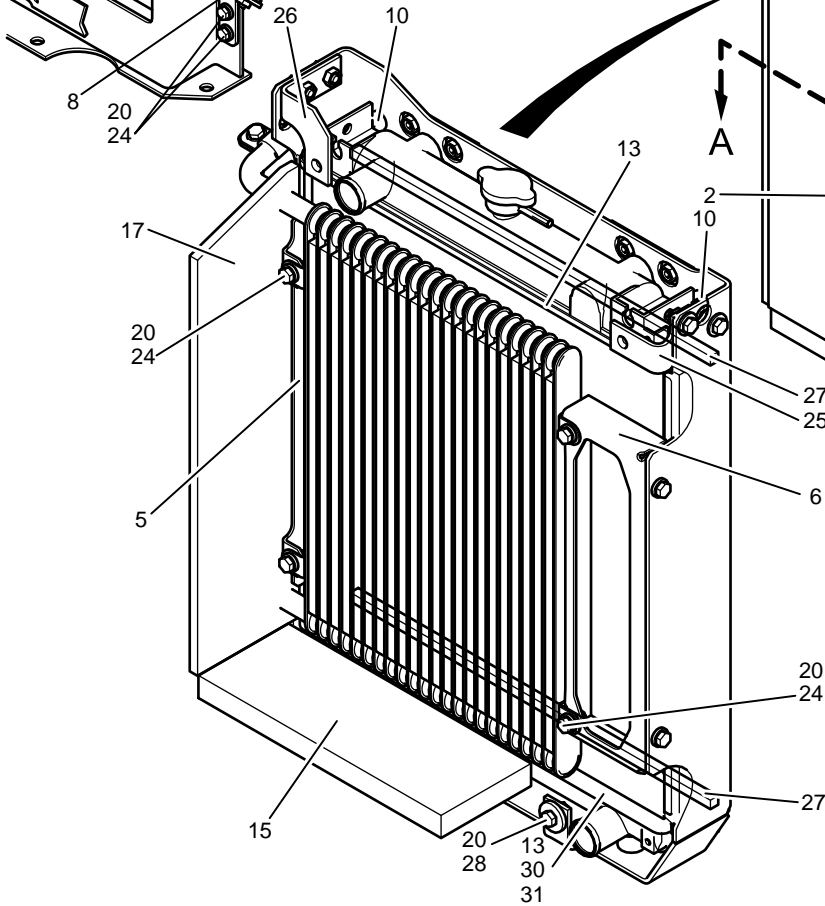
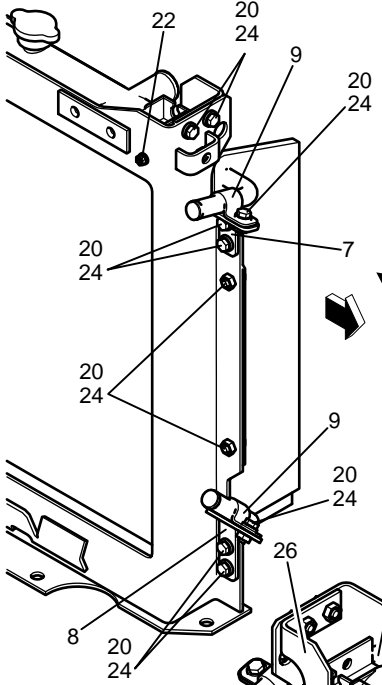
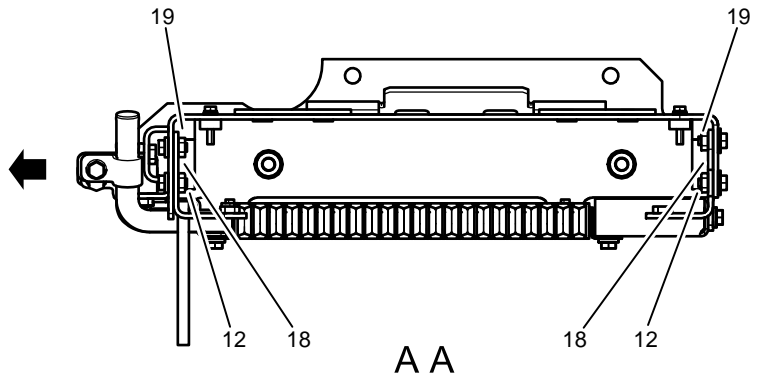
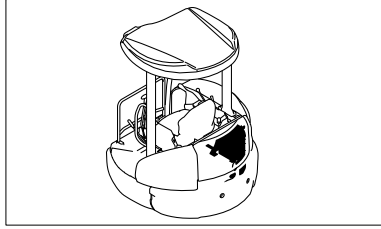


RADIADOR

R	N	P.N.	MOD	Q	Description Denominacion	Descrizione Denominação	Description Beschrijving	Bezeichnung Beskrivelse	L.C.
B1		72283492		1					
B2		72283493		1					
B3		72951692		3	SCREW TORNILLO	VITE PARAFUSO	VIS SCHROEF	SCHRAUBE SKRUE	P136
B4		47045385		3	WASHER ARANDELA	ROSETTA PIANA ANILHA	RONDELLE SLUITRING	BEILAGSCHEIBE FLADSKIVE	131R
B6		47045396		4	SCREW TORNILLO	VITE PARAFUSO	VIS SCHROEF	SCHRAUBE SKRUE	040V
B7		13559021		4	WASHER ARANDELA	ROSETTA PIANA ANILHA	RONDELLE SLUITRING	BEILAGSCHEIBE FLADSKIVE	131R
C1		72283494		1	RADIATOR - ASSY SEE P.034 RADIADOR	RADIATORE ARREFECEDOR	RADIATEUR RADIATORKOELER	KÜHLER KØLER	025R

E50.2SR

RADIATOR
RADIATORE
RADIATEUR
KÜHLER



Complete manual From
aservicemanualpdf.com

**Thank you very much
for your reading.**

Please Click Here

**Then Get More
Information.**