

PARTS CATALOG

Product Line

**CATALOGO PARTI
DI RICAMBIO**

Model E35.2SR

**CATALOGUE DES PIECES
DETACHEES**

ERSATZTEILKATALOG

**CATÁLOGO DES PIEZAS
DE REPUESTO**

**CATÁLOGO DE PEÇAS
SOBRESSALENTES**

ONDERDELENLIJST

RESERVEDELSKATALOG

CATALOGUE n. 604.04.330.00
4th Edition 12 - 2007

 **NEW HOLLAND**

SECTION INDEX

General

0 - VERSION	00	IDENTIFICATION AND VERSION LIST
0. 0039		SERVICE MAINTENANCE KIT
0.000	00	MAINTENANCE PARTS
0.000	01	ENGINE INSTALLATIONS
0.001	01	AIR CLEANER
0.001A	01	AIR CLEANER
0.002	02	MUFFLER
0.003	01	RADIATOR - INSTAL
0.003	01A	RADIATOR - INSTAL
0.003	02	RADIATOR
0.003	02A	RADIATOR
0.003	03	RADIATOR - COMPONENTS
0.003	03A	RADIATOR - COMPONENTS
0.004	01	CONTROL ASSY ENGINE (WITH DECEL)
0.004A	01	LEVER ASSY THROTTLE - COMPONENTS
0.004B	01	LINK ASSY - COMPONENTS
0.004C	1	MOTOR GOVERNOR ASSY - COMPONENTS
0.021	01	DIESEL ENGINE - KIT
0.021	02	GASKET SET
0.040	01	CRANKCASE
0.042	01	FLYWHEEL HOUSING & OIL SUMP
0.043	01	CRANKCASE COVERS
0.060	01	CYLINDER HEAD & BONNET
0.071	01	INTAKE MANIFOLD
0.077	1	EXHAUST MANIFOLD
0.080	01	CRANKSHAFT & DRIVING GEAR
0.081	01	CRANKSHAFT & PISTON
0.140	01	FUEL INJECTION PUMP
0.140	01	FUEL INJECTION PUMP
0.149	1	FUEL INJECTION VALVE - PIPING
0.203	01	FUEL LINE
0.305	01	LUB OIL SYSTEM
0.323	01	ENGINE COOLING SYSTEM
0.360	01	STARTER MOTOR
0.400	01	CURRENT GENERATOR

IDENTIFICATION AND VERSION LIST

IDENTIFICAZIONE ED ELENCO DELLE VERSIONI

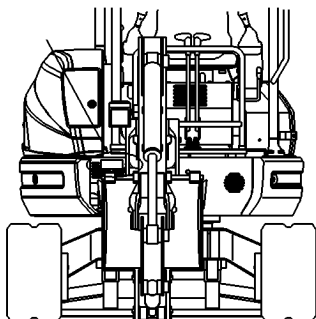
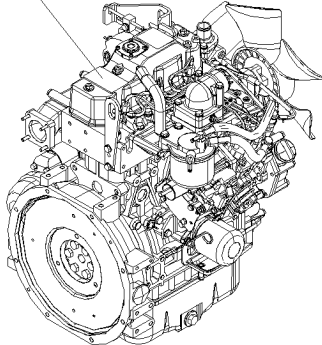
KENNZEICHEN UND VERZEICHNIS DER VERSIONEN

IDENTIFICATION ET LISTE DES VERSIONS

MODELS MODELLI MODELES MODELLE MODELOS	ENGINEERING CODE DENOMINAZIONE TECNICA DESIGNATION TECHNIQUE TECHNISCHE BEZEICHNUNG DESIGNACION TECNICA	ENGINE MODEL MODELLO DEL MOTORE MODELE DU MOTEUR MOTORBAUMUSTER MODELO DEL MOTOR	NUMERICAL CODE CODICE NUMERICO CODE NUMERIQUE KENNNUMBER CODIGO NUMERICO
E35.2SR	72170057 (CAB) 72170056 (CANOPY)	YANMAR 3TNV88-PYB	---

MODELS MODELLI MODELES MODELLE MODELOS	MODEL SERIAL NUMBER - NUMERO DI MATRICOLA DEL MODELLO NUMERO DE SERIE DU MODELE MODELL-SERIENNUMMER - NUMERO DE SERIE DEL MODELO	
	PRODUCT CODE CODICE PRODOTTO CODE DE PRODUCTION PRODUKT KODEX CODIGO DEL PRODUCTO	UNIT NO. TELAIO NUMERO DE L'UNITE EINHEITS-NR. NUM.DE LA UNIDAD
E35.2SR	E35.2SR	N5GN01498

RECORD YOUR SERIAL NUMBERS BELOW - REGISTRATE I VOSTRI NUMERI DI MATRICOLA QUI SOTTO
ENREGISTREZ VOS NUMEROS DE SERIE CI-DESSOUS - UNTEN SERIENNUMMER VIERMERKEN
ANOTE AQUI LOS NUMEROS DE SERIE

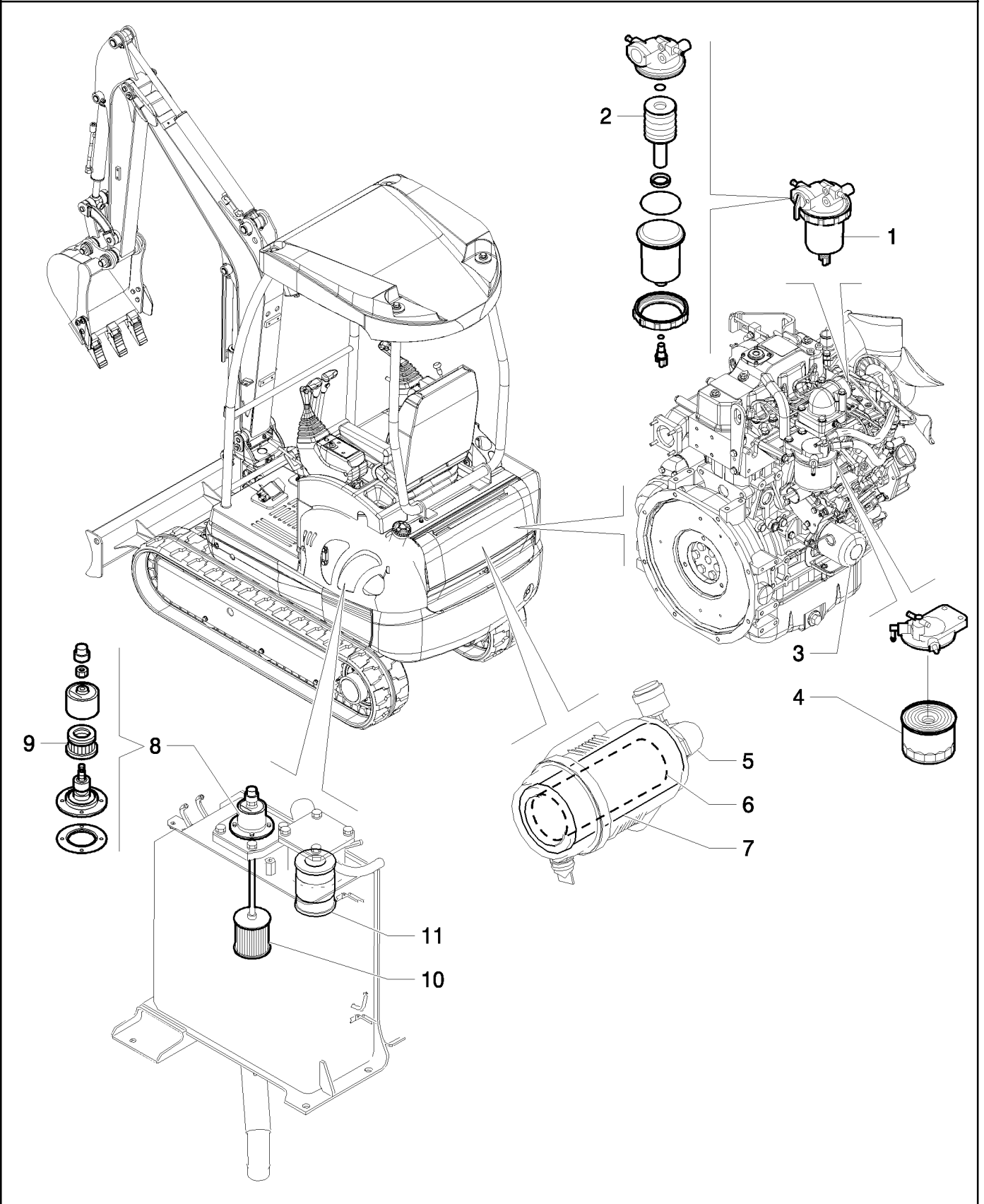
MACHINE SERIAL NUMBER MATRICOLA DELLA MACCHINA NUMERO DE SERIE DE LA MACHINE SERIENNUMMER DER MASCHINE NUMERO DE SERIE DE LA MAQUINA	ENGINE SERIAL NUMBER MATRICOLA DEL MOTORE NUMERO DE SERIE DU MOTEUR SERIENNUMMER DES MOTORS NUMERO DE SERIE DEL MOTOR
	
MACHINE SERIAL NUMBER LOCATION POSIZIONE DEL NUMERO DI MATRICOLA DELLA MACCHINA EMPLACEMENT DU NUMERO DE SERIE DE LA MACHINE ORT DER SERIENNUMMER DER MASCHINE UBICACION NUMERO DE SERIE DE LA MAQUINA	ENGINE SERIAL NUMBER LOCATION POSIZIONE DEL NUMERO DI MATRICOLA DEL MOTORE EMPLACEMENT DU NUMERO DE SERIE DU MOTEUR ORT DER SERIENNUMMER DES MOTORS UBICACION NUMERO DE SERIE DEL MOTOR

KIT DE MANTENIMIENTO Y SERVICIO
 SERVICEVEDLIGEHODELSESSÆT
 KIT DE MANUTENÇÃO DE SERVIÇO
 ONDERHOUDSSET

R	N	P.N.	MOD	Q	Description Denominacion	Descrizione Beskrivelse	Bezeichnung Denominação	Description Beschrijving	L.C.
1		73317350		1	KIT,SERV MAINTENANCE, 250 hrs KIT,SERV MANTENIMIE.	KIT,SERV MANUTENZIOI KIT,SERV MANUTENçAC	PAKUNGWARTUNGSDIE KIT,SERV MANUTENçAC	KIT,SERV MAINTENANC KIT,SERV MAINTENANC	035K
2		73317351		1	KIT,SERV MAINTENANCE, 500 hrs KIT,SERV MANTENIMIE.	KIT,SERV MANUTENZIOI KIT,SERV MANUTENçAC	PAKUNGWARTUNGSDIE KIT,SERV MANUTENçAC	KIT,SERV MAINTENANC KIT,SERV MAINTENANC	035K
3		73317352		1	KIT,SERV MAINTENANCE, 1000 hrs KIT,SERV MANTENIMIE.	KIT,SERV MANUTENZIOI KIT,SERV MANUTENçAC	PAKUNGWARTUNGSDIE KIT,SERV MANUTENçAC	KIT,SERV MAINTENANC KIT,SERV MAINTENANC	035K
4		73317353		1	KIT,SERV MAINTENANCE, 2000 hrs KIT,SERV MANTENIMIE.	KIT,SERV MANUTENZIOI KIT,SERV MANUTENçAC	PAKUNGWARTUNGSDIE KIT,SERV MANUTENçAC	KIT,SERV MAINTENANC KIT,SERV MAINTENANC	035K

E35.2SR

MAINTENANCE PARTS
PARTICOLARI PER LA MANUTENZIONE
ERSATZTEILEN FUER DER WARTUNG
PIECES POUR L'ENTRETIEN



0.000

00

p1

09/07

REPUESTOS POUR MANUTENCION
 MAINTENANCE PARTS
 MAINTENANCE PARTS
 MAINTENANCE PARTS

R	N	P.N.	MOD	Q	Description Denominacion	Descrizione Beskrivelse	Bezeichnung Denominação	Description Beschrijving	L.C.
1	1	72280600		1	SEPARATOR SEPARADOR	SEPARATORE KERNEUDSKILLER	SEPARATOR SEPARADOR	SEPARATEUR AFSCHEIDER	P062
2	1	72280430		1	FILTER, COOLANT FILTRO REFRIGERANTE	LIQUIDO REFRIGERANT FILTRO, KØLEMIDDEL	KÜHLMITTELFILTER(1) FILTRO REFRIGERANTE	FILTRE REFRIGERANT FILTRE, KOELVLOEISTO	081F
3	2	72285425		1	FILTER, ENGINE OIL FILTRO DE ACEITE	FILTRO OLIO MOTORE OLIEFILTER	MOTORÖLFILTER FILTRO DE OLEO	FILTRE A HUILE MOTEU OLIEFILTER	067F
4	1	72280422		1	FILTER, FUEL FILTRO DE COMBUSTIBI	FILTRO COMBUSTIBILE BRAENDSTOFFFILTER	KRAFTSTOFFFILTER(1) FILTRO DE COMBUSTIVI	FILTRE A COMBUSTIBLE BRANDSTOFFFILTER	064F
5	3	PW11P00014F1		1	AIR CLEANER DEPURADOR	DEPURATORE LUFTFILTER	LUFTFILTER(1) DEPURADOR	FILTRE A AIR LUCHTREINIGER	021D
6	3	72285862		1	ELEMENT ELEMENTO	ELEMENTO ELEMENT	FILTERELEMENT(1) ELEMENTO	ELÉMENT ELEMENT	Z483
7	3	72285861		1	AIR CLEANER DEPURADOR	DEPURATORE LUFTFILTER	LUFTFILTER(1) DEPURADOR	FILTRE A AIR LUCHTREINIGER	021D
8	4	72284639		1	PLUG TAPÓN	TAPPO PROP	STOPFEN BUJAO	BOUCHON PLUG	050T
9	4	72281517		1	BREATHER RESPIRADERO	SFIATATOIO UDLUFTNINGSSKRUE	ENTLÜFTER(1) RESPIRADOR	RENIFLARD ONTLUCHTER	145S
10	4	PW50V00011F1		1	STRAINER ASSY. COLADOR CONJ	GRUPPO FILTRO STRAINER ASSY.	ANSAUGSIEB, KPL RESPIRO CONJUNTO	CREPINE STRAINER ASSY.	P518
11		72285860		1	FILTER FILTRO	FILTRO FILTER	FILTER FILTRO	FILTRE FILTER	065F

(1) See Page 0.021 - 0.203

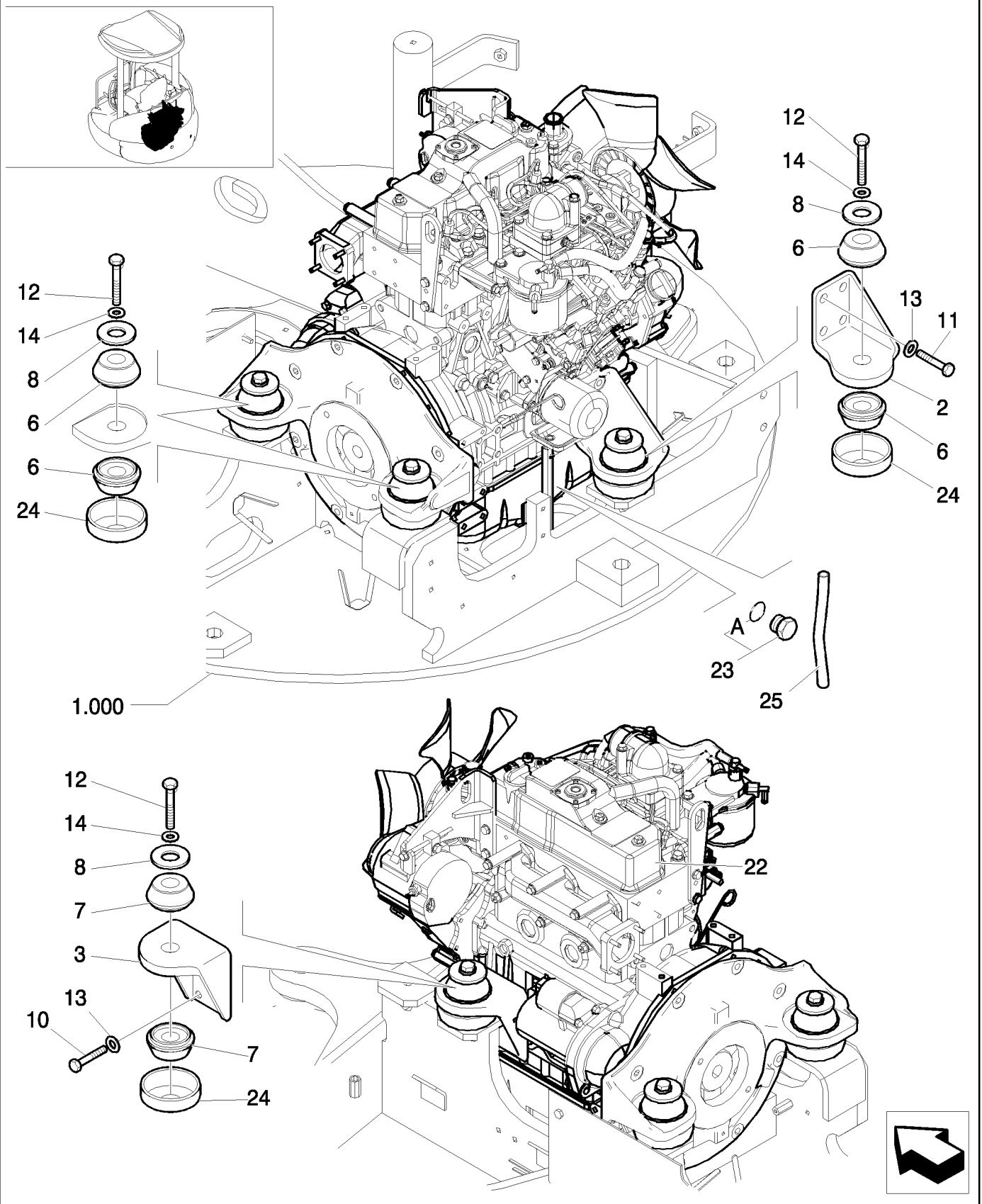
(2) See Page 0.305

(3) See Page 0.001A

(4) See Page 1.020 02

E35.2SR

ENGINE INSTALLATIONS
INSTALLAZIONE MOTORE
MOTORANLAGE
INSTALLATIONS DU MOTEUR



0.000

01

p1

08/07

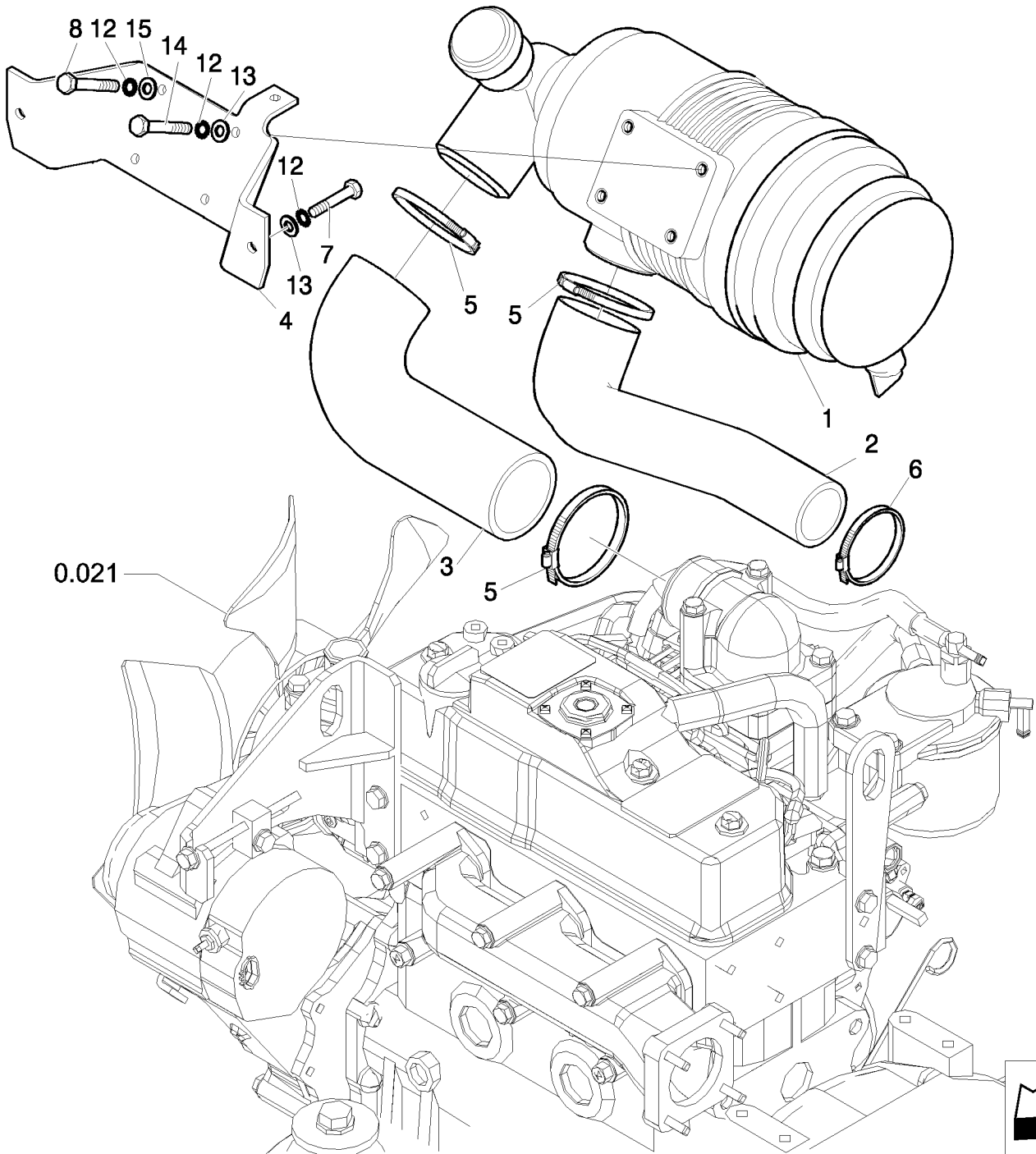
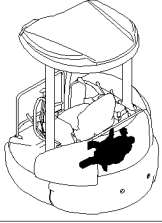
INSTALACIÓN MOTOR
ENGINE INSTALLATIONS
ENGINE INSTALLATIONS
ENGINE INSTALLATIONS

R	N	P.N.	MOD	Q	Description Denominacion	Descrizione Beskrivelse	Bezeichnung Denominação	Description Beschrijving	L.C.
2		PW02P01055P1		1	BRACKET PIEZA DE SOPORTE	STAFFA BESLAG	KONSOLE BRACADEIRA	PATTE FIXATION STEUNBEUGEL	225S
3		PW02P01056P1		1	BRACKET PIEZA DE SOPORTE	STAFFA BESLAG	KONSOLE BRACADEIRA	PATTE FIXATION STEUNBEUGEL	225S
6		PW02P01054D1		6	MOUNT, RUBBER TEJUELO, GOMA	SUPPORTO, DI GOMMA MONTERINGSGUMMIBØ	GUMMIHALTERUNG MONTAGEM DE BORRAK	PALIER CAOUTCHOUC BEVESTIGING, RUBBER	P777
7		PW02P01054D2		2	MOUNT, RUBBER TEJUELO, GOMA	SUPPORTO, DI GOMMA MONTERINGSGUMMIBØ	GUMMIHALTERUNG MONTAGEM DE BORRAK	PALIER CAOUTCHOUC BEVESTIGING, RUBBER	P777
8		PW01P01022P1		4	WASHER ARANDELA	ROSETTA PIANA FLADSKIVE	UNTERLEGSCHIEBE ANILHA	RONDELLE SLUITRING	131R
10		11106234		4	BOLT, Hex, M10 x 25, 10.9, Full Thd, TE M10x25	BULLONE SKRUE	SCHRAUBE PARAFUSO	BOULON BOUT	140B
11		11106434		4	BOLT, Hex, M10 x 30, 10.9, Full Thd	BULLONE SKRUE	SCHRAUBE PARAFUSO	BOULON BOUT	140B
12		11114634		4	SCREW, TE M12x120 TORNILLO	VITE SKRUE	SCHRAUBE PARAFUSO	VIS SCHROEF	040V
13		12626221		8	WASHER, Ø10 ARANDELA	ROSETTA PIANA FLADSKIVE	UNTERLEGSCHIEBE ANILHA	RONDELLE SLUITRING	131R
14		14496721		4	WASHER, M12 x 24 x 2.5 ARANDELA	ROSETTA PIANA FLADSKIVE	UNTERLEGSCHIEBE ANILHA	RONDELLE SLUITRING	131R
22	1	72280301		1	ENGINE MOTOR	MOTORE MOTOR	MOTOR MOTOR	MOTEUR MOTOR	130M
23		PW02P01057F1		1	PLUG TAPÓN	TAPPO PROP	STOPFEN BUJAO	BOUCHON PLUG	050T
23A		LQ02PU1002S004		1	O-RING JUNTA HERMETICA	ANELLO TOROIDALE O-RING	O-RING O-RING	JOINT THORIQUE O-RING	055A
24		PW02P01041P1		4	COVER TAPADERA	COPERCHIO DÆKSEL	ABDECKUNG COBERTA	COUVERCLE DEKSEL	265C
25		PW02P01047D1		1	HOSE MANGA	MANICOTTO FLESSIBILE SLANGE	SCHLAUCH TUBO FLEXIVEL	FLEXIBLE FLEXIBELE BUIS	030M

(1) See Page 0.021

E35.2SR

AIR CLEANER
FILTRO ARIA
LUFTFILTER
FILTRE A AIR



0.001

01

p1

08/07

FILTRO DE AIRE
AIR CLEANER
AIR CLEANER
AIR CLEANER

R	N	P.N.	MOD	Q	Description Denominacion	Descrizione Beskrivelse	Bezeichnung Denominação	Description Beschrijving	L.C.
1	1	87567346		1	FILTER ASSY FILTRO CONJ	FILTRO, COMPLESSIVO FILTER	FILTER, KOMPLETT FILTRO CONJ	FILTRE ASSY FILTER ASSY.	P496
2		PW11P01037P1		1	HOSE MANGA	MANICOTTO FLESSIBILE SLANGE	SCHLAUCH TUBO FLEXIVEL	FLEXIBLE FLEXIBELE BUIS	030M
3		PW11P01031P1		1	HOSE MANGA	MANICOTTO FLESSIBILE SLANGE	SCHLAUCH TUBO FLEXIVEL	FLEXIBLE FLEXIBELE BUIS	030M
4		{87542559}		1					
5		87526525		3	CLAMP COLLAR	MORSETTO CLAMP	SHELLE BRACADEIRA	COLLIER CLAMP	1640
6		87526521		1	CLAMP COLLAR	MORSETTO CLAMP	SHELLE BRACADEIRA	COLLIER CLAMP	1640
7		16043434		2	BOLT, Hex, M8 x 20, 10.9, Full Thd TORNILLO	BULLONE SKRUE	SCHRAUBE PARAFUSO	BOULON BOUT	140B
8		16043634		2	BOLT, Hex, M8 x 25, 10.9, Full Thd TORNILLO	BULLONE SKRUE	SCHRAUBE PARAFUSO	BOULON BOUT	140B
12		10571779		6	WASHER, LOCK, M8 ARANDELA DE FRENO	ROSETTA DI SICUREZZA LAASEKIVE	SICHERUNGSSCHEIBE ANILHA DE FIXACAO	RONDELLE FREIN VEERRING	132R
13		14496521		6	WASHER, M8 x 17 x 1.6 ARANDELA	ROSETTA PIANA FLADSKIVE	UNTERLEGSCHIEBE ANILHA	RONDELLE SLUITRING	131R
14		16043234		2	BOLT, Hex, M8 x 16, 10.9, Full Thd TORNILLO	BULLONE SKRUE	SCHRAUBE PARAFUSO	BOULON BOUT	140B
15		12654421		2	WASHER, Ø8 ARANDELA	ROSETTA PIANA FLADSKIVE	UNTERLEGSCHIEBE ANILHA	RONDELLE SLUITRING	131R

(1) See Page 0.001A

E35.2SR

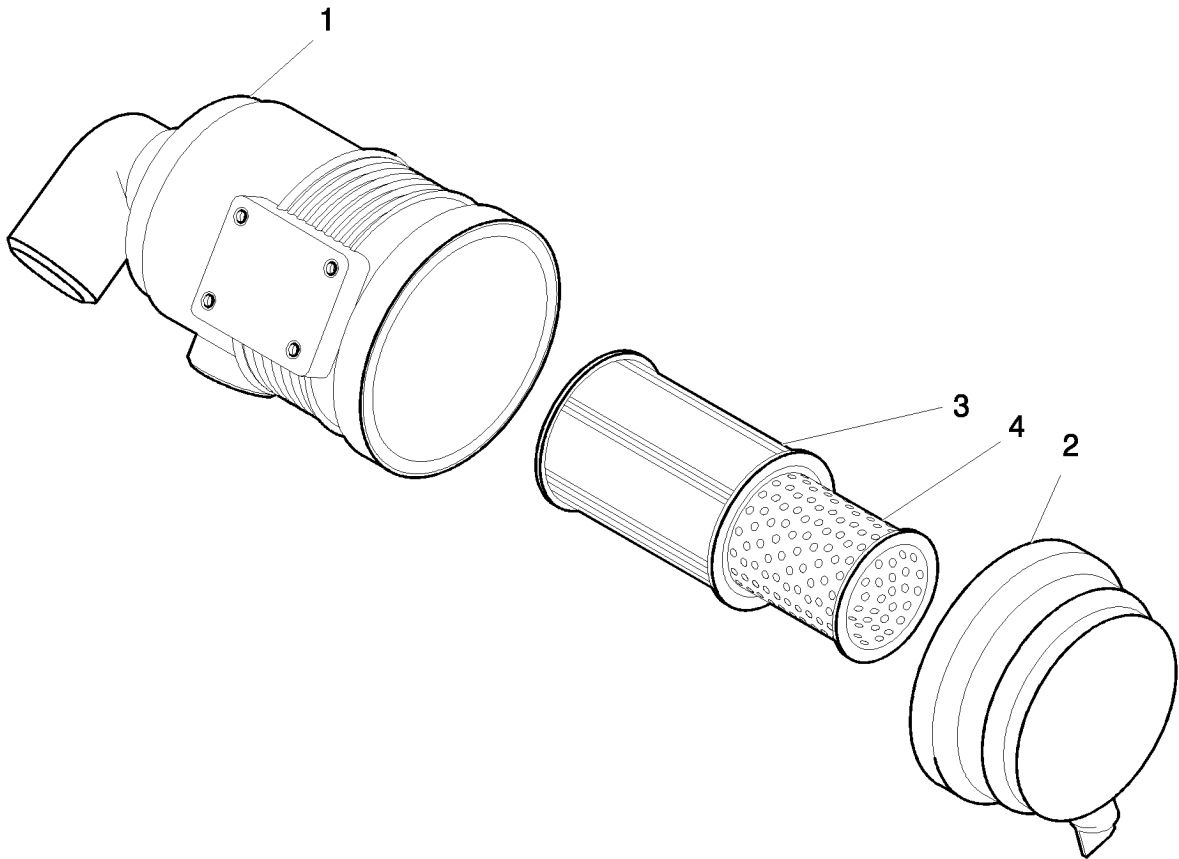
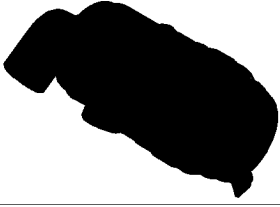
0.001A

01

p1

08/07

AIR CLEANER
FILTRO ARIA
LUFTFILTER
FILTRE A AIR



0.001A

01

p1

08/07

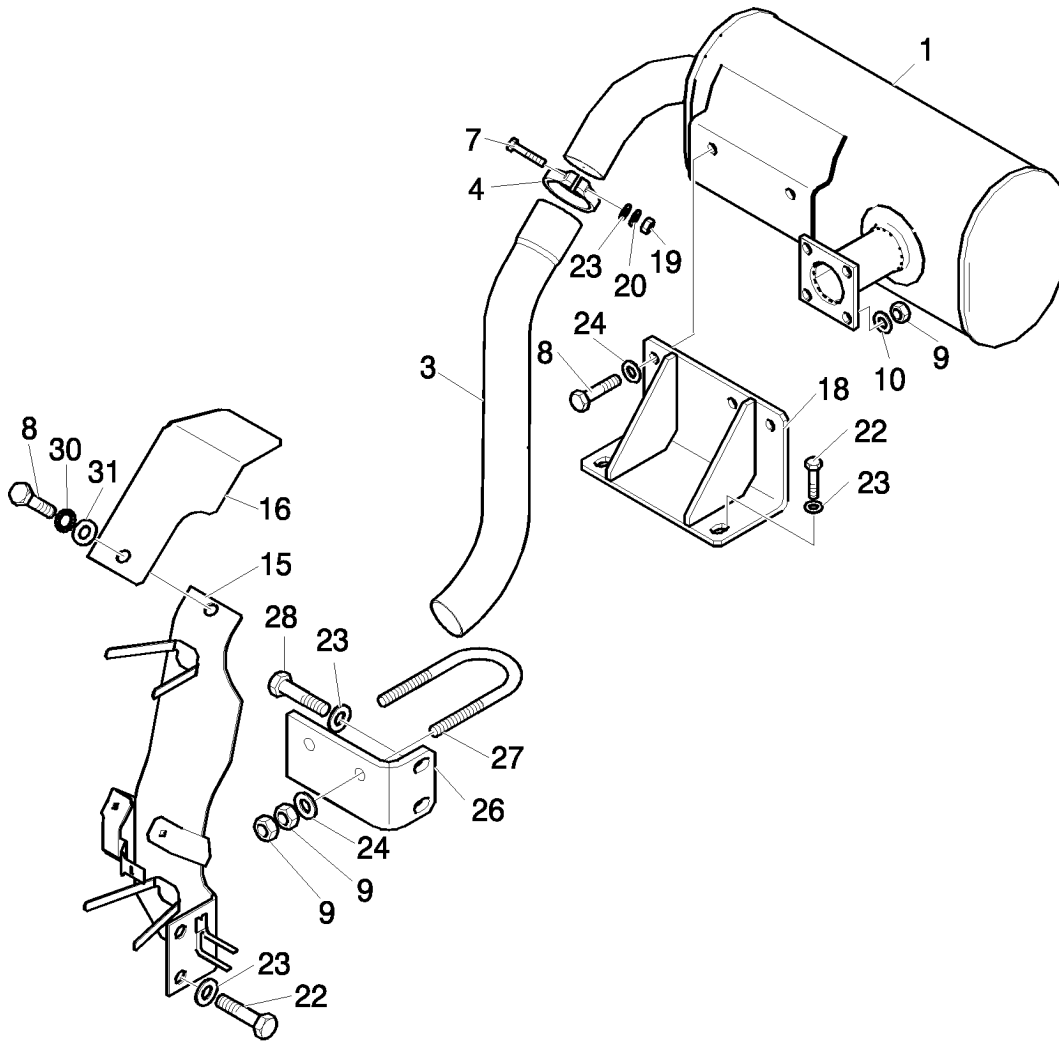
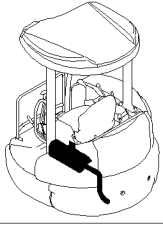
FILTRO DE AIRE
AIR CLEANER
AIR CLEANER
AIR CLEANER

R	N	P.N.	MOD	Q	Description Denominacion	Descrizione Beskrivelse	Bezeichnung Denominação	Description Beschrijving	L.C.
1		PW11P00014S001		1	BODY CUERPO	CORPO HUS	KOERPER CORPO	CORPS LICHAAM	300C
2		PW11P00009S002		1	COVER ASSY TABA (CONJUNTO)	COPERCHIO, COMPL COVER ASSY	DECKEL (KPLT.) TAMPA CONJUNTO	COUVERCLE (ASSEMBL) COVER ASSY	P426
3		72285861		1	AIR CLEANER DEPURADOR	DEPURATORE LUFTFILTER	LUFTFILTER DEPURADOR	FILTER A AIR LUCHTREINIGER	021D
5		PW11P00009S005		1	INDICATOR TESTIGO	SEGNALATORE INDIKATOR	ZEIGER INDICADOR	INDICATEUR AANWIJZER	087S
6		{87347628}		1					
7		72285862		1	ELEMENT ELEMENTO	ELEMENTO ELEMENT	FILTERELEMENT ELEMENTO	ELÉMENT ELEMENT	Z483

AIR CLEANER, ASSY P/N 72280589

E35.2SR

MUFFLER
SILENZIATORE
SCHALLDAEMPFER
SILENCIEUX



0.002

02

p1

08/07

SILENCIADOR
MUFFLER
MUFFLER
MUFFLER

R	N	P.N.	MOD	Q	Description Denominacion	Descrizione Beskrivelse	Bezeichnung Denominação	Description Beschrijving	L.C.
1		PW12P00014P1		1	MUFFLER SILENCIADOR	SILENZIATORE LYDDAEMPER	SCHALLDÄMPFER SILENCIADOR	SILENCIEUX KNALPOT	160S
3		PX12P01040P1		1	TUBE TUBO	TUBETTO RØR	ROHR TUBO	TUBE BUIJSJE	195T
4		{87540125}		1					
7		11107434		1	SCREW, TE M10x60 TORNILLO	VITE SKRUE	SCHRAUBE PARAFUSO	VIS SCHROEF	040V
8		16043434		7	BOLT, Hex, M8 x 20, 10.9, Full Thd	BULLONE	SCHRAUBE	BOULON	140B
9		16100824		8	TORNILLO NUT, M8, CI 10 TUERCA	SKRUE DADO MOETRIK	PARAFUSO MUTTER PORCA	BOULT ECROU MOER	010D
10		14496525		4	WASHER, Ø8 ARANDELA	ROSETTA PIANA FLADSKIVE	UNTERLEGSCHIEBE ANILHA	RONDELLE SLUITRING	131R
15		87568657		1	COVER TAPADERA	COPERCHIO DÆKSEL	ABDECKUNG COBERTA	COUVERCLE DEKSEL	265C
16		PW12P01065P1		1	COVER TAPADERA	COPERCHIO DÆKSEL	ABDECKUNG COBERTA	COUVERCLE DEKSEL	265C
18		{87540070}		1					
19		11701724		1	NUT, M10 TUERCA	DADO MOETRIK	MUTTER PORCA	ECROU MOER	010D
20		10571879		1	WASHER, LOCK, M10 ARANDELA DE FRENO	ROSETTA DI SICUREZZA LAASESKIVE	SICHERUNGSSCHIEBE ANILHA DE FIXACAO	RONDELLE FREIN VEERRING	132R
22		11106034		6	BOLT, Hex, M10 x 20, 10.9, Full Thd	BULLONE	SCHRAUBE	BOULON	140B
23		12626221		9	TORNILLO WASHER, Ø10 ARANDELA	SKRUE ROSETTA PIANA FLADSKIVE	PARAFUSO UNTERLEGSCHIEBE ANILHA	BOULT RONDELLE SLUITRING	131R
24		12654421		6	WASHER, Ø8 ARANDELA	ROSETTA PIANA FLADSKIVE	UNTERLEGSCHIEBE ANILHA	RONDELLE SLUITRING	131R
26		{87540072}		1					
27		2420T2948D10		1	U-BOLT HORQUILLA	CAVALLOTTO HAARNAAL	BÜGELSCHRAUBE MOLA DE ENGATE	CAVALIER VEERKLEM	100C
28		11106234		2	BOLT, Hex, M10 x 25, 10.9, Full Thd, TE M10x25	BULLONE	SCHRAUBE	BOULON	140B
30		10571779		3	TORNILLO WASHER, LOCK, M8 ARANDELA DE FRENO	SKRUE ROSETTA DI SICUREZZA LAASESKIVE	PARAFUSO SICHERUNGSSCHIEBE ANILHA DE FIXACAO	BOULT RONDELLE FREIN VEERRING	132R
31		12646721		3	WASHER, M8 x 20 x 2 ARANDELA	ROSETTA PIANA FLADSKIVE	UNTERLEGSCHIEBE ANILHA	RONDELLE SLUITRING	131R

E35.2SR

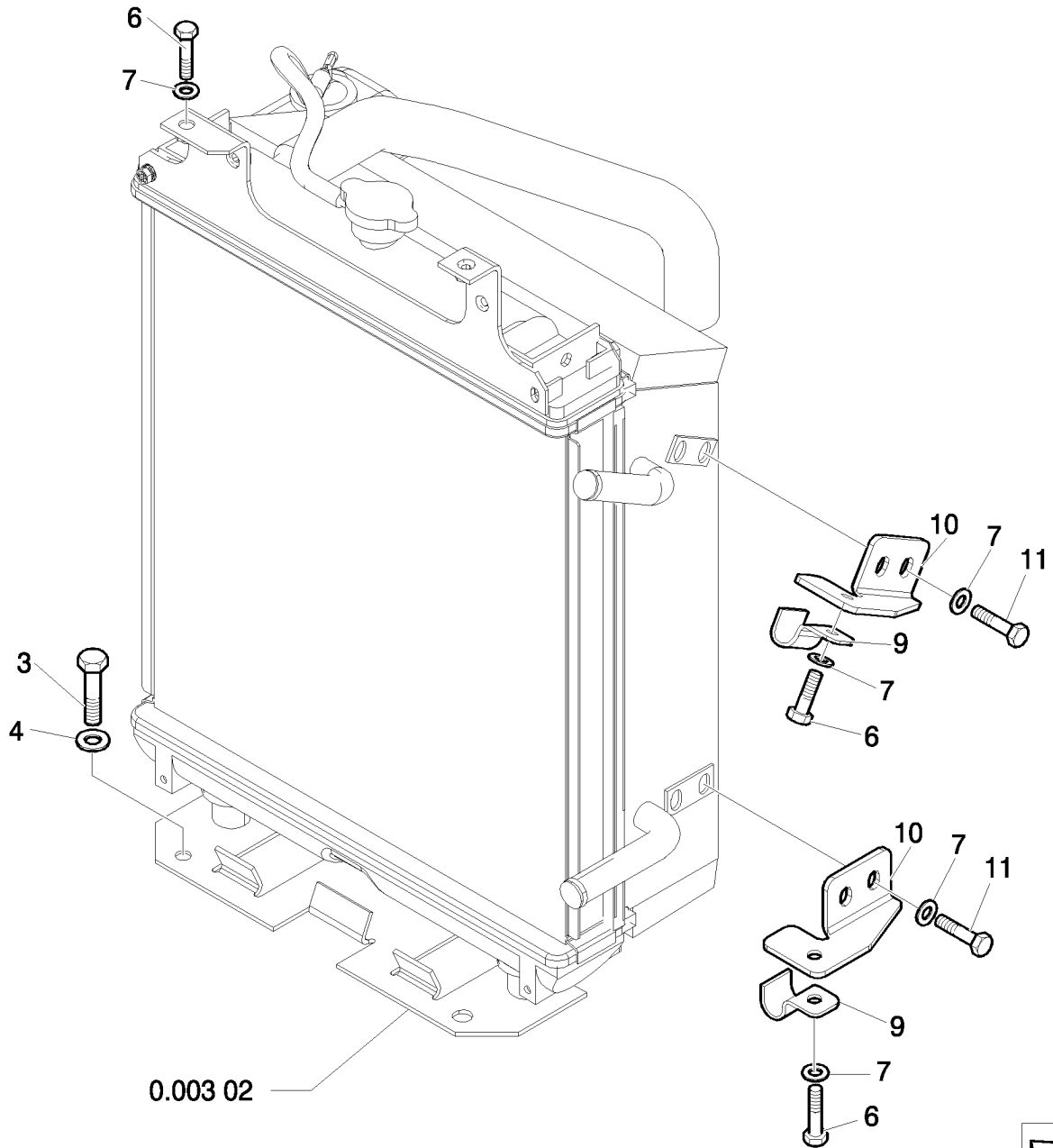
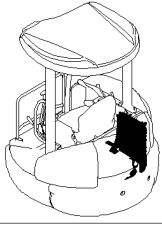
0.003

01

p1

11/07

RADIATOR - INSTAL
RADIATORE - INSTALLAZIONE
KÜHLER - ANLAGE
RADIATEUR - INSTALLATION



0.003

01

p1

11/07

RADIADOR - INSTALE
 RADIATOR - INSTAL
 RADIATOR - INSTAL
 RADIATOR - INSTAL

R	N	P.N.	MOD	Q	Description Denominacion	Descrizione Beskrivelse	Bezeichnung Denominação	Description Beschrijving	L.C.
3		11106234		2	BOLT, Hex, M10 x 25, 10.9, Full Thd, TE M10x25	BULLONE	SCHRAUBE	BOULON	140B
					TORNILLO	SKRUE	PARAFUSO	BOUT	
4		12626221		2	WASHER, Ø10	ROSETTA PIANA	UNTERLEGSCHIEBE	RONDELLE	131R
					ARANDELA	FLADSKIVE	ANILHA	SLUITRING	
6		16043434		4	BOLT, Hex, M8 x 20, 10.9, Full Thd	BULLONE	SCHRAUBE	BOULON	140B
					TORNILLO	SKRUE	PARAFUSO	BOUT	
7		12654421		8	WASHER, Ø8	ROSETTA PIANA	UNTERLEGSCHIEBE	RONDELLE	131R
					ARANDELA	FLADSKIVE	ANILHA	SLUITRING	
9		{87538383}		2					
10		{87538408}		2					
11		16043234		4	BOLT, Hex, M8 x 16, 10.9, Full Thd	BULLONE	SCHRAUBE	BOULON	140B
					TORNILLO	SKRUE	PARAFUSO	BOUT	

UP TO S/N N7GN05456

E35.2SR

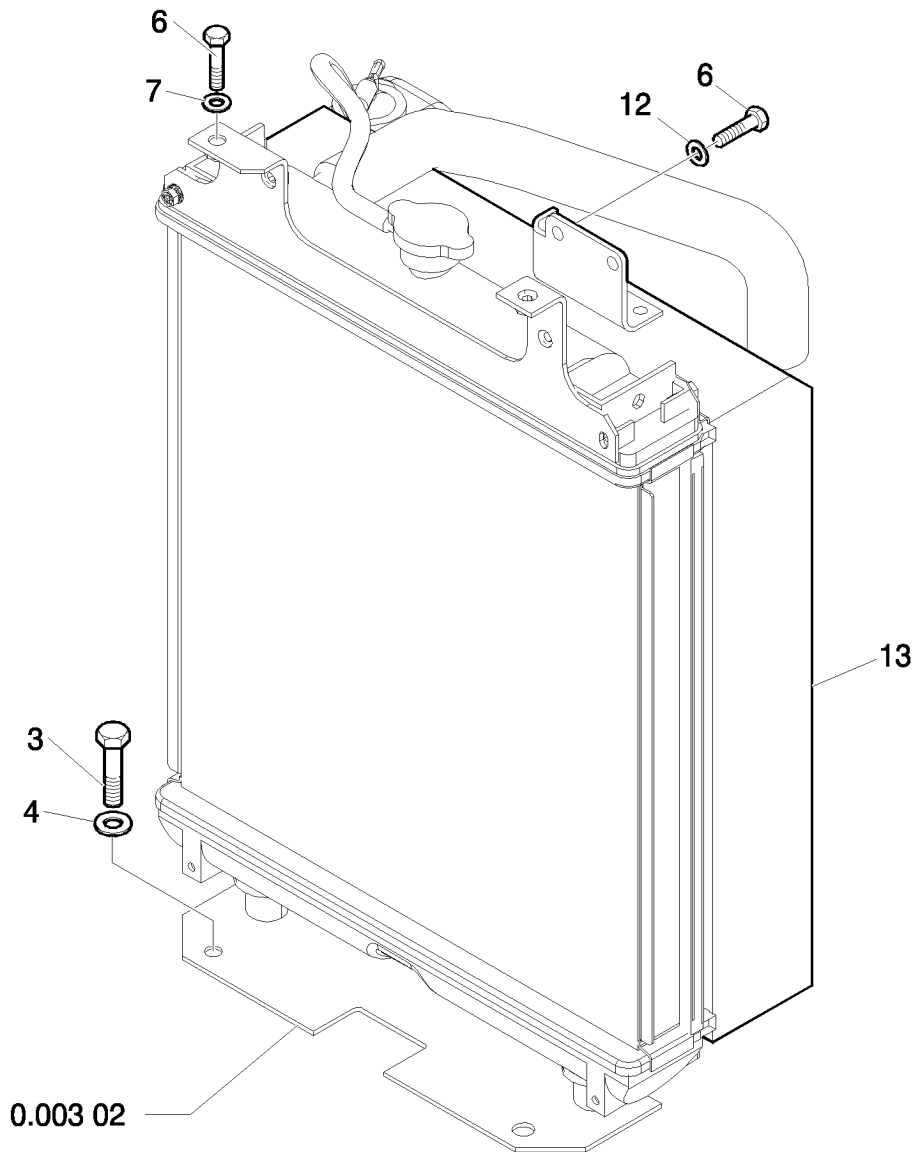
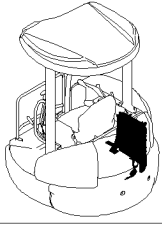
0.003

01A

p1

11/07

RADIATOR - INSTAL
RADIATORE - INSTALLAZIONE
KÜHLER - ANLAGE
RADIATEUR - INSTALLATION



0.003

01A

p1

11/07

RADIADOR - INSTALE
 RADIATOR - INSTAL
 RADIATOR - INSTAL
 RADIATOR - INSTAL

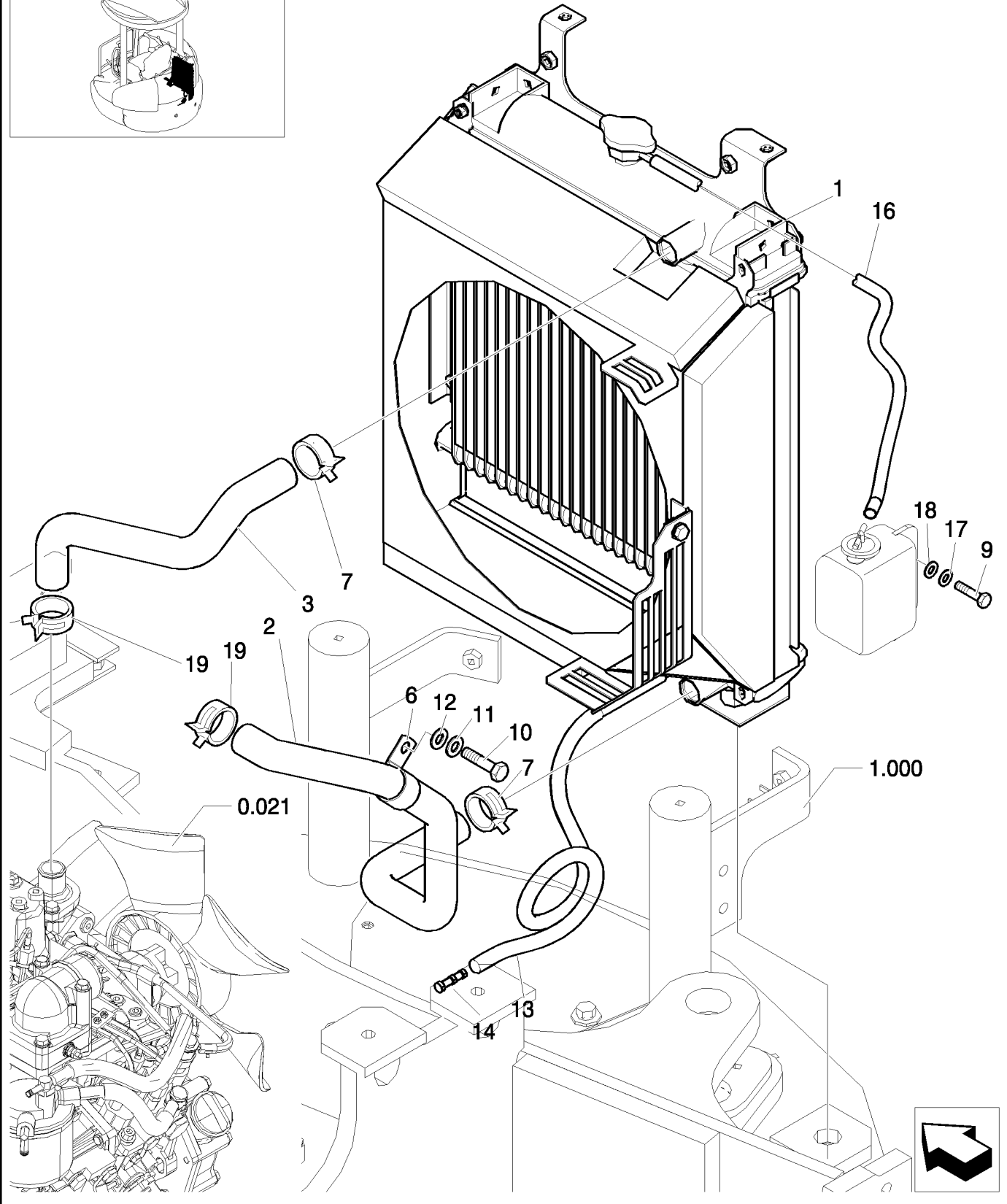
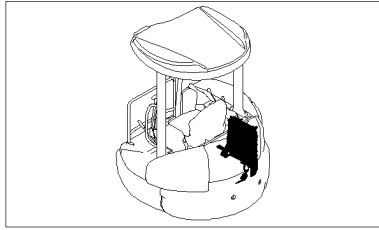
R	N	P.N.	MOD	Q	Description Denominacion	Descrizione Beskrivelse	Bezeichnung Denominação	Description Beschrijving	L.C.
3		11106234		2	BOLT, Hex, M10 x 25, 10.9, Full Thd, TE M10x25	BULLONE	SCHRAUBE	BOULON	140B
					TORNILLO	SKRUE	PARAFUSO	BOUT	
4		12626221		2	WASHER, Ø10	ROSETTA PIANA	UNTERLEGSCHIEBE	RONDELLE	131R
					ARANDELA	FLADSKIVE	ANILHA	SLUITRING	
6		16043434		4	BOLT, Hex, M8 x 20, 10.9, Full Thd	BULLONE	SCHRAUBE	BOULON	140B
					TORNILLO	SKRUE	PARAFUSO	BOUT	
7		12654421		8	WASHER, Ø8	ROSETTA PIANA	UNTERLEGSCHIEBE	RONDELLE	131R
					ARANDELA	FLADSKIVE	ANILHA	SLUITRING	
12		10519621		4	WASHER, M8 x 17 x 2	ROSETTA PIANA	UNTERLEGSCHIEBE	RONDELLE	131R
					ARANDELA	FLADSKIVE	ANILHA	SLUITRING	
13	1	{87568209}		1					

(1) - Assy see page 0.003.3A

FROM TO S/N N7GN05457

E35.2SR

RADIATOR
RADIATORE
KÜHLER
RADIATEUR



0.003

02

p1

11/07

RADIADOR
RADIATOR
RADIATOR
RADIATOR

R	N	P.N.	MOD	Q	Description Denominacion	Descrizione Beskrivelse	Bezeichnung Denominação	Description Beschrijving	L.C.
1		{72171326}		1					
2		PW05P01089P1		1	HOSE MANGA	MANICOTTO FLESSIBILE SLANGE	SCHLAUCH TUBO FLEXIVEL	FLEXIBLE FLEXIBELE BUIS	030M
3		PW05P01088P1		1	HOSE MANGA	MANICOTTO FLESSIBILE SLANGE	SCHLAUCH TUBO FLEXIVEL	FLEXIBLE FLEXIBELE BUIS	030M
6		71421085		1	CLIP SUJETADOR	FERMAGLIO KLIPS	KLEMME FIXADOR	CLIP KLEM	045F
7		13425577		2	CLIP, HOSE COLLAR	COLLARE KRAVE	SCHLAUCHKLEMME COLAR	COLLIER BUISKLEM	180C
9		10902434		2	BOLT, Hex, M6 x 20, 10.9, Full Thd TORNILLO	BULLONE SKRUE	SCHRAUBE PARAFUSO	BOULON BOUT	140B
10		16043234		1	BOLT, Hex, M8 x 16, 10.9, Full Thd TORNILLO	BULLONE SKRUE	SCHRAUBE PARAFUSO	BOULON BOUT	140B
11		10571779		1	WASHER, LOCK, M8 ARANDELA DE FRENO	ROSETTA DI SICUREZZA/ LAESKIVE	SICHERUNGSSCHEIBE ANILHA DE FIXACAO	RONDELLE FREIN VEERRING	132R
12		72209113		1	WASHER, Ø8 ARANDELA	ROSETTA PIANA FLADSKIVE	UNTERLEGSCHIEBE ANILHA	RONDELLE SLUITRING	131R
13		PU13E01002D1		1	TUBE TUBO	TUBETTO RØR	ROHR TUBO	TUBE BUISJE	195T
14		PW05P01117P1		1	PLUG TAPÓN	TAPPO PROP	STOPFEN BUJAO	BOUCHON PLUG	050T
16		PU13E01002D9		1	TUBE TUBO	TUBETTO RØR	ROHR TUBO	TUBE BUISJE	195T
17		12601279		2	WASHER, LOCK, Wave, M6.4 ARANDELA DE FRENO	ROSETTA DI SICUREZZA/ LAESKIVE	SICHERUNGSSCHEIBE ANILHA DE FIXACAO	RONDELLE FREIN VEERRING	132R
18		10519421		2	WASHER, M6 x 11.95 x 1.6 ARANDELA	ROSETTA PIANA FLADSKIVE	UNTERLEGSCHIEBE ANILHA	RONDELLE SLUITRING	131R
19		87526520		2	CLAMP COLLAR	MORSETTO CLAMP	SHELLE BRACADEIRA	COLLIER CLAMP	1640

UP TO S/N N7GN04557

E35.2SR

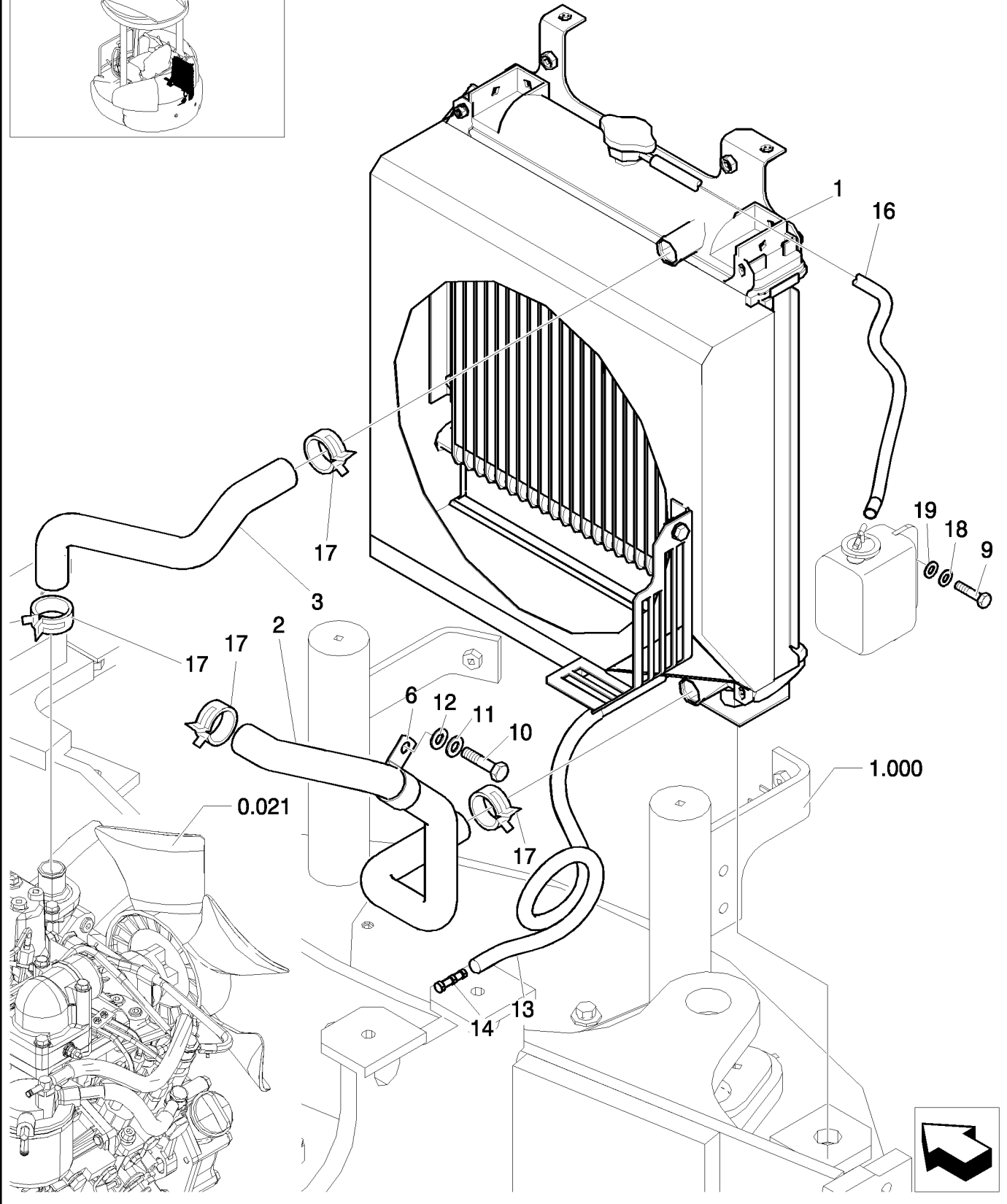
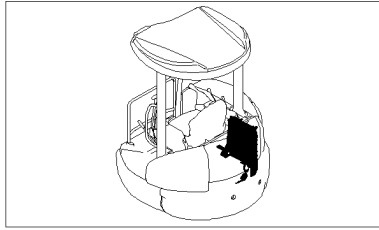
0.003

02A

p1

11/07

RADIATOR
RADIATORE
KÜHLER
RADIATEUR



0.003

02A

p1

11/07

RADIADOR
RADIATOR
RADIATOR
RADIATOR

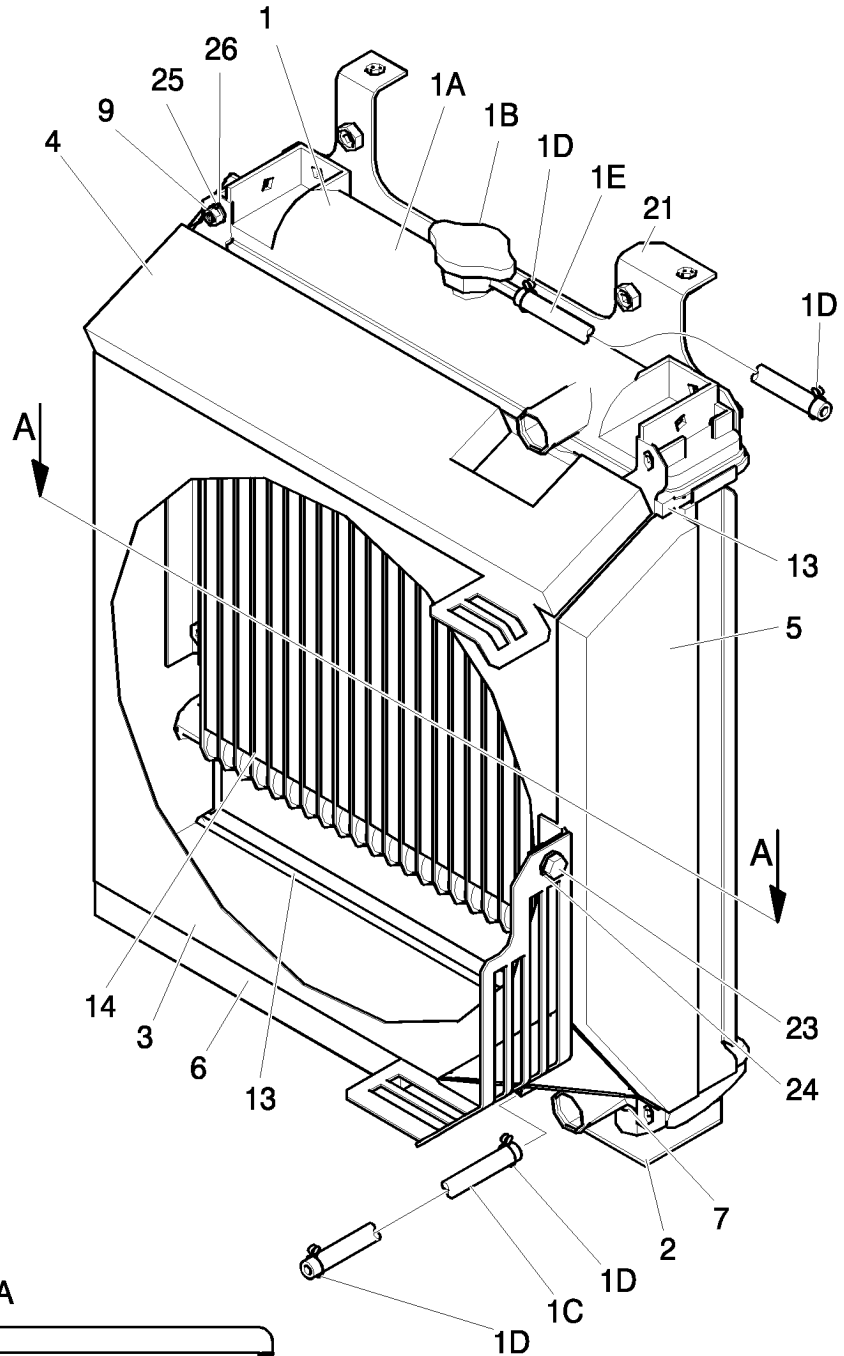
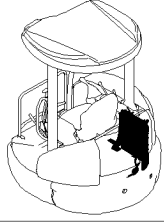
R	N	P.N.	MOD	Q	Description Denominacion	Descrizione Beskrivelse	Bezeichnung Denominação	Description Beschrijving	L.C.
1	1	87568234		1	RADIATOR RADIADOR	RADIATORE KØLER	KÜHLER ARREFECEDOR	RADIATEUR RADIATORKOELER	025R
2		72280533		1	HOSE, LARGE Manguito	TUBO FLESSIBILE,GRDE SLANGE, STOR	SCHLAUCH, GROSS MANGOTE	Durite SLANG, GROOT	Z336
3		72280534		1	HOSE, LARGE Manguito	TUBO FLESSIBILE,GRDE SLANGE, STOR	SCHLAUCH, GROSS MANGOTE	Durite SLANG, GROOT	Z336
6		71421085		1	CLIP SUJETADOR	FERMAGLIO KLIPS	KLEMME FIXADOR	CLIP KLEM	045F
9		10902434		2	BOLT, Hex, M6 x 20, 10.9, Full Thd TORNILLO	BULLONE SKRUE	SCHRAUBE PARAFUSO	BOULON BOUT	140B
10		16043234		1	BOLT, Hex, M8 x 16, 10.9, Full Thd TORNILLO	BULLONE SKRUE	SCHRAUBE PARAFUSO	BOULON BOUT	140B
11		10571779		1	WASHER, LOCK, M8 ARANDELA DE FRENO	ROSETTA DI SICUREZZA/ LAASESKIVE	SICHERUNGSSCHEIBE ANILHA DE FIXACAO	RONDELLE FREIN VEERRING	132R
12		72209113		1	WASHER, Ø8 ARANDELA	ROSETTA PIANA FLADSKIVE	UNTERLEGSCHIEBE ANILHA	RONDELLE SLUITRING	131R
13		{72290996}		1					
14		72280535		1	PLUG TAPÓN	TAPPO PROP	STOPFEN BUJAO	BOUCHON PLUG	050T
16		72952548		1	TUBE TUBO	TUBETTO RØR	ROHR TUBO	TUBE BUISJE	195T
18		12601279		2	WASHER, LOCK, Wave, M6.4 ARANDELA DE FRENO	ROSETTA DI SICUREZZA/ LAASESKIVE	SICHERUNGSSCHEIBE ANILHA DE FIXACAO	RONDELLE FREIN VEERRING	132R
17		87526520		2	CLAMP COLLAR	MORSETTO CLAMP	SHELLE BRACADEIRA	COLLIER CLAMP	1640
19		10519421		2	WASHER, M6 x 11.95 x 1.6 ARANDELA	ROSETTA PIANA FLADSKIVE	UNTERLEGSCHIEBE ANILHA	RONDELLE SLUITRING	131R

(1) - Assy see page 3A

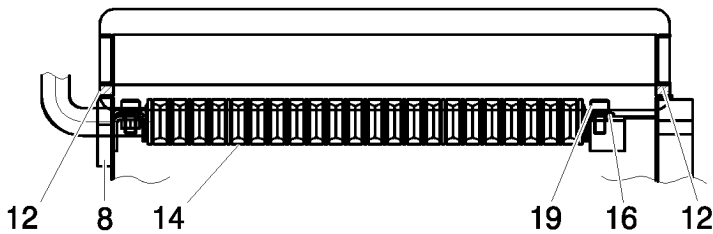
FROM TO S/N N7GN04558

E35.2SR

RADIATOR - COMPONENTS
RADIATORE - COMPONENTI
KÜHLER - BESTANDTEILE
RADIATEUR - COMPOSANTS



A - A



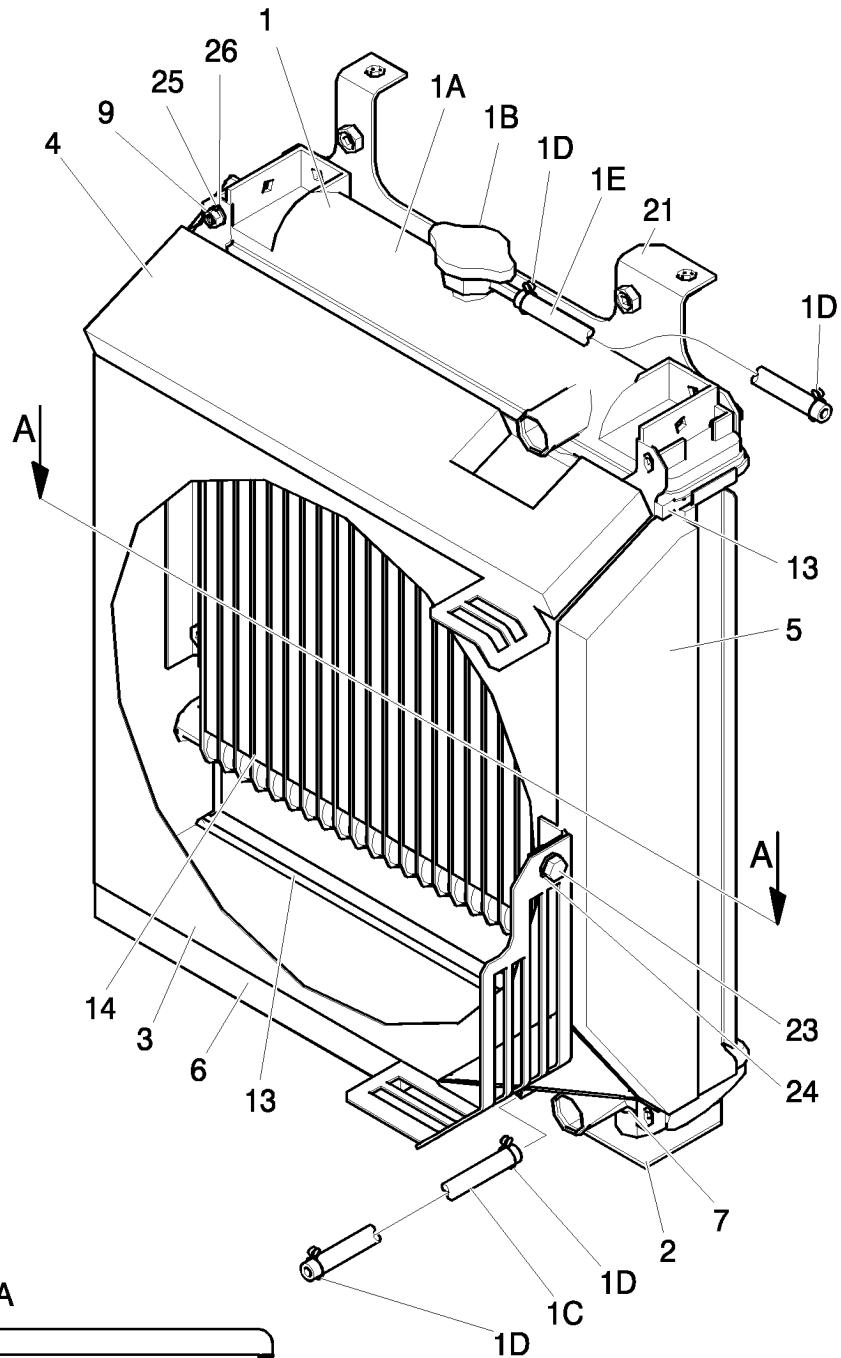
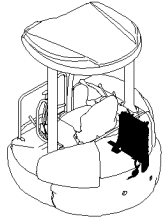
RADIADOR - COMPONENTES
 RADIATOR - COMPONENTS
 RADIATOR - COMPONENTS
 RADIATOR - COMPONENTS

R	N	P.N.	MOD	Q	Description Denominacion	Descrizione Beskrivelse	Bezeichnung Denominação	Description Beschrijving	L.C.
1		PW05P00027F1		1	RADIATOR RADIADOR	RADIATORE KØLER	KÜHLER ARREFECEDOR	RADIATEUR RADIATORKOELER	025R
1A		72280542		1	RADIATOR RADIADOR	RADIATORE KØLER	KÜHLER ARREFECEDOR	RADIATEUR RADIATORKOELER	025R
1B		PM05P00010S002		1	CAP TAPON DEL DEPOSITO	TAPPO SERBATOIO TANKDAEKSEL	ABDECKAPPE TAMPAO DE RESERVAT	CHAPEAU RESERVOIRDOP	052T
1C		PW05P00027S003		1	HOSE MANGA	MANICOTTO FLESSIBILE SLANGE	SCHLAUCH TUBO FLEXIVEL	FLEXIBLE FLEXIBELE BUIS	030M
1D		2452U267S8		4	CLIP SUJETADOR	FERMAGLIO KLIPS	KLEMME FIXADOR	CLIP KLEM	045F
1E		PH05P00012S005		1	HOSE MANGA	MANICOTTO FLESSIBILE SLANGE	SCHLAUCH TUBO FLEXIVEL	FLEXIBLE FLEXIBELE BUIS	030M
2		{87538466}		1					
3		PW05P01134P2		1	SHROUD BOQUILLA	RIPARO DÆKKE	ABDECKUNG COBERTURA	BUSE SHROUD	7830
4		PW05P01131P1		1	INSULATION, FOAM ESPUMA AISLANTE	SCHIUMA ISOLANTE SKUM ISOLERING	ISOLIERSCHAUM ESPUMA ISOLANTE	MOUSSE ISOLANTE ISOLATIESCHUIM	051S
5		PW05P01132P1		1	INSULATION, FOAM ESPUMA AISLANTE	SCHIUMA ISOLANTE SKUM ISOLERING	ISOLIERSCHAUM ESPUMA ISOLANTE	MOUSSE ISOLANTE ISOLATIESCHUIM	051S
6		PW05P01133P1		1	INSULATION, FOAM ESPUMA AISLANTE	SCHIUMA ISOLANTE SKUM ISOLERING	ISOLIERSCHAUM ESPUMA ISOLANTE	MOUSSE ISOLANTE ISOLATIESCHUIM	051S
7		PH05P01144P1		2	RUBBER CAUCHO	GOMMA RUBBER	GUMMI BORRACHA	CAOUTCHOUC RUBBER	P321
8		PW05P01128P1		2	RUBBER CAUCHO	GOMMA RUBBER	GUMMI BORRACHA	CAOUTCHOUC RUBBER	P321
9		10902234		6	BOLT, Hex, M6 x 16, 10.9, Full Thd TORNILLO	BULLONE SKRUE	SCHRAUBE PARAFUSO	BOULON BOUT	140B
10		{87538467}		1					
12		PW05P01098P1		2	RUBBER CAUCHO	GOMMA RUBBER	GUMMI BORRACHA	CAOUTCHOUC RUBBER	P321
13		PW05P01083P1		2	RUBBER CAUCHO	GOMMA RUBBER	GUMMI BORRACHA	CAOUTCHOUC RUBBER	P321
14		PW53V00009P1		1	COOLER, OIL RADIADOR ACEITE	RADIATORE OLIO OLIEKØLER	ÖLKÜHLER ARREFECEDOR	REFROIDISSEUR D'HUIL RADIATOR	026R
16		12638521		4	WASHER, M8 x 15 x 1.5 ARANDELA	ROSETTA PIANA FLADSKIVE	UNTERLEGSCHIEBE ANILHA	RONDELLE SLUITRING	131R
19		14306274		4	SCREW, TCE M8x16 TORNILLO	VITE SKRUE	SCHRAUBE PARAFUSO	VIS SCHROEF	040V
21		{87538472}		1					
23		16043234		2	BOLT, Hex, M8 x 16, 10.9, Full Thd TORNILLO	BULLONE SKRUE	SCHRAUBE PARAFUSO	BOULON BOUT	140B
24		14496521		2	WASHER, M8 x 17 x 1.6 ARANDELA	ROSETTA PIANA FLADSKIVE	UNTERLEGSCHIEBE ANILHA	RONDELLE SLUITRING	131R

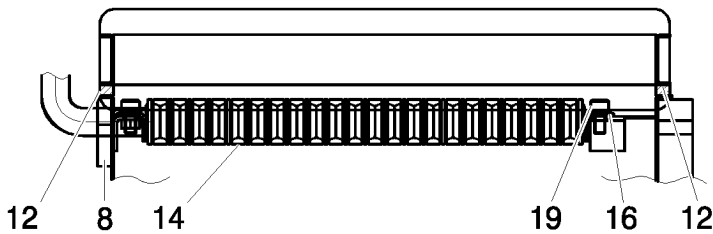
RADIATOR ASSY P/N 72171326 UP TO S/N N7GN04557

E35.2SR

RADIATOR - COMPONENTS
RADIATORE - COMPONENTI
KÜHLER - BESTANDTEILE
RADIATEUR - COMPOSANTS



A - A



0.003

03

p2

11/07

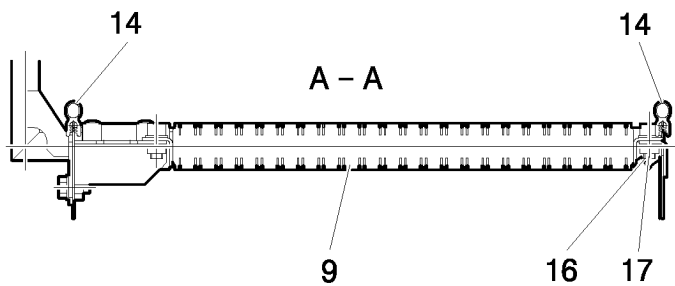
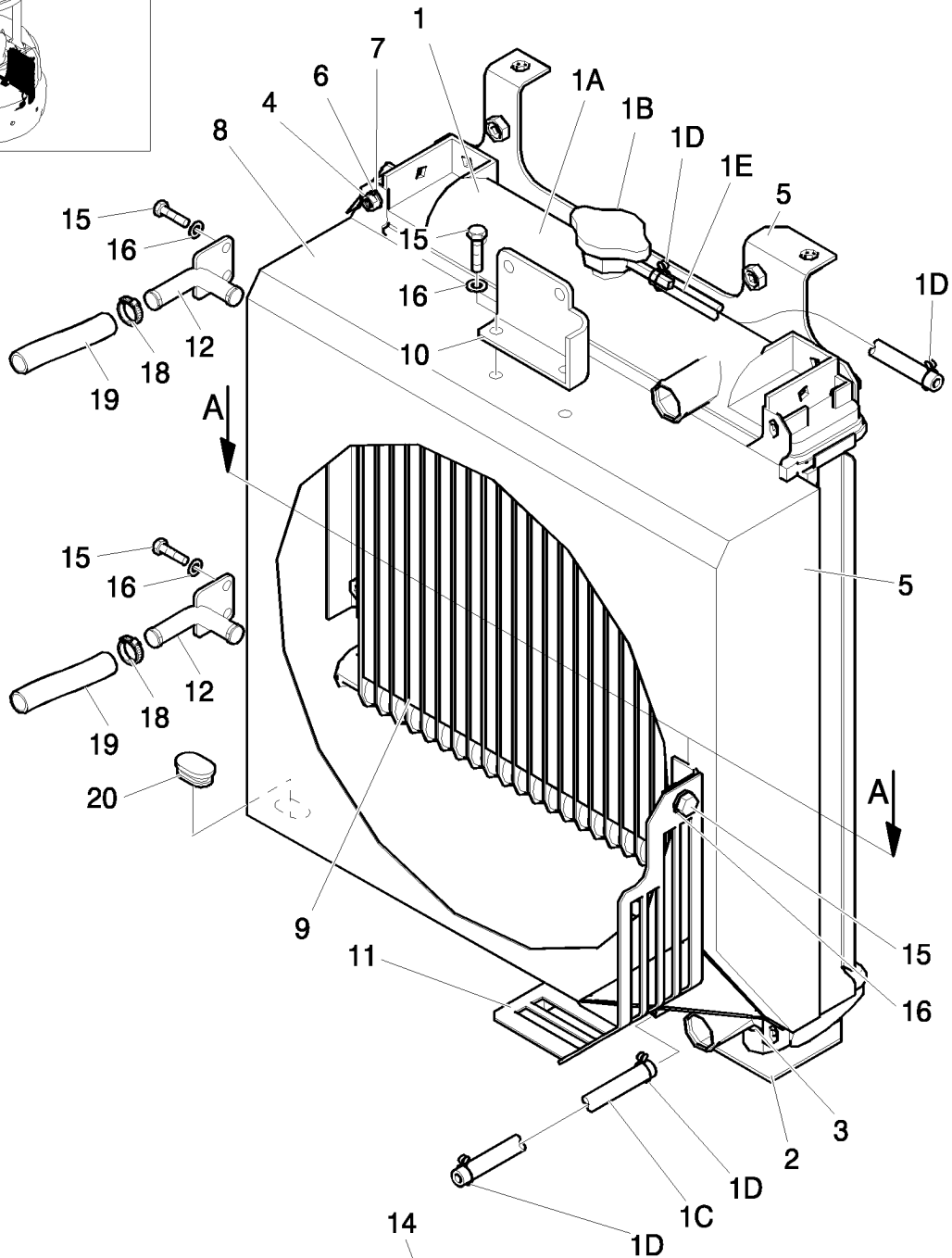
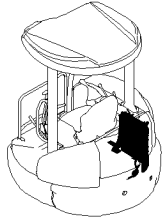
RADIADOR - COMPONENTES
 RADIATOR - COMPONENTS
 RADIATOR - COMPONENTS
 RADIATOR - COMPONENTS

R	N	P.N.	MOD	Q	Description Denominacion	Descrizione Beskrivelse	Bezeichnung Denominação	Description Beschrijving	L.C.
25		12601279		6	WASHER, LOCK, Wave, M6.4	ROSETTA DI SICUREZZA	SICHERUNGSSCHEIBE	RONDELLE FREIN	132R
					ARANDELA DE FRENO	LAASESKIVE	ANILHA DE FIXACAO	VEERRING	
26		10519421		6	WASHER, M6 x 11.95 x 1.6	ROSETTA PIANA	UNTERLEGSCHIEBE	RONDELLE	131R
					ARANDELA	FLADSKIVE	ANILHA	SLUITRING	

RADIATOR ASSY P/N 72171326 UP TO S/N N7GN04557

E35.2SR

RADIATOR - COMPONENTS
RADIATORE - COMPONENTI
KÜHLER - BESTANDTEILE
RADIATEUR - COMPOSANTS



0.003

03A

p1

11/07

RADIADOR - COMPONENTES
 RADIATOR - COMPONENTS
 RADIATOR - COMPONENTS
 RADIATOR - COMPONENTS

R	N	P.N.	MOD	Q	Description Denominacion	Descrizione Beskrivelse	Bezeichnung Denominação	Description Beschrijving	L.C.
-	1	{87568209}		1	- Assy				
-	2	87568234		1	RADIATOR, - Assy RADIADOR	RADIATORE KØLER	KÜHLER ARREFECEDOR	RADIATEUR RADIATORKOELER	025R
1		72280541		1	RADIATOR RADIADOR	RADIATORE KØLER	KÜHLER ARREFECEDOR	RADIATEUR RADIATORKOELER	025R
1A		72280542		1	RADIATOR RADIADOR	RADIATORE KØLER	KÜHLER ARREFECEDOR	RADIATEUR RADIATORKOELER	025R
1B		PM05P00010S002		1	CAP TAPON DEL DEPOSITO	TAPPO SERBATOIO TANKDAEKSEL	ABDECKAPPE TAMPAO DE RESERVAT	CHAPEAU RESERVOIRDOP	052T
1C		PW05P00027S003		1	HOSE MANGA	MANICOTTO FLESSIBILE SLANGE	SCHLAUCH TUBO FLEXIVEL	FLEXIBLE FLEXIBELE BUIS	030M
1D		2452U267S8		4	CLIP SUJETADOR	FERMAGLIO KLIPS	KLEMME FIXADOR	CLIP KLEM	045F
1E		PH05P00012S005		1	HOSE MANGA	MANICOTTO FLESSIBILE SLANGE	SCHLAUCH TUBO FLEXIVEL	FLEXIBLE FLEXIBELE BUIS	030M
2		{87538466}		1					
3		72953053		2	GASKET JUNTA HERMETICA	GUARNIZIONE PAKNING	DICHTUNG, FLACH JUNTA	JOINT DICHTINGSSTUK	123G
4		10902234		6	BOLT, Hex, M6 x 16, 10.9, Full Thd TORNILLO	BULLONE SKRUE	SCHRAUBE PARAFUSO	BOULON BOUT	140B
5		87568222		1	PLATE PLACA	PIASTRA PLADE	BLECH, PLATTE CHAPA	PLAQUE PLAAT	105P
6		10571579		2	WASHER, LOCK, M6 ARANDELA DE FRENO	ROSETTA DI SICUREZZA/ LAASESKIVE	SICHERUNGSSCHEIBE ANILHA DE FIXACAO	RONDELLE FREIN VEERRING	132R
7		10519421		2	WASHER, M6 x 11.95 x 1.6 ARANDELA	ROSETTA PIANA FLADSKIVE	UNTERLEGSCHIEBE ANILHA	RONDELLE SLUITRING	131R
8		87568194		1	SHROUD BOQUILLA	RIPARO DÆKKE	ABDECKUNG COBERTURA	BUSE SHROUD	7830
9		87568195		1	COOLER, OIL RADIADOR ACEITE	RADIATORE OLIO OLIEKØLER	ÖLKÜHLER ARREFECEDOR	REFROIDISSEUR D'HUILE RADIATOR	026R
10		87568197		1	PLATE PLACA	PIASTRA PLADE	BLECH, PLATTE CHAPA	PLAQUE PLAAT	105P
11		{87538467}		1					
12		87568199		2	TUBE TUBO	TUBETTO RØR	ROHR TUBO	TUBE BUISJE	195T
13		72280577		2	WEATHERSTRIP, RUBBERPROFILATO DI GOMMA PERFIL DE GOMA	GUMMIPROFIL GUMMIPROFIL	ABDICHTGUMMI PERFIL DE BORRACHA	PROFILE CAOUTCHOUC RUBBERENPROFIEL	216P
14		87568202		2	WEATHERSTRIP, RUBBERPROFILATO DI GOMMA PERFIL DE GOMA	GUMMIPROFIL GUMMIPROFIL	ABDICHTGUMMI PERFIL DE BORRACHA	PROFILE CAOUTCHOUC RUBBERENPROFIEL	216P
15		16043234		8	BOLT, Hex, M8 x 16, 10.9, Full Thd TORNILLO	BULLONE SKRUE	SCHRAUBE PARAFUSO	BOULON BOUT	140B

(1) - Assy item 1 - 7

(2) - Assy item 8 - 20

RADIATOR ASSY P/N 72171326 FROM TO S/N N7GN04558

E35.2SR

0.003

03A

p2

11/07

RADIADOR - COMPONENTES
 RADIATOR - COMPONENTS
 RADIATOR - COMPONENTS
 RADIATOR - COMPONENTS

R	N	P.N.	MOD	Q	Description Denominacion	Descrizione Beskrivelse	Bezeichnung Denominação	Description Beschrijving	L.C.
16		14496521		12	WASHER, M8 x 17 x 1.6 ARANDELA	ROSETTA PIANA FLADSKIVE	UNTERLEGSCHIEBE ANILHA	RONDELLE SLUITRING	131R
17		14306274		4	SCREW TORNILLO	VITE SKRUE	SCHRAUBE PARAFUSO	VIS SCHROEF	040V
18		87526520		4	CLAMP COLLAR	MORSETTO CLAMP	SHELLE BRACADEIRA	COLLIER CLAMP	1640
19		87568205		2	HOSE, FLEXIBLE MANGA FLEXIBLE	TUBO FLESSIBILE FLEKSIBEL SLANGE	BIEGSAMER SCHLAUCH TUBO FLEXIVEL	TUYAU FLEXIBLE FLEXIBELE SLANG	192T
20		87568208		2	GROMMET PASACABLES	ANELLO PASSACAVO RING	TÜLLE CASQUILHO ISOLADOR	PASSE-FIL KABELDOORGANG	131A

RADIATOR ASSY P/N 72171326 FROM TO S/N N7GN04558

E35.2SR

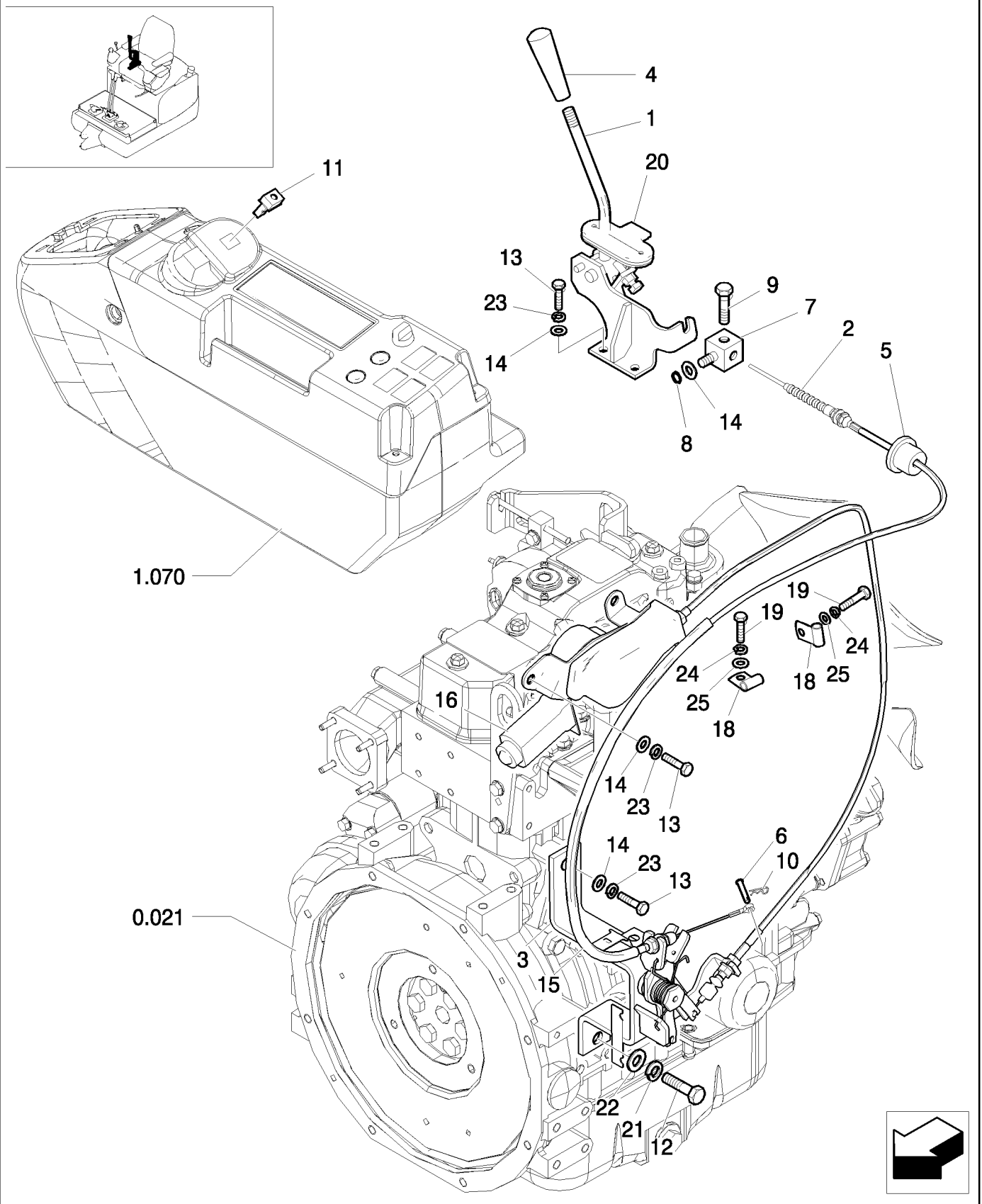
0.004

01

p1

08/07

CONTROL ASSY ENGINE (WITH DECEL)
COMANDI ACCELERATORE MOTORE (CON DECELERATORE)
GASREGULIERUNGSMOTOR (MIT GESWINDIGKEITSVERMINDERER)
COMMANDES D'ACCELERATEUR DU RÉACTEUR (AVEC DECELERATEUR)



Complete manual From
aservicemanualpdf.com

**Thank you very much
for your reading.**

Please Click Here

**Then Get More
Information.**