

# PARTS CATALOG

**Product Line**

**CATALOGO PARTI  
DI RICAMBIO**

**Model E20.2SR  
E22.2SR**

**CATALOGUE DES PIECES  
DETACHEES**

**ERSATZTEILKATALOG**

**CATÁLOGO DES PIEZAS  
DE REPUESTO**

**CATÁLOGO DE PEÇAS  
SOBRESSALENTES**

**ONDERDELENLIJST**

**RESERVEDELSKATALOG**

**CATALOGUE n. 604.04.263.01**  
6<sup>th</sup> Edition 10 - 2005

 **NEW HOLLAND**

---

## SECTION INDEX

---

010-18	1	UPPER FRAME
013-60	1	BRACKET ASSY, SWING (NIBBLER & BREAKER)
016-01	1	COUNTERWEIGHT INSTALLATIONS
016-18	1	COUNTERWEIGHT INSTALLATIONS
020-01	1	ENGINE ASSY
025-01	1	ENGINE INSTALLATIONS
030-01	1	RADIATOR
034-01	1	RADIATOR
043-01	1	AIR CLEANER (W ELEMENT)
046-01	1	MUFFLER
046-27	1	MUFFLER
052-01	1	FUEL LINES
059-01	1	FUEL TANK (CANOPY)
060-01	1	FUEL TANK (CAB)
062-60	1	OIL TANK (NIBBLER & BREAKER)
065-01	1	ENGINE ACCELERATOR CONTROLS (WITH DECEL)
065-01	2	ENGINE ACCELERATOR CONTROLS (WITH DECEL)
070-01	1	POWER TAKE OFF ASSY
074-01	1	SWING HYDRAULIC MOTOR
077-01	1	LUBRICATION LINES
080-01	1	CONTROL VALVE
092-01	1	PUMP/CONTROL VALVE PIPING
100-01	1	PUMP/CONTROL VALVE PIPING
100-01	2	PUMP/CONTROL VALVE PIPING
102-60	1	PUMP/CONTROL VALVE PIPING (NIBBLER & BREAKER)
110-01	1	PUMP/CONTROL VALVE PIPING
120-01	1	CONTROLS OPERATOR
122-27	1	CONTROLS
124-01	1	CONTROLS
128-01	1	CONTROLS (LEFT HAND)
135-01	1	CONTROLS (CANOPY)
137-01	1	CONTROLS (CAB)
138-18	1	CONTROLS
140-60	1	CONTROL LINES (NIBBLER & BREAKER)
140-60	2	CONTROL LINES (NIBBLER & BREAKER)
140-60	3	CONTROL LINES (NIBBLER & BREAKER)
150-72	1	CONTROL LINES (DOZER)
160-18	1	CONTROL LINES
160-18	2	CONTROL LINES
160-60	1	CONTROL LINES (NIBBLER & BREAKER)
170-60	1	FLOOR-CAB (CANOPY - NIBBLER & BREAKER)
172-60	1	FLOOR-CAB (CAB - NIBBLER & BREAKER)
176-18	1	CAB
177-26	1	CAB
180-01	1	CAB - COMPONENTS
180-01	2	CAB - COMPONENTS
180-01	3	CAB - COMPONENTS
180-01	4	CAB - COMPONENTS
180-01	5	CAB - COMPONENTS
190-01	1	CAB - COMPONENTS
194-01	1	CAB - COMPONENTS
200-18A	1	CANOPY
202-26	1	CANOPY
204-18	1	CANOPY (CANOPY)
214-01	1	ELECTRIC SYSTEM - LIGHT ASSY (CAB)

---

## SECTION INDEX

---

215-01	1	ELECTRIC SYSTEM - LIGHT ASSY
216-01	1	ELECTRIC SYSTEM - LIGHT ASSY
220-18	1	OPERATOR'S SEAT
222-18	1	OPERATOR'S SEAT (CAB)
223-18	1	OPERATOR'S SEAT (CANOPY)
224-18	1	OPERATOR'S SEAT (CAB)
225-18	1	OPERATOR'S SEAT - COMPONENTS (CANOPY)
240-01	1	HOODS (CANOPY)
240-01	2	HOODS (CANOPY)
240-01	3	HOODS (CANOPY)
240-01	4	HOODS (CANOPY)
242-01	1	HOODS (CAB)
242-01	2	HOODS (CAB)
242-01	3	HOODS (CAB)
242-01	4	HOODS (CAB)
263-18	1	CONTROLS
265-01	1	ELECTRIC SYSTEM - PANEL INSTRUMENTS
280-01	1	ELECTRIC SYSTEM - BATTERY
312-01	1	ELECTRIC SYSTEM - HARNESS UPPER FRAME
312-01A	1	ELECTRIC SYSTEM - HARNESS UPPER FRAME
314-01A	1	ELECTRIC SYSTEM - HARNESS CAB
325-01	1	ELECTRIC SYSTEM - ENGINE HARNESS
327-01A	1	RELAY ASSY
327-01B	1	RELAY ASSY
330-01	1	LOWER FRAME
340-01	1	LOWER FRAME
346-01	1	IDLER ADJUSTER
356-01	1	IDLER ADJUSTER
360-01	1	IDLER ADJUSTER - IDLER REGULATION
366-01	1	TRACK ROLLER
380-01	1	STEEL TRACK ROLLER ASSY
390-01	1	RUBBER SHOE ASSY
400-01	1	SWIVEL JOINT HYD.LINES
420-01	1	DOZER
450-01	1	MONOBLOC BOOM (1.88M)
500-01	1	BOOM PIPING (1.88M)
500-60	1	BOOM PIPING 1.88M (NIBBLER & BREAKER)
550-01	1	BOOM PIPING (CANOPY)
552-01	1	DIPPER STICK CYLINDER (CAB)
570-01	1	ELECTRIC SYSTEM - LIGHT ASSY (BOOM)
580-01	1	ARM ASSY STD (0.98M)
610-01	1	ARM HYD.LINES (1.33M)
670-01	1	BUCKET INSTALLATION
674-01	1-01	BUCKET
676-18	1	TOOLS KIT
703-19	1	COUNTERWEIGHT INSTALLATION
727-60	1	CONTROL LINES, PROPEL (NIBBLER & BREAKER + TRAVEL ALARM)
756-01	1	RADIO
784-18	1	CONDITIONING (WITH HEATER)
788-18	1	CONDITIONING (WITHOUT HEATER)
810-01	1	ALARM ASSY (TRAVEL ALARM)
830-01	1	DOZER
866-01-1	1	DIPPER STICK (1.33M)
876-01	1	ARM HYD.LINES (0.98M)
876-60	1	BOOM PIPING 1.88M (NIBBLER & BREAKER)

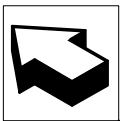
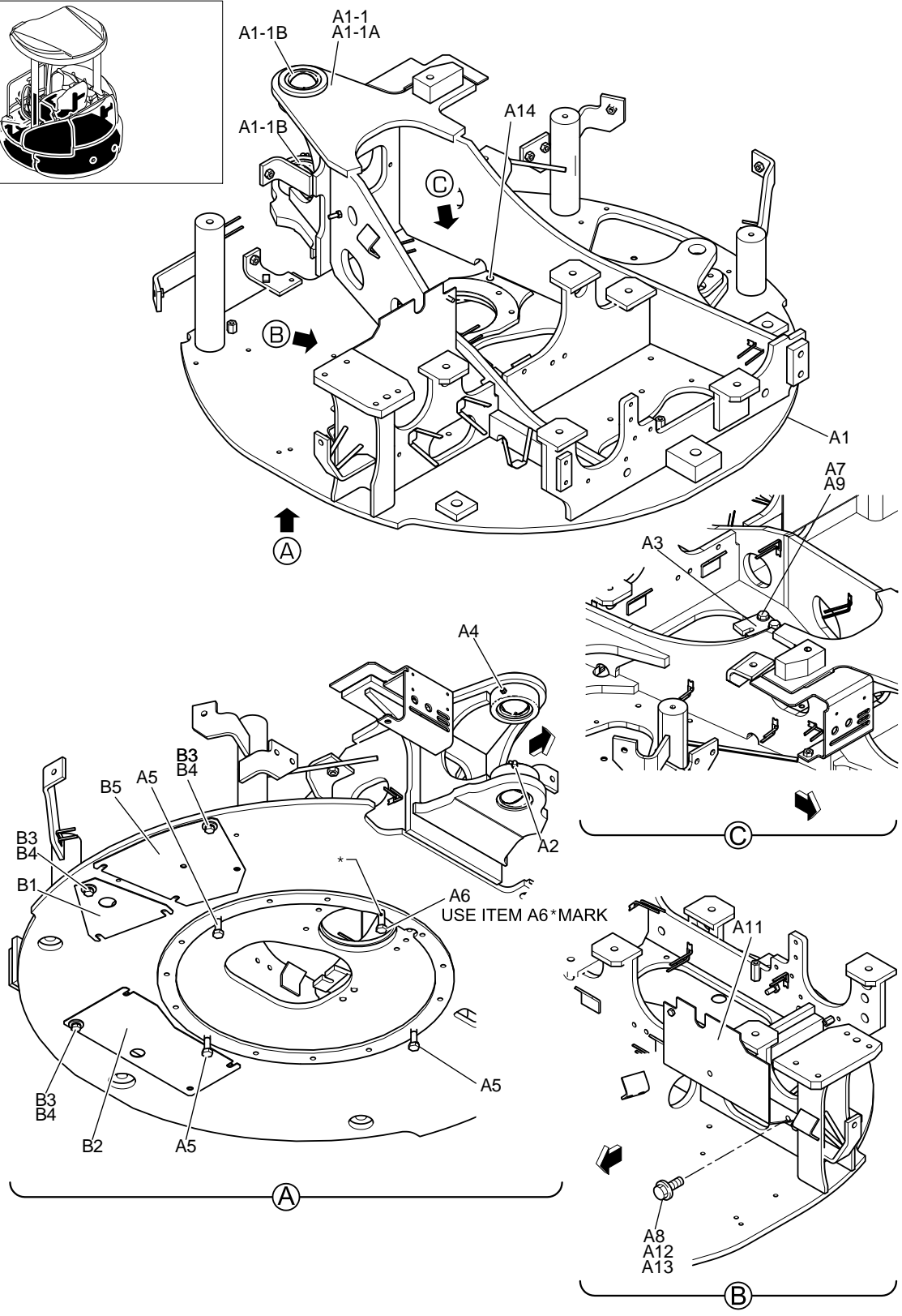
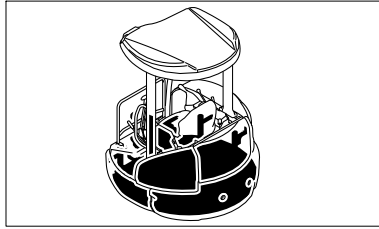
---

## SECTION INDEX

---

950-18	1	DECALS - CANOPY
950-18	2	DECALS - CANOPY
952-18	1	DECALS
955-18	1	DECALS
957-18	1	DECALS - CANOPY
960-19	1	DECALS - CANOPY
963-19	1	DECALS
965-18	1	DECALS - CANOPY (CAB)
967-27	1	DECAL (CAB)
968-27	1	DECAL
985-19	1	DECALS (ISO)
986-16	1	DECAL
986-18	1	DECALS
987-27	1	DECAL (ATTACHMENT)

UPPER FRAME  
TELAIO SUPERIORE  
CHASSIS SUPERIEUR  
RAHMENOBEN

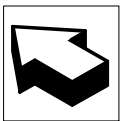
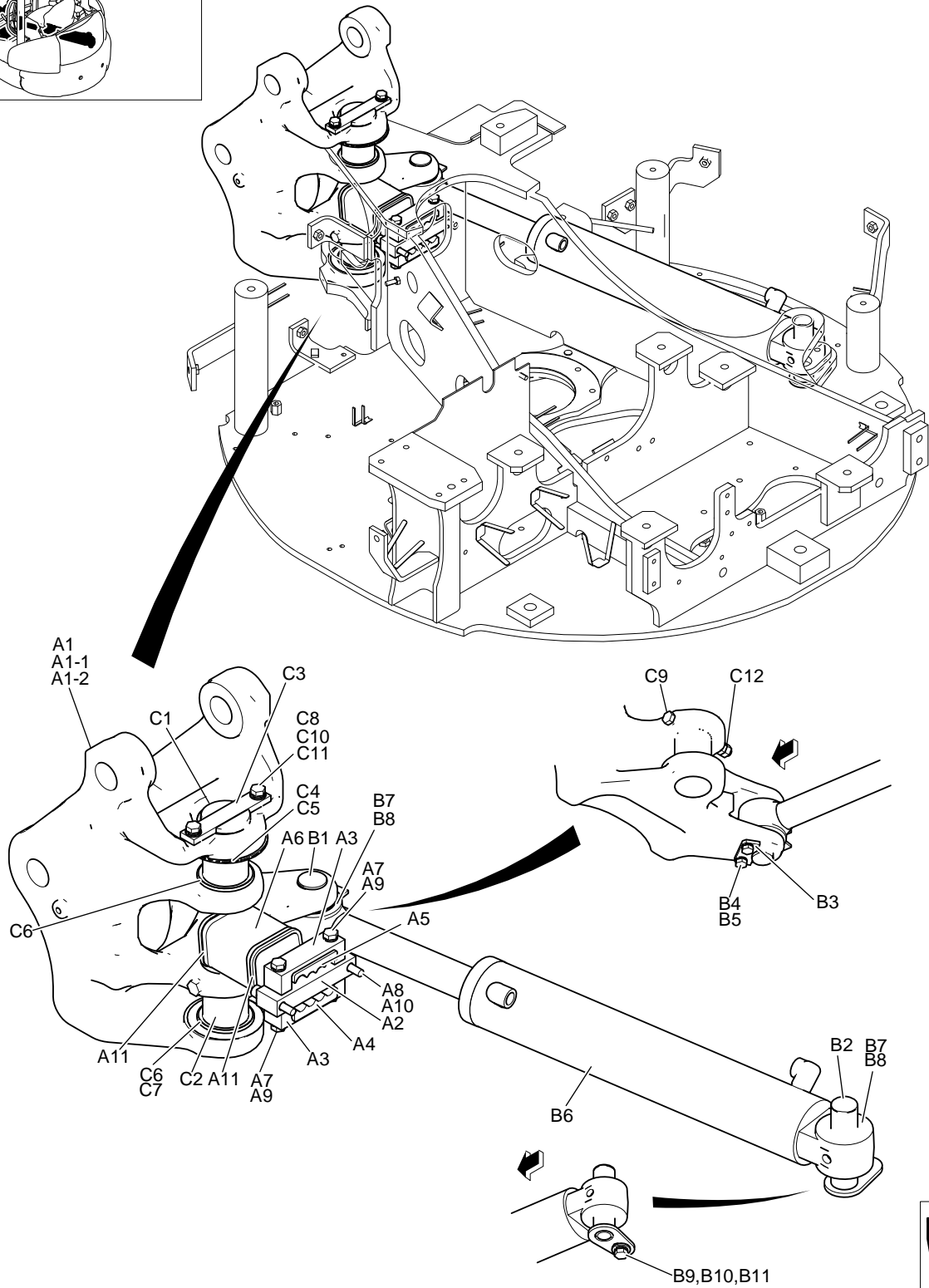
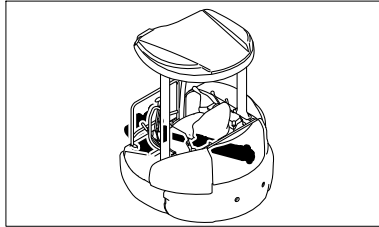


## CHASIS SUPERIOR

R	N	P.N.	MOD	Q	Description Denominacion	Descrizione Denominação	Description Beschrijving	Bezeichnung Beskrivelse	L.C.
-		{72285866}		1	- ASSY				
A1/A14		{72285867}		1					
A1		{72285868}		1					
A1-1		72281409		1	BRACKET PIEZA DE SOPORTE	STAFFA BRACADEIRA	PATTE FIXATION STEUNBEUGEL	HALTERUNG BESLAG	225S
A1-1A		72281410		1	BRACKET PIEZA DE SOPORTE	STAFFA BRACADEIRA	PATTE FIXATION STEUNBEUGEL	HALTERUNG BESLAG	225S
A1-1B		72281411		2	BUSHING CASQUILLO	BOCCOLA CASQUILHO	BAGUE LAGERBUS	BUECHSE BOESNING	095B
A2		72283072		1	NIPPLE, LUBE ENGRASADOR	INGRASSATORE LUBRIFICADOR	GRAISSEUR SMEERNIPPEL	SCHMIERNIPPEL SMOERENIPPEL	060I
A3		{72285869}		1					
A4		72283478		1	NIPPLE, LUBE ENGRASADOR	INGRASSATORE LUBRIFICADOR	GRAISSEUR SMEERNIPPEL	SCHMIERNIPPEL SMOERENIPPEL	060I
A5		72951707		14	SCREW TORNILLO	VITE PARAFUSO	VIS SCHROEF	SCHRAUBE SKRUE	040V
A6		72280483		1	SCREW TORNILLO	VITE PARAFUSO	VIS SCHROEF	SCHRAUBE SKRUE	040V
A7		72951702		2	SCREW TORNILLO	VITE PARAFUSO	VIS SCHROEF	SCHRAUBE SKRUE	040V
A8		47045383		2	SCREW TORNILLO	VITE PARAFUSO	VIS SCHROEF	SCHRAUBE SKRUE	040V
A9		72951754		2	WASHER ARANDELA	ROSETTA PIANA ANILHA	RONDELLE SLUITRING	BEILAGSCHEIBE FLADSKIVE	131R
A11		72281412		1	PLATE PLACA	PIASTRA CHAPA	PLAQUE PLAAT	PLATTE PLADE	105P
A12		72951762		2	WASHER, LOCK ARANDELA DE FRENO	ROSETTA DI SICUREZZA ANILHA DE FIXACAO	RONDELLE FREIN VEERRING	SPRENGRING LAASESKIVE	132R
A13		72951753		2	WASHER ARANDELA	ROSETTA PIANA ANILHA	RONDELLE SLUITRING	BEILAGSCHEIBE FLADSKIVE	131R
A14		72211268		2	CAP TAPON DEL DEPOSITO	TAPPO SERBATOIO TAMPAO DE RESERVAT	CHAPEAU RESERVOIRDOP	KAPPE TANKDAEKSEL	052T
B1/B5		{72285870}		1					
B1		72285871		1	COVER TAPADERA	COPERCHIO COBERTA	COUVERCLE DEKSEL	DECKEL DÆKSEL	265C
B2		72285872		1	COVER TAPADERA	COPERCHIO COBERTA	COUVERCLE DEKSEL	DECKEL DÆKSEL	265C
B3		72280489		11	SCREW TORNILLO	VITE PARAFUSO	VIS SCHROEF	SCHRAUBE SKRUE	040V
B4		72201224		11	WASHER ARANDELA	ROSETTA PIANA ANILHA	RONDELLE SLUITRING	BEILAGSCHEIBE FLADSKIVE	131R
B5		72285873		1	COVER TAPADERA	COPERCHIO COBERTA	COUVERCLE DEKSEL	DECKEL DÆKSEL	265C

**E20.2SR E22.2SR**

BRACKET ASSY, SWING (NIBBLER & BREAKER)  
BRACCIO ROTAZIONE COMPLETO (NIBBLER & BREAKER)  
BALANCIER COMPLET (NIBBLER & BREAKER)  
SCHWINGARM (NIBBLER & BREAKER)



## BRAZO ROTACION COMPLETO (NIBBLER &amp; BREAKER)

R	N	P.N.	MOD	Q	Description Denominacion	Descrizione Denominação	Description Beschrijving	Bezeichnung Beskrivelse	L.C.
-		{72285874}		1					
A1/A11		{72285875}		1					
A1		72285876		1	PIVOT PIVOTE	ARTICOLAZIONE PIVOTE	PIVOT DRAAIPUNT	WELLENZAPFEN TAP	093A
A1-1		72285877		1	BRACKET PIEZA DE SOPORTE	STAFFA BRACADEIRA	PATTE FIXATION STEUNBEUGEL	HALTERUNG BESLAG	225S
A1-2	1, 2	72281421		1	BUSHING CASQUILLO	BOCCOLA CASQUILHO	BAGUE LAGERBUS	BUECHSE BOESNING	095B
A1-2	3	{87361035}		1					
A2		72280496		1	BRACKET PIEZA DE SOPORTE	STAFFA BRACADEIRA	PATTE FIXATION STEUNBEUGEL	HALTERUNG BESLAG	225S
A3		72280497		2	CLAMP BORNE	MORSETTO BORNE	BRIDE KLEM	KLEMME SP/ENDEBÅND	120M
A4		72280498		1	RUBBER BAND CINTA DE CAUCHO	NASTRO DI GOMMA CINTA DE BORRACHA	RUBAN -BANDE CAOUTC RUBBEREN BAND	GUMMIBAND GUMMIBAAND	021N
A5		72280499		1	RUBBER BAND CINTA DE CAUCHO	NASTRO DI GOMMA CINTA DE BORRACHA	RUBAN -BANDE CAOUTC RUBBEREN BAND	GUMMIBAND GUMMIBAAND	021N
A6		72280509		1	GROMMET PASACABLES	ANELLO PASSACAVO CASQUILHO ISOLADOR	PASSE-FIL KABELDOORGANG	TÜLLE RING	131A
A7		72951695		4	SCREW TORNILLO	VITE PARAFUSO	VIS SCHROEF	SCHRAUBE SKRUE	040V
A8		72955464		2	SCREW TORNILLO	VITE PARAFUSO	VIS SCHROEF	SCHRAUBE SKRUE	040V
A9		72951762		4	WASHER, LOCK ARANDELA DE FRENO	ROSETTA DI SICUREZZA/ ANILHA DE FIXACAO	RONDELLE FREIN VEERRING	SPRENGRING LAASESKIVE	132R
A10		12581679		2	WASHER ARANDELA	ROSETTA PIANA ANILHA	RONDELLE SLUITRING	BEILAGSCHEIBE FLADSKIVE	131R
A11		72951499		2	CLIP SUJETADOR	FERMAGLIO FIXADOR	CLIP KLEM	KLAMMER KLIPS	045F
B1/B11		{72285878}		1					
B1	1, 2	{72285879}		1					
B1	3	{87361039}		1					
B2		{72285880}		1					
B3		{72285881}		1					
B4		47045383		2	SCREW TORNILLO	VITE PARAFUSO	VIS SCHROEF	SCHRAUBE SKRUE	040V
B5		72951762		2	WASHER, LOCK ARANDELA DE FRENO	ROSETTA DI SICUREZZA/ ANILHA DE FIXACAO	RONDELLE FREIN VEERRING	SPRENGRING LAASESKIVE	132R

(1) UP TO S/N PM07-07441

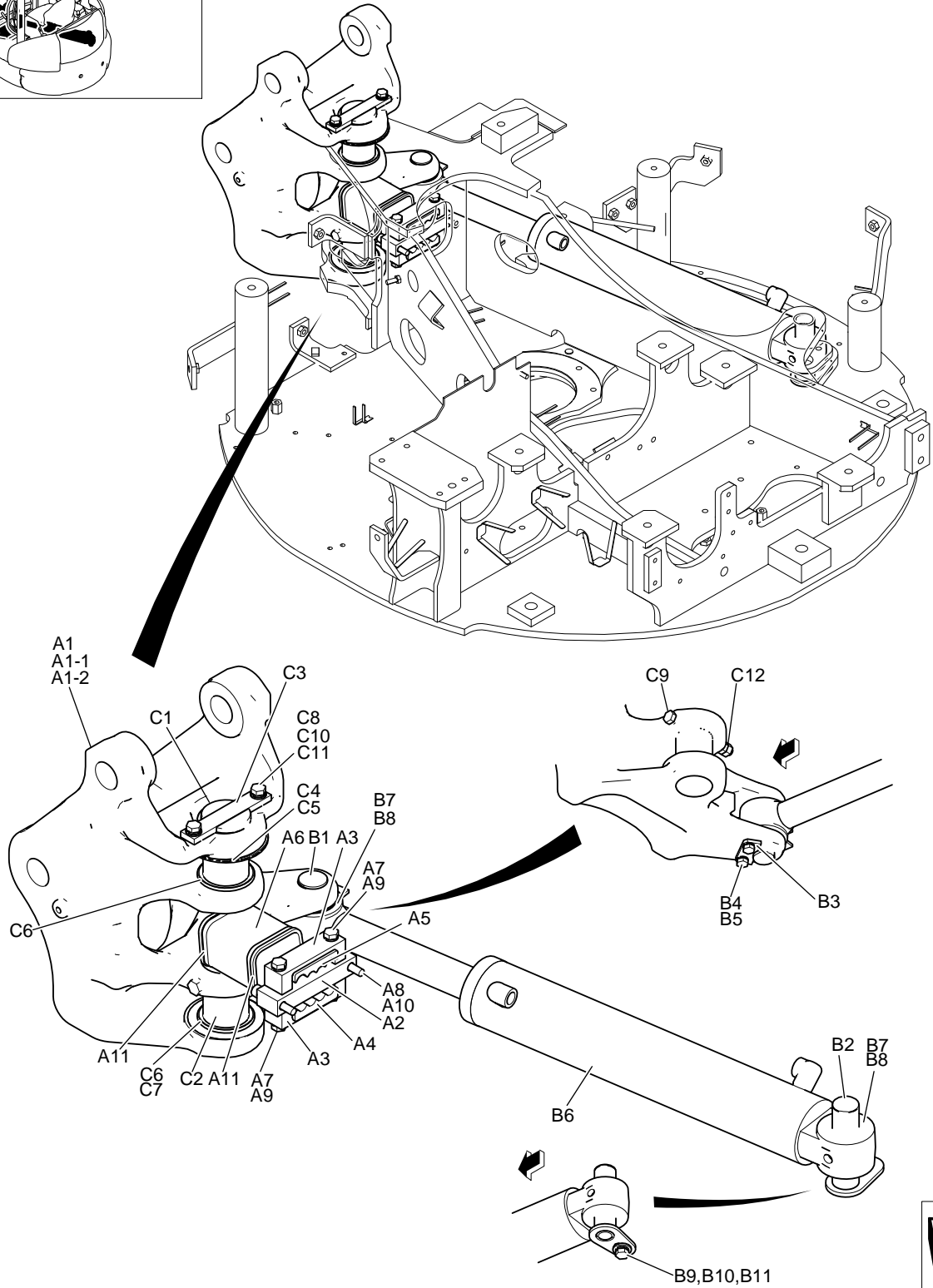
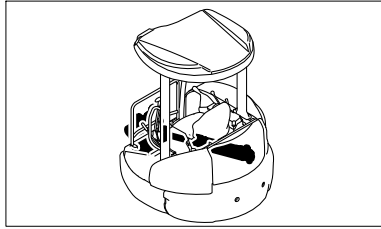
(2) FROM S/N PM07-07001

(3) FROM S/N PM07-07442

**E20.2SR E22.2SR**



BRACKET ASSY, SWING (NIBBLER & BREAKER)  
BRACCIO ROTAZIONE COMPLETO (NIBBLER & BREAKER)  
BALANCIER COMPLET (NIBBLER & BREAKER)  
SCHWINGARM (NIBBLER & BREAKER)



## BRAZO ROTACION COMPLETO (NIBBLER &amp; BREAKER)

R	N	P.N.	MOD	Q	Description Denominacion	Descrizione Denominação	Description Beschrijving	Bezeichnung Beskrivelse	L.C.
B6	1, 2	{72285882}		1	- ASSY SEE C.P.M.				
B6	3	{72285830}		1	- ASSY SEE C.P.M.				
B7		72952545		2	SHIM SUPLEMENTO	SPESSORE CALCO DE AFINACAO	CALE D'EPAISSEUR DIKTEPLAAT	EINSTELLSCHIEBCHEN MELLEMLÆG	198S
B8		72952546		4	SHIM SUPLEMENTO	SPESSORE CALCO DE AFINACAO	CALE D'EPAISSEUR DIKTEPLAAT	EINSTELLSCHIEBCHEN MELLEMLÆG	198S
B9		72950359		1	WASHER ARANDELA	ROSETTA PIANA ANILHA	RONDELLE SLUITRING	BEILAGSCHEIBE FLADSKIVE	131R
B10		72951702		1	SCREW TORNILLO	VITE PARAFUSO	VIS SCHROEF	SCHRAUBE SKRUE	040V
B11		72114686		1	WASHER ARANDELA	ROSETTA PIANA ANILHA	RONDELLE SLUITRING	BEILAGSCHEIBE FLADSKIVE	131R
C1/C12		{72285883}		1					
C1		{72285884}		1					
C2		{72285885}		1					
C3		72285886		1	PLATE PLACA	PIASTRA CHAPA	PLAQUE PLAAT	PLATTE PLADE	105P
C4		72952115		1	WASHER ARANDELA	ROSETTA PIANA ANILHA	RONDELLE SLUITRING	BEILAGSCHEIBE FLADSKIVE	131R
C5		72270181		1	SHIM SUPLEMENTO	SPESSORE CALCO DE AFINACAO	CALE D'EPAISSEUR DIKTEPLAAT	EINSTELLSCHIEBCHEN MELLEMLÆG	198S
C6		72205748		2	GASKET JUNTA HERMETICA	GUARNIZIONE JUNTA	JOINT DICHTINGSSTUK	DICHTUNG, FLACH PAKNING	123G
C7		72952111		1	SHIM SUPLEMENTO	SPESSORE CALCO DE AFINACAO	CALE D'EPAISSEUR DIKTEPLAAT	EINSTELLSCHIEBCHEN MELLEMLÆG	198S
C8		47045387		2	SCREW TORNILLO	VITE PARAFUSO	VIS SCHROEF	SCHRAUBE SKRUE	040V
C9		72950479		1	SCREW TORNILLO	VITE PARAFUSO	VIS SCHROEF	SCHRAUBE SKRUE	040V
C10		72951762		2	WASHER, LOCK ARANDELA DE FRENO	ROSETTA DI SICUREZZA ANILHA DE FIXACAO	RONDELLE FREIN VEERRING	SPRENGRING LAASESKIVE	132R
C11		72951753		2	WASHER ARANDELA	ROSETTA PIANA ANILHA	RONDELLE SLUITRING	BEILAGSCHEIBE FLADSKIVE	131R
C12		72280507		2	NUT TUERCA	DADO PORCA	ECROU MOER	MUTTER MOETRIK	010D

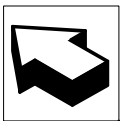
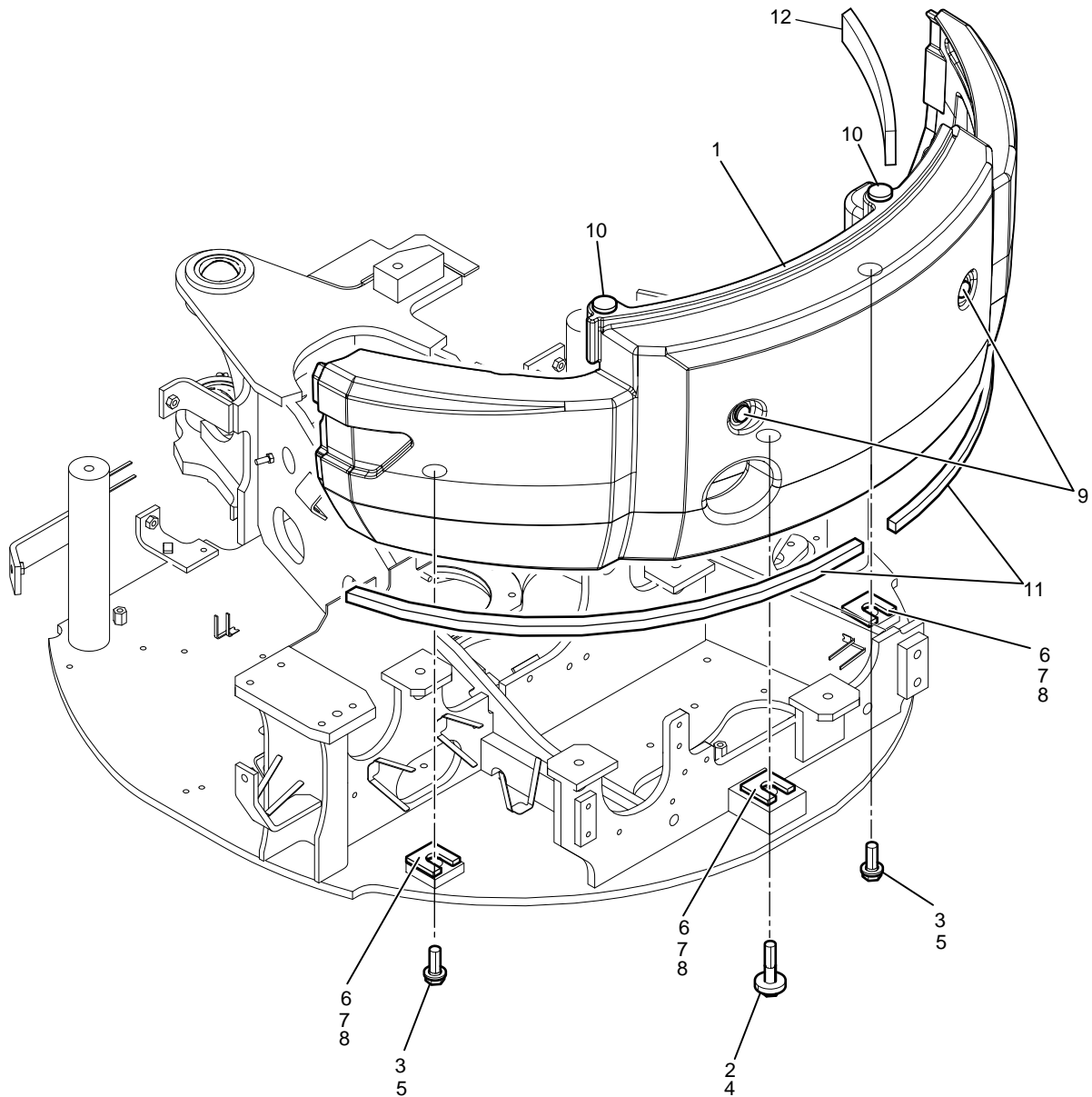
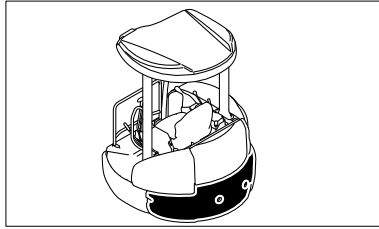
(1) UP TO S/N PM07-07309

(2) FROM S/N PM07-07001

(3) FROM S/N PM07-07310

**E20.2SR E22.2SR**

COUNTERWEIGHT INSTALLATIONS  
INSTALLAZIONE ZAVORRA  
LEST INSTALLATIONS  
BALLASTANLAGE

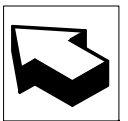
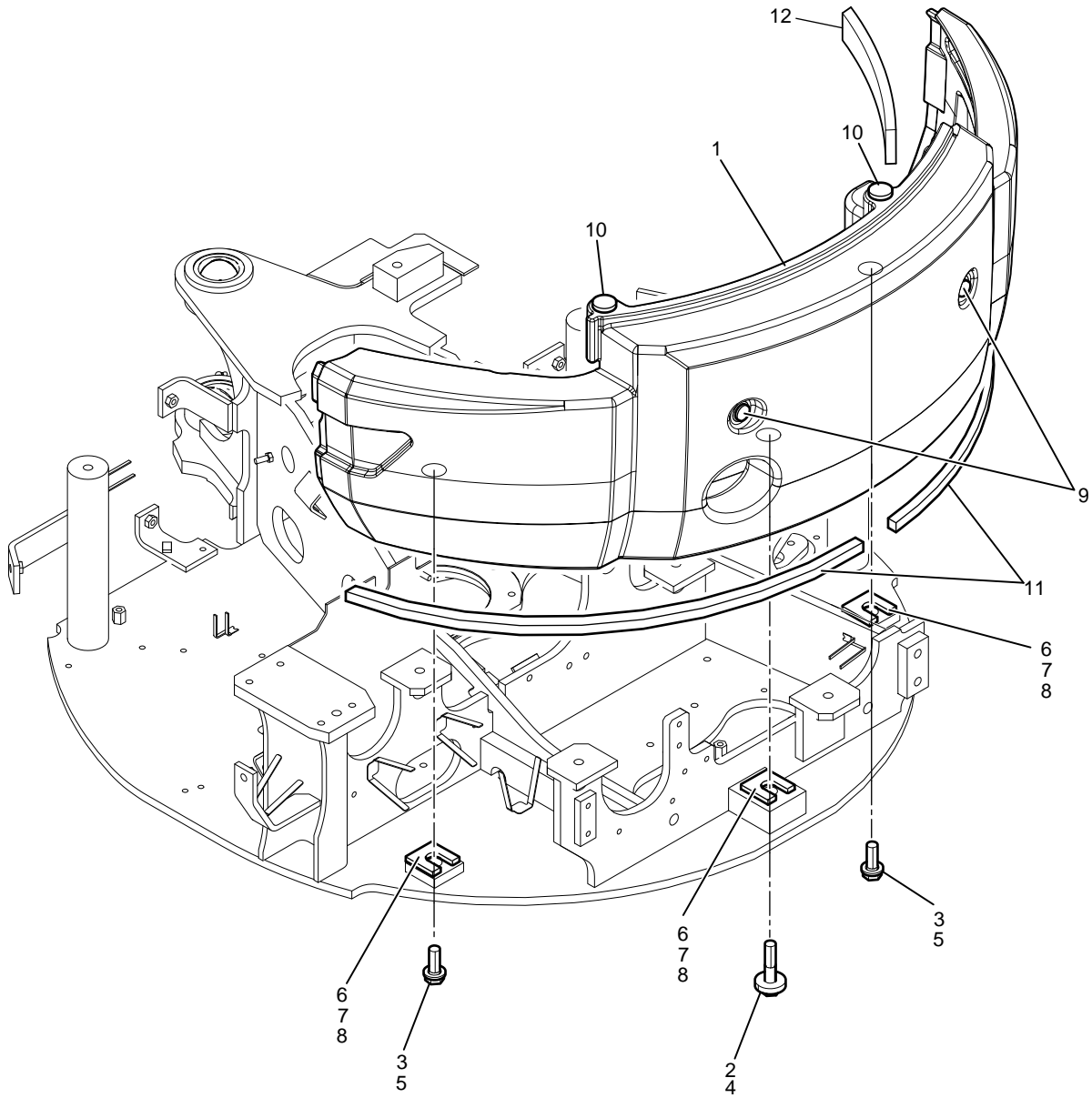
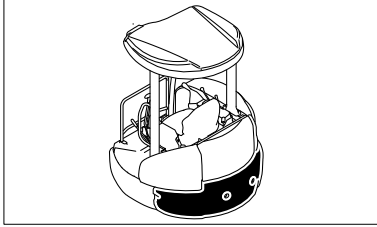


## LASTRE INSTALACION

R	N	P.N.	MOD	Q	Description Denominacion	Descrizione Denominação	Description Beschrijving	Bezeichnung Beskrivelse	L.C.
1/12		{72285887}		1					
1		72285888		1	WEIGHT LASTRE	ZAVORRA BALASTRO	POIDS BALLAST	GEWICHT FRONTVAEGT	010Z
2		72952634		1	SCREW TORNILLO	VITE PARAFUSO	VIS SCHROEF	SCHRAUBE SKRUE	040V
3		72951714		2	SCREW TORNILLO	VITE PARAFUSO	VIS SCHROEF	SCHRAUBE SKRUE	040V
4		72270469		1	WASHER ARANDELA	ROSETTA PIANA ANILHA	RONDELLE SLUITRING	BEILAGSCHEIBE FLADSKIVE	131R
5		72951744		2	WASHER ARANDELA	ROSETTA PIANA ANILHA	RONDELLE SLUITRING	BEILAGSCHEIBE FLADSKIVE	131R
6		72950964		3	SHIM SUPLEMENTO	SPESSORE CALCO DE AFINACAO	CALE D'EPaisseur DIKTEPLAAT	EINSTELLSCHEIBCHEN MELLEMLÆG	198S
7		72950965		3	SHIM SUPLEMENTO	SPESSORE CALCO DE AFINACAO	CALE D'EPaisseur DIKTEPLAAT	EINSTELLSCHEIBCHEN MELLEMLÆG	198S
8		72950966		3	SHIM SUPLEMENTO	SPESSORE CALCO DE AFINACAO	CALE D'EPaisseur DIKTEPLAAT	EINSTELLSCHEIBCHEN MELLEMLÆG	198S
9		72283641		2	PLUG TAPÓN	TAPPO BUJAO	BOUCHON PLUG	STOPFEN PROP	050T
10		72283642		2	SPACER SEPARADOR	DISTANZIALE ESPACADOR	ENTRETOISE AFSTANDSRING	DISTANZSTÜCK AFSTANDSSTYKKE	075D
11		72281431		2	GASKET JUNTA HERMETICA	GUARNIZIONE JUNTA	JOINT DICHTINGSSTUK	DICHTUNG, FLACH PAKNING	123G
12		72281432		1	INSULATION, FOAM ESPUMA AISLANTE	SCHIUMA ISOLANTE ESPUMA ISOLANTE	MOUSSE ISOLANTE ISOLATIESCHUIM	ISOLIERUNG SKUM ISOLERING	051S

E20.2SR

COUNTERWEIGHT INSTALLATIONS  
INSTALLAZIONE ZAVORRA  
LEST INSTALLATIONS  
BALLASTANLAGE



## LASTRE INSTALACION

R	N	P.N.	MOD	Q	Description Denominacion	Descrizione Denominação	Description Beschrijving	Bezeichnung Beskrivelse	L.C.
1/12		{72285889}		1					
1		72285890		1	WEIGHT LASTRE	ZAVORRA BALASTRO	POIDS BALLAST	GEWICHT FRONTVAEGT	010Z
2		72952634		1	SCREW TORNILLO	VITE PARAFUSO	VIS SCHROEF	SCHRAUBE SKRUE	040V
3		72951714		2	SCREW TORNILLO	VITE PARAFUSO	VIS SCHROEF	SCHRAUBE SKRUE	040V
4		72270469		1	WASHER ARANDELA	ROSETTA PIANA ANILHA	RONDELLE SLUITRING	BEILAGSCHEIBE FLADSKIVE	131R
5		72951744		2	WASHER ARANDELA	ROSETTA PIANA ANILHA	RONDELLE SLUITRING	BEILAGSCHEIBE FLADSKIVE	131R
6		72950964		3	SHIM SUPLEMENTO	SPESSORE CALCO DE AFINACAO	CALE D'EPASSEUR DIKTEPLAAT	EINSTELLSCHEIBCHEN MELLEMLÆG	198S
7		72950965		3	SHIM SUPLEMENTO	SPESSORE CALCO DE AFINACAO	CALE D'EPASSEUR DIKTEPLAAT	EINSTELLSCHEIBCHEN MELLEMLÆG	198S
8		72950966		3	SHIM SUPLEMENTO	SPESSORE CALCO DE AFINACAO	CALE D'EPASSEUR DIKTEPLAAT	EINSTELLSCHEIBCHEN MELLEMLÆG	198S
9		72283641		2	PLUG TAPÓN	TAPPO BUJAO	BOUCHON PLUG	STOPFEN PROP	050T
10		72283642		2	SPACER SEPARADOR	DISTANZIALE ESPACADOR	ENTRETOISE AFSTANDSRING	DISTANZSTÜCK AFSTANDSSTYKKE	075D
11		72281431		2	GASKET JUNTA HERMETICA	GUARNIZIONE JUNTA	JOINT DICHTINGSSTUK	DICHTUNG, FLACH PAKNING	123G
12		72281432		1	INSULATION, FOAM ESPUMA AISLANTE	SCHIUMA ISOLANTE ESPUMA ISOLANTE	MOUSSE ISOLANTE ISOLATIESCHUIM	ISOLIERUNG SKUM ISOLERING	051S

E22.2SR

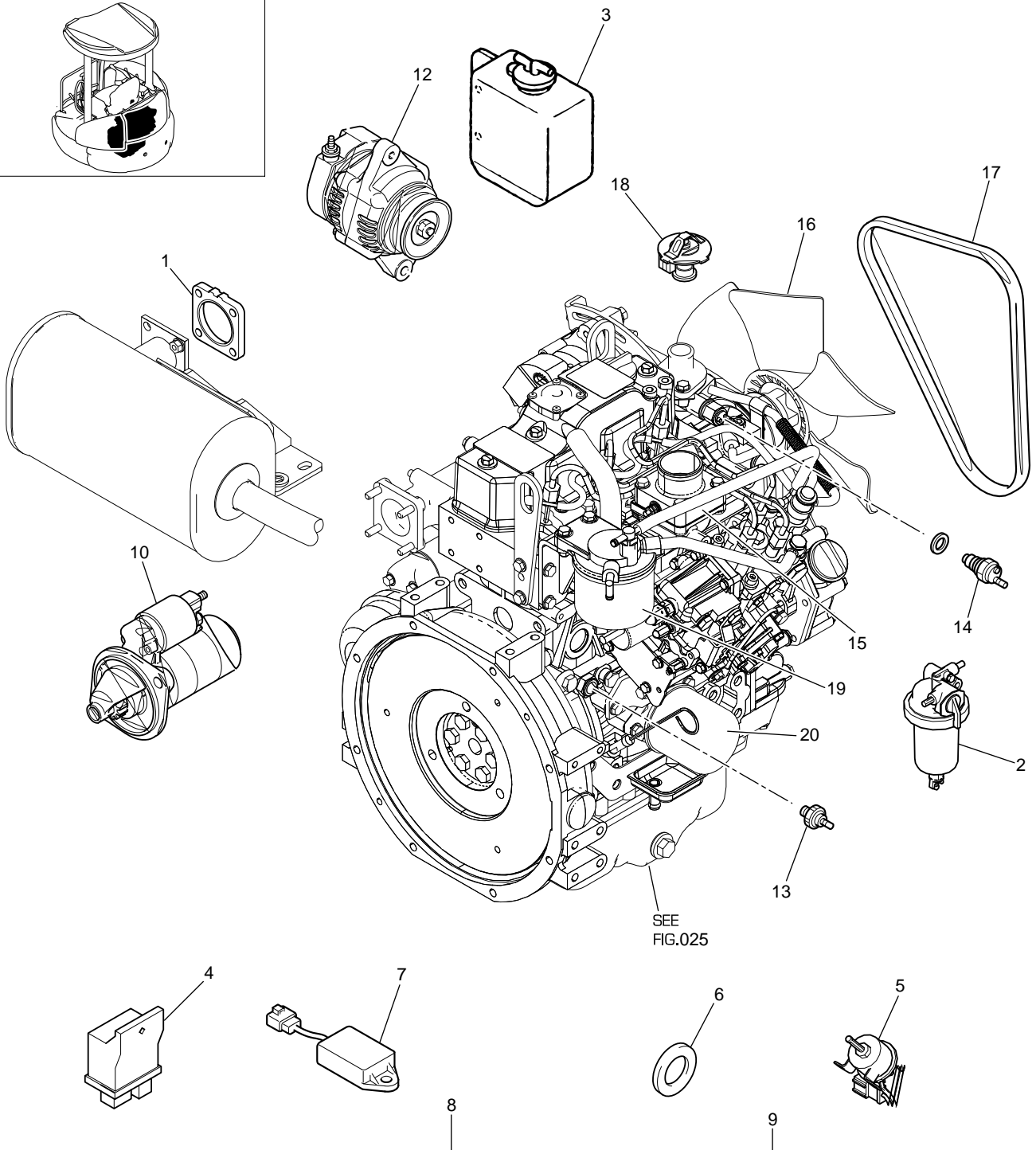
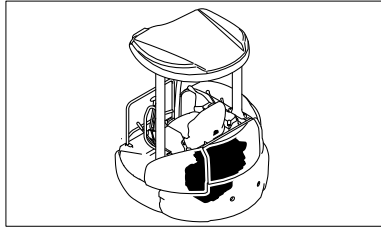
020-01

1

p1

08/05

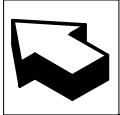
ENGINE ASSY  
MOTORE TERMICO  
MOTEUR THERMIQUE  
MOTOR



SEE FIG.025

**IMPORTANT ENGINE INFORMATION**  
 THIS ENGINE CONFORMS TO MODEL YEAR U. S. EPA REGULATIONS NONROAD COMPRESSION IGNITION ENGINES.  
 THIS ENGINE IS CERTIFIED TO OPERATE ON 15-20° FUEL  
 ENGINE FAMILY :          DISPLACEMENT :          LITERS  
 ENGINE MODEL :          EMISSION CONTROL SYSTEM :          EM  
 FUEL RATE :          L/STROKE @          RPM  
 REFER OWNER'S MANUAL FOR MAINTENANCE SPECIFICATIONS AND ADJUSTMENTS  
 YANMAR DIESEL ENGINE Co., Ltd.

**IMPORTANT ENGINE INFORMATION**  
 THIS ENGINE CONFORMS TO 91/68/EEC DIRECTIVE  
 ENGINE FAMILY :           
 ENGINE MODEL :           
 APPROVAL NUMBER :           
 YANMAR DIESEL ENGINE CO., LTD.



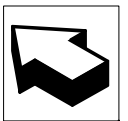
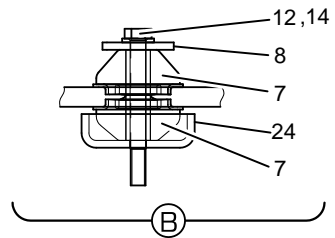
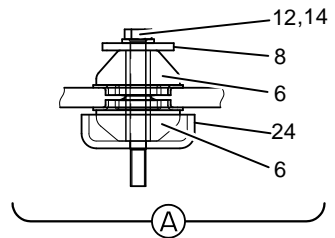
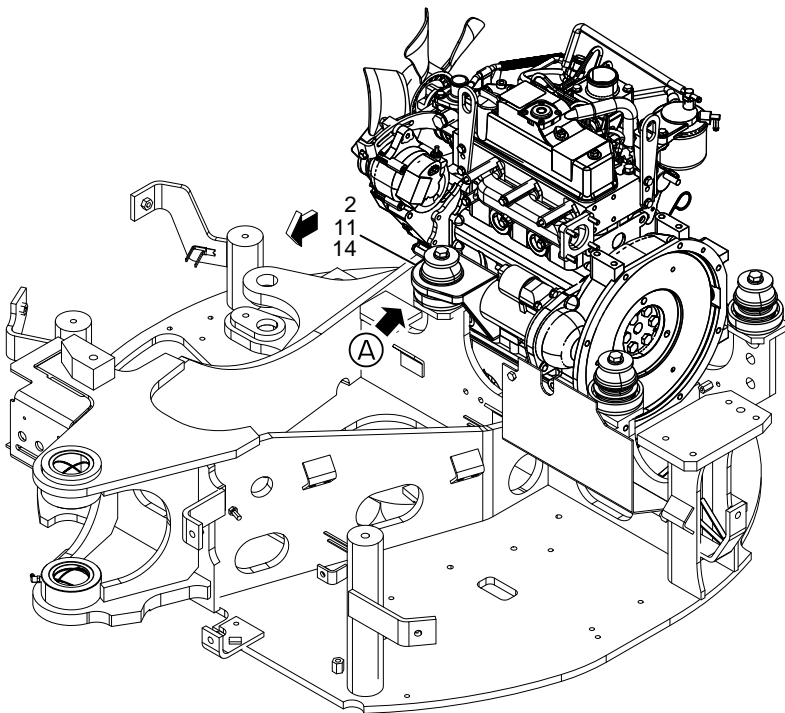
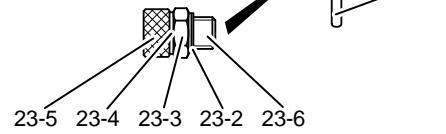
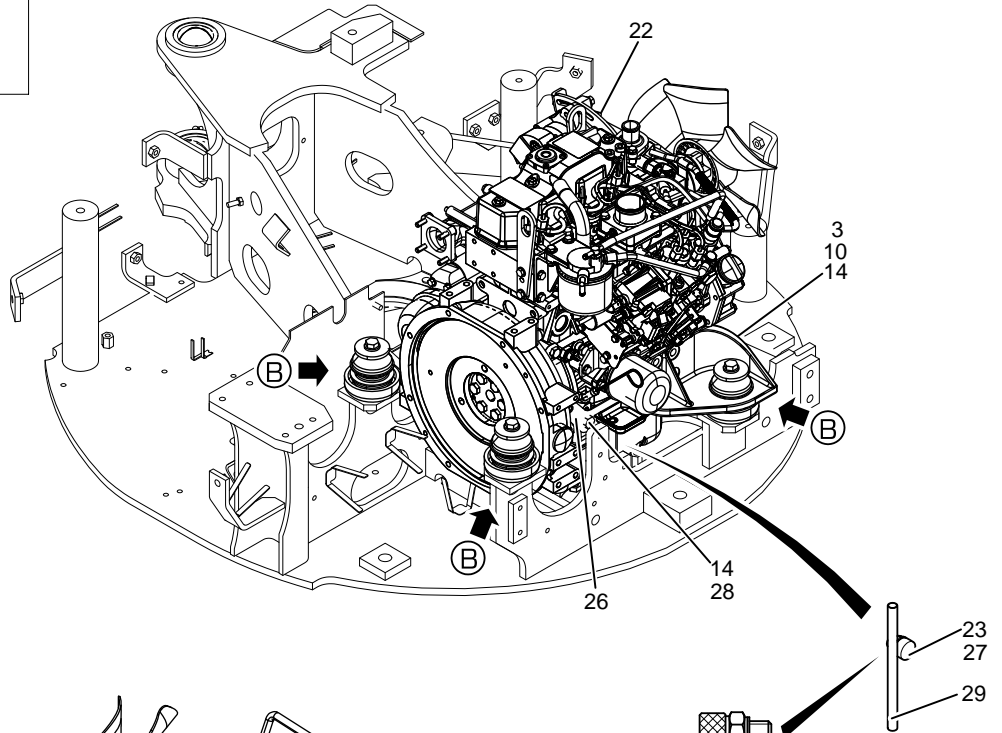
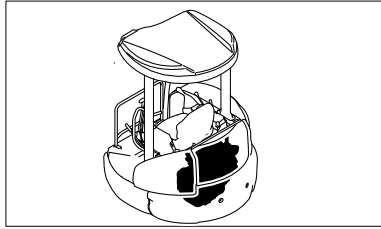
## MOTOR

R	N	P.N.	MOD	Q	Description Denominacion	Descrizione Denominação	Description Beschrijving	Bezeichnung Beskrivelse	L.C.
-		72281249		1	ENGINE - ASSY MOTOR	MOTORE MOTOR	MOTEUR MOTOR	MOTOR MOTOR	130M
1		72280593		1	GASKET JUNTA HERMETICA	GUARNIZIONE JUNTA	JOINT DICHTINGSSTUK	DICHTUNG, FLACH PAKNING	123G
2		72280600		1	SET OF PARTS JUEGO DE PIEZAS	SERIE PARTICOLARI CONJUNTO DE PECAS	LOT DE PIECES STEL ONDERDELEN	ERSATZTEILSATZ RESERVEDELSAET	119S
3		72271530		1	TANK DEPOSITO	SERBATOIO DEPOSITO	RESERVOIR TANK	TANKBEHÄLTER TANK	115S
4		72281260		1	RELAY CONECTADOR	RELE' CONECTADOR	RELAIS RELAIS	RELAIS RELAE	011R
5		72280608		1	PUMP, FUEL BOMBA DE ALIMENTACI	POMPA DI ALIMENTAZIC BOMBA DE COMBUSTIVI	POMPE D'ALIMENTATIOI BRANDSTOFPOMP	KRAFTSTOFFPUMPE BRAENDSTOFFPUMPE	154P
6		72273660		1	GASKET JUNTA HERMETICA	GUARNIZIONE JUNTA	JOINT DICHTINGSSTUK	DICHTUNG, FLACH PAKNING	123G
7		72273635		1	SWITCH CONTACTOR	INTERRUPTORE INTERRUPTOR	CONTACTEUR AAN-UIT SCHAKELAAR	SCHALTER KONTAKT	075I
8		72273669		1	LABEL ETIQUETA	ETICHETTA ETIQUETA	ETIQUETTE ETIKET	ETIKETTE ETIKET	077E
9		72951847		1	LABEL ETIQUETA	ETICHETTA ETIQUETA	ETIQUETTE ETIKET	ETIKETTE ETIKET	077E
10		72280431		1	MOTOR, STARTER MOTOR DE ARRANQUE	MOTORINO DI AVVIAMEI MOTOR ARRANQUE REC	DEMARREUR STARTMOTOR	ANLASSER STARTMOTOR	133M
12		72281434		1	DYNAMO DINAMO	DINAMO DINAMO	DYNAMO DYNAMO	LICHTMASCHINE DYNAMO	Z475
13		72951910		1	SWITCH CONTACTOR	INTERRUPTORE INTERRUPTOR	CONTACTEUR AAN-UIT SCHAKELAAR	SCHALTER KONTAKT	075I
14		72951914		1	SWITCH CONTACTOR	INTERRUPTORE INTERRUPTOR	CONTACTEUR AAN-UIT SCHAKELAAR	SCHALTER KONTAKT	075I
15		72281435		1	HEATER RECALENTADOR	RISCALDATORE AQUECEDOR	RECHAUFFEUR VERWARMER	HEIZGERÄT VARMEAPPARAT	105R
16		72281436		1	FAN VENTILADOR	VENTILATORE VENTOINHA	VENTILATEUR VENTILATOR	LÜFTER VENTILATOR	030V
17		72281437		1	V-BELT CORREA TRAPEZOIDAL	CINGHIA, TRAPEZ CORREIA V	COURROIE TRAPEZOID. V-BELT	KEILRIEMEN V-BELT	Z087
18		72280395		1	THERMOSTAT THERMOSTATO	TERMOSTATO THERMOSTATO	THERMOSTAT THERMOSTAAT	THERMOSTAT THERMOSTAT	096T
19		72285864		1	FILTER FILTRO	FILTRO FILTRO	FILTRE FILTER	FILTER FILTER	065F
20		72285863		1	KIT EQUIPO	CORREDO KIT	KIT KIT	SATZ UDSTYR	305C

E20.2SR E22.2SR



ENGINE INSTALLATIONS  
INSTALLAZIONE MOTORE  
INSTALLATIONS DU MOTEUR  
MOTORANLAGE

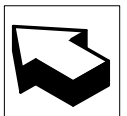
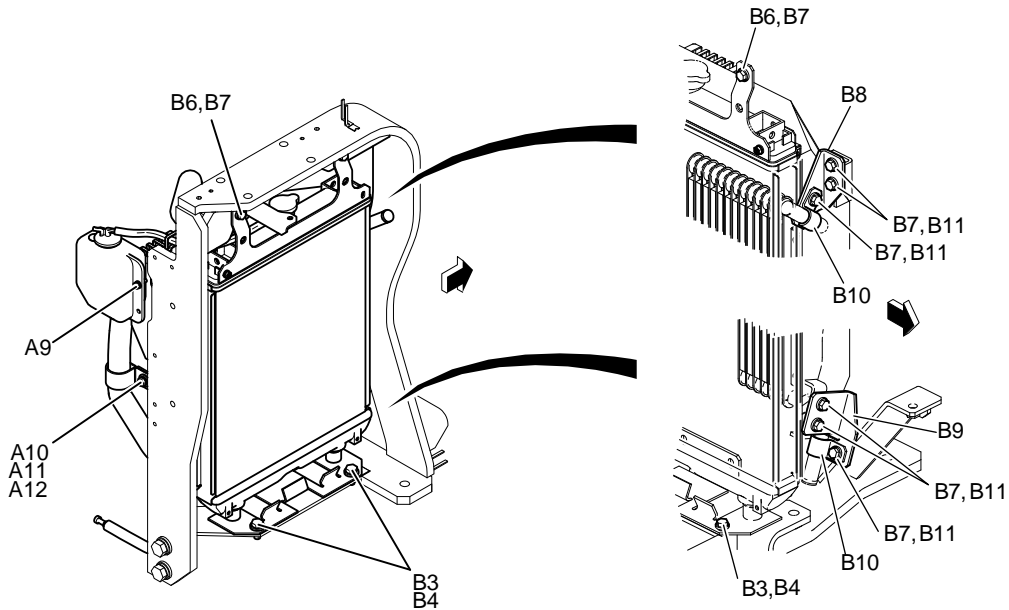
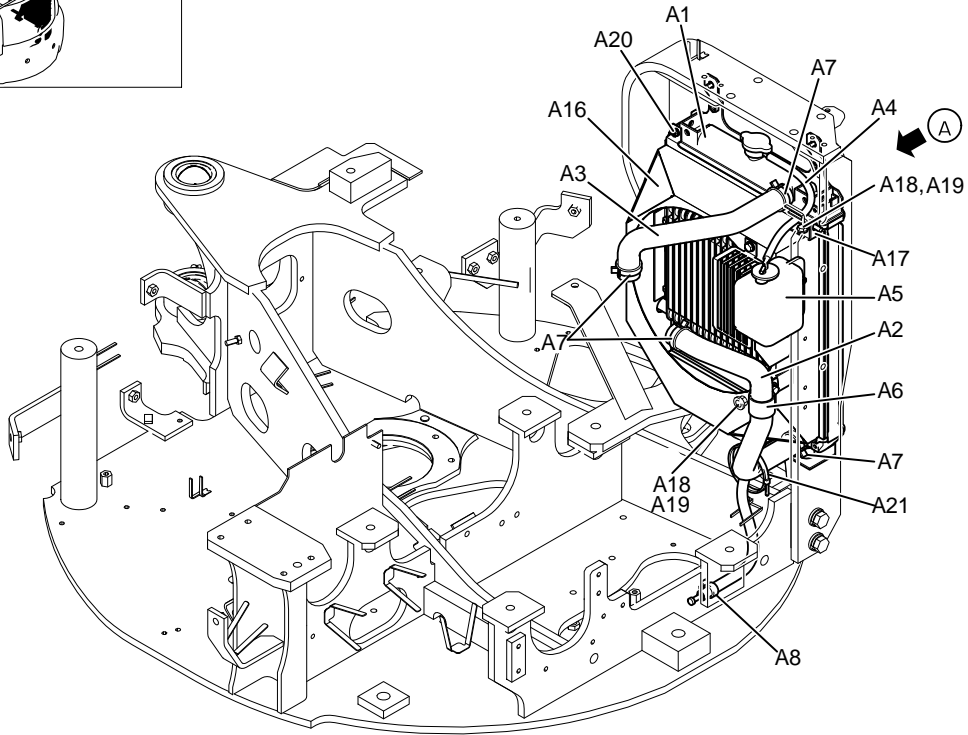
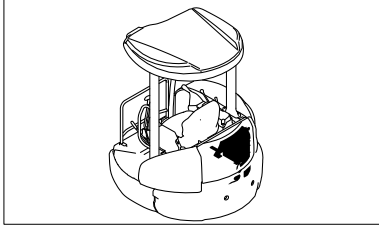


## INSTALACIÓN MOTOR

R	N	P.N.	MOD	Q	Description Denominacion	Descrizione Denominação	Description Beschrijving	Bezeichnung Beskrivelse	L.C.
-		72281438		1	SET OF PARTS - ASSY JUEGO DE PIEZAS	SERIE PARTICOLARI CONJUNTO DE PECAS	LOT DE PIECES STEL ONDERDELEN	ERSATZTEILSATZ RESERVEDELSSAET	119S
2		72281439		1	BRACKET PIEZA DE SOPORTE	STAFFA BRACADEIRA	PATTE FIXATION STEUNBEUGEL	HALTERUNG BESLAG	225S
3		72281440		1	BRACKET PIEZA DE SOPORTE	STAFFA BRACADEIRA	PATTE FIXATION STEUNBEUGEL	HALTERUNG BESLAG	225S
6		72280520		2	MOUNTING, RUBBER TEJUELO, GOMA	SUPPORTO, DI GOMMA MONTAGEM DE BORRA	PALIER CAOUTCHOUC MOUNTING, RUBBER	GUMMIHALTERUNG MOUNTING, RUBBER	P777
7		72281441		6	MOUNTING, RUBBER TEJUELO, GOMA	SUPPORTO, DI GOMMA MONTAGEM DE BORRA	PALIER CAOUTCHOUC MOUNTING, RUBBER	GUMMIHALTERUNG MOUNTING, RUBBER	P777
8		72951034		4	WASHER ARANDELA	ROSETTA PIANA ANILHA	RONDELLE SLUITRING	BEILAGSCHEIBE FLADSKIVE	131R
10		72951701		4	SCREW TORNILLO	VITE PARAFUSO	VIS SCHROEF	SCHRAUBE SKRUE	040V
11		72951702		4	SCREW TORNILLO	VITE PARAFUSO	VIS SCHROEF	SCHRAUBE SKRUE	040V
12		72953339		4	SCREW TORNILLO	VITE PARAFUSO	VIS SCHROEF	SCHRAUBE SKRUE	040V
14		72283448		13	WASHER ARANDELA	ROSETTA PIANA ANILHA	RONDELLE SLUITRING	BEILAGSCHEIBE FLADSKIVE	131R
22		72281249		1	ENGINE - ASSY SEE P.020 MOTOR	MOTORE MOTOR	MOTEUR MOTOR	MOTOR MOTOR	130M
23		72280522		1	SET OF PARTS JUEGO DE PIEZAS	SERIE PARTICOLARI CONJUNTO DE PECAS	LOT DE PIECES STEL ONDERDELEN	ERSATZTEILSATZ RESERVEDELSSAET	119S
23-2		72280523		1	WASHER ARANDELA	ROSETTA PIANA ANILHA	RONDELLE SLUITRING	BEILAGSCHEIBE FLADSKIVE	131R
23-3		72280524		1	BODY CUERPO	CORPO CORPO	CORPS LICHAM	KÖRPER HUS	300C
23-4		72280525		1	O-RING JUNTA HERMETICA	ANELLO TOROIDALE O-RING	JOINT THORIQUE O-RING	O-RING O-RING	055A
23-5		72280526		1	CAP TAPON DEL DEPOSITO	TAPPO SERBATOIO TAMPAO DE RESERVAT	CHAPEAU RESERVOIRDOP	KAPPE TANKDAEKSEL	052T
23-6		72280527		1	PLUG TAPÓN	TAPPO BUJAO	BOUCHON PLUG	STOPFEN PROP	050T
24		72280528		4	COVER TAPADERA	COPERCHIO COBERTA	COUVERCLE DEKSEL	DECKEL DÆKSEL	265C
26		{NS}		1					
27		72285610		1	HOSE MANGA	MANICOTTO FLESSIBILE TUBO FLEXIVEL	FLEXIBLE FLEXIBELE BUIS	SCHLAUCH SLANGE	030M
28		72280778		1	SCREW TORNILLO	VITE PARAFUSO	VIS SCHROEF	SCHRAUBE SKRUE	040V
29		72281443		1	PACKING EMPAQUETADURA	GUARNIZIONE, IMBALLA EMBALAGEM	GARNITURE/ETOUPE PACKING	DICHTPACKUNG PACKING	5950

E20.2SR E22.2SR

RADIATOR  
RADIATORE  
RADIATEUR  
KÜHLER

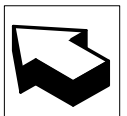
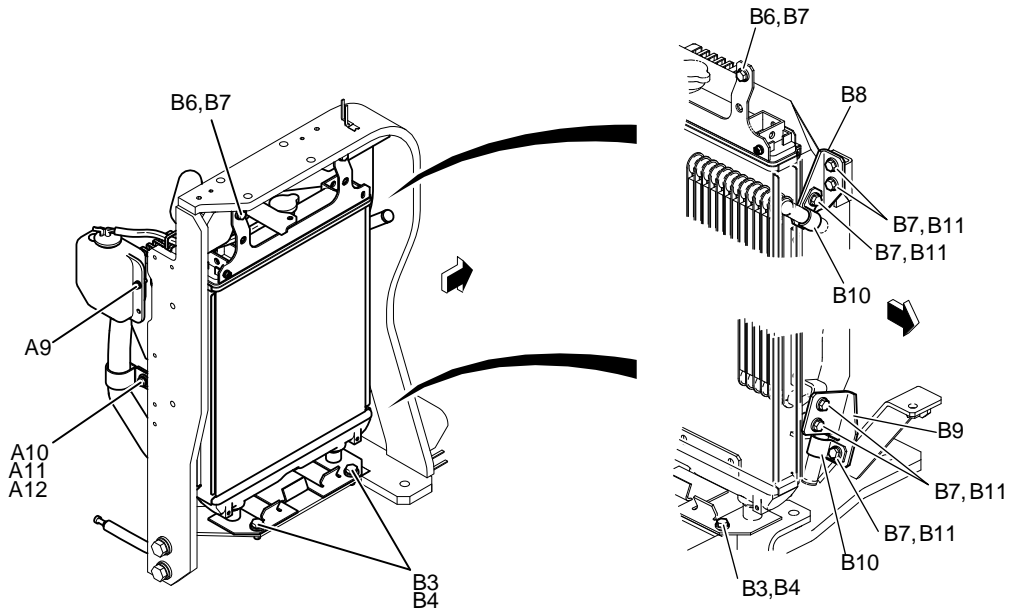
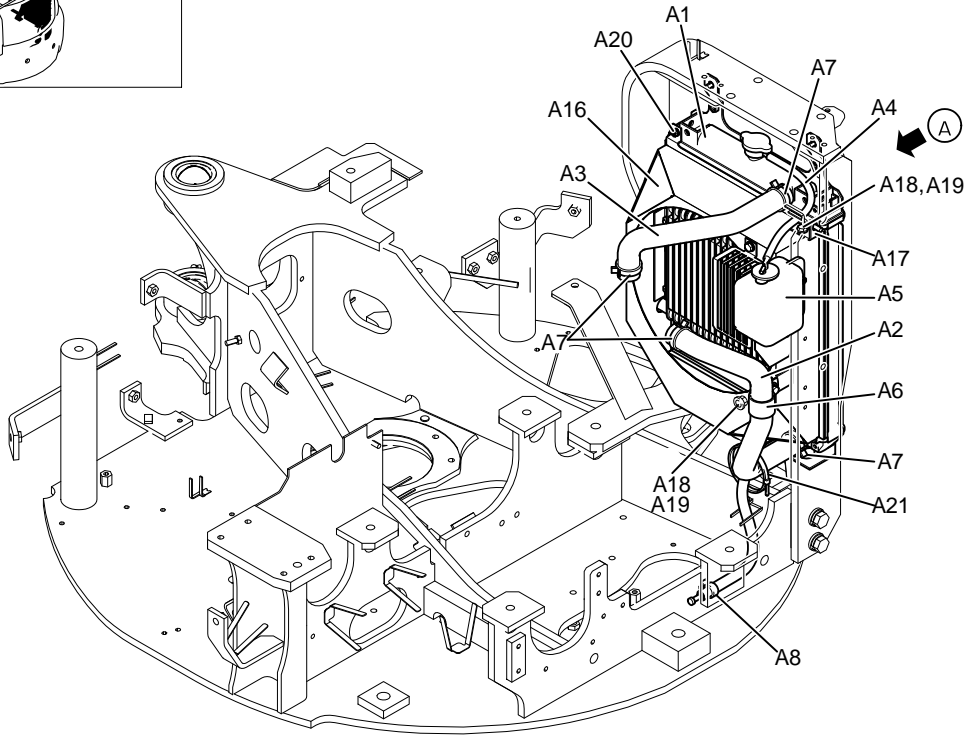
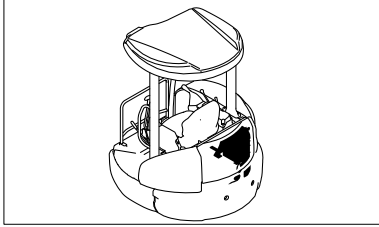


## RADIADOR

R	N	P.N.	MOD	Q	Description Denominacion	Descrizione Denominação	Description Beschrijving	Bezeichnung Beskrivelse	L.C.
-		{72281444}		1					
A1/A21		72281445		1	SET OF PARTS JUEGO DE PIEZAS	SERIE PARTICOLARI CONJUNTO DE PECAS	LOT DE PIECES STEL ONDERDELEN	ERSATZTEILSATZ RESERVEDELSAET	119S
A1		72281446		1	RADIATOR - ASSY SEE P.034				
A2		72281447		1	RADIADOR HOSE, LARGE Manguito	RADIATORE ARREFECEDOR TUBO FLESSIBILE,GRDE MANGOTE	RADIATEUR RADIATOR KOELER Durite HOSE, LARGE	KÜHLER KØLER SCHLAUCH, GROSS HOSE, LARGE	025R Z336
A3		72281448		1	HOSE, LARGE Manguito	TUBO FLESSIBILE,GRDE MANGOTE	Durite HOSE, LARGE	SCHLAUCH, GROSS HOSE, LARGE	Z336
A4		{NS}		1					
A5		72271530		1	TANK DEPOSITO	SERBATOIO DEPOSITO	RESERVOIR TANK	TANKBEHÄLTER TANK	115S
A6		72951597		1	CLIP SUJETADOR	FERMAGLIO FIXADOR	CLIP KLEM	KLAMMER KLIPS	045F
A7		72950593		7	CLIP SUJETADOR	FERMAGLIO FIXADOR	CLIP KLEM	KLAMMER KLIPS	045F
A8		{NS}		2					
A9		72951649		2	SCREW TORNILLO	VITE PARAFUSO	VIS SCHROEF	SCHRAUBE SKRUE	040V
A10		72951684		1	SCREW TORNILLO	VITE PARAFUSO	VIS SCHROEF	SCHRAUBE SKRUE	040V
A11		12581579		1	WASHER ARANDELA	ROSETTA PIANA ANILHA	RONDELLE SLUITRING	BEILAGSCHEIBE FLADSKIVE	131R
A12		72209113		1	WASHER ARANDELA	ROSETTA PIANA ANILHA	RONDELLE SLUITRING	BEILAGSCHEIBE FLADSKIVE	131R
A16		72281449		1	SHROUD - ASSY SEE P.034				
A17		72281450		1	BOQUILLA BRACKET PIEZA DE SOPORTE	RIPARO COBERTURA STAFFA BRACADEIRA	BUSE SHROUD PATTE FIXATION STEUNBEUGEL	ABSCHIRMUNG DÆKKE HALTERUNG BESLAG	7830 225S
A18		72951685		4	SCREW TORNILLO	VITE PARAFUSO	VIS SCHROEF	SCHRAUBE SKRUE	040V
A19		13559021		4	WASHER ARANDELA	ROSETTA PIANA ANILHA	RONDELLE SLUITRING	BEILAGSCHEIBE FLADSKIVE	131R
A20		72951648		1	SCREW TORNILLO	VITE PARAFUSO	VIS SCHROEF	SCHRAUBE SKRUE	040V
A21		72954243		1	CLIP SUJETADOR	FERMAGLIO FIXADOR	CLIP KLEM	KLAMMER KLIPS	045F
B3/B11		72281451		1	SET OF PARTS JUEGO DE PIEZAS	SERIE PARTICOLARI CONJUNTO DE PECAS	LOT DE PIECES STEL ONDERDELEN	ERSATZTEILSATZ RESERVEDELSAET	119S
B3		47045387		2	SCREW TORNILLO	VITE PARAFUSO	VIS SCHROEF	SCHRAUBE SKRUE	040V
B4		47045385		2	WASHER ARANDELA	ROSETTA PIANA ANILHA	RONDELLE SLUITRING	BEILAGSCHEIBE FLADSKIVE	131R

E20.2SR E22.2SR

RADIATOR  
RADIATORE  
RADIATEUR  
KÜHLER



## RADIADOR

R	N	P.N.	MOD	Q	Description Denominacion	Descrizione Denominação	Description Beschrijving	Bezeichnung Beskrivelse	L.C.
B6		72951684		2	SCREW TORNILLO	VITE PARAFUSO	VIS SCHROEF	SCHRAUBE SKRUE	040V
B7		13559021		8	WASHER ARANDELA	ROSETTA PIANA ANILHA	RONDELLE SLUITRING	BEILAGSCHEIBE FLADSKIVE	131R
B8		72281452		1	PLATE PLACA	PIASTRA CHAPA	PLAQUE PLAAT	PLATTE PLADE	105P
B9		72281453		1	PLATE PLACA	PIASTRA CHAPA	PLAQUE PLAAT	PLATTE PLADE	105P
B10		72280537		2	PLATE PLACA	PIASTRA CHAPA	PLAQUE PLAAT	PLATTE PLADE	105P
B11		72951685		6	SCREW TORNILLO	VITE PARAFUSO	VIS SCHROEF	SCHRAUBE SKRUE	040V

E20.2SR E22.2SR

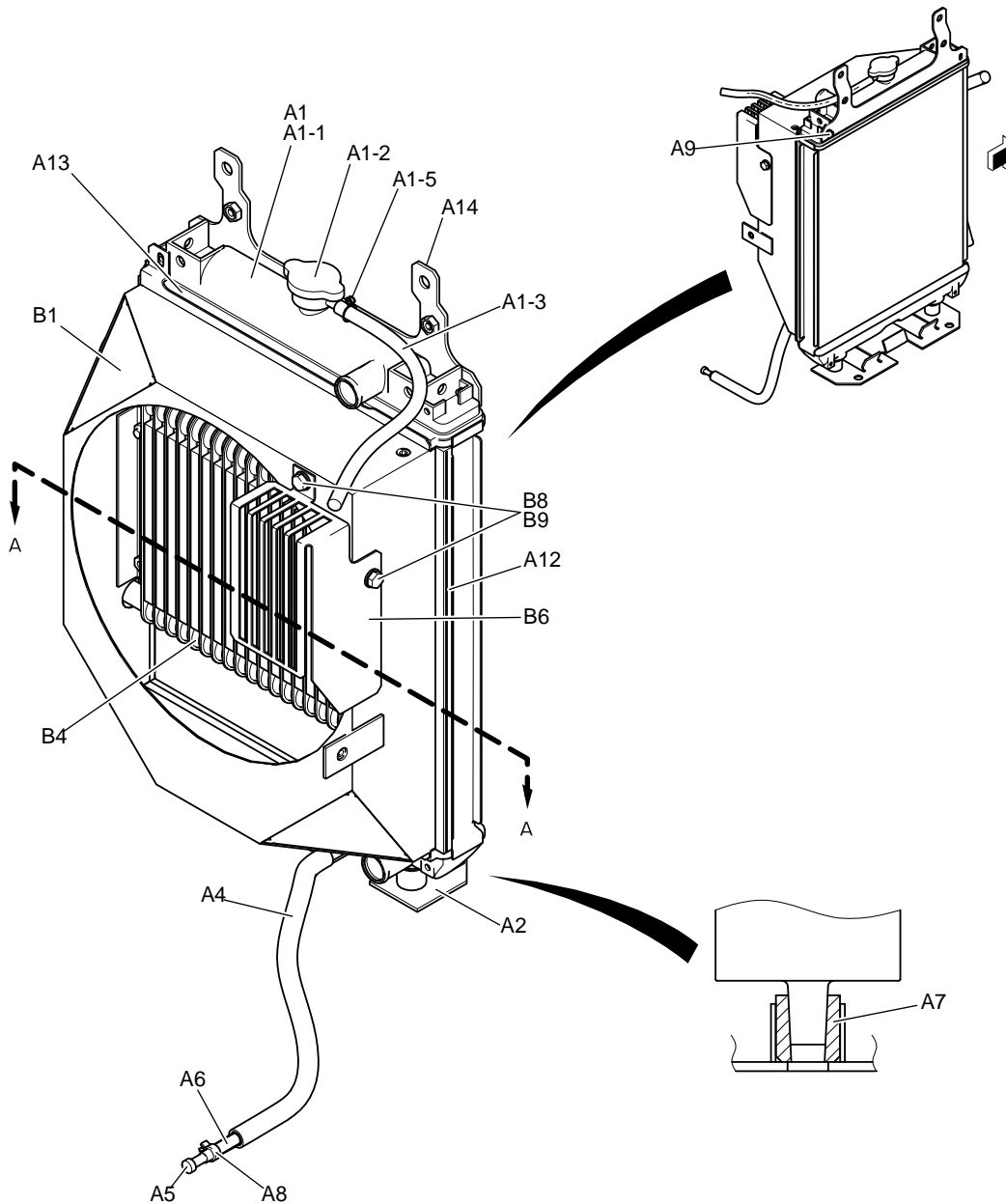
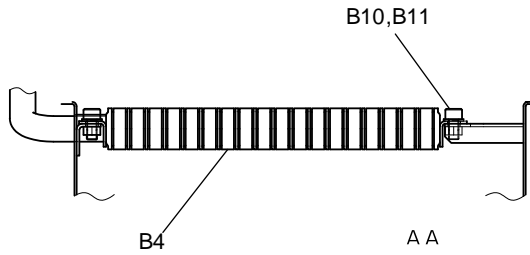
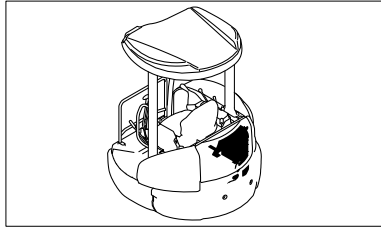
034-01

1

p1

06/05

RADIATOR  
RADIATORE  
RADIATEUR  
KÜHLER



Complete manual From  
[aservicemanualpdf.com](http://aservicemanualpdf.com)

**Thank you very much  
for your reading.**

**Please Click Here**

**Then            Get            More  
Information.**