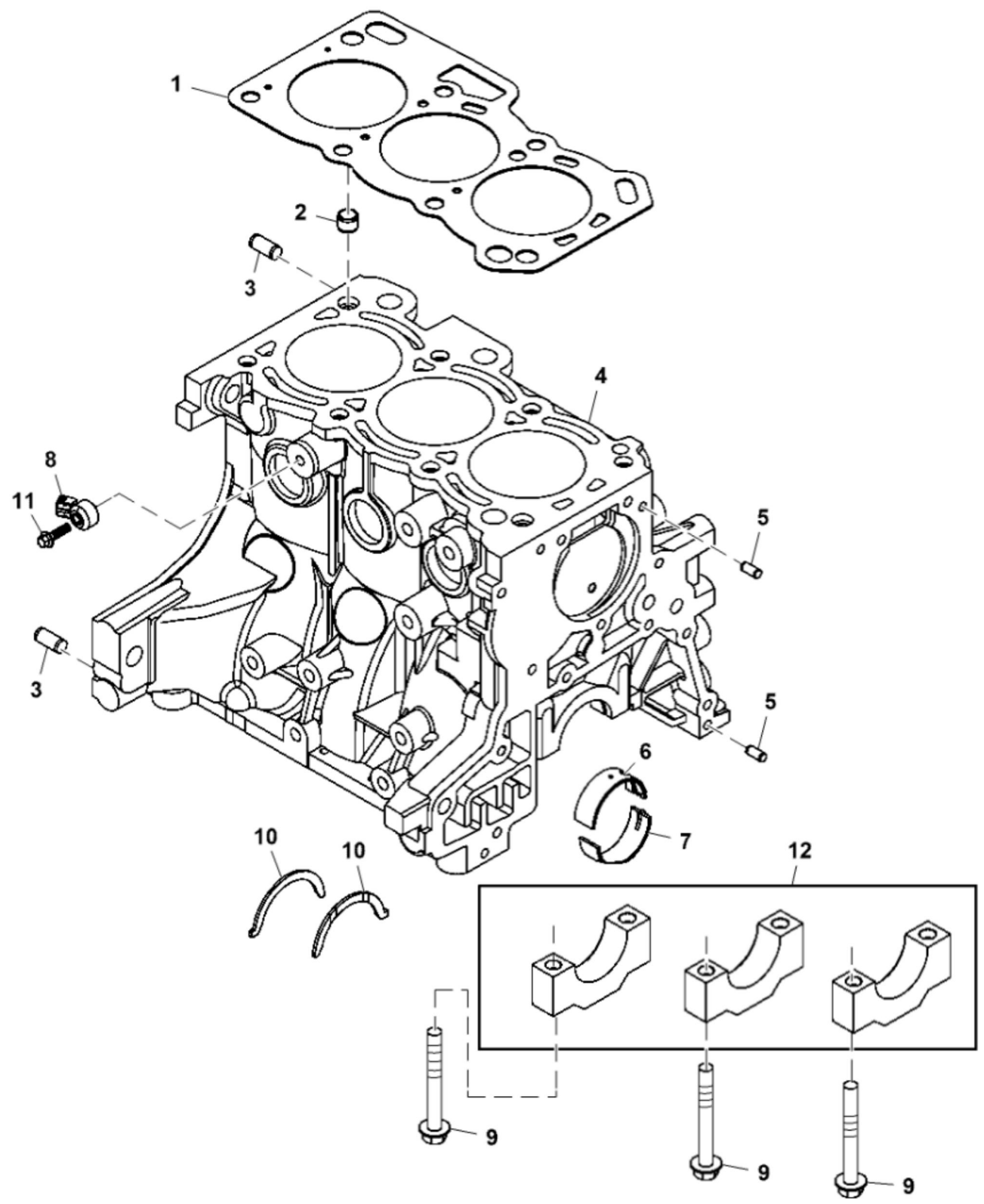


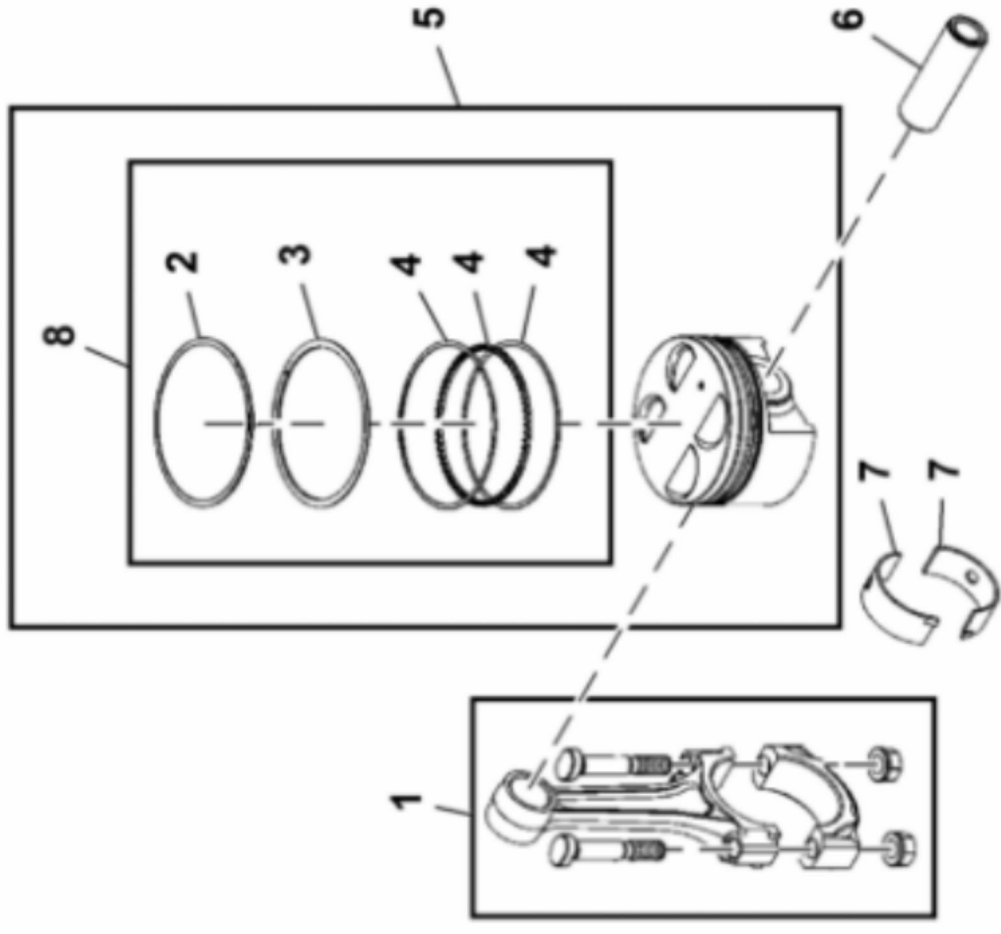
PU21552

KEY	PART NO.	PART NAME	QTY	Serial No.	REMARKS
1	MIA11100	GASOLINE ENGINE	1	____-060000	MARKED SRQ372, ORDER MIA12631
1	MIA12414	GASOLINE ENGINE	1	060001-080000	ORDER MIA12631
1	MIA12631	GASOLINE ENGINE	1	080001-_____	
2	AM146246	SCREW WITH WASHER	1		



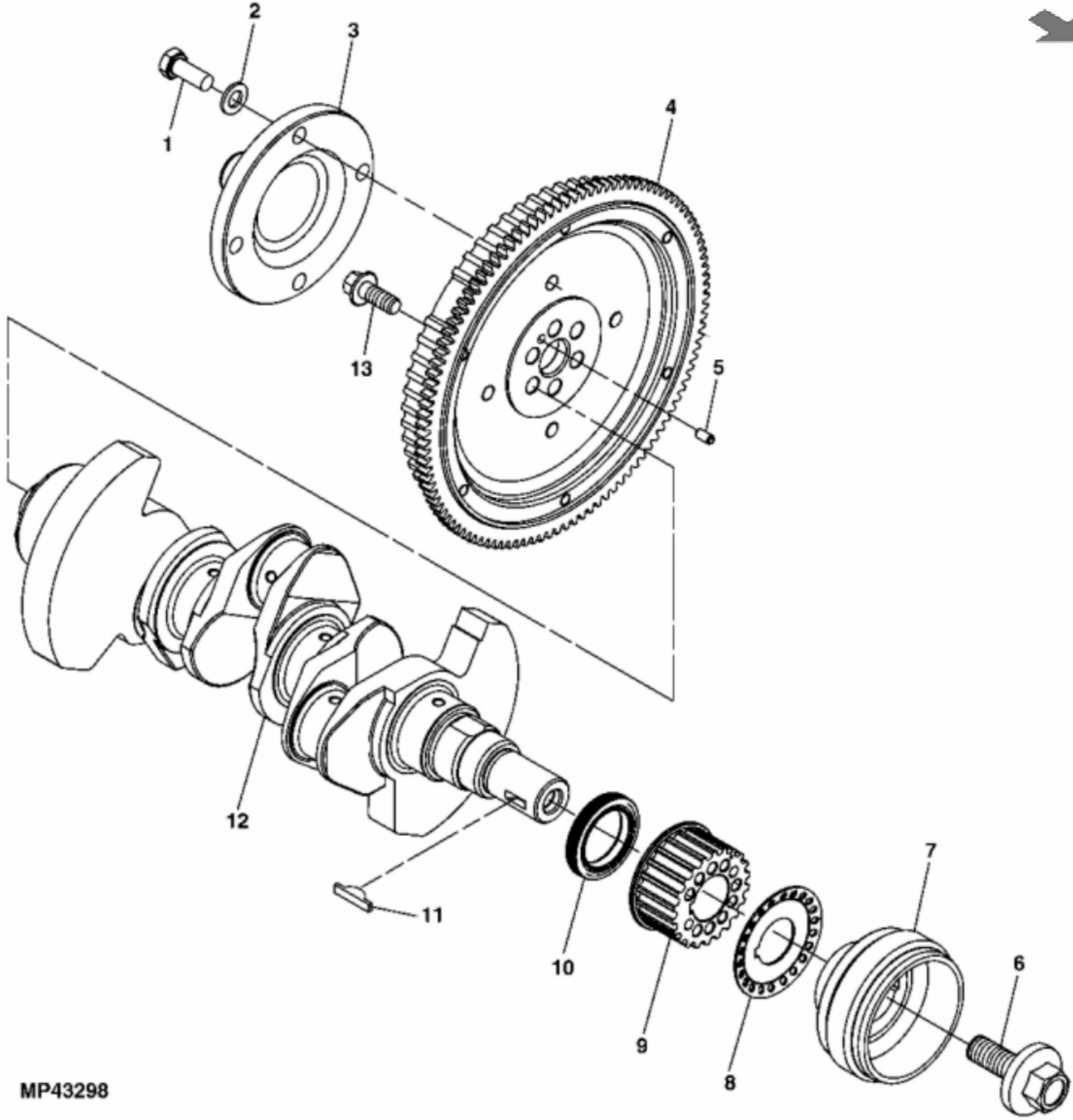
PU21553

KEY	PART NO.	PART NAME	QTY	REMARKS
1	MIA11698	GASKET	1	
2	MIU12575	DOWEL PIN	2	
3	MIU12577	DOWEL PIN	2	
4	MIA11695	CYLINDER BLOCK	1	
5	MIU12574	PIN	6	
6	MIU12655	BEARING	4	Upper Main
7	MIU12656	BEARING	4	Lower Main
8	MIA11696	SENSOR	1	
9	MIU12691	BOLT	8	
10	MIU12654	THRUST WASHER	2	
11	19M7868	SCREW	1	M8 X 30
12	MIA12358	BEARING KIT	4	
13	MIU12678	BOLT	1	(Not Illustrated)



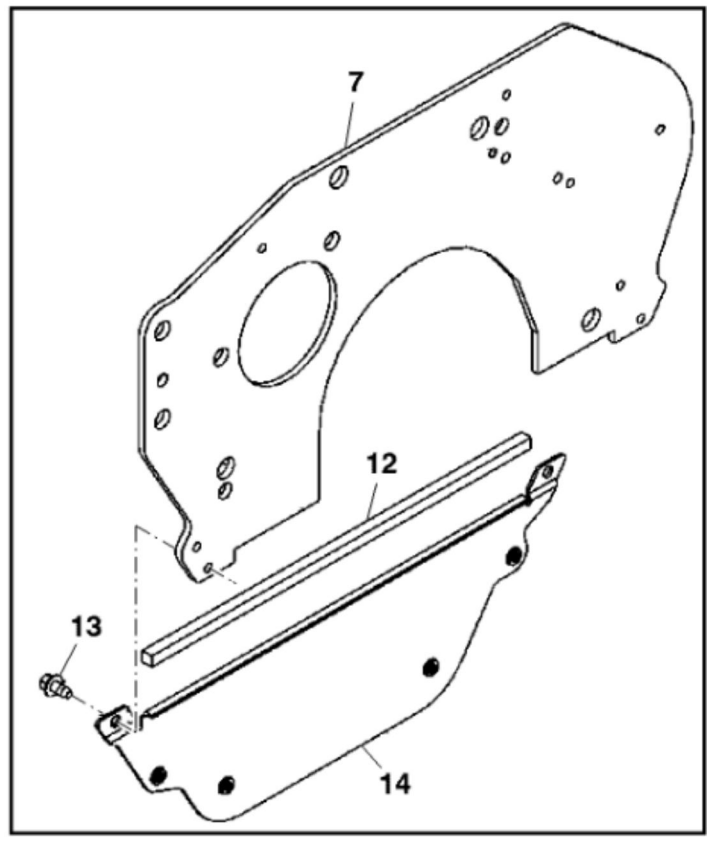
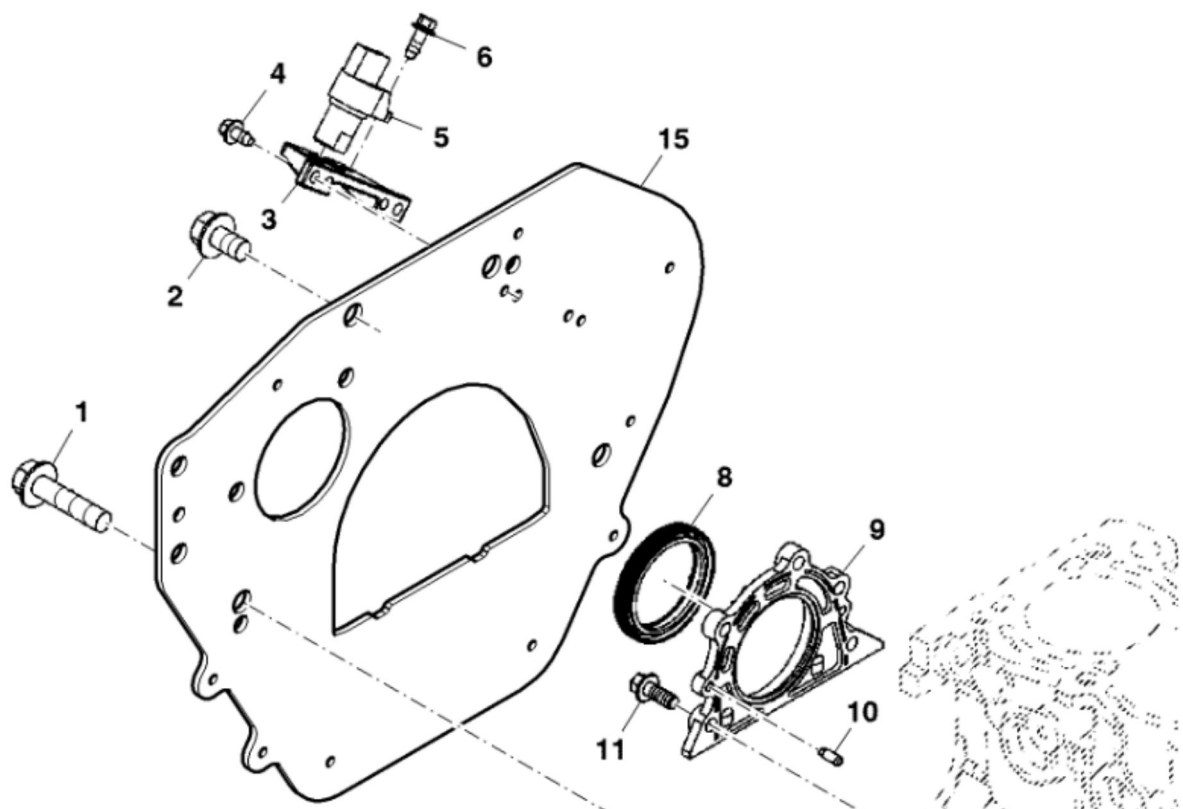
MX309704

KEY	PART NO.	PART NAME	QTY	REMARKS
1	MIA11712	CONNECTING ROD	3	
2	MIU12617	PISTON RING	3	ORDER MIA12357
3	MIU12618	PISTON RING	3	ORDER MIA12357
4	MIA11707	PISTON RING KIT	3	ORDER MIA12357
5	MIU12616	PISTON	3	
6	MIU12620	PISTON PIN	3	
7	MIU12619	BEARING	6	ORDER MIU13997
7	MIU13997	BEARING KIT	1	Set Of 6
8	MIA12357	PISTON RING KIT	3	
9	19M7783	SCREW	1	(Not Illustrated) M10 X 16
10	14M7299	FLANGE NUT	1	(Not Illustrated) M12



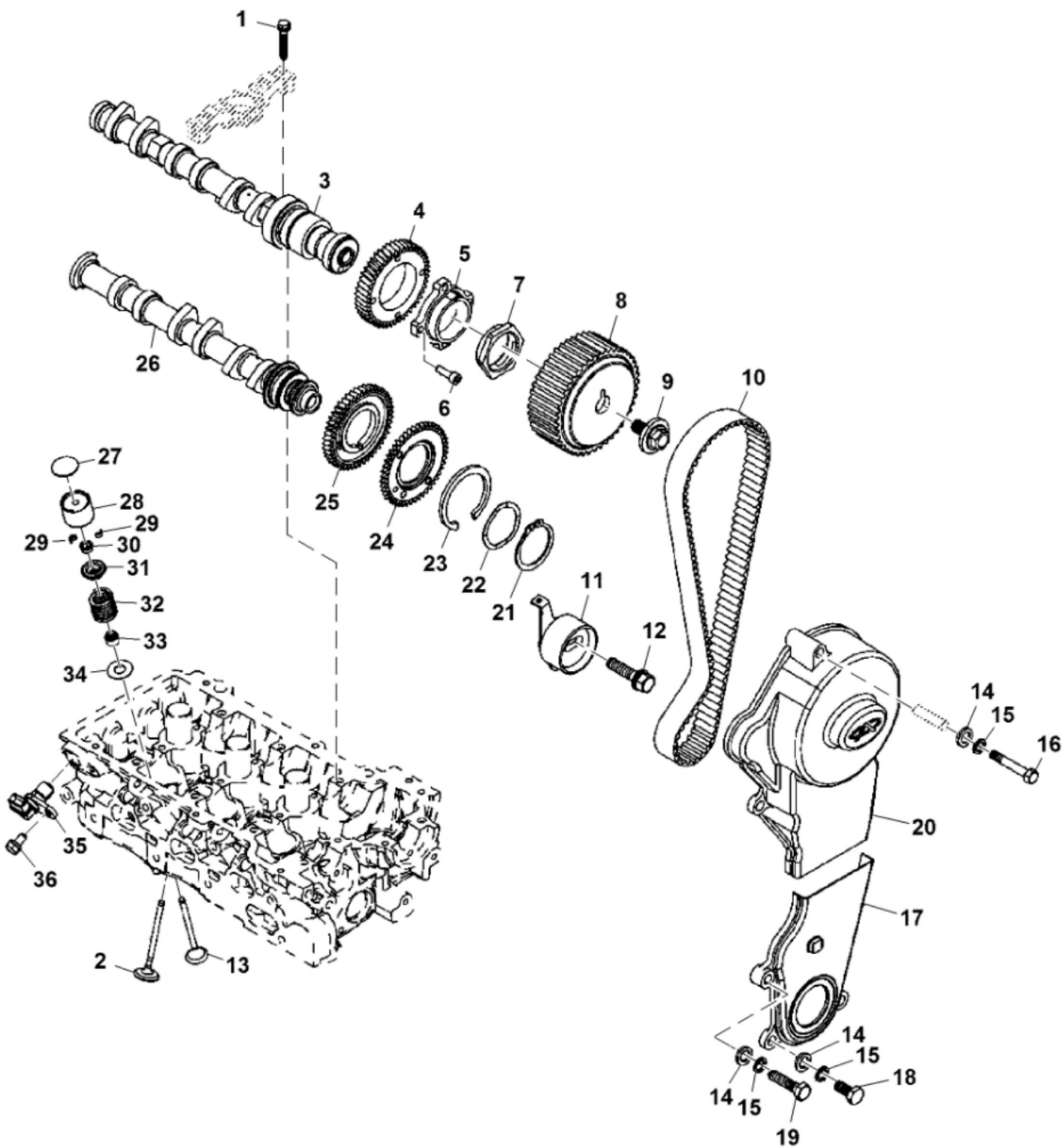
MP43298

KEY	PART NO.	PART NAME	QTY	Serial No.	REMARKS
1	19M7784	SCREW	4		M10 X 20, Flanged
2	24M7040	WASHER	4		11 X 20 X 2 mm
3	MTU12490	SHAFT	1		NLA, SUB MTU800331; ALSO ORDER (4) 19M7402 and (4) 24M7040
3	MTU800331	SHAFT	1	____-060000	Not Illustrated
3	MTU13920	SHAFT	1	060001-____	M10, Clutch Bolt Thread
4	MIA11728	FLYWHEEL KIT	1		
5	MTU12657	PIN	1		
6	MTU12649	BOLT	1		
7	MIA11729	PULLEY KIT	1		
8	MTU12675	WASHER	1		
9	MTU12651	GEAR	1		
10	MTU12652	SEAL	1		
11	MTU12653	KEY	1		
12	MIA11726	CRANKSHAFT	1		
13	MTU12650	BOLT	6		



PU07744

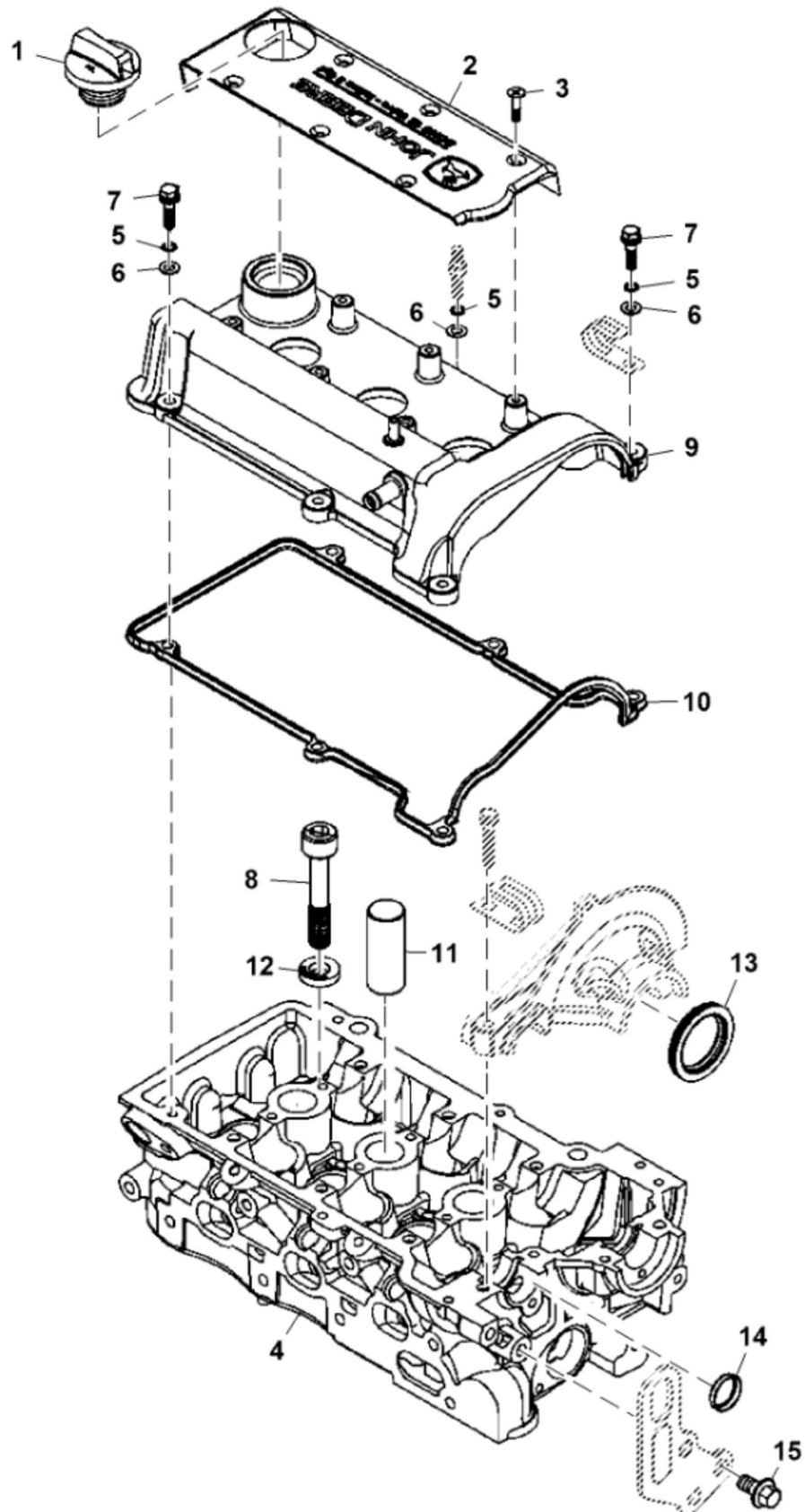
KEY	PART NO.	PART NAME	QTY	Serial No.	REMARKS
1	19M7813	BOLT	1		
2	19M7787	BOLT	3		
3	MTU12669	BRACKET	1		
4	37M7458	SCREW	2		M6 X 12
5	MIA11672	PROXIMITY SENSOR	1		Crank Position
6	37M7457	SCREW	1		M6 X 16
7	MTU12686	PLATE	1		ORDER MTU14021
8	MIA11727	SEAL	1		
9	MTU12628	BRACKET	1		
10	MTU12574	PIN	2		
11	19M7866	SCREW	5		M8 X 20
12	M158370	ISOLATOR	1	____-060000	
13	37M7089	SCREW	2		M6 X 12
14	M159143	PLATE	1		ORDER MTU14021
15	MTU14021	PLATE	1		Backing



MX296832

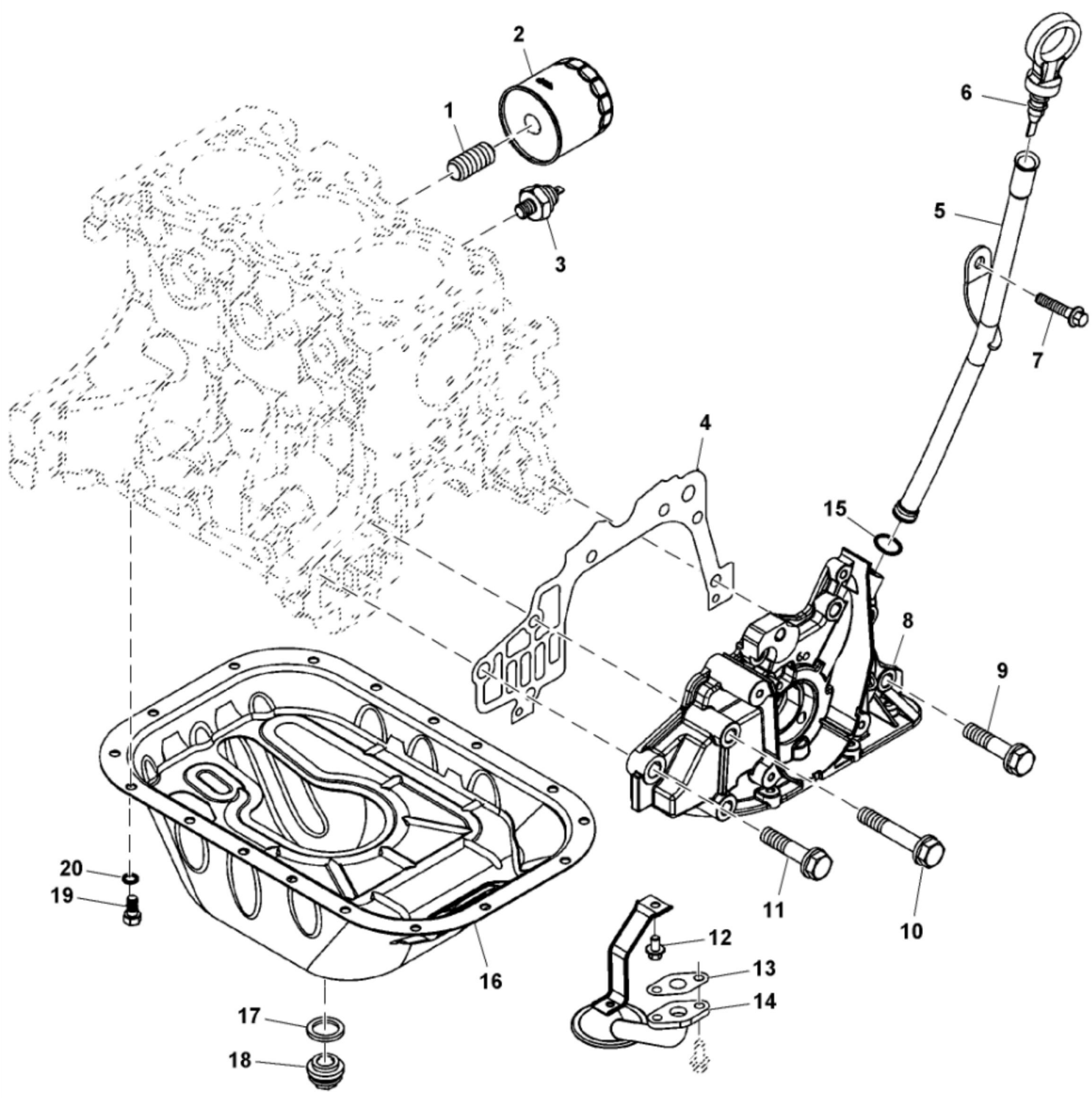
KEY	PART NO.	PART NAME	QTY	REMARKS
1	19M7797	SCREW	17	M6 X 40
2	MIU12610	VALVE	6	Exhaust
3	MIA11703	CAMSHAFT	1	
4	MIU12604	GEAR	1	
5	MIU12603	FLANGE	1	
6	19M8736	SCREW	4	M6 X 20
7	MIU12601	NIUT	1	
8	MIU12600	GEAR	1	
9	MIU12599	BOLT	1	
10	MIU12499	V-BELT	1	
11	MIA11700	PULLEY	1	
12	19M8320	SCREW	1	M10 X 45
13	MIU12611	VALVE	6	Intake
14	24M7054	WASHER	6	6.400 X 12 X 1.600 mm
15	12M7006	LOCK WASHER	6	6 mm
16	19M8329	CAP SCREW	1	M6 X 50
17	MIU12589	COVER	1	Lower
18	19M7933	CAP SCREW	1	M6 X 25
19	19M7775	SCREW	4	M6 X 16
20	MIU12588	COVER	1	Upper
21	MIU12591	SNAP RING	1	
22	MIU12596	WASHER	1	
23	MIU12597	RING	1	
24	MIU12598	GEAR	1	
25	MIA11701	GEAR	1	
26	MIA11702	CAMSHAFT	1	
27	MIU12788	SHIM	1	2.18 MM
27	MIU12789	SHIM	1	2.24 MM
27	MIU12790	SHIM	1	2.30 MM
27	MIU12791	SHIM	1	2.36 MM
27	MIU12792	SHIM	1	2.42 MM
27	MIU12793	SHIM	1	2.46 MM
27	MIU12794	SHIM	1	2.50 MM
27	MIU12795	SHIM	1	2.56 MM
27	MIU12798	SHIM	1	2.62 MM

KEY	PART NO.	PART NAME	QTY	REMARKS
27	MIU12799	SHIM	1	2.68 MM
27	MIU12800	SHIM	1	2.74 MM
27	MIU12801	SHIM	1	2.80 MM
28	MIU12605	TAPPET	12	
29	MIU12606	RETAINER	24	
30	MIU12658	SLEEVE	12	
31	MIU12607	SPRING	12	Upper Seat Valve
32	MIU12608	SPRING	12	
33	MIA11704	SEAL KIT	12	
34	MIU12609	SPRING	12	Lower Seat Valve
35	MIU12582	SENSOR	1	
36	19M7865	SCREW	1	M8 X 16



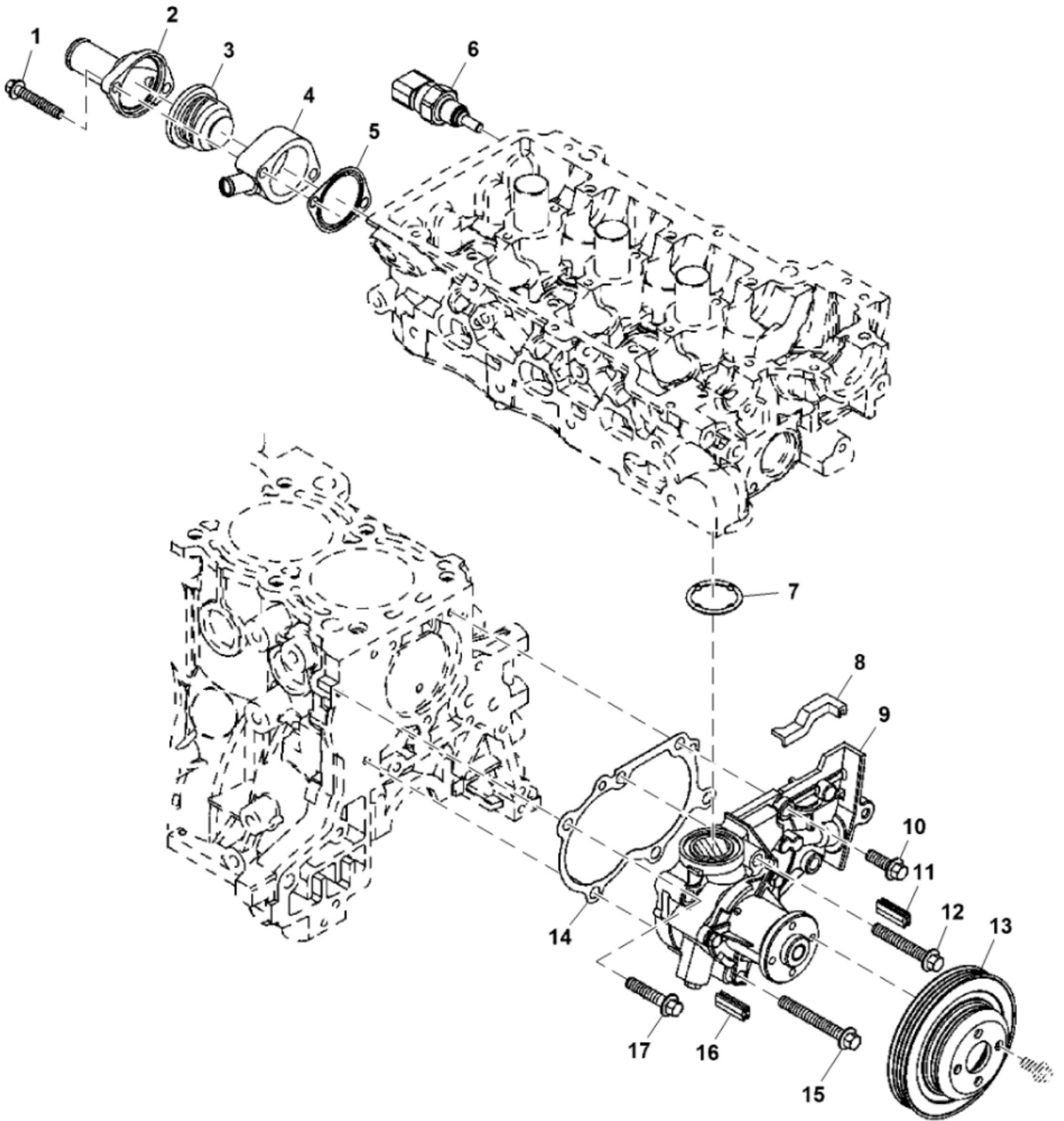
MX296840

KEY	PART NO.	PART NAME	QTY	REMARKS
1	MIA11705	CAP	1	
2	MIU12613	COVER	1	
3	21M7254	SCREW	6	M6 X 16
4	MIA11699	CYLINDER HEAD	1	
5	12M7006	LOCK WASHER	6	6 mm
6	24M7054	WASHER	6	6.400 X 12 X 1.600 mm
7	19M7933	CAP SCREW	5	M6 X 25
8	MIU12579	BOLT	8	
9	MIA12638	COVER	1	SUB FOR MIA11706
10	MIU12614	GASKET	1	
11	MIU12578	SLEEVE	3	
12	MIU12580	WASHER	8	
13	MIU12587	SEAL	1	
14	MIU12586	PLUG	1	
15	19M7865	SCREW	2	M8 X 16



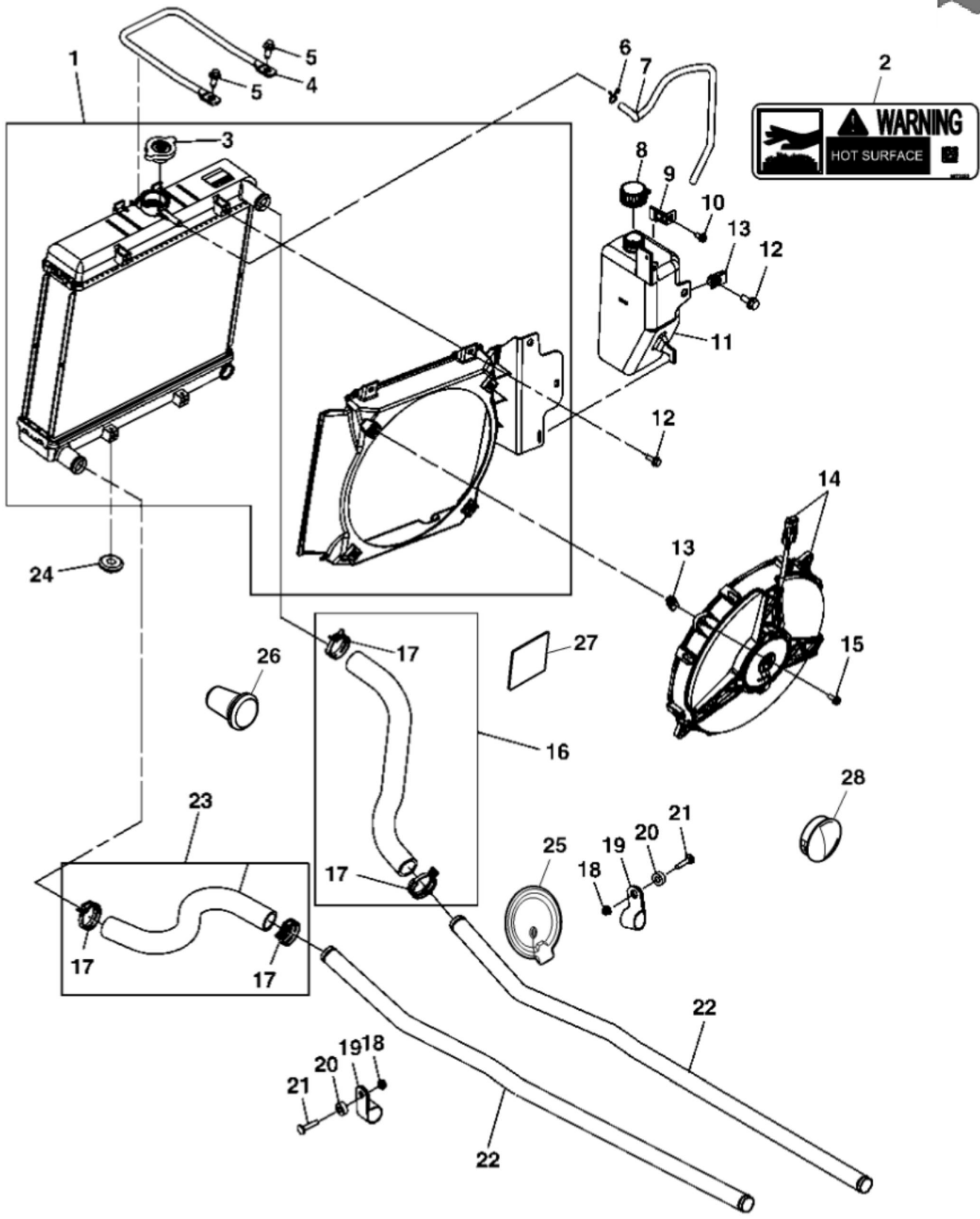
MX296834

KEY	PART NO.	PART NAME	QTY	REMARKS
1	MIU12627	FITTING	1	
2	AM107423	OIL FILTER	1	
3	MIA11697	PRESSURE SWITCH	1	Pressure
4	MIU12622	GASKET	1	
5	MIA11716	DIPSTICK TUBE	1	
6	MIA11715	DIPSTICK	1	
7	MIU12590	BOLT	2	
8	MIA11708	OIL PUMP INTAKE	1	
9	19M7868	SCREW	3	M8 X 30
10	19M7981	CAP SCREW	2	M8 X 55
11	19M7811	SCREW	1	M10 X 90
12	19M7923	CAP SCREW	1	M6 X 12
13	MIU12625	GASKET	1	
14	MIA11709	STRAINER	1	
15	T74550	O-RING	1	
16	MIA11710	RESERVOIR	1	
17	T105179	WASHER	1	SUB FOR MIU12692
18	MIU12693	PLUG	1	
19	19M7932	CAP SCREW	17	M8 X 16
20	12M7006	LOCK WASHER	17	6 mm



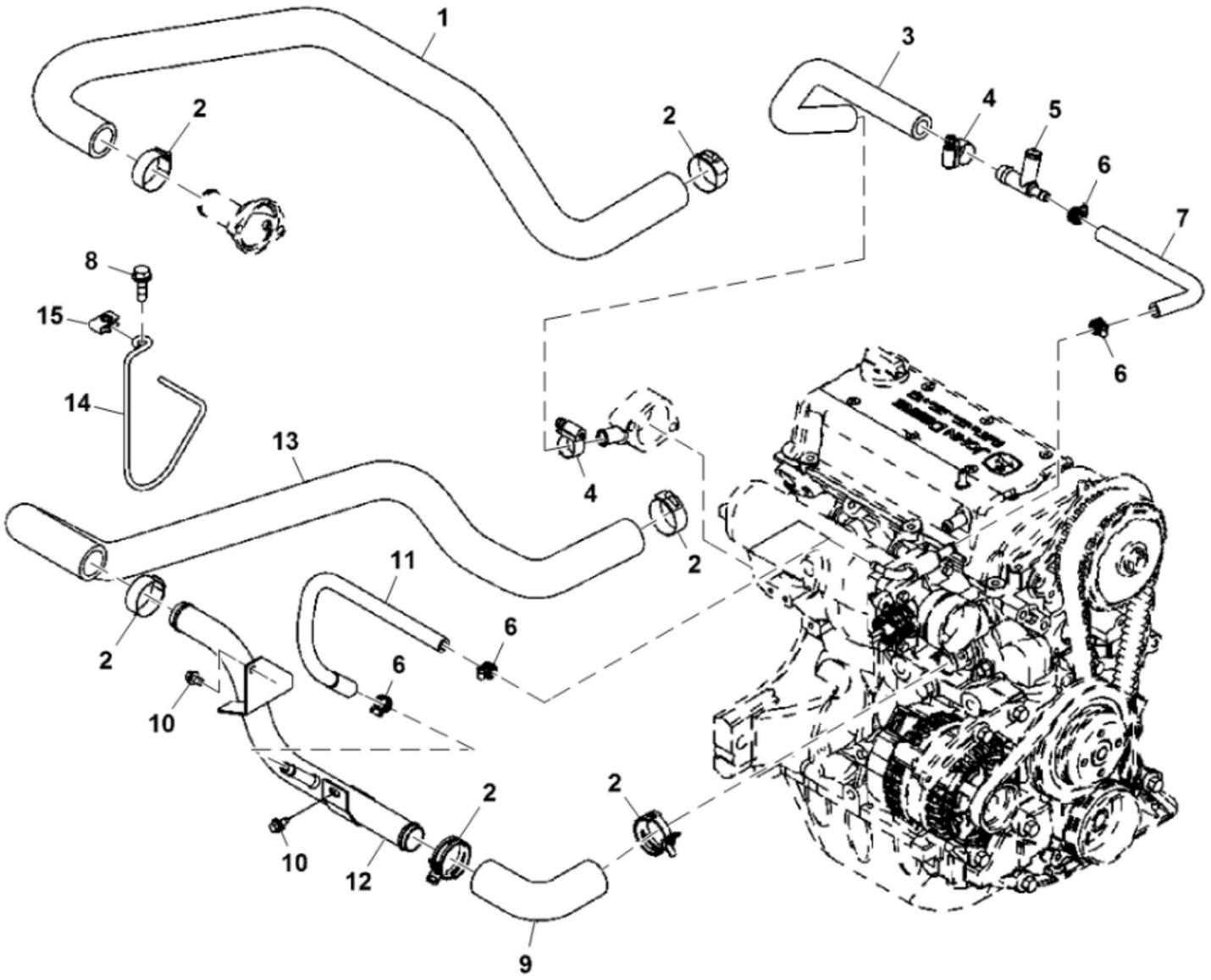
MX296835

KEY	PART NO.	PART NAME	QTY	REMARKS
1	19M8319	SCREW	2	M8 X 50
2	MIU12668	COVER	1	
3	MIA11731	THERMOSTAT	1	
4	MIU14529	ADAPTER FITTING	1	SUB FOR MIU12667
5	MIU12663	GASKET	1	
6	MIU12581	TEMPERATURE SENSOR	1	
7	MIU12661	O-RING	1	
8	MIU12666	SEAL	1	
9	MIA11730	WATER PUMP	1	
10	19M7867	SCREW	3	M8 X 25
11	MIU12664	SEAL	1	
12	19M7981	CAP SCREW	1	M8 X 55
13	MIU12659	PULLEY	1	
14	MIU12662	GASKET	1	
15	19M8402	CAP SCREW	1	M8 X 65
16	MIU12665	SEAL	1	
17	19M8317	SCREW	3	M8 X 40



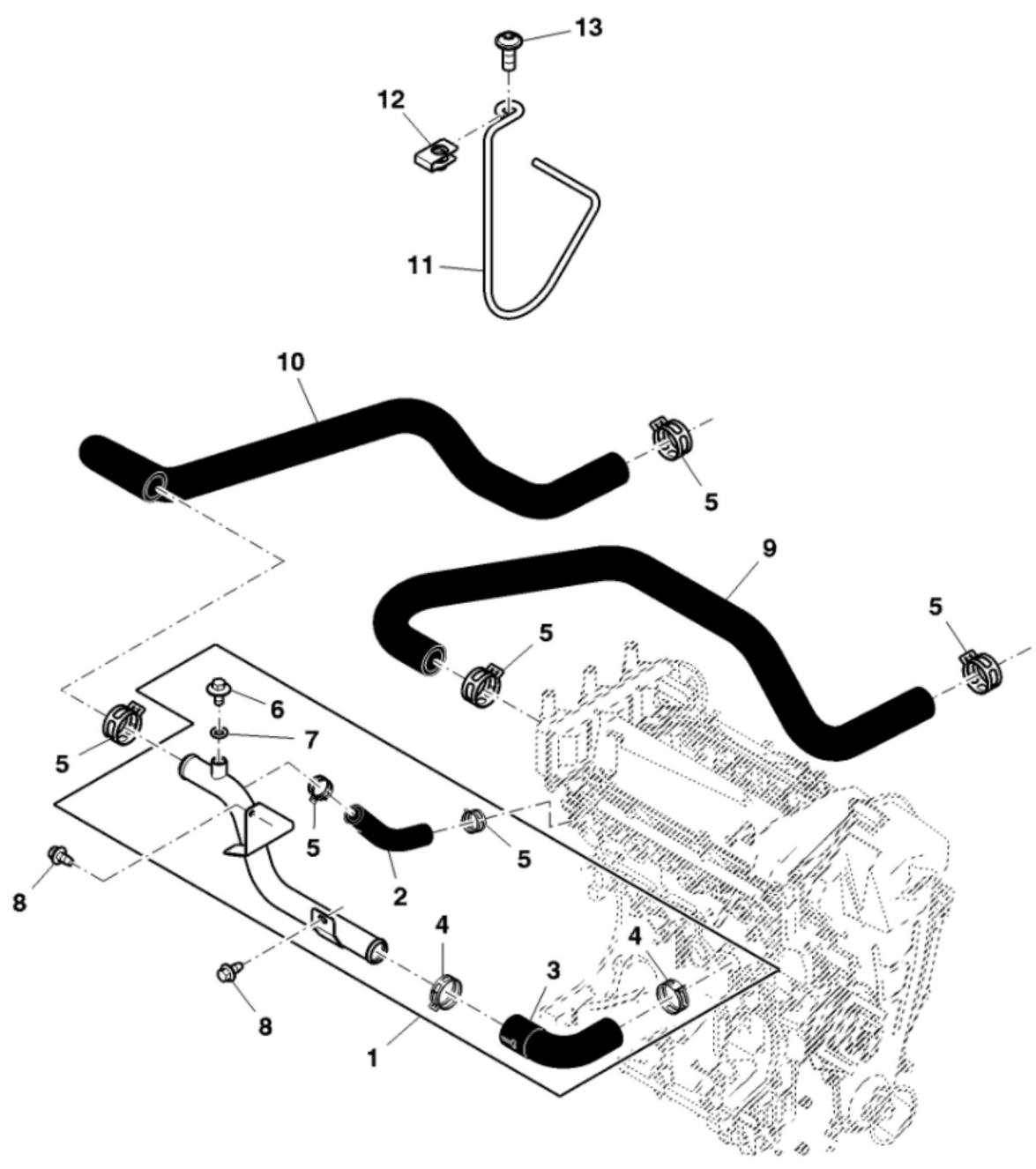
PU14624

KEY	PART NO.	PART NAME	QTY	REMARKS
1	AM138710	RADIATOR	1	W/ Plug; Soly
1	AM140614	DRAIN PLUG	1	W/ O-Ring
2	M173253	LABEL	1	SUB FOR APPL M117554
3	M802715	FILLER CAP	1	
4	M159378	ROD	1	
5	37M7463	SCREW	2	M8 X 16
6	M161498	HOSE CLAMP	1	ORDER TY22462
6	TY22462	CLAMP	1	
7	HOSE	1	CTL AR, MF TY22551
8	M177549	CAP	1	SUB FOR M159659
9	M148646	CLIP	1	
10	37H230	SCREW	1	
11	M159496	RESERVOIR	1	
12	19M7775	SCREW	5	M6 X 16
13	G000309	NUT	5	
14	AM138384	FAN	1	
15	19M7863	SCREW	4	M6 X 25
16	AM141559	RADIATOR HOSE	1	Upper
17	TY22467	CLAMP	4	
18	14M7303	FLANGE NUT	2	M6
19	T140924	CLAMP	2	
20	M112535	SPACER	2	
21	03M7290	BOLT	2	M6 X 30
22	M162821	TUBE	2	
23	AM141558	RADIATOR HOSE	1	Lower
24	R117581	GROMMET	2	ORDER M165155
24	M165155	GROMMET	2	
25	M170035	GROMMET	1	
26	M170062	BOOT	1	
27	M169850	ISOLATOR	1	
28	M156180	PLUG	1	



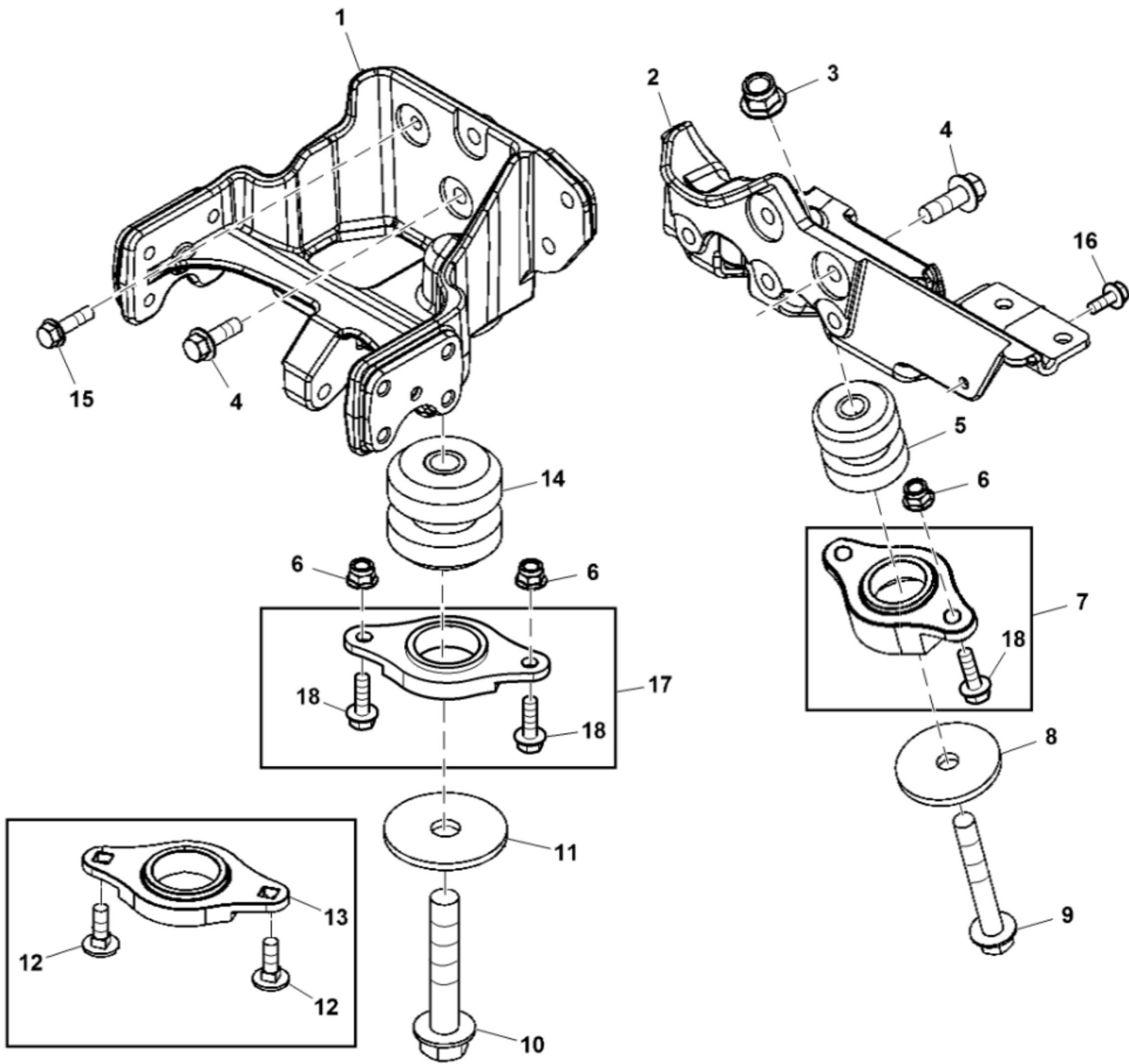
MX296836

KEY	PART NO.	PART NAME	QTY	REMARKS
1	M157832	RADIATOR HOSE	1	Outlet
2	TY22467	CLAMP	4	
3	M157887	HOSE	1	ORDER M169732; Thermostat Outlet
3	M169732	HOSE	1	
4	TY22465	CLAMP	2	
5	AM138222	BLEED VALVE	1	
6	TY22462	CLAMP	4	
7	M157888	HOSE	1	ORDER M169731
7	M169731	HOSE	1	
8	19M7867	SCREW	1	M8 X 25
9	AM141446	HOSE	1	INCLUDES (2) TY22462; SUB FOR M157890
10	37M7458	SCREW	2	M6 X 12
11	M157889	HOSE	1	
12	AM137740	COOLANT MANIFOLD	1	
13	M157833	RADIATOR HOSE	1	Inlet
14	M159272	RETAINER	1	
15	M123593	LOCK NUT	1	



PU11774

KEY	PART NO.	PART NAME	QTY	REMARKS
1	M1A12801	COOLANT MANIFOLD	1	
2	HOSE	1	MF TY22326; Bypass
3	AM1141446	HOSE	1	Elbow
4	TY22462	CLAMP	2	Hose, Elbow
5	TY22467	CLAMP	6	
6	R516181	CAP SCREW	1	
7	R520867	O-RING	1	
8	37M7458	SCREW	2	M6 X 12
9	M157832	RADIATOR HOSE	1	Output
10	M157833	RADIATOR HOSE	1	Input
11	M159272	RETAINER	1	Coolant Hose
12	M123593	LOCK NUT	1	
13	LVU17025	SCREW	1	M8 X 20



PU18847

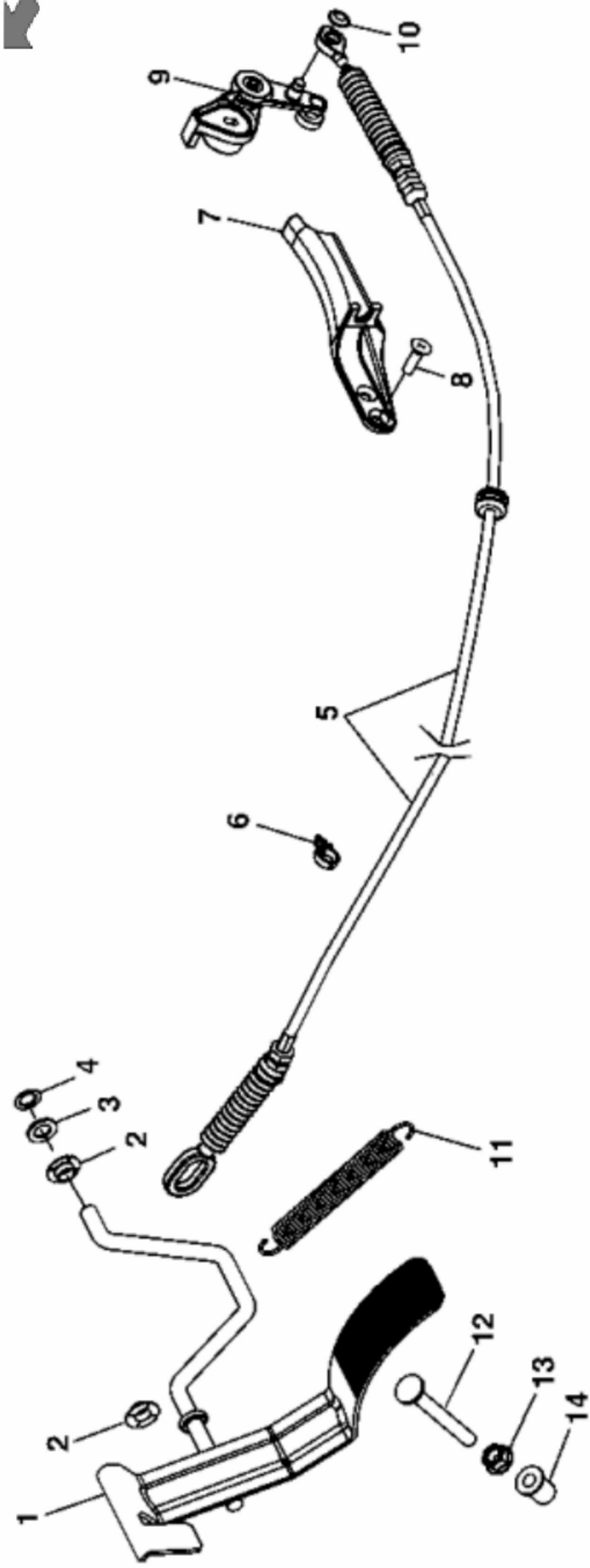
KEY	PART NO.	PART NAME	QTY	Serial No.	REMARKS
1	M159084	SUPPORT	1		Rear
2	M159086	SUPPORT	1	____-060000	ORDER M163888; Front
2	M163888	SUPPORT	1	060001-____	Front
3	14M7401	LOCK NUT	1		M12
4	H165317	BOLT	10		
5	AM141130	ISOLATOR	1		Front
6	14M7396	LOCK NUT	4		M8
7	AM143678	SUPPORT	1		Front Isolator
8	MT2550	WASHER	1		
9	19M7819	BOLT	1		
10	19M7845	BOLT	1		
11	24H1852	WASHER	1		21/32" X 2-3/4" X 0.180"
12	03M7093	BOLT	2		M8 X 25
13	M159165	SUPPORT	1		ORDER AM148238; Rear Isolator
14	AM138252	ISOLATOR	1		Rear
15	M70422	SELF-LOCKING SCREW	1		M8 X 30
16	19M7775	SCREW	1	060001-____	M6 X 16
17	AM148238	SUPPORT	1		Rear
18	19M7867	SCREW	4		M8 X 25

1



MX293451

KEY	PART NO.	PART NAME	QTY	REMARKS
1	LG270	KIT	1	(INCLUDES Filter, Oil, Oil Change Sticker And Spark Plugs - Where Applicable Actual Kit Contents May Differ From Photo) Home Maintenance



MP43238

KEY	PART NO.	PART NAME	QTY	REMARKS
1	AM141151	PEDAL	1	Accelerator Assembly
2	M143493	BUSHING	2	
3	24M7096	WASHER	1	10.500 X 18 X 1.600 mm
4	M147618	RETAINER	1	SUB FOR M77312
5	AM141666	CABLE	1	NLA; ORDER AM144986
5	AM144986	CABLE	1	
6	M117459	CLIP	1	
7	M159745	BRACKET	1	Cable Mount
8	RE515416	SCREW	2	
9	M1A13084	ARM	1	SUB FOR AM140243; Throttle
9	AM138402	BALL BEARING	1	(Not Illustrated)
10	M80082	ROUND RETAINER	1	
11	M75239	EXTENSION SPRING	1	
12	03M7258	BOLT	1	M8 X 70
13	14M7298	FLANGE NUT	1	M8
14	VG12244	NUT	1	

Please write to us.

Our email:

aservicemanualpdf@yahoo.com

**Please go to the homepage
to get the full manual, or
other brand PDF manuals.**

Home Site:

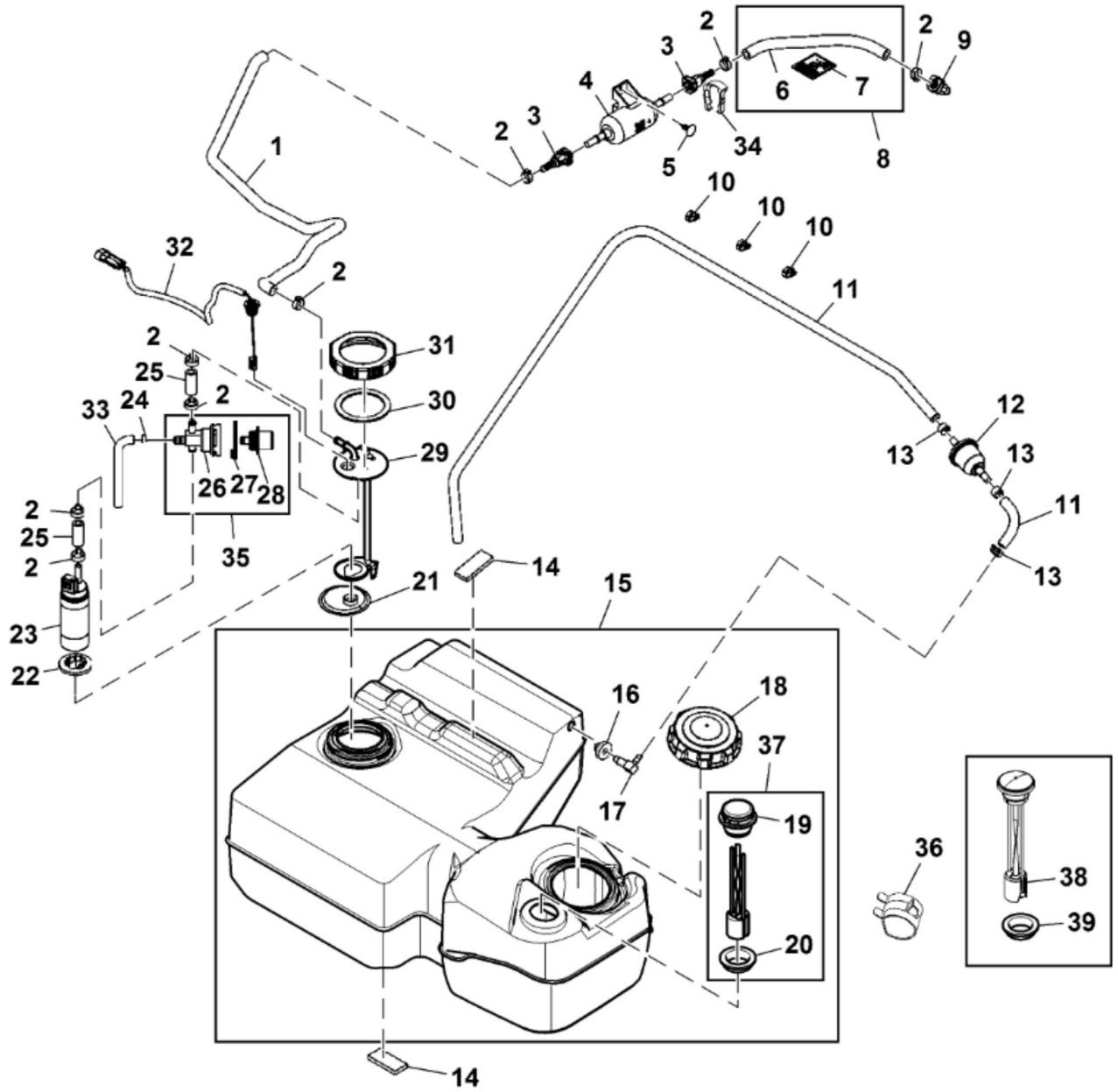
aservicemanualpdf.com

Thank you very much for your reading. Please Click Here. Then Get COMPLETE MANUAL. NO WAITING



NOTE:

If there is no response to click on the link above, please download the PDF document first and then click on it.



PU20061

KEY	PART NO.	PART NAME	QTY	REMARKS
1	HOSE	1	CTL 662 mm, MF M175326
2	M156207	HOSE CLAMP	8	
3	AM140689	FITTING	2	
4	AM117584	FUEL FILTER	1	
5	GX10571	PLUG	2	
6	HOSE	1	CTL 241 mm, MF M175326
7	LABEL	1	
8	AM147224	FUEL LINE	1	SUB FOR AM147225 OR AM140573
9	M158076	HOSE FITTING	1	
10	M117459	CLIP	3	
11	HOSE	1	MF TY22551
12	AM141445	FUEL FILTER	1	
13	R56101	CLAMP	3	
14	M138850	PAD	3	
15	AM137652	FUEL TANK	1	ORDER AM145594
15	AM145594	FUEL TANK	1	
16	M132706	BUSHING	1	
17	M80357	ELBOW FITTING	1	
18	VGA10167	FILLER CAP	1	
18	M158068	GASKET	1	
19	TCU24946	GAUGE	1	USE WITH AM145594
20	TCU22449	BUSHING	1	USE WITH AM145594
21	M161799	FUEL FILTER	1	
22	M156455	GROMMET	1	
23	AM136612	FUEL PUMP	1	ALSO ORDER M156455
24	TY22462	CLAMP	1	
25	M158072	HOSE	2	
26	M158070	HOUSING	1	
27	M158071	CLIP	1	
28	AM146133	REGULATOR	1	SUB FOR AM137056
29	AM141195	HANGER	1	ORDER AM144671
29	AM148463	HANGER	1	SUB FOR AM144671
30	M158068	GASKET	1	
31	M157443	CAP	1	
32	AM147568	WIRING HARNESS	1	ORDER AM147749; SUB FOR AM137548

KEY	PART NO.	PART NAME	QTY	REMARKS
32	AM147749	WIRING HARNESS	1	Fuel Pump
33	UC13383	HOSE	1	SUB FOR M163386; Return
34	M155197	RETAINER	1	
35	AM144042	REGULATOR	1	ORDER AM146134
35	AM146134	REGULATOR	1	Assembly
36	N194814	HOSE CLAMP	1	
37	AM145237	FUEL SENDER	1	USE WITH AM145594
38	AM143171	FUEL SENDER	1	USE WITH AM137652; SUB FOR AM136831
39	M149648	BUSHING	1	USE WITH AM137652