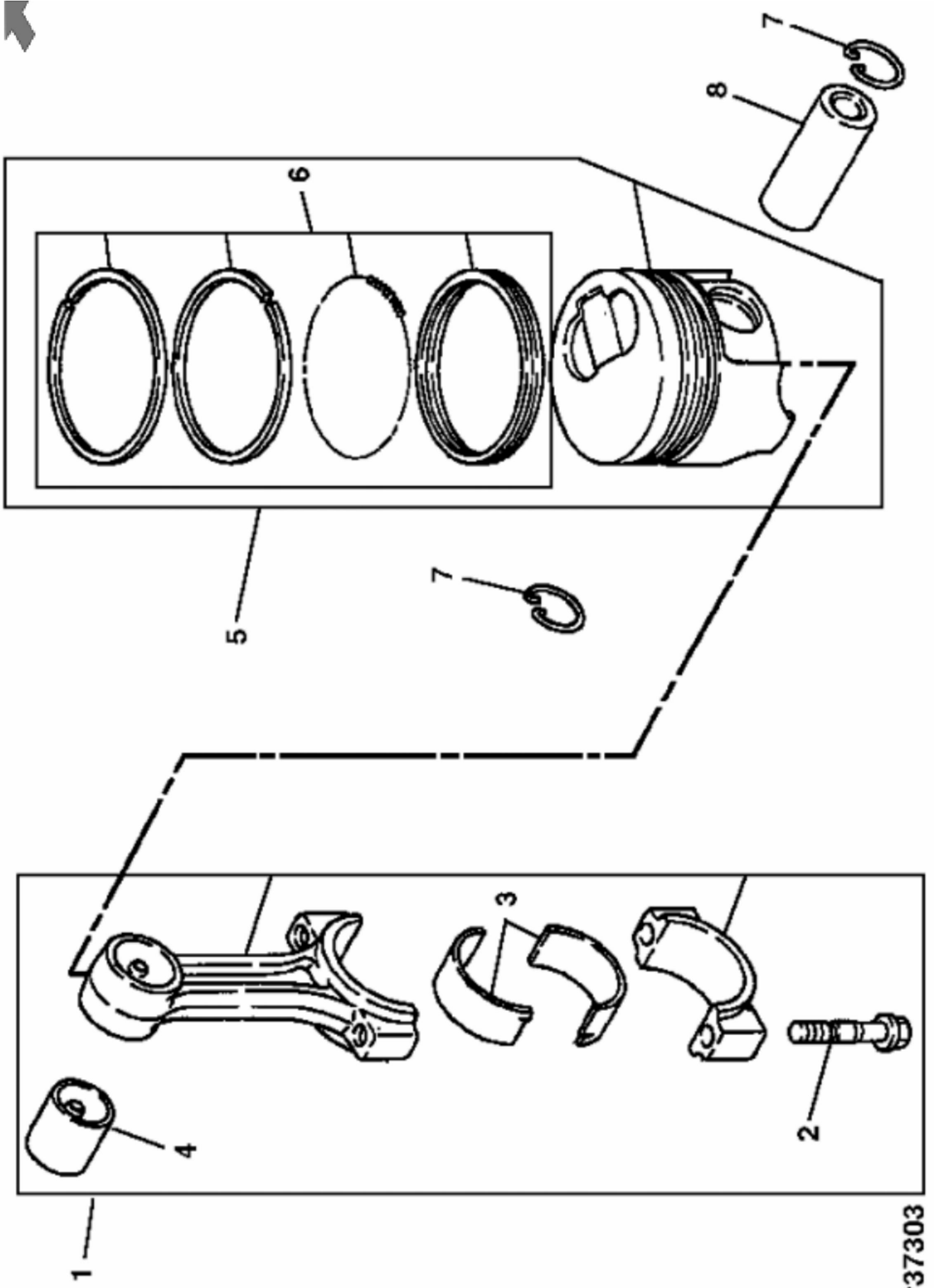


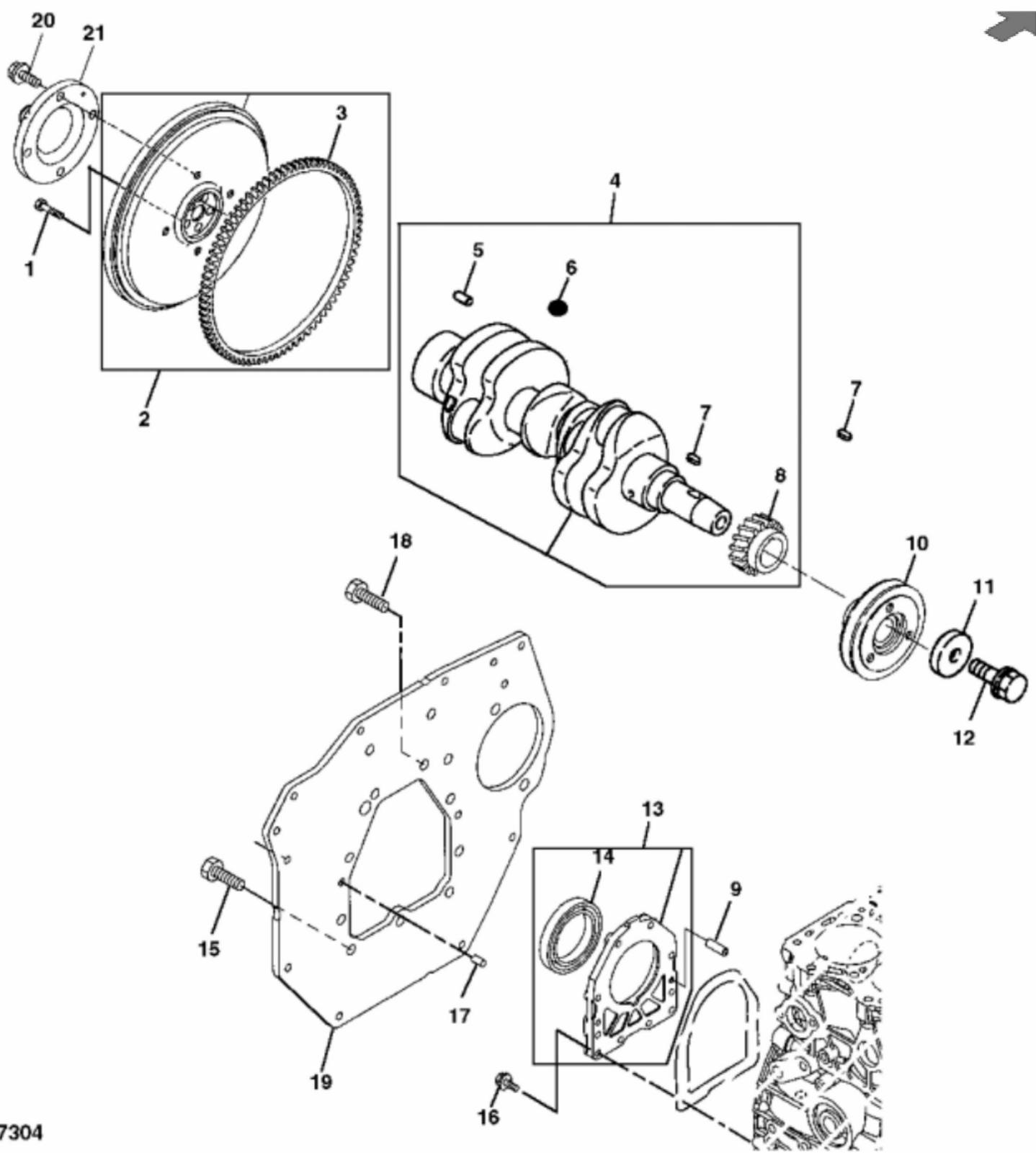
MP35109

| KEY | PART NO.  | PART NAME            | QTY | REMARKS              |
|-----|-----------|----------------------|-----|----------------------|
| 1   | MIU800287 | BOLT                 | 14  | Cylinder Head        |
| 2   | MIU800288 | GASKET               | 1   | NLA; ORDER MIU802005 |
| 2   | MIU802005 | GASKET               | 1   | Head                 |
| 3   | CH18079   | SPRING PIN           | 2   |                      |
| 4   | M811807   | PLUG                 | 3   |                      |
| 5   | .....     | CYLINDER BLOCK       | 1   |                      |
| 6   | MIU800572 | BUSHING              | 1   | Bush                 |
| 7   | M87871    | BOLT                 | 3   | 6 X 35               |
| 8   | M811882   | SHAFT                | 1   | Idle Gear            |
| 9   | M800006   | DOWEL PIN            | 2   | Pipe, Knock          |
| 10  | CH10314   | PLUG                 | 1   |                      |
| 11  | M802255   | PIN                  | 2   | 8 X 16               |
| 12  | M802254   | PIN                  | 2   | 6 X 10               |
| 13  | MIA880551 | BEARING              | 4   | Main                 |
| 13  | AM882418  | BEARING KIT          | 4   | 0.25mm US, Assembly  |
| 14  | AM882419  | BEARING KIT          | 2   | Thrust               |
| 14  | MIA880557 | BEARING              | 2   | Assembly Thrust      |
| 15  | M87801    | PLUG                 | 1   |                      |
| 16  | .....     | BEARING CAP          | 1   |                      |
| 17  | M87879    | BOLT                 | 8   | Main Bearing Cap     |
| 18  | .....     | BEARING CAP          | 3   |                      |
| 19  | MIA880295 | CYLINDER BLOCK       | 1   | Assembly             |
| 20  | M811805   | PLUG                 | 4   |                      |
| 21  | CH10335   | PLUG                 | 1   |                      |
| 22  | M809593   | PLUG                 | 1   |                      |
| ..  | MIA10852  | ENGINE               | 1   | MARKED 3TNNV70-BJUV  |
| ..  | MIA880303 | SHORT BLOCK ASSEMBLY | 1   | NLA; ORDER MIA882683 |
| ..  | MIA882683 | SHORT BLOCK ASSEMBLY | 1   |                      |



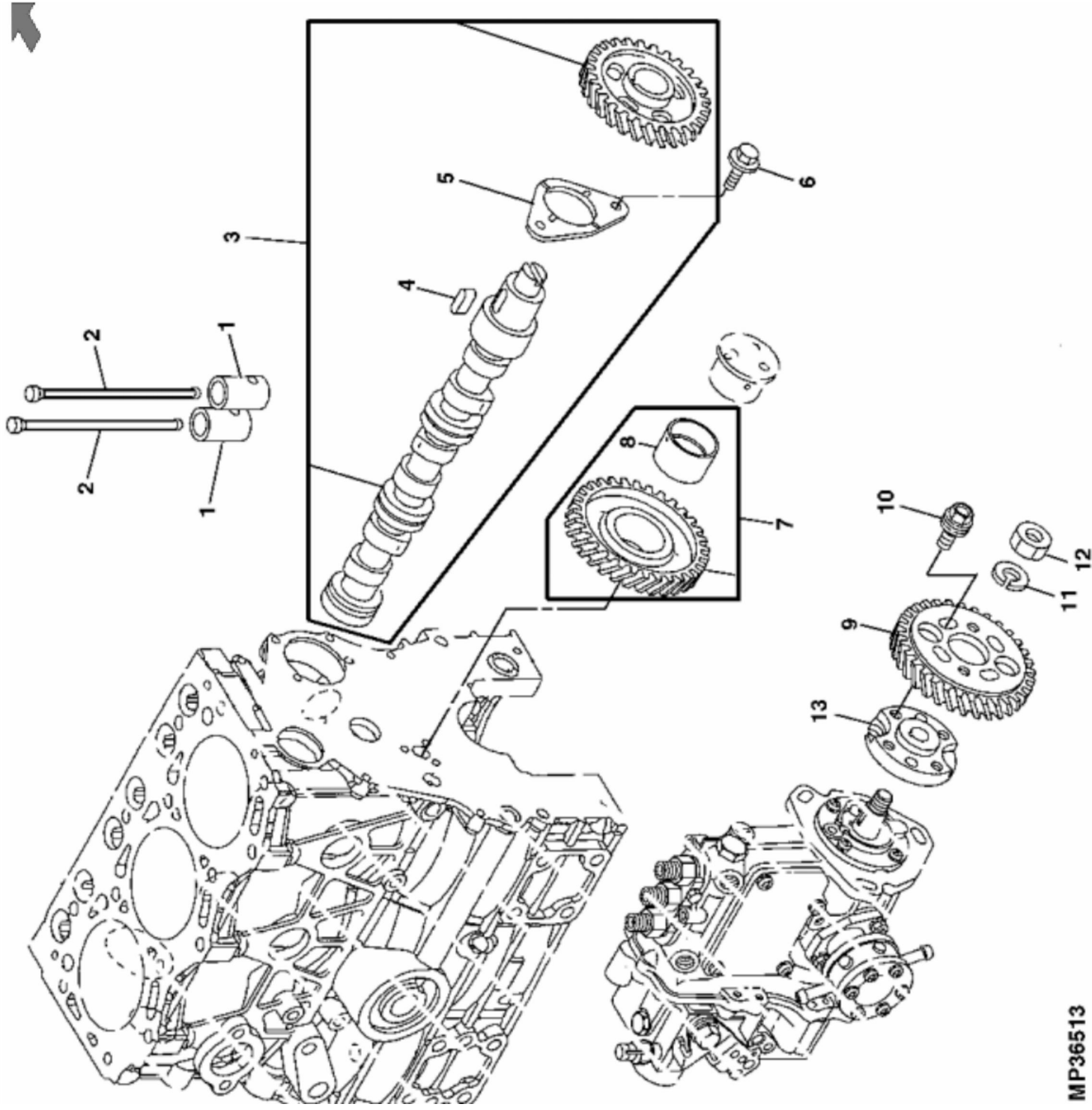
MP37303

| KEY | PART NO.  | PART NAME       | QTY | REMARKS     |
|-----|-----------|-----------------|-----|-------------|
| 1   | M1A880289 | CONNECTING ROD  | 3   | Assembly    |
| 2   | M811877   | BOLT            | 2   |             |
| 3   | M1A880560 | BEARING KIT     | 3   | STD         |
| 3   | M1A880565 | BEARING         | 3   | Crank       |
| 4   | M811880   | BUSHING         | 3   |             |
| 5   | M1A880283 | PISTON          | 3   | STD         |
| 5   | M1A880288 | PISTON          | 3   | 0.25 mm, OS |
| 6   | M1A880285 | PISTON RING KIT | 3   | STD         |
| 6   | M1A880286 | PISTON RING KIT | 3   | 0.25 mm, OS |
| 7   | CH11486   | RING            | 6   |             |
| 8   | MIU800313 | PISTON PIN      | 3   |             |



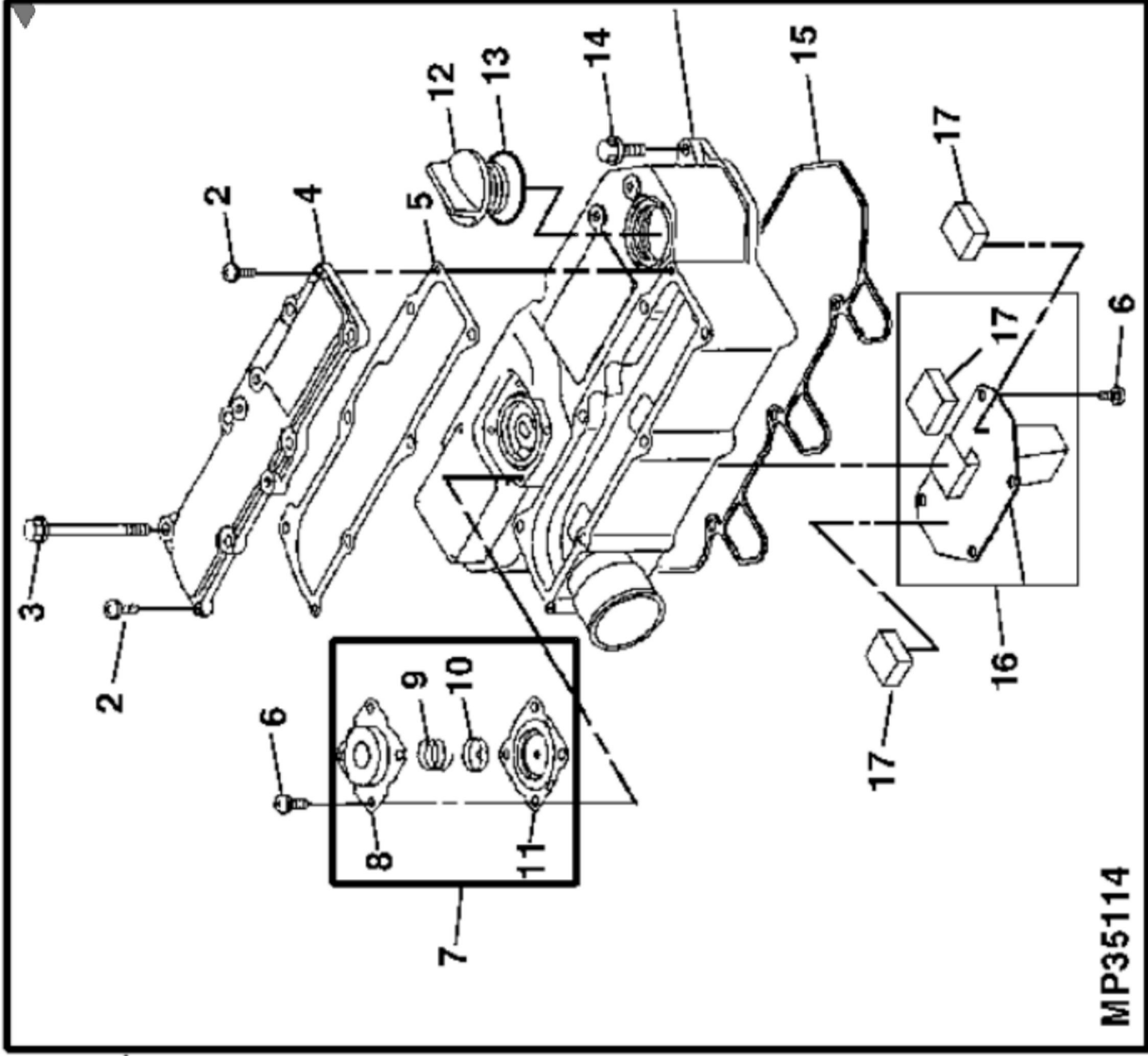
MP37304

| KEY | PART NO.  | PART NAME  | QTY | Serial No.  | REMARKS            |
|-----|-----------|------------|-----|-------------|--------------------|
| 1   | M87887    | BOLT       | 5   |             | Flywheel           |
| 2   | M1A880632 | FLYWHEEL   | 1   |             | Assembly           |
| 3   | M88025    | RING GEAR  | 1   |             |                    |
| 4   | M1A880282 | CRANKSHAFT | 1   |             | Assembly           |
| 5   | M802255   | PIN        | 1   |             | 8 X 16             |
| 6   | 400R      | BALL       | 1   |             |                    |
| 7   | M87812    | SHAFT KEY  | 1   |             | 4 X 12             |
| 8   | M811864   | GEAR       | 1   |             | Crankshaft         |
| 9   | M802254   | PIN        | 2   |             | 6 X 10             |
| 10  | MTU800069 | PULLEY     | 1   |             | V-Pulley           |
| 11  | M800308   | WASHER     | 1   |             |                    |
| 12  | M800075   | BOLT       | 1   | ____-080000 |                    |
| 12  | MTU801499 | BOLT       | 1   | 080001-____ |                    |
| 13  | M1A880302 | HOUSING    | 1   |             | Assembly, Oil Seal |
| 14  | MTU800347 | SEAL       | 1   |             | Wheel Side         |
| 15  | 19M7402   | CAP SCREW  | 3   |             | M10 X 25           |
| 16  | M87826    | BOLT       | 10  |             | 6 X 22             |
| 17  | M802255   | PIN        | 2   |             | 8 X 16             |
| 18  | M800011   | BOLT       | 9   |             | 10 X 20            |
| 19  | MTU800328 | FLANGE     | 1   |             | Mounting           |
| 20  | 19M7402   | CAP SCREW  | 4   |             | M10 X 25           |
| 21  | MTU800331 | SHAFT      | 1   |             |                    |



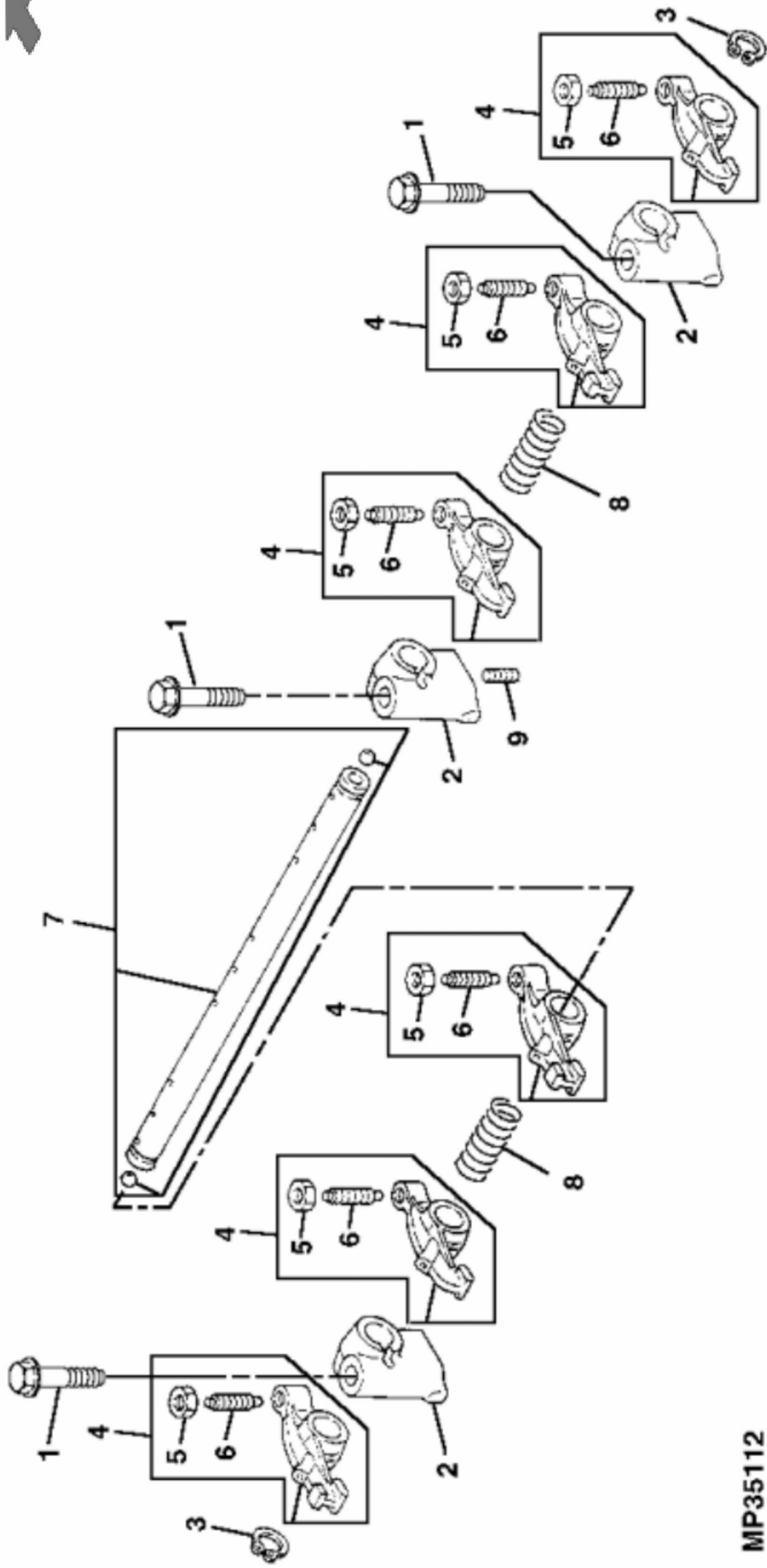
| KEY | PART NO.  | PART NAME   | QTY | REMARKS       |
|-----|-----------|-------------|-----|---------------|
| 1   | M87813    | TAPPET      | 6   |               |
| 2   | MIU800308 | PUSH ROD    | 6   |               |
| 3   | MIA880536 | CAMSHAFT    | 1   | Assembly      |
| 4   | M87812    | SHAFT KEY   | 1   | 4 X 12        |
| 5   | M87810    | FLANGE      | 1   | Thrust        |
| 6   | 19M7774   | SCREW       | 2   | M6 X 12       |
| 7   | MIA880570 | IDLER GEAR  | 1   | Assembly      |
| 8   | MIU800598 | BUSHING     | 1   | Bush          |
| 9   | M811884   | GEAR        | 1   | Pump          |
| 10  | .....     | BOLT        | 4   |               |
| 11  | 12M7067   | LOCK WASHER | 1   | 12 mm, Spring |
| 12  | 14M7275   | NUT         | 1   | M12           |
| 13  | .....     | FLANGE      | 1   |               |





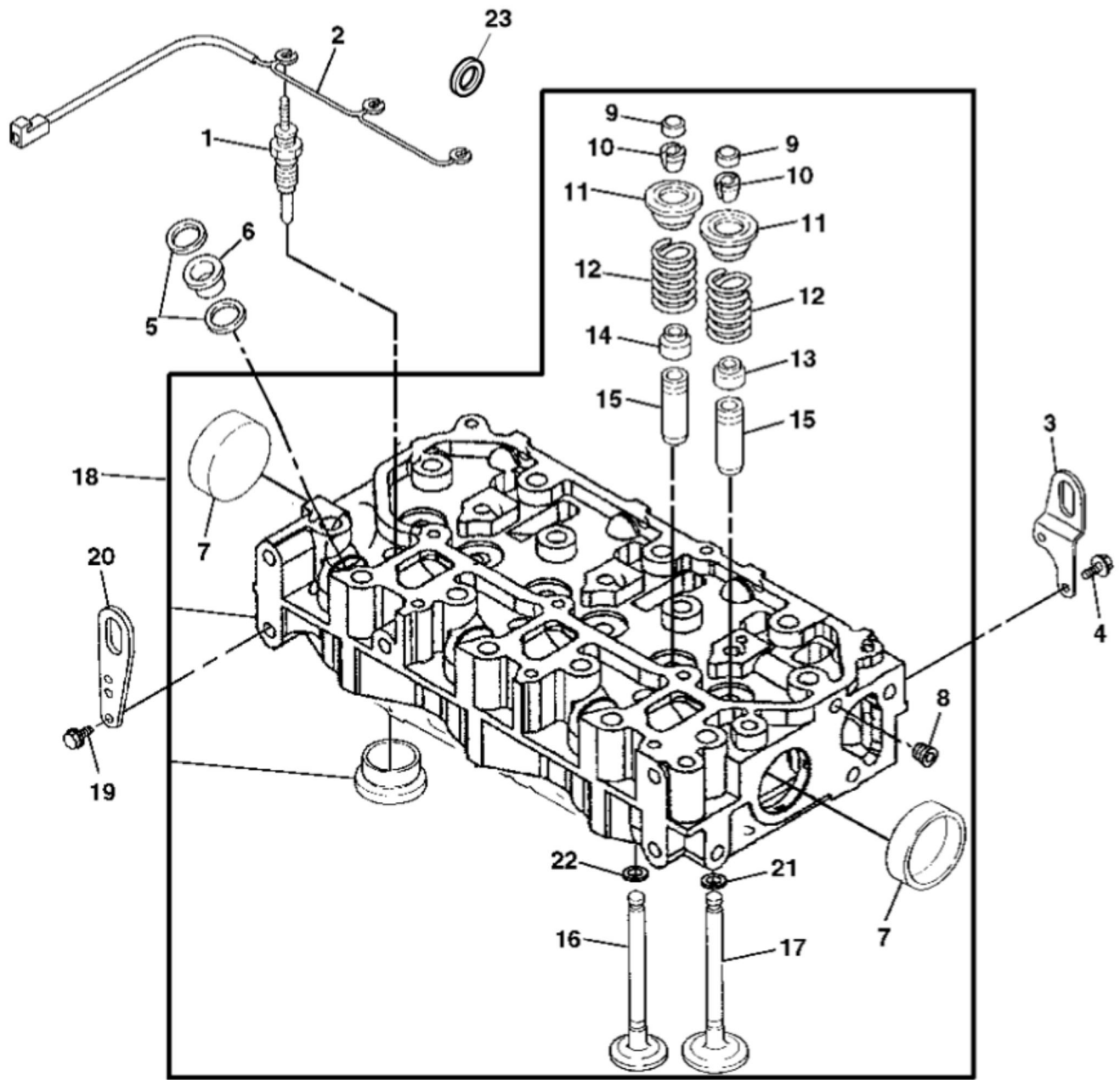
MP35114

| KEY | PART NO.  | PART NAME   | QTY | REMARKS               |
|-----|-----------|-------------|-----|-----------------------|
| 1   | M1A880279 | VALVE COVER | 1   | Bonnet Assembly, Head |
| 2   | M811981   | SCREW       | 2   |                       |
| 3   | M800100   | BOLT        | 6   | M6 X 75               |
| 4   | MIU800301 | COVER       | 1   | Bonnet                |
| 5   | MIU800302 | GASKET      | 1   | Baffle                |
| 6   | M807374   | SCREW       | 8   |                       |
| 7   | AM882461  | DIAPHRAGM   | 1   | Assembly              |
| 8   | M811649   | COVER       | 1   | Diaphragm             |
| 9   | M811650   | SPRING      | 1   | Diaphragm             |
| 10  | M811046   | PLATE       | 1   | Diaphragm             |
| 11  | M811958   | DIAPHRAGM   | 1   |                       |
| 12  | M805710   | CAP         | 1   | Oil Fill              |
| 13  | M805711   | PACKING     | 1   |                       |
| 14  | 19M7862   | SCREW       | 3   | M6 X 20               |
| 15  | MIU800300 | GASKET      | 1   | Bonnet                |
| 16  | M811835   | PLATE       | 1   | Baffle                |
| 17  | M811836   | DEFLECTOR   | 3   | Baffle, Breather      |



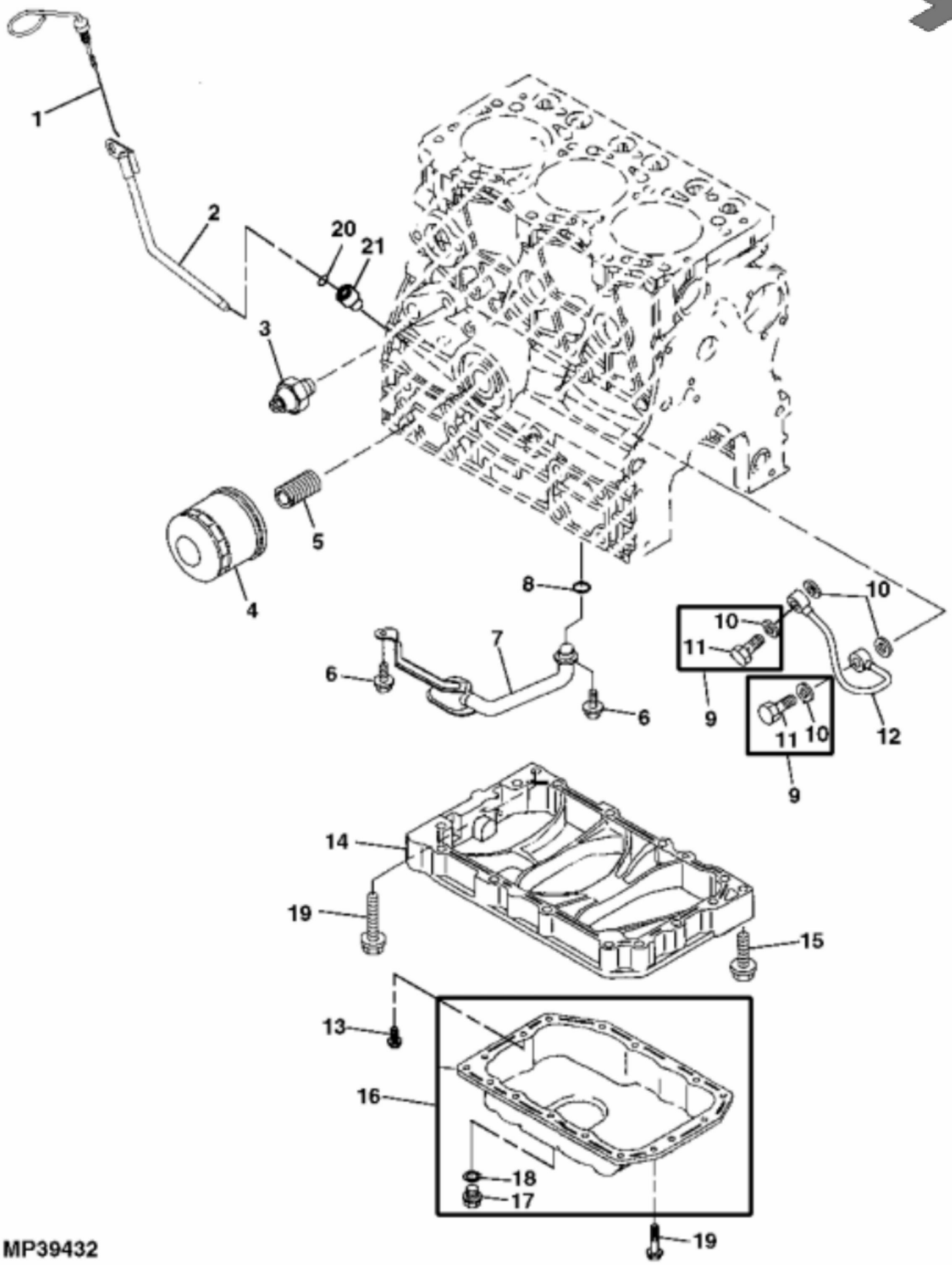
MP35112

| KEY | PART NO.  | PART NAME        | QTY | REMARKS   |
|-----|-----------|------------------|-----|-----------|
| 1   | 19M8317   | SCREW            | 3   | M8 X 40   |
| 2   | M811846   | SUPPORT          | 3   |           |
| 3   | M87818    | SNAP RING        | 2   | Retaining |
| 4   | AM882423  | ROCKER ARM       | 6   | Assembly  |
| 5   | M801028   | NIUT             | 1   | Adjust    |
| 6   | M801027   | SCREW            | 1   | Adjust    |
| 7   | M1A880278 | ROCKER ARM SHAFT | 1   |           |
| 8   | MIU800298 | SPRING           | 2   | Shaft     |
| 9   | M87893    | SCREW            | 1   | 5 X 16 mm |



PU10014

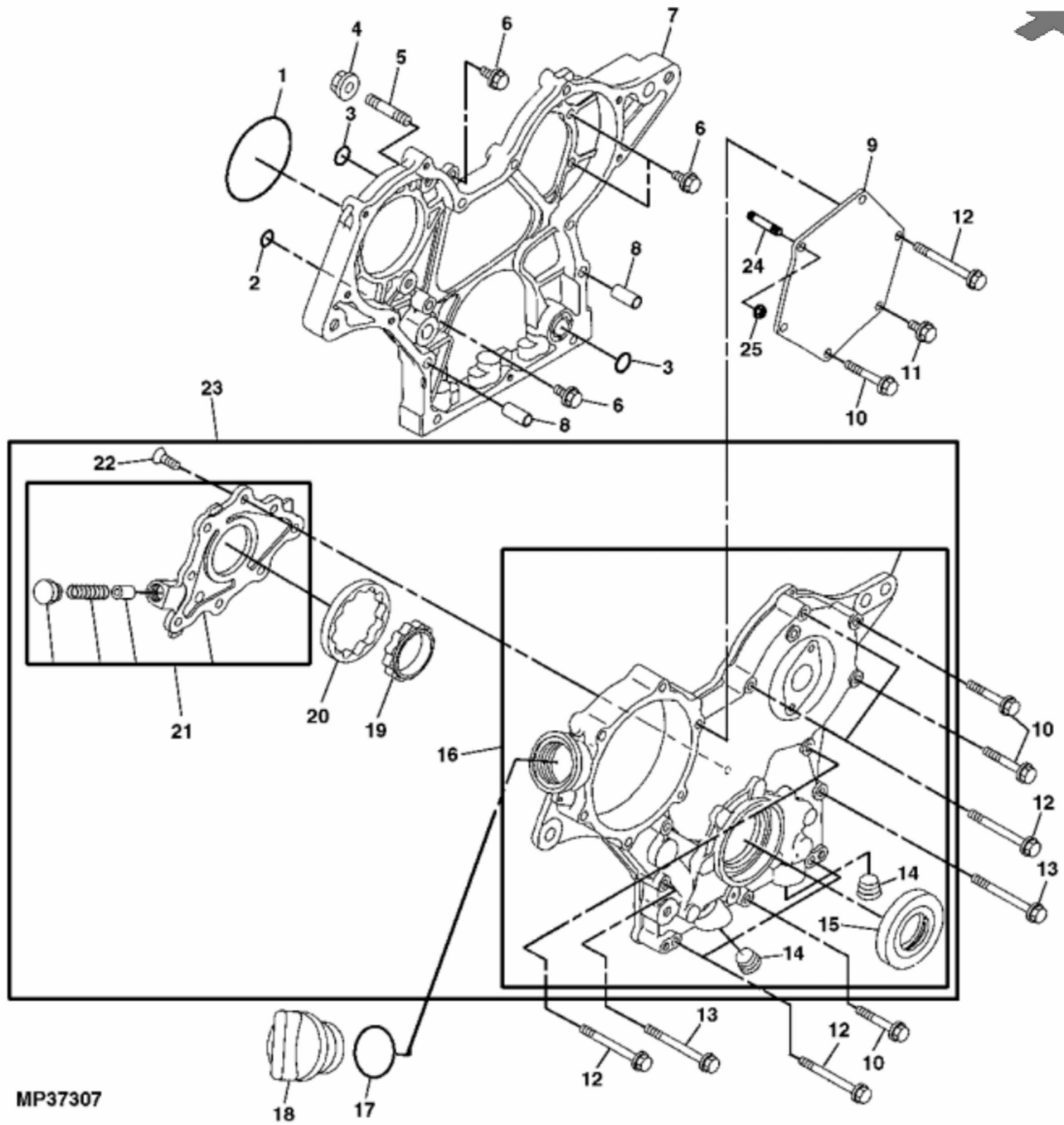
| KEY | PART NO.  | PART NAME                | QTY | REMARKS           |
|-----|-----------|--------------------------|-----|-------------------|
| 1   | M811937   | GLOW PLUG                | 3   | ORDER MIU802457   |
| 1   | MIU802457 | GLOW PLUG                | 3   |                   |
| 2   | M811938   | ELEC. CONNECTOR TERMINAL | 1   | Glow Plug         |
| 3   | MIU800340 | BRACKET                  | 1   | Lifter, Engine    |
| 4   | CH19780   | BOLT                     | 2   |                   |
| 5   | M89135    | GASKET                   | 6   | Nozzle            |
| 6   | M811967   | SHIELD                   | 3   | Protector, Nozzle |
| 7   | M811808   | PLUG                     | 2   |                   |
| 8   | M808706   | PLUG                     | 1   |                   |
| 9   | M811804   | CAP                      | 6   | Valve             |
| 10  | M811844   | RETAINER                 | 12  | Cotter, Valve     |
| 11  | M811966   | RETAINER                 | 6   | Retainer, Spring  |
| 12  | M811842   | SPRING                   | 6   | Valve             |
| 13  | M811850   | SEAL                     | 3   | Intake            |
| 14  | M811851   | SEAL                     | 3   | Exhaust           |
| 15  | MIU800305 | GUIDE                    | 6   | Guide Service     |
| 16  | MIU800295 | EXHAUST VALVE            | 3   |                   |
| 17  | MIU800610 | INTAKE VALVE             | 3   |                   |
| 18  | MIA880280 | CYLINDER HEAD            | 1   | Assembly          |
| 19  | 19M7865   | SCREW                    | 2   | M8 X 16           |
| 20  | M811037   | BRACKET                  | 1   | Lifter, Engine    |
| 21  | MIU800292 | VALVE SEAT               | 3   |                   |
| 22  | MIU800293 | VALVE SEAT               | 3   |                   |
| 23  | 24M7207   | WASHER                   | 4   | 8.400 X 24 X 2 mm |



MP39432

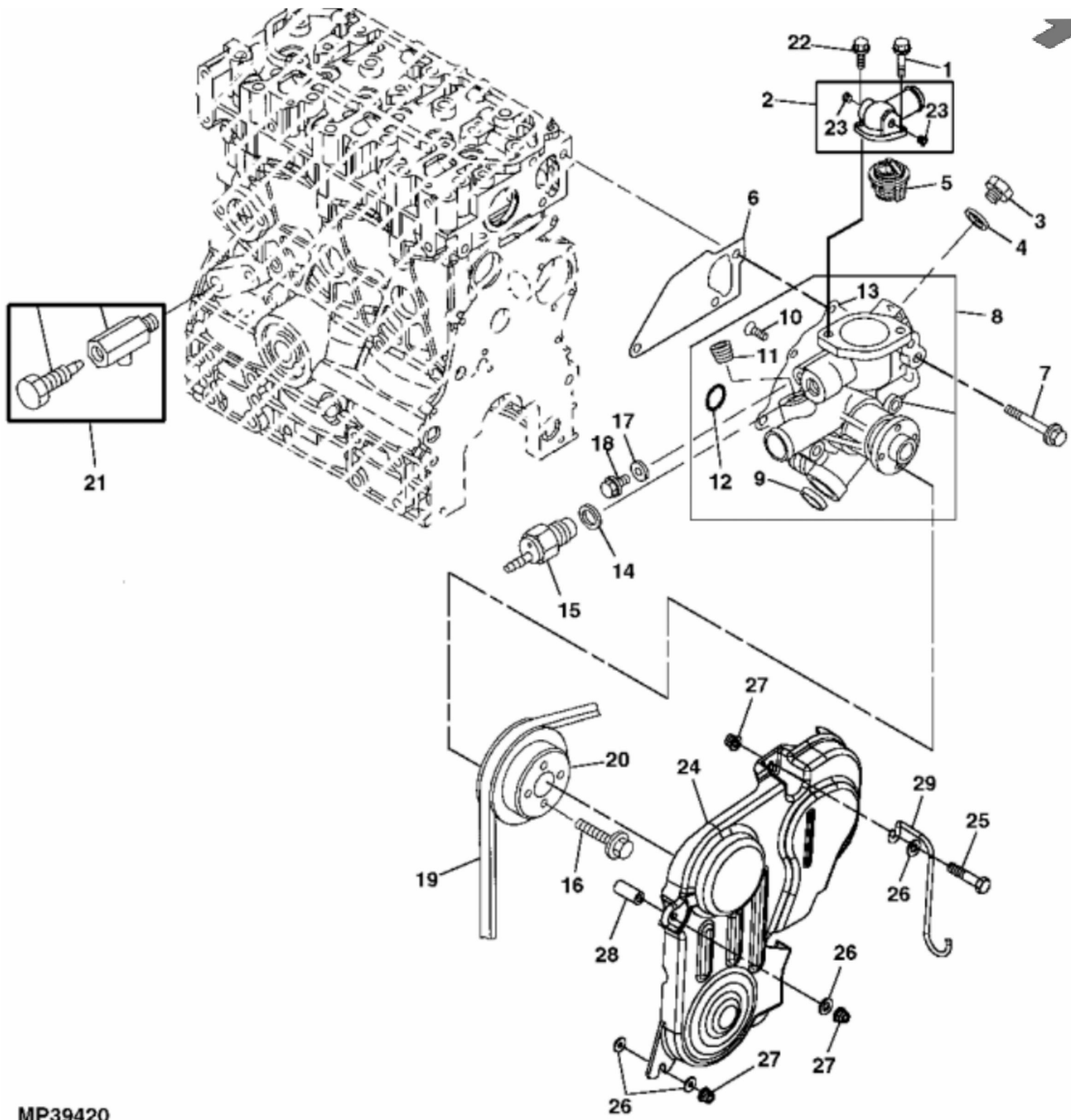
| KEY | PART NO.  | PART NAME    | QTY | Serial No. | REMARKS              |
|-----|-----------|--------------|-----|------------|----------------------|
| 1   | MTU800674 | DIPSTICK     | 1   |            |                      |
| 2   | MTU800675 | GUIDE        | 1   |            | Dipstick             |
| 3   | M809526   | SWITCH       | 1   |            | Oil Pressure         |
| 4   | M806418   | OIL FILTER   | 1   |            |                      |
| 5   | MTU801676 | STUD         | 1   |            | SUB FOR APPL T110711 |
| 5   | T110711   | STUD         | 1   |            |                      |
| 6   | 19M7300   | CAP SCREW    | 2   |            | M6 X 10              |
| 7   | M1A880297 | PIPE         | 1   |            | Oil Suction          |
| 8   | M811886   | O-RING       | 1   |            |                      |
| 9   | AM881809  | BOLT         | 2   |            |                      |
| 10  | M803523   | WASHER       | 4   |            |                      |
| 11  | CH16843   | HOLLOW SCREW | 1   |            |                      |
| 12  | M811892   | PIPE         | 1   |            | Hydraulic Assembly   |
| 13  | 19M7774   | SCREW        | 1   |            | M6 X 12              |
| 14  | MTU800290 | SPACER       | 1   |            | Oil Sump             |
| 15  | M87869    | BOLT         | 1   |            | 6 X 25               |
| 16  | M1A880523 | RESERVOIR    | 1   |            |                      |
| 17  | T111565   | PLUG         | 1   |            | Drain                |
| 18  | M811568   | WASHER       | 1   |            | Seal                 |
| 19  | M87878    | BOLT         | 17  |            | 6 X 45               |
| 20  | CH10571   | PACKING      | 1   |            | ____-080000          |
| 20  | MTU801479 | PACKING      | 1   |            | 080001-____          |
| 21  | M89143    | GUIDE        | 1   |            | Dipstick             |





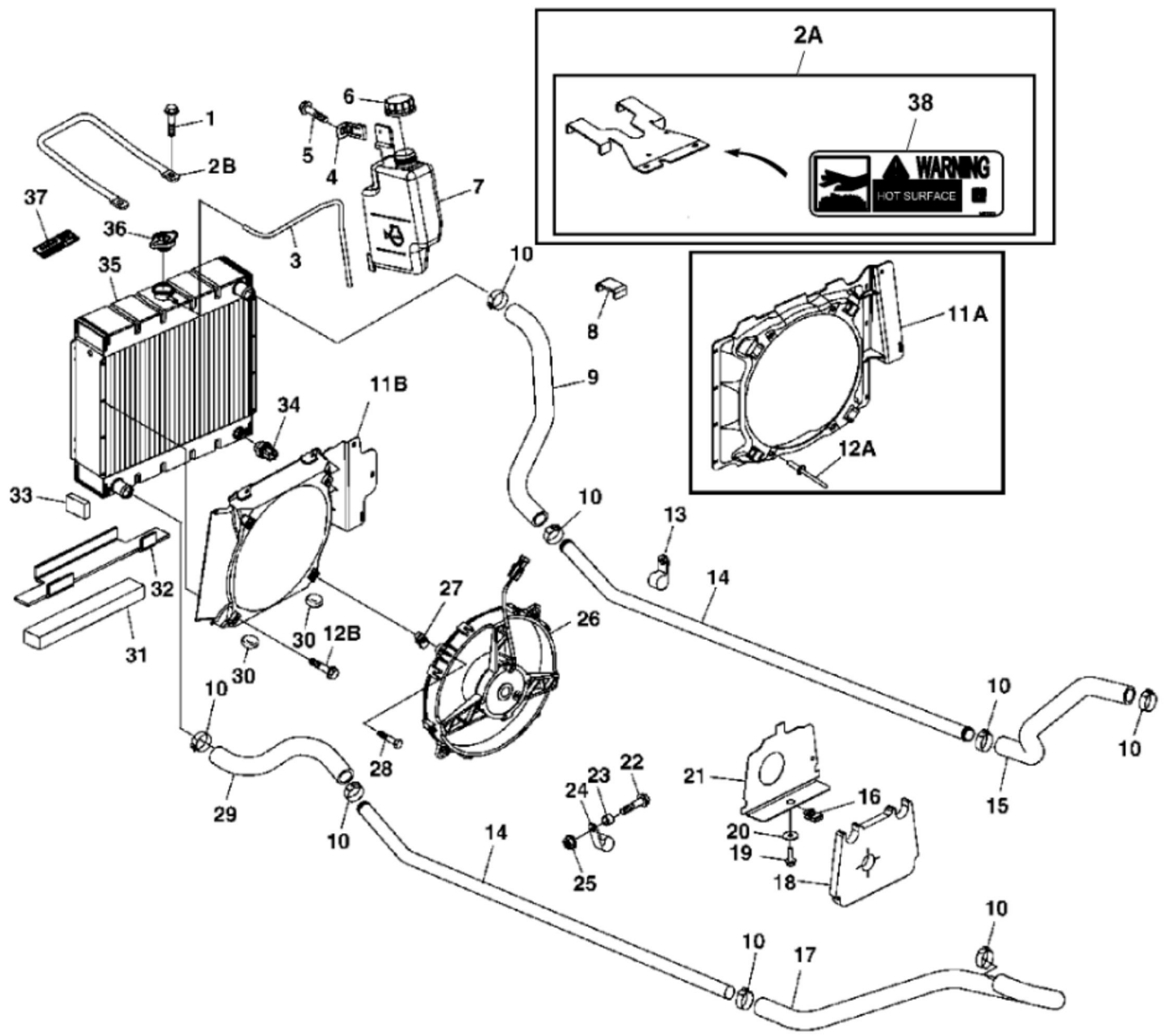
MP37307

| KEY | PART NO.  | PART NAME  | QTY | REMARKS            |
|-----|-----------|------------|-----|--------------------|
| 1   | CH16940   | O-RING     | 1   |                    |
| 2   | M809204   | O-RING     | 1   |                    |
| 3   | M811885   | O-RING     | 3   |                    |
| 4   | 14M7298   | FLANGE NUT | 3   | M8                 |
| 5   | M811820   | STUD       | 3   |                    |
| 6   | 19M7775   | SCREW      | 4   | M6 X 16            |
| 7   | M811816   | GEAR CASE  | 1   |                    |
| 8   | M800006   | DOWEL PIN  | 2   | Pipe, Knock        |
| 9   | M811823   | COVER      | 1   | Pump Timing        |
| 10  | M800008   | BOLT       | 7   | 6 X 40             |
| 11  | 19M7774   | SCREW      | 1   | M6 X 12            |
| 12  | M89120    | BOLT       | 7   | M6 X 60            |
| 13  | M800065   | BOLT       | 2   | M6 X 65            |
| 14  | M806938   | PLUG       | 2   |                    |
| 15  | M811563   | SEAL       | 1   | Oil                |
| 16  | AM882469  | COVER      | 1   | Gear Case Assembly |
| 17  | M805711   | PACKING    | 1   |                    |
| 18  | M805710   | CAP        | 1   | Oil Fill           |
| 19  | M811888   | ROTOR      | 1   | Inner              |
| 20  | M811889   | ROTOR      | 1   | Outer              |
| 21  | AM882435  | COVER      | 1   | Oil Pump Assembly  |
| 22  | M811061   | SCREW      | 8   | M6 X 16            |
| 23  | AM882445  | COVER      | 1   | Gear Case Assembly |
| 24  | MTU800281 | STUD       | 3   | M6 X 95            |
| 25  | 14M7303   | FLANGE NUT | 3   | M6                 |



MP39420

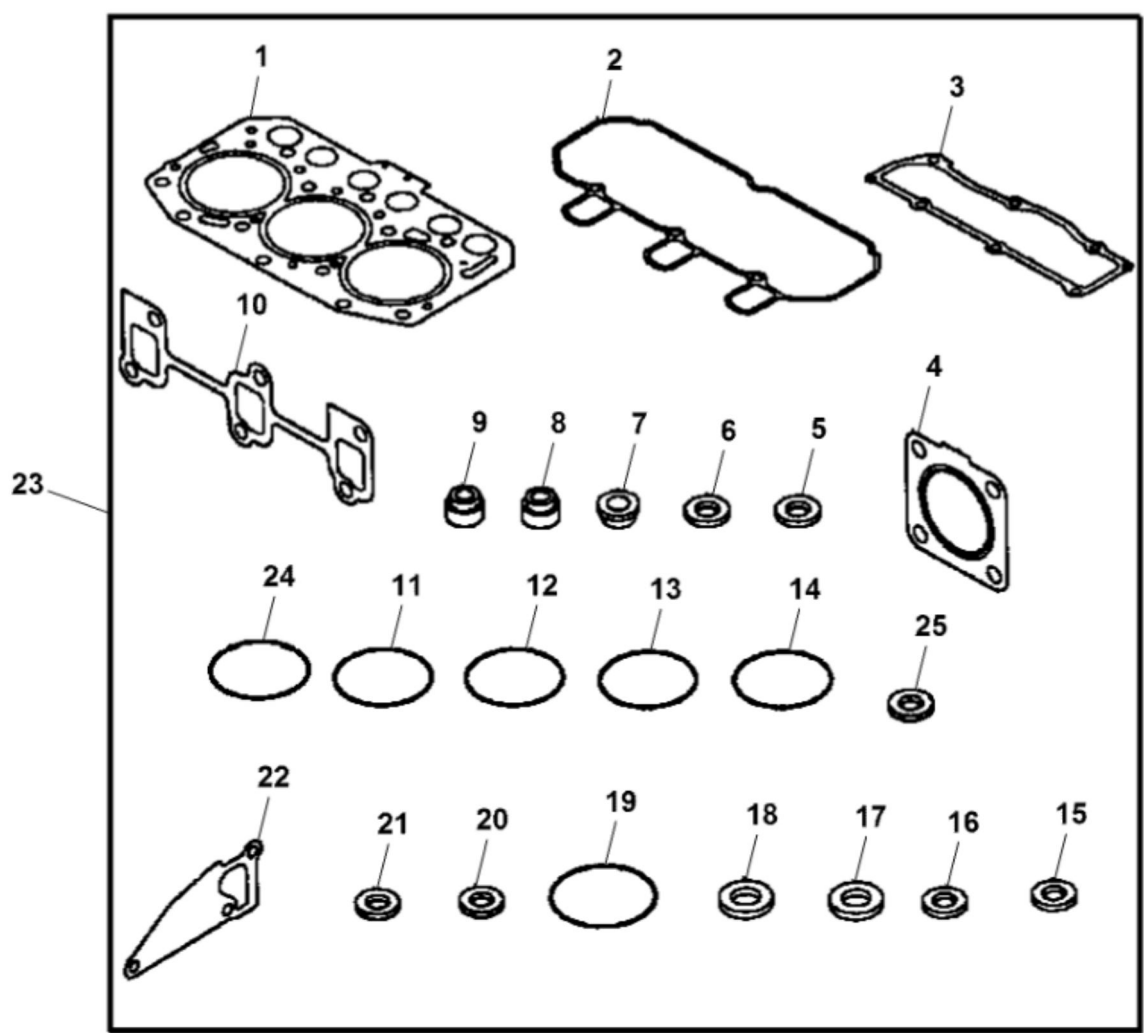
| KEY | PART NO.  | PART NAME    | QTY | REMARKS   |
|-----|-----------|--------------|-----|---|
| 1   | 19M7868   | SCREW        | 1   | M8 X 30   |
| 2   | MIA880301 | COVER        | 1   |   |
| 3   | M800312   | PLUG         | 1   |   |
| 4   | CH13814   | WASHER       | 1   |   |
| 5   | M811895   | THERMOSTAT   | 1   | 71C/160F, STD                                       |
| 6   | MIU800322 | GASKET       | 1   | Water Pump  |
| 7   | 19M7800   | SCREW        | 3   | M8 X 50   |
| 8   | MIA880292 | WATER PUMP   | 1   | NLA; ORDER MIA882092; ALSO INCLUDES MIU800071; Back |
| 8   | MIA882092 | WATER PUMP   | 1   | Plate Gasket  |
| 9   | CH17101   | PLUG         | 1   | Assembly  |
| 10  | M800087   | SCREW        | 5   |   |
| 11  | .....     | PLUG         | 1   |   |
| 12  | MIU800050 | O-RING       | 1   |   |
| 12  | MIU802236 | O-RING       | 1   | SUB FOR MIU800050                                   |
| 13  | MIU800323 | COVER        | 1   | Water Pump  |
| 13  | MIU800071 | WATER PUMP   | 1   |   |
| 14  | CH13814   | WASHER       | 1   | Gasket  |
| 15  | CH15516   | SWITCH       | 1   | Water Temperature                                   |
| 16  | 19M7774   | SCREW        | 4   | M6 X 12   |
| 17  | CH10554   | PACKING      | 1   | Gasket  |
| 18  | 19M7864   | SCREW        | 1   | M8 X 12   |
| 19  | MIU800679 | V-BELT       | 1   |   |
| 20  | MIU800678 | PULLEY       | 1   |   |
| 21  | AM100800  | DRAIN VALVE  | 1   | Cock Assembly                                       |
| 22  | 19M7866   | SCREW        | 1   | M8 X 20   |
| 23  | MIU800282 | PLUG         | 2   |   |
| 24  | M156021   | SHIELD       | 1   |   |
| 25  | 19M7833   | SCREW        | 1   | M6 X 35, Flanged                                    |
| 26  | 24M7139   | WASHER       | 6   | 6.400 X 18 X 1.600 mm                               |
| 27  | 14M7397   | LOCK NUT     | 4   | M6  |
| 28  | M110961   | SPACER       | 1   | Sector Stop   |
| 29  | M175289   | HOSE SUPPORT | 1   | SUB FOR M156022; Coolant Line                       |



PU14791

| KEY | PART NO. | PART NAME     | QTY | Serial No.    | REMARKS                          |
|-----|----------|---------------|-----|---------------|----------------------------------|
| 1   | 37M7058  | SCREW         | 2   |               | M8 X 20                          |
| 2A  | AM136846 | BRACKET       | 1   | ____-020626   | Radiator Mount W/ Label          |
| 2A  | AM137865 | BRACKET       | 1   | 020627-080000 | Radiator Mount W/ Label          |
| 2B  | M159378  | ROD           | 1   | 080001-____   | (F) Radiator Retaining           |
| 3   | .....    | HOSE          | 1   |               | MAKE FROM TY22551                |
| 4   | M148646  | CLIP          | 1   |               | Clip                             |
| 5   | 37H230   | SCREW         | 1   |               |                                  |
| 6   | M76176   | CAP           | 1   | ____-080000   |                                  |
| 6   | M177549  | CAP           | 1   | 080001-____   | SUB FOR M159659                  |
| 7   | M148645  | RESERVOIR     | 1   | ____-020626   | Mounts On Front Of Shroud        |
| 7   | M148645  | RESERVOIR     | 1   | 020627-____   | Mounts On Rear Of Shroud         |
| 8   | M152290  | ISOLATOR      | 2   | ____-020626   | (B), Top Foam                    |
| 8   | M158462  | ISOLATOR      | 2   | 020627-080000 | (C), (D), Top Foam               |
| 9   | AM141559 | RADIATOR HOSE | 1   |               | SUB FOR VG10208; Inlet W/ CLAMPS |
| 10  | TY22467  | CLAMP         | 8   |               |                                  |
| 11A | VG12275  | SHROUD        | 1   |               | NLA; ORDER AM138711 AND AM138593 |
| 11B | .....    | SHROUD        | 1   |               | NLA; ORDER AM138711 AND AM138593 |
| 12A | M67899   | RIVET         | 8   | ____-080000   | (B), (C), (D)                    |
| 12B | 19M7775  | SCREW         | 4   | 080001-____   | M6 X 16                          |
| 13  | T140924  | CLAMP         | 1   |               | Coated                           |
| 14  | VG10216  | TUBE          | 2   |               | Coolant Inlet                    |
| 15  | M156031  | HOSE          | 1   |               | ORDER M170157; Outlet            |
| 15  | M170157  | RADIATOR HOSE | 1   |               | Outlet                           |
| 16  | M84972   | NUT           | 1   |               |                                  |
| 17  | M156030  | HOSE          | 1   |               | NLA; ORDER M159036               |
| 17  | M159036  | RADIATOR HOSE | 1   |               | ORDER M170152; Inlet             |
| 17  | M170152  | RADIATOR HOSE | 1   |               | Inlet                            |
| 18  | .....    | GASKET        | 1   |               | (A)                              |
| 19  | 19M7862  | BOLT          | 1   |               |                                  |
| 20  | 24M7100  | WASHER        | 1   |               | 6.600 X 22 X 2 mm                |
| 21  | .....    | BRACKET       | 1   |               | (A) NLA                          |
| 22  | 03M7290  | BOLT          | 2   |               | M6 X 30                          |
| 23  | M112535  | WASHER        | 2   |               |                                  |
| 24  | T140924  | CLAMP         | 1   |               |                                  |
| 25  | 14M7303  | FLANGE NUT    | 2   |               | M6                               |

| KEY | PART NO. | PART NAME     | QTY | Serial No.    | REMARKS   |
|-----|----------|---------------|-----|---------------|---|
| 26  | AM136542 | FAN           | 1   |               | NLA, ORDER AM138384, (B), (C), 5 BLADE                      |
| 26  | AM138384 | FAN           | 1   |               | SUB FOR AM136542, (D), 7 BLADE                              |
| 27  | GC00309  | NUT           | 4   |               | (B), (C), (D)   |
| 28  | 19M7862  | BOLT          | 4   | ____-080000   | (B), (C), (D)   |
| 28  | 19M7863  | BOLT          | 4   | 080001-____   |   |
| 29  | AM141558 | RADIATOR HOSE | 1   |               | SUB FOR VG10209; Outlet W/ Clamps                           |
| 30  | R117581  | GROMMET       | 2   |               | NLA; ORDER M165155  |
| 30  | M165155  | GROMMET       | 2   |               |   |
| 31  | AM137932 | ISOLATOR      | 1   | 020627-080000 | (F), Top Surface Of Lower Radiator Support, Behind Radiator |
| 32  | M152291  | ISOLATOR      | 1   | ____-020626   | (B), Bottom Foam  |
| 32  | M158463  | ISOLATOR      | 1   | 020627-080000 | (C), (D), (F), Bottom Foam                                  |
| 33  | M152289  | ISOLATOR      | 2   | ____-020626   | (B), End Foam   |
| 33  | M158461  | ISOLATOR      | 2   | 020627-080000 | (C), (D), (F), End Foam                                     |
| 34  | VG11759  | SWITCH        | 1   |               | (B), (C), (D), Thermal, Diesel                              |
| 35  | M156033  | RADIATOR      | 1   | ____-020626   | (B), NLA, SUB AM138711 AND AM138593                         |
| 35  | M158437  | RADIATOR      | 1   | 020627-080000 | (C), (D), NLA, SUB AM138711 AND AM138593                    |
| 35  | .....    | RADIATOR      | 1   | ____-080000   | (E), W/O Posts Soly   |
| 35  | .....    | RADIATOR      | 1   | 080001-____   | (G), W/ Posts   |
| 35  | AM140614 | DRAIN PLUG    | 1   |               | (E), (G), W/ O-Ring   |
| 36  | M802715  | FILLER CAP    | 1   |               | (B), (C), (D), (E), (G)                                     |
| 37  | M117554  | LABEL         | 1   |               | (E), (G)  |
| 38  | M173253  | LABEL         | 1   |               | Warning, Hot Surfaces                                       |
| ..  | VGA10320 | PLUG          | 1   |               | NLA; ORDER AM143039; INCLUDES PARTS MARKED (A)              |
| ..  | AM143039 | PLUG          | 1   |               |   |
| ..  | AM136544 | RADIATOR      | 1   |               | NLA; ORDER AM137860; INCLUDES PARTS MARKED (B)              |
| ..  | AM137860 | RADIATOR      | 1   |               | NLA; ORDER AM138383; INCLUDES PARTS MARKED (C)              |
| ..  | AM138383 | RADIATOR      | 1   |               | NLA; ORDER AM138711 AND AM138593; INCLUDES PARTS MARKED (D) |
| ..  | AM138711 | RADIATOR      | 1   | ____-080000   | INCLUDES PARTS MARKED (E); Soly                             |
| ..  | AM138593 | RADIATOR KIT  | 1   | ____-080000   | INCLUDES PARTS MARKED (F); Installation                     |
| ..  | AM138710 | RADIATOR      | 1   | 080001-____   | INCLUDES PARTS MARKED (G)                                   |



PU14087



**Please write to us.**

**Our email:**

**aservicemanualpdf@yahoo.com**

**Please go to the homepage  
to get the full manual, or  
other brand PDF manuals.**

**Home Site:**

**aservicemanualpdf.com**

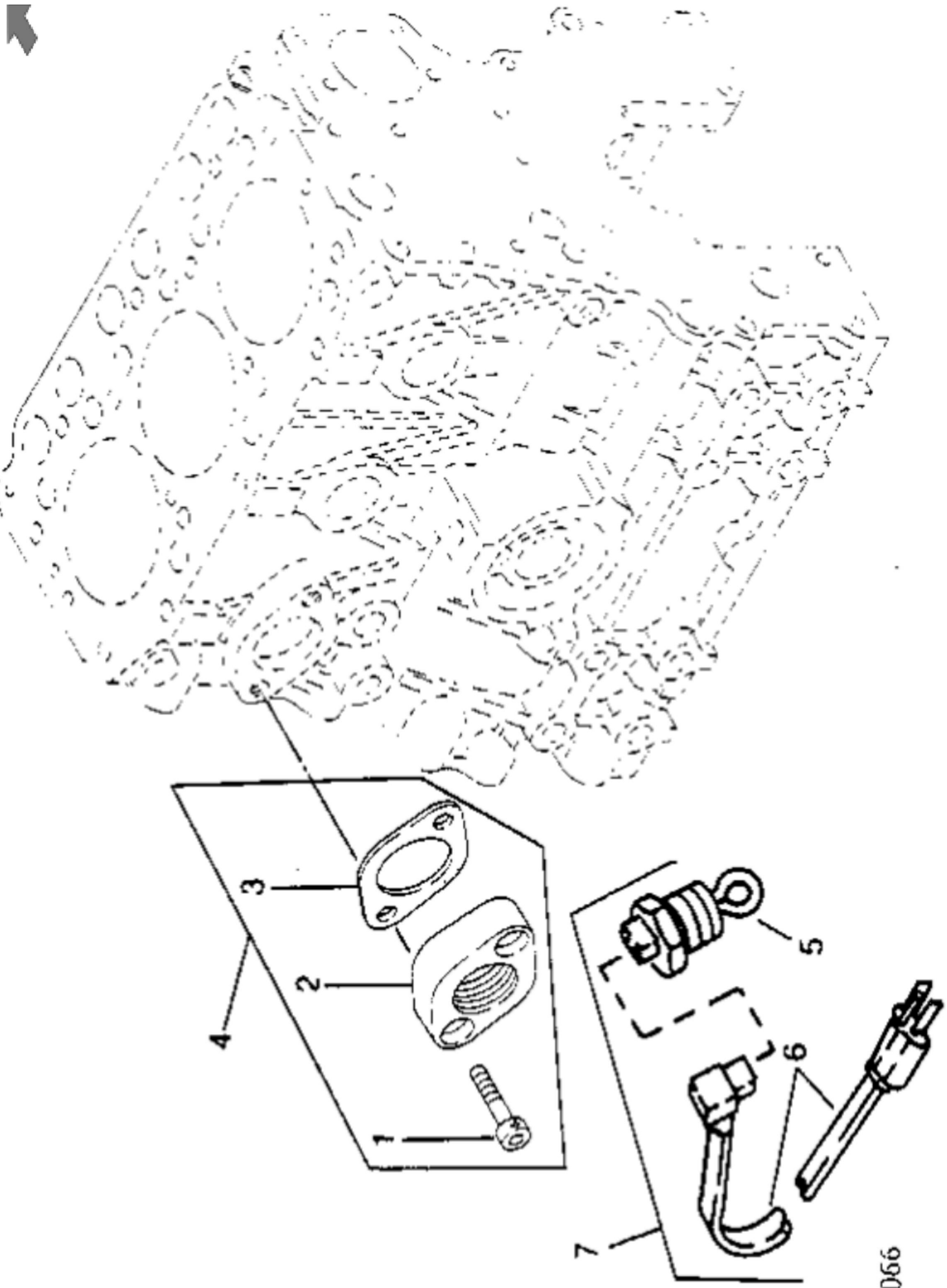
**Thank you very much for your reading. Please Click Here. Then Get COMPLETE MANUAL. NO WAITING**



**NOTE:**

**If there is no response to click on the link above, please download the PDF document first and then click on it.**

| KEY | PART NO.  | PART NAME  | QTY | REMARKS                        |
|-----|-----------|------------|-----|--------------------------------|
| 1   | MIU800288 | GASKET     | 1   | ORDER MIU802005; Cylinder Head |
| 1   | MIU802005 | GASKET     | 1   | Cylinder Head                  |
| 2   | MIU800300 | GASKET     | 1   | Valve Cover                    |
| 3   | MIU800302 | PLATE      | 1   | Baffle                         |
| 4   | M811809   | GASKET     | 1   | Exhaust                        |
| 5   | M89135    | GASKET     | 6   | Nozzle                         |
| 6   | T110737   | GASKET     | 1   |                                |
| 7   | M811967   | SHIELD     | 3   | Nozzle                         |
| 8   | M811850   | SEAL       | 3   | Intake Valve Stem              |
| 9   | M811851   | SEAL       | 3   | Exhaust Valve Stem             |
| 10  | M811857   | GASKET     | 1   | Manifold                       |
| 11  | M809204   | O-RING     | 1   |                                |
| 12  | M811885   | O-RING     | 3   |                                |
| 13  | M811886   | O-RING     | 1   |                                |
| 14  | M805711   | O-RING     | 2   |                                |
| 15  | M811568   | WASHER     | 1   |                                |
| 16  | CH10554   | WASHER     | 1   |                                |
| 17  | M803523   | WASHER     | 4   |                                |
| 18  | M806438   | WASHER     | 4   | SUB FOR CH15385                |
| 19  | CH16940   | O-RING     | 1   |                                |
| 20  | CH13814   | WASHER     | 1   |                                |
| 21  | M811968   | GASKET     | 3   |                                |
| 22  | MIU800322 | GASKET     | 1   | Water Pump                     |
| 23  | MIA880305 | GASKET KIT | 1   | ORDER MIA883634                |
| 23  | MIA883634 | GASKET KIT | 1   |                                |
| 24  | MIU802534 | WASHER     | 1   |                                |
| 25  | M811567   | WASHER     | 4   |                                |



MP4066

| KEY | PART NO. | PART NAME       | QTY | REMARKS                        |  |
|-----|----------|-----------------|-----|--------------------------------|--|
| 1   | 19M8708  | SCREW           | 2   | M8 X 18                        |  |
| 2   | M800125  | ADAPTER FITTING | 1   |                                |  |
| 3   | M805828  | GASKET          | 1   | SUB FOR M89174                 |  |
| 4   | AM882530 | ADAPTER KIT     | 1   | SUB FOR AM101390; Block Heater |  |
| 5   | AR87184  | COOLANT HEATER  | 1   | Engine                         |  |
| 6   | AR87168  | POWER CORD      | 1   |                                |  |
| 7   | AR87167  | HEATER KIT      | 1   | Coolant                        |  |