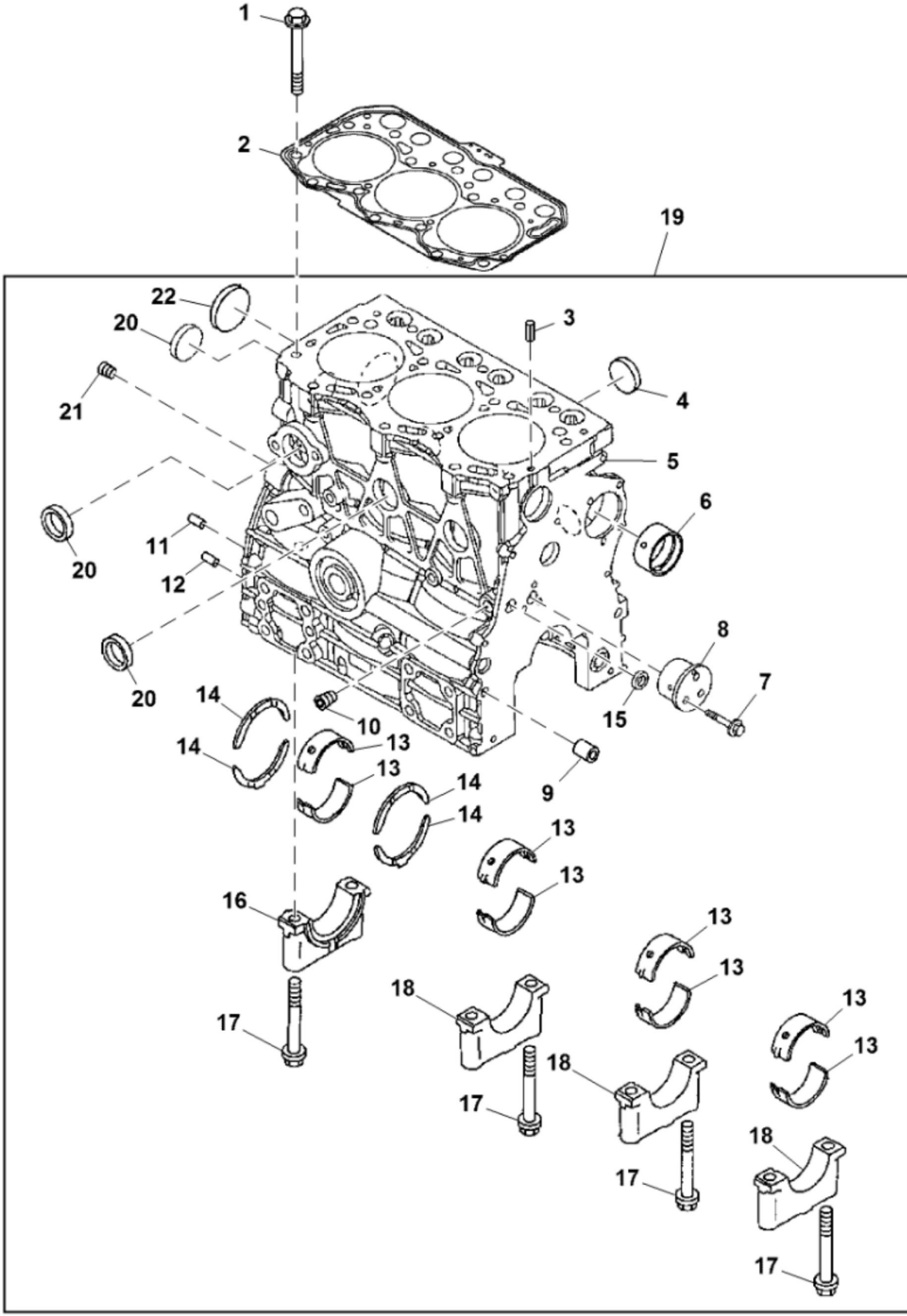


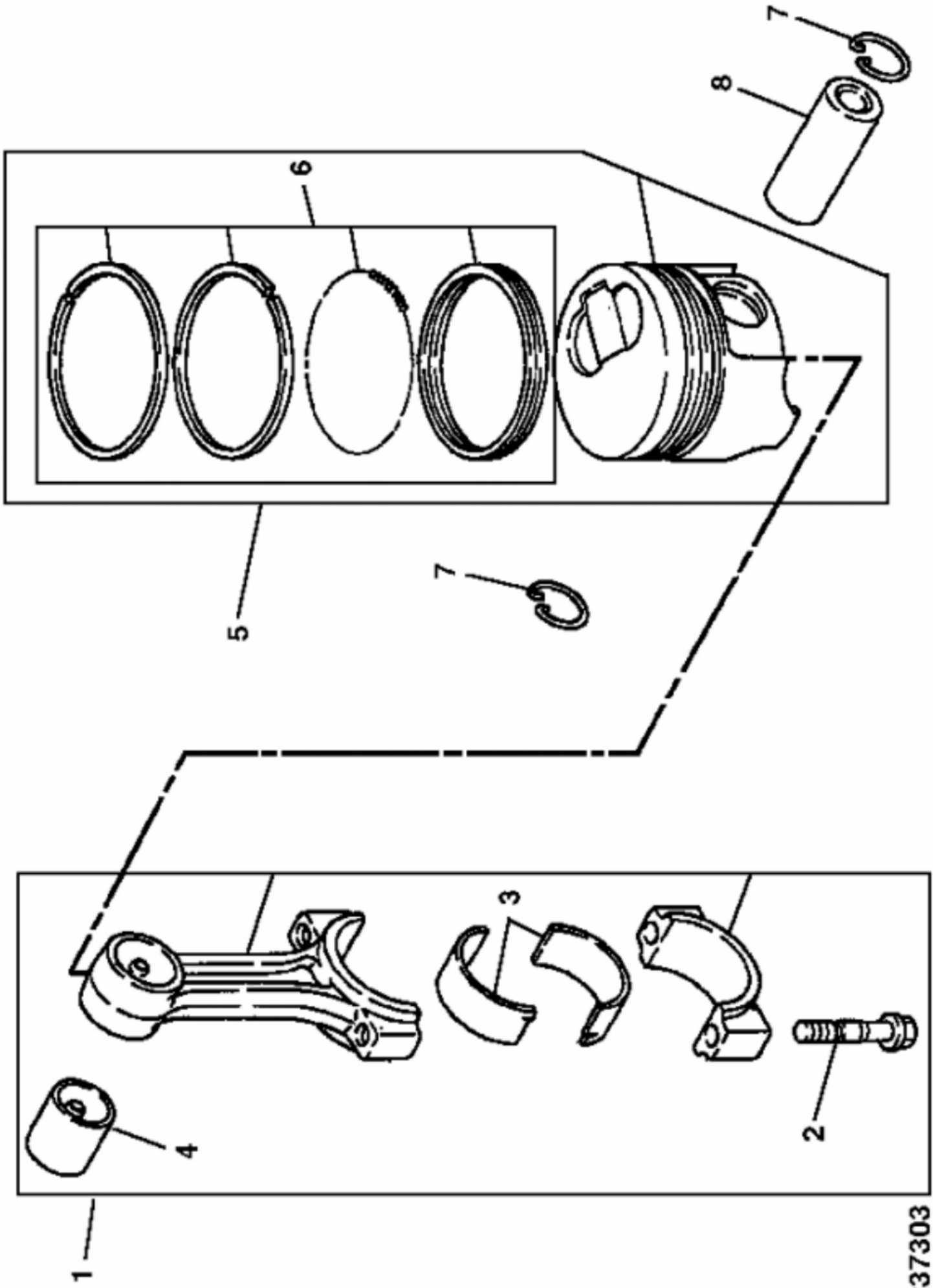
PU14105

| KEY | PART NO. | PART NAME | QTY | Serial No. | REMARKS |
|-----|-----------|----------------------|-----|--------------|--|
| 1 | AM133450 | ENGINE | 1 | | MARKED 3TNV70-XJUV; ORDER MIA10999 |
| 1 | MIA10999 | ENGINE | 1 | | MARKED 3TNV70W-XJUV; ORDER MIA882683; INCLUDES (2) R44302 |
| 1 | MIA12911 | DIESEL ENGINE | 1 | 110001-_____ | MARKED 3TNV74F-NXBJUV; ORDER MIA884537 |
| 1 | MIA880303 | SHORT BLOCK ASSEMBLY | 1 | | Not Illustrated ORDER MIA882683 |
| 1 | MIA882683 | SHORT BLOCK ASSEMBLY | 1 | | Not Illustrated |
| 1 | MIA13075 | DIESEL ENGINE | 1 | | MARKED 3TNV70-XJUV; Not For USA and Canada |
| 1 | MIA884537 | SHORT BLOCK ASSEMBLY | 1 | | |
| 2 | R44302 | TIE BAND | 2 | | Not Illustrated |



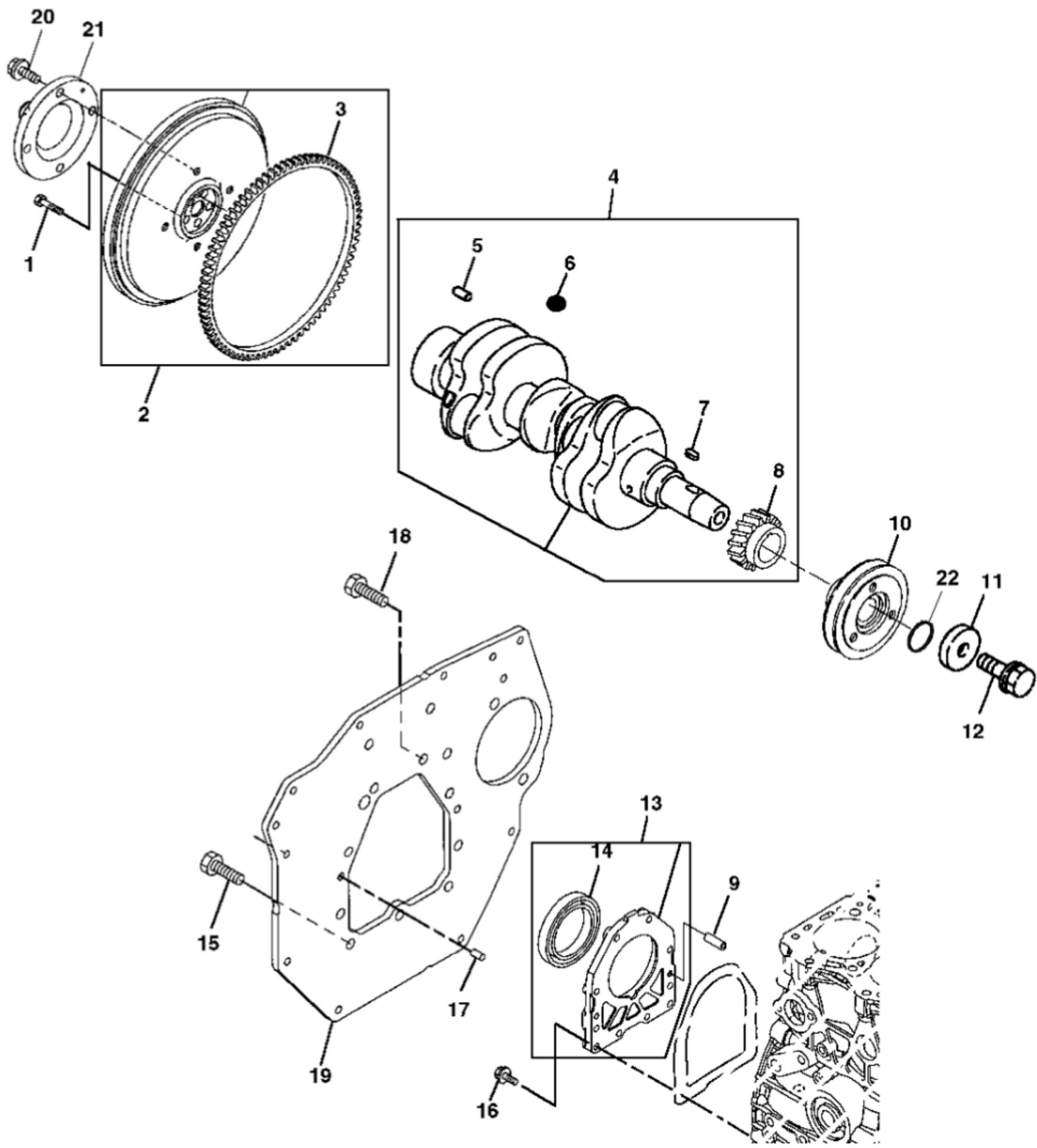
PU16960

| KEY | PART NO. | PART NAME | QTY | Serial No. | REMARKS |
|-----|-----------|----------------|-----|-------------|------------------------|
| 1 | MTU800287 | BOLT | 14 | | |
| 1 | M800970 | BOLT | 14 | | MARKED 3TNNV74F-NXBJUV |
| 2 | MTU800288 | GASKET | 1 | | ORDER MTU802005 |
| 2 | MTU802005 | GASKET | 1 | | |
| 2 | MIA882277 | GASKET KIT | 1 | | MARKED 3TNNV74F-NXBJUV |
| 3 | CH18079 | PIN | 2 | | |
| 4 | M811807 | PLUG | 3 | | |
| 5 | | CYLINDER BLOCK | 1 | | |
| 6 | M811828 | BUSHING | 1 | ____-070000 | |
| 6 | MTU800572 | BUSHING | 1 | 070001-____ | |
| 7 | M87871 | BOLT | 3 | | |
| 8 | M811882 | SHAFT | 1 | | Idle Gear |
| 9 | M800006 | DOWEL PIN | 2 | | |
| 10 | CH10314 | PLUG | 1 | | |
| 11 | M802255 | PIN | 2 | | |
| 12 | M802254 | PIN | 2 | | |
| 13 | MIA880551 | BEARING | 4 | | SUB FOR MIA880033; STD |
| 13 | AM882418 | BEARING KIT | 4 | | US = 0.25mm |
| 14 | AM882419 | BEARING KIT | 2 | | Thrust |
| 14 | AM875594 | BEARING KIT | 2 | | OS = 0.25mm, Thrust |
| 15 | M87801 | PLUG | 1 | | |
| 16 | | BEARING CAP | 1 | | |
| 17 | M87879 | BOLT | 8 | | |
| 18 | | BEARING CAP | 3 | | |
| 19 | MIA880295 | CYLINDER BLOCK | 1 | | |
| 19 | MIA883292 | CYLINDER BLOCK | 1 | | MARKED 3TNNV74F-NXBJUV |
| 20 | M811805 | PLUG | 4 | | |
| 21 | CH10335 | PLUG | 6 | | |
| 22 | M809593 | PLUG | 1 | | |



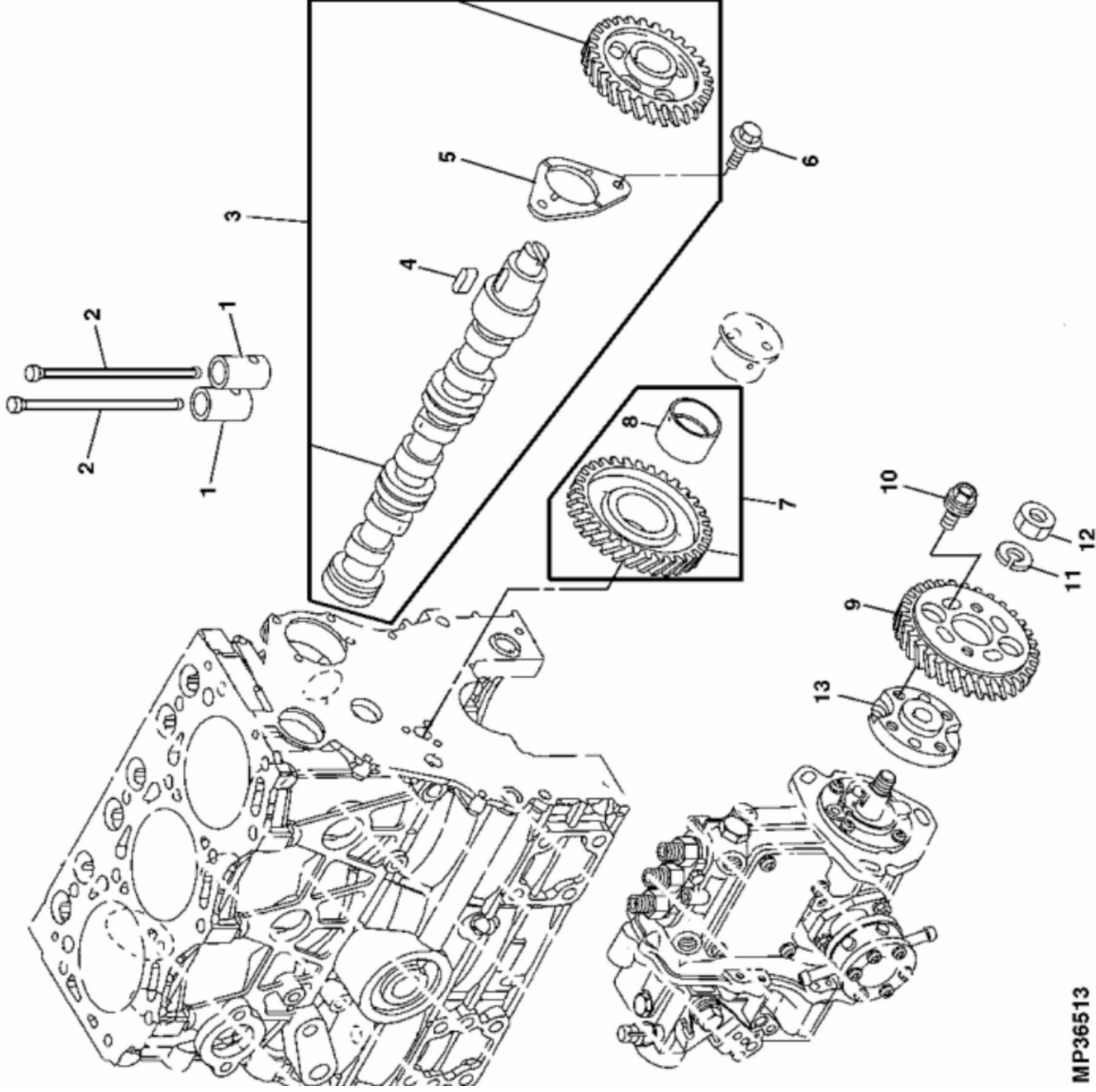
MP37303

| KEY | PART NO. | PART NAME | QTY | Serial No. | REMARKS |
|-----|-----------|-----------------|-----|-------------|-------------------------------------|
| 1 | MIA880289 | CONNECTING ROD | 3 | | |
| 2 | M811877 | BOLT | 6 | | |
| 3 | MIA880290 | BEARING KIT | 3 | ____-070000 | STD |
| 3 | MIA880560 | BEARING KIT | 3 | 070001-____ | |
| 3 | MIA880565 | BEARING KIT | 3 | | US = 0.25 mm, SUB FOR MIA880291 |
| 4 | M811880 | BUSHING | 3 | | |
| 5 | MIA880283 | PISTON KIT | 3 | | STD |
| 5 | MIA880288 | PISTON KIT | 3 | | OS = 0.25 mm |
| 5 | MIA882286 | PISTON KIT | 3 | | MARKED 3TNV74F-NXBJUV; STD |
| 5 | MIA884093 | PISTON KIT | 3 | | OS = 0.25 mm, MARKED 3TNV74F-NXBJUV |
| 6 | MIA880285 | PISTON RING KIT | 3 | | STD |
| 6 | MIA880286 | PISTON RING KIT | 3 | | OS = 0.25 mm |
| 6 | MIA882279 | PISTON RING KIT | 3 | | MARKED 3TNV74F-NXBJUV |
| 6 | MIA882310 | PISTON RING KIT | 3 | | OS = 0.25 mm, MARKED 3TNV74F-NXBJUV |
| 7 | CH11486 | RING | 6 | | |
| 8 | MIU800313 | PISTON PIN | 3 | | |
| 8 | M811869 | PISTON PIN | 3 | | MARKED 3TNV74F-NXBJUV |

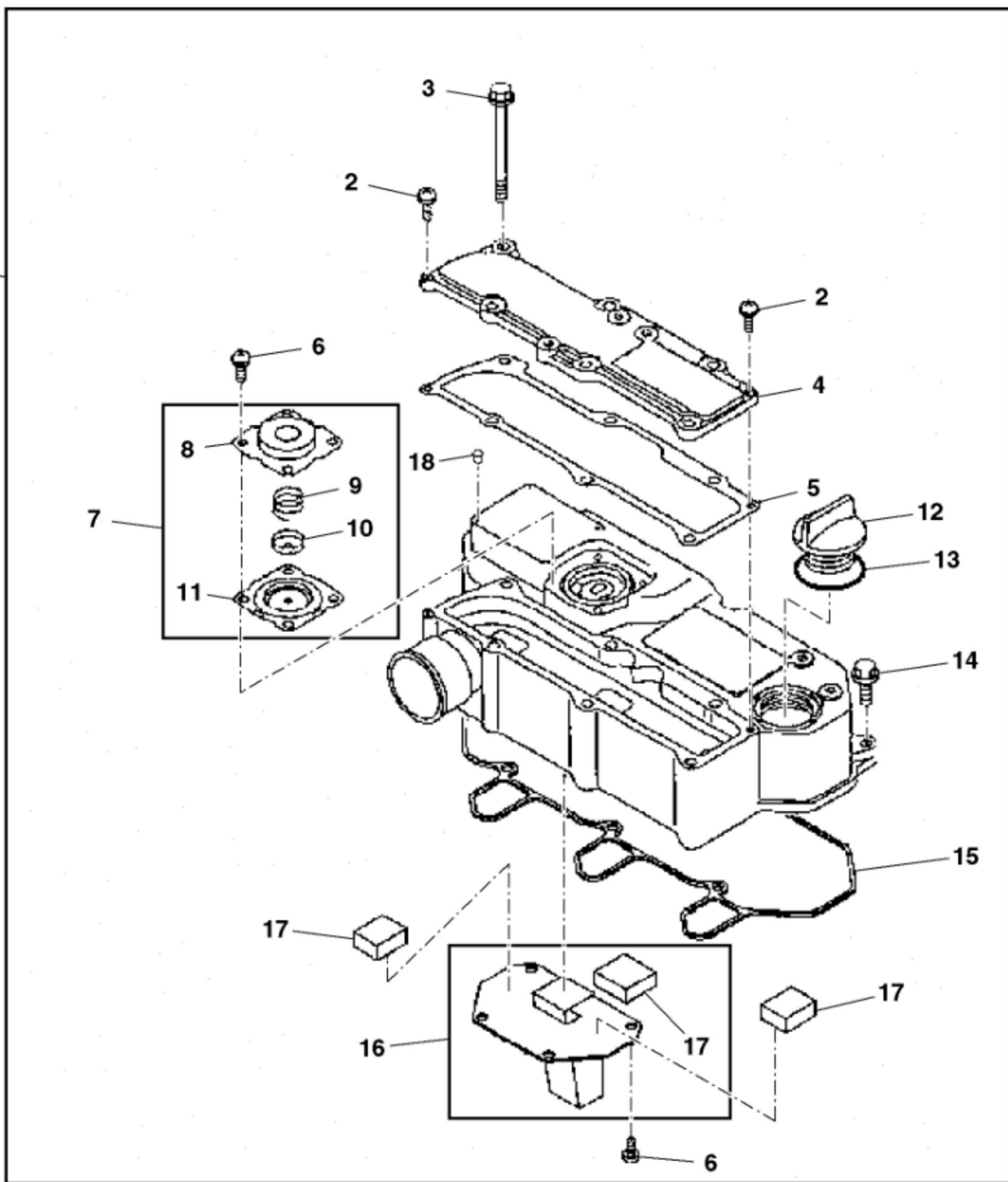


PU16849

| KEY | PART NO. | PART NAME | QTY | Serial No. | REMARKS |
|-----|-----------|------------|-----|-------------|------------------------|
| 1 | M87887 | BOLT | 5 | | |
| 2 | M1A880632 | FLYWHEEL | 1 | | SUB FOR AM875090 |
| 2 | M1A884084 | FLYWHEEL | 1 | | MARKED 3TNNV74F-NXBJUV |
| 3 | M88025 | RING GEAR | 1 | | |
| 4 | M1A880282 | CRANKSHAFT | 1 | | |
| 4 | M1A883286 | CRANKSHAFT | 1 | | MARKED 3TNNV74F-NXBJUV |
| 5 | M802255 | PIN | 1 | | |
| 6 | 400R | BALL | 1 | | |
| 7 | M87812 | SHAFT KEY | 2 | | |
| 8 | M811864 | GEAR | 1 | | |
| 9 | M802254 | PIN | 2 | | |
| 10 | MIU800069 | PULLEY | 1 | | |
| 10 | MIU804102 | PULLEY | 1 | | MARKED 3TNNV74F-NXBJUV |
| 11 | M800308 | WASHER | 1 | | |
| 11 | MIU802535 | WASHER | 1 | | |
| 12 | M800075 | BOLT | 1 | ____-070000 | |
| 12 | MIU801499 | BOLT | 1 | 070001-____ | |
| 13 | M1A880302 | HOUSING | 1 | | |
| 14 | MIU800347 | SEAL | 1 | | |
| 15 | 19M7402 | CAP SCREW | 3 | | M10 X 25 |
| 16 | M87826 | BOLT | 10 | | |
| 17 | M802255 | PIN | 2 | | |
| 18 | M800011 | BOLT | 7 | | |
| 19 | MIU800328 | FLANGE | 1 | | |
| 20 | 19M7402 | CAP SCREW | 4 | ____-070000 | M10 X 25 |
| 20 | M800077 | BOLT | 4 | 070001-____ | |
| 21 | MIU800331 | SHAFT | 1 | | |
| 22 | MIU802534 | WASHER | 1 | | MARKED 3TNNV74F-NXBJUV |

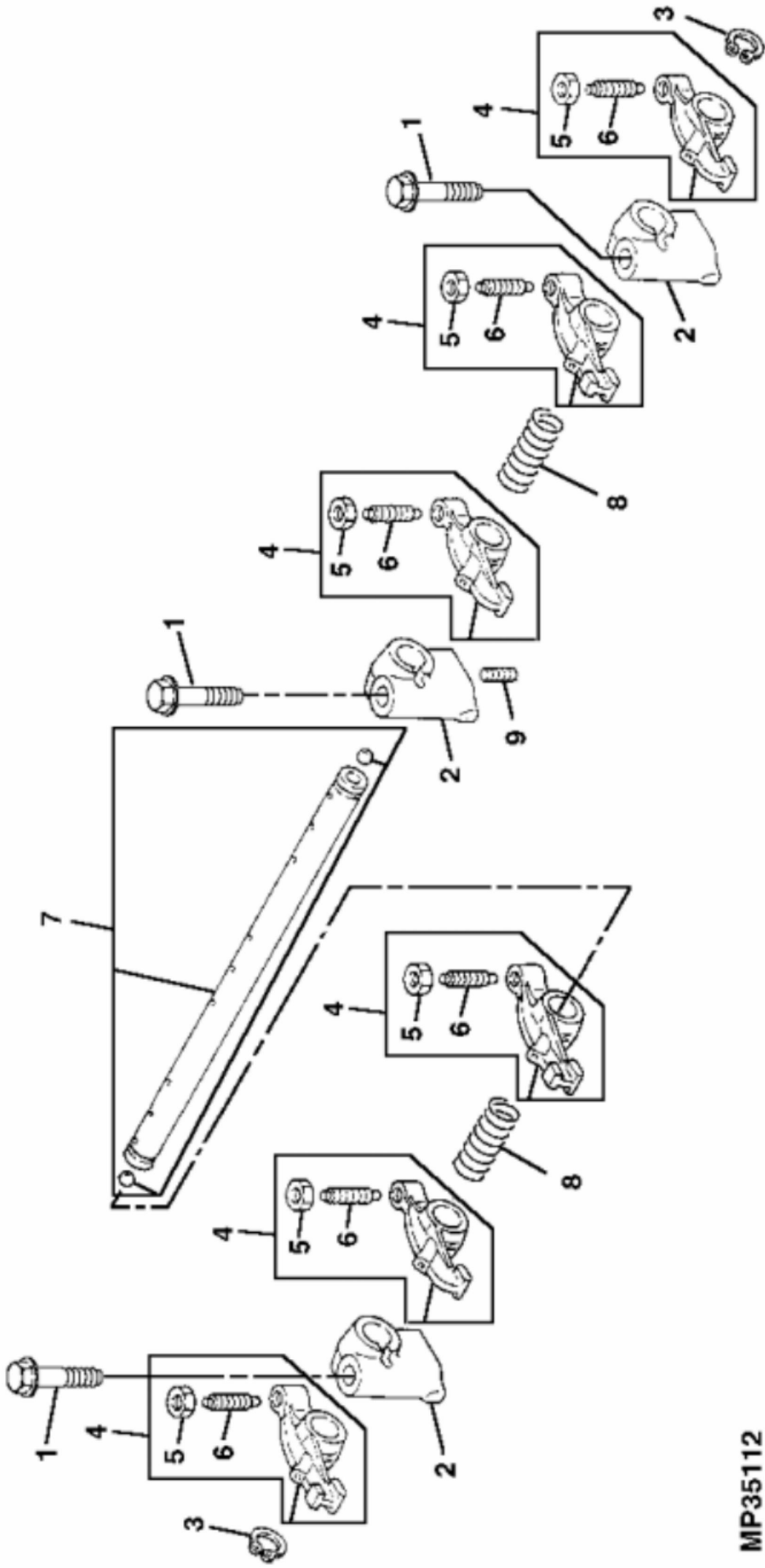


| KEY | PART NO. | PART NAME | QTY | Serial No. | REMARKS |
|-----|-----------|-------------|-----|-------------|------------------------------|
| 1 | M87813 | TAPPET | 6 | | |
| 2 | MIU800308 | PUSH ROD | 6 | | |
| 3 | MIA880281 | CAMSHAFT | 1 | ____-070000 | |
| 3 | MIA880536 | CAMSHAFT | 1 | 070001-____ | |
| 4 | M87812 | SHAFT KEY | 1 | | |
| 5 | M87810 | FLANGE | 1 | | |
| 6 | 19M7774 | SCREW | 2 | | M6 X 12 |
| 7 | AM882434 | GEAR | 1 | ____-070000 | |
| 7 | MIA880570 | IDLER GEAR | 1 | 070001-____ | |
| 8 | MIU800598 | BUSHING | 1 | | SUB FOR MIU800070; Idle Gear |
| 9 | M811884 | GEAR | 1 | | |
| 10 | | BOLT | 4 | | |
| 11 | 12M7067 | LOCK WASHER | 1 | | 12 mm |
| 12 | 14M7275 | NUT | 1 | | M12 |
| 13 | | FLANGE | 1 | | |



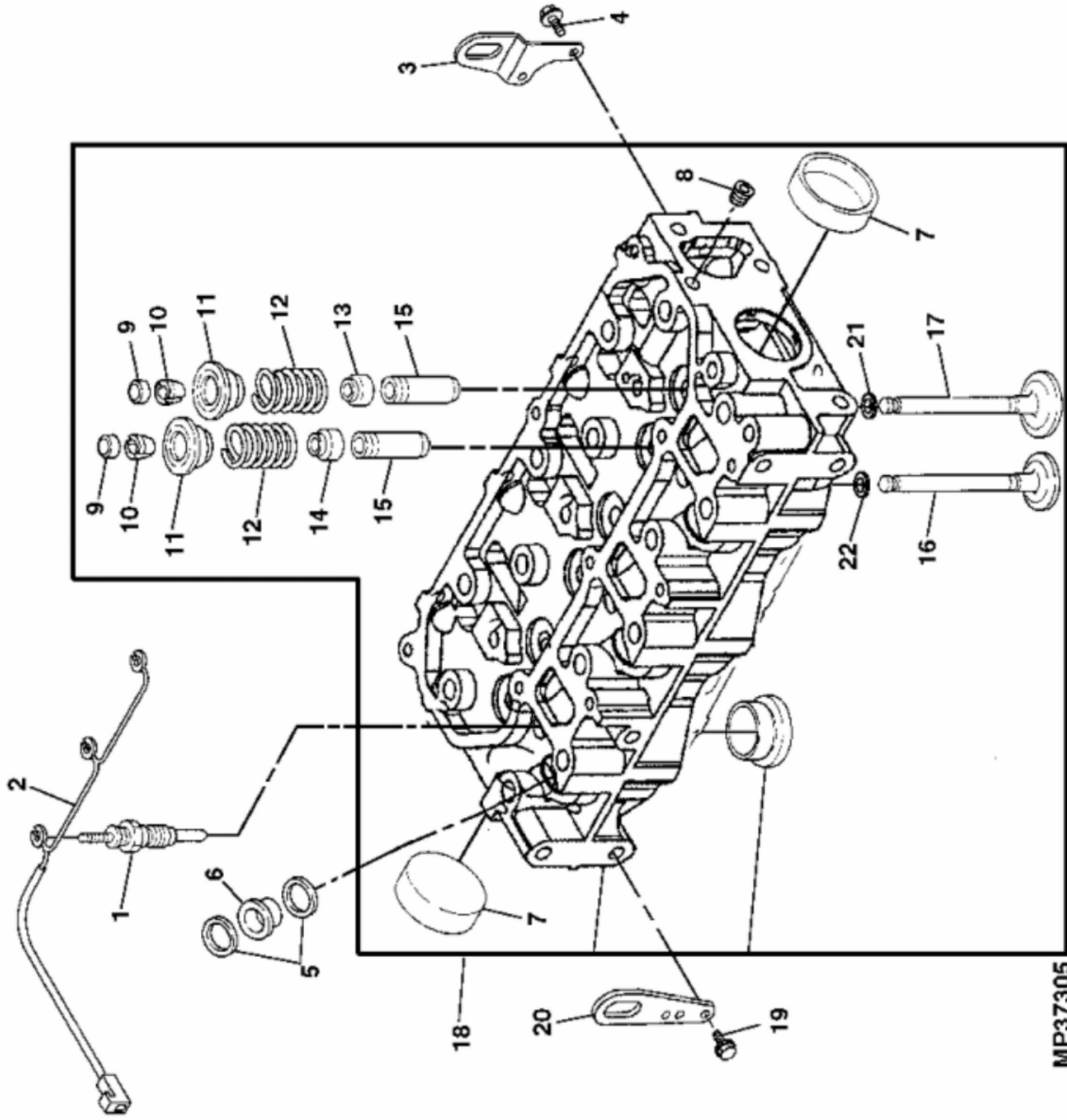
PU04145

| KEY | PART NO. | PART NAME | QTY | REMARKS |
|-----|-----------|-------------|-----|-------------------------|
| 1 | M1A880279 | VALVE COVER | 1 | |
| 2 | M811981 | SCREW | 2 | |
| 3 | M800100 | BOLT | 6 | |
| 4 | MIU800301 | COVER | 1 | |
| 5 | MIU800302 | GASKET | 1 | |
| 6 | M807374 | SCREW | 8 | |
| 7 | AM882461 | DIAPHRAGM | 1 | |
| 8 | M811649 | COVER | 1 | |
| 9 | M811650 | SPRING | 1 | |
| 10 | M811046 | PLATE | 1 | |
| 11 | M811958 | DIAPHRAGM | 1 | |
| 12 | M805710 | CAP | 1 | |
| 13 | M805711 | PACKING | 1 | |
| 14 | 19M7862 | SCREW | 3 | M6 X 20, SUB FOR M87820 |
| 15 | MIU800300 | GASKET | 1 | |
| 16 | M811835 | PLATE | 1 | |
| 17 | M811836 | DEFLECTOR | 3 | |
| 18 | CH10061 | RIVET | 4 | |



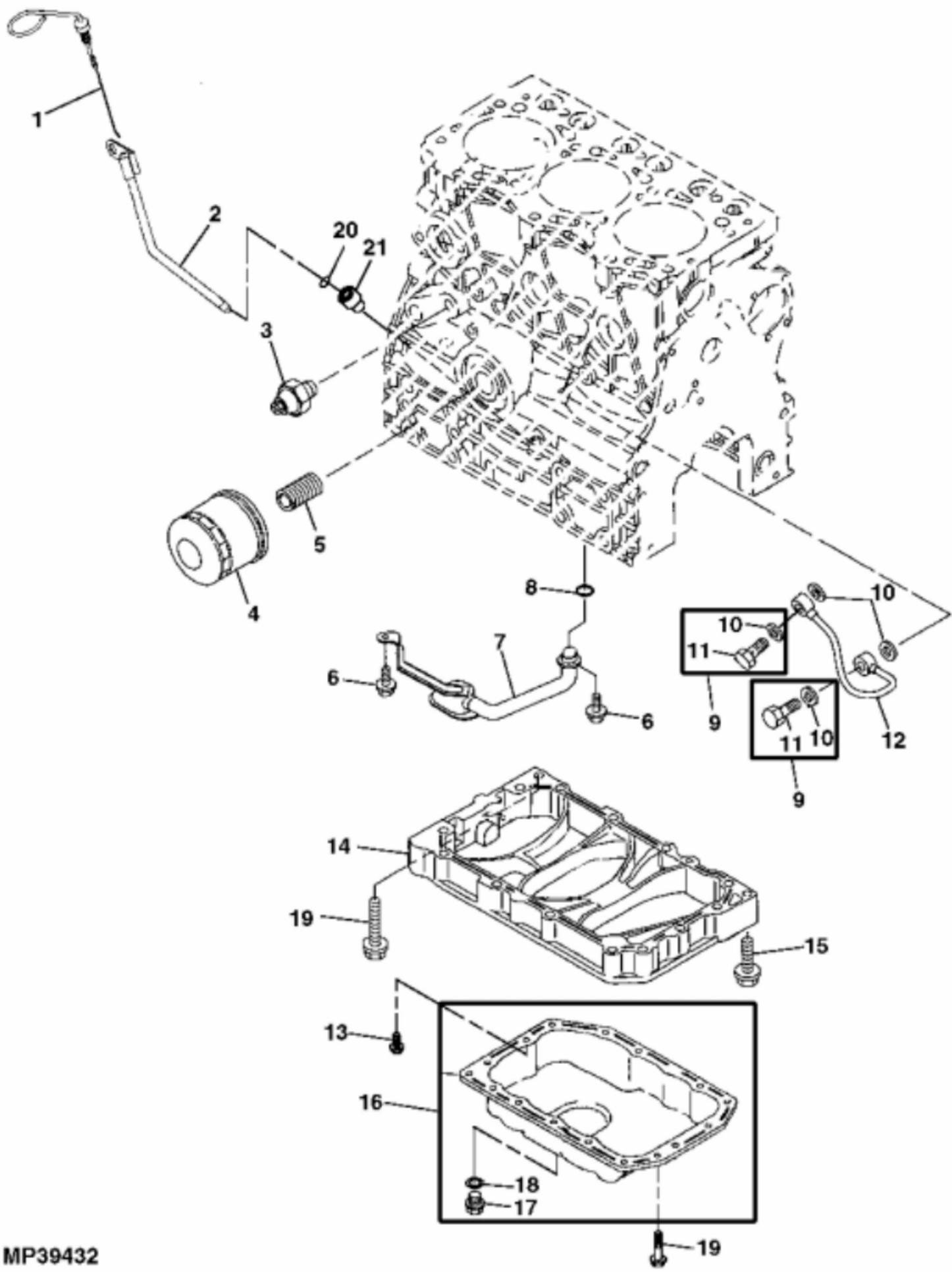
MP35112

| KEY | PART NO. | PART NAME | QTY | REMARKS |
|-----|-----------|------------------|-----|---------|
| 1 | 19M8317 | SCREW | 3 | M8 X 40 |
| 2 | M811846 | SUPPORT | 3 | |
| 3 | M87818 | SNAP RING | 2 | |
| 4 | AM882423 | ROCKER ARM | 6 | |
| 5 | M801028 | NIUT | 6 | |
| 6 | M801027 | SCREW | 6 | |
| 7 | M1A880278 | ROCKER ARM SHAFT | 1 | |
| 8 | MIU800298 | SPRING | 2 | |
| 9 | M87893 | SCREW | 1 | |



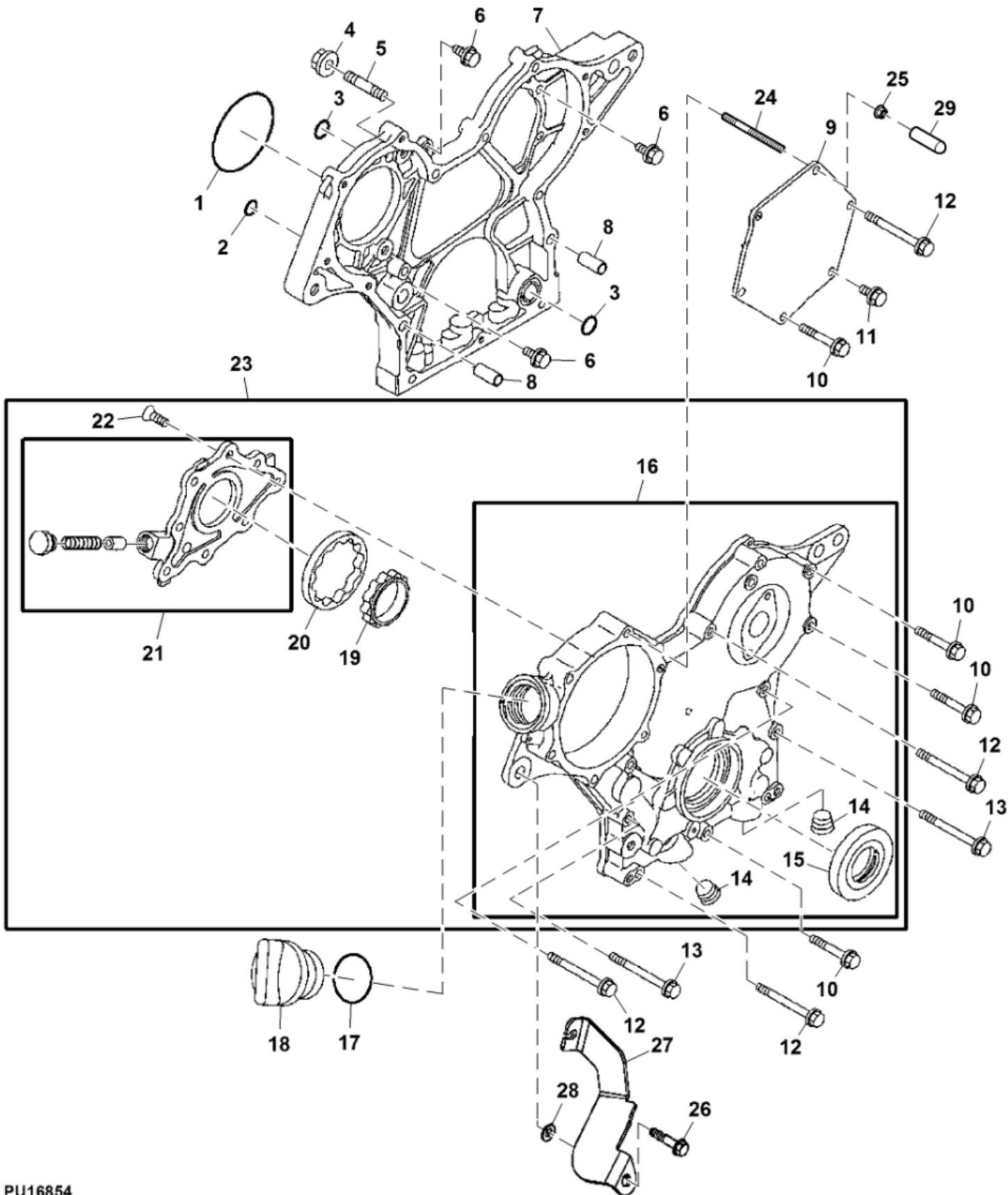
MP37305

| KEY | PART NO. | PART NAME | QTY | Serial No. | REMARKS |
|-----|-----------|--------------------------|-----|-------------|------------------------------|
| 1 | M811937 | GLOW PLUG | 3 | | NLA; ORDER MIU802457 |
| 1 | MIU802457 | GLOW PLUG | 3 | | |
| 2 | M811938 | ELEC. CONNECTOR TERMINAL | 1 | | |
| 3 | MIU800340 | BRACKET | 1 | | LIFT |
| 4 | CH19780 | BOLT | 2 | | |
| 5 | M89135 | GASKET | 6 | | |
| 6 | M811967 | SHIELD | 3 | | |
| 7 | M811808 | PLUG | 2 | | |
| 8 | M808706 | PLUG | 1 | | |
| 9 | M811804 | CAP | 6 | | |
| 10 | M811844 | RETAINER | 12 | | |
| 11 | M811966 | RETAINER | 6 | | |
| 12 | M811842 | SPRING | 6 | | |
| 13 | M811850 | SEAL | 3 | | INTAKE |
| 14 | M811851 | SEAL | 3 | | EXHAUST |
| 15 | MIU800305 | GUIDE | 6 | | |
| 16 | MIU800295 | EXHAUST VALVE | 3 | | |
| 16 | MIU802532 | EXHAUST VALVE | 3 | | MARKED 3TNNV74F-NXBJUV |
| 17 | MIU800294 | INTAKE VALVE | 3 | ____-070000 | |
| 17 | MIU800610 | INTAKE VALVE | 3 | 070001-____ | |
| 17 | MIU802531 | VALVE | 3 | | MARKED 3TNNV74F-NXBJUV |
| 18 | MIA880280 | CYLINDER HEAD | 1 | | |
| 18 | MIA884063 | CYLINDER HEAD | 1 | | MARKED 3TNNV74F-NXBJUV; ASSY |
| 19 | 19M7865 | SCREW | 2 | | M8 X 16, SUB FOR CH18390 |
| 20 | M811037 | BRACKET | 1 | | LIFT |
| 21 | MIU800292 | VALVE SEAT | 3 | | INTAKE |
| 22 | MIU800293 | VALVE SEAT | 3 | | EXHAUST |



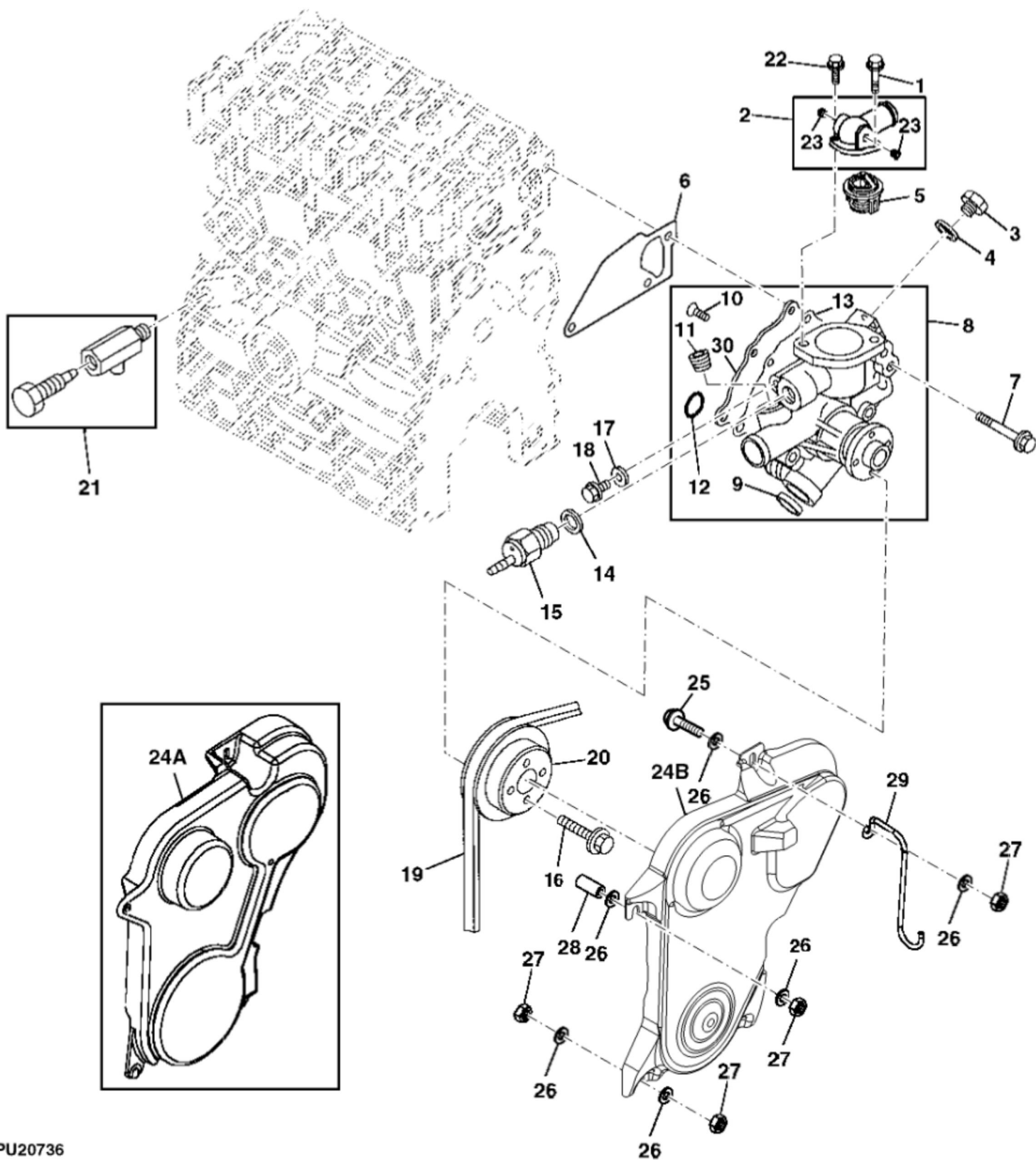
MP39432

| KEY | PART NO. | PART NAME | QTY | REMARKS |
|-----|-----------|--------------|-----|------------------------|
| 1 | MIU800674 | DIPSTICK | 1 | |
| 1 | MIU804101 | DIPSTICK | 1 | MARKED 3TNNV74F-NXB UV |
| 2 | MIU800675 | GUIDE | 1 | |
| 3 | M809526 | SWITCH | 1 | Oil Pressure |
| 4 | M806418 | OIL FILTER | 1 | |
| 5 | MIU801676 | STUD | 1 | |
| 6 | 19M7300 | CAP SCREW | 2 | M6 X 10 |
| 7 | MIA880297 | PIPE | 1 | Oil Suction |
| 8 | M811886 | O-RING | 1 | |
| 9 | AM881809 | BOLT | 2 | |
| 10 | M803523 | WASHER | 4 | |
| 11 | CH16843 | HOLLOW SCREW | 2 | |
| 12 | M811892 | PIPE | 1 | |
| 13 | 19M7774 | SCREW | 1 | M6 X 12 |
| 14 | MIU800290 | SPACER | 1 | |
| 15 | M87869 | BOLT | 1 | |
| 16 | MIA880523 | RESERVOIR | 1 | SUB FOR MIA880296 |
| 17 | T111565 | PLUG | 1 | |
| 18 | M811568 | WASHER | 1 | |
| 19 | M87878 | BOLT | 17 | |
| 20 | MIU801479 | PACKING | 1 | |
| 21 | M89143 | GUIDE | 1 | |



PU16854

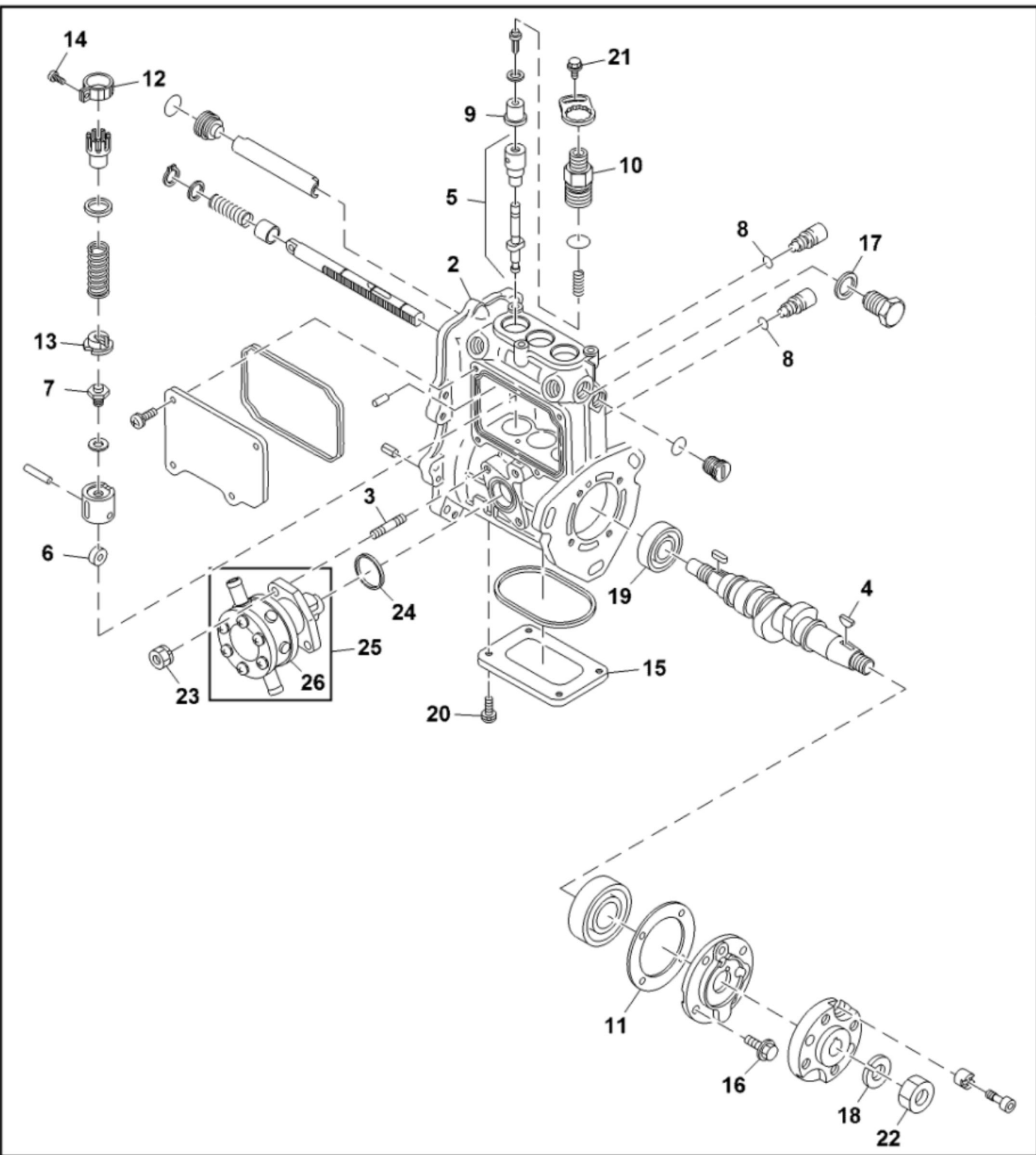
| KEY | PART NO. | PART NAME | QTY | REMARKS |
|-----|-----------|------------|-----|--------------------------|
| 1 | CH16940 | O-RING | 1 | |
| 2 | M809204 | O-RING | 1 | |
| 3 | M811885 | O-RING | 3 | |
| 4 | 14M7298 | FLANGE NUT | 3 | M8 |
| 5 | M811820 | STUD | 3 | |
| 6 | 19M7775 | SCREW | 4 | M6 X 16 |
| 7 | M811816 | GEAR CASE | 1 | |
| 8 | M800006 | DOWEL PIN | 2 | |
| 9 | M811823 | COVER | 1 | Pump Timing |
| 10 | 19M7797 | SCREW | 7 | M6 X 40, SUB FOR M800008 |
| 11 | 19M7774 | SCREW | 1 | M6 X 12 |
| 12 | M89120 | BOLT | 7 | |
| 13 | M800065 | BOLT | 2 | |
| 14 | M806938 | PLUG | 2 | |
| 15 | M811563 | SEAL | 1 | |
| 16 | AM882469 | COVER | 1 | Gear Case |
| 17 | M805711 | PACKING | 1 | |
| 18 | M805710 | CAP | 1 | |
| 19 | M811888 | ROTOR | 1 | Inner |
| 20 | M811889 | ROTOR | 1 | Outer |
| 21 | AM882435 | COVER | 1 | |
| 22 | M811061 | SCREW | 8 | |
| 23 | AM882445 | COVER | 1 | Oil Pump |
| 24 | MTU800281 | STUD | 3 | |
| 25 | 14M7303 | FLANGE NUT | 3 | M6 |
| 26 | 19M7835 | SCREW | 1 | M10 X 35 |
| 27 | M154240 | BRACKET | 1 | Throttle Cable |
| 28 | 28H856 | WASHER | 1 | 0.423" X 0.675" X 3/16" |
| 29 | M174072 | COVER | 1 | |



PU20736

| KEY | PART NO. | PART NAME | QTY | REMARKS |
|-----|-----------|-------------|-----|--|
| 1 | 19M7868 | SCREW | 1 | M8 X 30 |
| 2 | MIA880301 | COVER | 1 | |
| 3 | M800312 | PLUG | 1 | |
| 4 | CH13814 | WASHER | 1 | |
| 5 | M811895 | THERMOSTAT | 1 | 71°C, STD |
| 6 | MIU800322 | GASKET | 1 | |
| 7 | 19M7800 | SCREW | 3 | M8 X 50 |
| 8 | MIA880292 | WATER PUMP | 1 | ORDER MIA882092; INCLUDESMIU800071; Back Plate |
| 8 | MIA882092 | WATER PUMP | 1 | Gasket |
| 8 | MIA882090 | WATER PUMP | 1 | MARKED 3TNNV74F-NXBJUV |
| 9 | CH17101 | PLUG | 1 | |
| 10 | M800087 | SCREW | 5 | |
| 11 | | PLUG | 1 | |
| 11 | M811345 | PLUG | 1 | MARKED 3TNNV74F-NXBJUV |
| 12 | MIU800050 | O-RING | 1 | |
| 12 | MIU802236 | O-RING | 1 | SUB FOR MIU800050 |
| 13 | MIU800071 | GASKET | 1 | |
| 14 | CH13814 | WASHER | 1 | |
| 15 | CH15516 | SWITCH | 1 | Water Temperature |
| 16 | 19M7774 | SCREW | 4 | M6 X 12 |
| 17 | CH10554 | PACKING | 1 | |
| 18 | 19M7864 | SCREW | 1 | M8 X 12 |
| 19 | MIU800681 | V-BELT | 1 | SUB FOR MIU800349; Cogged |
| 20 | M811894 | PULLEY | 1 | |
| 20 | MIU800678 | PULLEY | 1 | MARKED 3TNNV74F-NXBJUV |
| 21 | AM100800 | DRAIN VALVE | 1 | |
| 22 | 19M7866 | SCREW | 1 | M8 X 20 |
| 23 | MIU800282 | PLUG | 2 | |
| 24A | M152317 | SHIELD | 1 | ORDER M173722; Belt |
| 24B | M173722 | SHIELD | 1 | Belt |
| 25 | 19M7833 | SCREW | 1 | M6 X 35 |
| 26 | 24M7139 | WASHER | 8 | 6.400 X 18 X 1.600 mm |
| 27 | 14M7397 | LOCK NUT | 4 | M6 |
| 28 | M110961 | SPACER | 1 | USE WITH M152317 |

| KEY | PART NO. | PART NAME | QTY | REMARKS |
|-----|-----------|--------------|-----|--|
| 29 | M175289 | HOSE SUPPORT | 1 | SUB FOR M156022 OR M154155; Coolant Line |
| 30 | MTU800323 | COVER | 1 | |



PU16643

Please write to us.

Our email:

aservicemanualpdf@yahoo.com

**Please go to the homepage
to get the full manual, or
other brand PDF manuals.**

Home Site:

aservicemanualpdf.com

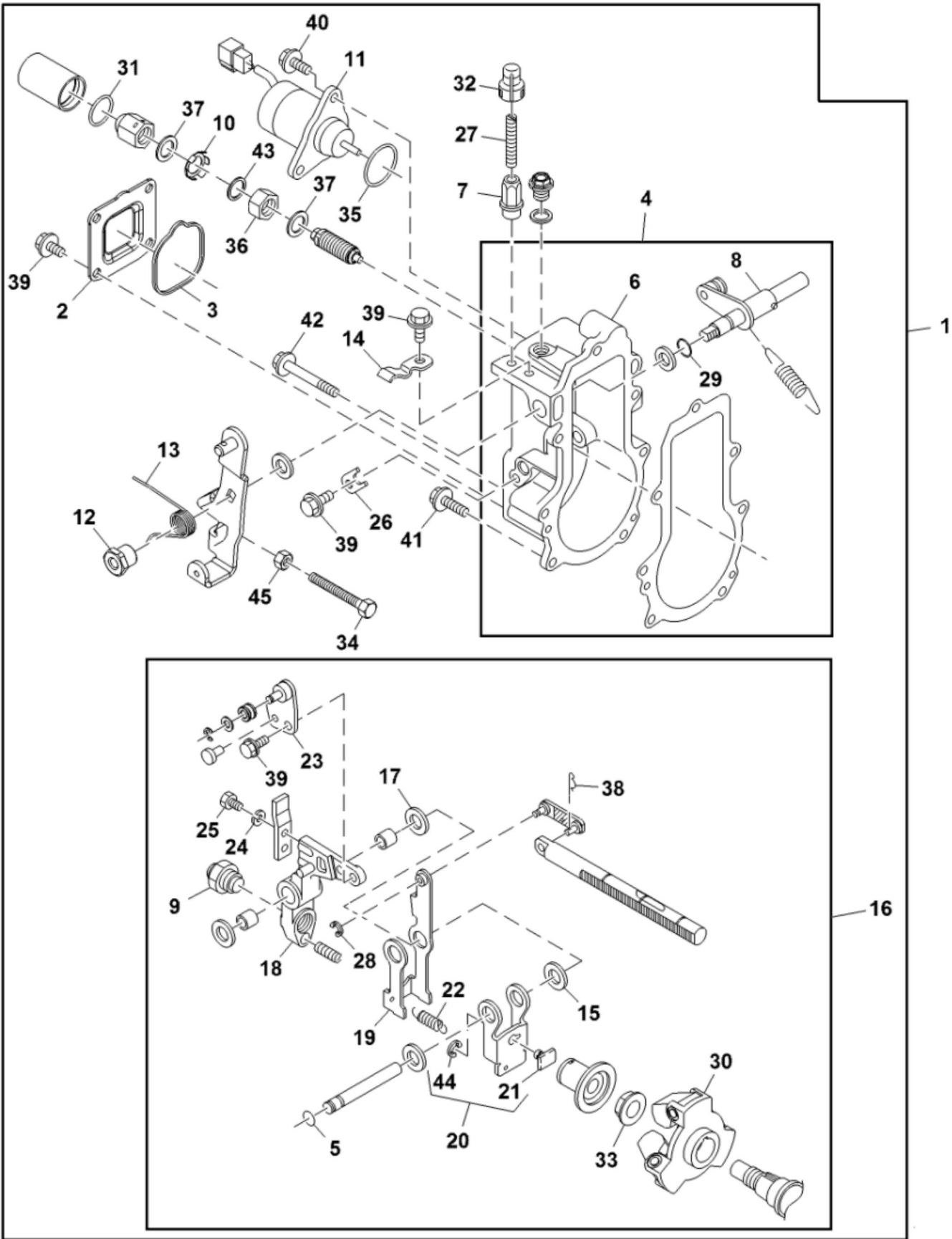
**Thank you very much for
your reading. Please Click
Here. Then Get COMPLETE
MANUAL. NO WAITING**



NOTE:

**If there is no response to
click on the link above,
please download the PDF
document first and then
click on it.**

| KEY | PART NO. | PART NAME | QTY | REMARKS |
|-----|-----------|---------------------|-----|---------------------------------|
| 1 | MIA884085 | FUEL INJECTION PUMP | 1 | Assembly |
| 2 | M811896 | HOUSING | 1 | INCLUDES M811897; Fuel Oil Pump |
| 3 | CH15396 | STUD | 2 | |
| 4 | M87843 | SHAFT KEY | 1 | |
| 5 | MIA880274 | PLUNGER | 3 | Assembly |
| 6 | M811906 | ROLLER | 3 | |
| 7 | M811907 | BOLT | 3 | |
| 8 | M89151 | O-RING | 4 | |
| 9 | M811908 | SEAT | 3 | |
| 10 | M811972 | SPRING | 3 | |
| 11 | AM875405 | SHIM KIT | 1 | Adjustable |
| 12 | M810064 | PINION | 3 | |
| 13 | MIU800619 | RETAINER | 3 | |
| 14 | M810065 | SCREW | 3 | |
| 15 | M809670 | COVER | 1 | |
| 16 | MIU802525 | BOLT | 4 | |
| 17 | M811568 | WASHER | 1 | |
| 18 | CH11477 | WASHER | 1 | |
| 19 | CH14811 | BALL BEARING | 1 | |
| 20 | T110452 | SCREW WITH WASHER | 8 | |
| 21 | M807193 | BOLT | 3 | |
| 22 | 14M7275 | NUT | 1 | M12 |
| 23 | MIU801500 | NUT | 2 | |
| 24 | M811963 | GASKET | 1 | |
| 25 | AM882462 | FUEL PUMP | 1 | Assembly |
| 26 | RG60192 | HOUSING | 1 | |
| 27 | MIA880298 | GOVERNOR | 1 | (Not Illustrated) |
| 28 | MIU800364 | CHECK VALVE | 3 | (Not Illustrated) |
| 29 | M811975 | DRAWER SLIDE | 3 | (Not Illustrated) |
| 30 | M811978 | HOLDER | 3 | (Not Illustrated) |
| 31 | M811897 | HOUSING | 1 | (Not Illustrated) |



PU16666

| KEY | PART NO. | PART NAME | QTY | REMARKS |
|-----|-----------|-------------|-----|--|
| 1 | M1A880298 | GOVERNOR | 1 | INCLUDES CH10561 AND CH15585 |
| 2 | MIU800345 | COVER | 1 | Governor Case |
| 3 | M811926 | GASKET | 1 | Cover |
| 4 | M1A880299 | CASE | 1 | INCLUDES (3) CH13497 AND M801335 |
| 5 | M89151 | O-RING | 1 | |
| 6 | M811924 | CASE | 1 | Governor |
| 7 | M810594 | NUT | 1 | Hi - Idle |
| 8 | M811932 | SHAFT | 1 | Lever |
| 9 | M1A880294 | KIT | 1 | INCLUDES T111874 AND (2) AT110817; Angleich Assembly |
| 10 | M810061 | PLATE | 1 | |
| 11 | M806808 | SOLENOID | 1 | Fuel Cut |
| 12 | T111555 | NUT | 1 | |
| 13 | MIU800337 | SPRING | 1 | |
| 14 | MIU800338 | RETAINER | 1 | |
| 15 | M89159 | SPACER | 1 | |
| 16 | AM882460 | LEVER | 1 | |
| 17 | CH10516 | SHIM | 2 | |
| 18 | M811934 | LEVER | 1 | |
| 19 | M811935 | LEVER | 1 | |
| 20 | M1A881494 | LEVER | 1 | |
| 21 | MIU801501 | SHIFTER | 1 | |
| 22 | M810006 | SPRING | 1 | |
| 23 | M811957 | HOOK | 1 | |
| 24 | 12M7064 | LOCK WASHER | 2 | 5 mm |
| 25 | T114124 | BOLT | 2 | |
| 26 | M89161 | RETAINER | 1 | |
| 27 | M88661 | SCREW | 1 | |
| 28 | M807207 | SNAP RING | 1 | |
| 29 | M801785 | O-RING | 1 | |
| 30 | M1A881493 | WEIGHT | 1 | INCLUDES (3) MIU801493 AND M811931 |
| 31 | CH10570 | O-RING | 1 | |
| 32 | MIU800110 | CAP | 1 | |
| 33 | MIU800815 | NUT | 1 | |
| 34 | M801336 | BOLT | 1 | |
| 35 | MIU800620 | O-RING | 1 | |