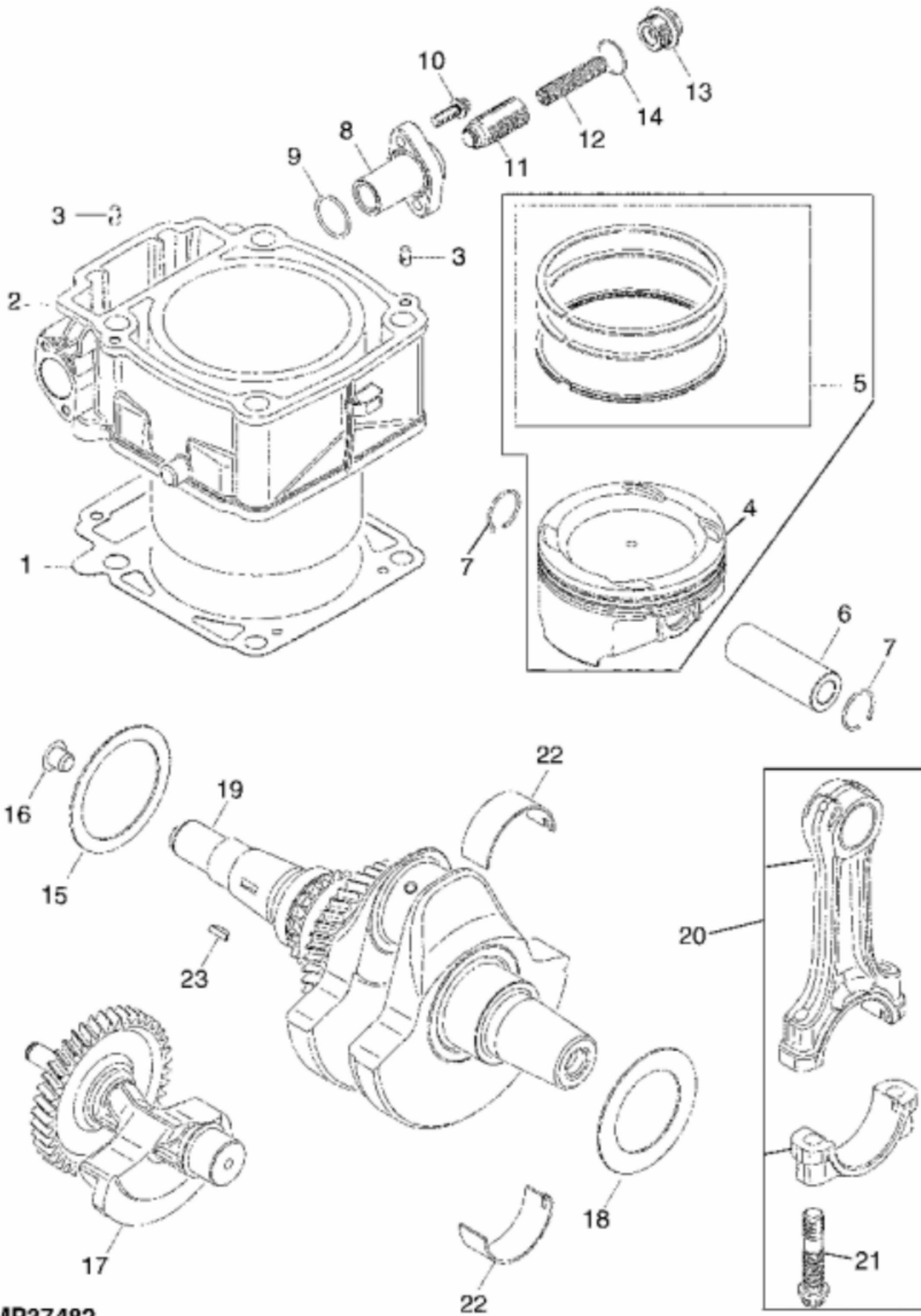
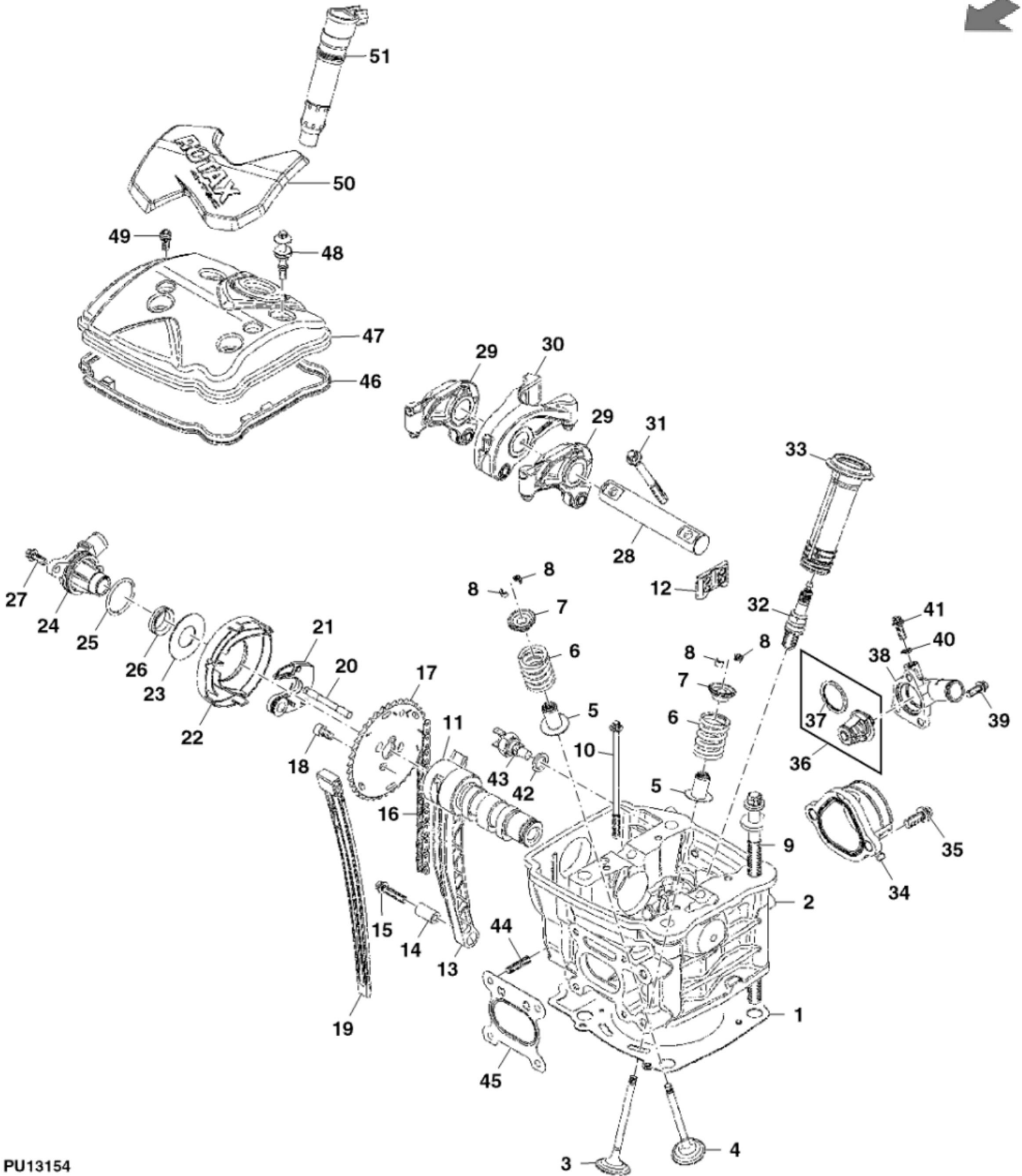


KEY	PART NO.	PART NAME	QTY	REMARKS
1	C420296652	CRANKCASE	1	
2	C420632010	PIN	4	
3	C420929650	PIN	2	
4	C420440322	SCREW	4	M6 X 45
5	C420933492	BEARING	1	
6	C420933495	BEARING	1	
7	C420233740	BEARING	1	
8	C420233745	BEARING	1	
9	C420630152	SEAL	1	
10	C420632200	BALL BEARING	1	
11	C420932825	BALL BEARING	2	
12	C420241526	SCREW	1	M6 X 16
13	C420950089	SEAL	1	SUB FOR C420950087
14	C420832240	NEEDLE BEARING	1	
15	C420232085	NEEDLE BEARING	1	
16	C420632290	BALL BEARING	1	
17	C420932432	BALL BEARING	1	
18	C420930392	SEAL	1	
19	C420650310	SEAL	1	
20	C420250450	SEAL	1	
21	C420850902	O-RING	1	(SUB FOR C420850900)
22	C420440342	SCREW	2	M6 X 85
23	C420440322	SCREW	13	M6 X 45
24	C420440412	SCREW	2	M8 X 90
25	C420440372	SCREW	1	M8 X 25
26	C420950141	RING	1	
27	C420630180	GASKET	1	
28	C420950180	O-RING	1	



MP37482

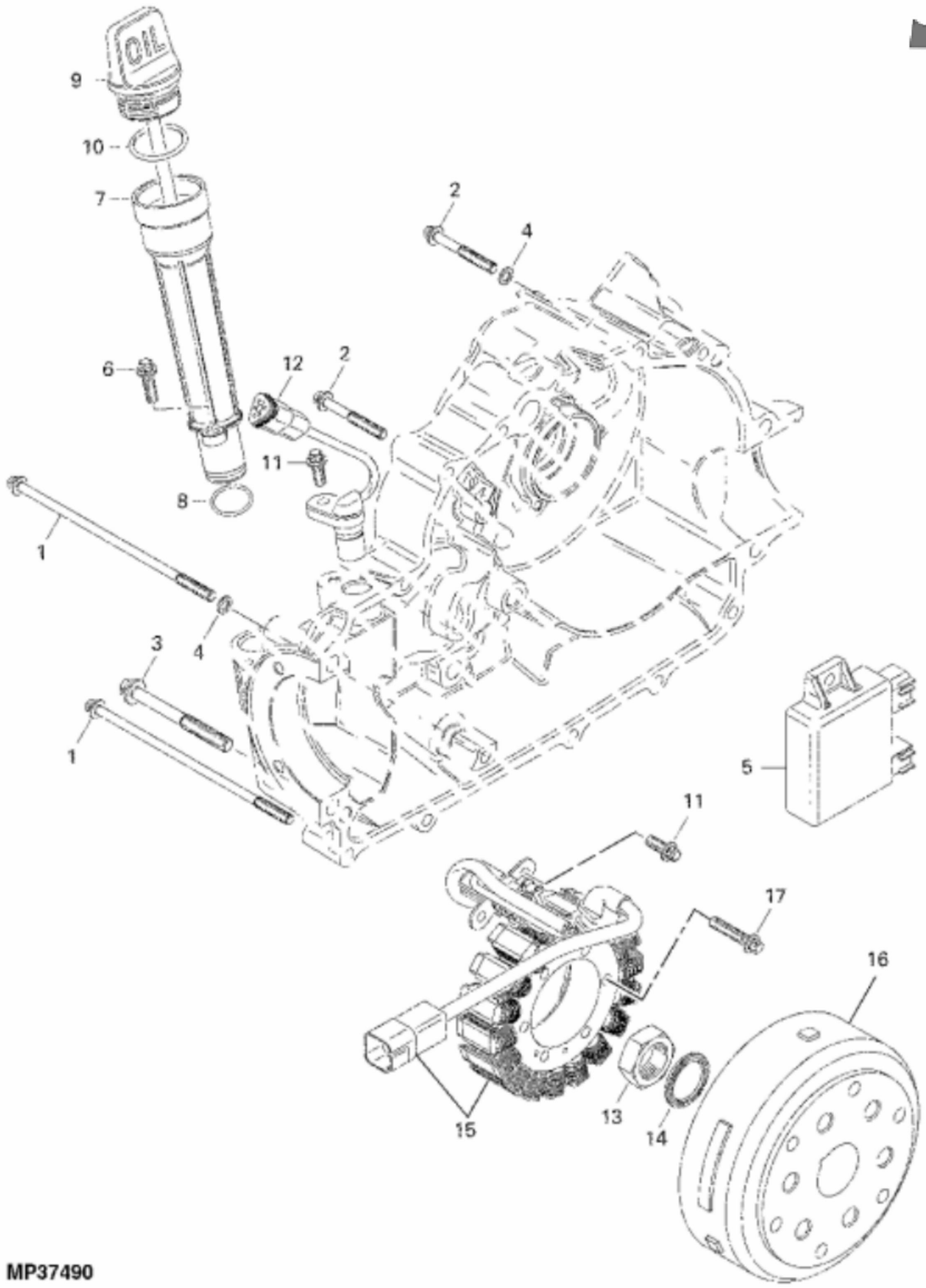
KEY	PART NO.	PART NAME	QTY	REMARKS
1	C420630080	GASKET	1	CYLINDER
2	C420923947	CYLINDER	1	
3	C420929650	PIN	2	
4	C420296565	PISTON	1	500
4	C420890085	PISTON	1	650, (SN -6059518) (STAMPED 47B) (SUB C420890082)
4	C420890082	PISTON	1	650, (SN 6059519-) (STAMPED 47C) (INCLUDES C420891124 RINGS)
5	C420890380	PISTON RING KIT	1	500
5	C420890380	PISTON RING KIT	1	650, (SN -6059518) (USE WITH PISTONS STAMPED 47B ON FACE)
5	C420891124	PISTON RING KIT	1	650, (SN 6059519-) (USE WITH PISTONS STAMPED 47C ON FACE)
6	C420216250	PISTON PIN	1	
7	C420845580	CLIP	2	
8	C420236510	HOUSING	1	
9	C420430370	O-RING	2	
10	C420440232	SCREW	4	M6 X 25
11	C420236520	PLUNGER	1	
12	C420238120	SPRING	1	
13	C420641150	PLUG	1	
14	C420250890	O-RING	1	
15	C420627502	SHIM	1	
16	C420660300	PLUG	1	
17	C420220785	BALANCER	1	
18	C420627363	SHIM	1	(SUB FOR C420627362)
19	C420296867	CRANKSHAFT	1	500
19	C420296644	CRANKSHAFT	1	650
20	C420917546	CONNECTING ROD	1	500, SUB FOR C420917545
20	C420917525	CONNECTING ROD	1	650
21	C420640990	SCREW	2	
22	C420933520	BEARING	2	NLA; ORDER C420933523
22	C420933523	BEARING	2	
23	C420246570	SHAFT KEY	1	
..	C420684122	GASKET KIT	1	ENGINE, (SUB FOR C420684120)



PU13154

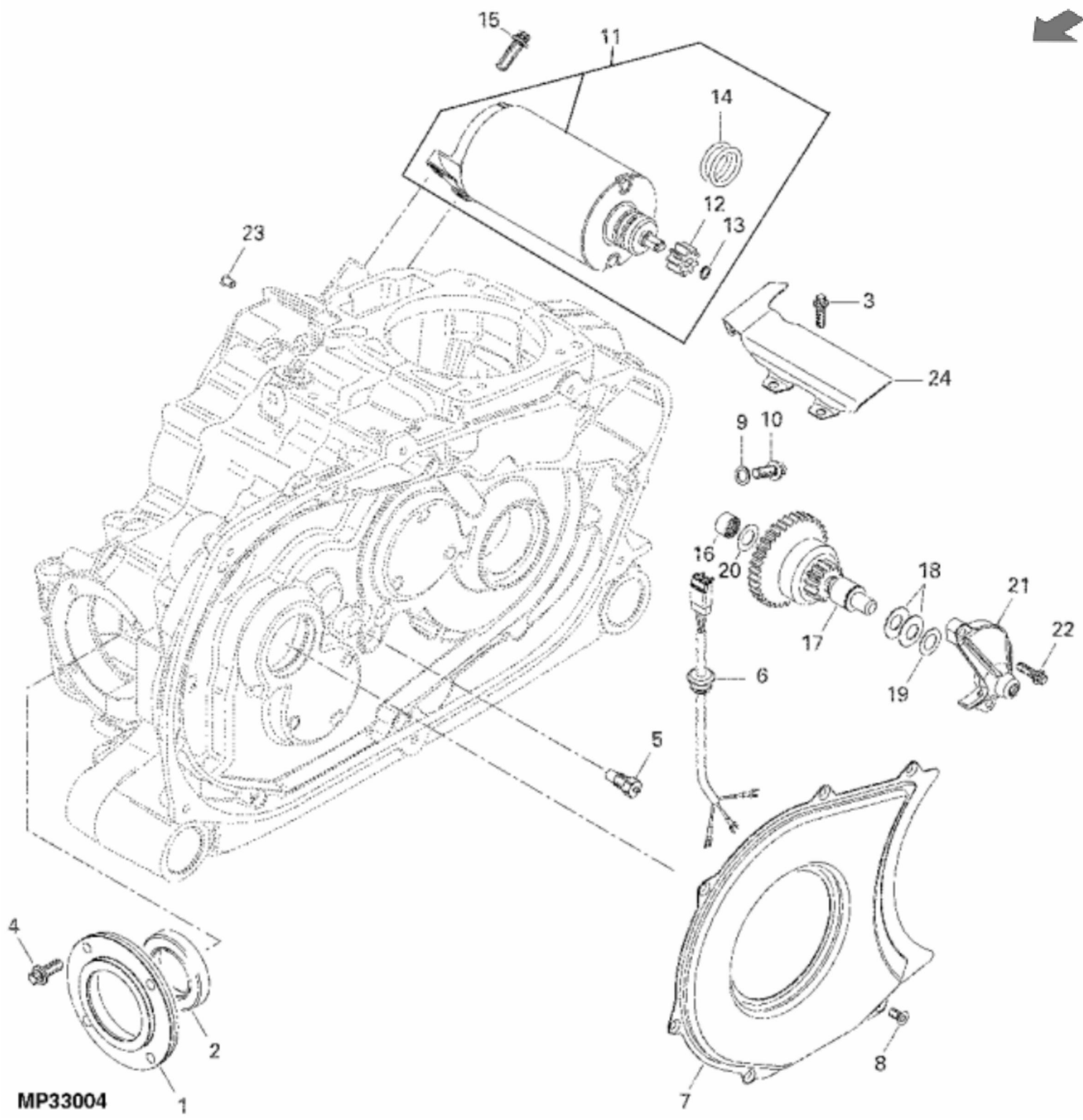
KEY	PART NO.	PART NAME	QTY	REMARKS
1	C420950660	GASKET	1	Cylinder Head
2	C420613477	CYLINDER HEAD	1	
3	C420254294	INTAKE VALVE	2	SUB FORC420254293 OR C420254290
4	C420254027	EXHAUST VALVE	2	
5	C420630200	SEAL	4	
6	C420238180	SPRING	4	
7	C420254283	HOLDER	4	SUB FOR C420254280 OR C420254281
8	C420253645	RETAINER	8	
9	C420641020	SCREW	4	
10	C420440612	SCREW	2	
11	C420220774	CAMSHAFT	1	650
11	C420220775	CAMSHAFT	1	500
12	C420851692	GUIDE	1	Camshaft
13	C420236541	TIGHTENER	1	SUB FOR C420236540
14	C420247100	SLEEVE	1	
15	C420440272	SCREW	1	M6 X 35, NLA; ORDER C420641258
15	C420641258	SCREW	1	
16	C420297957	ROLLER CHAIN	1	
17	C420254307	CHAIN SPROCKET	1	NLA; ORDER C420254308; SUB FOR C420254301
17	C420254308	CHAIN SPROCKET	1	
18	19M8618	SCREW	3	M6 X 12
19	C420236500	GUIDE	1	NLA; ORDER C420236501
19	C420236501	GUIDE	1	
20	C420220792	SHAFT	1	
21	C420231061	WEIGHT	1	
22	C420660034	COVER	1	
23	C420627494	THRUST WASHER	1	
24	C420610272	COVER	1	Camshaft
25	C420950872	O-RING	1	
26	C420630125	RING	1	
27	C420241751	BOLT	2	M6 X 16
28	C420854599	SHAFT	1	
29	C420254329	ROCKER ARM	2	SUB FOR C420254326 OR C420254328; Exhaust
30	C420254316	ROCKER ARM	1	SUB FOR C420254315; Intake

KEY	PART NO.	PART NAME	QTY	REMARKS
31	C420641080	SCREW	2	M8 X 72
32	M152222	SPARK PLUG	1	
33	C420851751	CAP	1	SUB FOR C420851750
34	C420267270	ADAPTER FITTING	1	Carburetor
35	C420440372	SCREW	1	M8 X 25
36	C420222495	THERMOSTAT	1	
37	C420650300	GASKET	1	
38	C420222660	HOUSING	1	Thermostat
39	C420440162	SCREW	1	M6 X 16
40	C404146600	WASHER	1	
41	C420440162	SCREW	1	M6 X 16
42	C420250640	GASKET	1	
43	C420897938	SENSOR	1	SUB FOR C420897939; Temperature
44	C420240010	STUD	4	
45	C420950680	GASKET	1	
46	C420630071	RING	1	
47	C420610185	COVER	1	Valve
48	C420440560	SCREW	4	M6 X 30.5, SUB FOR C420440307
49	C420641488	SCREW	2	M6 X 10, SUB FOR C420641483
50	C707000360	VALVE COVER	1	
51	C420664025	FIELD WINDING COIL	1	Ignition
52	C420852286	PULLEY	1	(Not Illustrated)
53	C420852305	PAWL	1	(Not Illustrated)
54	C420860950	RING	1	(Not Illustrated)



MP37490

KEY	PART NO.	PART NAME	QTY	REMARKS
1	C420440982	SCREW	6	M6 X 130
2	SCREW	2	M6 X 45
3	C420440402	SCREW	4	M8 X 65
4	C404146600	WASHER	2	
5	C420265820	MODULE	1	Electronic Control
6	C420440232	SCREW	1	M6 X 25
7	C420956981	OIL TUBE	1	SUB FOR C420956980
8	C420630430	O-RING	2	
9	C420956895	DIPSTICK	1	
10	PMH2121	O-RING	1	
11	C420440162	SCREW	3	M6 X 16
12	C707000745	SENSOR	1	ORDER C715900314; Speed
12	C420265621	SENSOR	1	SUB FOR C715900314
13	C420242950	NUT	1	
14	C420845510	WASHER	1	
15	C420296325	STATOR	1	
16	C420296332	ROTOR	1	
17	C420440272	SCREW	3	ORDER C420641258
17	C420641258	SCREW	3	



KEY	PART NO.	PART NAME	QTY	REMARKS
1	C420610243	COVER	1	
2	C420650682	SEAL	1	
3	C420440162	SCREW	2	M6 X 16
4	C420440372	SCREW	4	M8 X 25
5	C420241856	SCREW	4	
6	C420265831	WIRING HARNESS	1	
7	C420610263	GUIDE	1	AIR
8	C420241465	SCREW	6	M6 X 12
9	C420950141	RING	1	
10	C420440372	SCREW	1	M8 X 25
11	C420888991	STARTER MOTOR	1	
12	C420834521	GEAR	1	NLA; ORDER C420834522
12	C420834522	GEAR	1	
13	C420845600	SNAP RING	1	
14	C420250300	O-RING	2	
15	C420440232	SCREW	2	M6 X 25
16	C420232480	NEEDLE BEARING	1	
17	C703500286	STARTER MOTOR DRIVE	1	
18	C420238300	SPRING WASHER	2	
19	C420827261	WASHER	1	
20	C420227450	WASHER	1	
21	C420610376	COVER	1	
22	19M8505	SCREW	2	M6 X 25
23	C420860245	PLUG	4	
24	C420251240	DEFLECTOR	1	HEAT
..	C420664710	BRUSH SET	1	
..	C703500196	KIT	1	RECOIL STARTER (OPTIONAL)

Please write to us.

Our email:

aservicemanualpdf@yahoo.com

**Please go to the homepage
to get the full manual, or
other brand PDF manuals.**

Home Site:

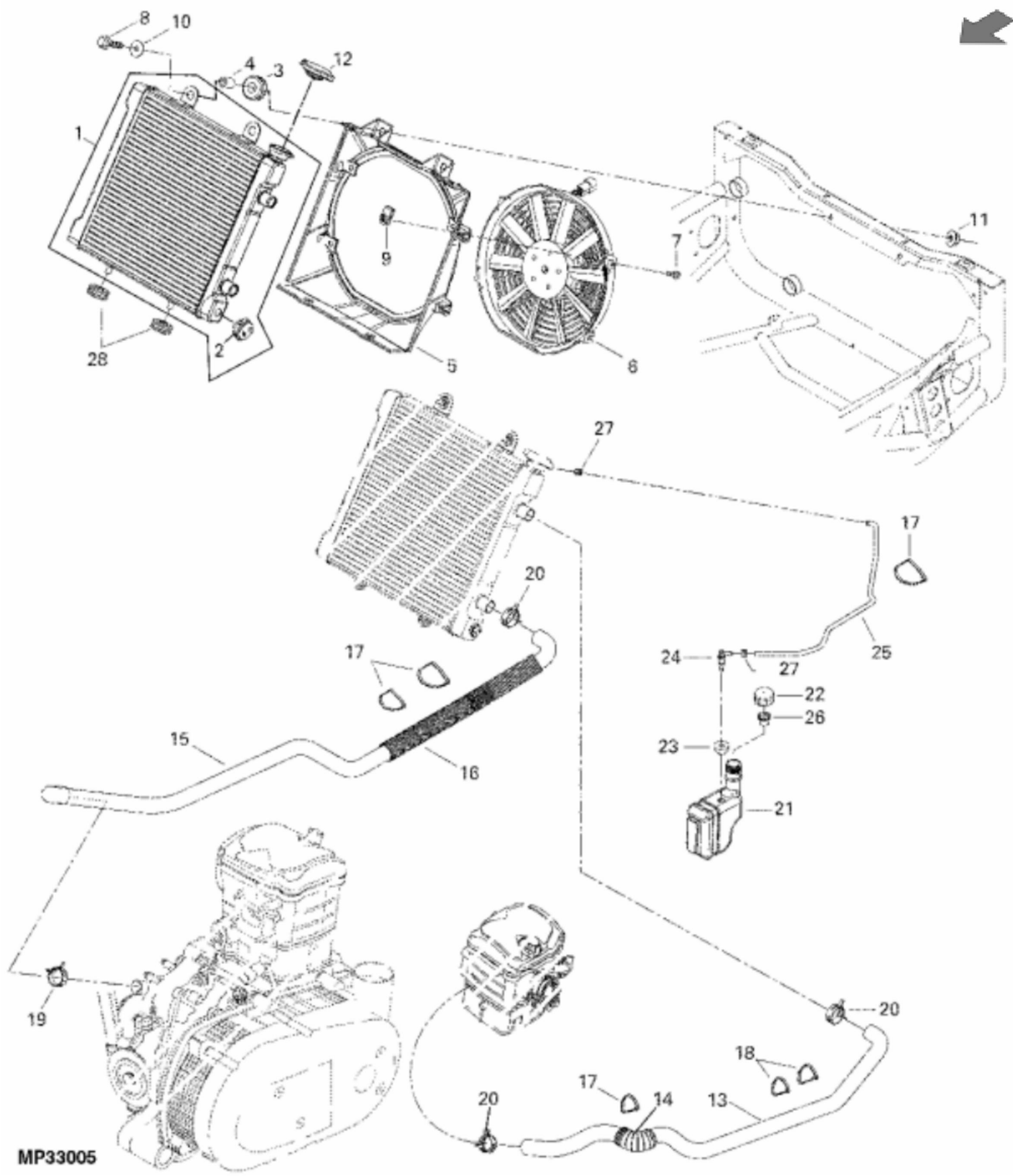
aservicemanualpdf.com

**Thank you very much for
your reading. Please Click
Here. Then Get COMPLETE
MANUAL. NO WAITING**



NOTE:

**If there is no response to
click on the link above,
please download the PDF
document first and then
click on it.**



KEY	PART NO.	PART NAME	QTY	REMARKS
1	C709200109	RADIATOR	1	
2	C715900095	SENDER	1	(SUB FOR C709200089), TEMPERATURE
3	N30256	GROMMET	2	
4	C293900019	BUSHING	2	
5	C709200111	SHROUD	1	
6	C709200112	FAN	1	
7	C207562034	SCREW	4	SUB FOR C207562044
8	19M7796	SCREW	2	M6 X 30
9	R151387	NUT	4	
10	24M7139	WASHER	2	6.400 X 18 X 1.600 mm
11	14M7397	LOCK NUT	2	M6
12	C709200033	CAP	1	NLA; ORDER C709200207
12	C709200207	CAP	1	
13	C709200047	HOSE	1	RADIATOR INLET STD AND EX
13	C709200093	HOSE	1	RADIATOR INLET EXT
14	C709200031	SHIELD	1	
15	C709200048	HOSE	1	RADIATOR OUTLET
16	C709200032	SHIELD	1	
17	R44302	TIE BAND	4	
18	M73027	TIE BAND	2	
19	C293650108	CLAMP	1	
20	TY22465	HOSE CLAMP	3	
21	C709200099	TANK	1	
22	C709200009	CAP	1	
23	C570135100	GROMMET	1	
24	C414580600	FITTING	1	
25	HOSE	1	(CUT FROM PMK2812-0305)
26	C709200205	CAP	1	(SUB FOR C709200034)
27	N190220	HOSE CLAMP	2	
28	C709200115	PLUG	2	