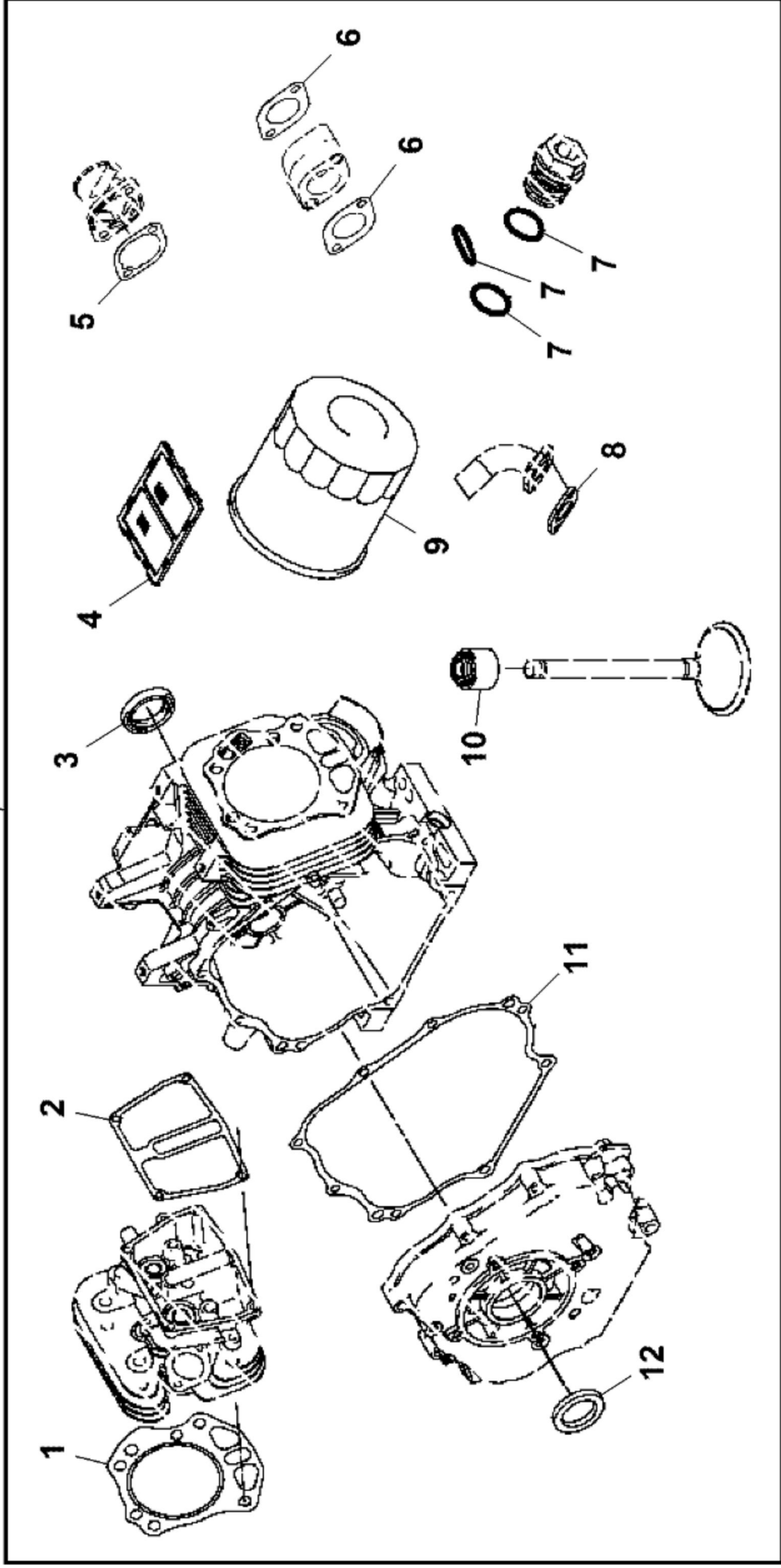


PU12739

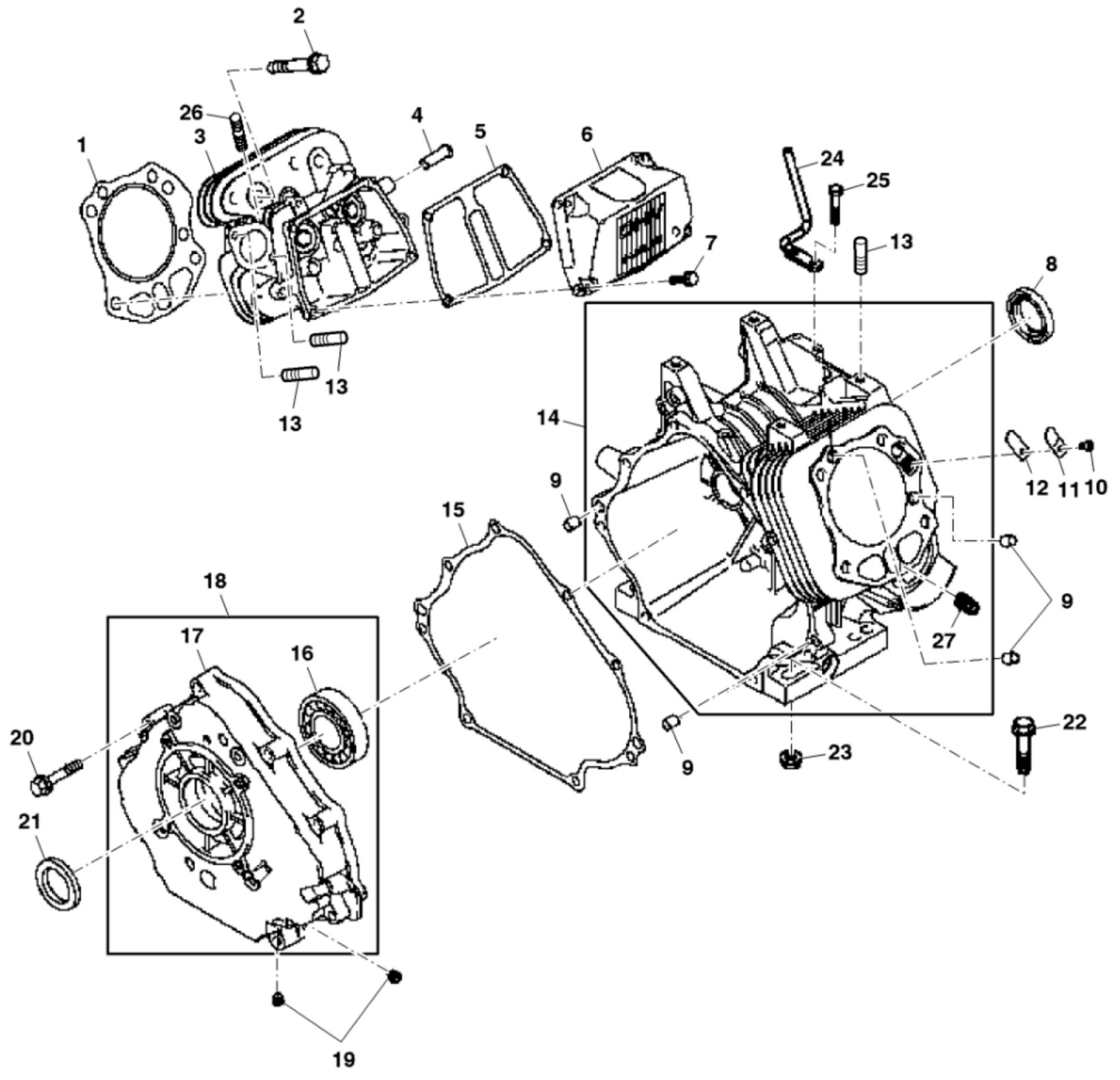
KEY	PART NO.	PART NAME	QTY	Serial No.	REMARKS
1	AM132912	GASOLINE ENGINE	1	____-002704	(MARKED FJ400D-AS05) (SUB MIA11310)
1	MIA10578	GASOLINE ENGINE	1	002705-010273	(MARKED FJ400D-BS05) (SUB MIA11310)
1	MIA11310	GASOLINE ENGINE	1	010274-060000	(MARKED FJ400D-CS05) (SUB MIA12011)
1	MIA10839	SHORT BLOCK ASSEMBLY	1		ORDER MIA12842
1	MIA12842	SHORT BLOCK ASSEMBLY	1		
1	MIA12011	GASOLINE ENGINE	1	060001-_____	NLA; ORDER MIA12416; MARKED FJ400D-DS05
1	MIA12416	GASOLINE ENGINE	1		NLA; ORDER MIA12647; MARKED FJ400D-ES05R
1	MIA13055	GASOLINE ENGINE	1		MARKED FJ400D-GS05R; SUB FOR MIA12647

13



PU17073

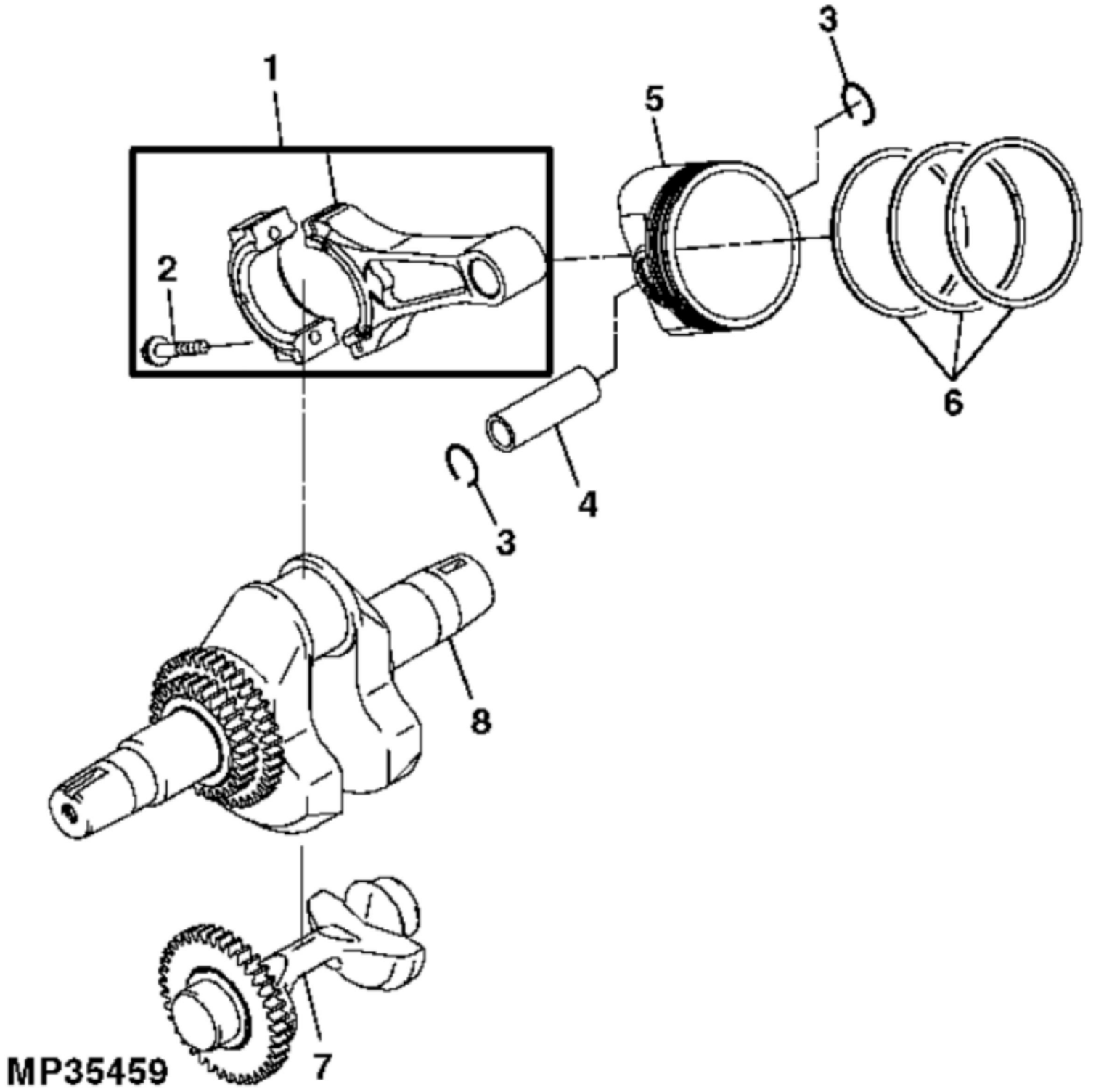
KEY	PART NO.	PART NAME	QTY	REMARKS
1	M152948	ENGINE CYLINDER HEAD GASKET	1	
2	M152951	GASKET	1	VALVE COVER
3	M149281	SEAL	1	
4	M146886	SCREEN	1	OIL
5	M152981	GASKET	1	CHOKE
6	M152987	GASKET	2	CARBURETOR
7	M88478	O-RING	3	
8	M136651	GASKET	1	EXHAUST
9	AM107423	OIL FILTER	1	
10	M152964	SEAL	2	
11	M152950	GASKET	1	NLA; ORDER MIU13937
11	MIU13937	GASKET	1	
12	M152954	SEAL	1	
13	AM134947	GASKET KIT	1	



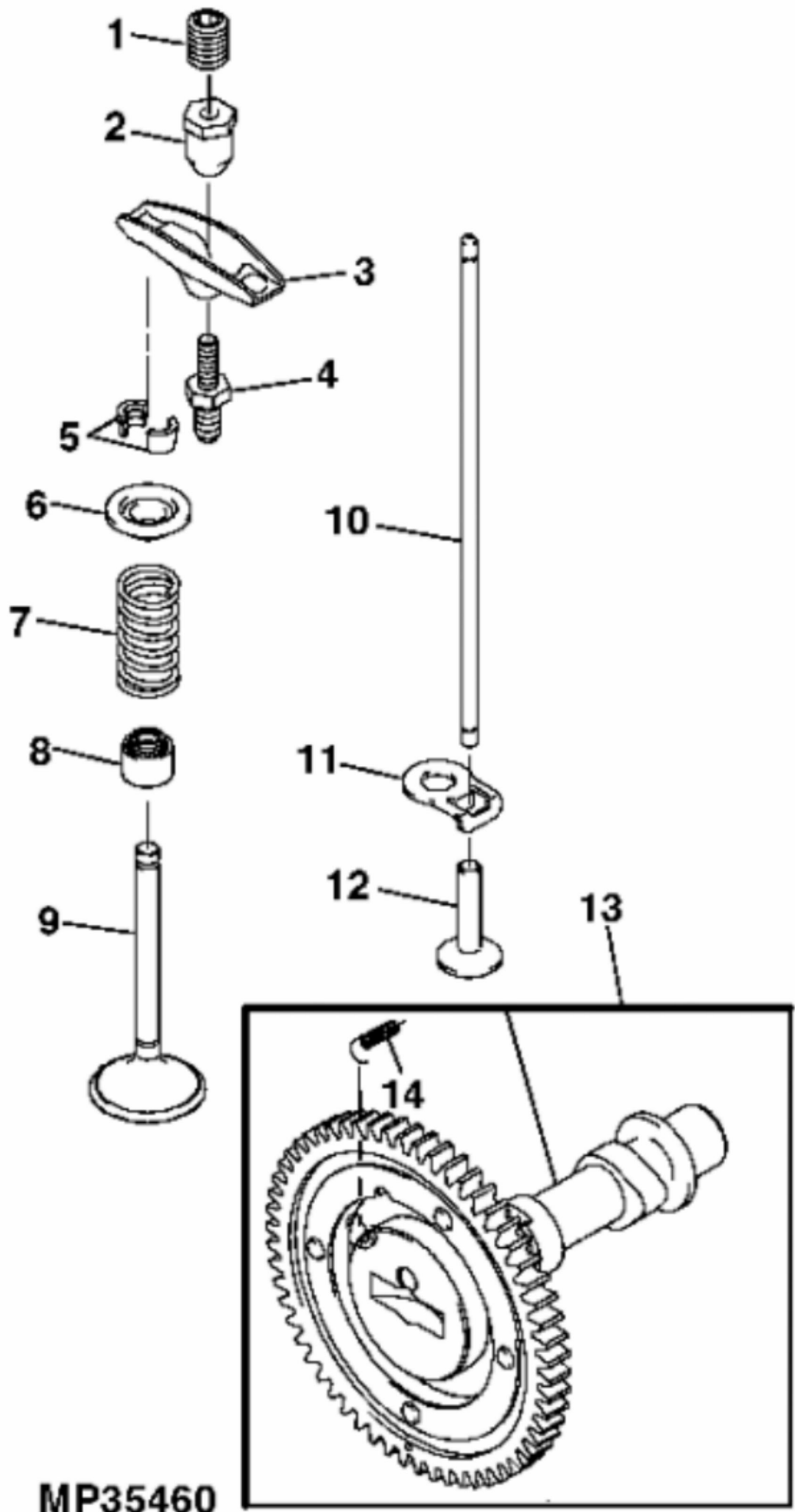
PU17081

KEY	PART NO.	PART NAME	QTY	Serial No.	REMARKS
1	M152948	ENGINE CYLINDER HEAD GASKET	1		
2	M94235	BOLT	4		ORDER MIU12209
2	MIU12209	BOLT	4		
3	MIA11569	CYLINDER HEAD	1		SUB FOR AM134930
4	M152952	PIPE	1		
5	M152951	GASKET	1		VALVE COVER
6	MIU12483	VALVE COVER	1		SUB FOR M152949
7	19M7863	SCREW	4		M6 X 25
8	M149281	SEAL	1		
9	M138388	PIN	4		
10	M152955	SCREW	1		NLA; ORDER MIU14207
10	MIU14207	SCREW	1		
11	M76124	PLATE	1		
12	M76125	VALVE	1		
13	M138395	STUD	6		NLA; ORDER MIU12726
13	MIU12726	STUD	6		
14	AM134931	CRANKCASE	1		ORDER MIA10704; USE WITH AM132912
14	MIA10704	CRANKCASE	1		USE WITH AM132912
14	MIA10715	CRANKCASE	1		ORDER AUC11637 , INCLUDES M127431
14	AUC11637	CRANKCASE	1		INCLUDES MIU13767
15	M152950	GASKET	1		NLA; ORDER MIU13937
15	MIU13937	GASKET	1		
16	AM101062	BEARING	1		
17	COVER	1		
18	MIU11122	COVER	1		SUB FOR M152953
19	M147270	PLUG	2		NLA; ORDER MIU14001
19	MIU14001	PLUG	02		
20	19M8318	SCREW	8		M8 X 45
21	M152954	SEAL	1		
22	19M7835	SCREW	4		M10 X 35, Engine Mounting
23	14M7296	FLANGE NUT	4		M10, Engine Mounting
24	M156053	GUARD	1	003692-_____	
25	M113243	SCREW	2	003692-_____	
26	MIU11949	BOLT	4		SUB FOR M68144
27	M127431	ADAPTER FITTING	1		

KEY	PART NO.	PART NAME	QTY	Serial No.	REMARKS
27	MIU13767	ADAPTER FITTING	1		
28	M131313	CLIP	1		(Not Illustrated) SUB FOR M152979

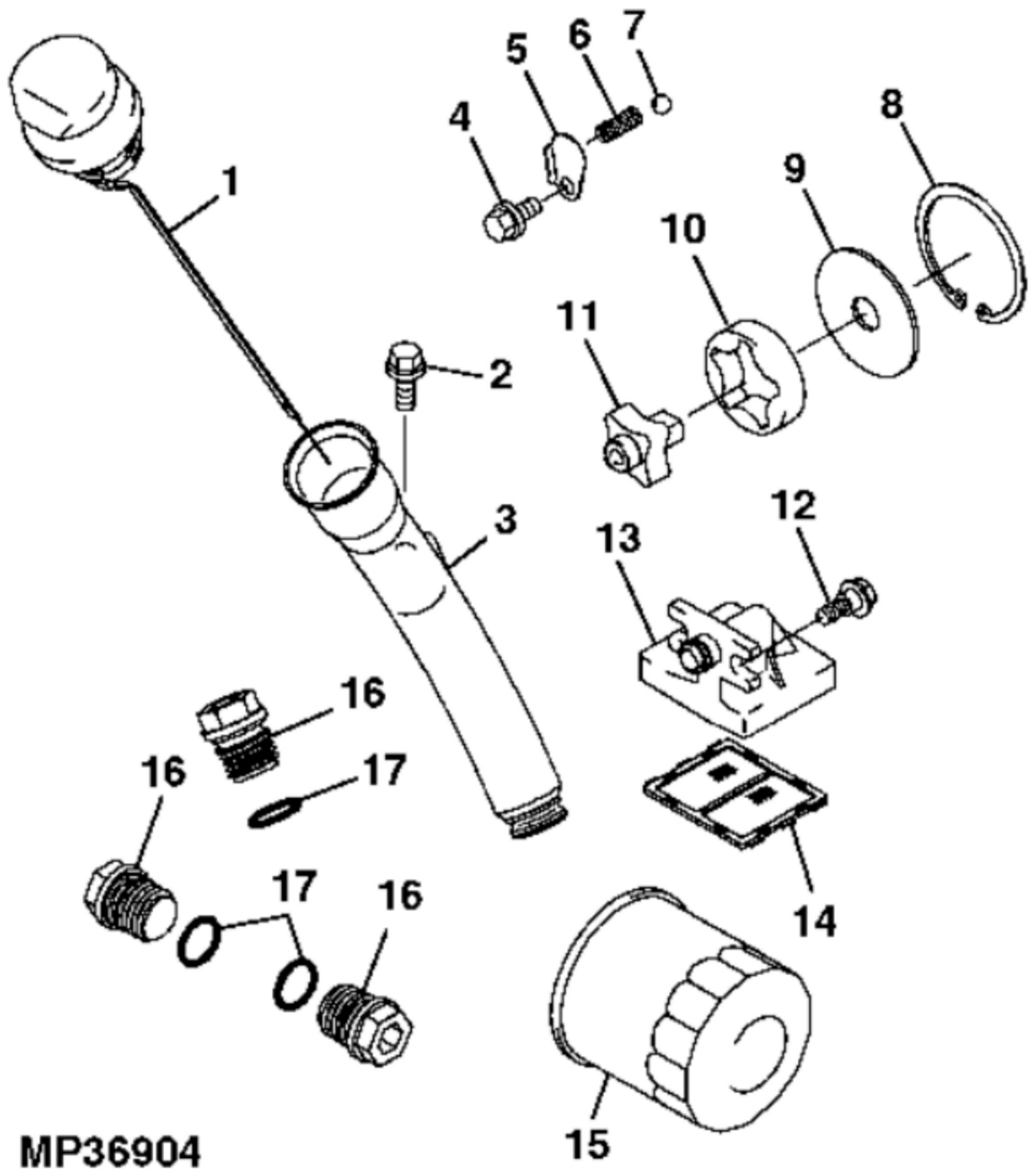


KEY	PART NO.	PART NAME	QTY	REMARKS
1	AM134935	CONNECTING ROD	1	NLA; ORDER MIA11977
1	MIA11977	CONNECTING ROD	1	NLA; ORDER MIA12633; Engine Marked FJ400D-DS05
1	MIA12633	CONNECTING ROD	1	
2	M146763	BOLT	2	
3	M70220	SNAP RING	2	
4	M152957	PISTON PIN	1	
5	M152956	PISTON	1	
6	AM134932	PISTON RING KIT	1	
7	AUC11017	BALANCER	1	SUB FOR AM134934
8	AM134933	CRANKSHAFT	1	



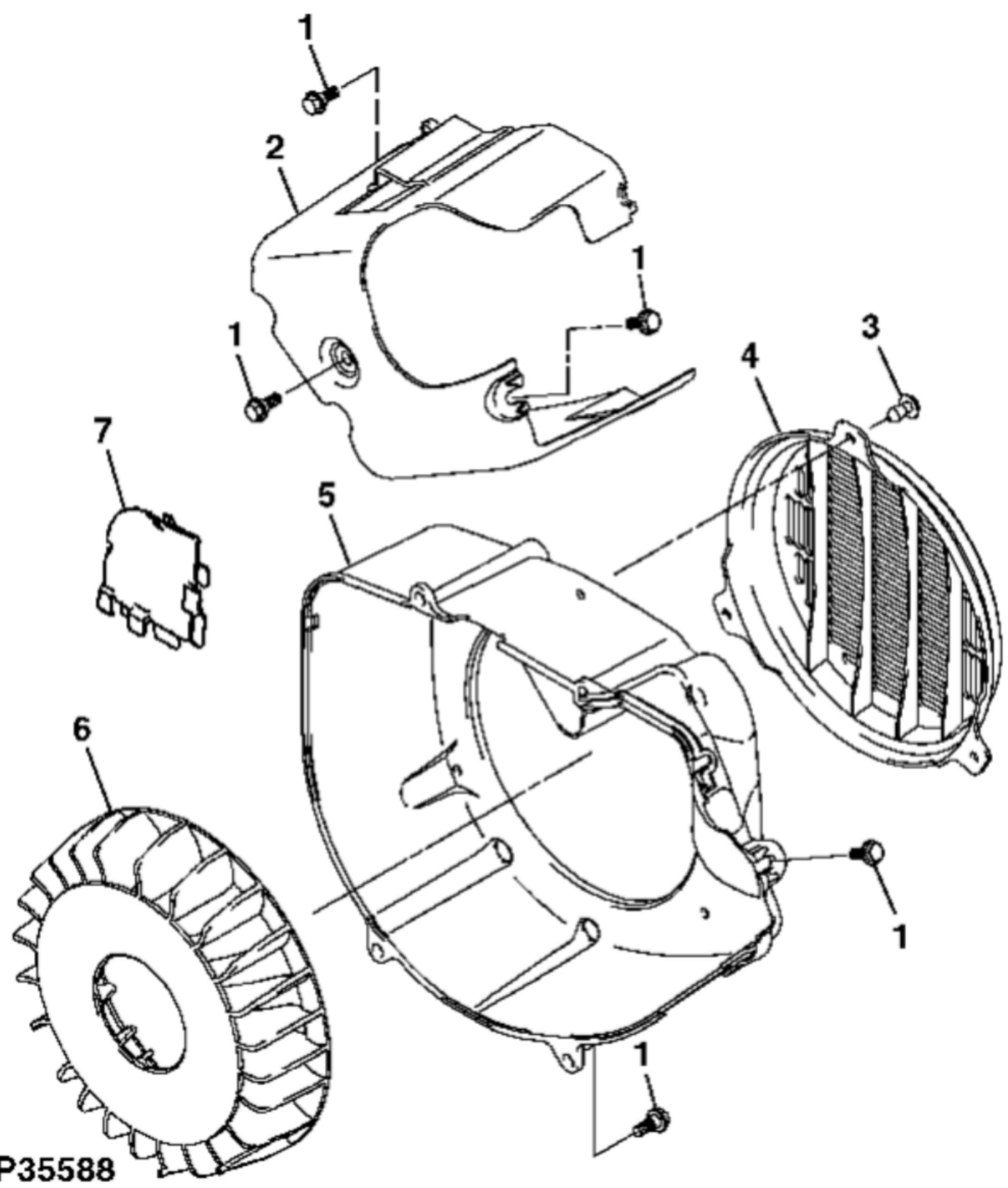
MP35460

KEY	PART NO.	PART NAME	QTY	REMARKS
1	M138410	SCREW	2	
2	M92891	NUT	2	(ENGINE MARKED FJ400D-AS05)
2	MIU11123	NUT	2	(ENGINE MARKED FJ400D-BS05, FJ400D-CS05)
3	M146876	ROCKER ARM	2	
4	M146881	BOLT	2	
5	AM132412	RETAINER KIT	2	VALVE COLLET
6	M152960	RETAINER	2	
7	M152963	SPRING	2	
8	M152964	SEAL	2	
9	M152958	INTAKE VALVE	1	
9	MIU12703	EXHAUST VALVE	1	(SUB FOR M152959)
10	M152962	PUSH ROD	2	
11	M152961	GUIDE	2	PUSH ROD
12	M138403	TAPPET	2	
13	M1A13171	CAMSHAFT	1	SUB FOR AM134936; Complete
14	M138413	EXTENSION SPRING	1	



MP36904

KEY	PART NO.	PART NAME	QTY	REMARKS
1	M152967	DIPSTICK	1	
2	19M7775	SCREW	1	M6 X 16
2	12M7081	LOCK WASHER	1	6.400 mm, (MARKED FJ400D-CS05)
3	M152968	FILLER NECK	1	
4	19M7774	SCREW	1	M6 X 12
5	M152965	PLATE	1	
6	M152971	SPRING	1	
7	M152970	BALL	1	
8	M152969	SNAP RING	1	
9	M152966	COVER	1	
10	M76141	ROTOR	1	
11	AM134937	OIL PUMP	1	
12	M148369	SCREW	2	
13	M146885	PIPE	1	
14	M146886	SCREEN	1	
15	AM107423	OIL FILTER	1	
16	M138425	PLUG	3	
17	M88478	O-RING	3	

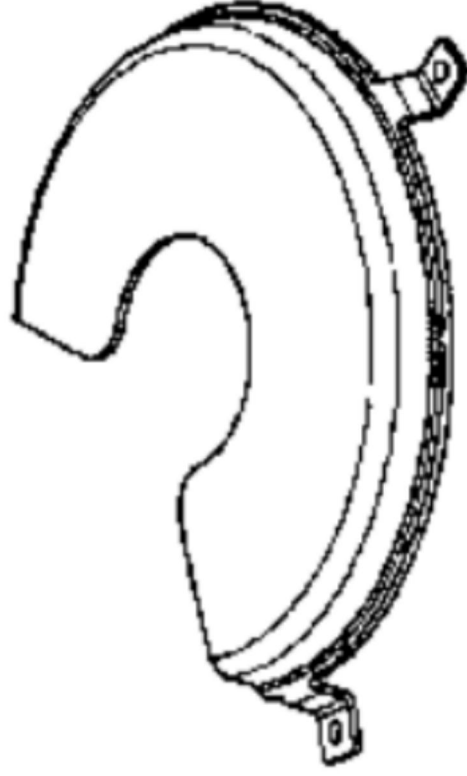


MP35588

KEY	PART NO.	PART NAME	QTY	REMARKS
1	M148369	SCREW	8	
2	MIU11506	SHROUD	1	(SUB FOR M152972)
3	MIU14466	RIVET	3	SUB FOR M152975
4	M152973	GUARD	1	
5	M152974	HOUSING	1	
6	MIU11268	FAN	1	NLA; ORDER MIU13857
6	MIU13857	FAN	1	
7	M153026	COVER	1	

2

1



IMPORTANT

- To prevent any loss of energy, do not use cooling air restrictor when air temperature is exceeded by above 50° F (10° C)
- Replace cooling air restrictor when air temperature is exceeded by below 40° F (4° C)

IMPORTANT

- Pour éviter d'indommager le moteur, Eviter le restricteur d'air de refroidissement lorsque l'air ambiant dépasse d'ordinaire une température de 10° C (50° F)
- Remettez le restricteur d'air de refroidissement en place lorsque l'air ambiant est généralement de moins de 4° C (40° F)

MP41939

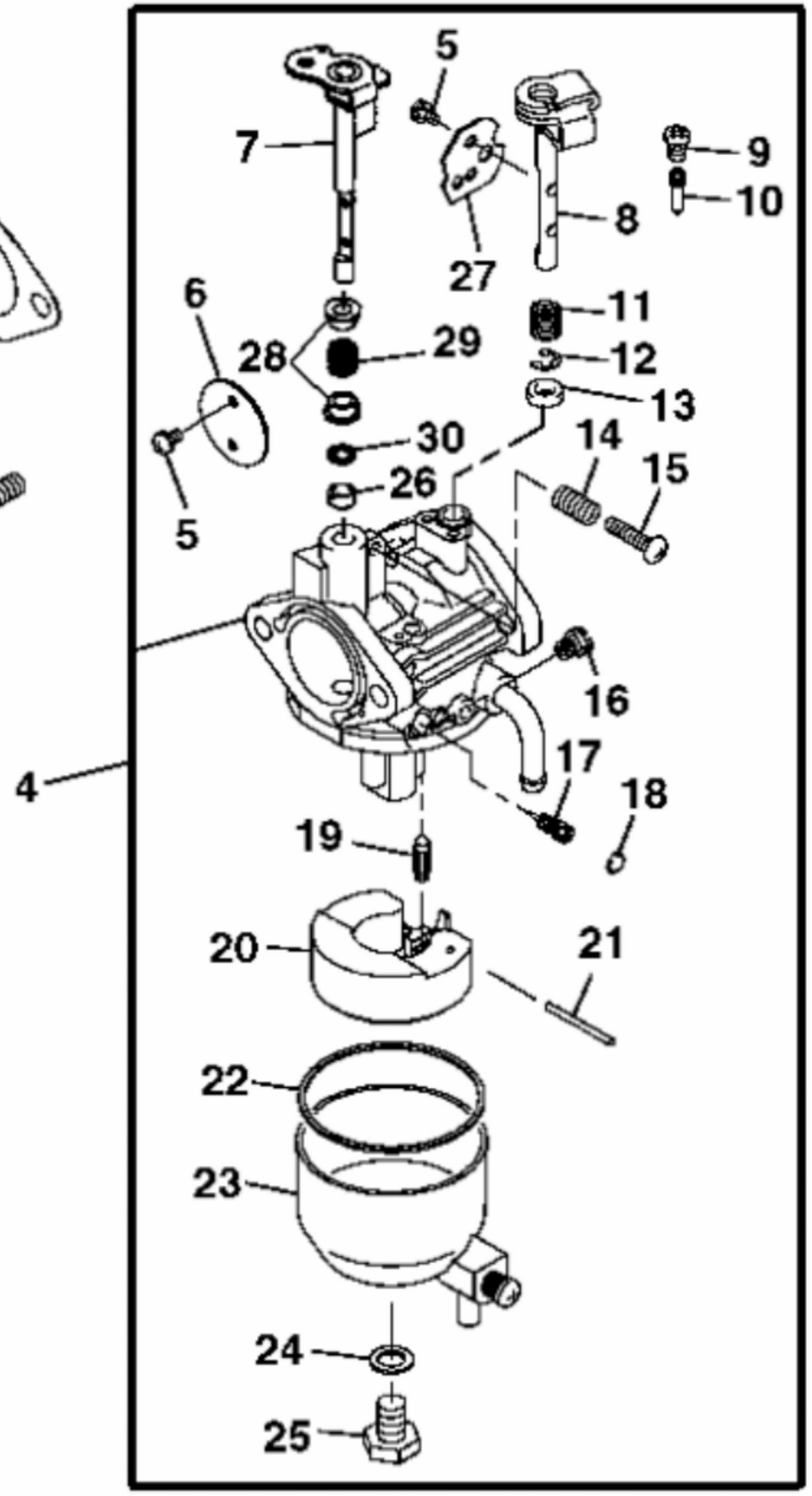
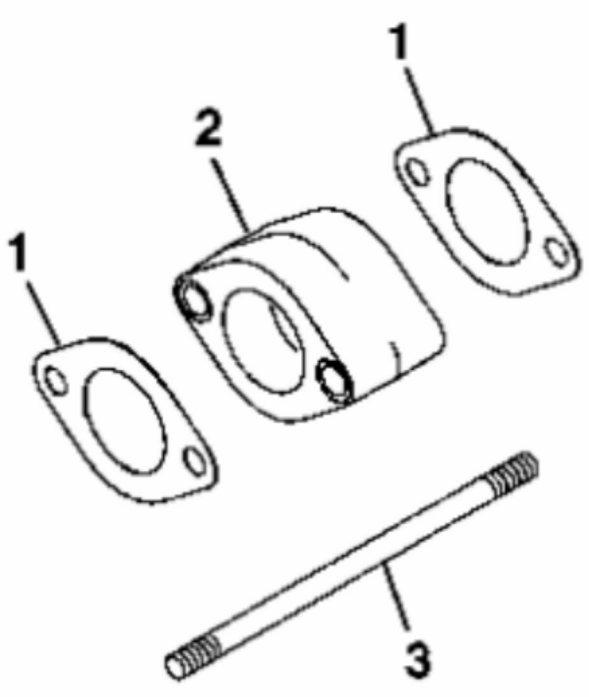
KEY	PART NO.	PART NAME	QTY	REMARKS
1	M159527	LABEL	1	
2	BM22889	KIT	1	FLYWHEEL COVER

1



MX293450

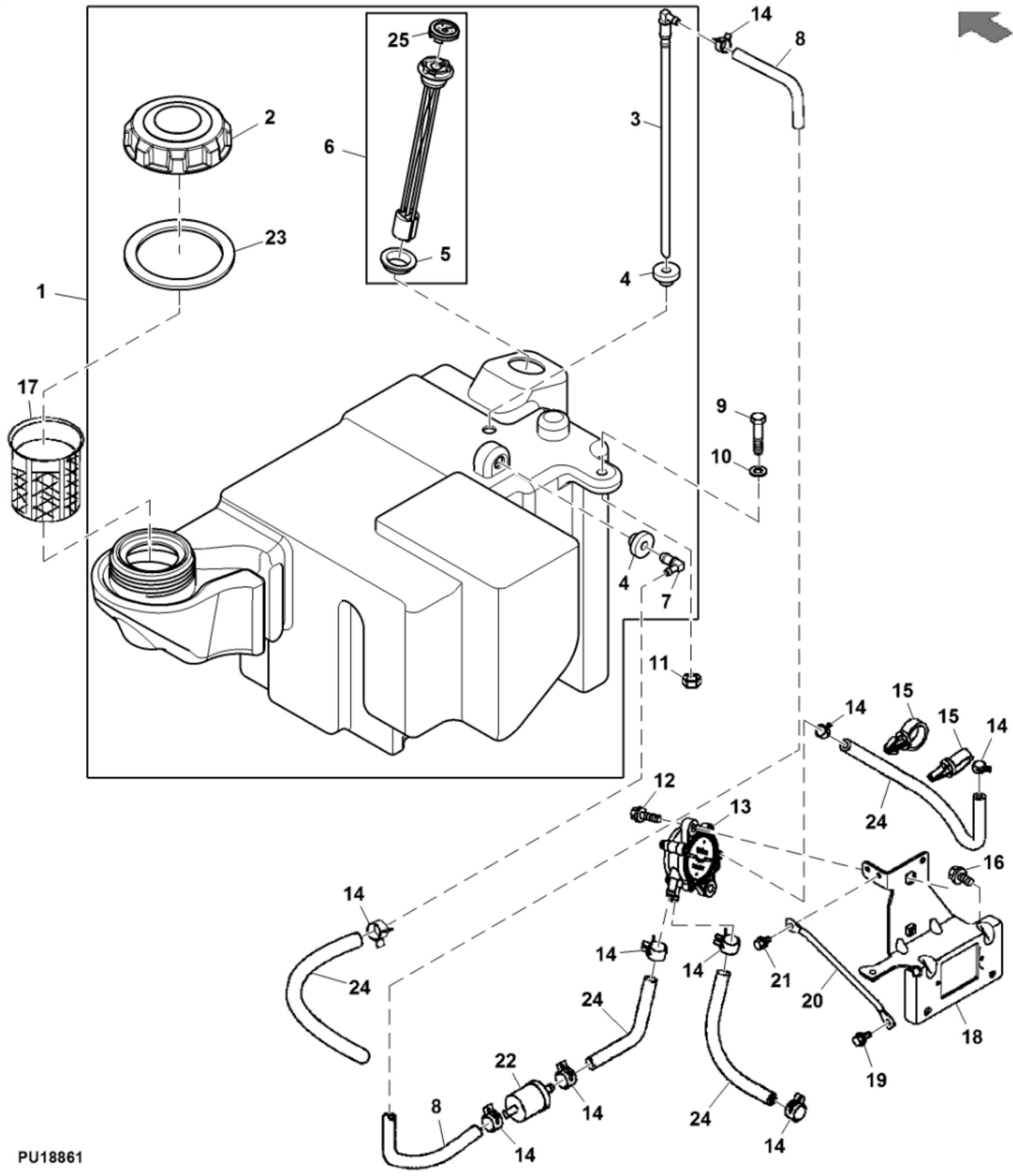
KEY	PART NO.	PART NAME	QTY	REMARKS
1	LG258	KIT	1	HOME MAINTENANCE (SEE FOOTNOTE BELOW)



MP35585

KEY	PART NO.	PART NAME	QTY	REMARKS
1	M152987	GASKET	2	
2	M152996	INSULATOR	1	
3	M140293	STUD	2	ORDER MIU11740
3	MIU11740	BOLT	2	
4	AM134951	CARBURETOR	1	MARKED FJ400D-AS05; ORDER MIA10716
4	MIA10716	CARBURETOR	1	
4	AUC10940	CARBURETOR	1	SUB FOR MIA11660
5	M152999	SCREW	4	
6	M152991	VALVE	1	Throttle
7	M153022	SHAFT	1	Throttle
8	M152995	SHAFT	1	Choke
9	M153003	PLUG	1	
10	M152998	JET	1	Idle (NO. 50)
11	M153004	SPRING	1	
12	M153000	SNAP RING	1	
13	M152990	CAP	1	
14	M153005	SPRING	1	
15	M153006	SCREW	1	
16	M144822	JET	1	(0-1000 M) (0-3280 FT), Main (NO.110)
16	M146914	JET	1	(1000 M-2000 M) (3280 FT-6561 FT), Main (NO.108)
16	M140283	JET	1	(2000 M And Above) (6561 FT And Above), Main (NO. 106)
17	M140274	NEEDLE	1	USE WITH MIA11660
18	M140285	PLUG	1	
19	M152992	VALVE	1	Float
20	M152993	FLOAT	1	
21	M153001	PIN	1	
22	M152988	GASKET	1	
23	AM134943	CHAMBER	1	
24	M152989	GASKET	1	
25	M153002	PLUG	1	
26	M140286	SEAL	1	
27	M152997	VALVE	1	Choke
28	M153024	BUSHING	2	
29	M153023	SPRING	1	
30	M153025	WASHER	1	

KEY	PART NO.	PART NAME	QTY	REMARKS
31	AM134948	GASKET KIT	1	(Not Illustrated) INCLUDES (2) M152987, M152996, M152992, M152988, M152989 AND M140286



PU18861

KEY	PART NO.	PART NAME	QTY	REMARKS
1	AM145624	FUEL TANK	1	SUB FOR AM144916, VGA11003, AM136515 OR AM145623
2	VGA10167	FILLER CAP	1	INCLUDES M158068
3	M115597	TUBE	1	Fuel Pickup
4	M149638	BUSHING	2	USE WITH VGA11003
4	M132706	BUSHING	2	
5	M158485	BUSHING	1	USE WITH AM136515, AM144916 AND AM145623; SUB FOR APPL M149648
5	TCU22449	BUSHING	1	USE WITH AM145624
6	AM143170	LEVEL GAUGE	1	USE WITH AM136515, AM144916 AND AM145623; SUB FOR AM133922
6	AM145236	LEVEL GAUGE	1	USE WITH AM145624
7	M80357	ELBOW FITTING	1	
8	HOSE	AR	CTL 445 mm, MF M175325
9	19M7868	SCREW	1	M8 X 30
10	24H1822	WASHER	1	11/32" X 7/8" X 1/16"
11	14M7396	LOCK NUT	1	M8
12	19M7862	SCREW	2	M6 X 20
13	M153011	FUEL PUMP	1	
14	R56101	CLIP	10	
15	M117459	CLIP	2	
16	19M7865	SCREW	2	M8 X 16
17	M117464	STRAINER	1	
18	M153009	BRACKET	1	
19	19M7774	SCREW	1	M6 X 12
20	M153010	REINFORCEMENT	1	
21	M151349	BOLT	1	
22	AM116304	FUEL FILTER	1	MARKED FJ400D-DS05; SUB FOR M147272
22	MIU14022	FUEL FILTER	1	ORDER AM116304; MARKED FJ400D-ES05R
23	M158068	GASKET	1	
24	HOSE	AR	MF M175325
25	TCU24946	GAUGE	1	USE WITH AM145236

Please write to us.

Our email:

aservicemanualpdf@yahoo.com

**Please go to the homepage
to get the full manual, or
other brand PDF manuals.**

Home Site:

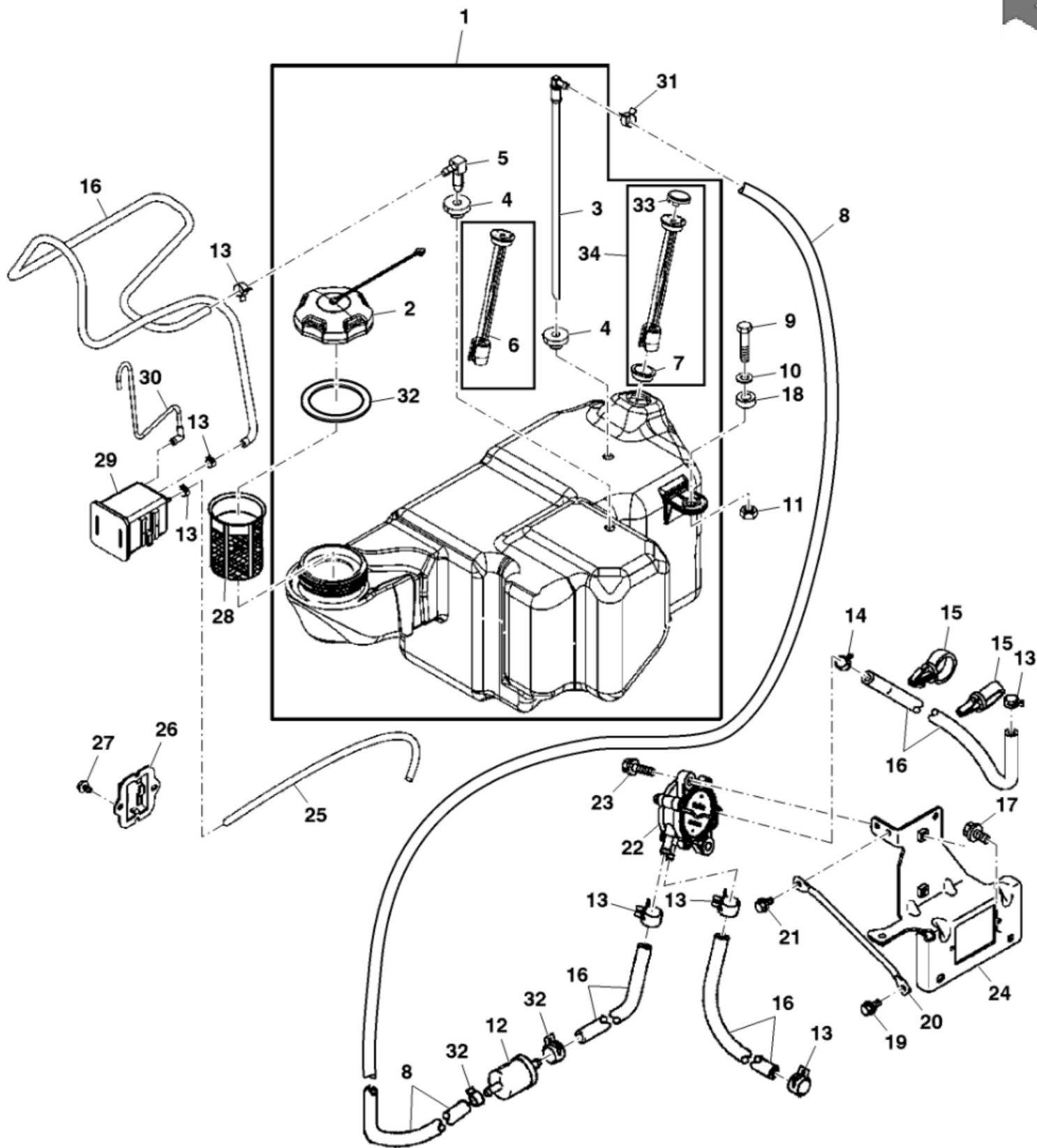
aservicemanualpdf.com

Thank you very much for your reading. Please Click Here. Then Get COMPLETE MANUAL. NO WAITING



NOTE:

If there is no response to click on the link above, please download the PDF document first and then click on it.



PU14607

KEY	PART NO.	PART NAME	QTY	Serial No.	REMARKS
1	AM136630	FUEL TANK	1	____-050000	(California)
1	AM138775	FUEL TANK	1	050001-____	(SUB AM141483) (California)
1	AM141483	FUEL TANK	1		ORDER AM145621
1	AM145622	FUEL TANK	1		SUB FOR AM145621; Rochest
2	AM141581	CAP	1		INCLUDES M158068; SUB FOR AM136873
3	M115597	TUBE	1		Pickup
4	M132706	BUSHING	2		
5	M80357	ELBOW FITTING	1		
6	AM133922	GAUGE	1		
7	M149648	BUSHING	1	____-050000	(California)
7	M158485	BUSHING	1	050001-____	(California)
7	M158485	BUSHING	1	060001-____	(49 STATE)
7	TCU22449	BUSHING	1	100001-____	USE WITH AM145622
8	HOSE	1		CTL 455 mm, MF M175325
9	19M7868	SCREW	1		M8 X 30
10	24H1822	WASHER	1		11/32" X 7/8" X 1/16"
11	14M7396	LOCK NUT	1		M8
12	AM116304	FUEL FILTER	1		MARKED FJ400D-DS05
12	MTU14022	FUEL FILTER	1		MARKED FJ400D-ES05R
13	TY22462	CLAMP	8		
14	R56101	CLIP	1		
15	M117459	CLIP	2		
16	HOSE	AR		MF M175325
16	TY22551	BULK HOSE	1		(Engine Marked FJ400D-DS05)
17	19M7865	SCREW	2		M8 X 16
18	M157862	SPACER	1		
19	19M7774	SCREW	1		M6 X 12
20	M153010	REINFORCEMENT	1		
21	M151349	BOLT	1		
22	M153011	FUEL INJECTION PUMP	1		
23	19M7862	SCREW	2		M6 X 20
24	M153009	BRACKET	1		
25	HOSE	AR		MF M175325; Air Filter
26	M157077	BRACKET	1		
27	37M7514	SCREW	2	____-070000	M8 X 16, SUB FOR N10218

KEY	PART NO.	PART NAME	QTY	Serial No.	REMARKS
27	M168846	SCREW	2	070001-_____	
28	M117464	STRAINER	1		
29	AM136895	RESERVOIR	1		
30	M156797	HOSE	1		
31	R56101	CLIP	3		
32	M158068	GASKET	1		
33	TCU24946	GAUGE	1	100001-_____	
34	AM145236	LEVEL GAUGE	1	100001-_____	USE WITH AM145622