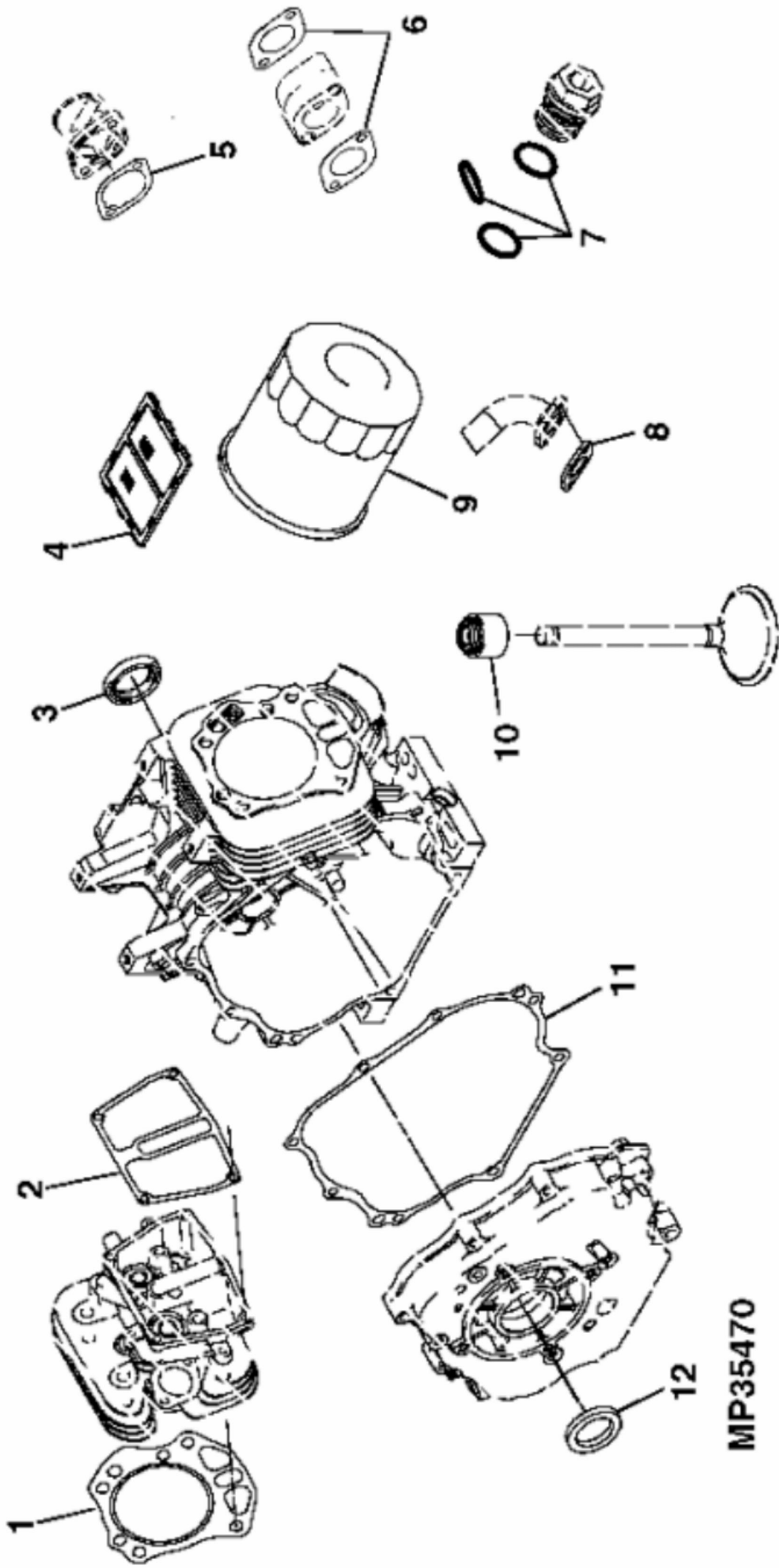


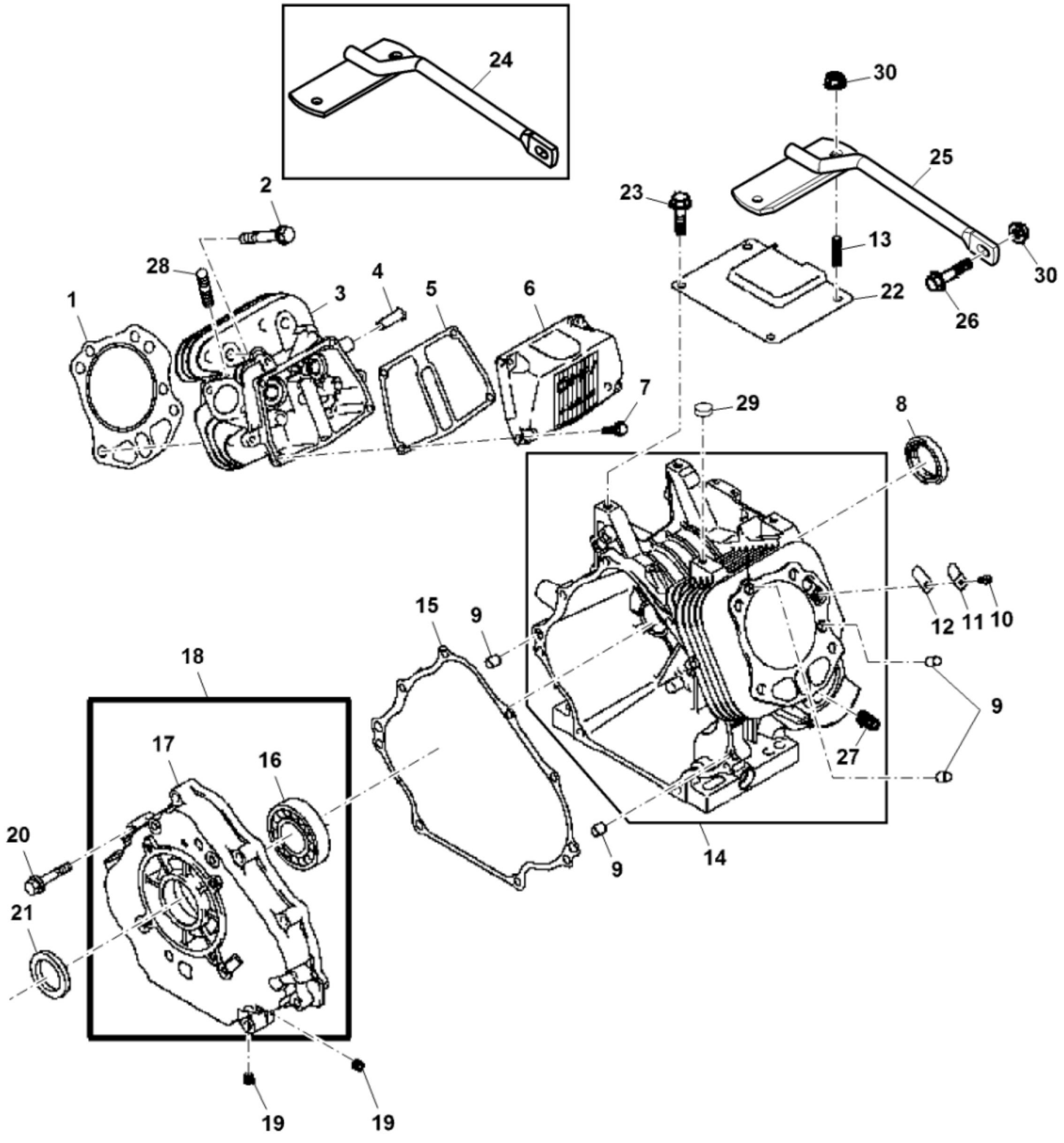
PU12755

KEY	PART NO.	PART NAME	QTY	Serial No.	REMARKS
1	AM132911	GASOLINE ENGINE	1	____-005767	MARKED FJ400D-AS04; SUB FOR MIA11309
1	MIA10577	GASOLINE ENGINE	1		MARKED FJ400D-BS04; ORDER MIA11309
1	MIA11309	GASOLINE ENGINE	1		MARKED FJ400D-CS04; ORDER MIA12010
1	MIA12907	GASOLINE ENGINE	1	005768-_____	MARKED FJ400D-ES04; KMM; SUB FOR MIA12010
1	MIA10838	SHORT BLOCK ASSEMBLY	1		ORDER MIA12841
1	MIA12841	SHORT BLOCK ASSEMBLY	1		



**MP35470**

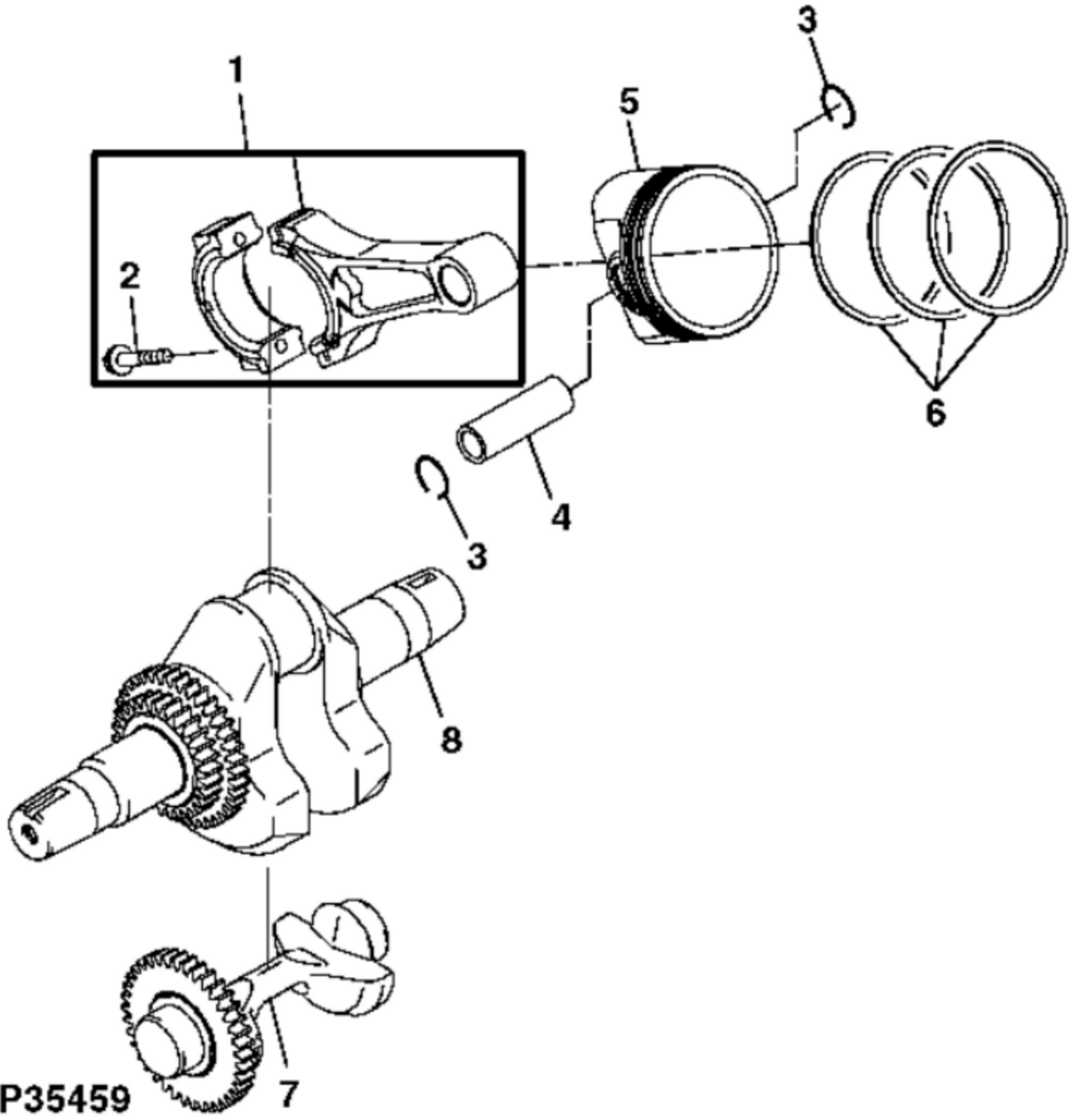
KEY	PART NO.	PART NAME	QTY	REMARKS
1	M152948	ENGINE CYLINDER HEAD GASKET	1	
2	M152951	GASKET	1	VALVE COVER
3	M149281	SEAL	1	
4	M146886	SCREEN	1	
5	M152981	GASKET	1	CHOKE
6	M152987	GASKET	2	CARBURETOR
7	M88478	O-RING	3	
8	M136651	GASKET	1	EXHAUST
9	AM107423	OIL FILTER	1	
10	M152964	SEAL	2	
11	M152950	GASKET	1	NLA; ORDER MIU13937; CRANKCASE
11	MIU13937	GASKET	1	
12	M152954	SEAL	1	
13	AM134947	GASKET KIT	1	(Not Illustrated)



MX243555

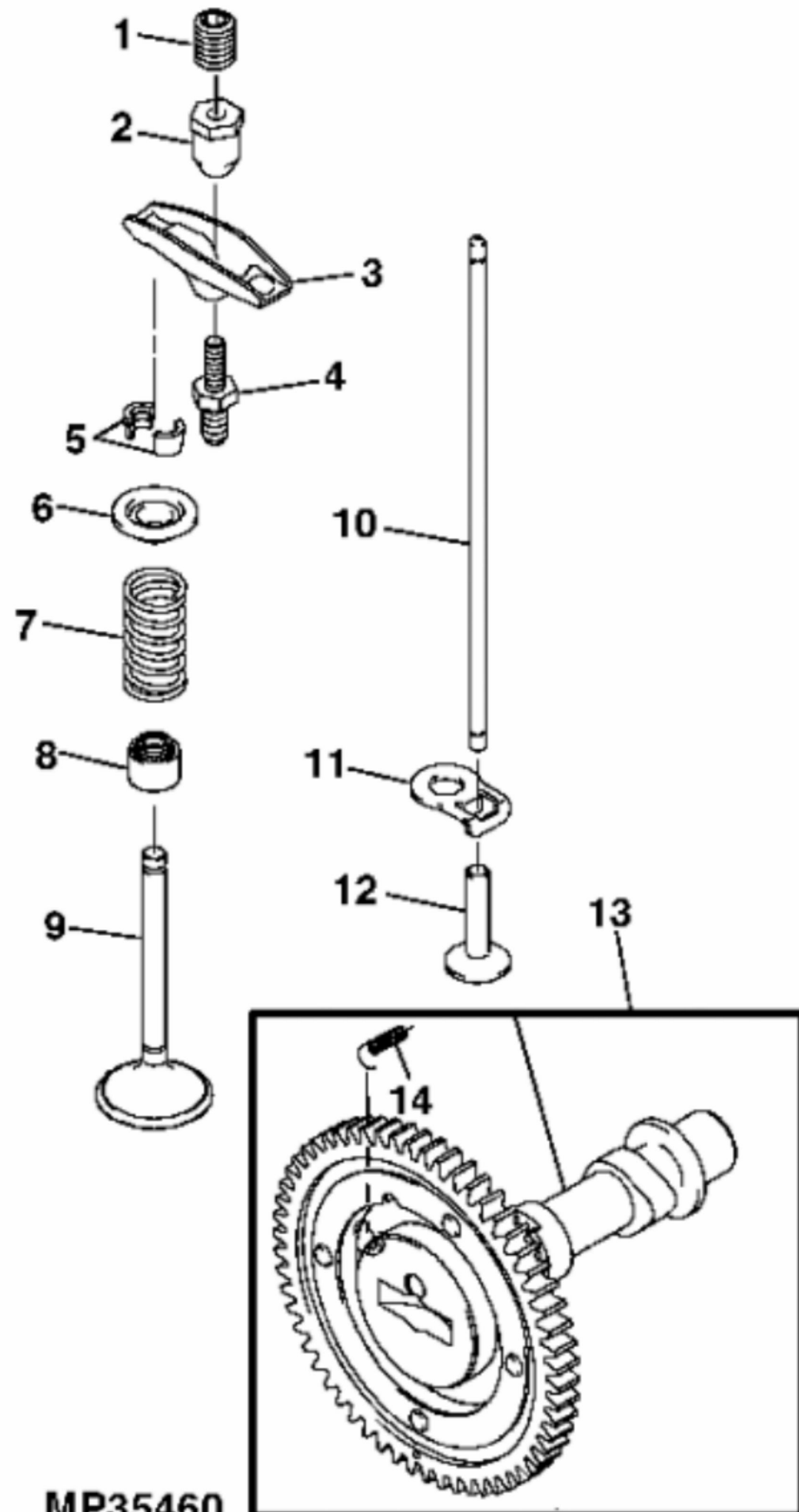
KEY	PART NO.	PART NAME	QTY	REMARKS
1	M152948	ENGINE CYLINDER HEAD GASKET	1	
2	M94235	BOLT	4	ORDER MIU12209
2	MIU12209	BOLT	4	
3	MIA11569	CYLINDER HEAD	1	SUB FOR AM134930
4	M152952	PIPE	1	
5	M152951	GASKET	1	VALVE COVER
6	MIU14499	VALVE COVER	1	SUB FOR APPL MIU12483
7	19M7863	SCREW	4	M6 X 25
8	M149281	SEAL	1	
9	M138388	PIN	4	
10	M152955	SCREW	1	ORDER MIU14207
10	MIU14207	SCREW	1	
11	M76124	PLATE	1	
12	M76125	VALVE	1	
13	M138395	STUD	2	NLA; ORDER MIU11736
13	MIU11736	BOLT	2	NLA; ORDER MIU12726
13	MIU12726	STUD	2	
14	MIA10704	CRANKCASE	1	SUB FOR AM134931
15	M152950	GASKET	1	NLA; ORDER MIU13937
15	MIU13937	GASKET	1	
16	AM101062	BEARING	1	
17	.....	COVER	1	
18	MIU11122	COVER	1	SUB FOR M152953
19	M147270	PLUG	2	NLA; ORDER MIU14001
19	MIU14001	PLUG	2	
20	19M8318	SCREW	8	M8 X 45
21	M152954	SEAL	1	
22	M153018	COVER	1	
23	19M7865	SCREW	1	M8 X 16
24	AM146599	SUPPORT	1	ORDER AM146903
25	AM146903	SUPPORT	1	
26	19M7868	SCREW	1	M8 X 30
27	M127431	ADAPTER FITTING	1	
28	MIU11949	BOLT	2	SUB FOR M68144
29	M88987	SEAL	1	

KEY	PART NO.	PART NAME	QTY	REMARKS
30	14M7396	LOCK NUT	3	M8
31	M152979	CLAMP	1	(Not Illustrated)



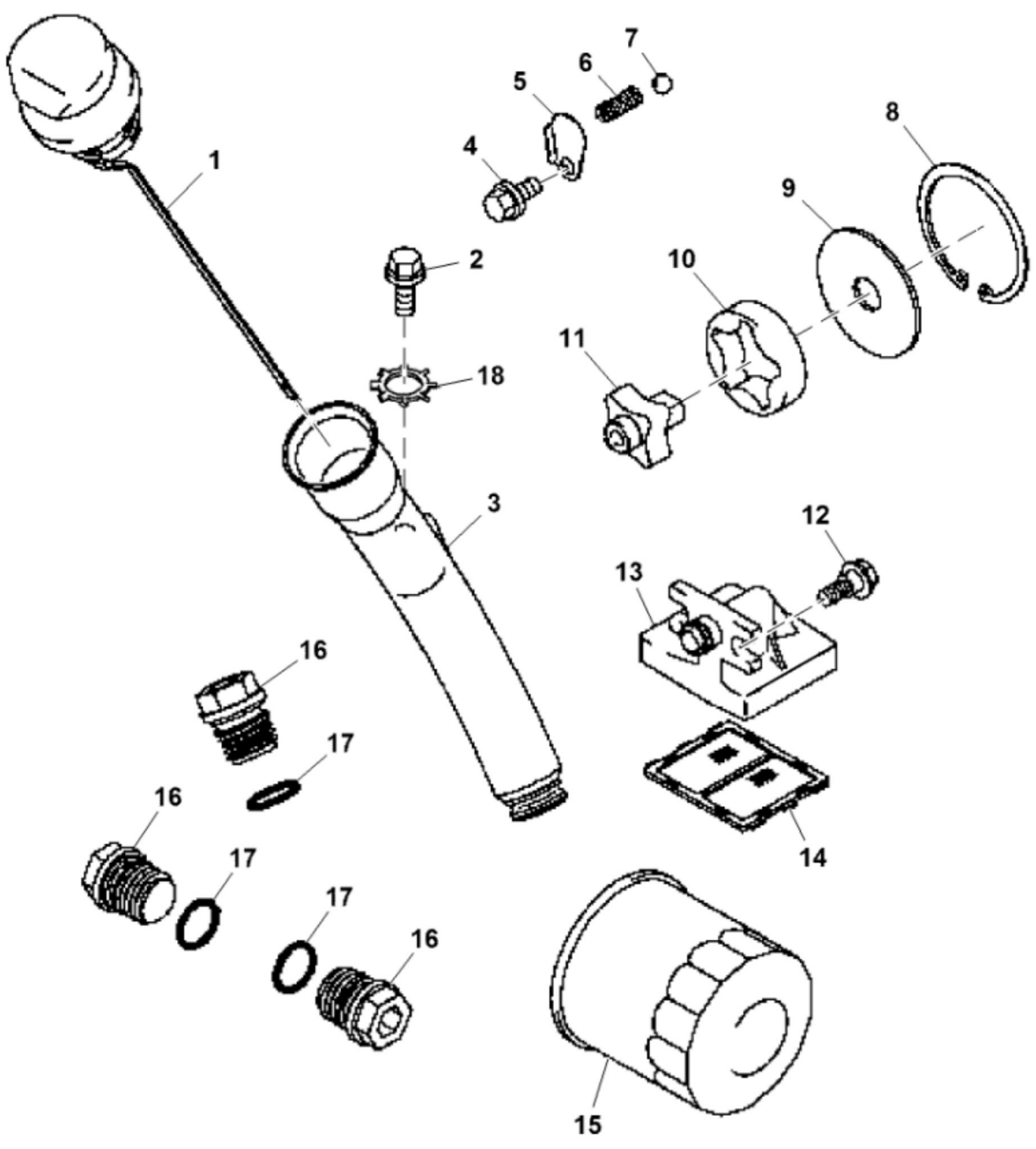


KEY	PART NO.	PART NAME	QTY	REMARKS
1	AM134935	CONNECTING ROD	1	NLA; ORDER MIA11977
1	MIA11977	CONNECTING ROD	1	NLA; ORDER MIA12633
1	MIA12633	CONNECTING ROD	1	
2	M146763	BOLT	2	
3	M70220	SNAP RING	2	
4	M152957	PISTON PIN	1	
5	M152956	PISTON	1	
6	AM134932	PISTON RING	1	
7	AUC11017	BALANCER	1	SUB FOR AM134934
8	AM134933	CRANKSHAFT	1	



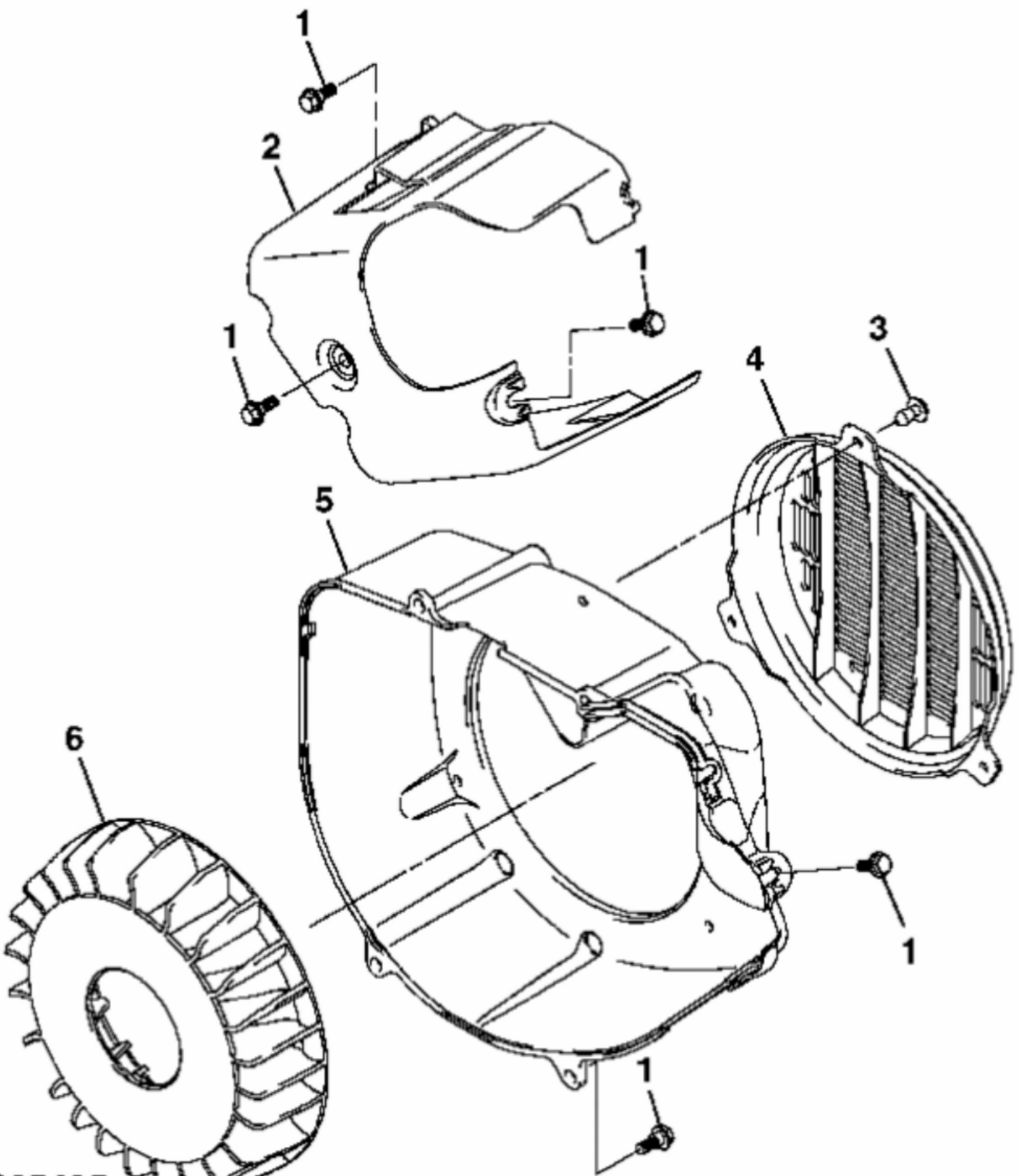
**MP35460**

KEY	PART NO.	PART NAME	QTY	REMARKS
1	M138410	SCREW	2	
2	MIU11123	NUT	2	
3	M146876	ROCKER ARM	2	
4	M146881	BOLT	2	
5	AM132412	RETAINER KIT	2	VALVE
6	M152960	RETAINER	2	
7	M152963	SPRING	2	
8	M152964	SEAL	2	
9	M152958	INTAKE VALVE	1	
9	MIU12703	EXHAUST VALVE	1	(SUB FOR M152959)
10	M152962	PUSH ROD	2	
11	M152961	GUIDE	2	
12	M138403	TAPPET	2	
13	M1A13171	CAMSHAFT	1	SUB FOR AM134936; Complete
14	M138413	EXTENSION SPRING	1	



PU16928

KEY	PART NO.	PART NAME	QTY	REMARKS
1	M152967	DIPSTICK	1	Oil Level
2	19M7775	SCREW	1	M6 X 16, Flanged
3	M152968	FILLER NECK	1	
4	19M7774	SCREW	1	M6 X 12, Flanged
5	M152965	PLATE	1	Oil Relief
6	M152971	SPRING	1	Oil Relief
7	M152970	BALL	1	
8	M152969	SNAP RING	1	
9	M152966	COVER	1	Pump
10	M76141	ROTOR	1	Pump
11	AM134937	OIL PUMP	1	Assembly
12	M148369	SCREW	2	
13	M146885	PIPE	1	
14	M146886	SCREEN	1	Screen
15	AM107423	OIL FILTER	1	
16	M138425	PLUG	3	
17	M88478	O-RING	3	
18	12M7081	LOCK WASHER	1	6.400 mm, MARKED FJ400D-CS04

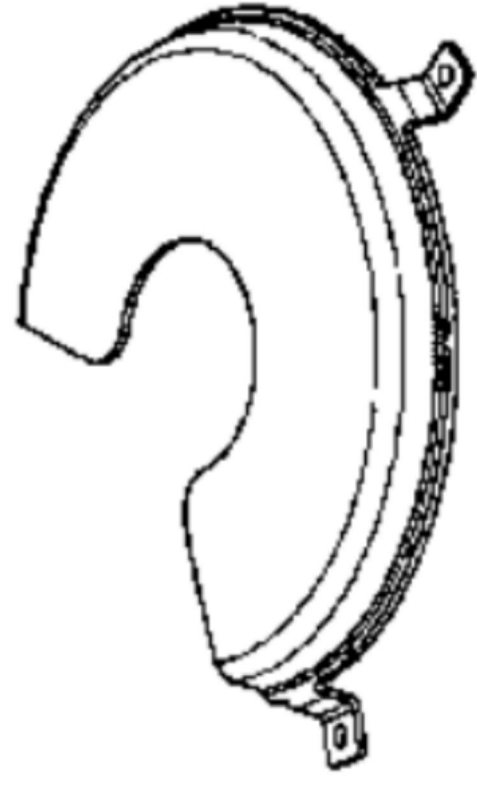


**MP35465**

KEY	PART NO.	PART NAME	QTY	REMARKS
1	M148369	SCREW	8	
2	MIU11506	SHROUD	1	SUB FOR M152972
3	MIU14466	RIVET	3	SUB FOR M152975
4	M152973	GUARD	1	
5	M152974	HOUSING	1	
6	MIU11268	FAN	1	NLA; ORDER MIU13857
6	MIU13857	FAN	1	

2

1



**IMPORTANT**

- To prevent engine damage:  
• Do not run cooling air restrictor when air temperature is exceeded by above 50° F (10° C)
- Replace cooling air restrictor when air temperature is exceeded by below 40° F (4° C)

**IMPORTANT**

- Pour éviter d'endommager le moteur:  
• Éviter le restricteur d'air de fonctionner lorsque l'air ambiant dépasse d'ordinaire une température de 10° C (50° F)
- Remettre le restricteur d'air de refroidissement en place lorsque l'air ambiant est généralement de moins de 4° C (40° F)

**MP41939**



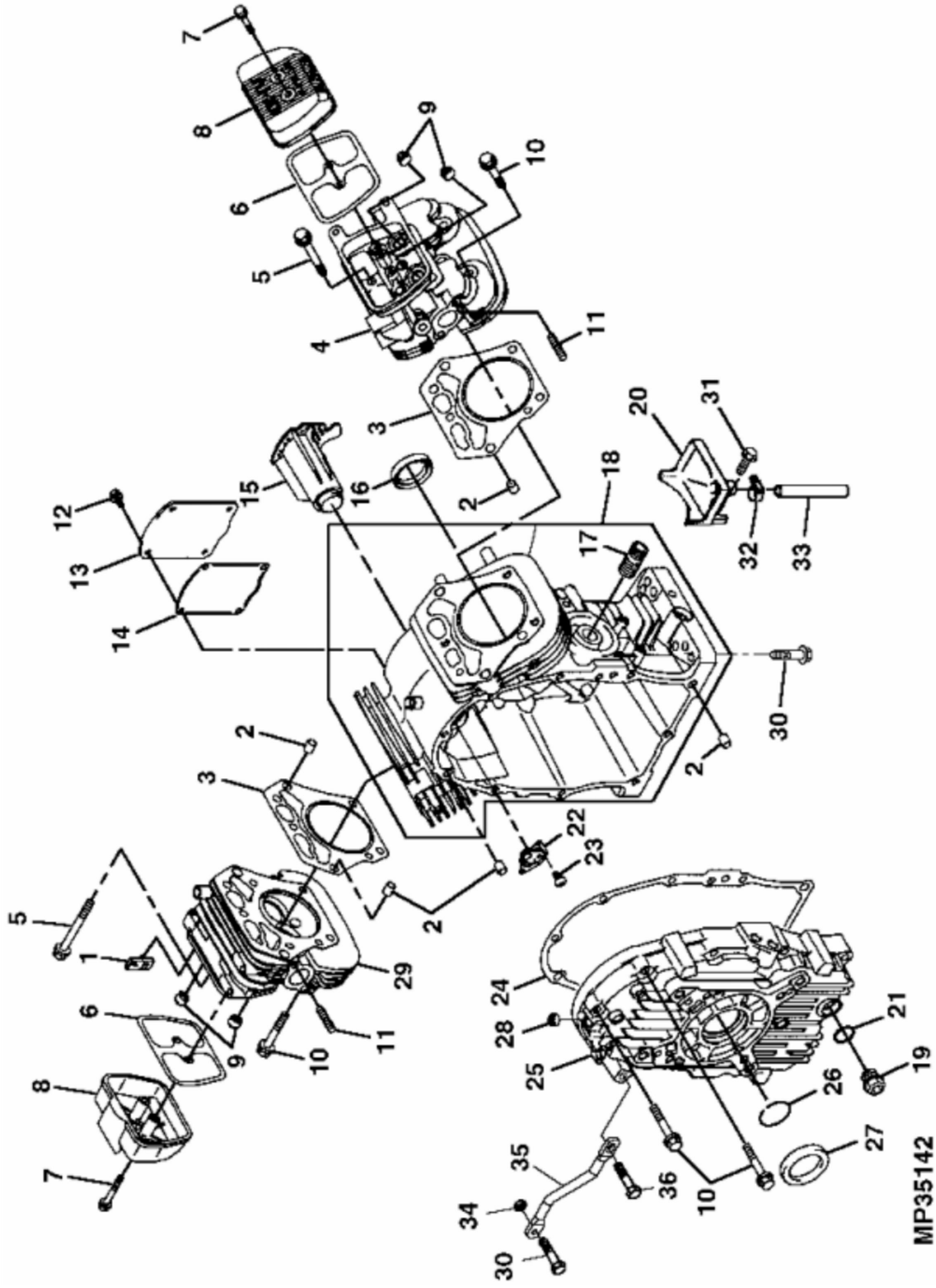
KEY	PART NO.	PART NAME	QTY	REMARKS
1	M159527	LABEL	1	
2	BM22889	KIT	1	FLYWHEEL COVER

1



MX293450

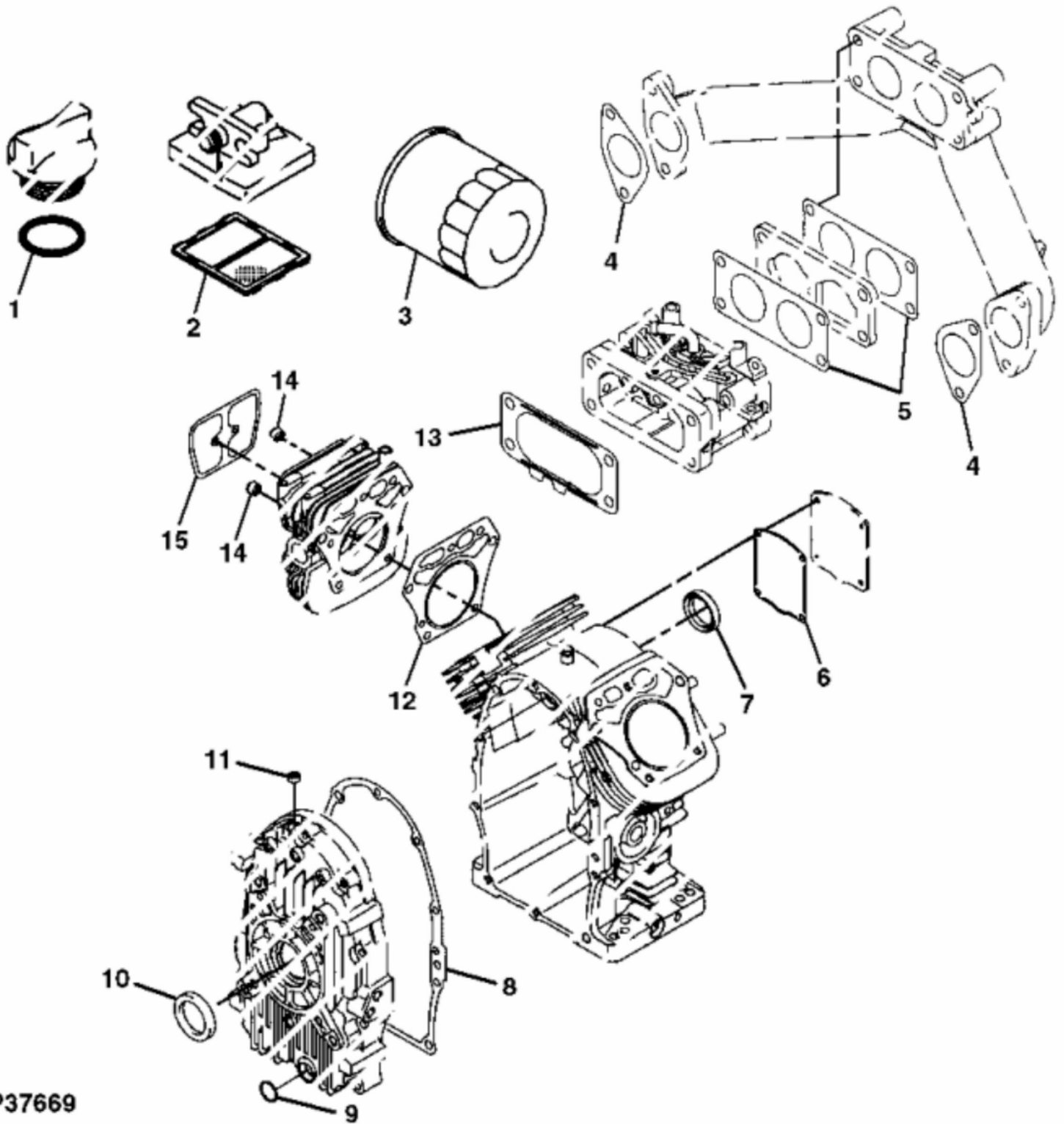
KEY	PART NO.	PART NAME	QTY	REMARKS
1	LG258	KIT	1	HOME MAINTENANCE (SEE FOOTNOTE BELOW), MARKED FJ400D-AS04, FJ400D-BS04, FJ400D-CS04, FJ400D-DS04



MP35142

KEY	PART NO.	PART NAME	QTY	Serial No.	REMARKS
1	M146871	PIPE	1		
2	M138388	PIN	6		
3	M147908	ENGINE CYLINDER HEAD GASKET	2		
4	AM135296	CYLINDER HEAD	1		(NO.2)
5	M138394	BOLT	2		NLA; ORDER MIU11322
5	MIU11322	BOLT	2		
6	M140221	GASKET	2		
7	19M7320	CAP SCREW	4		M6 X 40
8	M140218	VALVE COVER	1		(CYLINDER NO.2)
8	M146867	VALVE COVER	1		(CYLINDER NO.1)
9	M138389	SEAL	4		
10	19M8319	SCREW	8		M8 X 50, (Sub for MIU11326)
11	M138395	STUD	4		NLA; ORDER MIU11736
11	MIU11736	BOLT	4		NLA; ORDER MIU12726
11	MIU12726	STUD	4		
12	MIU11325	BOLT	4		
13	M140224	COVER	1		
14	M140222	GASKET	1		BREATHER
15	MIU11522	PIPE	1		
15	MIU11523	GASKET	1		(NOT SHOWN)
16	M149281	SEAL	1		
17	M127431	ADAPTER FITTING	1		
18	MIA11663	CRANKCASE	1		(SUB FOR MIA11107)
19	M138425	PLUG	1		
20	M146870	RECEIVER	1		OIL DRAIN
21	M88478	O-RING	1		
22	M146869	VALVE	1		
23	21M7244	SCREW	2		M4 X 8
24	MIU10794	GASKET	1		
25	MIA11447	COVER	1		
25	MIU10933	BUSHING	1		(NOT SHOWN)
26	M140231	SNAP RING	1		
27	MIU11104	SEAL	1		
28	M138392	SEAL	1		NLA; ORDER M151774
28	M151774	SEAL	1		

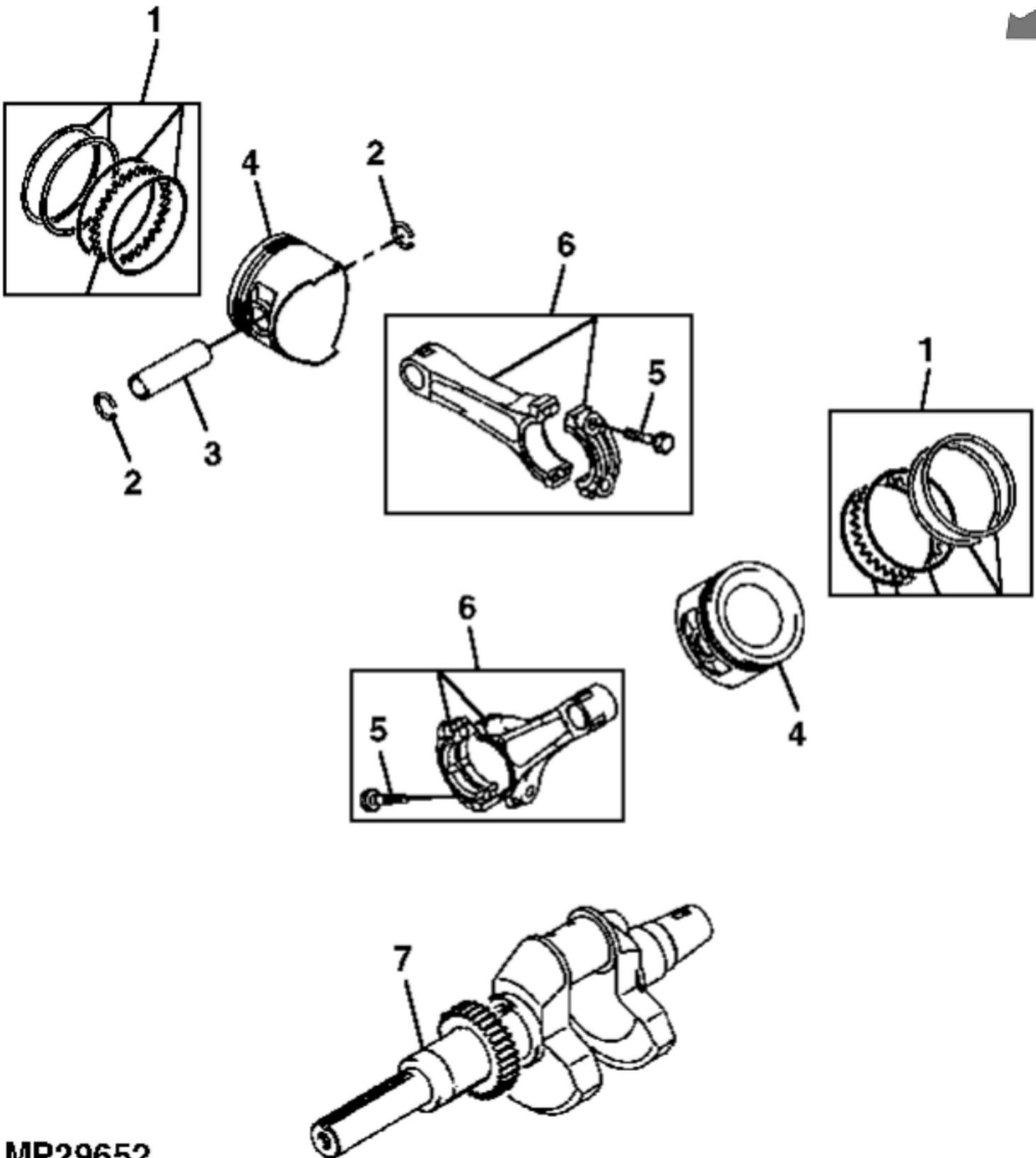
KEY	PART NO.	PART NAME	QTY	Serial No.	REMARKS
29	MIA10402	CYLINDER HEAD	1		(NO.1)
30	19M7786	SCREW	5		M10 X 30, (ENGINE MOUNTING)
31	M148369	SCREW	2		
32	R97021	CLAMP	1		
33	.....	HOSE	1		(MAKE FROM TY22562)
34	14M7400	LOCK NUT	1		M10
35	M158593	PIN FASTENER	1		
36	19M7867	SCREW	1		M8 X 25
..	MIA11233	GASOLINE ENGINE	1		NLA; MARKED FH601D-E505; ORDER MIA11954
..	MIA11954	GASOLINE ENGINE	1	100001-_____	MARKED FH601D-F505



MP37669

KEY	PART NO.	PART NAME	QTY	REMARKS
1	M146888	O-RING	1	
2	M146886	SCREEN	1	
3	AM107423	OIL FILTER	1	
4	M140262	GASKET	2	INTAKE MANIFOLD
5	M140261	GASKET	2	CARBURETOR
6	M140222	GASKET	1	BREATHER
7	M149281	SEAL	1	
8	MIU10794	GASKET	1	CRANKCASE
9	M88478	O-RING	3	
10	MIU11104	SEAL	1	
11	M138392	SEAL	1	NLA; ORDER M151774
11	M151774	SEAL	1	
12	M147908	ENGINE CYLINDER HEAD GASKET	2	
13	M152498	GASKET	1	
14	M138389	SEAL	4	
15	M140221	GASKET	2	ROCKER CASE
..	M1A10739	GASKET KIT	1	





**MP29652**

**Please write to us.**

**Our email:**

**aservicemanualpdf@yahoo.com**

**Please go to the homepage  
to get the full manual, or  
other brand PDF manuals.**

**Home Site:**

**aservicemanualpdf.com**

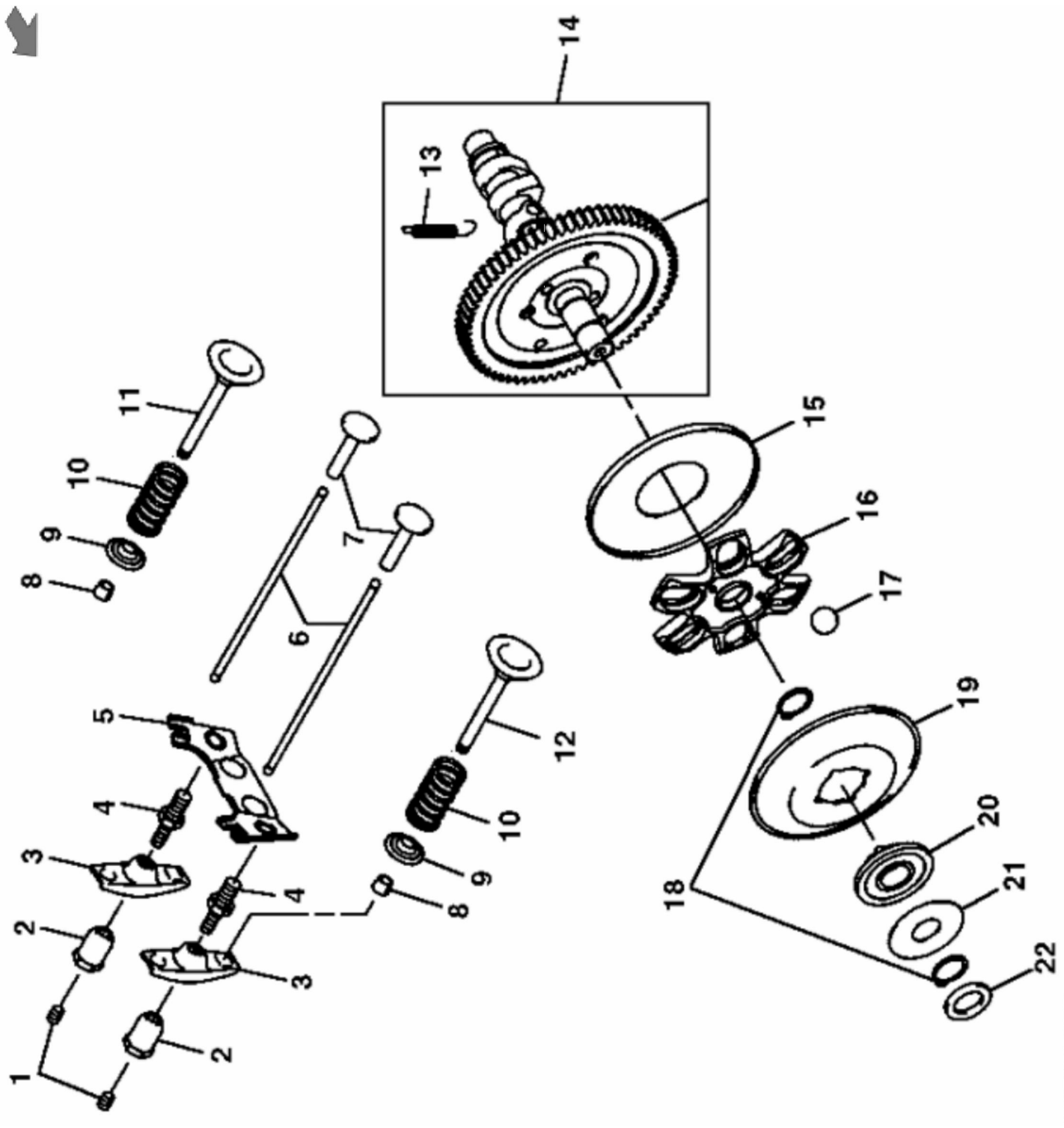
**Thank you very much for your reading. Please Click Here. Then Get COMPLETE MANUAL. NO WAITING**



**NOTE:**

**If there is no response to click on the link above, please download the PDF document first and then click on it.**

KEY	PART NO.	PART NAME	QTY	REMARKS
1	AM128738	PISTON RING KIT	2	STD
1	AM132069	PISTON RING KIT	2	.50 MM (.020") OS
2	M138398	SNAP RING	4	
3	M138397	PISTON PIN	2	
4	M143319	PISTON	2	STD
4	M146875	PISTON	2	.50 MM (.020") OS
5	M146763	BOLT	2	
6	M1A10804	CONNECTING ROD	2	
7	M1A11109	CRANKSHAFT	1	



MP29653

KEY	PART NO.	PART NAME	QTY	REMARKS
1	M138410	SCREW	4	
2	M92891	NUT	4	
3	M146876	ROCKER ARM	4	
4	M146881	BOLT	4	
5	M146877	GUIDE	2	
6	M146879	PUSH ROD	4	
7	M138403	TAPPET	4	
8	M118845	RETAINER	4	
9	M138401	RETAINER	4	
10	M140241	SPRING	4	
11	M140234	INTAKE VALVE	2	
12	M147596	EXHAUST VALVE	2	
13	M138413	EXTENSION SPRING	1	
14	M1A11197	CAMSHAFT	1	
15	M140240	PLATE	1	
16	M146878	GUIDE	1	
17	MIU10971	BALL BEARING	6	
18	M138411	SNAP RING	2	NLA; ORDER MIU14000
18	MIU14000	SNAP RING	2	
19	M146880	PLATE	1	
20	MIU10708	SLEEVE	1	NLA; ORDER MIU13044
20	MIU13044	SLEEVE	1	
21	M146882	WASHER	1	
22	MIU11231	WASHER	1	