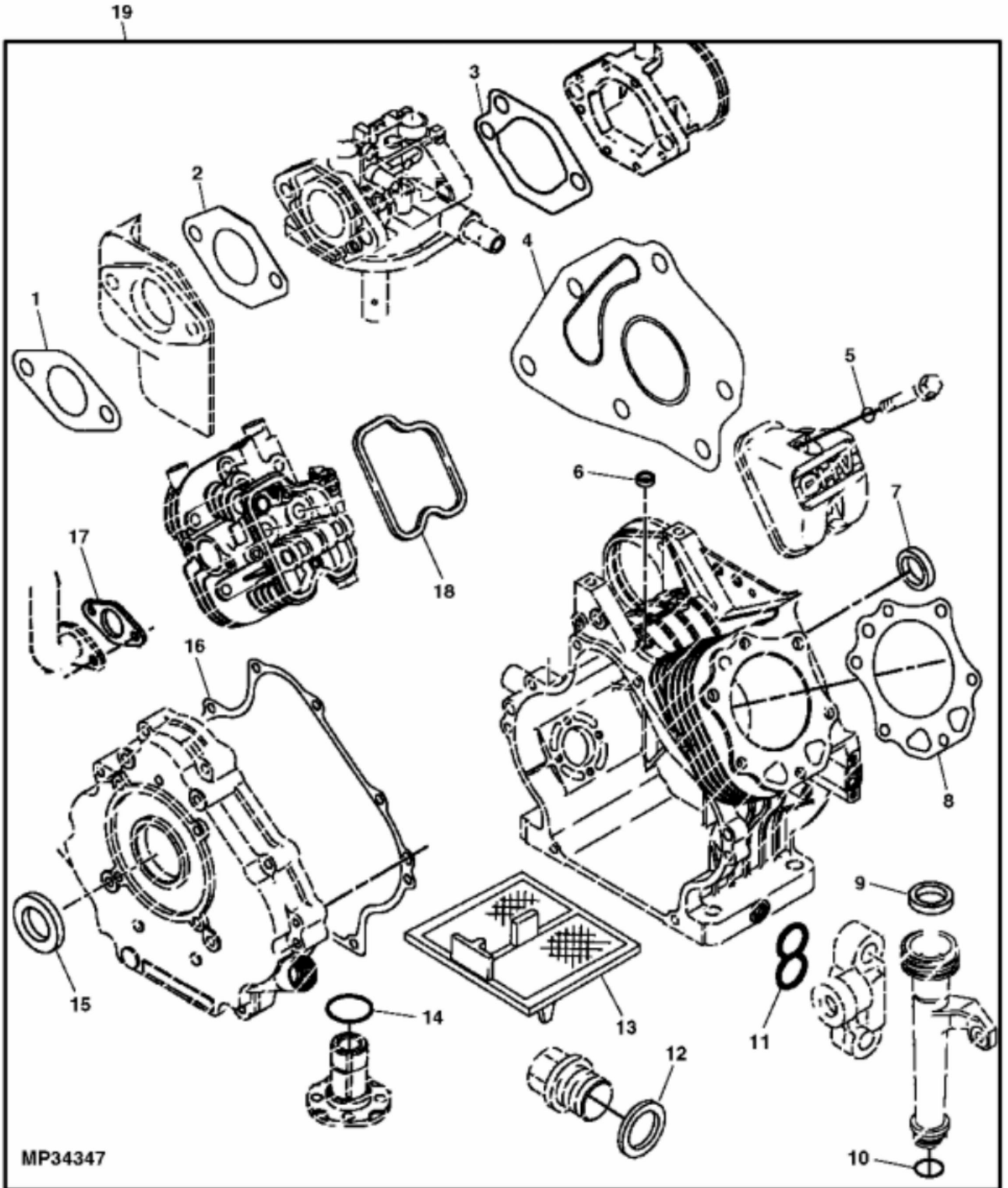
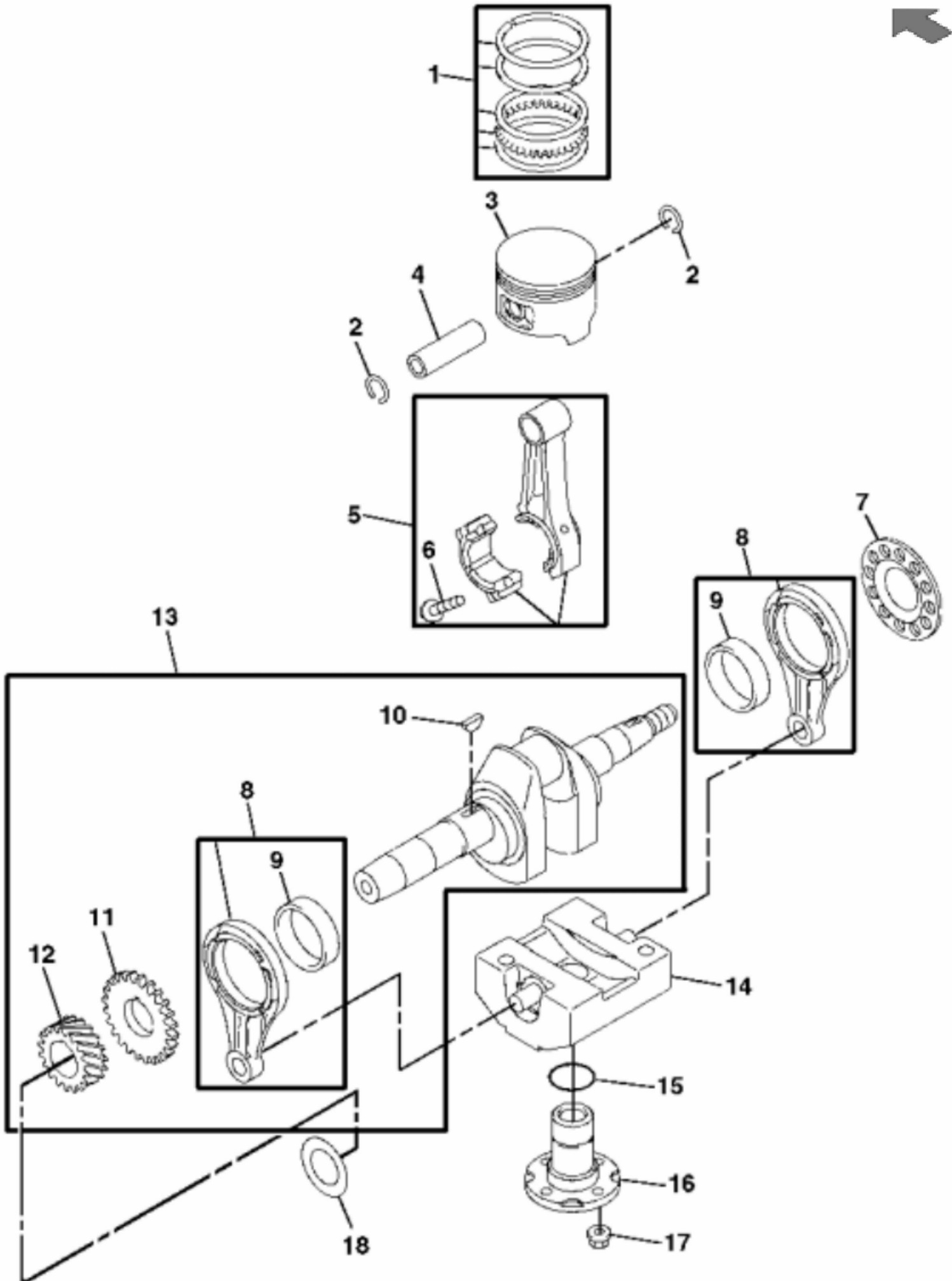


| KEY | PART NO. | PART NAME | QTY | Serial No. | REMARKS |
|-----|----------|----------------------|-----|-------------|--|
| 1 | M70227 | PIN | 2 | | |
| 2 | M131989 | GASKET | 1 | | CYLINDER HEAD |
| 3 | M68144 | STUD | 3 | | ORDER MIU11949 |
| 3 | MIU11949 | BOLT | 3 | | |
| 4 | 19M8318 | SCREW | 14 | | M8 X 45 |
| 5 | AM119991 | CYLINDER HEAD | 1 | | |
| 6 | M96547 | GUIDE | 2 | | |
| 7 | M70010 | SNAP RING | 2 | | |
| 8 | M73817 | VALVE | 2 | | |
| 9 | W40494 | PLATE | 1 | | |
| 10 | M95848 | SCREW | 2 | | |
| 11 | W40491 | GASKET | 1 | | |
| 12 | W40493 | VALVE COVER | 1 | | |
| 13 | W40499 | O-RING | 2 | | |
| 14 | 19M8290 | SCREW | 2 | | M6 X 35 |
| 15 | M88987 | SEAL | 1 | | |
| 16 | M97289 | SEAL | 1 | | |
| 17 | AM134870 | CRANKCASE | 1 | | |
| 18 | M74252 | PIN | 2 | | |
| 19 | M88447 | STUD | 4 | | |
| 20 | 19M7798 | SCREW | 4 | | M8 X 40, ENGINE MOUNTING |
| 21 | 14M7396 | LOCK NUT | 7 | | M8 |
| 22 | W40497 | BALL BEARING | 1 | | |
| 23 | W40495 | ISOLATOR | 1 | | |
| 24 | M119139 | GASKET | 1 | | |
| 25 | M120220 | COVER | 1 | | |
| 26 | PT18249 | SEAL | 1 | | |
| 27 | AM133626 | SUPPORT | 1 | | STRUT |
| 28 | 19M7868 | SCREW | 1 | | M8 X 30 |
| 29 | AM135060 | GASOLINE ENGINE | 1 | ____-010210 | (Not Illustrated) MARKED FE290D-BS28 |
| 29 | MIA10575 | GASOLINE ENGINE | 1 | | (Not Illustrated) MARKED FE290D-CS28; ORDER MIA10772 |
| 29 | MIA10772 | GASOLINE ENGINE | 1 | | (Not Illustrated) MARKED FE290D-DS28; ORDER AM134875 |
| 29 | AM134875 | SHORT BLOCK ASSEMBLY | 1 | 010211-____ | (Not Illustrated) ALSO ORDER T60061 |

| KEY | PART NO. | PART NAME | QTY | Serial No. | REMARKS |
|-----|----------|-----------|-----|------------|--|
| 30 | T60061 | BOLT | 1 | | (Not Illustrated) Primary Clutch Retaining |

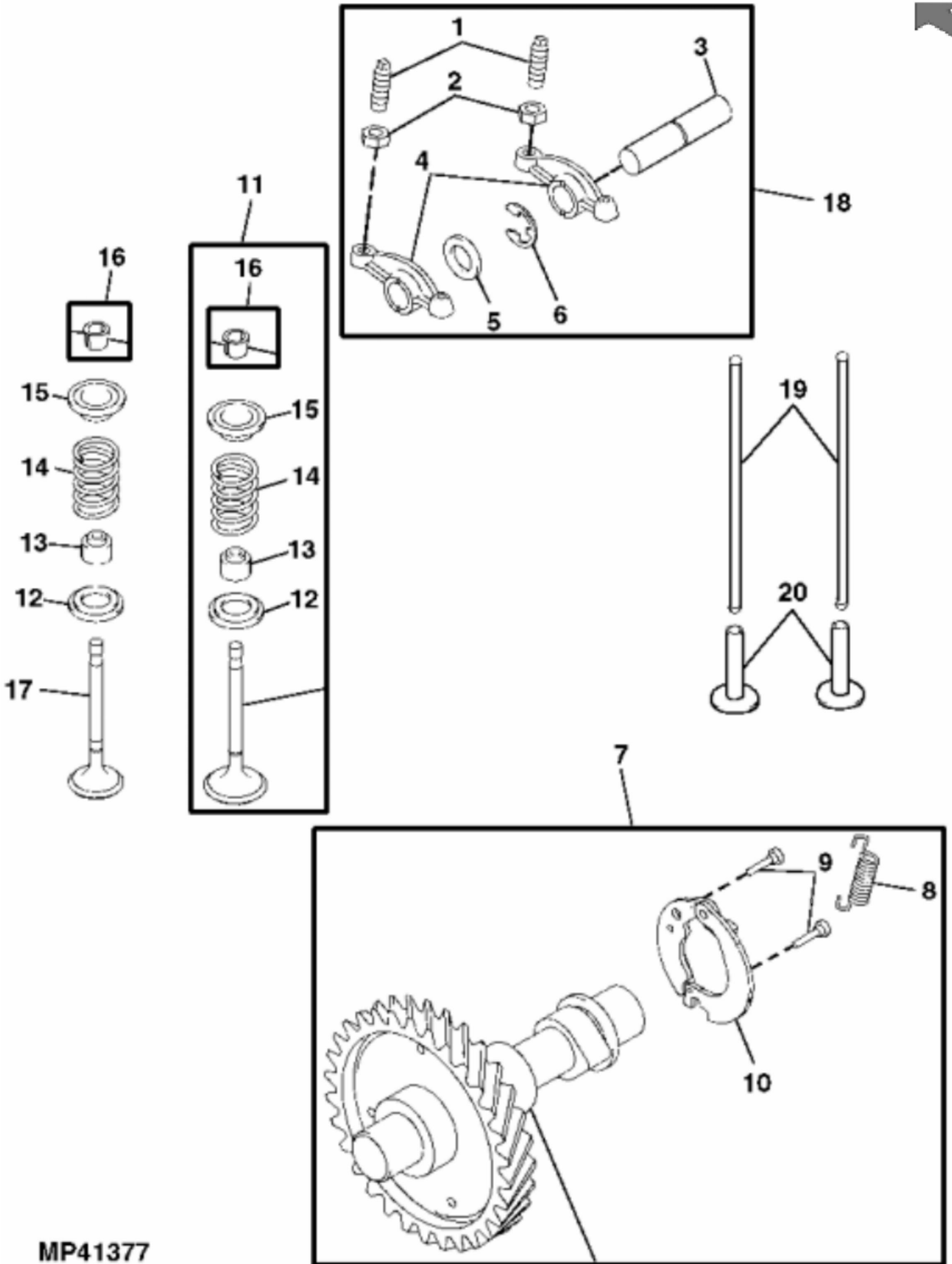


| KEY | PART NO. | PART NAME | QTY | REMARKS |
|-----|----------|-----------------------------|-----|-------------|
| 1 | M97282 | GASKET | 1 | INSULATOR |
| 2 | M150021 | GASKET | 1 | CARBURETOR |
| 3 | M97278 | GASKET | 1 | AIR INTAKE |
| 4 | W40432 | GASKET | 1 | OIL PUMP |
| 5 | W40499 | O-RING | 2 | |
| 6 | M88987 | SEAL | 1 | |
| 7 | M97289 | SEAL | 1 | |
| 8 | M131989 | ENGINE CYLINDER HEAD GASKET | 1 | |
| 9 | M88482 | GASKET | 1 | OIL GAUGE |
| 10 | M88478 | O-RING | 1 | |
| 11 | M88472 | O-RING | 1 | |
| 12 | M88476 | GASKET | 2 | |
| 13 | AW26837 | SCREEN | 1 | OIL |
| 14 | M70096 | O-RING | 1 | |
| 15 | PT18249 | SEAL | 1 | |
| 16 | M119139 | GASKET | 1 | CRANKCASE |
| 17 | M73271 | GASKET | 1 | MUFFLER |
| 18 | W40491 | GASKET | 1 | VALVE COVER |
| 19 | AM133571 | GASKET KIT | 1 | |



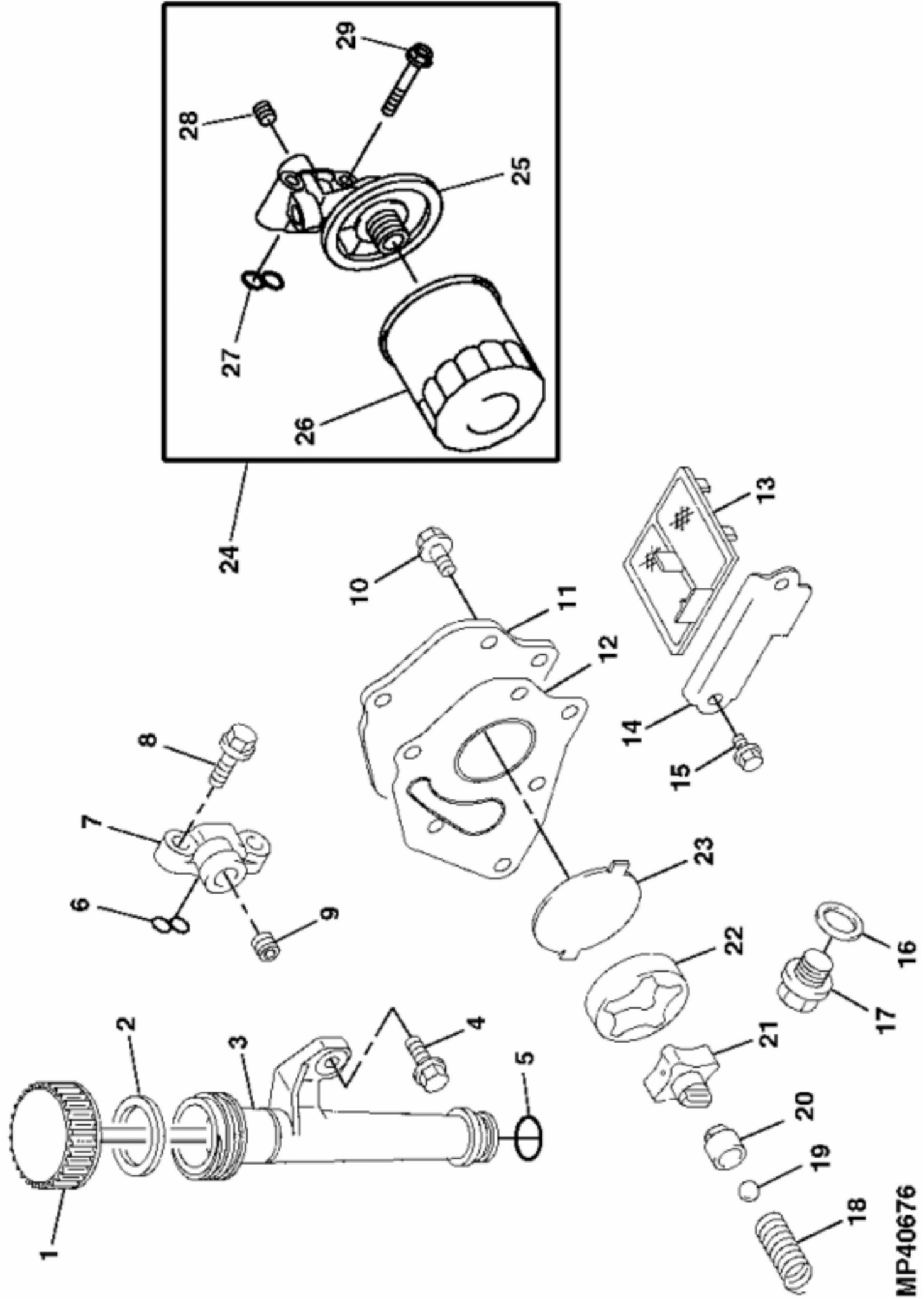
MP31794

| KEY | PART NO. | PART NAME | QTY | REMARKS |
|-----|----------|-----------------|-----|----------------------|
| 1 | AM102610 | PISTON RING KIT | 1 | (STD) |
| 1 | AM102612 | PISTON RING KIT | 1 | .50MM (.020"), OS |
| 2 | M70220 | SNAP RING | 2 | |
| 3 | MIU14328 | PISTON | 1 | SUB FOR M119153; STD |
| 3 | M119174 | PISTON | 1 | .50MM (.020"), OS |
| 4 | M70219 | PISTON PIN | 1 | |
| 5 | MIA10721 | CONNECTING ROD | 1 | SUB FOR PT18253; STD |
| 5 | MIA10722 | CONNECTING ROD | 1 | SUB FORAW26861; US |
| 6 | M147310 | BOLT | 2 | |
| 7 | M70226 | SPACER | 1 | |
| 8 | AM107155 | ROD | 2 | |
| 9 | M70265 | BEARING | 1 | |
| 10 | M77843 | SHAFT KEY | 1 | |
| 11 | M70222 | SPUR GEAR | 1 | |
| 12 | M119175 | HELICAL GEAR | 1 | |
| 13 | AM133573 | CRANKSHAFT | 1 | |
| 14 | AW26833 | WEIGHT | 1 | |
| 15 | M70096 | O-RING | 1 | |
| 16 | M70095 | SHAFT | 1 | |
| 17 | M70097 | NUT | 4 | |
| 18 | AM102616 | KIT | 1 | Shim |



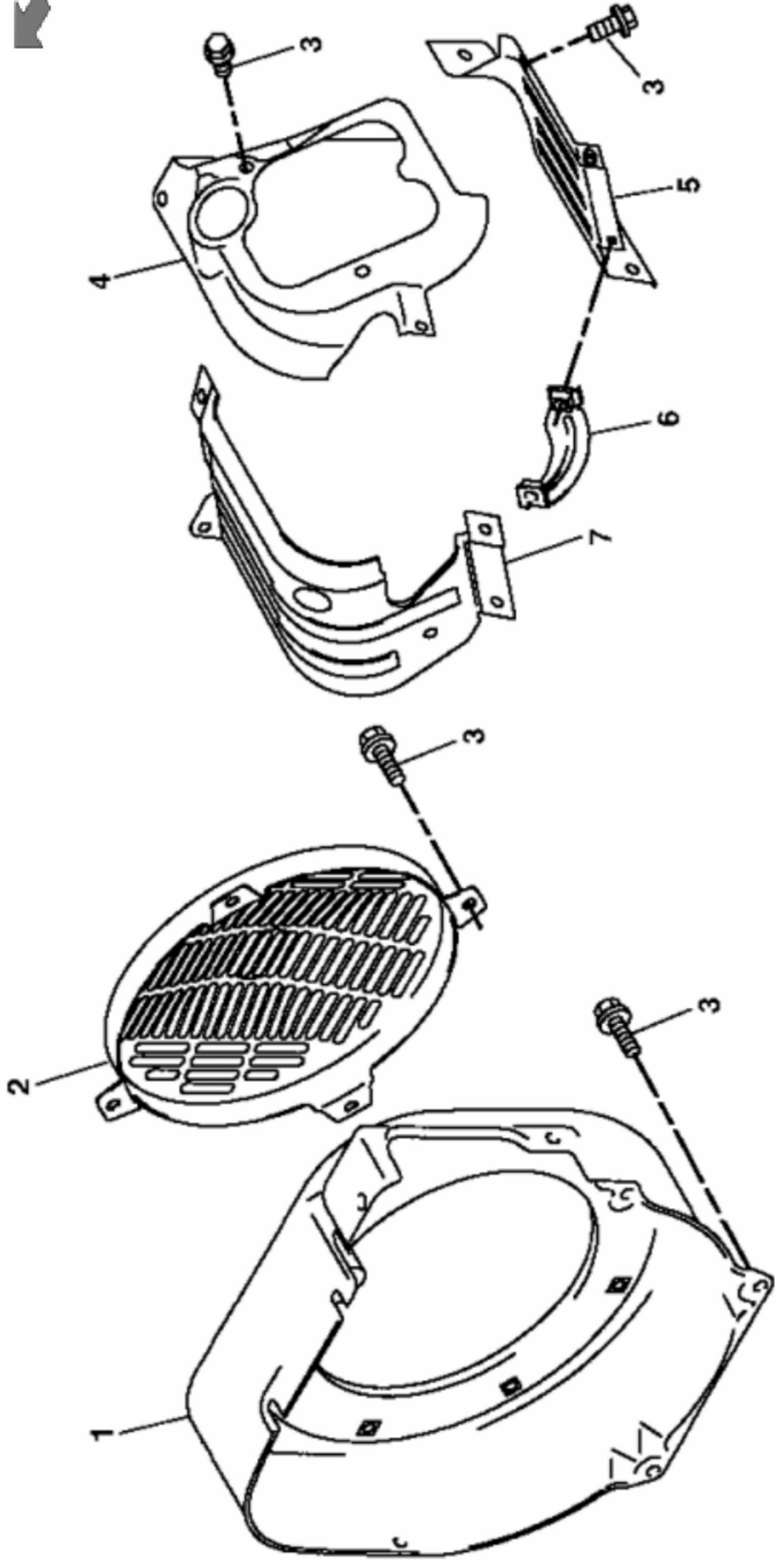
MP41377

| KEY | PART NO. | PART NAME | QTY | REMARKS |
|-----|----------|------------------|-----|--|
| 1 | M76091 | SCREW | 2 | |
| 2 | M76092 | NUT | 2 | |
| 3 | W40429 | ROCKER ARM SHAFT | 1 | |
| 4 | W40428 | ROCKER ARM | 2 | |
| 5 | W40507 | WASHER | 1 | |
| 6 | W40430 | CLIP | 1 | |
| 7 | AM119023 | CAMSHAFT | 1 | |
| 8 | M70044 | SPRING | 1 | |
| 9 | M70043 | PIN | 2 | |
| 10 | | VALVE | 1 | CYLINDER PRESSURE RELIEF |
| 11 | AM116041 | VALVE TRAIN KIT | 1 | NLA; ORDER AM132412, M70033, M70206, M70034, M72002 AND M72322; Intake Valve |
| 12 | M70033 | SEAT | 1 | |
| 13 | M70034 | SEAL | 1 | |
| 14 | M70206 | SPRING | 1 | |
| 15 | M72322 | RETAINER | 1 | |
| 16 | AM132412 | RETAINER KIT | 1 | COLLET |
| 17 | W40427 | EXHAUST VALVE | 1 | |
| 18 | AM109395 | ROCKER ARM | 1 | |
| 19 | M70212 | PUSH ROD | 2 | |
| 20 | M70213 | TAPPET | 2 | |



MP40676

| KEY | PART NO. | PART NAME | QTY | REMARKS |
|-----|----------|-------------------|-----|-----------------|
| 1 | M120073 | DIPSTICK | 1 | |
| 2 | M88482 | GASKET | 1 | |
| 3 | ET15671 | FILLER NECK | 1 | |
| 4 | 19M7775 | SCREW | 1 | M6 X 16 |
| 5 | M88478 | O-RING | 1 | |
| 6 | M88472 | O-RING | 1 | |
| 7 | W40435 | COVER | 1 | |
| 8 | 19M7862 | SCREW | 2 | M6 X 20 |
| 9 | M97250 | PLUG | 1 | |
| 10 | MIU11967 | BOLT | 6 | SUB FOR M119145 |
| 11 | W40437 | COVER | 1 | |
| 12 | W40432 | GASKET | 1 | |
| 13 | AW26837 | OIL FILTER | 1 | |
| 14 | W40433 | PLATE | 1 | |
| 15 | M88525 | BOLT | 2 | ORDER MIU11965 |
| 15 | MIU11965 | BOLT | 2 | |
| 16 | M88476 | GASKET | 2 | |
| 17 | MIU11641 | DRAIN PLUG | 2 | SUB FOR M119144 |
| 18 | W40440 | SPRING | 1 | |
| 19 | M88526 | BALL | 1 | |
| 20 | W40431 | VALVE SEAT INSERT | 1 | |
| 21 | AW26836 | OIL PUMP | 1 | |
| 22 | M76141 | ROTOR | 1 | |
| 23 | W40434 | PLATE | 1 | |
| 24 | AW26806 | BRACKET KIT | 1 | |
| 25 | W40392 | BRACKET | 1 | |
| 26 | AM107423 | OIL FILTER | 1 | |
| 27 | M88472 | O-RING | 1 | |
| 28 | M97250 | PLUG | 2 | |
| 29 | 19M8477 | CAP SCREW | 2 | M6 X 40 |



MP34350

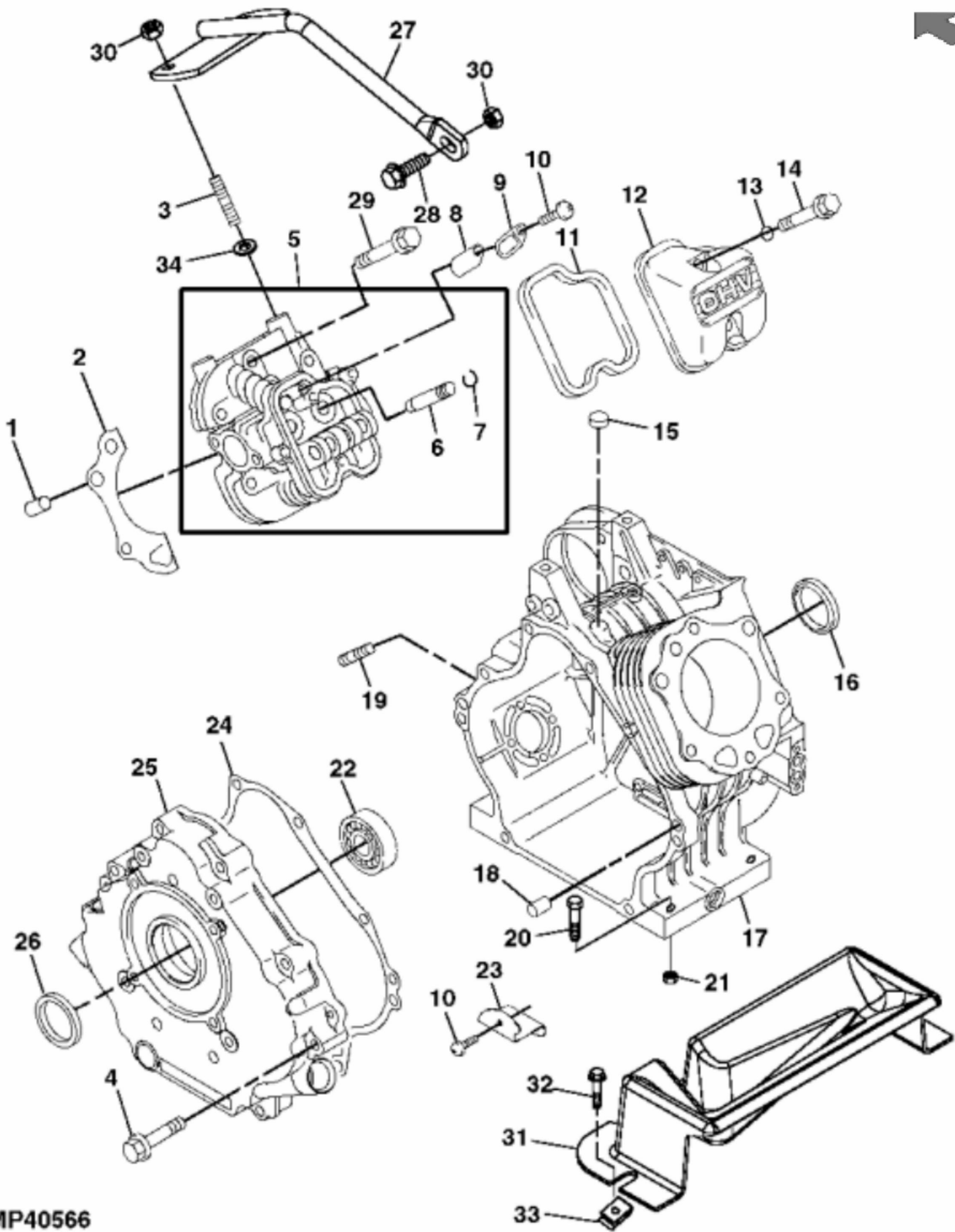
| KEY | PART NO. | PART NAME | QTY | REMARKS |
|-----|----------|-----------|-----|---------|
| 1 | W40446 | HOUSING | 1 | |
| 2 | M76927 | GUARD | 1 | |
| 3 | 19M7774 | SCREW | 22 | M6 X 12 |
| 4 | W40443 | SHROUD | 1 | |
| 5 | W40444 | SHROUD | 1 | |
| 6 | W40441 | BRACKET | 1 | |
| 7 | W40442 | SHROUD | 1 | |

1



MX293450

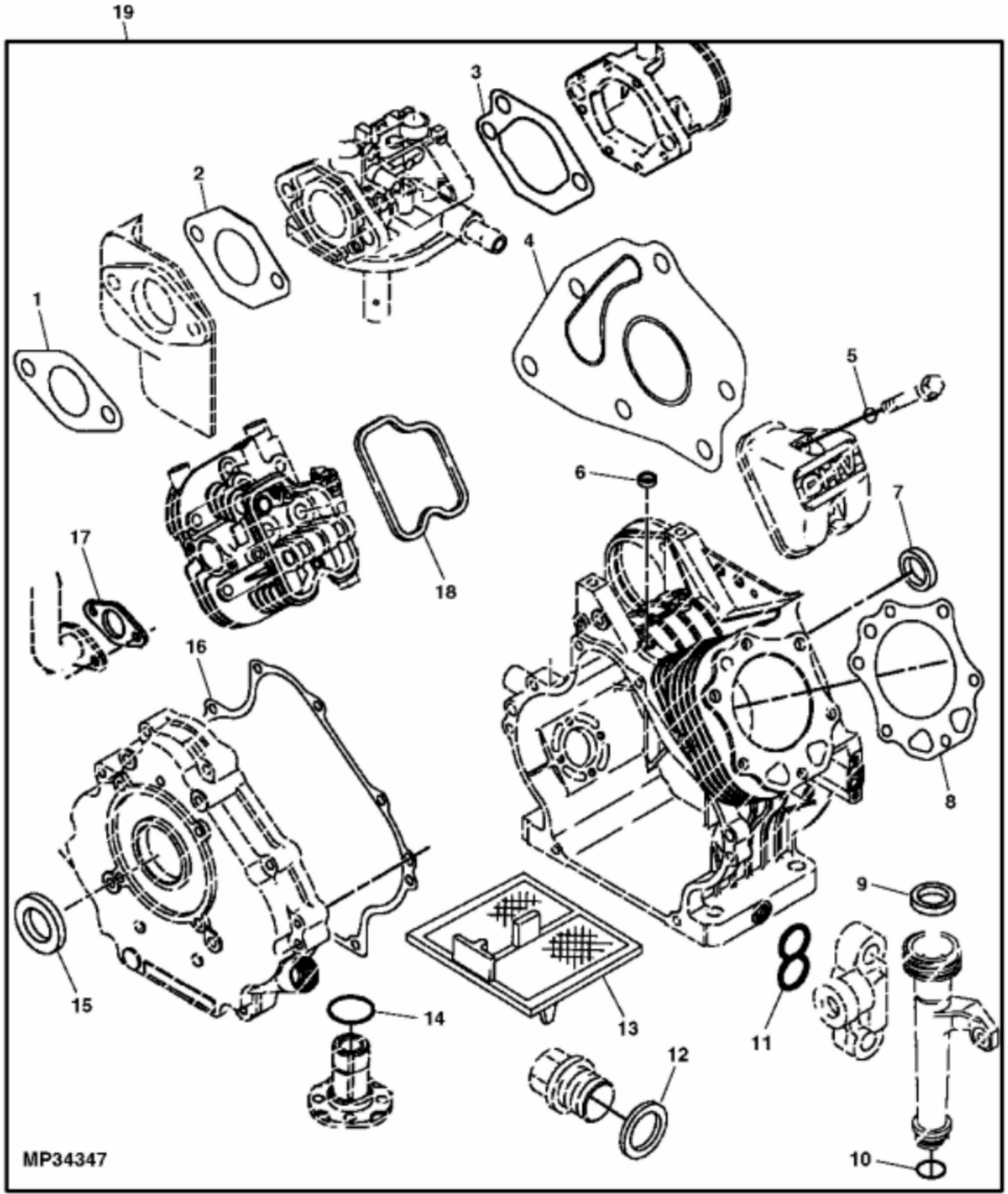
| KEY | PART NO. | PART NAME | QTY | REMARKS |
|-----|----------|-----------|-----|--|
| 1 | LG248 | KIT | 1 | MARKED FE290D-BS28,FE290D-CS28,FE290D-DS28; Home Maintenance (Includes Filter, Oil, Oil Change Sticker And Spark Plug(S) - Where Applicable) (Actual Kit Contents May Differ From Photo) |



MP40566

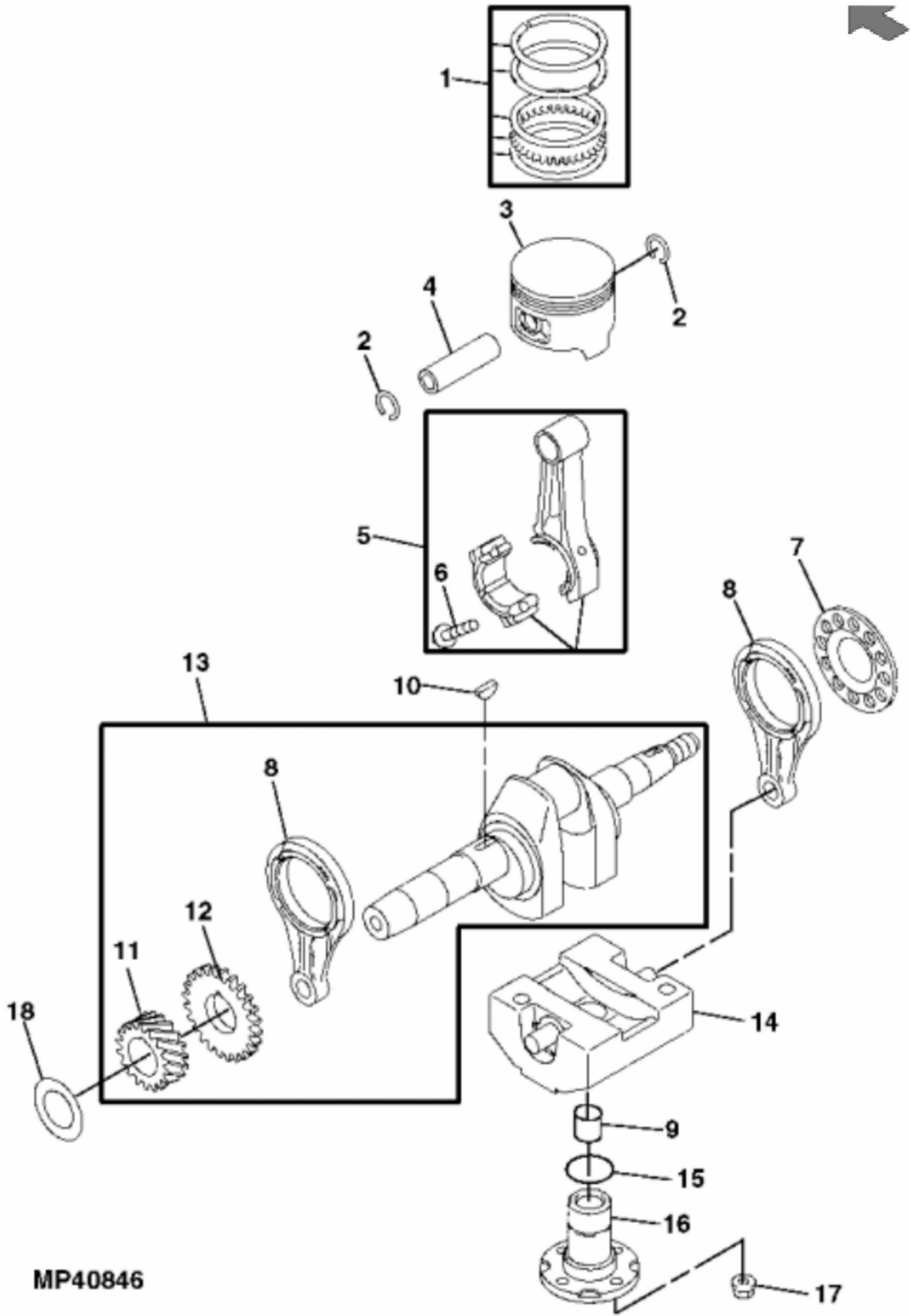
| KEY | PART NO. | PART NAME | QTY | Serial No. | REMARKS |
|-----|----------|-----------------------------|-----|------------|---|
| 1 | M70227 | PIN | 2 | | |
| 2 | PT18809 | ENGINE CYLINDER HEAD GASKET | 1 | | |
| 3 | MTU11949 | STUD | 3 | | |
| 4 | M119143 | BOLT | 8 | | NLA |
| 5 | MIA11326 | CYLINDER HEAD | 1 | | (ENGINE MARKED FE350D-BS22 AND FE350D-CS22) |
| 5 | MIA11481 | CYLINDER HEAD | 1 | | (ENGINE MARKED FE350D-AS25 AND FE350D-BS25) |
| 6 | M96547 | GUIDE | 2 | | |
| 7 | M70010 | SNAP RING | 2 | | |
| 8 | M73817 | VALVE | 2 | | |
| 9 | W40494 | PLATE | 1 | | |
| 10 | M95848 | SCREW | 2 | | |
| 11 | W40491 | GASKET | 1 | | |
| 12 | PT18811 | VALVE COVER | 1 | | |
| 13 | W40499 | O-RING | 2 | | |
| 14 | 19M8290 | SCREW | 2 | | M6 X 35 |
| 15 | M88987 | SEAL | 1 | | |
| 16 | PT18815 | SEAL | 1 | | |
| 17 | MIA11328 | CRANKCASE | 1 | | (ENGINE MARKED FE350D-BS22 AND FE350D-CS22) |
| 17 | MTU12170 | CRANKCASE | 1 | | (ENGINE MARKED FE350D-AS25 AND FE350D-BS25) |
| 18 | M74252 | PIN | 2 | | |
| 19 | M88447 | STUD | 4 | | |
| 20 | 19M8162 | SCREW | 4 | | M10 X 40, (ENGINE MOUNTING) |
| 21 | 14M7400 | LOCK NUT | 4 | | M10 |
| 22 | AM101062 | BEARING | 1 | | |
| 23 | UP04777 | DEFLECTOR | 1 | | |
| 24 | MTU11959 | GASKET | 1 | | |
| 25 | MIA11327 | COVER | 1 | | |
| 26 | PT18816 | SEAL | 1 | | |
| 27 | AM140007 | SUPPORT | 1 | | STRUT |
| 28 | 19M7868 | SCREW | 1 | | M8 X 30 |
| 29 | 19M8318 | SCREW | 6 | | M8 X 45 |
| 30 | 14M7396 | LOCK NUT | 3 | | M8 |
| 31 | M157675 | TRAY | 1 | | |
| 32 | 19M7862 | SCREW | 2 | | M6 X 20 |
| 33 | M84972 | NUT | 2 | | |

| KEY | PART NO. | PART NAME | QTY | Serial No. | REMARKS |
|-----|----------|-----------------|-----|-------------|---|
| 33 | R151387 | NUT | 2 | | |
| 34 | 24H1822 | WASHER | 1 | | 11/32" X 7/8" X 1/16" |
| 35 | MIA10993 | GASOLINE ENGINE | 1 | | NLA; MARKED FE350D-AS22; ORDER MIA11198; Not Illustrated |
| 35 | MIA11198 | GASOLINE ENGINE | 1 | | NLA; MARKED FE350D-BS22; ORDER MIA11446; Not Illustrated; California Only |
| 35 | MIA11088 | GASOLINE ENGINE | 1 | | NLA; MARKED FE350D-CS22; ORDER MIA11882; Not Illustrated; All Except California |
| 35 | MIA11446 | GASOLINE ENGINE | 1 | | NLA; MARKED FE350D-AS25; ORDER MIA11763; Not Illustrated |
| 35 | MIA11763 | GASOLINE ENGINE | 1 | | NLA; MARKED FE350D-AS25; ORDER MIA11882; Not Illustrated |
| 35 | MIA11882 | GASOLINE ENGINE | 1 | ____-100000 | MARKED FE350D-BS25; Not Illustrated |



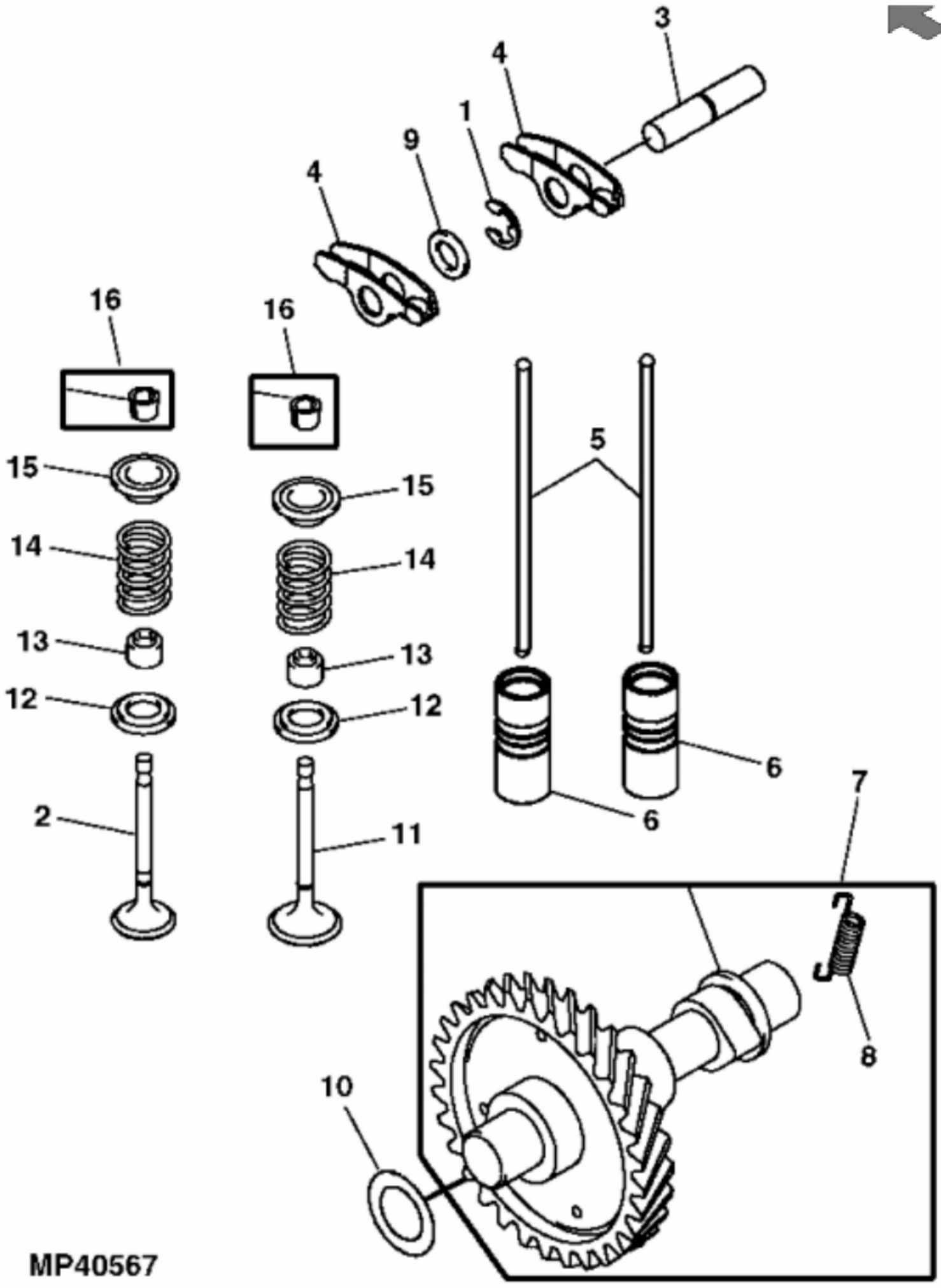
MP34347

| KEY | PART NO. | PART NAME | QTY | REMARKS |
|-----|----------|-----------------------------|-----|-------------|
| 1 | M97282 | GASKET | 1 | INSULATOR |
| 2 | MIU10614 | GASKET | 1 | CARBURETOR |
| 3 | M97278 | GASKET | 1 | AIR INTAKE |
| 4 | PT18840 | GASKET | 1 | OIL PUMP |
| 5 | W40499 | O-RING | 2 | |
| 6 | M88987 | SEAL | 1 | |
| 7 | PT18815 | SEAL | 1 | |
| 8 | PT18809 | ENGINE CYLINDER HEAD GASKET | 1 | |
| 9 | M88482 | GASKET | 1 | OIL GAUGE |
| 10 | M88478 | O-RING | 1 | |
| 11 | M88472 | O-RING | 1 | |
| 12 | M88476 | GASKET | 2 | |
| 13 | AW26837 | SCREEN | 1 | OIL |
| 14 | M70096 | O-RING | 1 | |
| 15 | PT18816 | SEAL | 1 | |
| 16 | MIU11959 | GASKET | 1 | CRANKCASE |
| 17 | MIU11973 | GASKET | 1 | MUFFLER |
| 18 | W40491 | GASKET | 1 | VALVE COVER |
| 19 | MIA11335 | GASKET KIT | 1 | |



MP40846

| KEY | PART NO. | PART NAME | QTY | REMARKS |
|-----|----------|-----------------|-----|--------------------|
| 1 | PT18819 | PISTON RING KIT | 1 | (STD) |
| 1 | UP04963 | PISTON RING KIT | 1 | .50MM (.020"), OS |
| 2 | PT18826 | SNAP RING | 2 | |
| 3 | PT18817 | PISTON | 1 | (STD) |
| 3 | UP04964 | PISTON | 1 | .50MM (.020"), OS |
| 4 | PT18818 | PISTON PIN | 1 | |
| 5 | MIU11982 | CONNECTING ROD | 1 | STD |
| 5 | UP04966 | CONNECTING ROD | 1 | .50MM (.020"), US |
| 6 | MIU11961 | BOLT | 2 | |
| 7 | M70055 | SPACER | 1 | |
| 8 | PT18823 | ROD | 2 | |
| 9 | M97230 | BEARING | 1 | |
| 10 | M77843 | SHAFT KEY | 1 | SUB FOR M88487 |
| 11 | MIU11980 | HELICAL GEAR | 1 | |
| 12 | UP04967 | GEAR | 1 | |
| 13 | MIA11482 | CRANKSHAFT | 1 | (SUB FOR MIA11329) |
| 14 | MIU11960 | WEIGHT | 1 | |
| 15 | M70096 | O-RING | 1 | |
| 16 | M70095 | SHAFT | 1 | |
| 17 | M70097 | NUT | 4 | |
| 18 | AM101106 | SHIM KIT | 1 | |
| 18 | PT18827 | SHIM | AR | (1.11) |
| 18 | PT18828 | SHIM | AR | (1.81) |
| 18 | MIU11962 | SHIM | AR | (1.04) |



MP40567

Please write to us.

Our email:

aservicemanualpdf@yahoo.com

**Please go to the homepage
to get the full manual, or
other brand PDF manuals.**

Home Site:

aservicemanualpdf.com

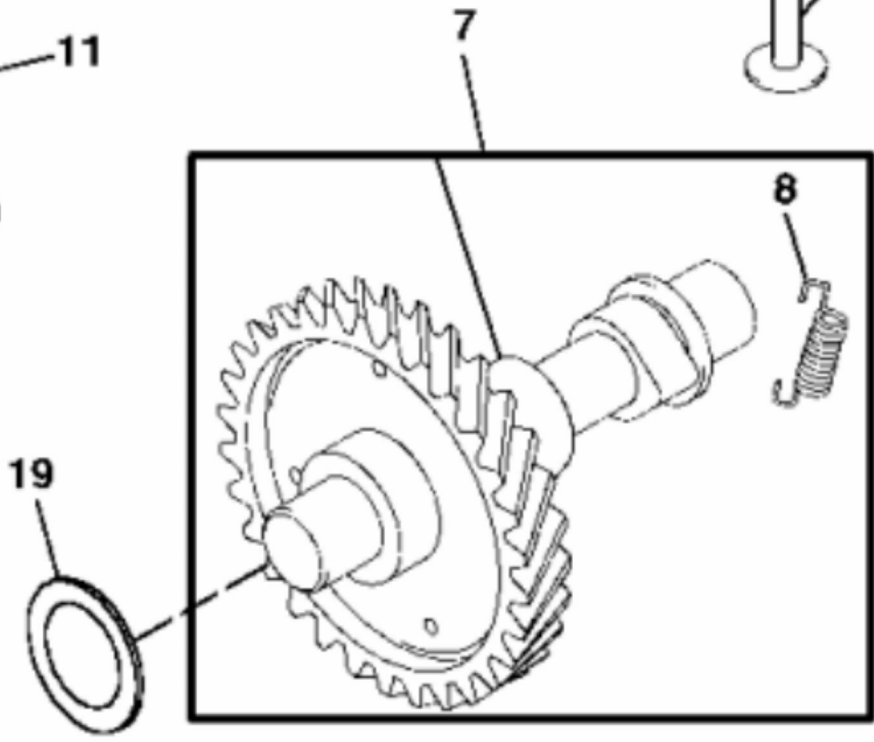
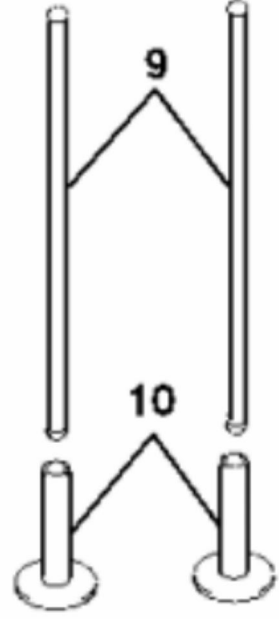
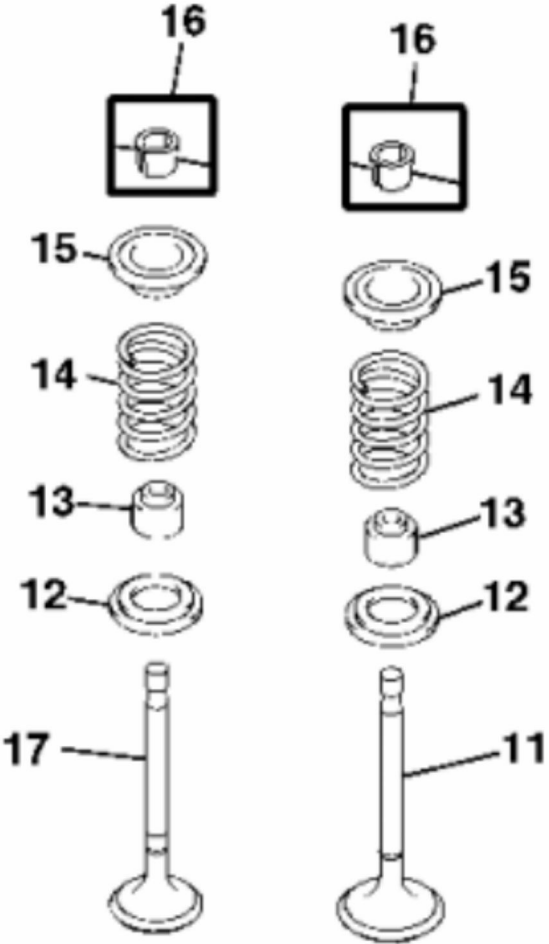
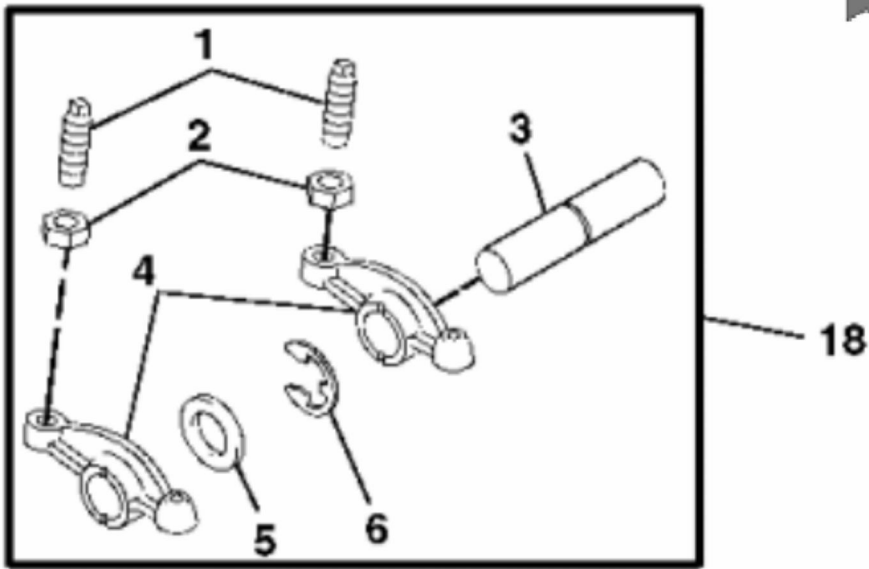
Thank you very much for your reading. Please Click Here. Then Get COMPLETE MANUAL. NO WAITING



NOTE:

If there is no response to click on the link above, please download the PDF document first and then click on it.

| KEY | PART NO. | PART NAME | QTY | REMARKS |
|-----|----------|------------------|-----|-------------------|
| 1 | W40430 | CLIP | 1 | |
| 2 | PT18830 | EXHAUST VALVE | 1 | |
| 3 | W40429 | ROCKER ARM SHAFT | 1 | |
| 4 | PT18831 | ROCKER ARM | 2 | |
| 5 | PT18833 | PUSH ROD | 2 | |
| 6 | MIU11963 | ADJUSTER | 2 | |
| 7 | MIA11330 | CAMSHAFT | 1 | |
| 8 | M70044 | SPRING | 1 | |
| 9 | W40507 | WASHER | 1 | |
| 10 | PT18837 | SHIM | AR | (0.3) |
| 10 | PT18838 | SHIM | AR | (0.4) |
| 10 | PT18839 | SHIM | AR | (0.5) |
| 10 | MIU11964 | SHIM | AR | (0.2) |
| 11 | MIU12133 | INTAKE VALVE | 1 | (SUB FOR PT18829) |
| 12 | M70033 | SEAT | 2 | |
| 13 | M70034 | SEAL | 1 | |
| 14 | PT18834 | SPRING | 1 | |
| 15 | M72322 | RETAINER | 2 | |
| 16 | AM132412 | RETAINER KIT | 2 | COLLET |



MP41378

| KEY | PART NO. | PART NAME | QTY | REMARKS |
|-----|----------|------------------|-----|---------|
| 1 | M76091 | SCREW | 2 | |
| 2 | M76092 | NUT | 2 | |
| 3 | W40429 | ROCKER ARM SHAFT | 1 | |
| 4 | W40428 | ROCKER ARM | 2 | |
| 5 | W40507 | WASHER | 1 | |
| 6 | W40430 | CLIP | 1 | |
| 7 | M1A11483 | CAMSHAFT | 1 | |
| 8 | M70044 | SPRING | 1 | |
| 9 | PT18833 | PUSH ROD | 2 | |
| 10 | M70213 | TAPPET | 2 | |
| 11 | MIU12133 | INTAKE VALVE | 1 | |
| 12 | M70033 | SEAT | 2 | |
| 13 | M70034 | SEAL | 2 | |
| 14 | PT18834 | SPRING | 2 | |
| 15 | M72322 | RETAINER | 2 | |
| 16 | AM132412 | RETAINER KIT | 2 | COLLET |
| 17 | PT18830 | EXHAUST VALVE | 1 | |
| 18 | AM109395 | ROCKER ARM | 1 | |
| 19 | PT18837 | SHIM | 1 | (0.3) |
| 19 | PT18838 | SHIM | 1 | (0.4) |
| 19 | PT18839 | SHIM | 1 | (0.5) |
| 19 | MIU11964 | SHIM | 1 | (0.2) |