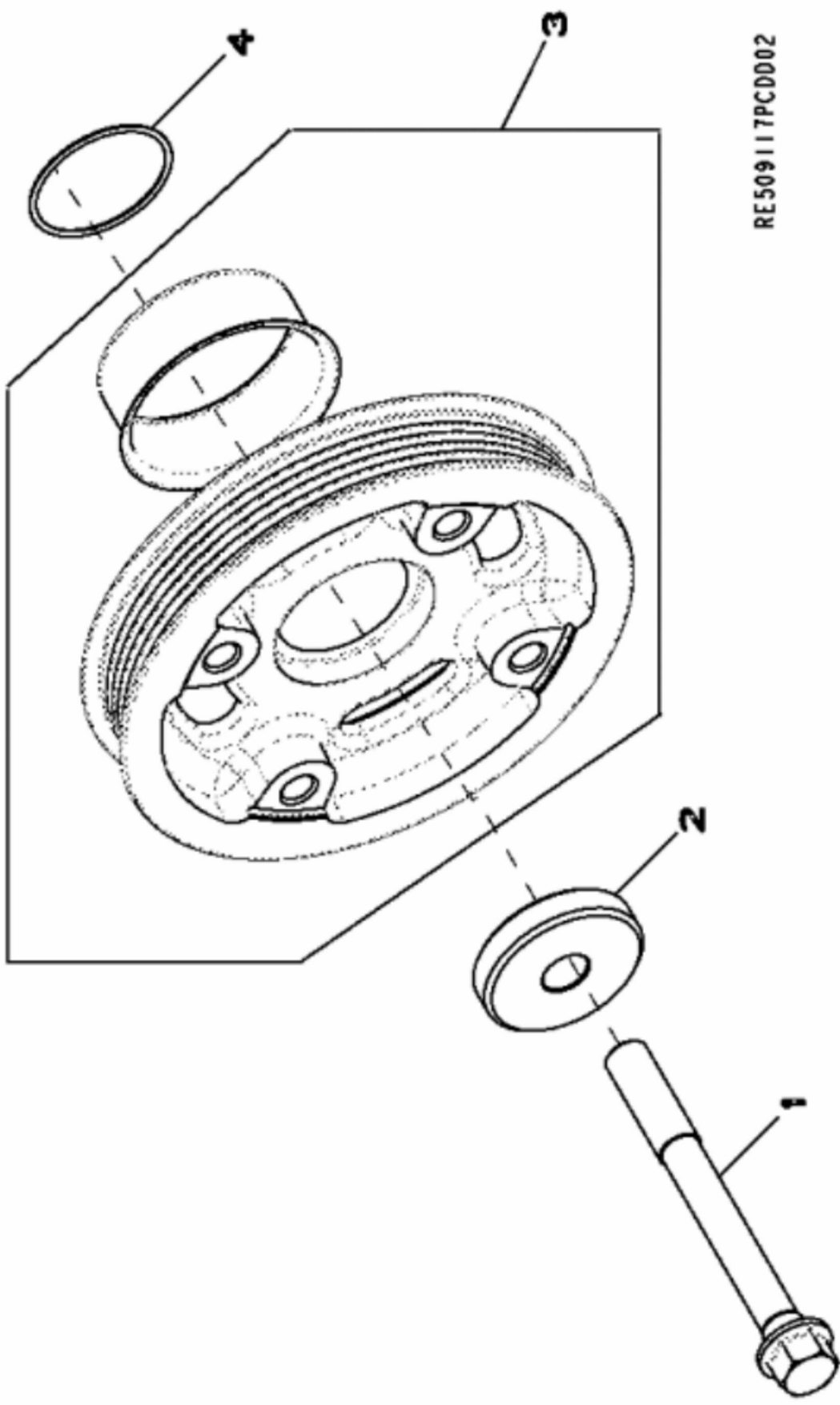


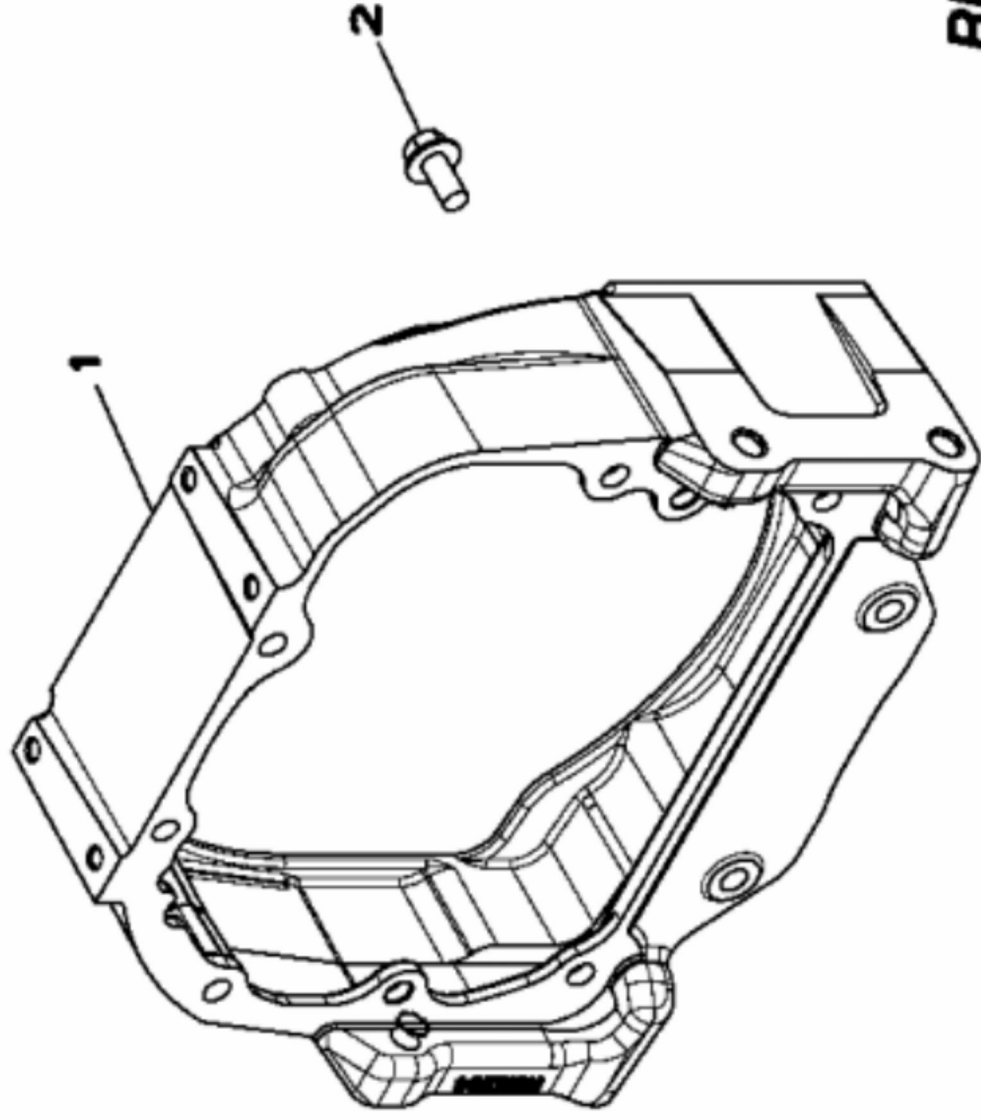
RE509872PCDD03

KEY	PART NO.	PART NAME	QTY	Engine Serial No.	REMARKS
1	RE517080	SCREW	5		
2	R26287	O-RING	5		
3	RE509946	VALVE COVER	1		
4	R504876	ISOLATOR	1		
5	37M7089	SCREW	2		M6 X 12
6	R515057	FILLER CAP	1		
7	RE42713	PIPE PLUG	1	____-052424	1/8"-27NPT
..	PM710XX280	SEALANT	AR		



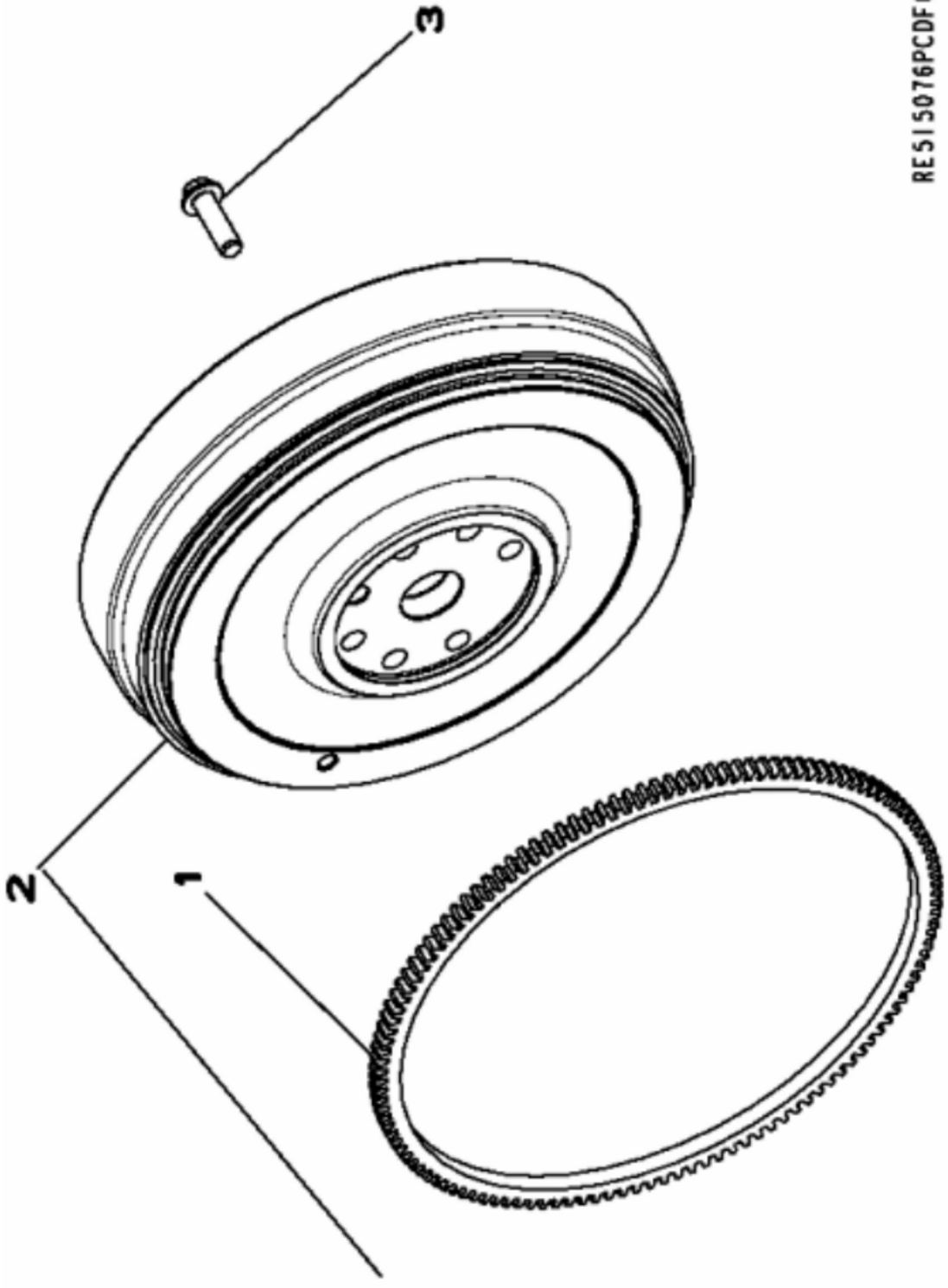
RE509117PCD002

KEY	PART NO.	PART NAME	QTY	REMARKS
1	R504680	CAP SCREW	1	M12 X 110
2	R502885	BUSHING	1	ID 13MM
3	RE520244	PULLEY	1	(ALSO ORDER AR67942)
4	T143324	O-RING	1	



**RE515286PCDD01**

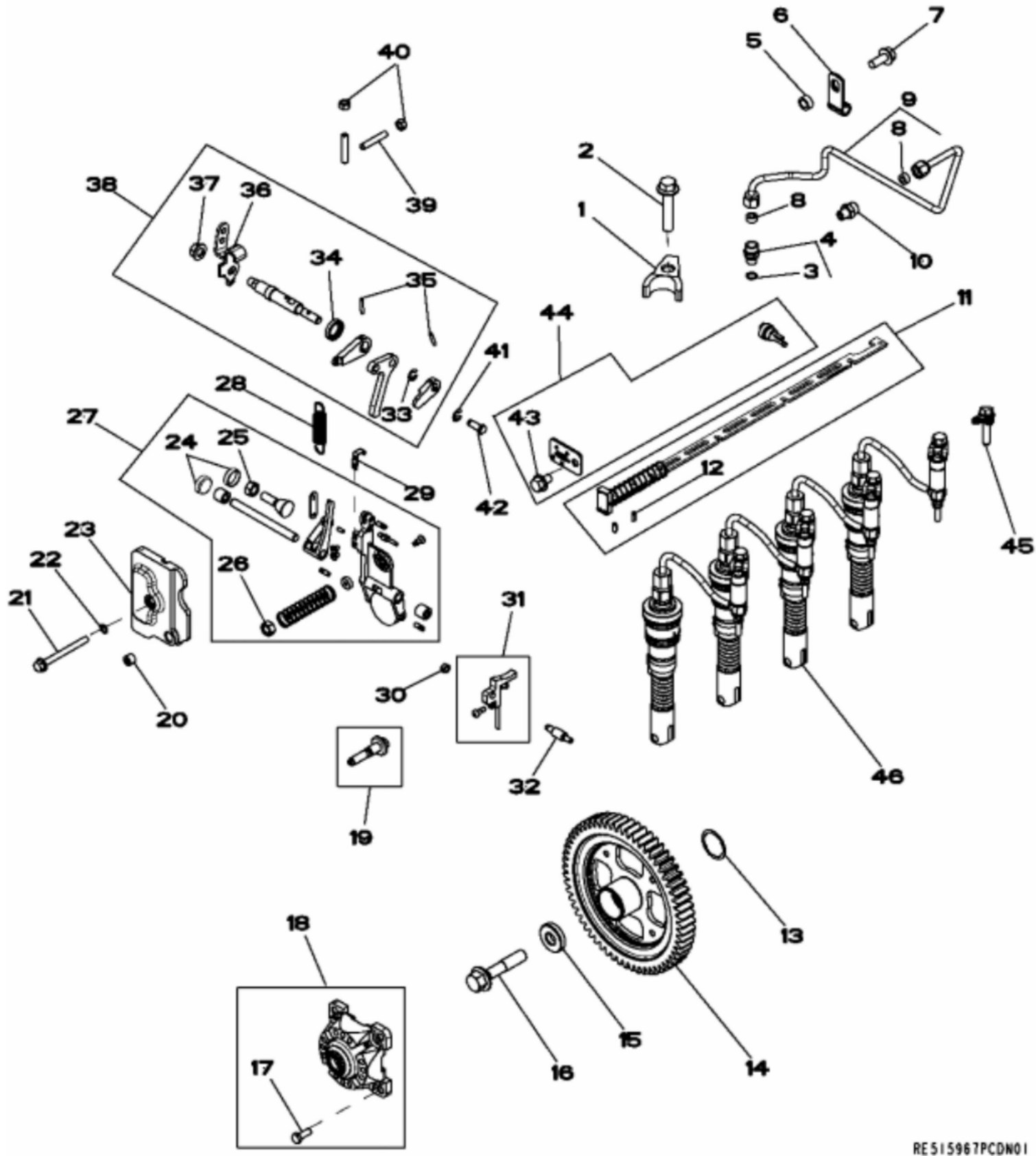
KEY	PART NO.	PART NAME	QTY	REMARKS
1	R515294	HOUSING	1	
2	19M7788	SCREW	3	M12 X 25



RE515076PCDF01

KEY	PART NO.	PART NAME	QTY	REMARKS
1	R519447	RING GEAR	1	Z = 127
2	RE508934	FLYWHEEL	1	(MARKED R505124) (SUB FOR RE530740 THIS APPLICATION)
3	RE515576	SCREW	6	M12 X 38

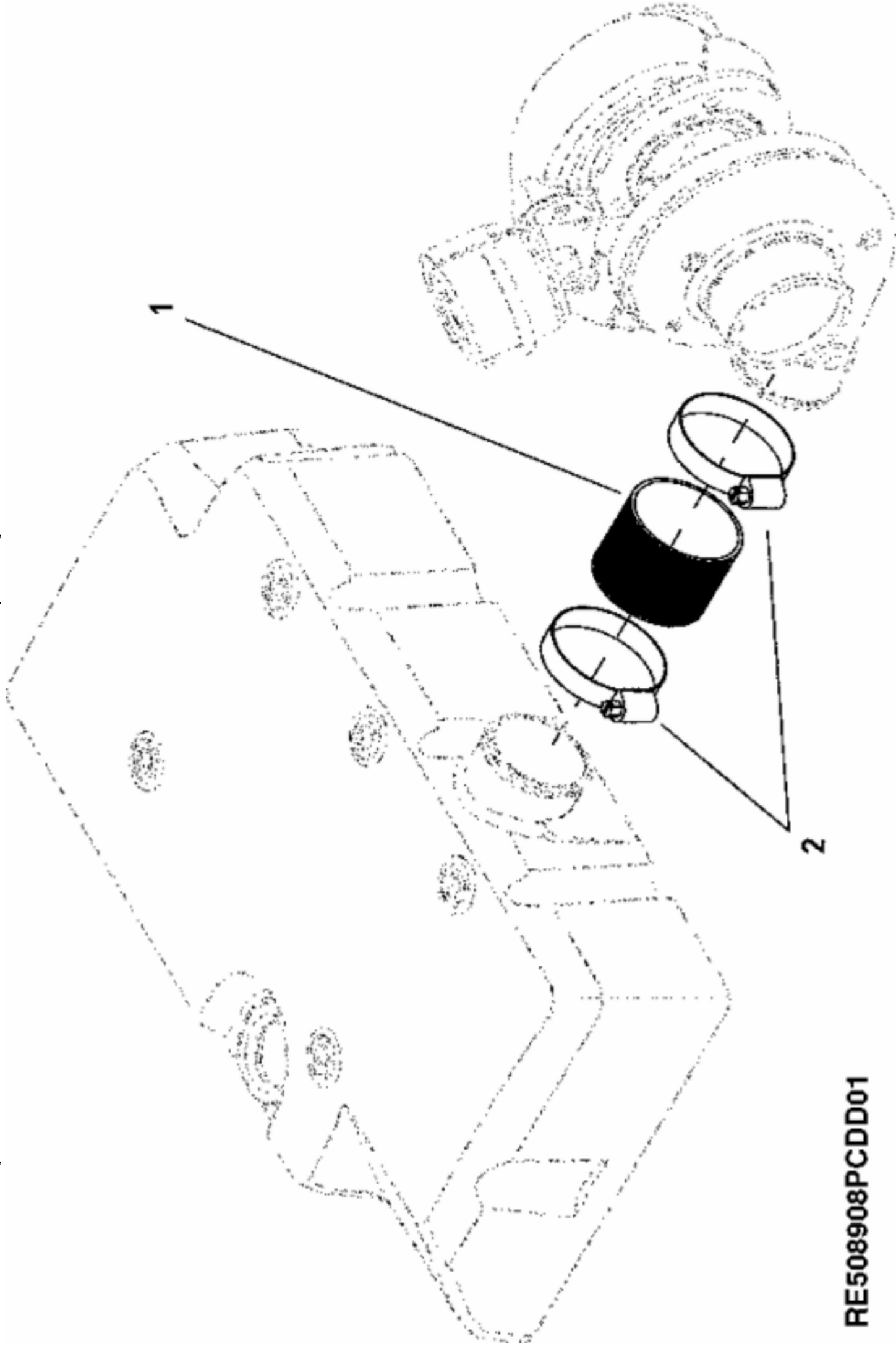




RE515967PCDN01

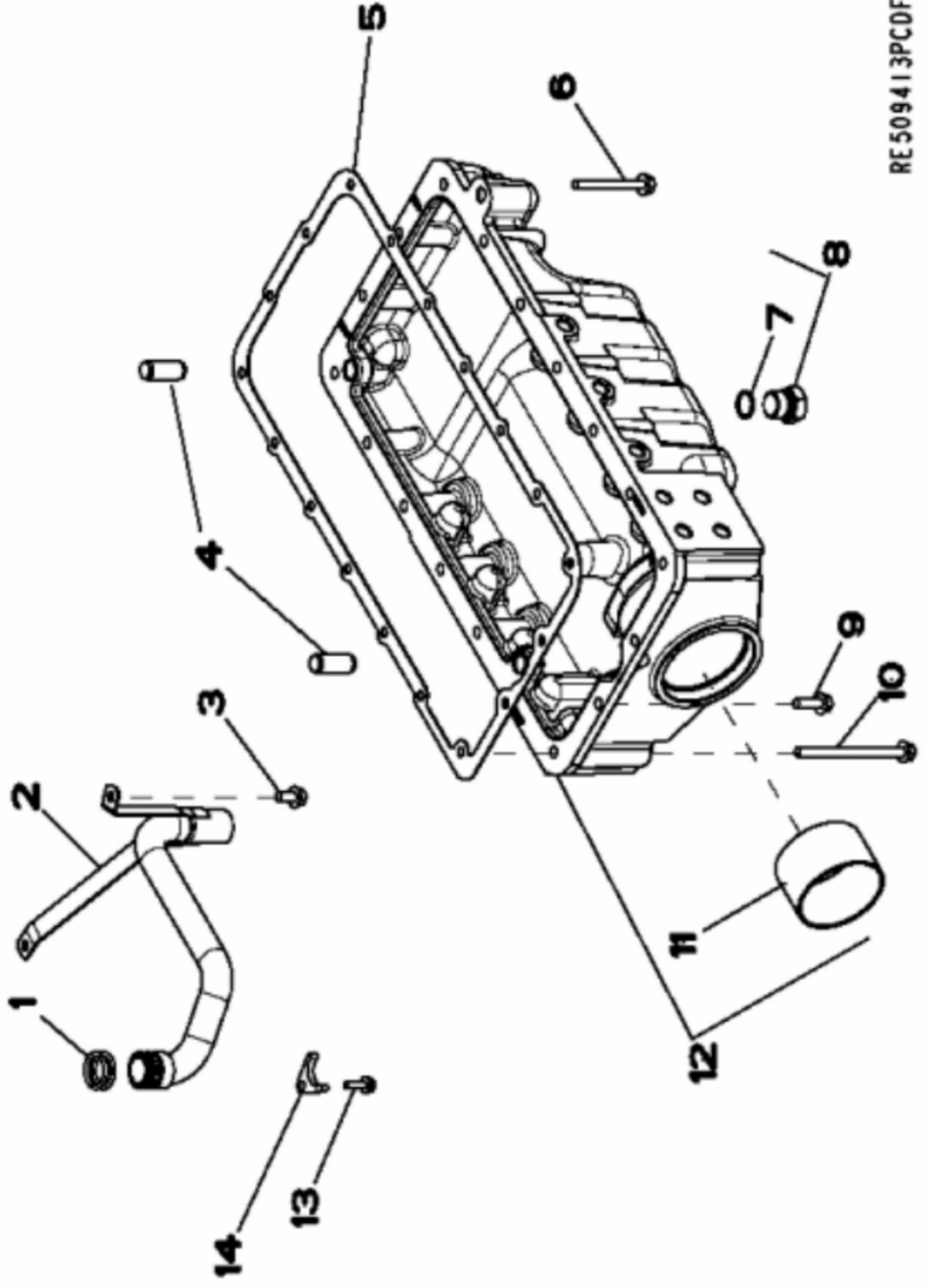
KEY	PART NO.	PART NAME	QTY	REMARKS
1	R524622	CLAMP	4	SUB FOR R502996
2	19M9766	SCREW	4	M10 X 45
3	51M7039	O-RING	1	8.100 X 1.600 mm
4	RE519890	ADAPTER FITTING	1	
5	28H1511	WASHER	1	0.364" X 0.540" X 1/4"
6	R135106	CLAMP	1	
7	19M7866	SCREW	1	M8 X 20
8	R51936	SEALING WASHER	2	
9	RE522410	ANEROID LINE	1	
10	RE502650	FITTING	1	
11	RE523411	RACK	1	
12	34M7201	SPRING PIN	2	4 X 10 mm
13	R515112	SHIM	1	
14	R523409	SPUR GEAR	1	CAMSHAFT; SUB FOR R502760
15	R516770	WASHER	1	
16	R517240	SCREW	1	
17	19M8425	CAP SCREW	4	M6 X 16
18	RE521054	ENGINE KIT	1	(Flyweight) ORDER RE528481 AND RE528480
18	RE528481	WEIGHT KIT	1	(Flyweight) USE WITH RE528480
19	RE540502	MAGNET KIT	1	SUB FOR RE526569
20	RE42713	PIPE PLUG	1	
21	19M8483	SCREW	1	M6 X 65
22	A4365R	O-RING	1	
23	R520209	COVER	1	
24	R504206	PLUG	1	
25	14M7147	NUT	1	M8
26	14M7273	NUT	1	M8
27	RE521049	GOVERNOR KIT	1	(R515352 Not Included In Kit) ORDER RE528480 AND RE528481
27	RE528480	GOVERNOR KIT	1	(R515352 Not Included In Kit) USE WITH RE528481
28	R515348	EXTENSION SPRING	1	
29	R515352	LEAF SPRING	1	
30	14M7297	NUT	1	M5
31	RE527454	LEVER	1	

KEY	PART NO.	PART NAME	QTY	REMARKS
32	R519746	STUD	1	
33	R72653	SNAP RING	1	
34	RE507488	SEAL	1	
35	34M7278	SPRING PIN	2	3 X 18 mm
36	RE524421	LEVER	1	
37	14M7298	FLANGE NUT	1	M8
38	RE524849	THROTTLE KIT	1	
39	22M7179	SET SCREW	2	M6 X 35
40	14M7272	NUT	2	M6
41	R72654	SNAP RING	1	
42	R515303	PIN FASTENER	1	
43	19M7864	SCREW	1	M8 X 12
44	.....	GUIDE KIT	1	9901 CODE; ORDER RE521048
45	R518615	CLAMP	4	
46	RE530803	FUEL INJECTION PUMP	4	SUB RE530823; THIS APPLICATION
46	SE502066	FUEL INJECTION PUMP REMAN	4	REMAN FOR RE530803
46	RE530823	FUEL INJECTION PUMP	4	
46	SE502068	FUEL INJECTION PUMP REMAN	4	REMAN FOR RE530823
46	.....	SEAL KIT	AR	9901 CODE; ORDER RE521175
..	PM710XX280	SEALANT	AR	



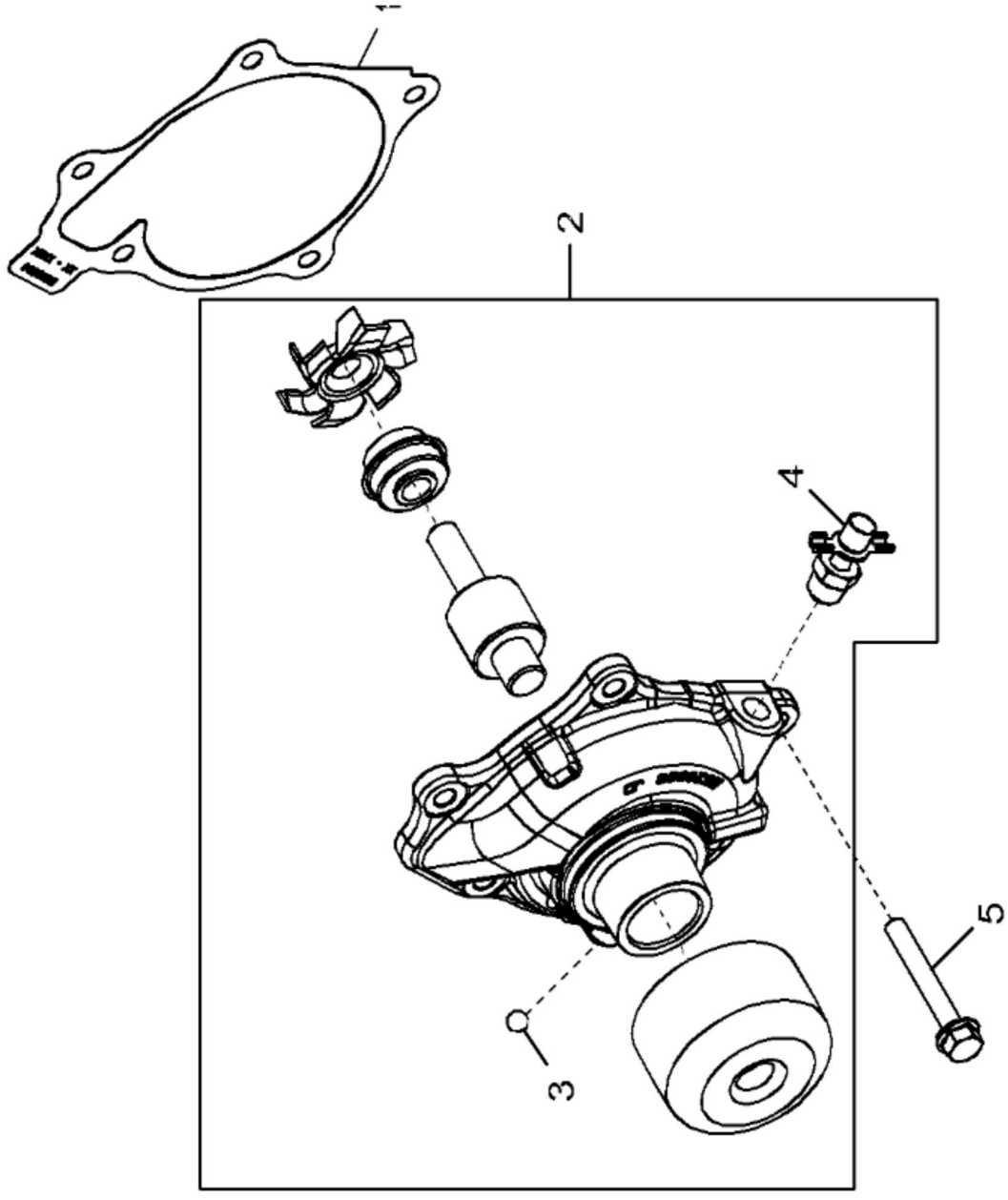
**RE508908PCDD01**

KEY	PART NO.	PART NAME	QTY	REMARKS
1	R518766	HOSE	1	LGTH=49MM
2	TY22470	CLAMP	2	



RE509413PCDF03

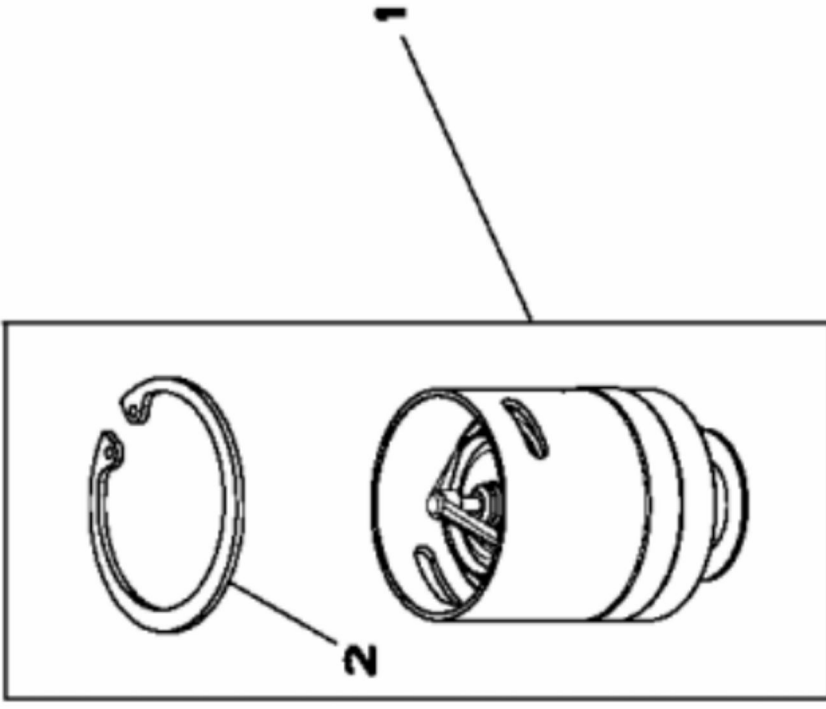
KEY	PART NO.	PART NAME	QTY	REMARKS
1	R47153	O-RING	2	
2	RE515078	TUBE	1	(ALSO ORDER (2) R47153 ) (USE WITH R502568)
2	RE530082	TUBE	1	(USE WITH R522220)
3	19M7865	SCREW	2	M8 X 16, (USE WITH RE515078)
3	21M7536	SCREW	2	M8 X 16, (USE WITH RE530082)
4	R521350	DOWEL PIN	2	(USE WITH RE526589)
4	R54380	DOWEL PIN	2	(USE WITH RE522549)
5	R519531	GASKET	1	
6	19M7803	SCREW	12	M8 X 70
7	51M7045	O-RING	1	19.300 X 2.200 mm
8	RE46687	DRAIN PLUG	1	
9	19M7867	SCREW	2	M8 X 25
10	19M7873	SCREW	4	M8 X 110
11	LVU14343	BUSHING	1	
12	RE526589	OIL PAN	1	(SUB FOR RE522549)
13	19M7862	SCREW	1	M6 X 20
14	R515110	CLAMP	1	
..	PM710XX280	SEALANT	AR	
..	.....	CYLINDER BLOCK	NA	(4600) (MARKED R502568 OR R522220)



2002\_RE518066\_PCD

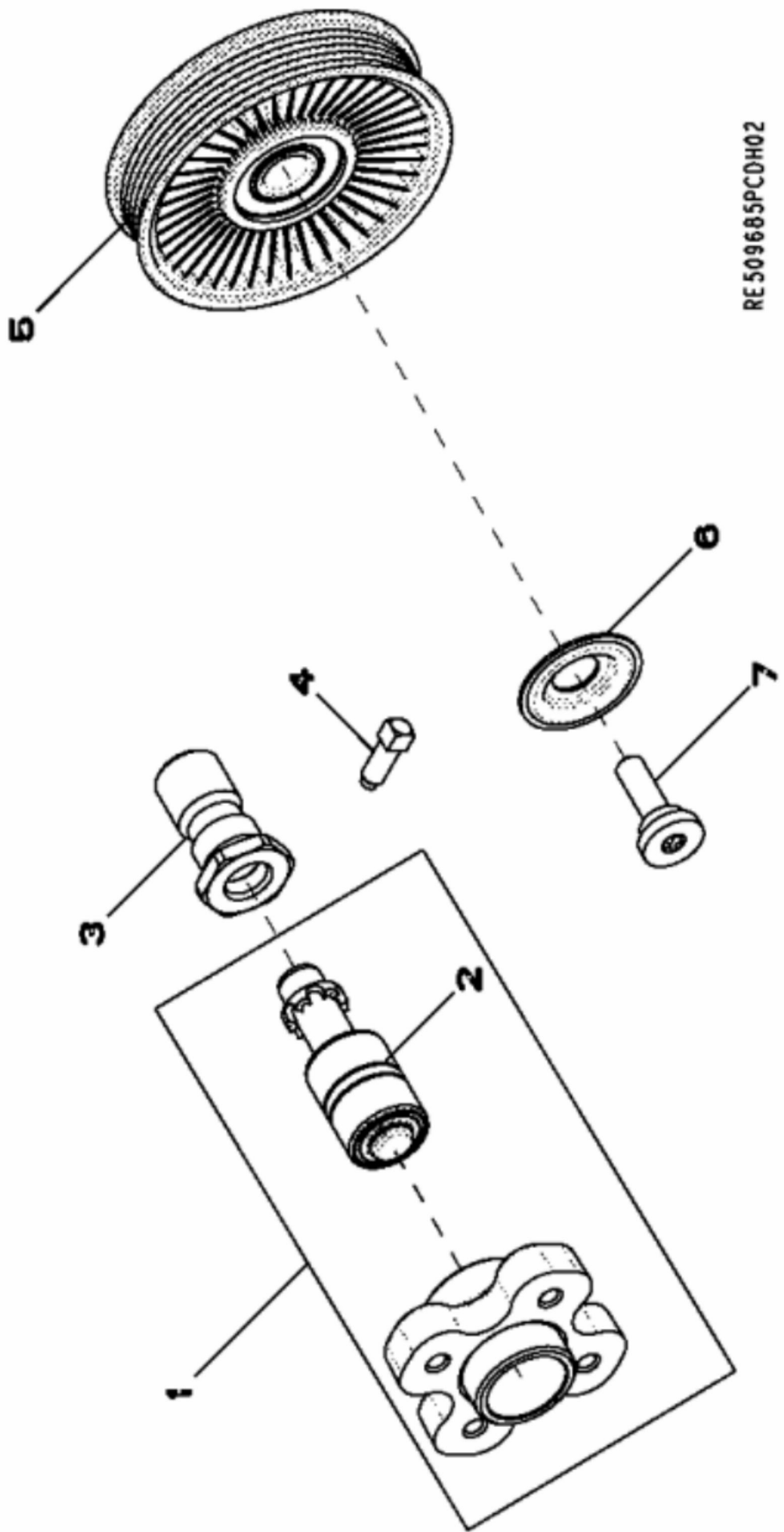


KEY	PART NO.	PART NAME	QTY	REMARKS
1	R533334	GASKET	1	
2	RE518520	WATER PUMP	1	ORDER RE545572
2	SE502115	WATER PUMP REMAN	1	REMAN FOR RE518520
2	RE545572	WATER PUMP	1	SUB FOR RE518520
3	R26552	BALL	1	
4	AT13740	DRAIN VALVE	1	1/4"-18 NPT
5	R106826	SCREW	5	



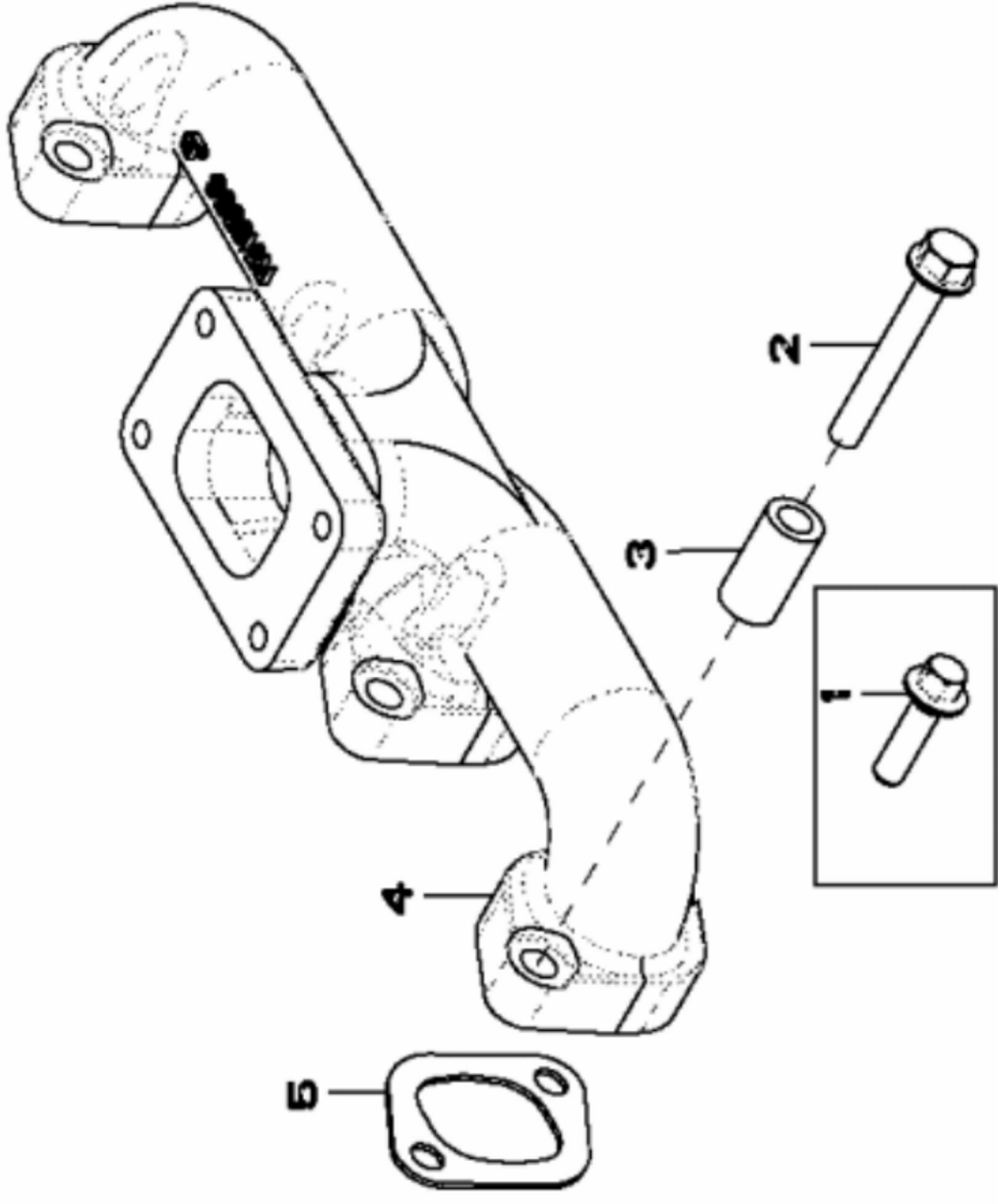
RE509124PCDG03

KEY	PART NO.	PART NAME	QTY	REMARKS
1	RE526915	THERMOSTAT KIT	1	(9901) (SUB FOR RE506111 OR RE527857)
2	R523237	SNAP RING	1	(USE WITH RE526915)



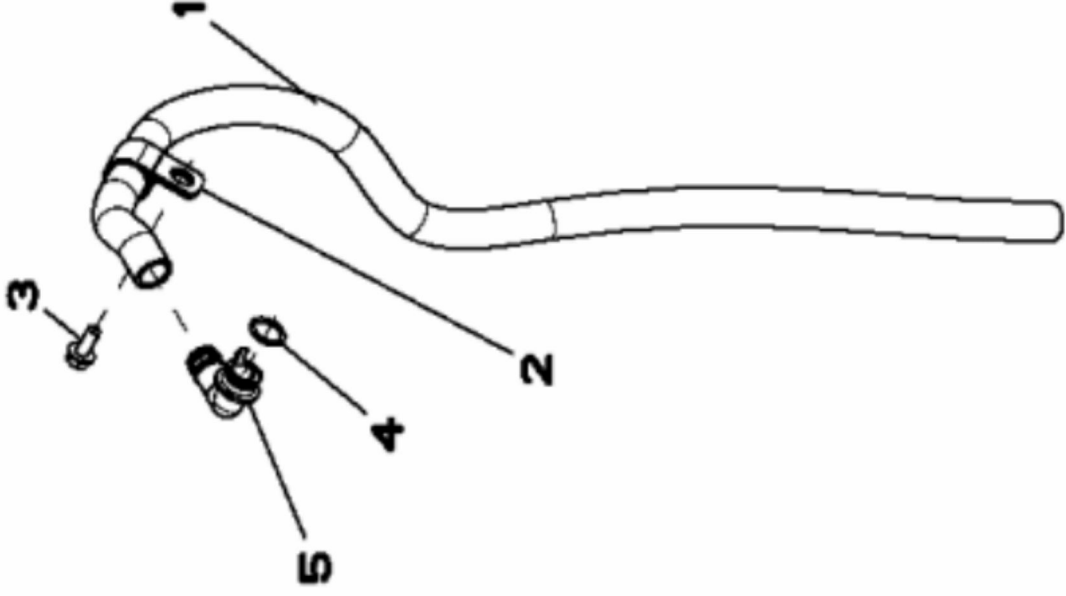
RE509685PCDH02

KEY	PART NO.	PART NAME	QTY	Engine Serial No.	REMARKS
1	RE505621	HUB	1		
2	R520229	BALL BEARING	1		
3	R515308	BUSHING	1	____-012403	(USE WITH R504054)
3	R519436	TUBE NUT	1	012404-____	(USE WITH R519653)
4	22M7171	SET SCREW	1		M8 X 20
5	RE527250	IDLER	1		(Not As Illustrated) (SUB RE537940 ) (ALSO ORDER R527985 AND R527987 ) (SUB FOR RE515375)
5	RE537940	IDLER	1		(USE WITH R527985 AND R527987)
6	R515135	SLEEVE	1		(Not As Illustrated) (SUB R527985 ) (ALSO ORDER R527987)
6	R527985	DUST SHIELD	1		(USE WITH R527987)
7	R153677	SCREW	1		(Not As Illustrated) M10 X 35, (SUB R527987 ) (ALSO ORDER R527985)
7	R527987	SOCKET HEAD SCREW	1		(USE WITH R527985)
..	.....	COVER	1	____-012403	(4401) (USE WITH R504054)
..	.....	COVER	1	012404-____	(4401) (USE WITH R519653)



RE509650PCDE03

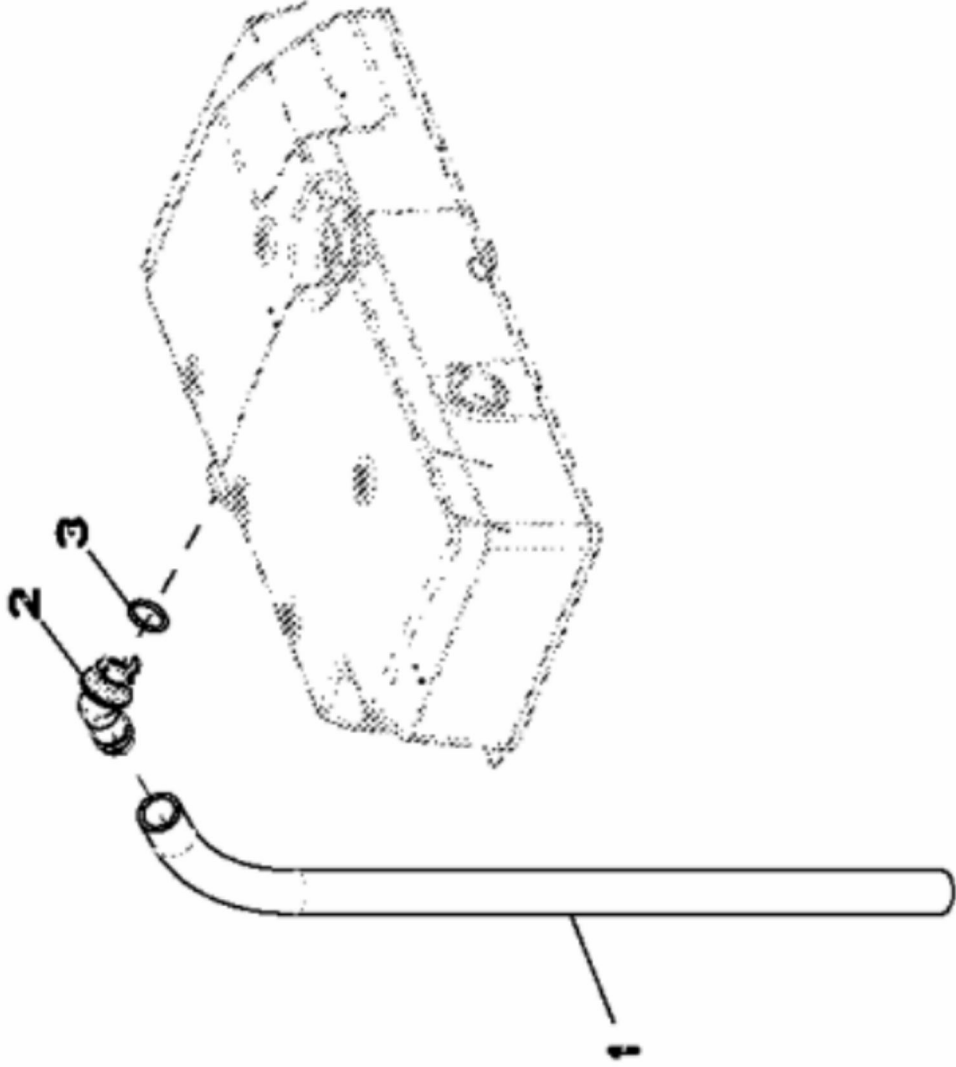
KEY	PART NO.	PART NAME	QTY	REMARKS
1	R516662	SCREW	8	M8 X 30
2	19M7801	SCREW	8	M8 X 60, (USE WITH R525211)
3	R525211	SPACER	8	
4	R518558	EXHAUST MANIFOLD	1	
5	R515296	GASKET	4	



**RE509130PCDD02**

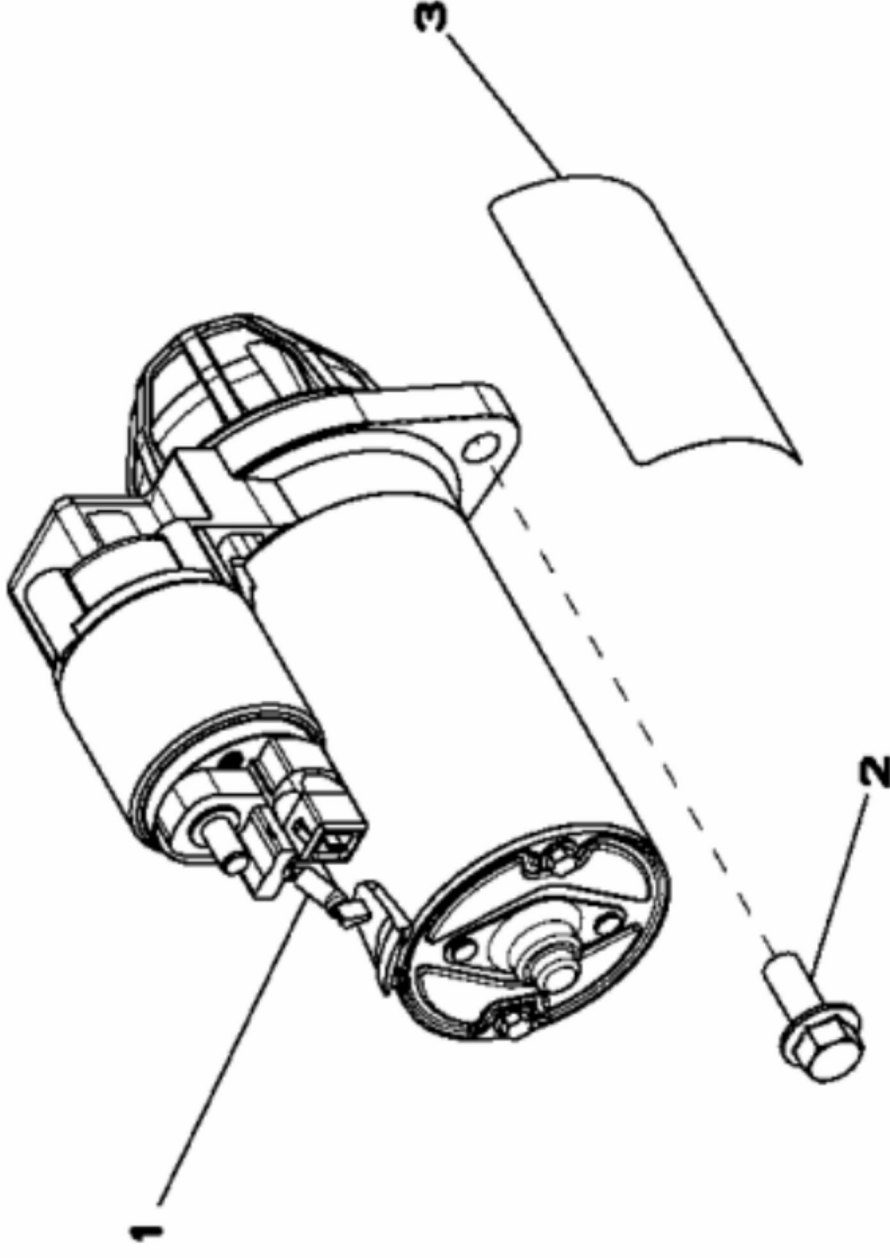


KEY	PART NO.	PART NAME	QTY	REMARKS
1	TY22450	BULK HOSE	1	(SUB FOR R99793 THIS APPLICATION)
2	R72659	CLAMP	1	
3	19M7866	SCREW	1	M8 X 20
4	R72328	O-RING	1	
5	R120467	ELBOW FITTING	1	90°



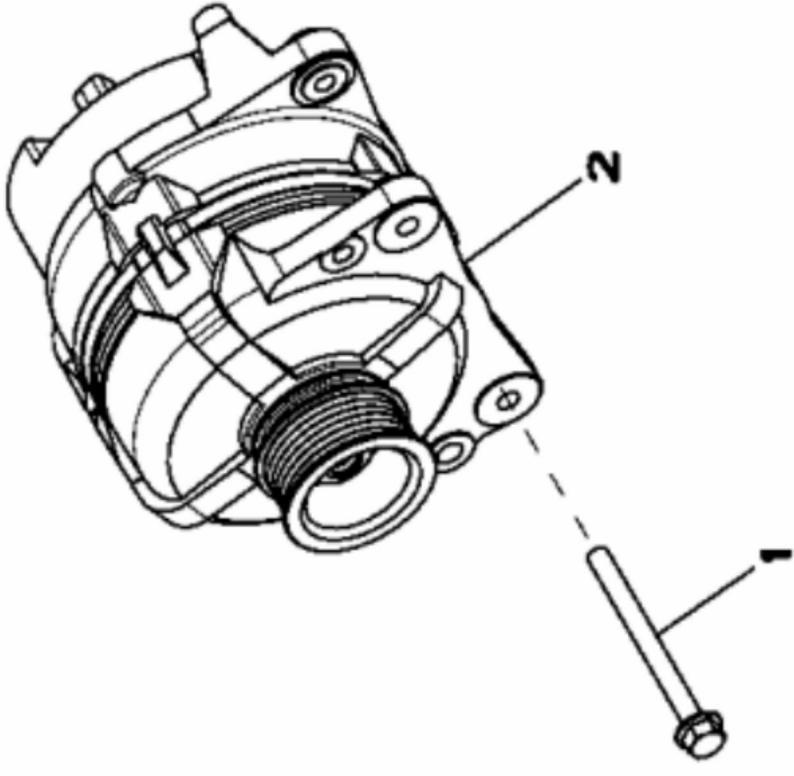
RE522699PCDD01

KEY	PART NO.	PART NAME	QTY	REMARKS
1	TY22450	BULK HOSE	1	(SUB FOR R99793 THIS APPLICATION)
2	R123586	ELBOW FITTING	1	45°
3	R72328	O-RING	1	



RE509688PCDE02

KEY	PART NO.	PART NAME	QTY	REMARKS
1	RE508922	STARTER MOTOR	1	12V - (ROBERT BOSCH); ORDER RE540304
1	SE501844	STARTER MOTOR REMAN	1	12V; REMAN FOR RE508922; ORDER RM100034
1	RM100034	STARTER MOTOR REMAN	1	REMAN FOR RE508922
2	19M7785	SCREW	1	M10 X 25
3	T146102	LABEL	1	
3	T146106	SAFETY SIGN	1	(Spanish)
3	T146104	SAFETY SIGN	1	(French)
3	T146515	SAFETY SIGN	1	(German)
3	T146516	SAFETY SIGN	1	(Italian)



RE509689PCDE01

KEY	PART NO.	PART NAME	QTY	REMARKS
1	19M7913	SCREW	1	M8 X 90
2	RE529377	ALTERNATOR	1	12V - 70AMP (BOSCH) )SUB FOR RE509648)
2	SE501831	ALTERNATOR REMAN	1	REMAN FOR RE529377

**Please write to us.**

**Our email:**

**aservicemanualpdf@yahoo.com**

**Please go to the homepage  
to get the full manual, or  
other brand PDF manuals.**

**Home Site:**

**aservicemanualpdf.com**

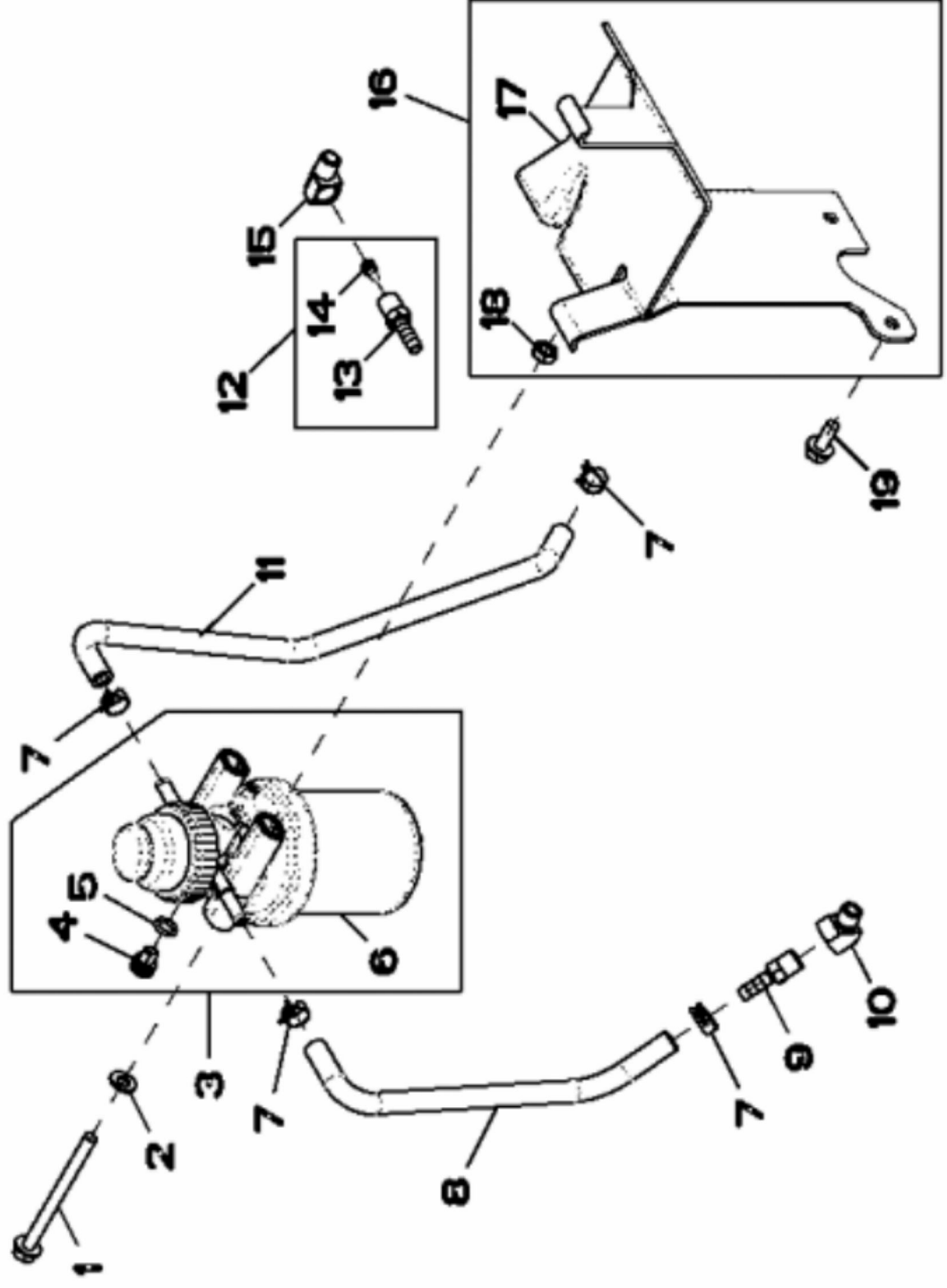


**Thank you very much for  
your reading. Please Click  
Here. Then Get COMPLETE  
MANUAL. NO WAITING**



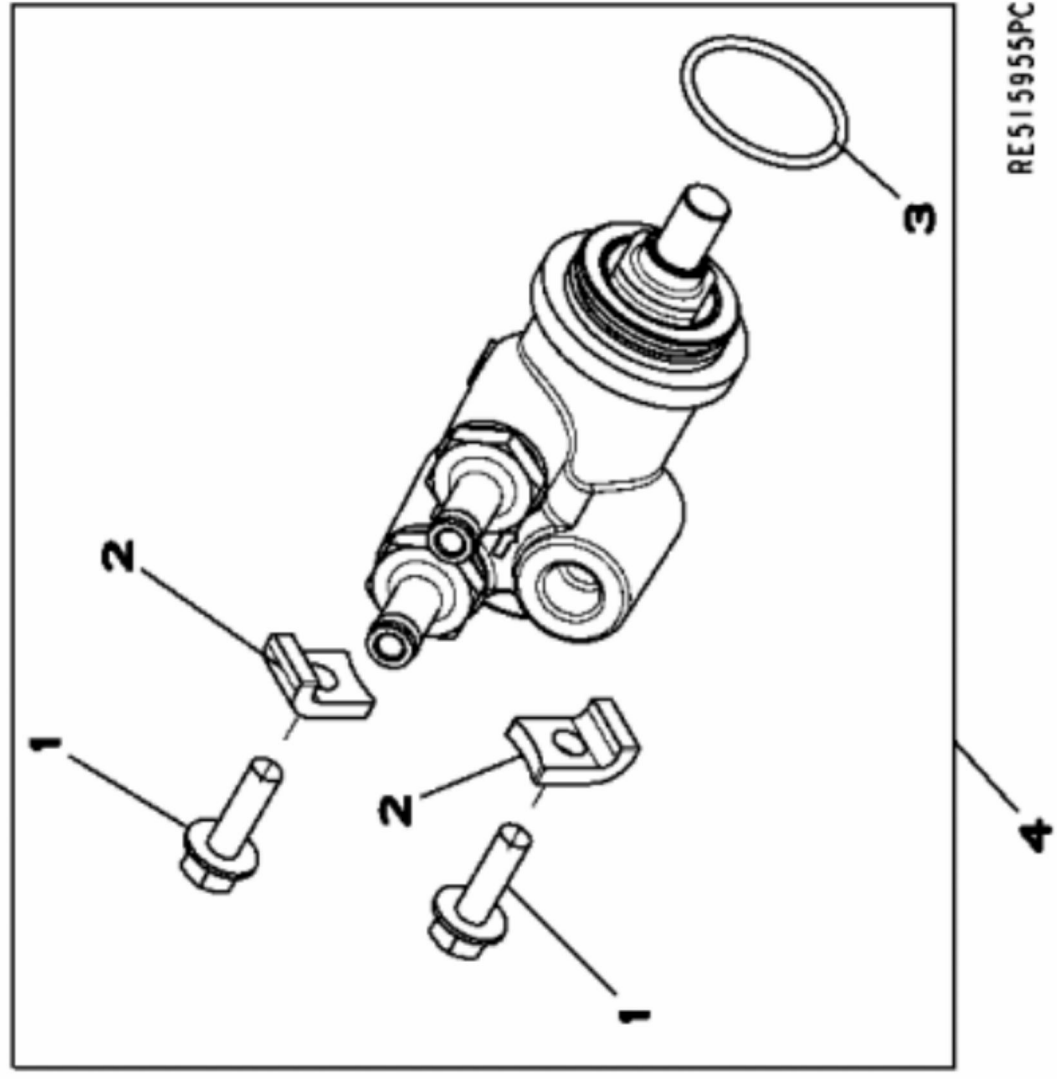
**NOTE:**

**If there is no response to  
click on the link above,  
please download the PDF  
document first and then  
click on it.**



RE519636PCDK02

KEY	PART NO.	PART NAME	QTY	Engine Serial No.	REMARKS
1	19M7970	SCREW	2		M8 X 100
2	T27860	WASHER	2		
3	RE509441	FUEL FILTER	1	____-065019	(ORDER RE525105)
3	RE525105	FUEL FILTER	1	065020-____	
4	R113563	DRAIN PLUG	1	065020-____	(ALSO ORDER R113562)
5	R113562	O-RING	1	065020-____	
6	RE508202	FILTER ELEMENT	1		
7	TY22462	CLAMP	4	____-065019	(USE WITH RE509441)
7	R517159	HOSE CLAMP	4	065020-____	
8	TY22324	BULK HOSE	AR	____-048389	(SUB R521518 AND R522675, THIS APPLICATION)
8	R521518	HOSE	1	048390-____	
9	RE533488	HOSE FITTING	1		(SUB FOR R517103)
10	R522675	ELBOW FITTING	1		(SUB FOR 15H220 OR R517102, THIS APPLICATION)
11	R522212	HOSE	1		(SUB FOR TY22324 THIS APPLICATION)
12	RE540179	HOSE FITTING	1		(SUB FOR RE508755)
13	.....	HOSE FITTING	1		(NSEP) (ORDER RE540179)
14	.....	CHECK VALVE	1		(NSEP) (ORDER RE540179)
15	RE533485	ELBOW FITTING	1		(SUB FOR R517102)
16	LVA15335	BRACKET	1		(SUB FOR LVA12990)
17	.....	BRACKET	1		(NSEP) (ORDER LVA15335)
18	.....	WELD NUT	2		(NSEP) (ORDER LVA15335)
19	19M7866	SCREW	2		M8 X 20



RE515955PCDE02