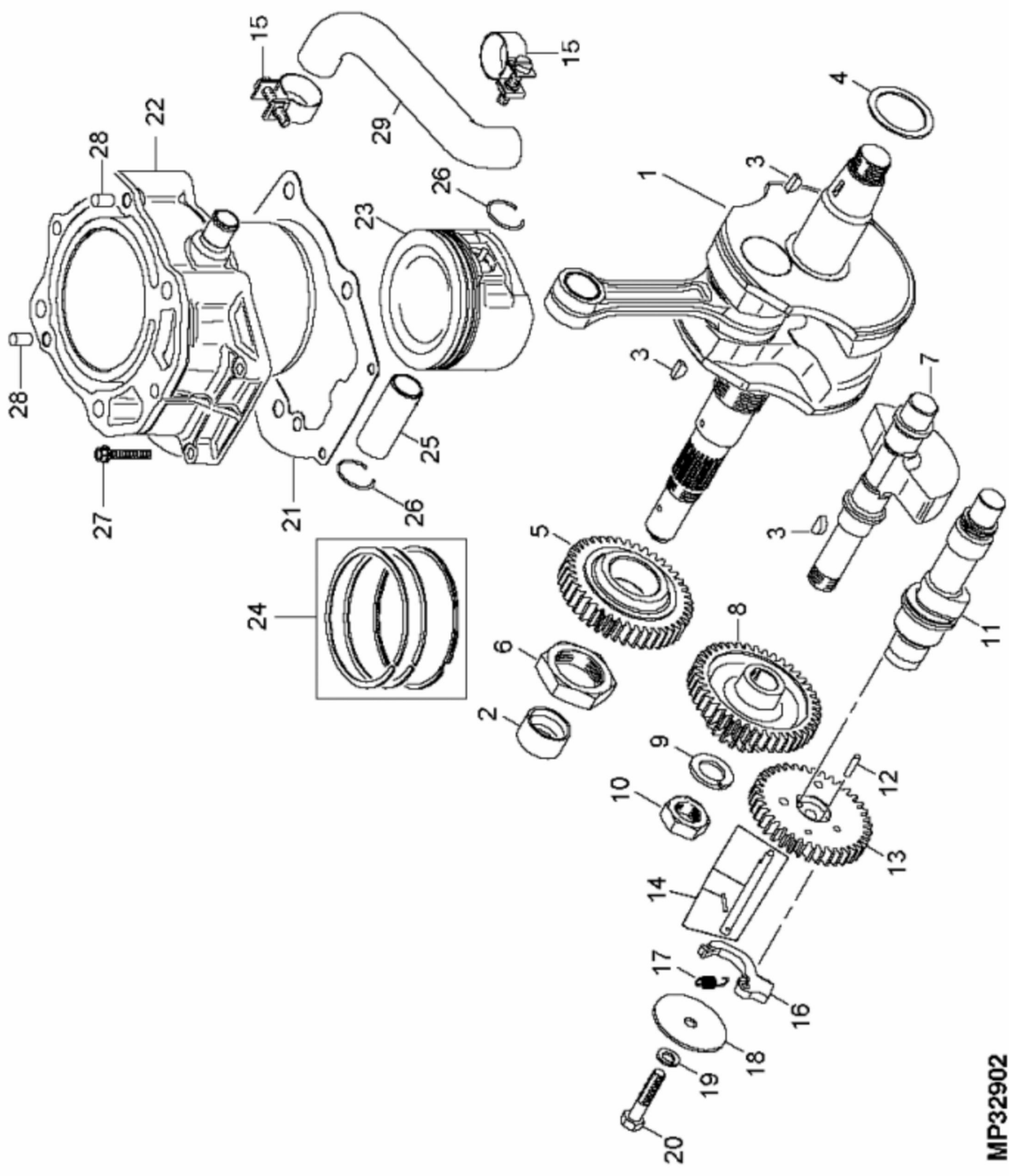


MP32908

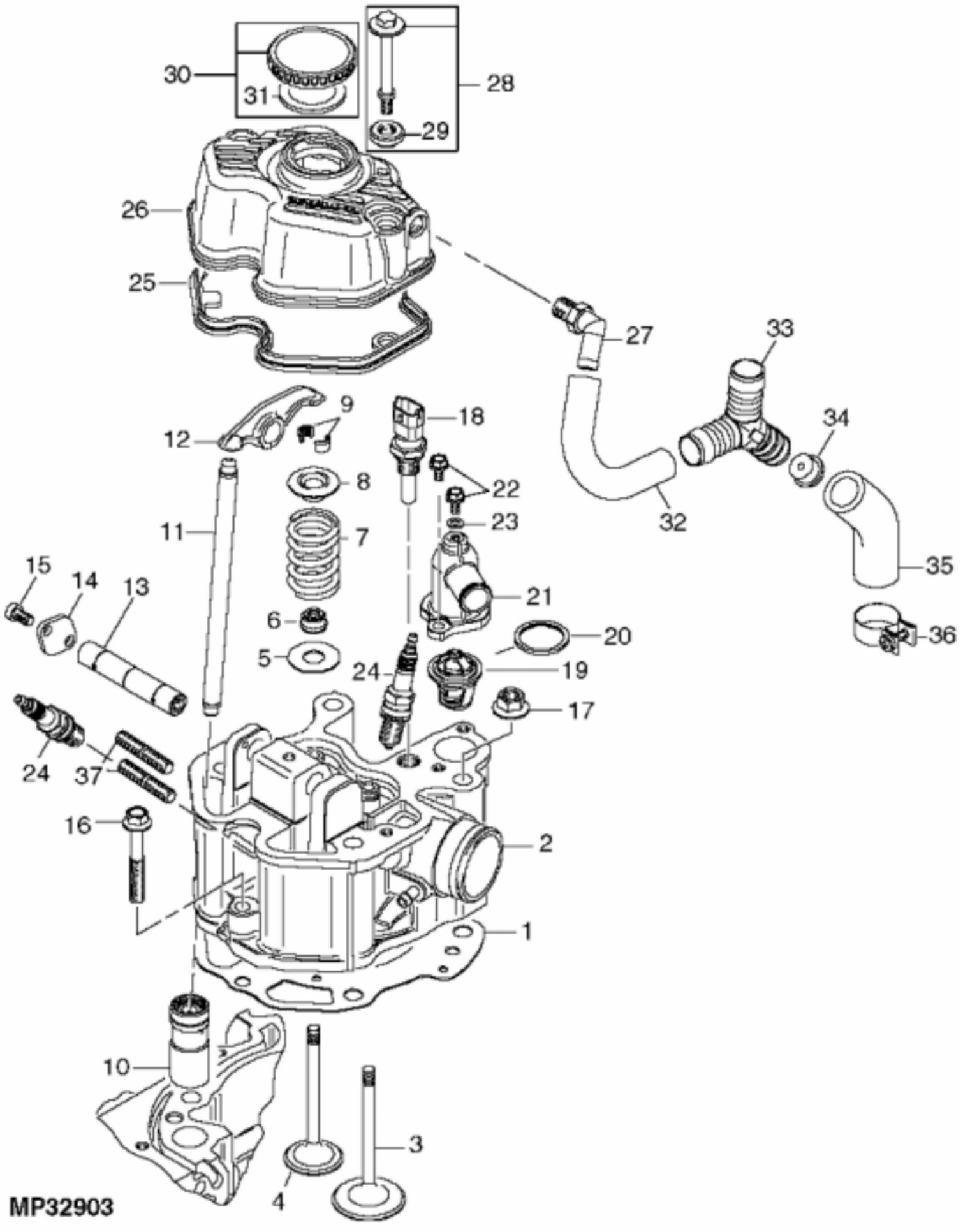
KEY	PART NO.	PART NAME	QTY	REMARKS
1	C420295881	CRANKCASE	1	(INCLUDES (2) C420224260)
2	C290632010	DOWEL PIN	4	
3	C420224260	OIL LINE	2	
4	C420241531	SCREW	1	
5	C420232764	BALL BEARING	2	
6	.....	WASHER	1	
7	C420241941	BOLT	1	
8	C420932095	BALL BEARING	1	
9	C420232490	BALL BEARING	1	
10	C420632200	BALL BEARING	1	
11	C420220570	SHAFT	1	
12	C420640351	SCREW	13	
13	.....	BOLT	3	
14	C420650960	RING	1	
15	C420610141	HOUSING	1	
16	C420956275	ROTOR	1	OIL PUMP
17	C420256720	ISOLATOR	1	OIL SEPARATING FOAM
18	C420220592	SHAFT	1	OIL PUMP
19	C420232730	PIN	1	
20	C420211852	COVER	1	
21	R64525	THRUST WASHER	1	
22	C420232970	PIN	1	
23	C420240400	SCREW	3	
24	C420635030	GEAR	1	
25	N33504	SNAP RING	1	
26	C420610131	COVER	1	
27	C420241751	BOLT	3	
28	C420224622	PIPE	1	
29	C420627437	SUPPORT	1	
30	.....	BOLT	1	
31	C420627432	SUPPORT	1	
32	14M7165	LOCK NUT	1	M6
33	C420256590	PISTON	1	
34	C420238020	SPRING	1	
35	51M7013	SEALING RING	1	

KEY	PART NO.	PART NAME	QTY	REMARKS
36	C420241700	PLUG	1	
37	C420840651	PLUG	1	
38	C420256572	SIEVE	1	
39	C420931385	O-RING	1	
40	C420256652	RESERVOIR	1	
41	C420650950	RING	1	
42	C420211941	COVER	1	
43	C420241861	BOLT	6	
44	C420241670	STUD	4	
45	C420230150	RING	1	
46	C420250050	O-RING	1	
47	C420640790	PLUG	2	
48	C420229470	ROD	1	
49	C420229170	GROOVE PIN	1	
50	C420932650	BALL BEARING	1	
51	C420650700	SEAL	1	
52	C420932825	BALL BEARING	1	
53	C420932815	BALL BEARING	1	
54	C290932095	BALL BEARING	1	
55	C420432120	BALL BEARING	1	
56	C420232280	BALL BEARING	1	
57	C420650422	GASKET	1	CRANKCASE
58	C420256602	SLEEVE	1	
59	C420256631	PLUNGER	1	(SUB FOR C420256630)
60	C420938785	COMPRESSION SPRING	1	



MP32902

KEY	PART NO.	PART NAME	QTY	REMARKS
1	C421000157	CRANKSHAFT	1	(INCLUDES C420247070) (SUB FOR C420295893)
2	C420247070	SPACER	1	
3	C420246570	SHAFT KEY	3	
4	C420427505	WASHER	1	35 X 45 X 1.3MM
4	C420427506	WASHER	1	35 X 45 X 1.5MM
4	C420427507	WASHER	1	35 X 45 X 1.8MM
5	C420635011	GEAR	1	
6	C420842605	NUT	1	
7	C420220471	BALANCER	1	(SUB FOR C420220470)
8	C420635100	GEAR	1	
9	C290945757	LOCK WASHER	1	
10	C420942220	NUT	1	
11	C420220462	CAMSHAFT	1	
12	C420232420	PIN	1	
13	C420634956	GEAR	1	
14	C420220615	SHAFT	1	
15	C420951760	HOSE CLAMP	2	
16	C420231050	WEIGHT	1	
17	C420239570	SPRING	1	
18	C420244260	WASHER	1	
19	.....	LOCK WASHER	1	
20	19M7323	CAP SCREW	1	M8 X 40
21	C420650430	GASKET	1	
22	C420613177	CYLINDER	1	(INCLUDES PARTS MARKED (A))
23	C420296110	PISTON	1	(A) (INCLUDES C420296114)
24	C420296114	PISTON RING KIT	1	(A)
25	C420216225	PISTON PIN	1	
26	C420245431	CLIP	2	
27	C420941126	SCREW	3	
28	C420632010	PIN	2	
29	C420222285	HOSE	1	

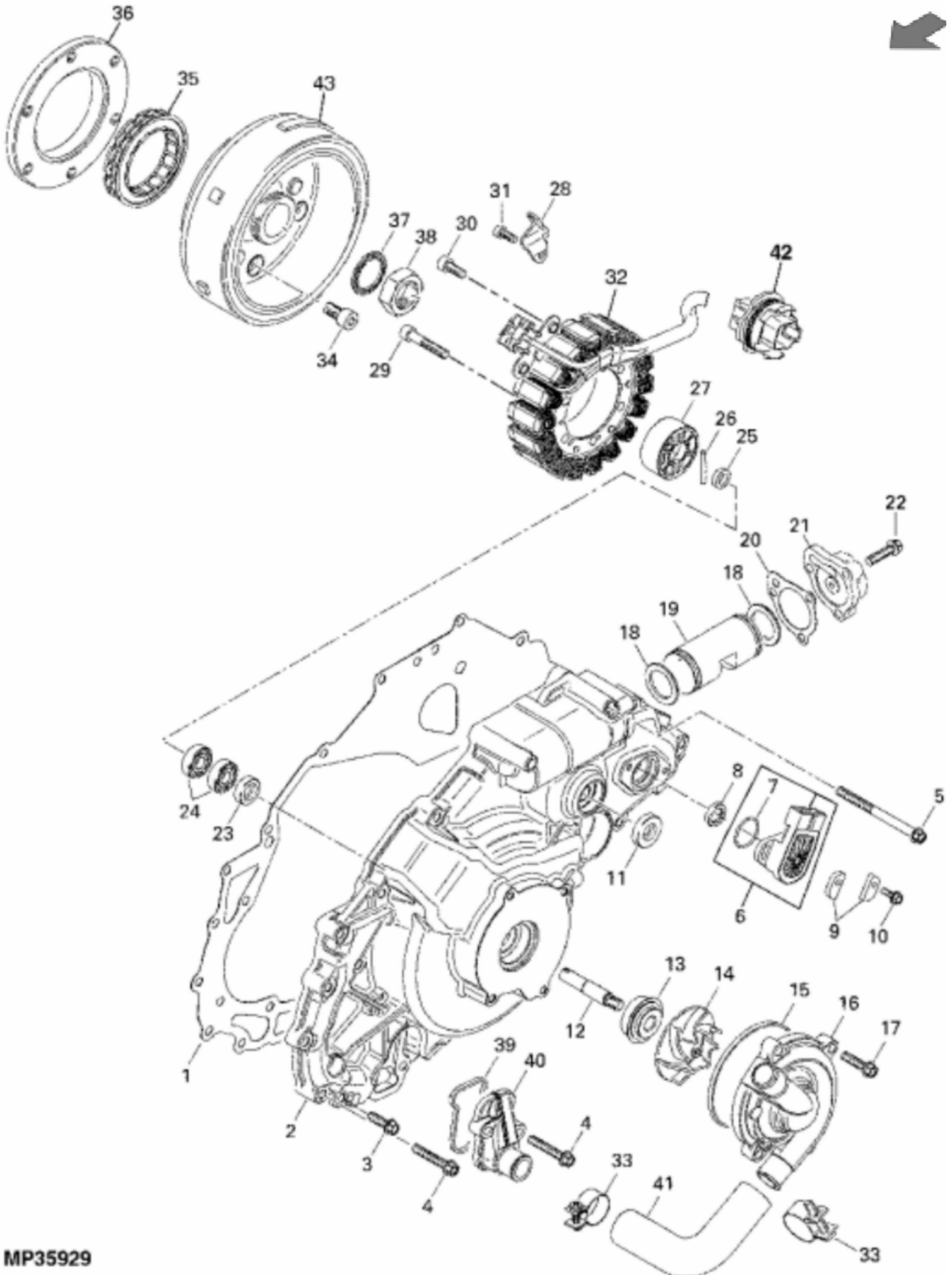


MP32903

KEY	PART NO.	PART NAME	QTY	REMARKS
1	C420650446	GASKET	1	CYLINDER HEAD
2	C420613375	CYLINDER HEAD	1	
3	C420254050	INTAKE VALVE	1	
4	C420254062	EXHAUST VALVE	1	
5	C420227980	WASHER	2	
6	C420230810	SEAL	2	
7	C420239500	SPRING	2	
8	C420254100	WASHER	2	
9	C420253090	RETAINER	4	
10	C420854096	VALVE LIFTER	2	NLA; ORDER C420854098 (SUB FOR C420854094)
10	C420854098	VALVE LIFTER	2	
11	C420854575	PUSH ROD	2	
12	C420254083	ARM	2	
13	C420254110	SHAFT	1	
14	C420244250	COVER	1	
15	C420241681	SCREW	2	
16	C420240326	SCREW	2	
17	14M7296	FLANGE NUT	4	M10
18	C278001016	TEMPERATURE SENSOR	1	COOLANT TEMPERATURE, (SUB FOR C420222425)
19	C420222495	THERMOSTAT	1	(INCLUDES C420650300)
20	C420650300	GASKET	1	
21	C420222560	HOUSING	1	THERMOSTAT
22	C420241751	BOLT	3	
23	C404146600	WASHER	1	
24	B1DR8EA	SPARK PLUG	2	(SUB FOR C707000008)
25	C420650450	GASKET	1	VALVE COVER
26	C420211835	COVER	1	VALVE
27	C420922245	OIL LINE	1	
28	C420240906	BOLT	2	
29	C420260050	BUSHING	2	
30	C420974644	CAP	1	
31	C420650990	GASKET	1	
32	C420222610	HOSE	1	
33	C420874380	FITTING	1	
34	C420222590	FITTING	1	

KEY	PART NO.	PART NAME	QTY	REMARKS
35	C420222600	HOSE	1	
36	C420951760	HOSE CLAMP	1	
37	C420940366	STUD	2	

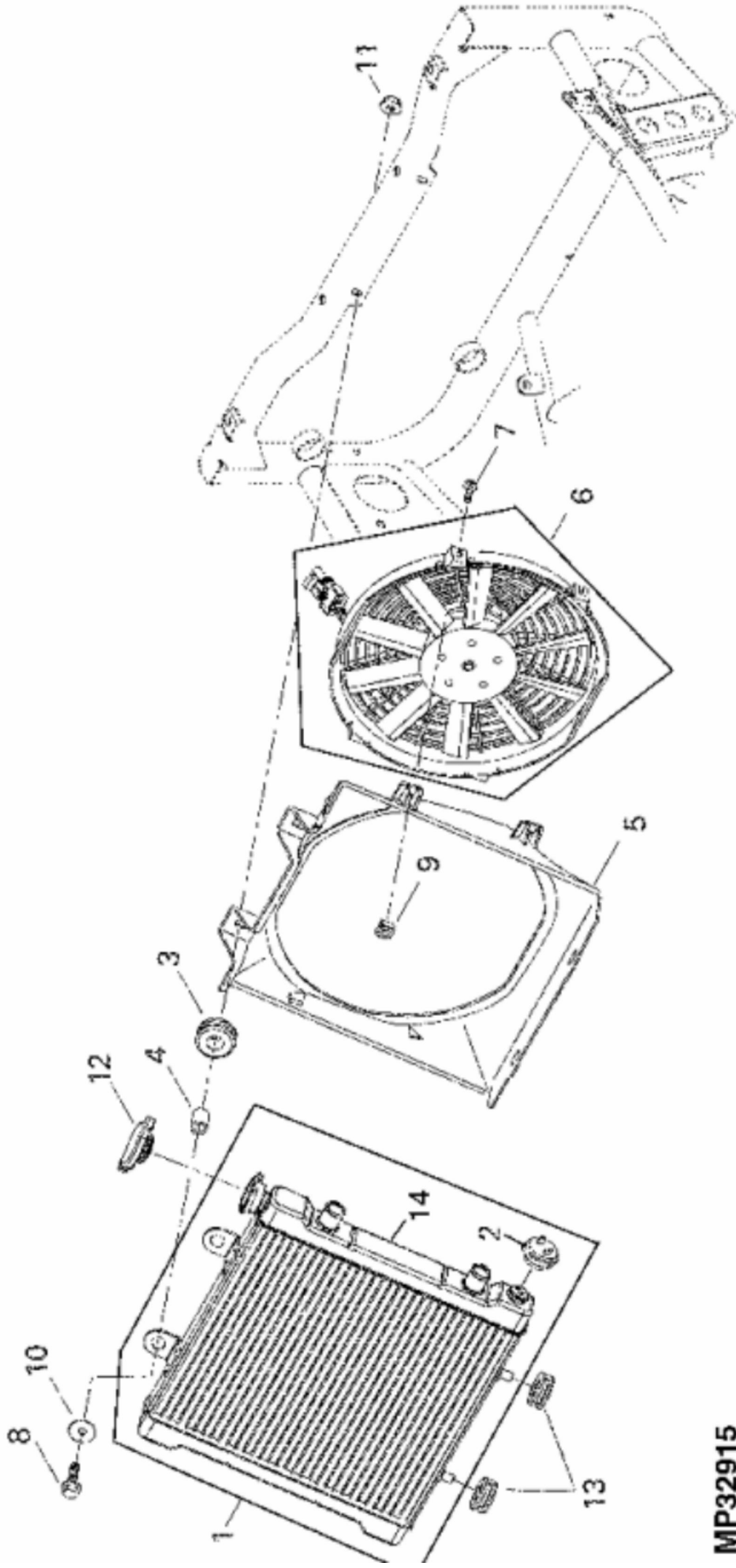




MP35929

KEY	PART NO.	PART NAME	QTY	REMARKS
1	C420650603	GASKET	1	IGNITION COVER
2	C420211821	COVER	1	IGNITION
3	C420241861	BOLT	1	
4	C420941126	SCREW	16	
5	C420940576	SCREW	2	
6	C420265611	SENSOR	1	GEAR BOX POSITION
7	C420931390	O-RING	1	
8	C420230870	SEAL	1	
9	C420224630	RETAINER	2	
10	19M7703	SCREW	2	M4 X 12
11	C420950400	SEAL	1	
12	C420220560	SHAFT	1	
13	C420650370	SEAL	1	
14	C420222540	IMPELLER	1	
15	C420650570	RING	1	
16	C420222550	HOUSING	1	WATER PUMP
17	C420241911	SCREW	4	
18	C420650660	O-RING	2	
19	C420257140	PISTON	1	
20	C420650640	GASKET	1	
21	C420211950	COVER	1	
22	C420241911	SCREW	3	
23	C420250080	SEAL	1	
24	C420632170	BALL BEARING	2	
25	C420247030	SLEEVE	1	
26	C420932885	PIN	1	
27	C420659190	PAWL	1	
28	C420251180	CLAMP	1	
29	C420941126	SCREW	3	
30	C420241751	BOLT	2	
31	C210251180	SCREW	1	(SUB FOR C732600027)
32	C420296321	STATOR	1	
33	C420951760	HOSE CLAMP	2	
34	19M7647	SCREW	6	M8 X 16
35	C420659117	CLUTCH	1	

KEY	PART NO.	PART NAME	QTY	REMARKS
36	C420659220	HOUSING	1	
37	C420245875	WASHER	1	
38	C420242875	NUT	1	
39	C420650940	O-RING	1	
40	C420222620	COVER	1	
41	C420222630	HOSE	1	
42	C420966522	ELECTRICAL CONNECTOR ASSY	1	
42	57M7678	ELEC. CONNECTOR TERMINAL	1	
43	C420296335	ROTOR	1	



**MP32915**

**Please write to us.**

**Our email:**

**aservicemanualpdf@yahoo.com**

**Please go to the homepage  
to get the full manual, or  
other brand PDF manuals.**

**Home Site:**

**aservicemanualpdf.com**

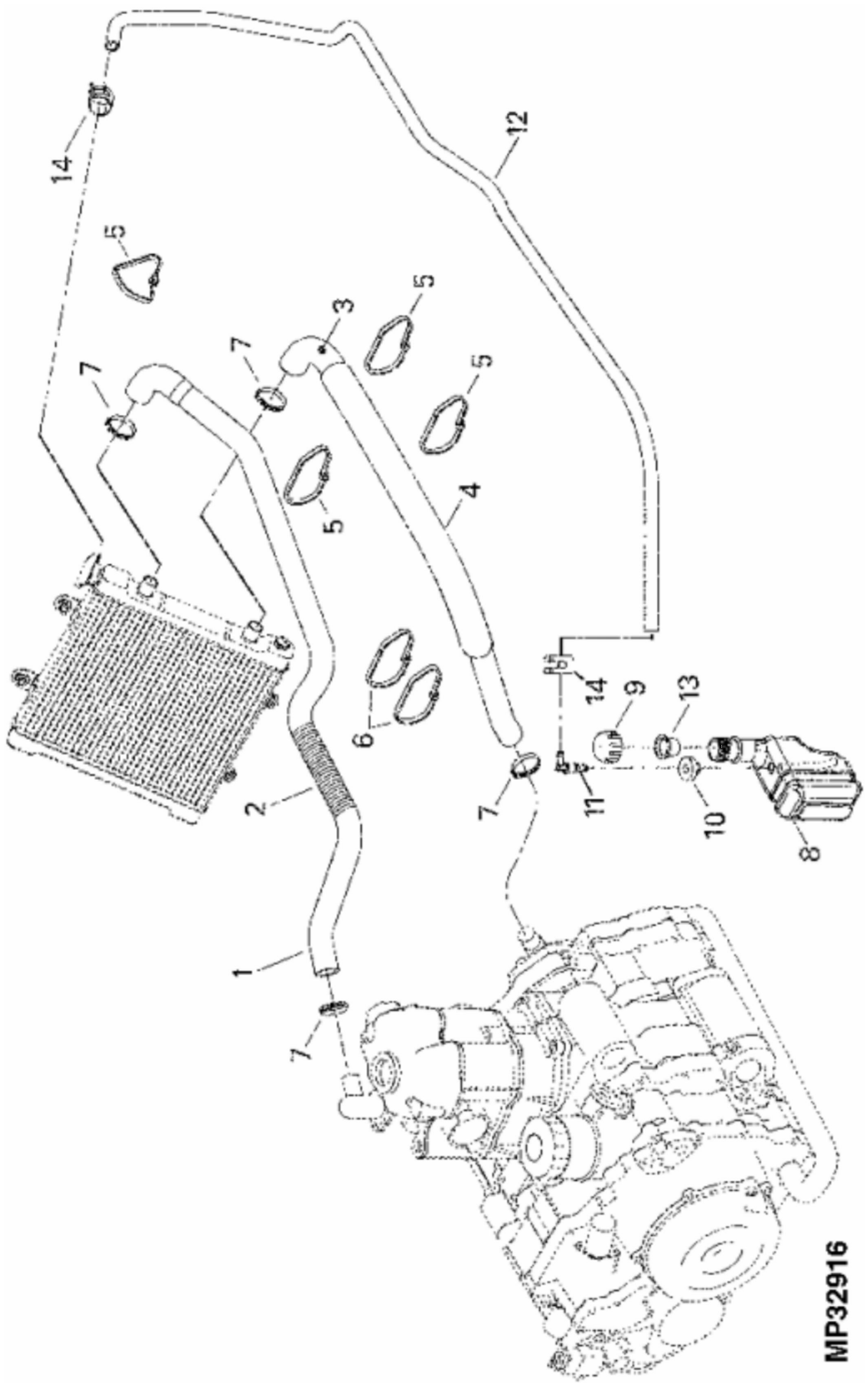
**Thank you very much for your reading. Please Click Here. Then Get COMPLETE MANUAL. NO WAITING**



**NOTE:**

**If there is no response to click on the link above, please download the PDF document first and then click on it.**

KEY	PART NO.	PART NAME	QTY	REMARKS
1	C709200109	RADIATOR	1	
2	C715900095	SENDER	1	(SUB FOR C709200089)TEMPERATURE
3	N30256	GROMMET	2	
4	C293900019	BUSHING	2	
5	C709200111	SHROUD	1	
6	C709200112	FAN	1	
7	C207562034	SCREW	4	SUB FOR C207562044
8	19M7796	SCREW	2	M6 X 30
9	R151387	NUIT	4	
10	24M7139	WASHER	2	6.400 X 18 X 1.600 mm
11	14M7397	LOCK NUT	2	M6
12	C709200033	CAP	1	NLA; ORDER C709200207
12	C709200207	CAP	1	
13	C709200115	PLUG	2	
14	C709200052	RADIATOR HOSE	1	Not Illustrated
15	C709200054	RADIATOR HOSE	1	Not Illustrated



**MP32916**