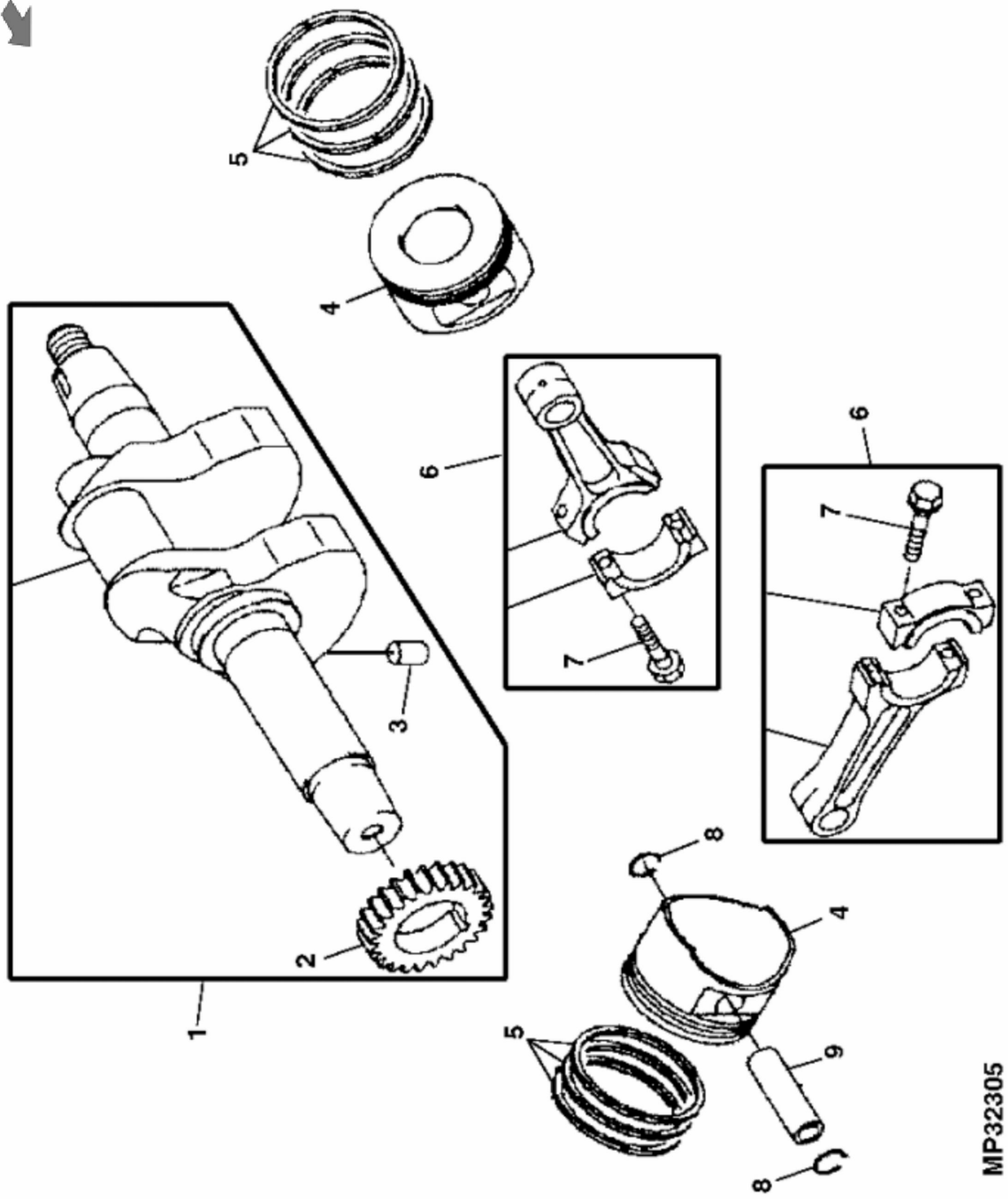


PU15517

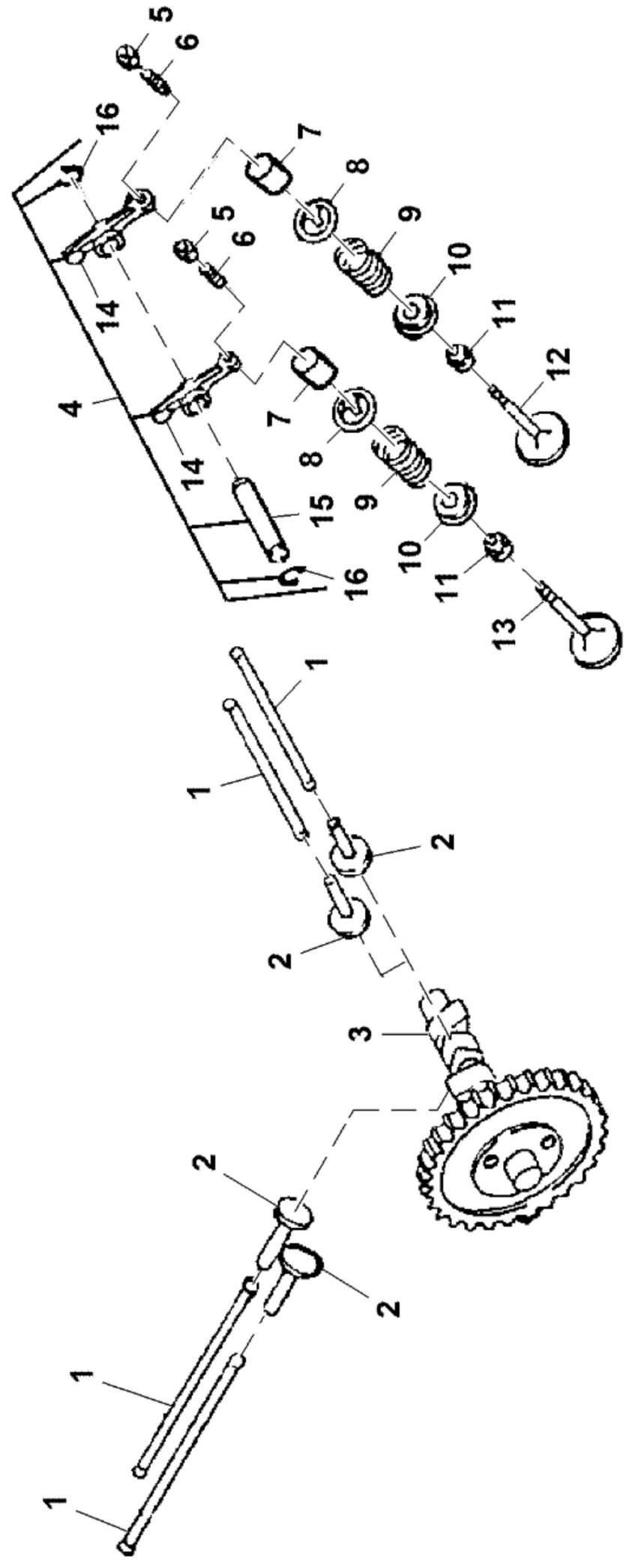
KEY	PART NO.	PART NAME	QTY	Serial No.	REMARKS
1	M114465	CAP	1		ORDER M147324; ALSO ORDER M147334
2	19M7863	SCREW	8		M6 X 25
3	M76073	BUSHING	8		
4	M118614	CASE	1		MARKED FD620D-MS24
4	MTU11644	CASE	1		MARKED FD620D-NS24R AND FD620D-PS24
5	MTU11646	GASKET	2		SUB FOR M76072
5	MTU11358	GASKET	2		MARKED FD620D-AS24, FD620D-BS24, FD620D-CS24 AND FD620D-DS24
6	MTU11988	BOLT	10		SUB FOR M118772
7	M131853	STUD	4		
8	M142268	CYLINDER HEAD	1		MARKED FD620D-MS24
8	MTU14320	CYLINDER HEAD	1		MARKED FD620D-NS24R AND FD620D-PS24
9	M70227	PIN	6		
10	M97309	ENGINE CYLINDER HEAD GASKET	2		
11	MTU11645	CASE	1		MARKED FD620D-NS24R AND FD620D-PS24
12	M124936	CLAMP	1		
13	M150464	HOSE	1		
14	M77734	CLAMP	1		
15	19M7865	SCREW	4		M8 X 16
16	M97314	COVER	1		Breather
17	M114464	GASKET	1		Breather
18	M95848	SCREW	1		
19	M135063	PLATE	1		
20	M76125	VALVE	1		
21	M142271	CYLINDER HEAD	1		MARKED FD620D-MS24
21	MTU14321	CYLINDER HEAD	1		MARKED FD620D-NS24R AND FD620D-PS24 SUB FOR M142271
22	M138625	PIN	1		MARKED FD620D-MS24, FD620D-NS24R AND FD620D-PS24
23	MTU14495	GASKET	2		SUB FOR M76150
24	19M7864	SCREW	2		M8 X 12
25	MTU12135	BEARING	1		SUB FOR M97316
26	M76154	SEAL	2		
27	AM129801	CRANKCASE	1		

KEY	PART NO.	PART NAME	QTY	Serial No.	REMARKS
28	M122000	DIPSTICK TUBE	1		
29	M117034	O-RING	1		
30	19M8318	SCREW	6		M8 X 45
30	MIU11383	BOLT	6		MARKED FD620D-NS24R AND FD620D-PS24
31	M139490	BOLT	2		ORDER MIU11385
31	MIU11385	BOLT	2		
32	MIU14322	COVER	1		MARKED FD620D-NS24R, FD620D-PS24 AND FD620D-MS24; SUB FOR M132671
33	M127431	ADAPTER FITTING	1		MARKED FD620D-MS24
33	MIU13767	ADAPTER FITTING	1		MARKED FD620D-NS24R AND FD620D-PS24
34	M139016	GASKET	1		Crankcase Cover
35	MIU10833	SEAL	1		SUB FOR M94387
36	24H1296	WASHER	4	____-012704	11/32" X 1-3/8" X 0.134", Engine Mounting
37	19M7866	SCREW	4		M8 X 20, Engine Mounting
38	MIA12898	CRANKCASE	1		MARKED FD620D-NS24R AND FD620D-PS24; Component
..	AM131745	GASOLINE ENGINE	1		MARKED FD620D-AS24; SUB FOR MIA11090
..	AM135049	GASOLINE ENGINE	1		MARKED FD620D-BS24; SUB FOR MIA11090
..	MIA10413	GASOLINE ENGINE	1		MARKED FD620D-DS24; SUB FOR MIA11090
..	MIA10674	GASOLINE ENGINE	1		MARKED FD620D-ES24; SUB FOR MIA11090
..	MIA10768	GASOLINE ENGINE	1		MARKED FD620D-FS24; SUB FOR MIA11090
..	MIA11090	GASOLINE ENGINE	1	____-100000	MARKED FD620D-GS24
..	MIA11840	GASOLINE ENGINE	1	100001-120000	MARKED FD620D-HS24
..	MIA12672	GASOLINE ENGINE	1	120001-_____	MARKED FD620D-MS24; ORDER MIA12837
..	MIA12837	GASOLINE ENGINE	1		MARKED FD620D-NS24R; ORDER MIA12906
..	MIA12906	GASOLINE ENGINE	1		MARKED FD620D-PS24
..	MIA12914	SHORT BLOCK ASSEMBLY	1		SUB FOR AM133727



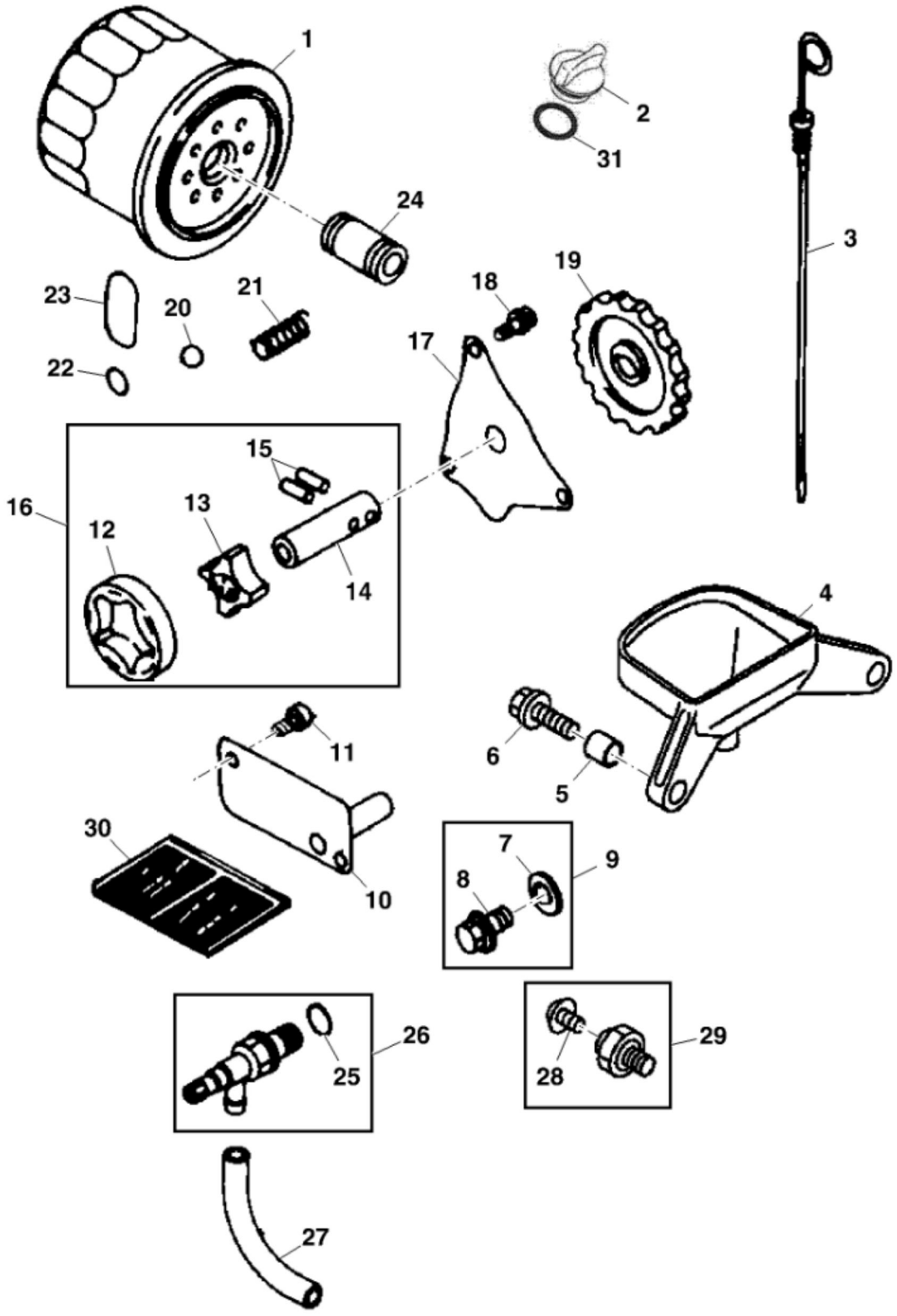
MP32305

KEY	PART NO.	PART NAME	QTY	REMARKS
1	MIA12899	CRANKSHAFT	1	SUB FOR AM133733
2	M76121	SPUR GEAR	1	USE WITH AM133733
2	MIU14323	SPUR GEAR	1	ORDER MIA12899; USE WITH MIA12837 AND MIA12906
3	M76122	DOWEL PIN	1	USE WITH AM133733
4	MIU11458	PISTON	2	SUB FOR AM117846
4	AM117847	PISTON REPLACEMENT KIT	2	0.50 mm (.020") OS, ORDER M117036; INCLUDES (2) M117036, (4) M76120 AND (2) M97328; USE WITH MIA12837
4	M117036	PISTON	2	0.50 mm (.020") OS, MARKED FD620D-NS24R AND D620D-PS24
5	M97319	PISTON RING KIT	2	
5	M97328	PISTON RING KIT	2	0.50 mm (.020") OS, MARKED FD620D-NS24R AND D620D-PS24
6	AM133731	CONNECTING ROD	2	ORDER MIA12487
6	MIA12487	CONNECTING ROD	2	
6	AM133732	CONNECTING ROD	2	0.50 mm (.020") US, ORDER MIA12608; USE WITH MIA12837
6	MIA12608	CONNECTING ROD	2	MARKED FD620D-NS24R AND D620D-PS24
7	M147310	BOLT	12	
8	M76120	SNAP RING	4	
9	M76119	PIN	2	



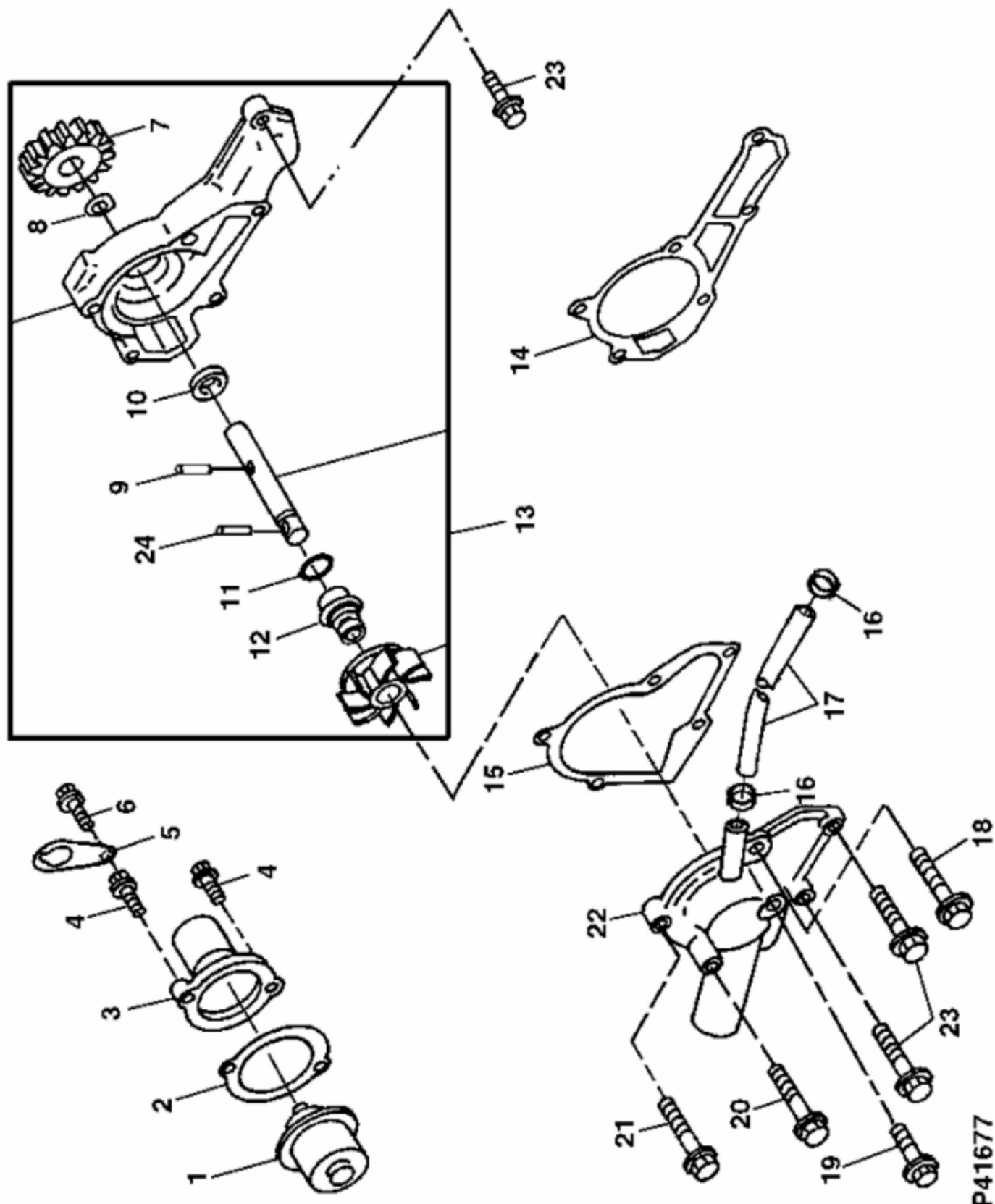
PU15516

KEY	PART NO.	PART NAME	QTY	REMARKS
1	M76088	PUSH ROD	4	
2	M76089	TAPPET	4	
3	M1A12872	CAMSHAFT	1	SUB FOR AM124510
4	AM109389	ARM KIT	2	Shaft and Rocker Arm
5	M76092	NIUT	4	
6	M76091	SCREW	4	
7	M118845	RETAINER	8	
8	M118842	RETAINER	4	
9	M135854	SPRING	4	
10	M76084	RETAINER	4	
11	M76090	SEAL	4	
12	M150465	INTAKE VALVE	2	
13	M118844	EXHAUST VALVE	2	
14	M76086	ROCKER ARM	4	
15	M76087	SHAFT	2	
16	M76093	CLIP	4	



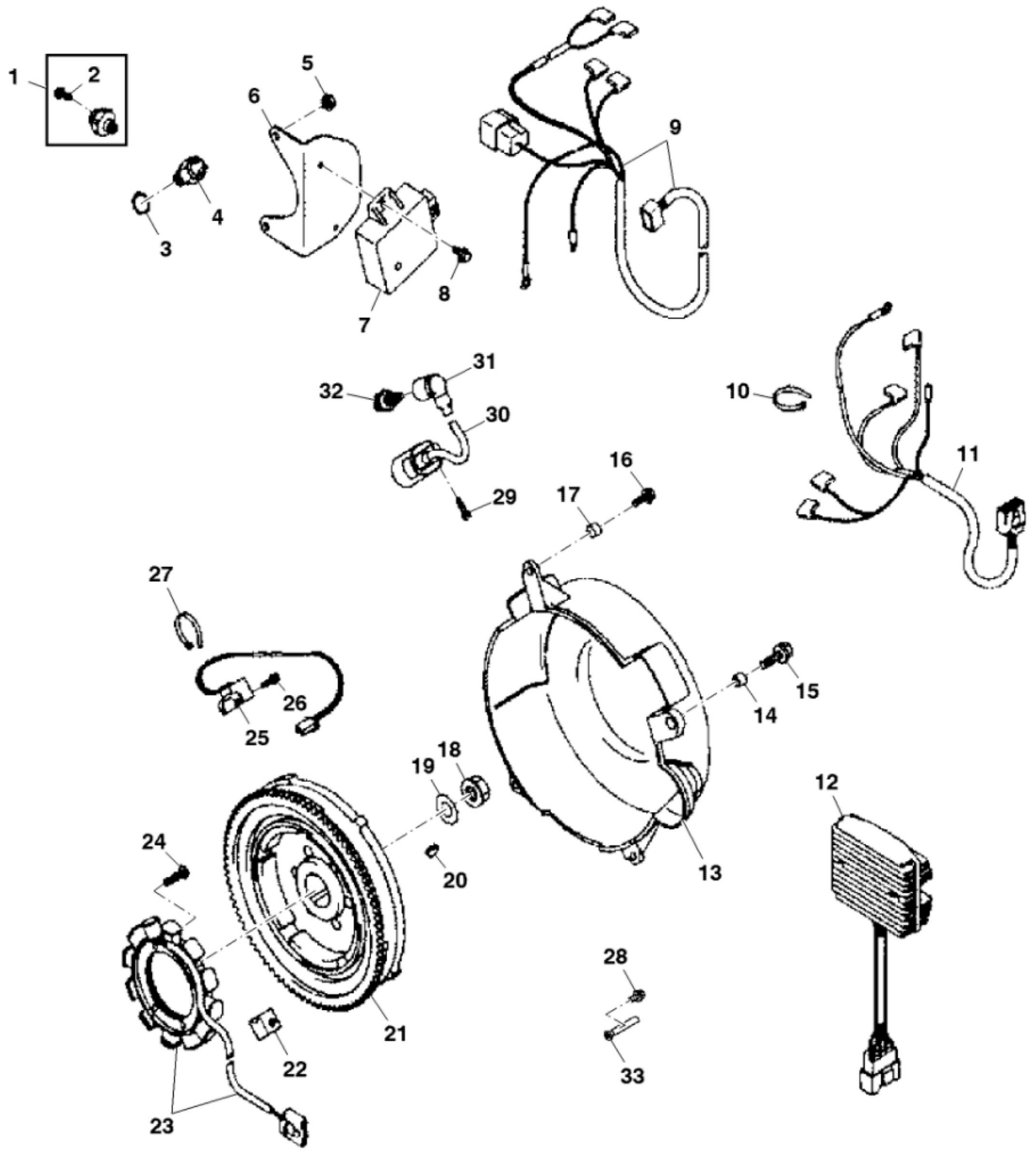
PU12076

KEY	PART NO.	PART NAME	QTY	REMARKS
1	AM107423	OIL FILTER	1	
2	M147324	FILLER CAP	1	ALSO ORDER M147334
3	M121999	DIPSTICK	1	
4	M79373	TRAY	1	
5	M114466	BUSHING	2	
6	19M7866	SCREW	2	M8 X 20
7	GASKET	1	
8	PT14207	DRAIN PLUG	1	
9	AM109035	ADAPTER KIT	1	SUB AM134915; Drain Plug
10	M97334	PLATE	1	
11	21M7265	SCREW	2	M5 X 12
12	M76141	ROTOR	1	Outer
13	M76140	ROTOR	1	Inner
14	MIU10853	SHAFT	1	
15	M127265	DOWEL PIN	2	
16	AM109371	ROTOR KIT	1	NLA; Rotor Pump
17	M76101	COVER	1	
18	19M7775	SCREW	3	M6 X 16
19	M76098	GEAR	1	
20	M76105	BALL	1	MARKED FD620D-MS24
20	M138428	BALL	1	MARKED FD620D-NS24R AND FD620D-PS24
21	M76102	SPRING	1	
22	M76104	O-RING	1	
23	M76103	O-RING	1	
24	M127431	ADAPTER FITTING	1	
25	51M7042	O-RING	1	13.300 X 2.200 mm
26	AM115362	DRAIN VALVE	1	
27	HOSE	1	MF TY22562; Oil Drain
28	21M7295	SCREW	1	M4 X 6
29	M152192	SWITCH	1	Oil Pressure
30	M96765	SCREEN	1	
31	M147334	O-RING	1	MARKED FD620D-NS24R AND FD620D-PS24



MP41677

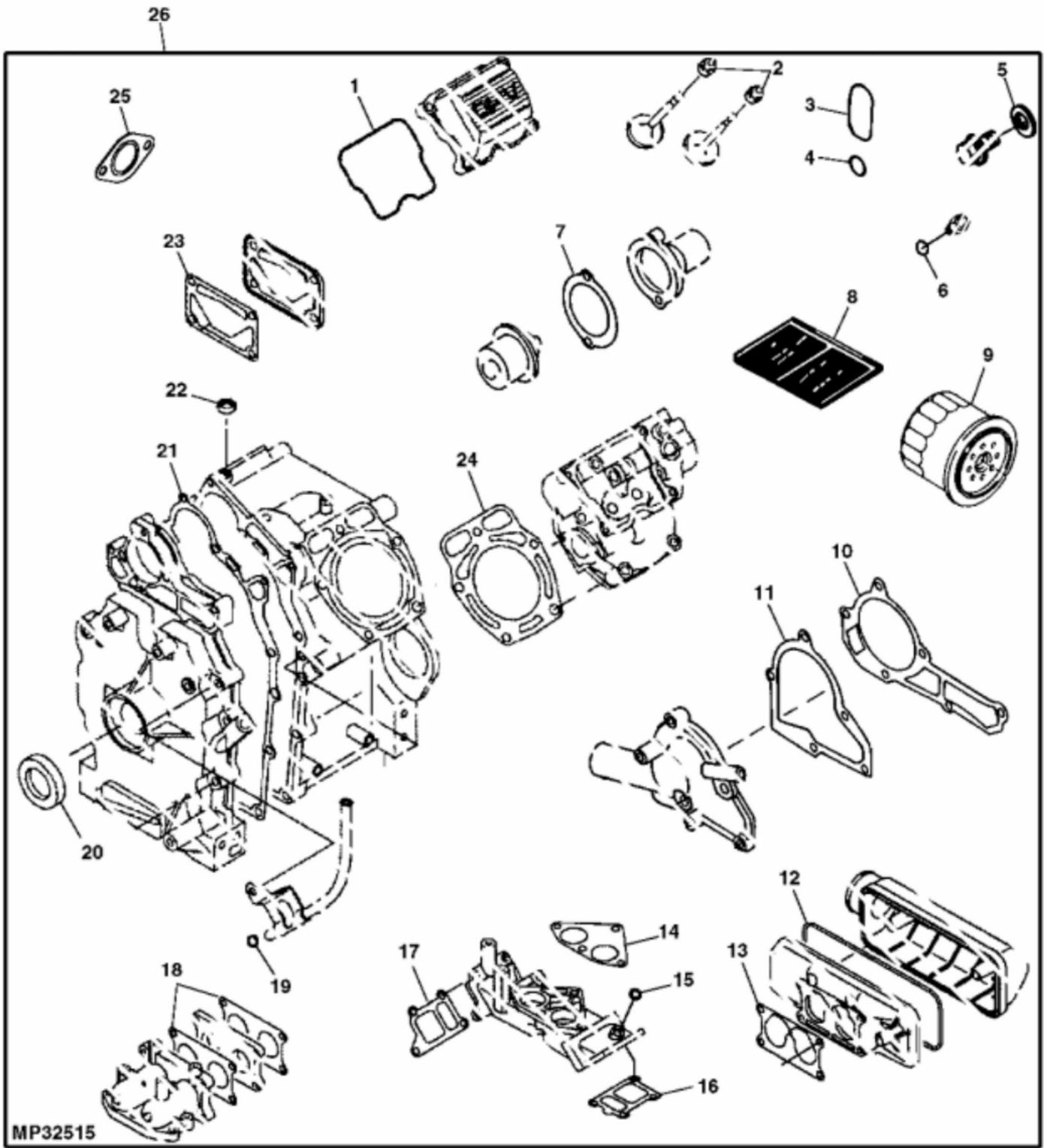
KEY	PART NO.	PART NAME	QTY	REMARKS
1	M123434	THERMOSTAT	1	82° C (180° F)
2	M113682	GASKET	1	
3	MIU11393	COVER	1	SUB FOR M76178
3	MIU14465	COVER	1	SUB FOR MIU11393
4	M117280	BOLT	2	M6 X 20
5	M114489	BRACKET	1	
6	19M7866	SCREW	1	M8 X 20
7	M76144	GEAR	1	
8	M97344	WASHER	1	
9	M127265	DOWEL PIN	1	
10	M76118	SEAL	1	
11	M76145	O-RING	1	
12	M152393	SEAL	1	SUB FOR M96780
13	AM134585	WATER PUMP	1	SUB FOR AM123404
14	M139018	GASKET	1	Case
15	M139017	GASKET	1	Cover
16	TY22464	CLAMP	2	
17	M88203	HOSE	AR	
18	19M7803	SCREW	1	M8 X 70
19	19M7864	SCREW	1	M8 X 12
20	19M8484	SCREW	1	M6 X 75
20	MIU11404	BOLT	1	MARKED FD620D-NS24R AND FD620D-PS24
21	19M8483	SCREW	1	M6 X 65
21	MIU11403	BOLT	1	MARKED FD620D-NS24R AND FD620D-PS24
22	MIU14063	COVER	1	SUB FOR M127266
23	19M7834	SCREW	3	M6 X 45
23	MIU11402	BOLT	3	MARKED FD620D-NS24R AND FD620D-PS24
24	M76146	DOWEL PIN	1	
25	M76116	SHAFT	1	



PU13153

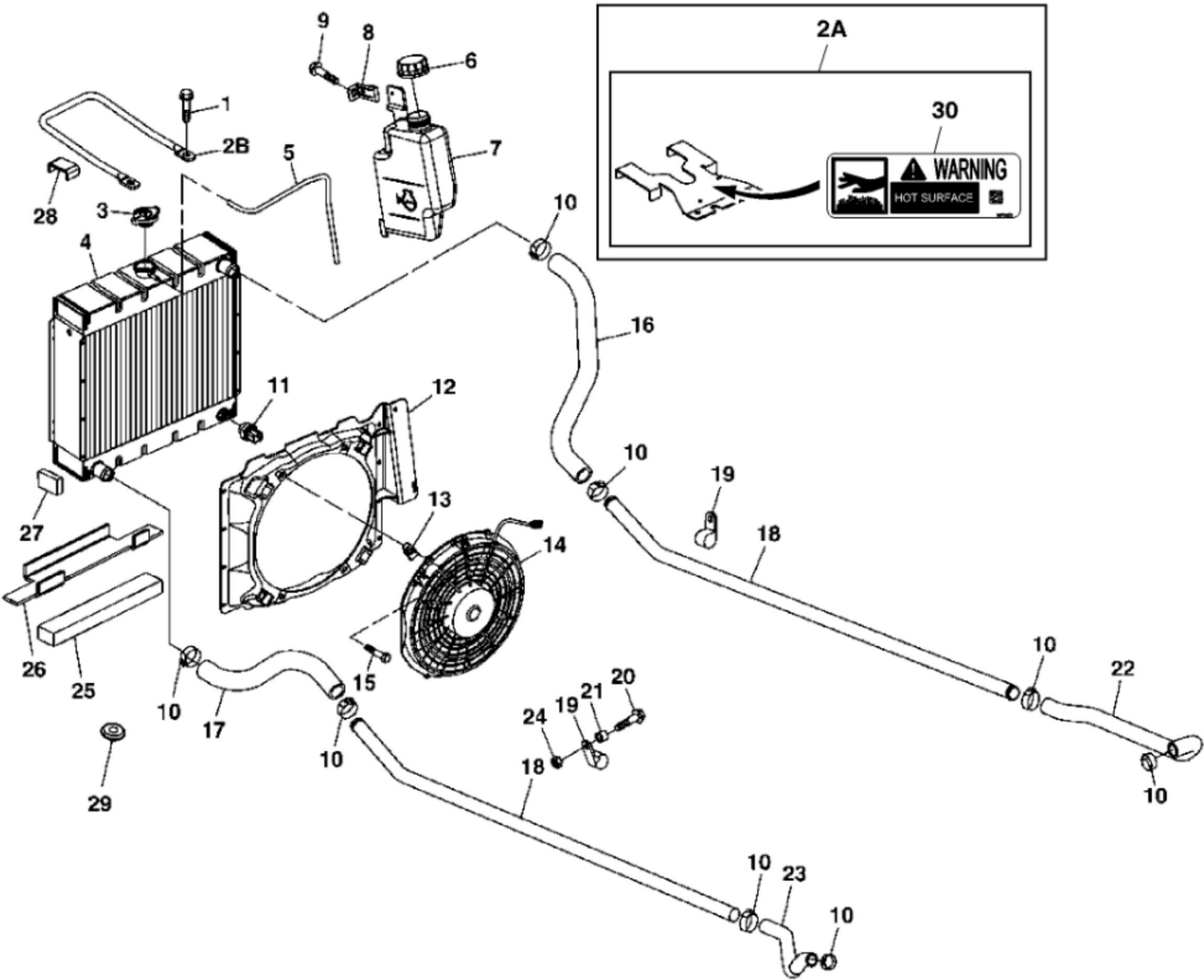
KEY	PART NO.	PART NAME	QTY	REMARKS
1	M152192	SWITCH	1	Oil Sending
2	21M7295	SCREW	1	M4 X 6
3	M77746	GASKET	1	
4	AM108952	SWITCH	1	Temperature
5	M117204	NUT	2	
6	M150466	BRACKET	1	
7	AM132577	MODULE	1	Ignition
8	19M7774	SCREW	2	M6 X 12
9	M150468	WIRING HARNESS	1	MARKED FD620D-MS24; Ignition
9	MIA12900	WIRING HARNESS	1	MARKED FD620D-NS24R AND FD620D-PS24
10	R44302	TIE BAND	2	SUB FOR M118683
11	M150469	WIRING HARNESS	1	Engine
12	M149807	VOLTAGE REGULATOR	1	NLA; ORDER MIU11378
12	MIU11378	VOLTAGE REGULATOR	1	NLA; ORDER MIU14343
12	MIU14343	VOLTAGE REGULATOR	1	
13	M118618	COVER	1	Flywheel
14	M117055	BUSHING	1	
15	19M7867	SCREW	1	M8 X 25
16	19M7775	SCREW	3	M6 X 16
17	M117056	BUSHING	3	
18	M74275	NUT	1	
19	M76165	WASHER	1	
20	M77843	SHAFT KEY	1	
21	AM133734	FLYWHEEL	1	
21	MIA13113	FLYWHEEL	1	SUB FOR MIA12901; MARKED FD620D-PS24
22	M97350	CLAMP	1	
23	M150471	ELECTRICAL COIL	1	Charging
24	M77741	SCREW WITH WASHER	4	
25	M150470	ELECTRICAL COIL	1	Pulsing
26	21M7230	SCREW	2	M4 X 14
26	24M1750	WASHER	2	
26	12H315	LOCK WASHER	2	0.164"
27	R44302	TIE BAND	2	
28	19M7865	SCREW	1	M8 X 16, MARKED FD620D-NS24R AND FD620D-PS24

KEY	PART NO.	PART NAME	QTY	REMARKS
29	MIU11649	SCREW	2	SUB FOR M70278
29	MIU14451	SCREW	2	MARKED FD620D-NS24R AND FD620D-PS24
30	M150467	ELECTRICAL COIL	2	Ignition
31	M88905	CAP	2	
32	M138938	SPARK PLUG	2	
33	M147362	CLAMP	1	MARKED FD620D-NS24R AND FD620D-PS24



MP32515

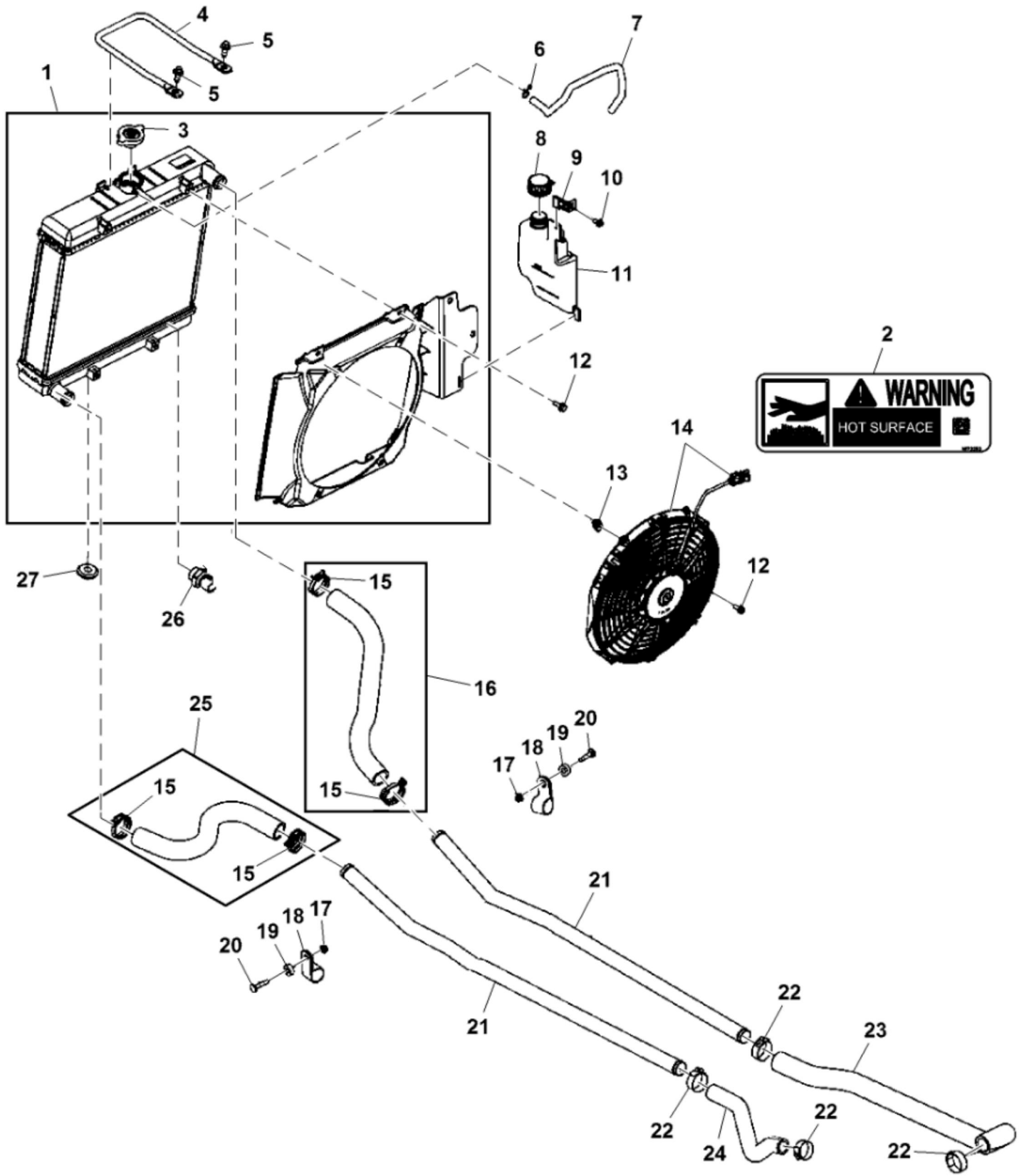
KEY	PART NO.	PART NAME	QTY	REMARKS
1	MIU11646	GASKET	2	SUB FOR M76072 OR MIU11358; Valve Cover
2	M76090	SEAL	4	
3	M76103	O-RING	1	
4	M76104	O-RING	1	
5	M76158	GASKET	1	Drain Plug
6	M77746	GASKET	1	
7	M113682	GASKET	1	Thermostat Cover
8	M96765	SCREEN	1	
9	AM107423	OIL FILTER	1	
10	M139018	GASKET	1	Water Pump Case
11	M139017	GASKET	1	Water Pump Cover
12	M150492	SEAL	1	
13	M147384	GASKET	1	Intake Pipe
14	M150481	GASKET	1	
15	MIU14495	GASKET	2	SUB FOR M76150
16	M113685	GASKET	1	Intake Manifold
17	M113684	GASKET	1	Intake Manifold
18	M147383	GASKET	2	Intake Pipe
19	M117034	O-RING	1	
20	M76154	SEAL	2	
21	M139016	GASKET	1	Crankcase Cover
22	M88987	SEAL	1	SUB FOR M94387 OR MIU10833
23	M113676	GASKET	1	Breather Cover
24	M76070	ENGINE CYLINDER HEAD GASKET	2	SUB FOR M97309
25	M113686	GASKET	2	SUB FOR M139817
26	MIA10944	GASKET KIT	1	SUB FOR AM133728
27	M113678	GASKET	1	Not Illustrated
28	M77743	GASKET	1	Not Illustrated
29	M88482	GASKET	1	Not Illustrated
30	M95170	SEAL	1	Not Illustrated
31	M97206	SCREEN	1	Not Illustrated Oil Filter
32	MIA11589	GASKET KIT	1	Not Illustrated



PU16074

KEY	PART NO.	PART NAME	QTY	REMARKS
1	37M7058	SCREW	2	M8 X 20
2A	AM136846	BRACKET	1	USE WITH VG11552, W/ Label
2A	AM137865	BRACKET	1	USE WITH M158437, W/ Label
2B	M159378	ROD	1	(E), USE WITH AM138593
3	M802715	FILLER CAP	1	(B), (C), (D)
4	VG11552	RADIATOR	1	ORDER AM138724 AND AM138593
4	M158437	RADIATOR	1	(B), ORDER AM138724 AND AM138593
5	HOSE	1	(MAKE FROM TY22551)
6	M177549	CAP	1	SUB FOR M159659 AND M76176
7	M148645	RESERVOIR	1	
8	M148646	NUT	1	
9	37H230	SCREW	1	
10	TY22467	CLAMP	8	
11	VG11706	SWITCH	1	(B)
12	VG11545	SHROUD	1	USE WITH VG11552
12	19M7775	SCREW	8	M6 X 16
13	GC00309	NUT	4	(B)
14	VGA10864	FAN	1	11", FAN (10 BLADE), (B)
15	19M7862	SCREW	4	M6 X 20, (B)
16	AM141559	RADIATOR HOSE	1	SUB FOR VG10208
17	AM141558	RADIATOR HOSE	1	SUB FOR VG10209
18	VG10216	TUBE	2	
19	T140924	CLAMP	2	
20	03M7290	BOLT	2	M6 X 30
21	M112535	WASHER	2	
22	VG10213	HOSE	1	
23	VG10212	HOSE	1	
24	14M7303	FLANGE NUT	2	M6
25	AM137932	ISOLATOR	1	
26	M152291	ISOLATOR	1	USE WITH VG11552, Bottom Foam
26	M158463	ISOLATOR	1	(B), (E), USE WITH M158437, Bottom Foam
27	M152289	ISOLATOR	2	USE WITH VG11552, End Foam
27	M158461	ISOLATOR	2	(B), (E), USE WITH M158437, End Foam
28	M152290	ISOLATOR	2	USE WITH VG11552, Top Foam
28	M158462	ISOLATOR	2	(B), USE WITH M158437, Top Foam

KEY	PART NO.	PART NAME	QTY	REMARKS
29	R117581	GROMMET	2	ORDER M165155
29	M165155	GROMMET	2	
30	M173253	LABEL	1	Warning, Hot Surface
31	AM137861	RADIATOR	1	(Not Illustrated) W/O Bottom Posts, Includes Parts Marked (B), ORDER AM138724 AND AM138593
32	AM138723	RADIATOR	1	(Not Illustrated) W/ Bottom Posts, Includes Parts Marked (C)
33	AM138724	RADIATOR	1	(Not Illustrated) W/O Bottom Posts, Includes Parts Marked (D)
34	AM138593	RADIATOR KIT	1	(Not Illustrated) Installation, Includes Parts Marked (E)



PU14705

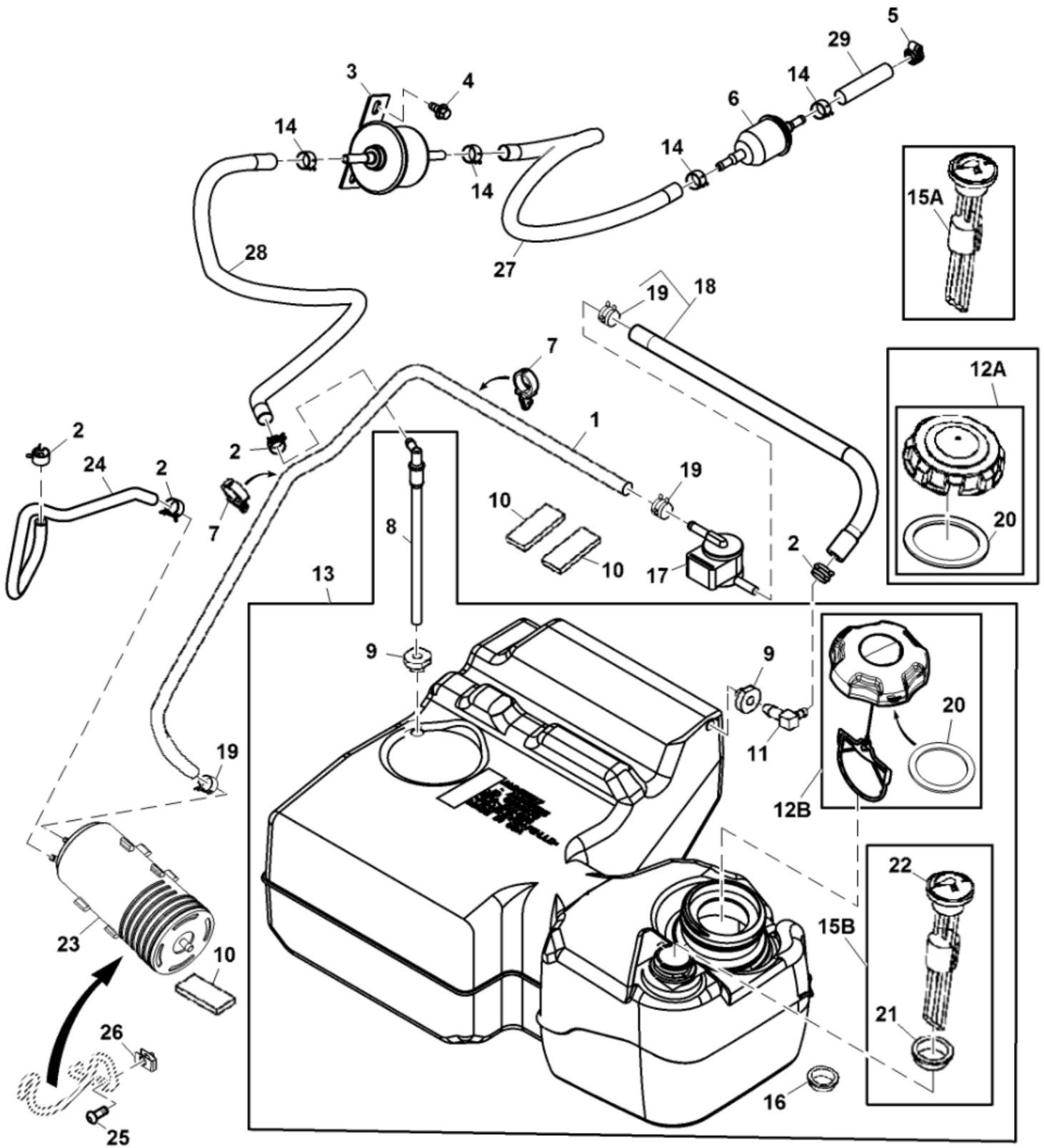
KEY	PART NO.	PART NAME	QTY	REMARKS
1	AM138723	RADIATOR	1	W/ PLUG (SOLY)
1	AM140614	DRAIN PLUG	1	(W/O-RING)
2	M173253	LABEL	1	SUB FOR APPL M117554; Warning, Hot Surface
3	M802715	FILLER CAP	1	
4	M159378	ROD	1	
5	37M7463	SCREW	2	M8 X 16
6	CLAMP	1	(ORDER TY22462)
7	HOSE	1	(MAKE FROM TY22551)
8	M177549	CAP	1	SUB FOR M159659
9	M148646	CLIP	1	
10	37H230	SCREW	1	
11	M148645	RESERVOIR	1	
12	19M7775	SCREW	8	M6 X 16
13	GC00309	NUT	4	
14	VGA10864	FAN	1	
15	TY22467	CLAMP	2	
16	AM141559	RADIATOR HOSE	1	UPPER
17	14M7303	FLANGE NUT	2	M6
18	T140924	CLAMP	2	
19	M112535	SPACER	2	
20	03M7290	BOLT	2	M6 X 30
21	M162821	TUBE	2	
22	TY22467	CLAMP	4	
23	VG10213	HOSE	1	OUTLET
24	VG10212	HOSE	1	INLET
25	AM141558	RADIATOR HOSE	1	LOWER
26	VG11706	TEMPERATURE SWITCH	1	
27	M165155	GROMMET	2	

1



MX293450

KEY	PART NO.	PART NAME	QTY	REMARKS
1	LG259	KIT	1	HOME MAINTENANCE (SEE FOOTNOTE BELOW)



PU19914

Please write to us.

Our email:

aservicemanualpdf@yahoo.com

**Please go to the homepage
to get the full manual, or
other brand PDF manuals.**

Home Site:

aservicemanualpdf.com

**Thank you very much for
your reading. Please Click
Here. Then Get COMPLETE
MANUAL. NO WAITING**



NOTE:

**If there is no response to
click on the link above,
please download the PDF
document first and then
click on it.**

KEY	PART NO.	PART NAME	QTY	Serial No.	REMARKS
1	HOSE	1	____-130000	CTL 895 mm, MF M175324; ROV To Carbon Canister
1	HOSE	1	130001-____	CTL 600 mm, MF M175324; ROV To Carbon Canister
2	R56101	CLIP	4		SUB FOR M68342
3	AM876265	FUEL PUMP	1		
4	M167874	SCREW	1		M6 X 12
5	TY22462	CLAMP	1		To Carb
6	AM116304	FUEL FILTER	1		
7	M117459	CLIP	2	130001-____	
8	VG12026	TUBE	1	____-040000	(A), PICK UP (SUB VG12024)
8	VG12024	FUEL PICKUP	1	040001-060000	(B), PICK UP
8	M156730	FUEL PICKUP	1	060001-____	(B), (C)
9	M132706	BUSHING	2		(A), (B), (C)
10	M138850	PAD	3		
11	M80357	ELBOW FITTING	1		(A), (B), (C)
12A	VGA10167	FILLER CAP	1	____-012802	(A), (B), (C); USE WITH AM145016 AND AM145586
12B	AM146094	CAP	1	012803-____	USE WITH AM145587
13	AM145016	FUEL TANK	1		ORDER AM145586; (A), (B), (C)
13	AM145586	FUEL TANK	1		ORDER AM145587
13	AM145587	FUEL TANK	1		
14	M133148	HOSE CLAMP	4		
15A	AM143171	FUEL SENDER	1		SUB FOR AM136831
15B	AM145237	LEVEL GAUGE	1		
16	M149648	BUSHING	1		(A), (B), (C)
16	M158485	BUSHING	1		USE WITH AM145016 AND AM145586
17	AM144310	CHECK VALVE	1	130001-____	
18	AM144363	HOSE	1	130001-____	
19	N194814	HOSE CLAMP	3	130001-____	
20	M158068	GASKET	1		
21	TCU22449	BUSHING	1		USE WITH AM145587
22	TCU24946	GAUGE	1		USE WITH AM145587
23	TCU27431	RESERVOIR	1		
24	M154054	HOSE	1	____-130000	Fuel Line
24	M175424	HOSE	1	130001-____	SUB FOR M174416; Fuel Line
25	21M7572	SOCKET HEAD SCREW	1		M8 X 20
26	M123593	LOCK NUT	1		

KEY	PART NO.	PART NAME	QTY	Serial No.	REMARKS
27	HOSE	1		CTL 455 mm (18 Inch), MF M175325; Pump To Filter
28	HOSE	1		CTL 762 mm (30 Inch), MF M175325; Tank To Pump
29	HOSE	1		CTL 55 mm, MF M175325; Filter To Engine
30	M167874	SCREW	1		(Not Illustrated) M6 X 12
..	VGA12014	FUEL TANK	1		Includes Parts Marked (A); SUB AM138692
..	AM135630	FUEL TANK	1		Includes Parts Marked (B); SUB AM138692
..	AM138692	FUEL TANK	1		Includes Parts Marked (C); SUB FOR AM137456