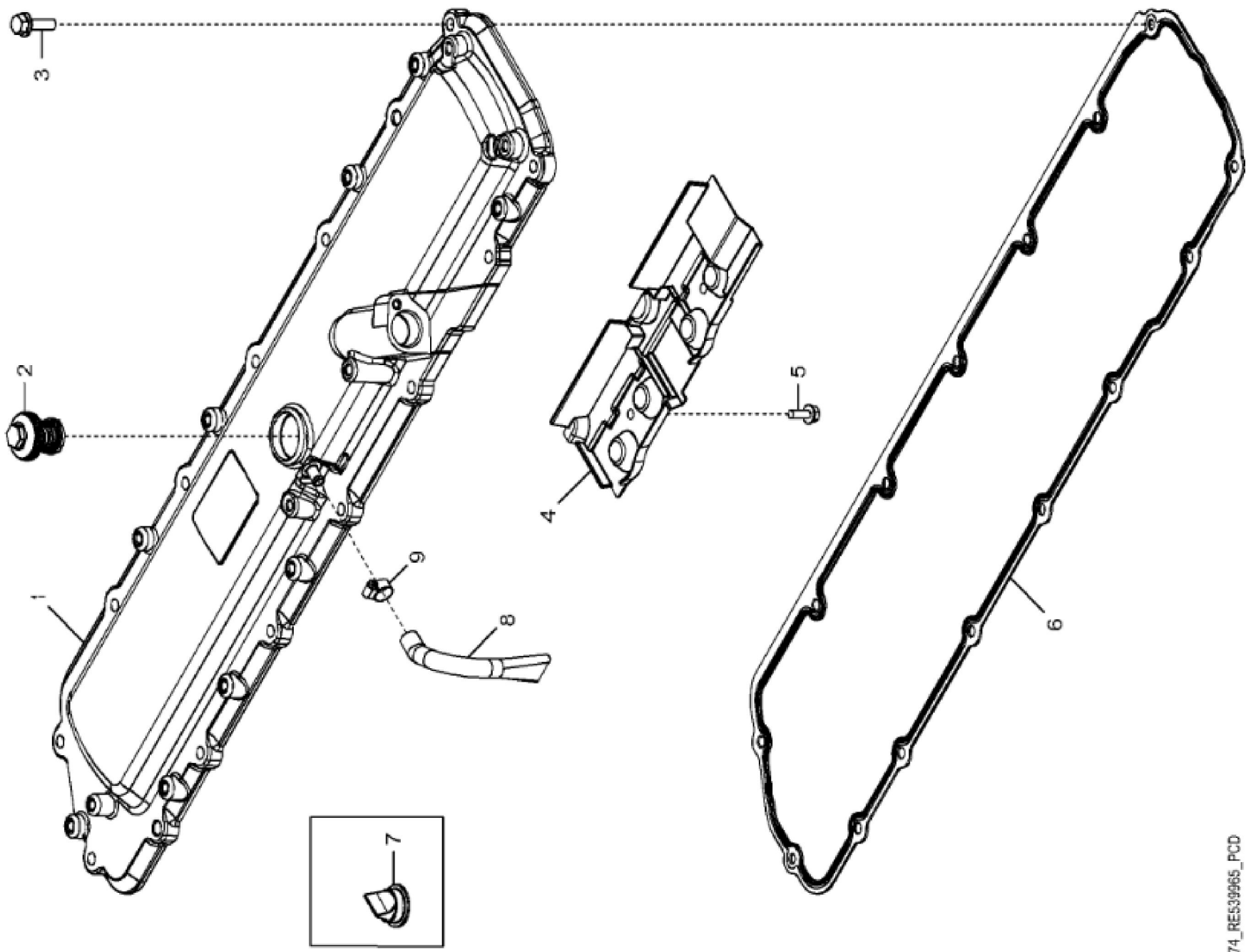
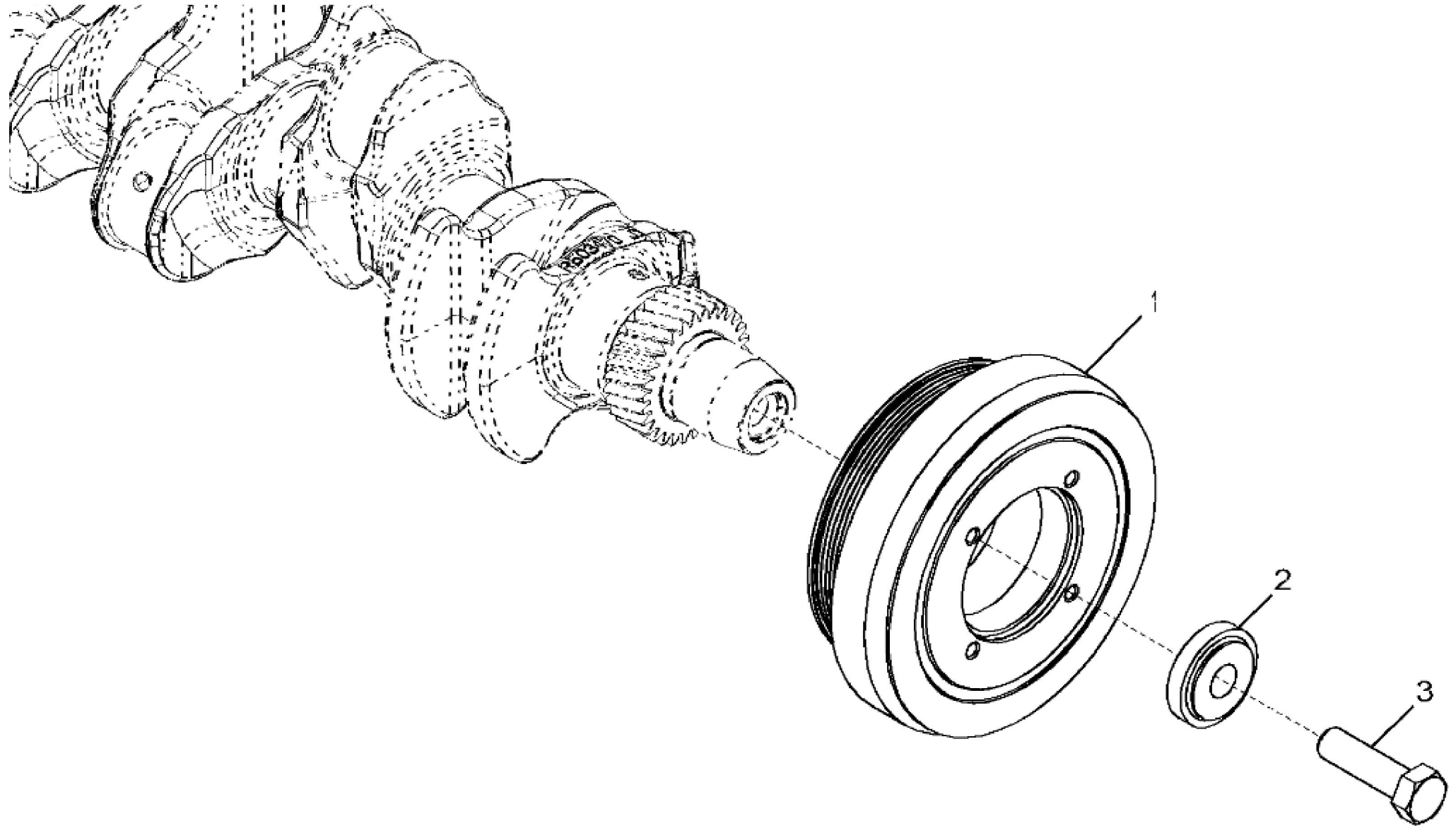


John Deere > Turf And Utility > TRACTOR >6155R Tractor (Europe Edition, Engine SN: 6068XXXXXX)(Final Tier 4) >E1
DIESEL ENGINE 6068HL498-DD22386-ETN122786-ETN131688 >E100 DIESEL ENGINE 6068HL498-DD22386-ETN122786-
ETN122787-ETN131688 6068HL498 >ST164694 - 1174 ROCKER ARM COVER



1174_RE539965_PCD

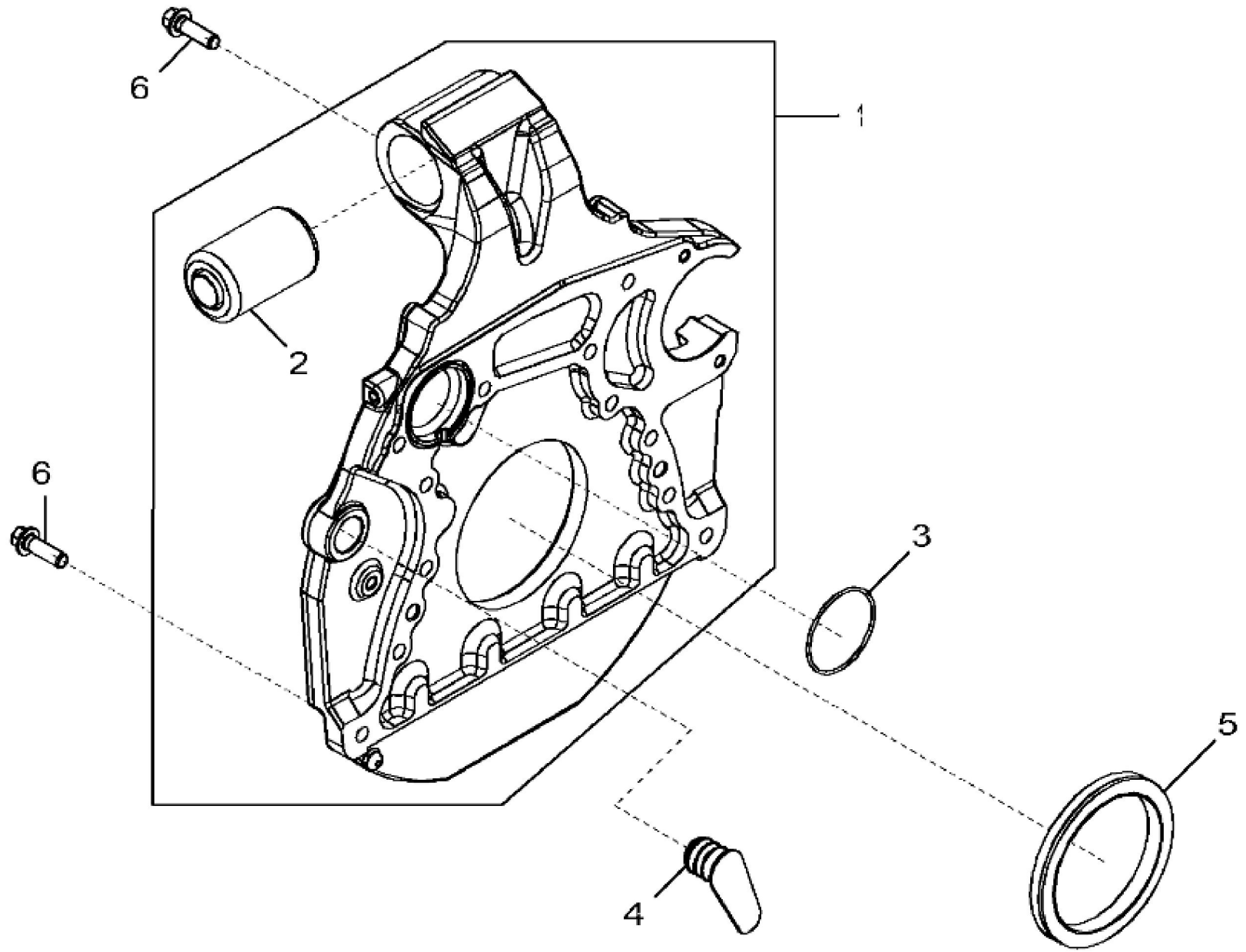
KEY	PART NO.	PART NAME	QTY	REMARKS
1	RE555026	VALVE COVER	1	MARKED R537224; ALSO ORDER TY22462, R536108 AND R534105; SUB FOR R529152
2	RE542918	VALVE	1	
3	19M7867	SCREW	15	M8 X 25
4	R534105	DEFLECTOR	1	USE WITH RE555026
4	R528408	DEFLECTOR	1	USE WITH R529152
5	19M7775	SCREW	2	M6 X 16
6	R528743	GASKET	1	
7	R532038	VALVE	1	USE WITH R529152
8	R536108	HOSE	1	ORDER DZ10571
8	DZ10571	HOSE	1	
9	TY22462	CLAMP	1	



1341_RE537577_PCD

John Deere > Turf And Utility > TRACTOR > 6155R - TRACTOR > 6155R Tractor (Europe Edition, Engine SN: 6068UXXXXX)(Final Tier 4) > E1 DIESEL ENGINE 6068HL498-DD22386-ETN122786-ETN122787-ETN131688 > E100 DIESEL ENGINE 6068HL498-DD22386-ETN122786-ETN122787-ETN131688 6068HL498 > ST275176 - 1341 CRANKSHAFT PULLEY

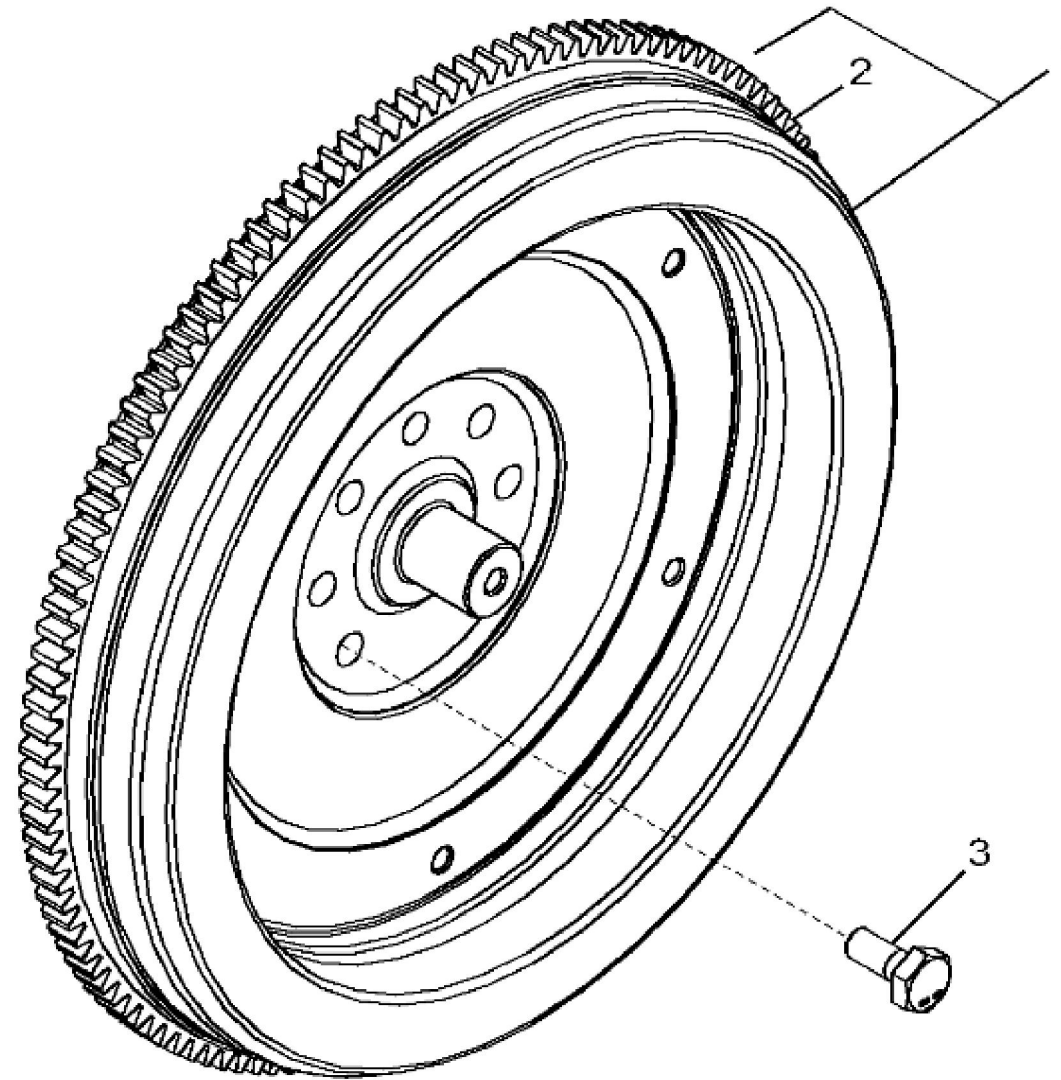
KEY	PART NO.	PART NAME	QTY	REMARKS	
1	DZ103168	PULLEY WITH DAMPENER	1	OD = 188 mm, SUB FOR RE537578	
2	R517237	BUSHING	1		
3	R516648	CAP SCREW	1	(One Time Usage)	



1448_RE544975_PCD

John Deere > Turf And Utility > TRACTOR > 6155R - TRACTOR > 6155R Tractor (Europe Edition, Engine SN: 6068UXXXXX)(Final Tier 4) > E1 DIESEL ENGINE 6068HL498-DD22386-ETN122786-ETN122787-ETN131688 > E100 DIESEL ENGINE 6068HL498-DD22386-ETN122786-ETN122787-ETN131688 6068HL498 > ST572875 - 1448 FLYWHEEL HOUSING

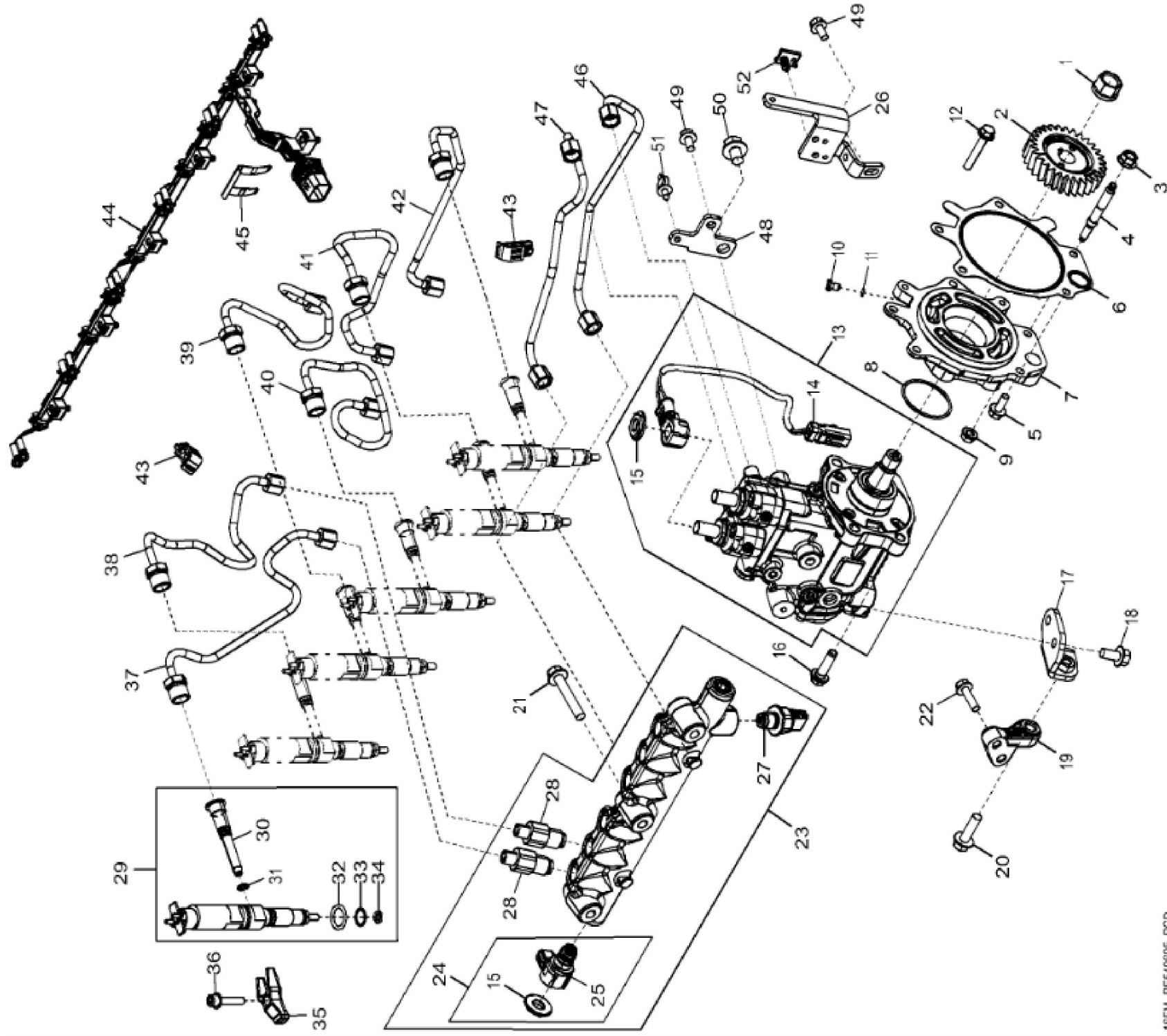
KEY	PART NO.	PART NAME	QTY	REMARKS
1	RE565739	HOUSING	1	MARKED R543631; SUB FOR RE556605 OR RE544942
2	ISOLATOR	1	ORDER RE565739
3	R61467	O-RING	1	
4	R520982	PLUG	1	
5	RE524227	SEAL	1	SUB FOR APPL RE537070
6	R135918	BOLT	12	



1593_RE526325_PCD

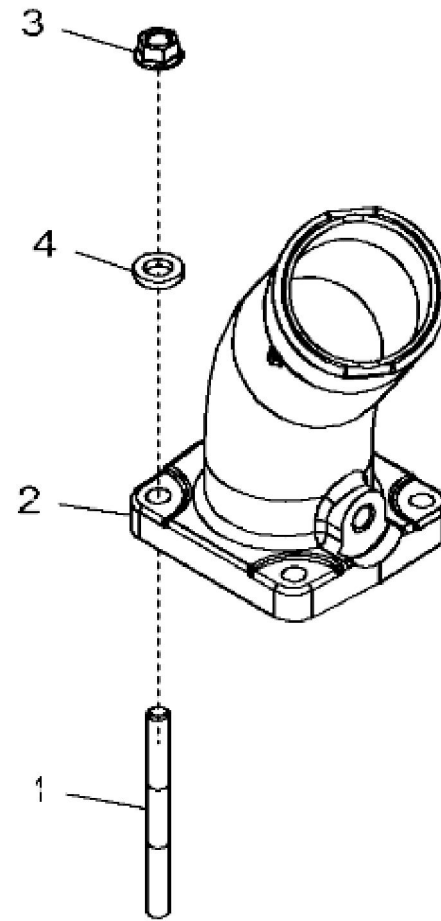
John Deere > Turf And Utility > TRACTOR > 6155R - TRACTOR > 6155R Tractor (Europe Edition, Engine SN: 6068UXXXXX)(Final Tier 4) > E1 DIESEL ENGINE 6068HL498-DD22386-ETN122786-ETN122787-ETN131688 > E100 DIESEL ENGINE 6068HL498-DD22386-ETN122786-ETN122787-ETN131688 6068HL498 > ST275123 - 1593 FLYWHEEL

KEY	PART NO.	PART NAME	QTY	REMARKS	
1	RE526326	FLYWHEEL	1	MARKED R521313	
2	R28811	RING GEAR	1	Z = 129; ID = 385 mm	
3	R522205	CAP SCREW	6	(One Time Usage) M12 X 30	



KEY	PART NO.	PART NAME	QTY	REMARKS
1	14M7332	FLANGE NUT	1	M18
2	R544003	GEAR	1	Z = 30, MARKED R545201; SUB FOR APPL R539039
3	14M7296	FLANGE NUT	3	M10
4	R520139	STUD	3	
5	RE67238	SCREW	2	SUB FOR RE534333
6	R534204	GASKET	1	
7	R539044	ADAPTER	1	MARKED R539097
8	R516125	O-RING	1	
9	14M7298	FLANGE NUT	3	M8
10	64M1014	DRAIN PLUG	1	
11	51M7052	O-RING	1	6.071 X 1.626 mm
12	19M7800	SCREW	2	M8 X 50
13	RE564861	FUEL PUMP	1	SUB FOR RE549623
14	RE569728	ELEC. CONNECTOR TERMINAL	1	
15	R536041	NUT	3	
16	R500394	SCREW	4	
17	RE553171	BRACKET	1	
18	19M7784	SCREW	2	M10 X 20
19	R534206	BRACKET	1	MARKED R536405
20	19M7835	SCREW	1	M10 X 35
21	19M7807	SCREW	3	M10 X 60
22	19M7868	SCREW	2	M8 X 30
23	RE549624	FUEL RAIL	1	
24	RE549511	PRESSURE RELIEF FITTING	1	
25	RE553523	ELEC. CONNECTOR TERMINAL	1	
26	R546514	BRACKET	1	
27	RE549752	PRESSURE SENSOR	1	
28	RE554865	FLOW CONTROL HYD. VALVE	6	
29	RE557023	NOZZLE KIT	6	
30	RE549731	TUBE	6	
31	R63548	O-RING	6	
32	R505452	O-RING	6	
33	R74354	O-RING	6	
34	R131051	WASHER	6	

KEY	PART NO.	PART NAME	QTY	REMARKS
35	R522417	CLAMP	6	
36	RE528096	SCREW WITH WASHER	6	
37	DZ101186	FUEL LINE	1	SUB FOR RE549625
38	DZ101185	FUEL LINE	1	SUB FOR RE549619
39	DZ101183	FUEL LINE	1	SUB FOR RE549618
40	DZ101182	FUEL LINE	1	SUB FOR RE549617
41	DZ101178	FUEL LINE	1	SUB FOR RE549616
42	DZ101179	FUEL LINE	1	SUB FOR RE549615
43	RE553626	CLAMP	4	
44	RE558155	WIRING HARNESS	1	
45	R528718	CLIP	1	
46	RE549626	FUEL LINE	1	
47	RE549627	FUEL LINE	1	
48	R543542	BRACKET	1	
49	19M7865	SCREW	2	M8 X 16
50	19M8242	SCREW	1	M12 X 16
51	RE258807	TIE BAND	2	
52	57M9940	ELEC. CONNECTOR ACCESSORY	2	

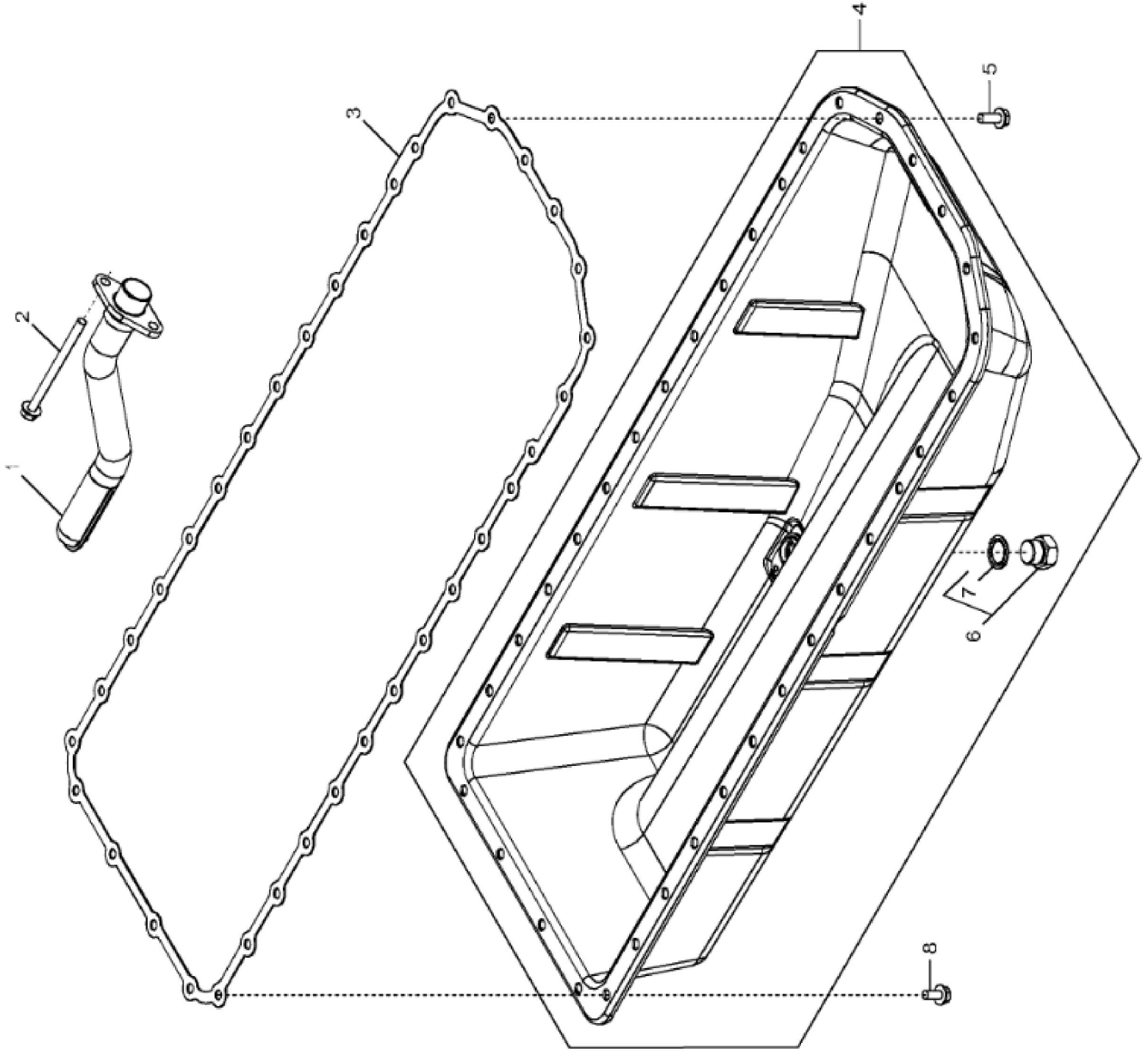


17DQ_RE540563_PCD

John Deere > Turf And Utility > TRACTOR > 6155R - TRACTOR > 6155R Tractor (Europe Edition, Engine SN: 6068UXXXXX)(Final Tier 4) > E1 DIESEL ENGINE 6068HL498-DD22386-ETN122786-ETN122787-ETN131688 > E100 DIESEL ENGINE 6068HL498-DD22386-ETN122786-ETN122787-ETN131688 6068HL498 > ST330884 - 17DQ AIR INTAKE

KEY	PART NO.	PART NAME	QTY	REMARKS	
1	42M7015	STUD	4		
2	R529449	AIR INTAKE	1		
3	14M7298	FLANGE NUT	4	M8	
4	24M7106	WASHER	2	10 X 18 X 2.500 mm	

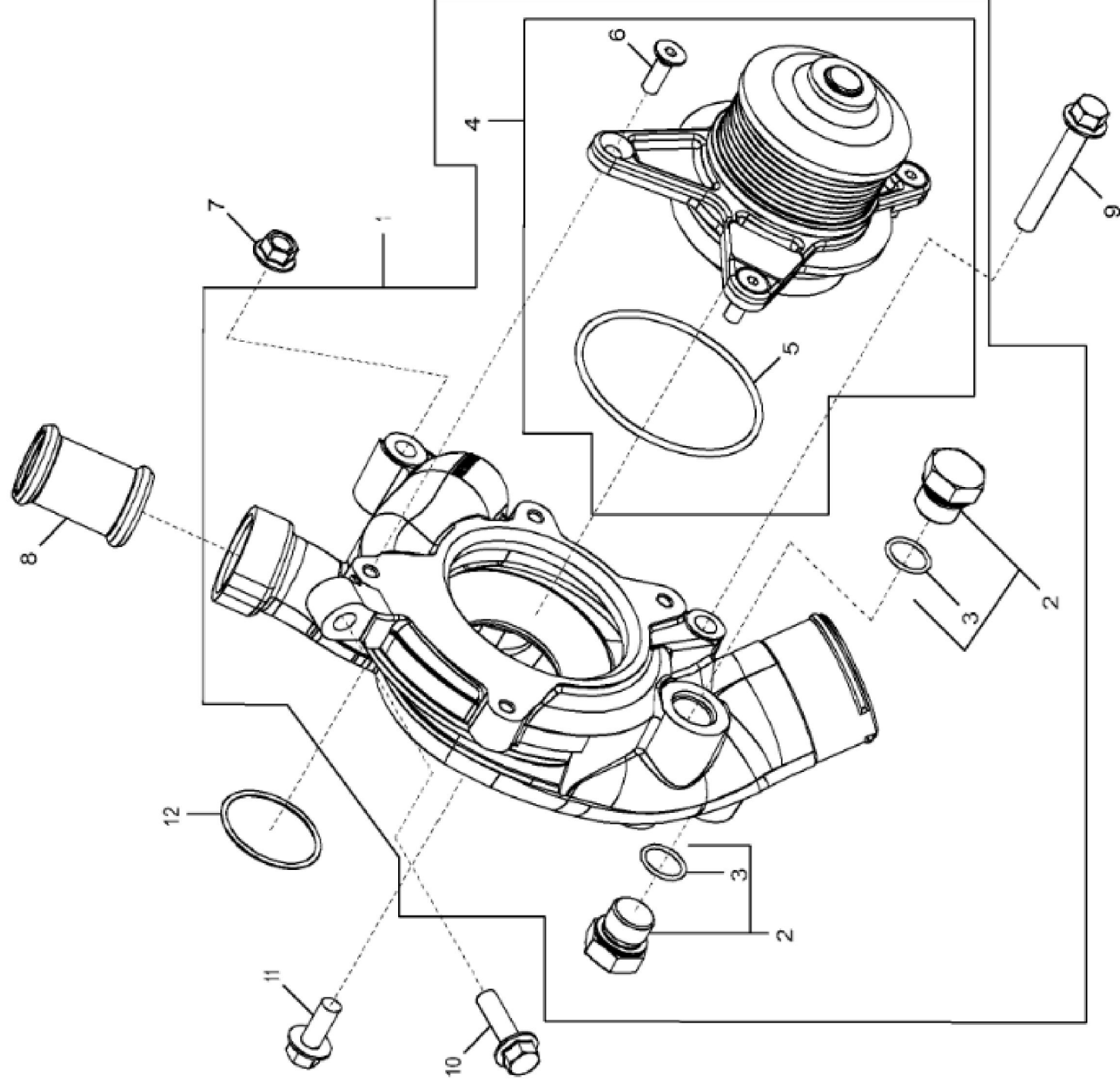
John Deere > Turf And Utility > TRACTOR >6155R - TRACTOR >6155R Tractor (Europe Edition, Engine SN: 6068UXXXXX)(Final Tier 4) >E1
DIESEL ENGINE 6068HL498-DD22386-ETN122786-ETN131688 >E100 DIESEL ENGINE 6068HL498-DD22386-ETN122786-
ETN122787-ETN131688 6068HL498 >ST330886 - 19CJ OIL PAN



19CJ_RE5402B4_PCD

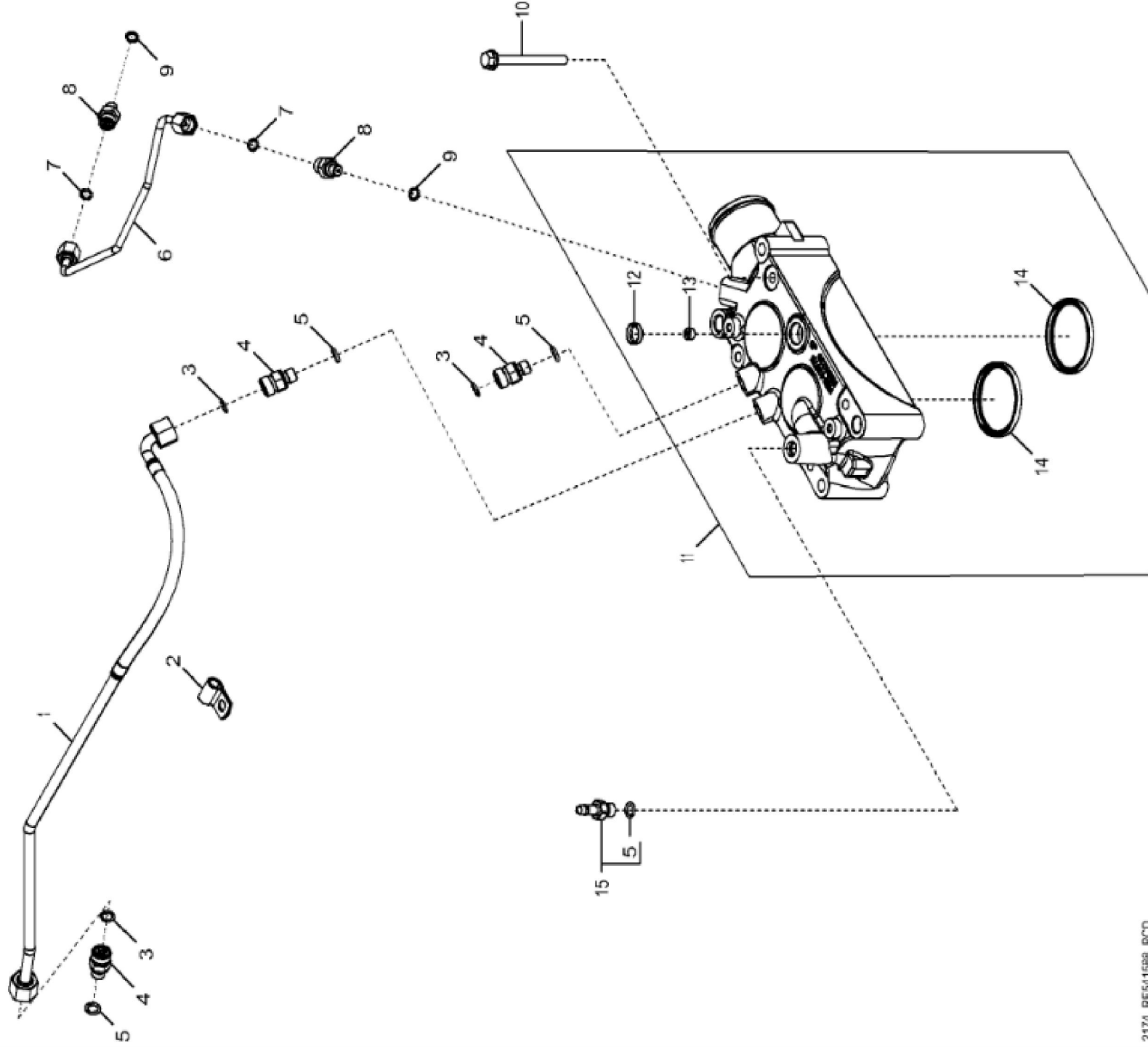
John Deere > Turf And Utility > TRACTOR > 6155R - TRACTOR > 6155R Tractor (Europe Edition, Engine SN: 6068UXXXXX)(Final Tier 4) > E1 DIESEL ENGINE 6068HL498-DD22386-ETN122786-ETN122787-ETN131688 > E100 DIESEL ENGINE 6068HL498-DD22386-ETN122786-ETN122787-ETN131688 6068HL498 > ST330886 - 19CJ OIL PAN

KEY	PART NO.	PART NAME	QTY	REMARKS	
1	RE540286	OIL PUMP INTAKE	1		
2	19M10075	SCREW	2	M8 X 110	
3	R521498	GASKET	1		
4	RE540285	OIL PAN	1		
5	19M8062	SCREW	6	M8 X 20	
6	RE523251	FITTING PLUG	1		
7	R519742	SEAL	1		
8	19M8163	BOLT	30	M8 X 16	



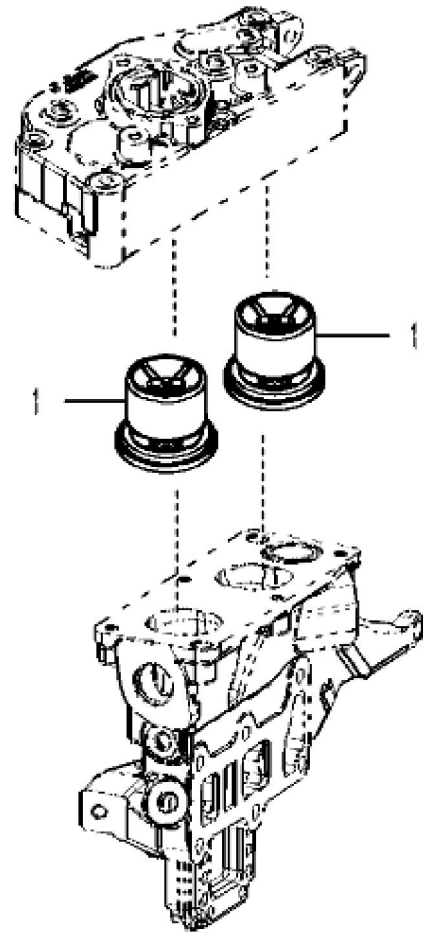
John Deere > Turf And Utility > TRACTOR > 6155R - TRACTOR > 6155R Tractor (Europe Edition, Engine SN: 6068UXXXXX)(Final Tier 4) > E1 DIESEL ENGINE 6068HL498-DD22386-ETN122786-ETN122787-ETN131688 > E100 DIESEL ENGINE 6068HL498-DD22386-ETN122786-ETN122787-ETN131688 6068HL498 > ST764855 - 2066 WATER PUMP

KEY	PART NO.	PART NAME	QTY	REMARKS
1	RE556137	WATER PUMP	1	MARKED R538406
2	RE46687	DRAIN PLUG	2	
3	51M7045	O-RING	1	19.300 X 2.200 mm
4	RE557899	PUMP	1	
5	R541830	O-RING	1	
6	19M7585	SCREW	4	M8 X 25
7	14M7296	FLANGE NUT	1	M10
8	R528313	TUBE	1	
9	19M8114	SCREW	1	M10 X 70
10	19M7835	SCREW	1	M10 X 35
11	19M7785	SCREW	1	M10 X 25
12	R529665	O-RING	1	



2174_RE541688_PCD

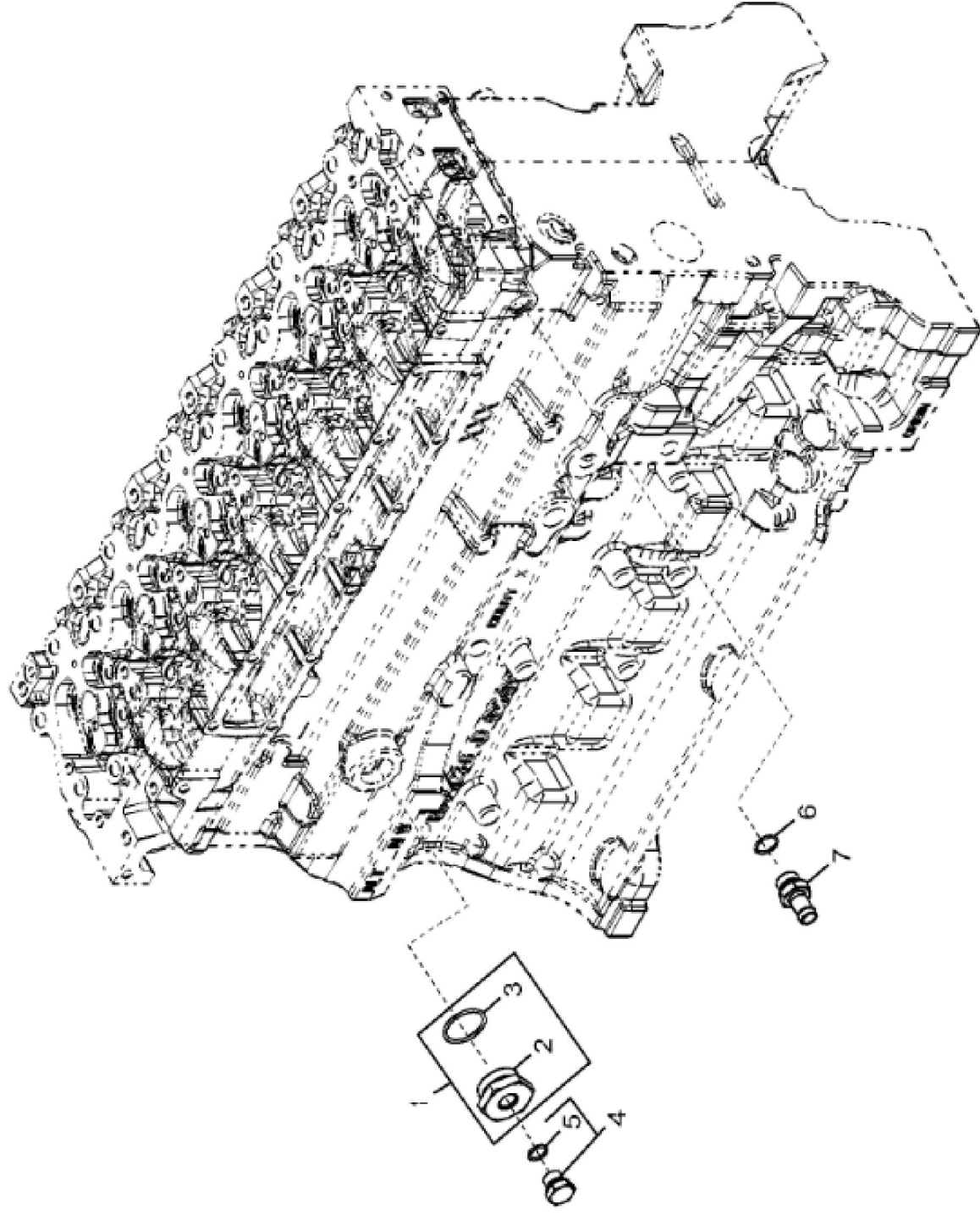
KEY	PART NO.	PART NAME	QTY	REMARKS
1	RE544336	LINE	1	
2	AH76882	CLIP	1	
3	T77613	O-RING	3	
4	38H5008	ADAPTER FITTING	3	
5	51M7040	O-RING	3	9.300 X 2.200 mm
6	RE542626	LINE	1	
7	T77814	O-RING	2	
8	38H5174	ADAPTER FITTING	2	
9	51M7039	O-RING	2	8.100 X 1.600 mm
10	19M8039	SCREW	4	M8 X 80
11	RE563647	COVER	1	SUB FOR RE542575
12	30M7024	PLUG	1	
13	R529265	ORIFICE	1	
14	R529398	SEAL	2	
15	AT323961	ADAPTER FITTING	1	INCLUDES 51M7040



2221_RE540498_PCD

John Deere > Turf And Utility > TRACTOR > 6155R - TRACTOR > 6155R Tractor (Europe Edition, Engine SN: 6068UXXXXX)(Final Tier 4) > E1 DIESEL ENGINE 6068HL498-DD22386-ETN122786-ETN122787-ETN131688 > E100 DIESEL ENGINE 6068HL498-DD22386-ETN122786-ETN122787-ETN131688 6068HL498 > ST197147 - 2221 THERMOSTAT

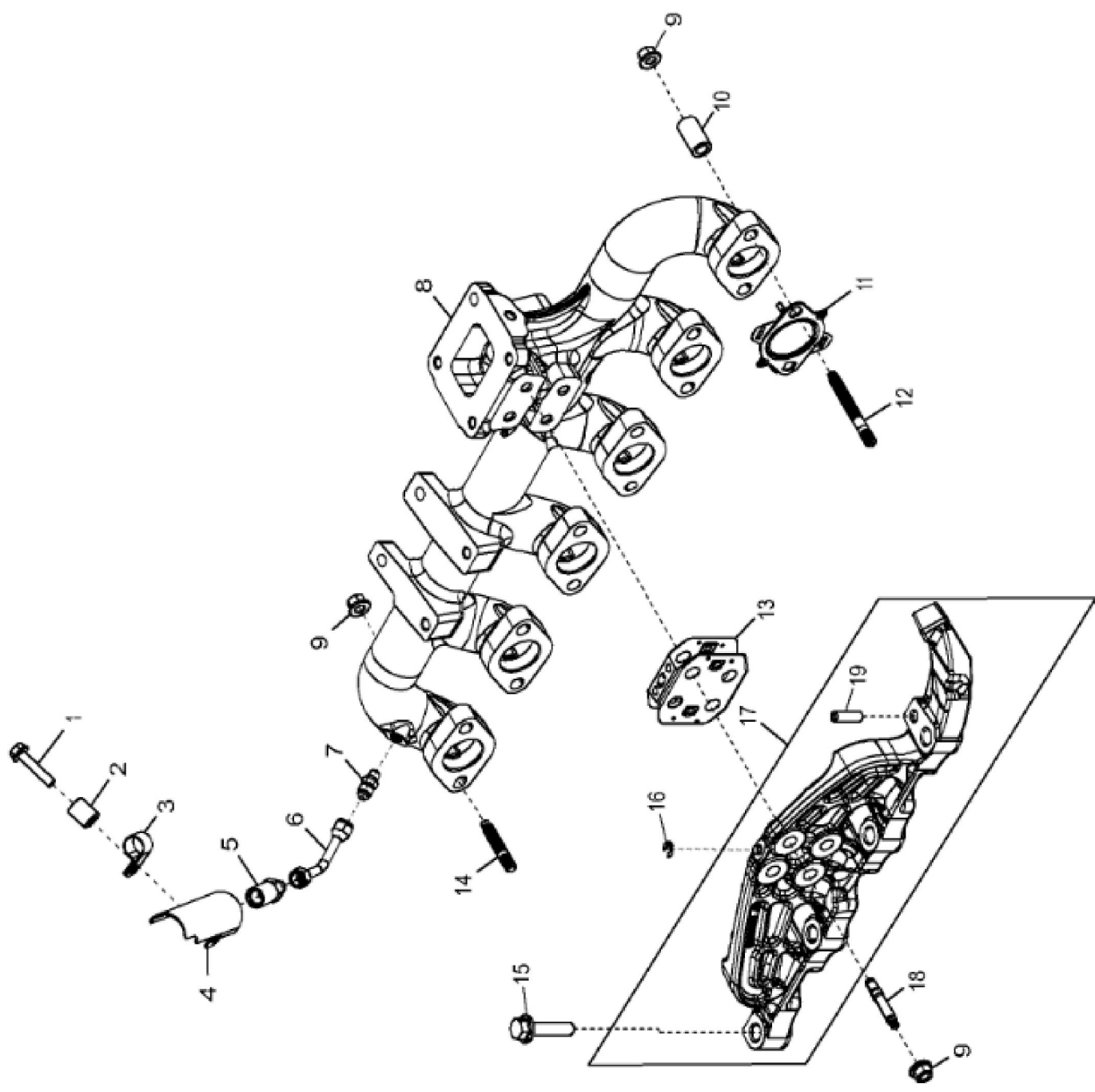
KEY	PART NO.	PART NAME	QTY	REMARKS	
1	RE554015	THERMOSTAT	2	SUB FOR RE540379	



2611_ETN127138_PCD

John Deere > Turf And Utility > TRACTOR > 6155R - TRACTOR > 6155R Tractor (Europe Edition, Engine SN: 6068UXXXXX)(Final Tier 4) > E1 DIESEL ENGINE 6068HL498-DD22386-ETN122786-ETN122787-ETN131688 > E100 DIESEL ENGINE 6068HL498-DD22386-ETN122786-ETN122787-ETN131688 6068HL498 > ST821516 - 2611 COOLANT HEATER

KEY	PART NO.	PART NAME	QTY	REMARKS	
1	RE565310	PLUG	1		
2	R123616	PLUG	1		
3	U13639	O-RING	1		
4	RE46685	FITTING PLUG	1		
5	51M7043	O-RING	1	15.300 X 2.200 mm	
6	51M7045	O-RING	1	19.300 X 2.200 mm	
7	L158360	FITTING	1		



28DQ_ETN1317376_FCD

Thank you very much for your reading. Please Click Here. Then Get COMPLETE MANUAL. NO WAITING



NOTE:

If there is no response to click on the link above, please download the PDF document first and then click on it.

KEY	PART NO.	PART NAME	QTY	REMARKS
1	19M7798	SCREW	1	M8 X 40
2	R532758	SPACER	1	
3	R519502	CLAMP	1	
4	R532097	HEAT SHIELD	1	
5	R529704	ADAPTER FITTING	1	
6	RE541470	LINE	1	ORDER RE546446
6	RE546446	LINE	1	
7	R27346	FITTING	1	
8	DZ101296	EXHAUST MANIFOLD	1	MARKED DZ101295
9	R539762	FLANGE NUT	16	
10	R535122	SPACER	10	
11	R544294	GASKET	6	
12	DZ10229	STUD	10	SUB FOR R530022
13	DZ101298	SHIM	1	
14	R530341	STUD	2	
15	R535377	SCREW	3	
16	40M7042	SNAP RING	1	
17	DZ102600	BRACKET	1	MARKED DZ100885; ORDER DZ106286
17	DZ106286	BRACKET	1	MARKED DZ106033 OR DZ106032; SUB FOR DZ100886
18	R543352	STUD	4	
19	22M7222	SET SCREW	1	M10 X 30