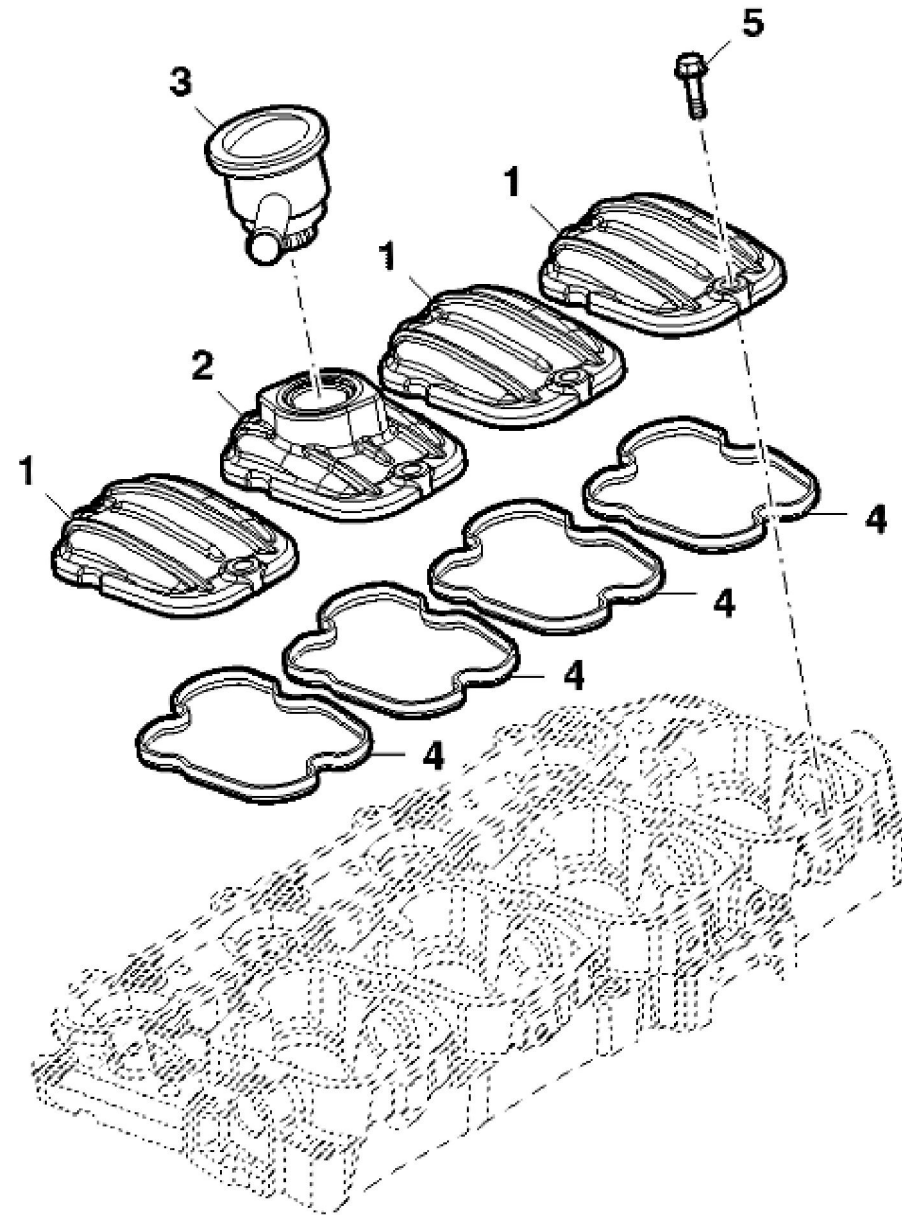


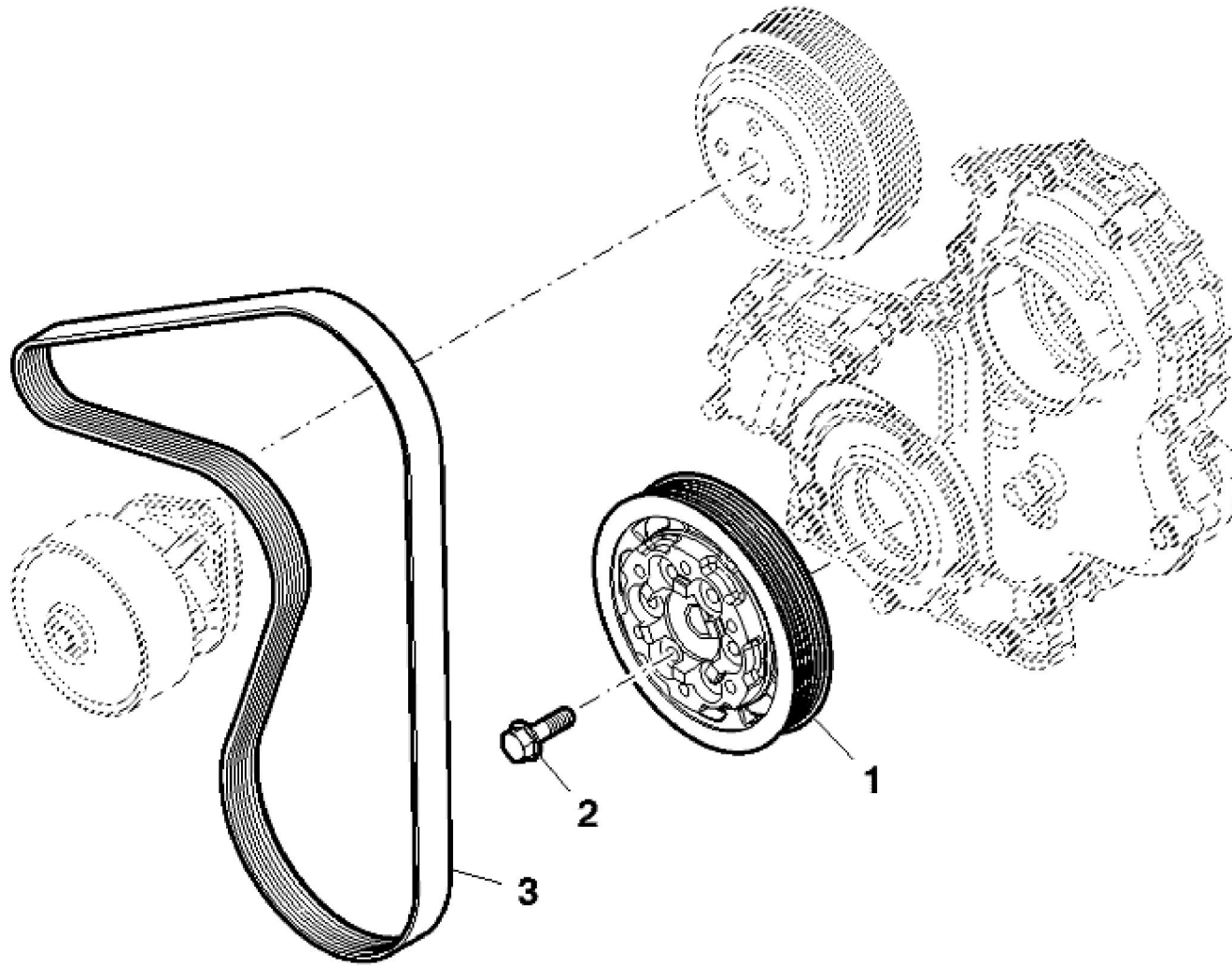
PY040244

KEY	PART NO.	PART NAME	QTY	Tractor Serial No.	REMARKS
1	ER0504345342	HOUSING	1		
2	ER0504250345	ROCKSHAFT	1	____-104982	
2	ER5801572079	ROCKSHAFT	1	104983-____	
3	ER0016987801	PLUG	2		
4	ER0099454296	SCREW	1		
5	ER0504221915	ROCKER ARM	1	____-104982	(Intake)
5	ER5801572084	ROCKER ARM	4	104983-____	(Intake)
6	ER0504221914	ROCKER ARM	4	____-104982	(Exhaust)
6	ER5801572085	ROCKER ARM	1	104983-____	(Exhaust)
7	ER0017281681	O-RING	1		
8	ER0004699783	SCREW	8		
9	ER0004338920	NUT	8		
10	ER0016988401	PLUG	1		
11	ER0016586925	CAP SCREW	10		M8 X 50
12	ER0016673835	BOLT	11		M8 X 30
13	ER0504163121	GASKET	1		
14	ER0504177226	GASKET	1		
15	ER0504273002	PLUG	4		M12 X 1.5 mm



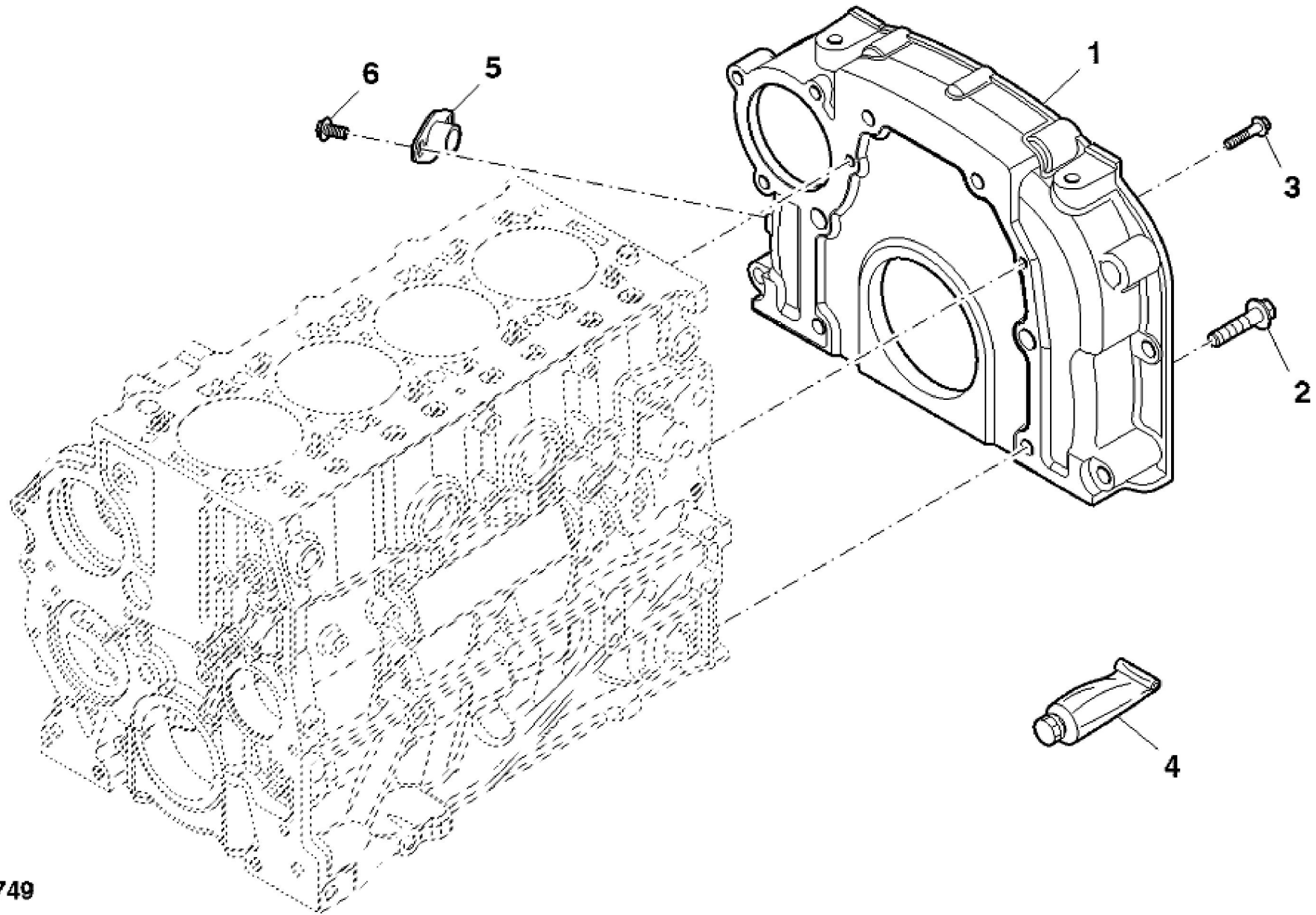
PY040246

KEY	PART NO.	PART NAME	QTY	REMARKS	
1	ER0504221916	COVER	3		
2	ER0504349057	COVER	1		
3	ER0504372247	BREATHER	1		
4	ER0504173590	ENGINE CYLINDER HEAD GASKET	4		
5	ER0016586625	BOLT	8	M8 X 35	



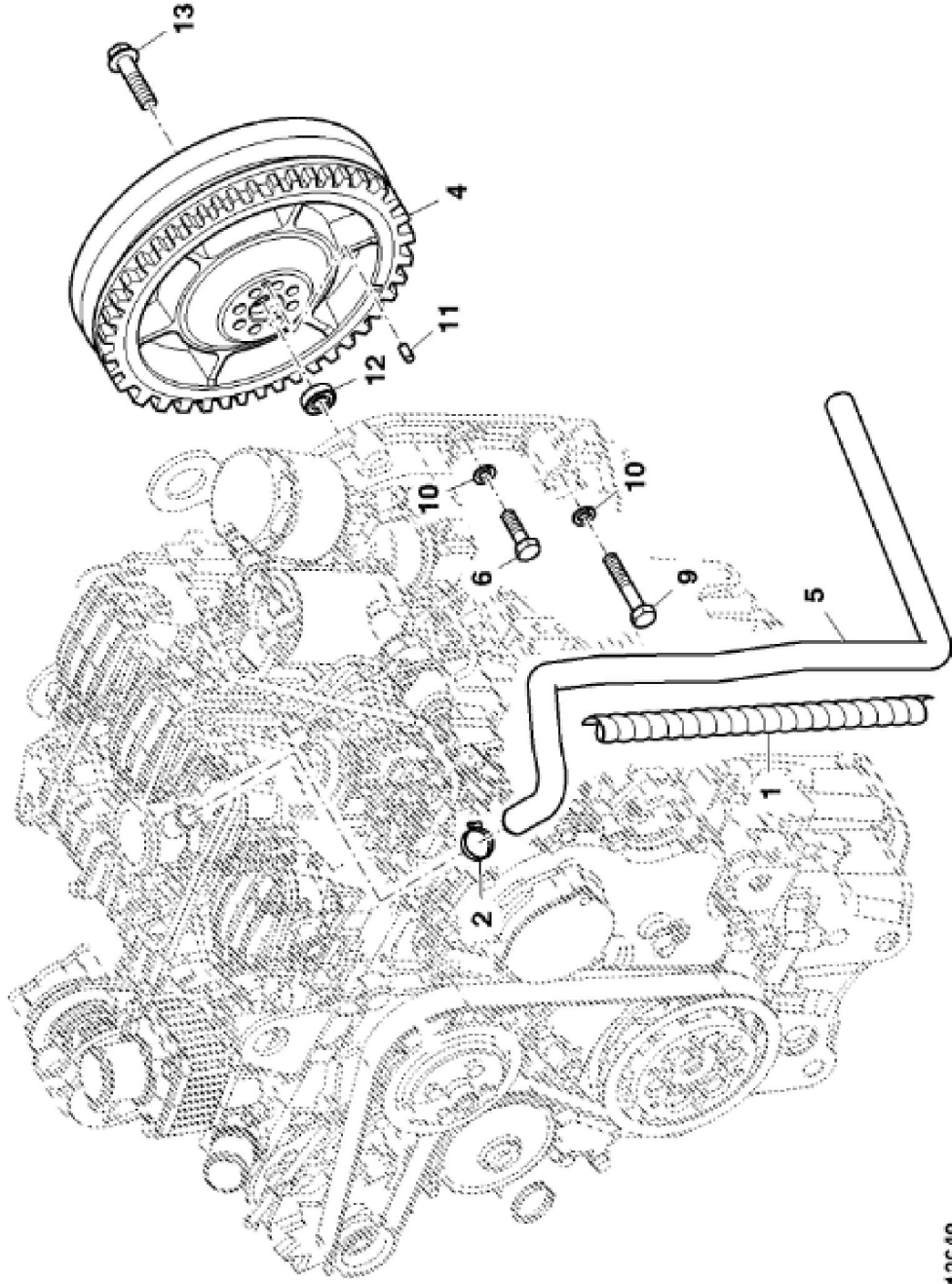
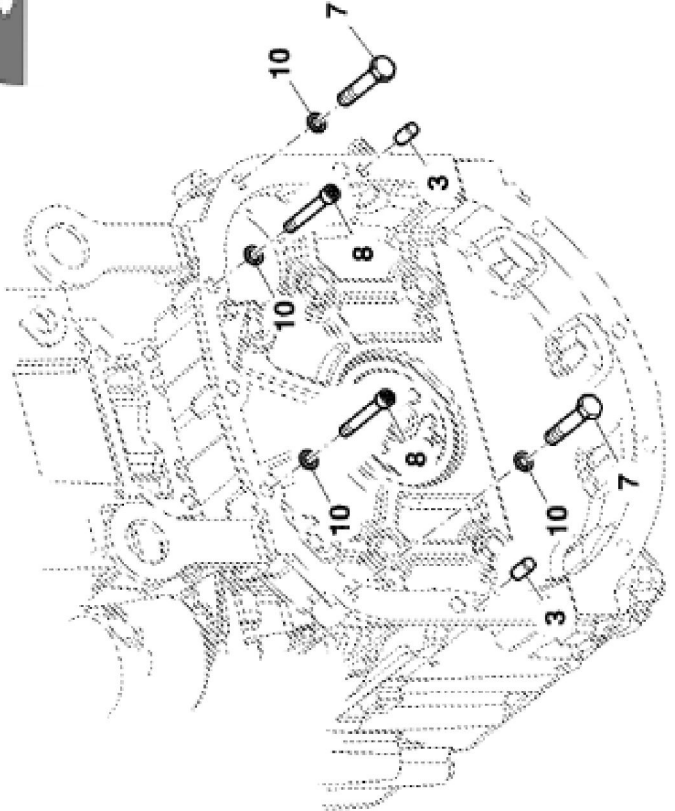
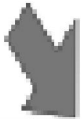
PY040342

KEY	PART NO.	PART NAME	QTY	REMARKS	
1	ER0504187090	PULLEY	1		
2	ER0016675835	BOLT	6	M10 X 30 mm	
3	ER0504253015	V-BELT	1		



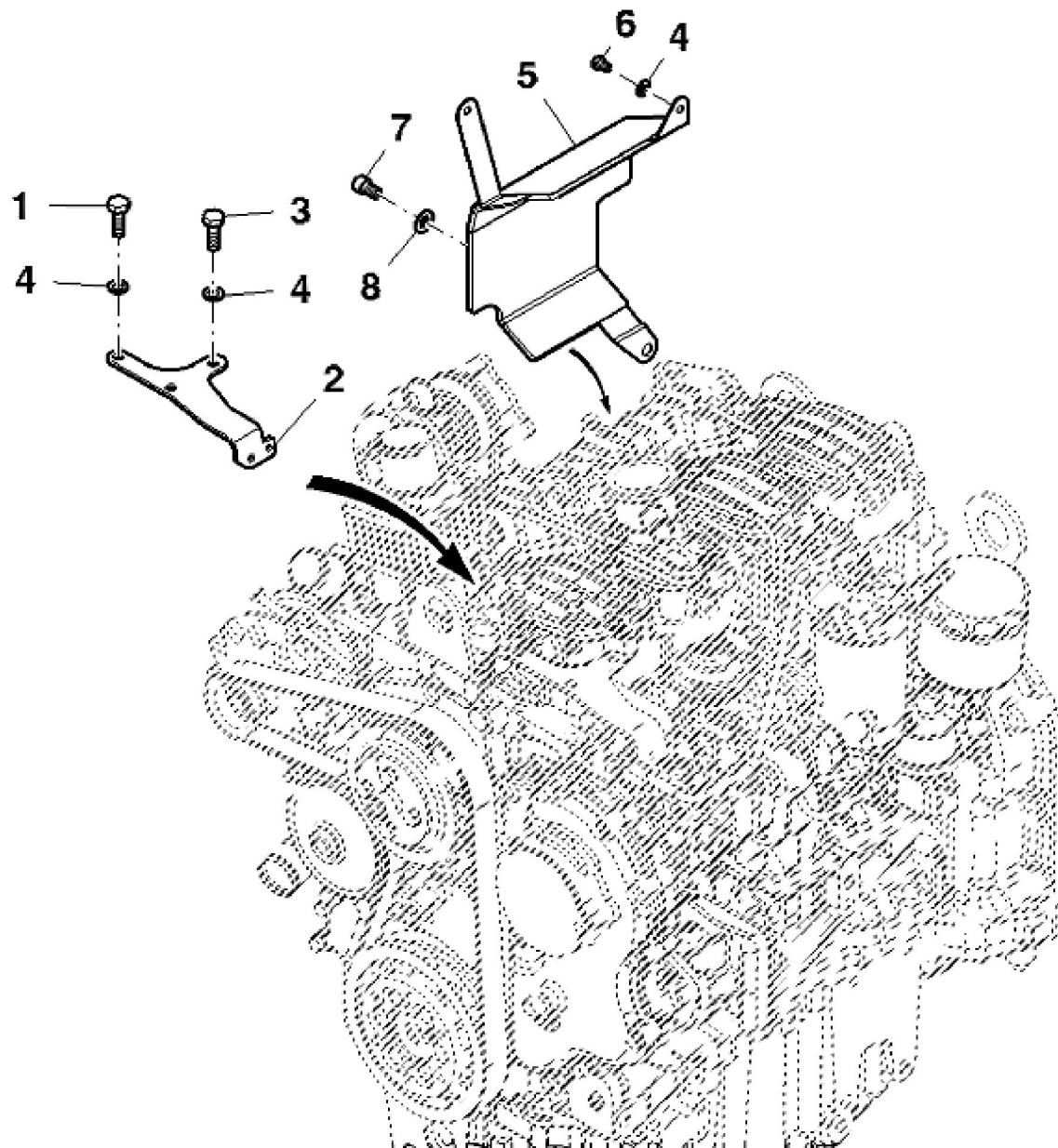
PY040749

KEY	PART NO.	PART NAME	QTY	REMARKS	
1	ER0504180348	FLYWHEEL	1		
2	ER0016678034	BOLT	6	M8 X 1.25 X 25	
3	ER0016673735	BOLT	2	M12 X 40	
4	ER0002992544	ADHESIVE	1		
5	ER0504265766	CONNECTING ROD	1		
6	ER0504351177	SCREW	2	M8 X 1.25	



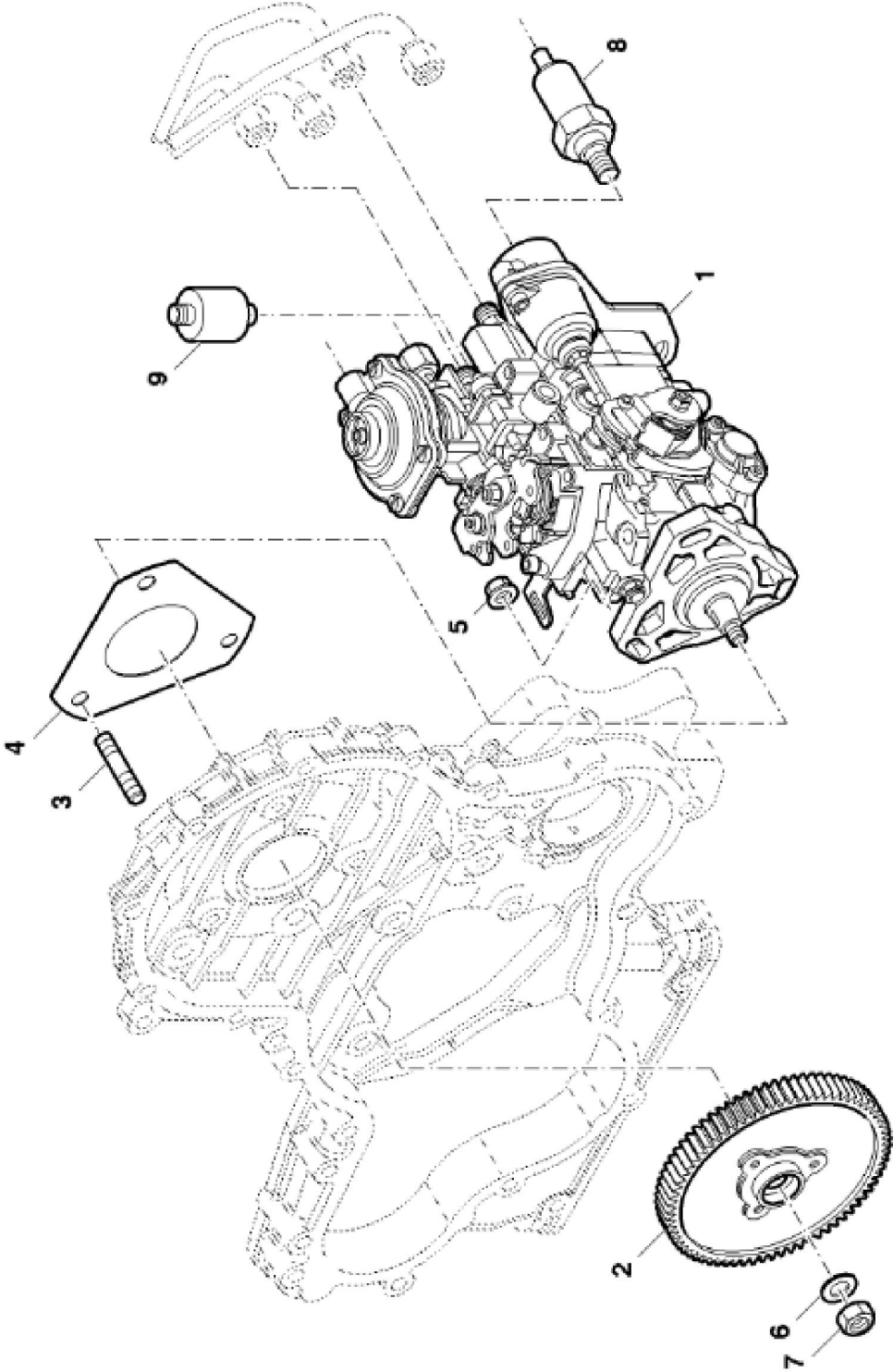
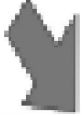
LX213649

KEY	PART NO.	PART NAME	QTY	REMARKS	
1	ER201677	HOSE GUARD	1		
2	ER136575	CLAMP	1		
3	ER202960	DOWEL PIN	2		
4	ER372511	FLYWHEEL	1		
5	ER383846	HOSE	1		
6	ER021143	BOLT	6	M12 X 50	
7	ER021148	BOLT	2	M12 X 60	
8	ER021155	BOLT	2	M12 X 80	
9	ER021157	BOLT	2	M12 X 90	
10	ER022861	WASHER	12		
11	ER024502	DOWEL PIN	1		
12	ER026017	BEARING	1		
13	ER393149	BOLT	8	M8 X 12	



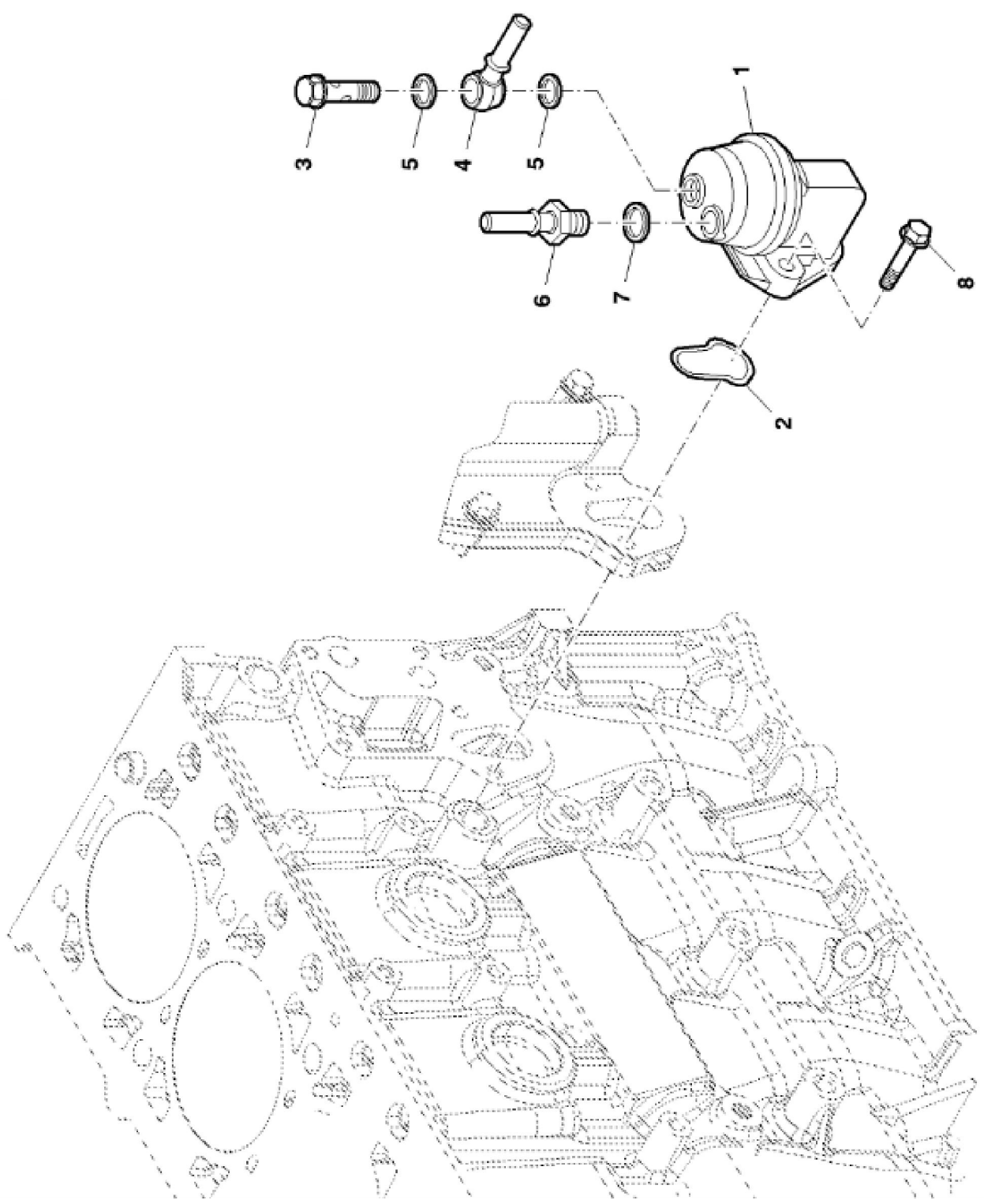
LX213197

KEY	PART NO.	PART NAME	QTY	REMARKS	
1	ER020781	BOLT	2	M8 X 25	
2	ER405140	BRACKET	1		
3	ER020778	SCREW	1	M8 X 20	
4	ER023109	WASHER	5		
5	ER389183	HEAT SHIELD	1		
6	ER020775	BOLT	2	M8 X 12	
7	ER021419	SCREW	1	M12 X 20	
8	ER023113	WASHER	1		



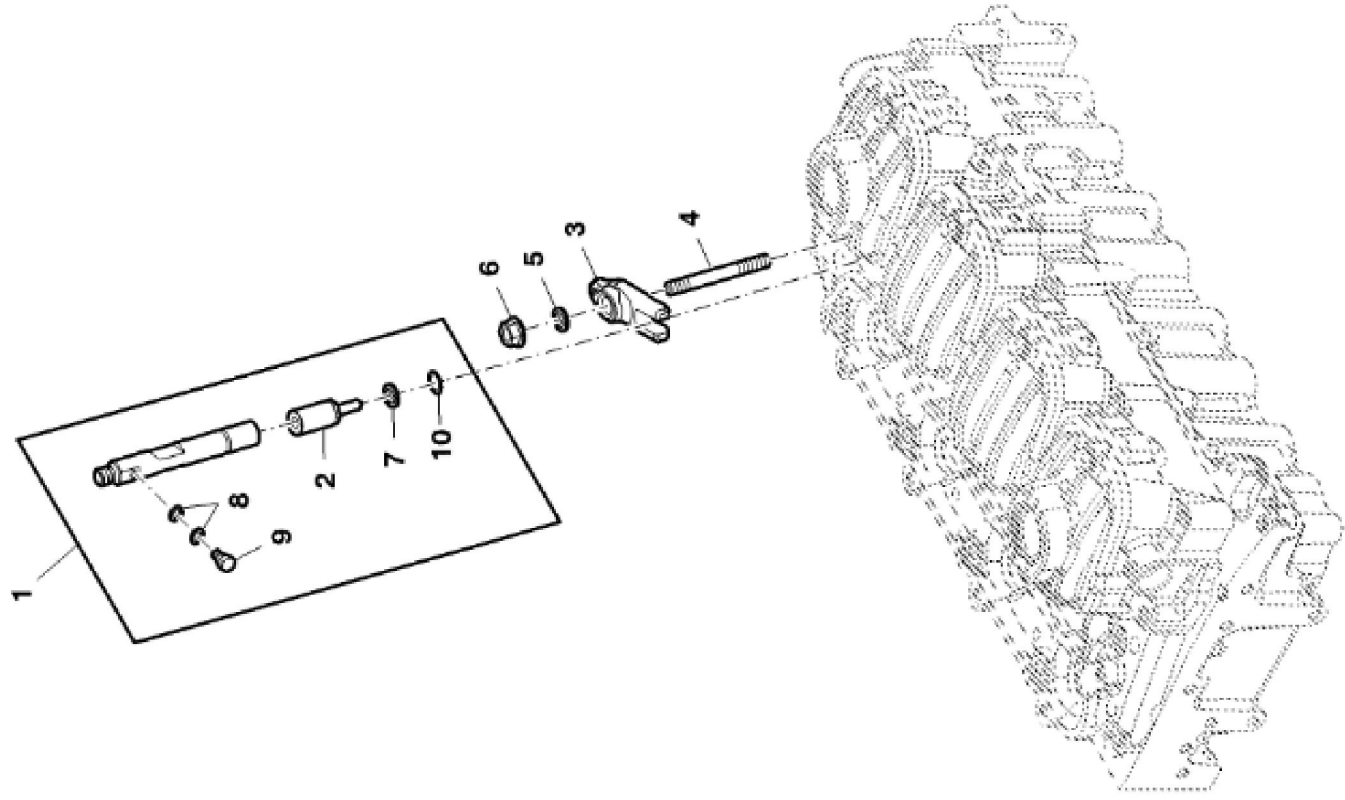
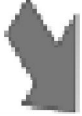
PY040546

KEY	PART NO.	PART NAME	QTY	REMARKS	
1	ER0504385659	FUEL INJECTION PUMP	1		
2	ER0504240405	GEAR	1		
3	ER0504315405	STUD	1		
4	ER0504083433	GASKET	3		
5	ER0500368408	NUT	3	M8	
6	ER0017095401	WASHER	1		
7	ER0016980331	NUT	1	M14	
8	ER0093160151	SENSOR	1		
9	ER0042533181	SOLENOID	1	12V	



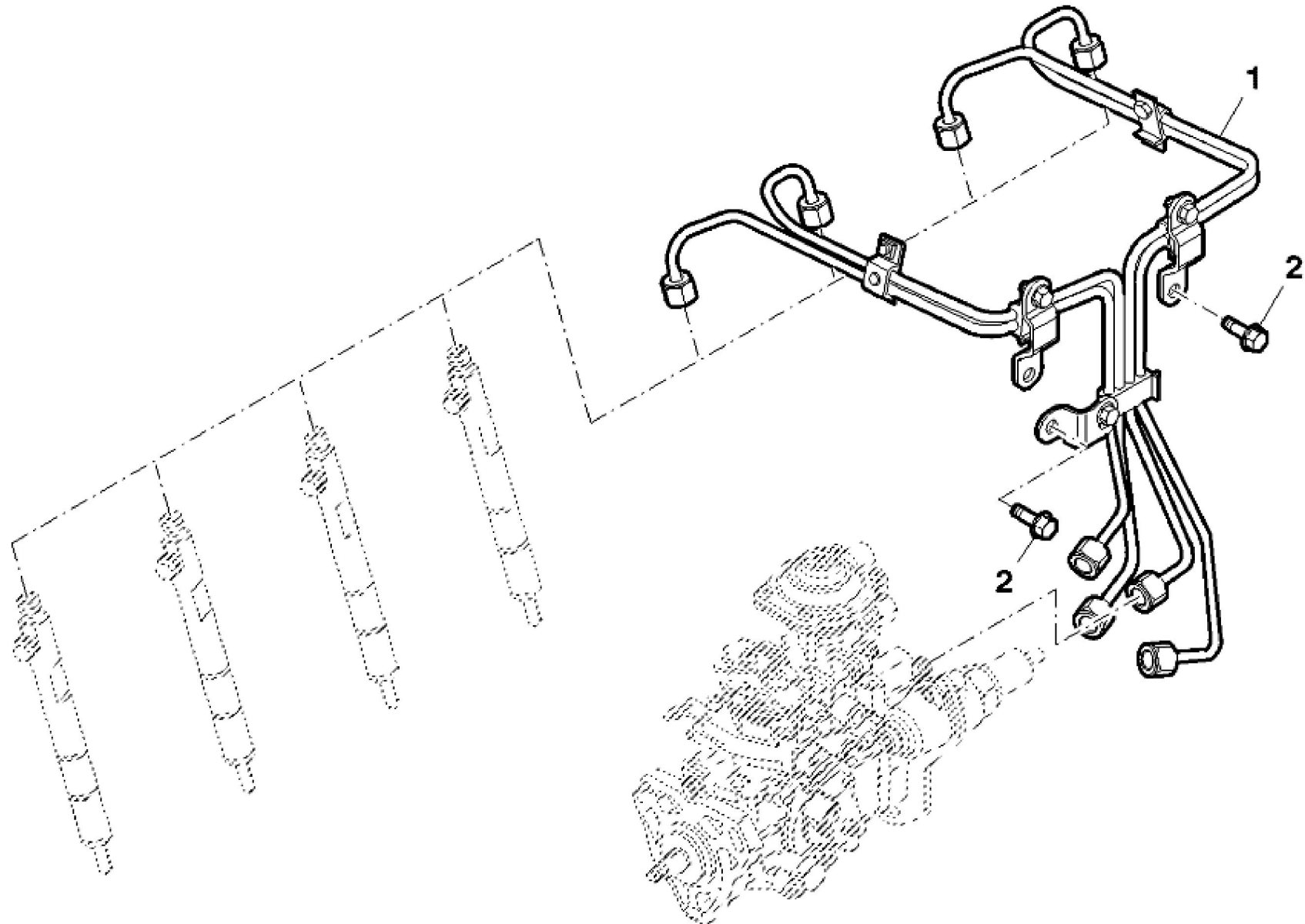
PY040196

KEY	PART NO.	PART NAME	QTY	REMARKS	
1	ER0504380241	FUEL PUMP	1		
2	ER0002830156	O-RING	1		
3	ER0504218933	HOLLOW SCREW	1		
4	ER0504218931	FUEL SUPPLY BANJO FITTING	1		
5	ER0017750480	GASKET	2		
6	ER0504197289	UNION FITTING	1		
7	ER0004894721	WASHER	1		
8	ER0016586925	BOLT	1	M8 X 50 mm	



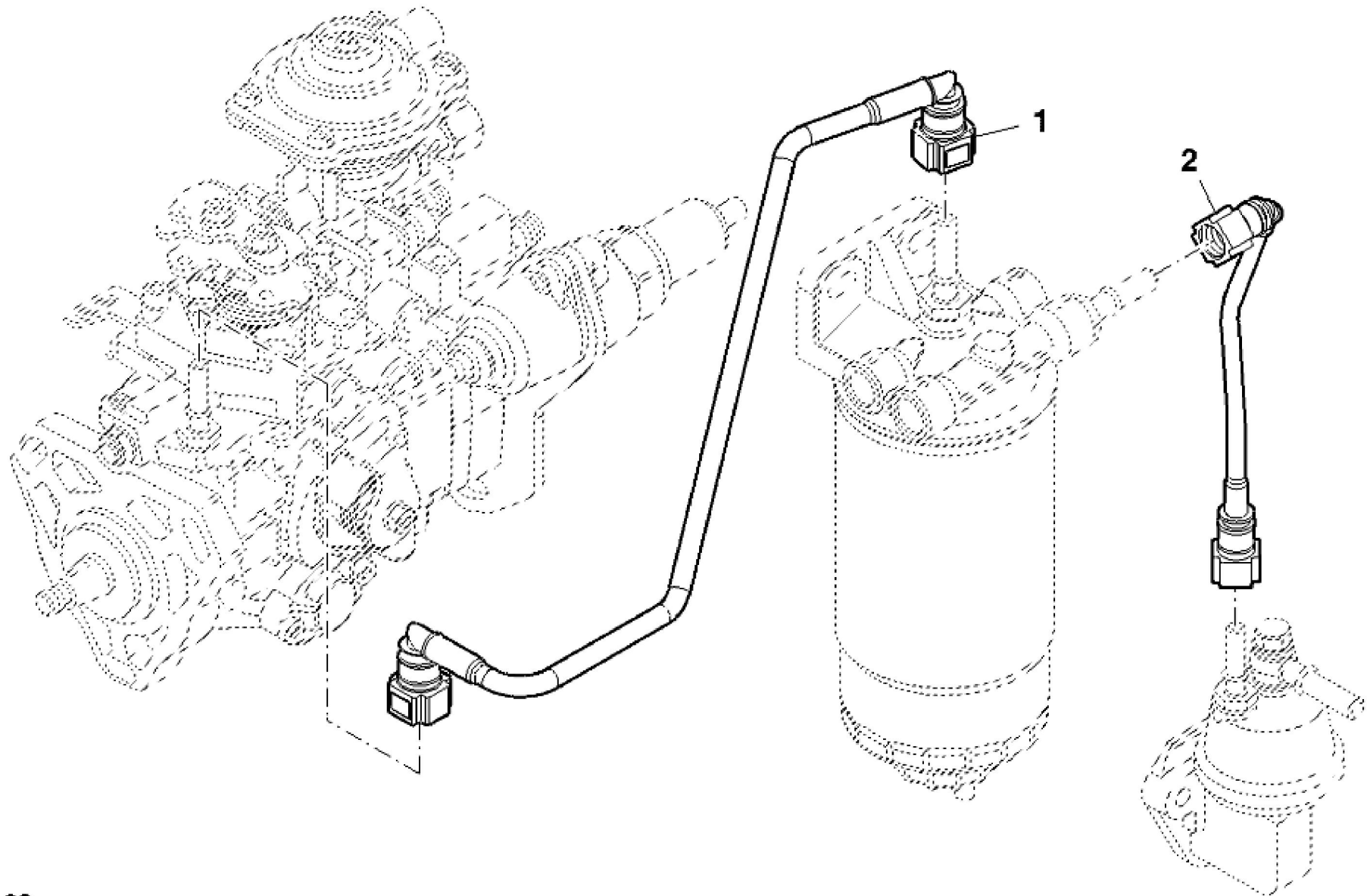
PY040550

KEY	PART NO.	PART NAME	QTY	REMARKS	
1	ER0504275234	INJECTION NOZZLE	4		
2	ER0008097589	NOZZLE	4		
3	ER0504174745	BRACKET	4		
4	ER0504315404	STUD	4		
5	ER0500353601	WASHER	4		
6	ER0017044735	NUT	4	M8	
7	ER0004899689	WASHER	4		
8	ER0001118641	WASHER	8		
9	ER0093190600	SCREW	4		
10	ER0017278281	O-RING	4		



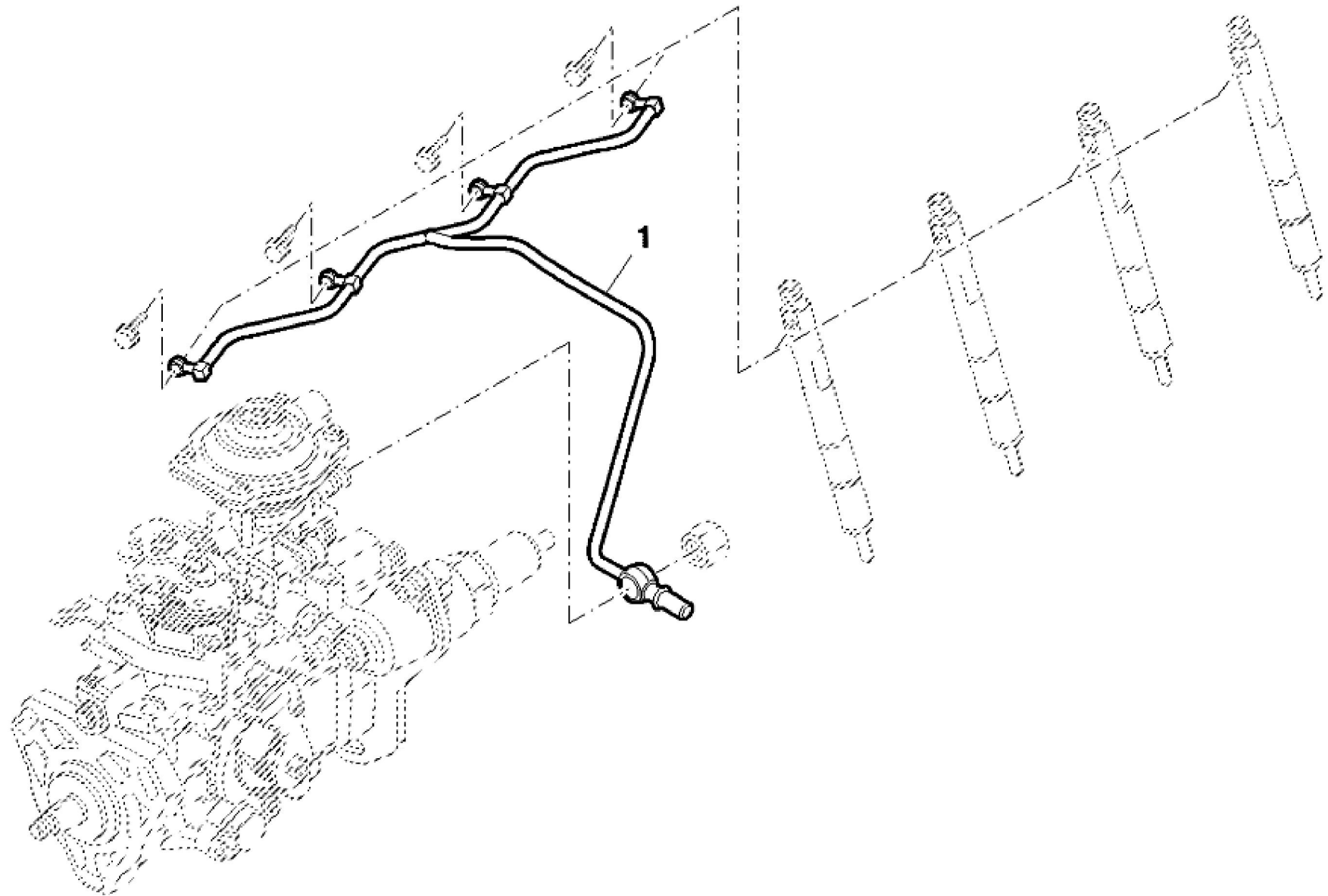
PY040197

KEY	PART NO.	PART NAME	QTY	REMARKS	
1	ER0504216298	LINE	1		
2	ER0016597925	BOLT	3	M8 X 14 mm	



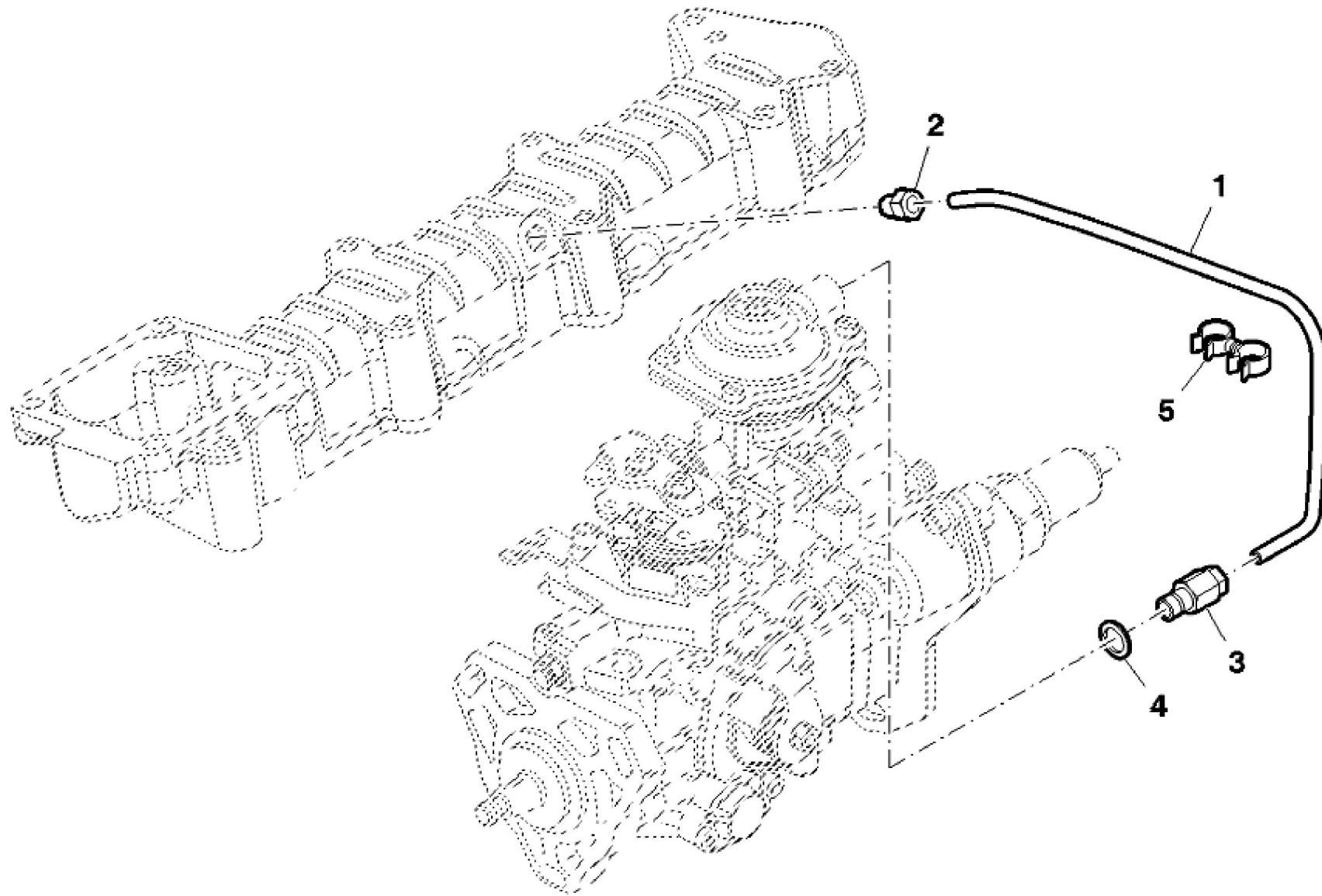
PY040198

KEY	PART NO.	PART NAME	QTY	REMARKS	
1	ER0504207948	LINE	1		
2	ER0504184992	FUEL LINE	1		



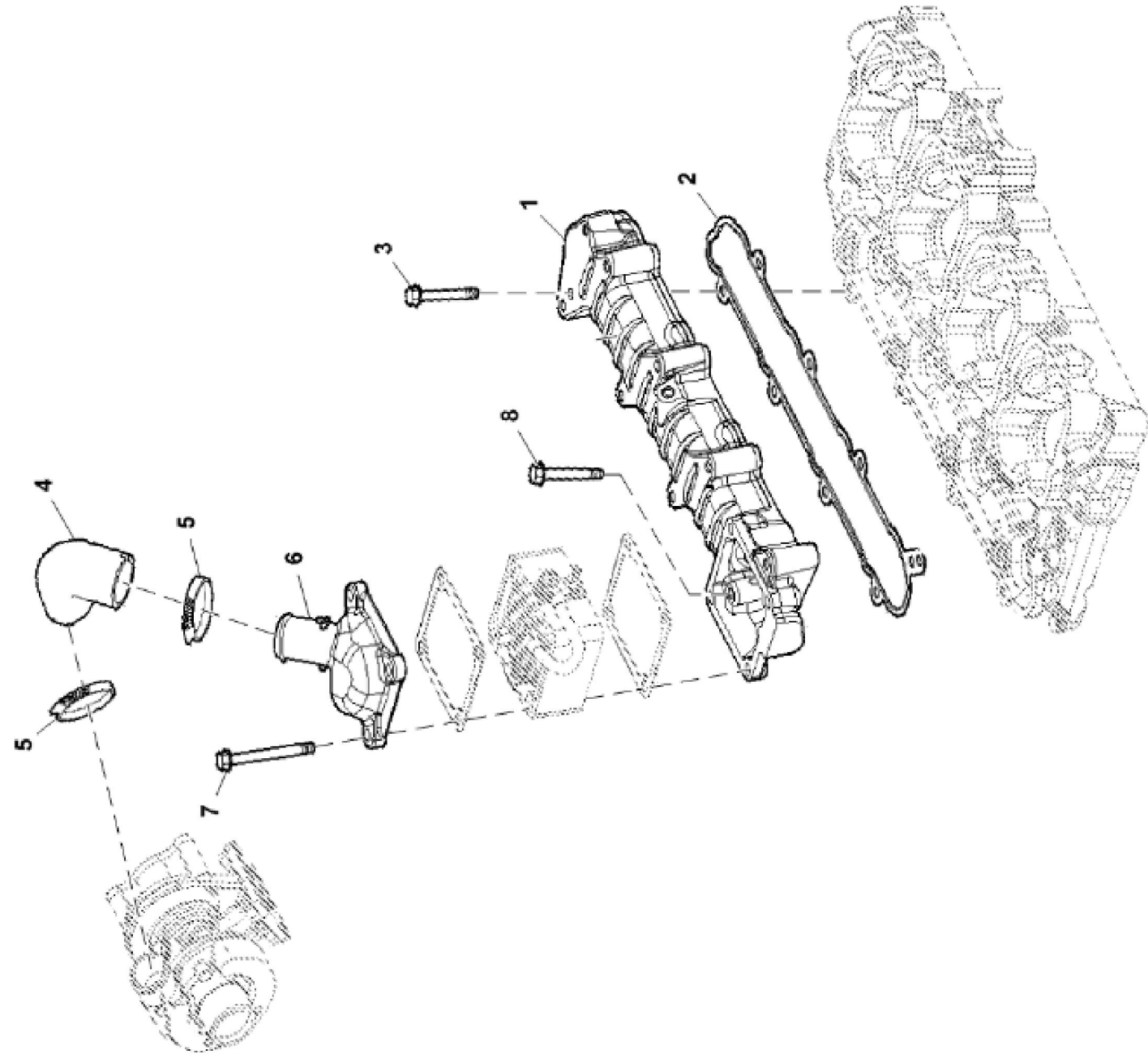
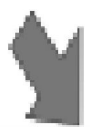
PY040200

KEY	PART NO.	PART NAME	QTY	REMARKS	
1	ER0504372185	FUEL LINE	1		



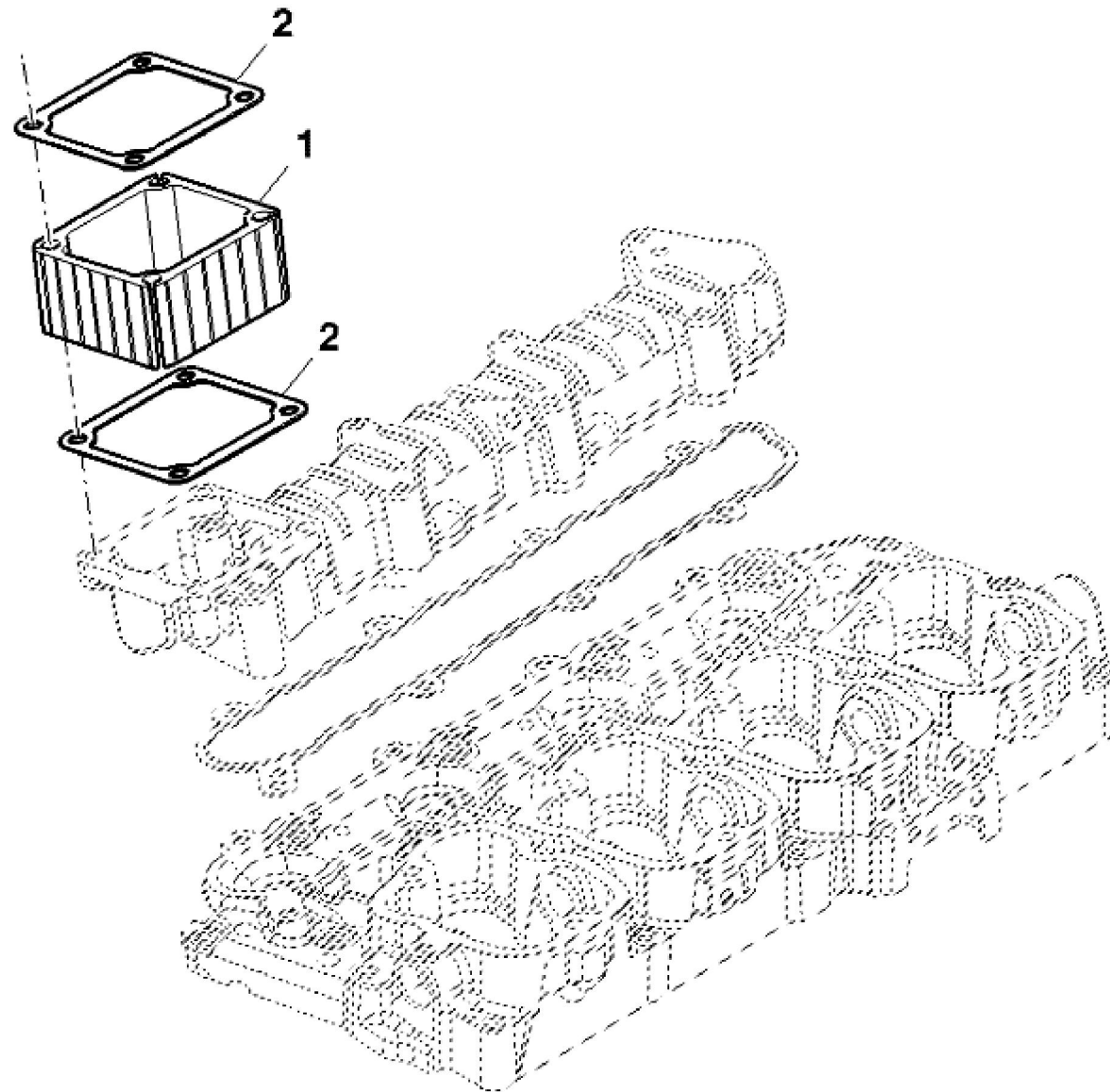
PY040549

KEY	PART NO.	PART NAME	QTY	REMARKS	
1	ER0504341138	FUEL LINE	1		
2	ER0004896770	HOSE FITTING	1		
3	ER0004893518	HOSE FITTING	1		
4	ER0004858605	WASHER	1		
5	ER0098429625	CLAMP	2		



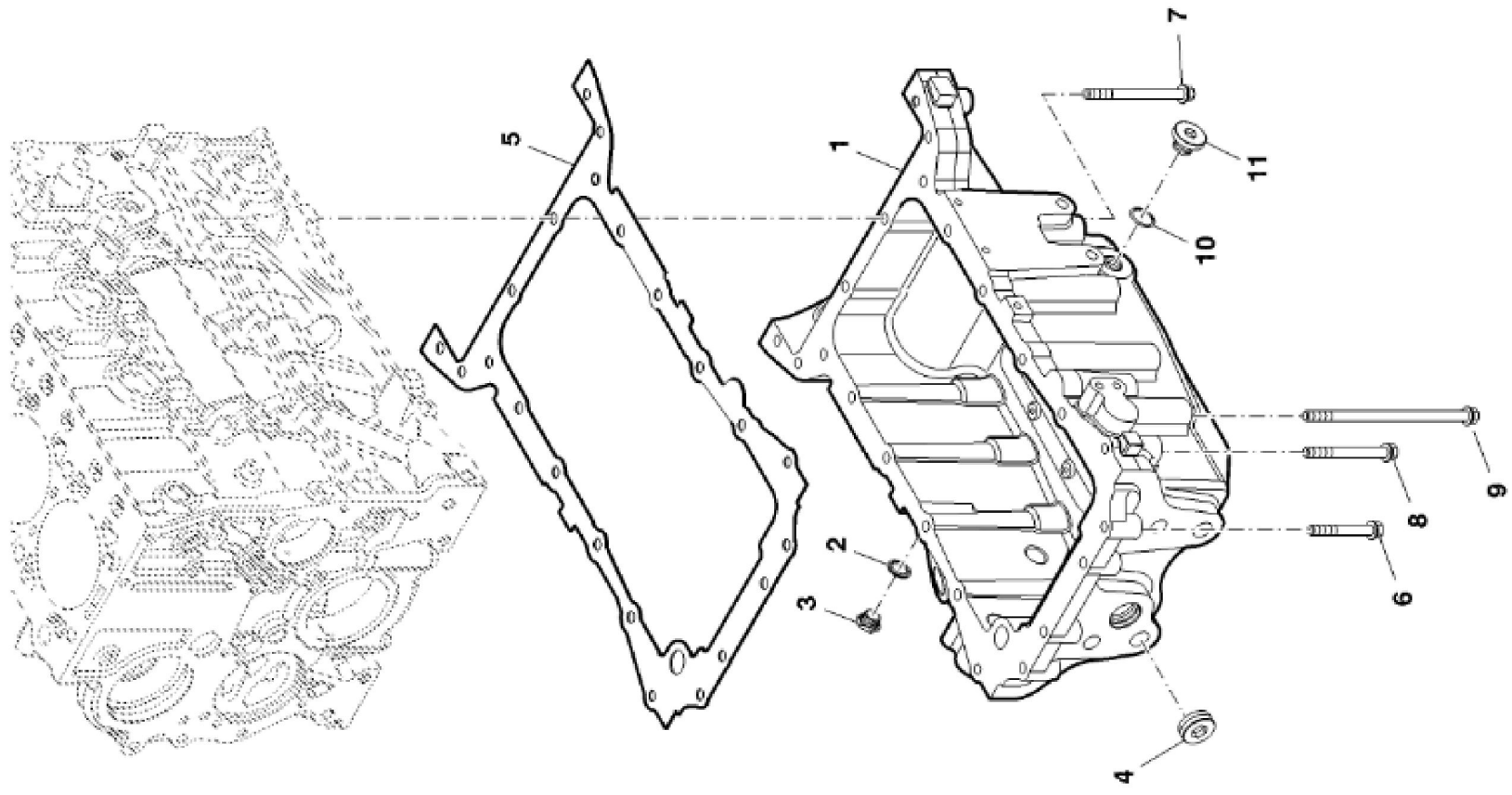
LX224529

KEY	PART NO.	PART NAME	QTY	REMARKS	
1	ER0504194598	INTAKE MANIFOLD	1		
2	ER0504171144	GASKET	1		
3	ER0016592325	BOLT	7	M8 X 40	
4	ER0504170945	HOSE	1		
5	ER0004899693	CLIP	2		
6	ER0504225807	COVER	1		
7	ER0016592525	BOLT	4	M8 X 70	
8	ER0504315406	BOLT	1	M8 X 1.25 X 55	



PY040617

KEY	PART NO.	PART NAME	QTY	REMARKS	
1	ER0004895648	SPACER	1		
2	ER0004899921	GASKET	2		



PY040411

Please write to us.

Our email:

aservicemanualpdf@yahoo.com

**Please go to the homepage
to get the full manual, or
other brand PDF manuals.**

Home Site:

aservicemanualpdf.com

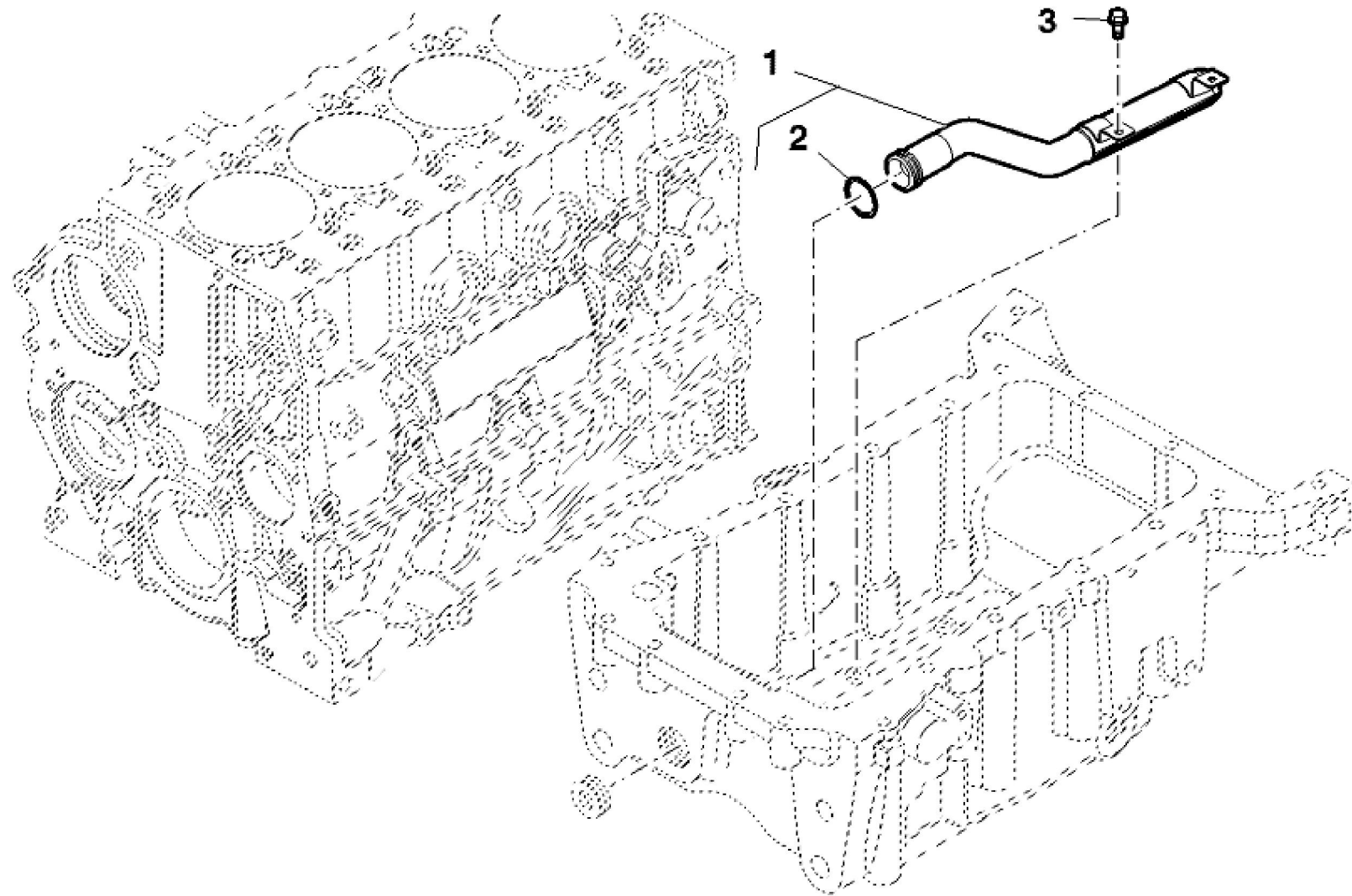
**Thank you very much for
your reading. Please Click
Here. Then Get COMPLETE
MANUAL. NO WAITING**



NOTE:

**If there is no response to
click on the link above,
please download the PDF
document first and then
click on it.**

KEY	PART NO.	PART NAME	QTY	REMARKS	
1	ER0504248781	OIL PAN	1		
2	ER5801560870	SEALING RING	1		
3	ER0016992415	PLUG	1		
4	ER0016995111	PLUG	1		
5	ER0504164360	GASKET	1		
6	ER0016676534	BOLT	8		
7	ER0016677235	BOLT	2		
8	ER0016676934	BOLT	4		
9	ER0016599434	BOLT	8		
10	ER0017282280	O-RING	2		
11	ER0004894139	PLUG	2		



PY040250

KEY	PART NO.	PART NAME	QTY	REMARKS	
1	ER0504260238	SUCTION HOSE	1		
2	ER0017282281	O-RING	1		
3	ER0016585625	BOLT	2	M6 X 12	