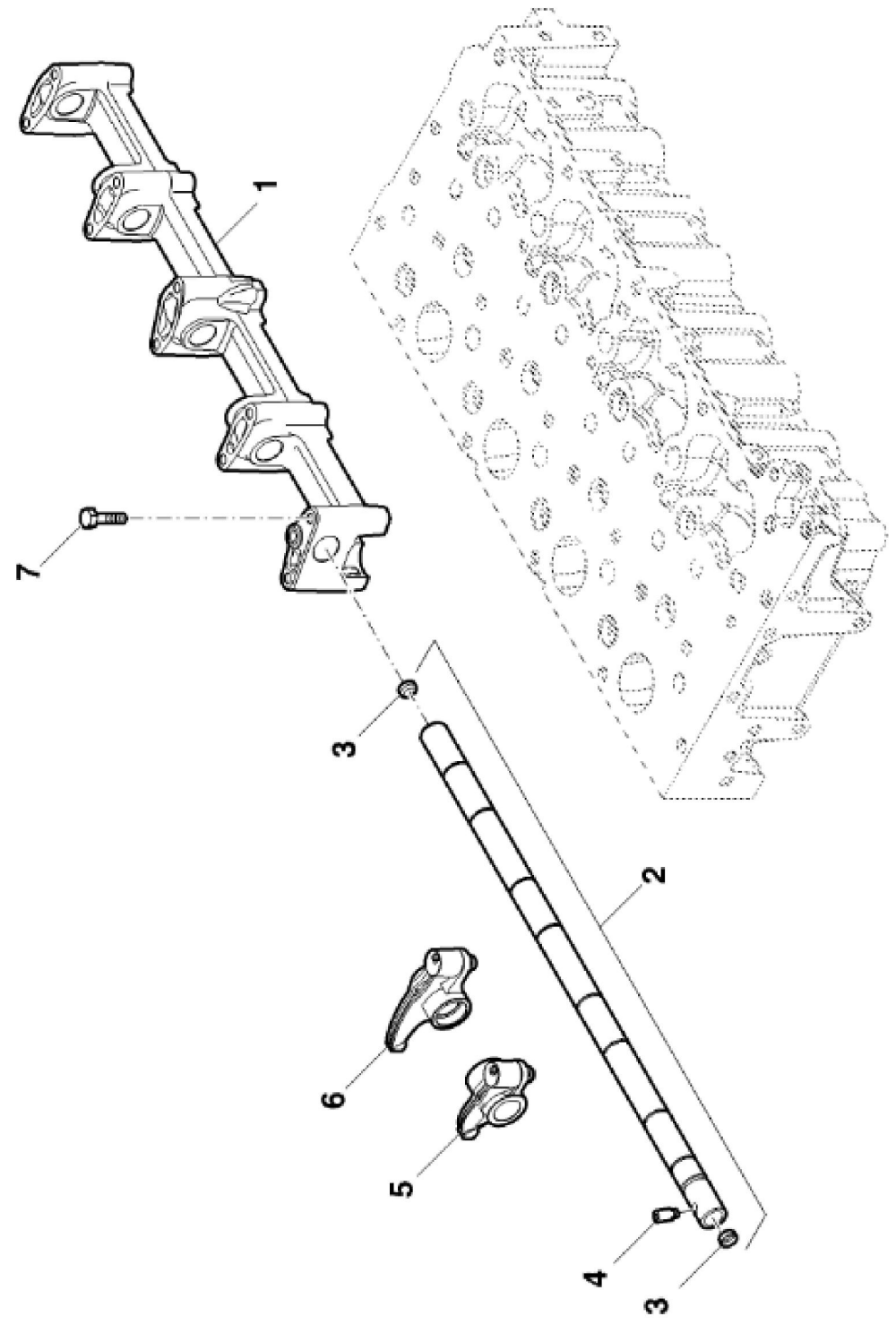


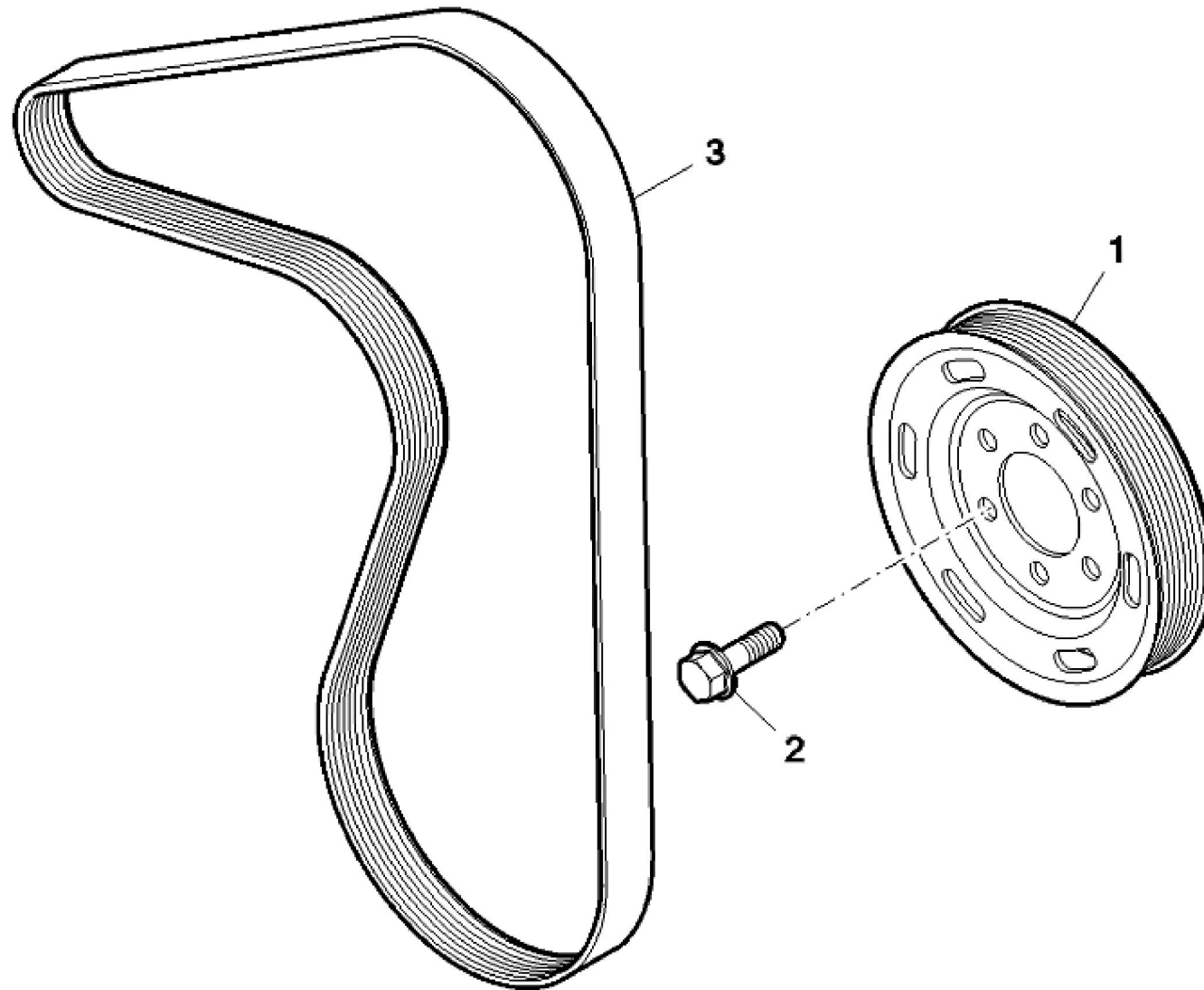
PY040245

KEY	PART NO.	PART NAME	QTY	REMARKS	
1	ER5801363172	HOUSING	1		
2	ER5801363175	GASKET	4		
3	ER0504273002	PLUG	4	M12 X 1.5	
4	ER0016673835	BOLT	9	M12 X 30	



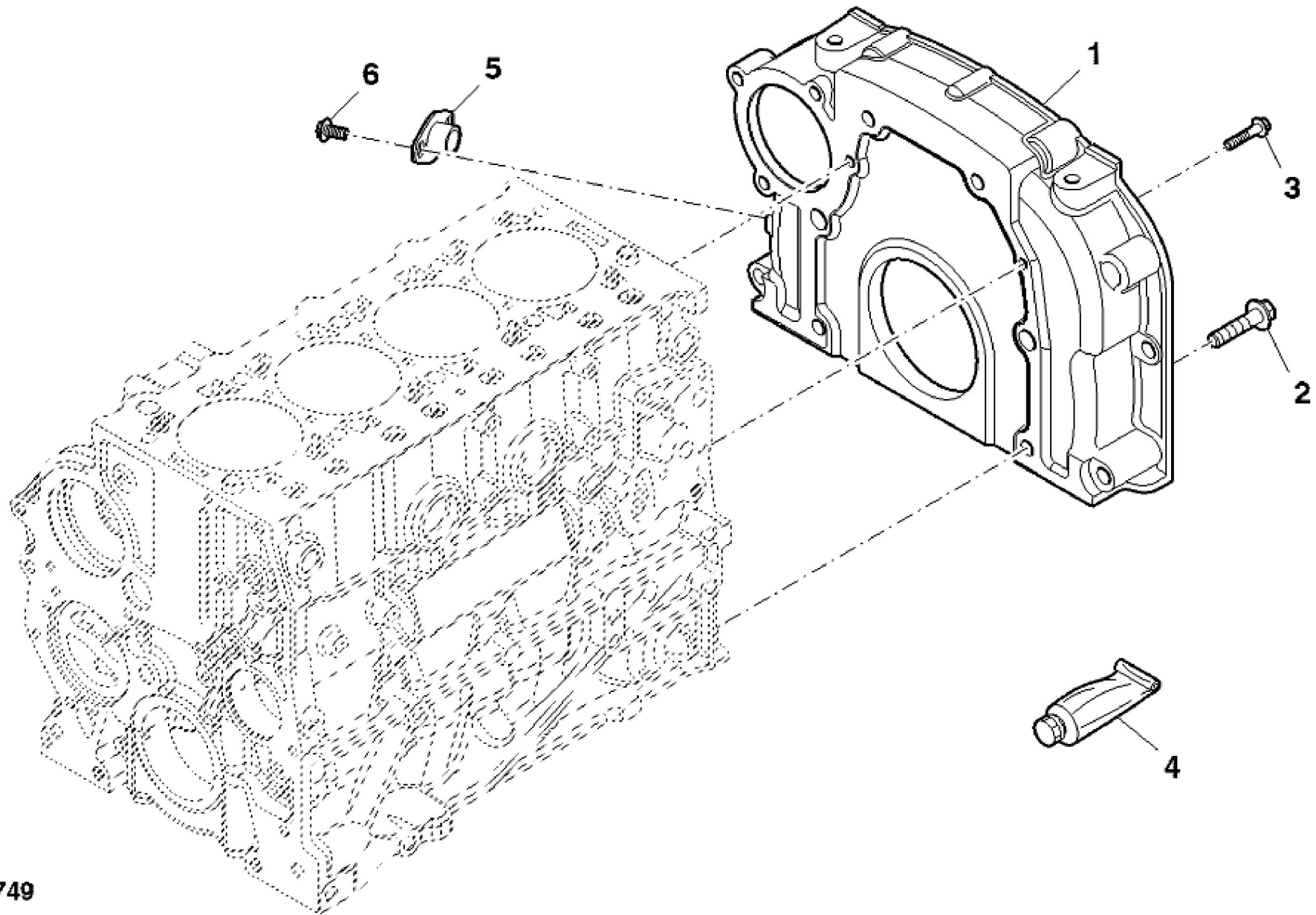
PY040448

KEY	PART NO.	PART NAME	QTY	REMARKS	
1	ER5801364420	SUPPORT	1		
2	ER5801364425	SHAFT	1		
3	ER0016987801	PLUG	2		
4	ER0099454296	SCREW	1		
5	ER0504389302	ROCKER ARM	4		
6	ER0504389297	ROCKER ARM	4		
7	ER0018139224	BOLT	10		



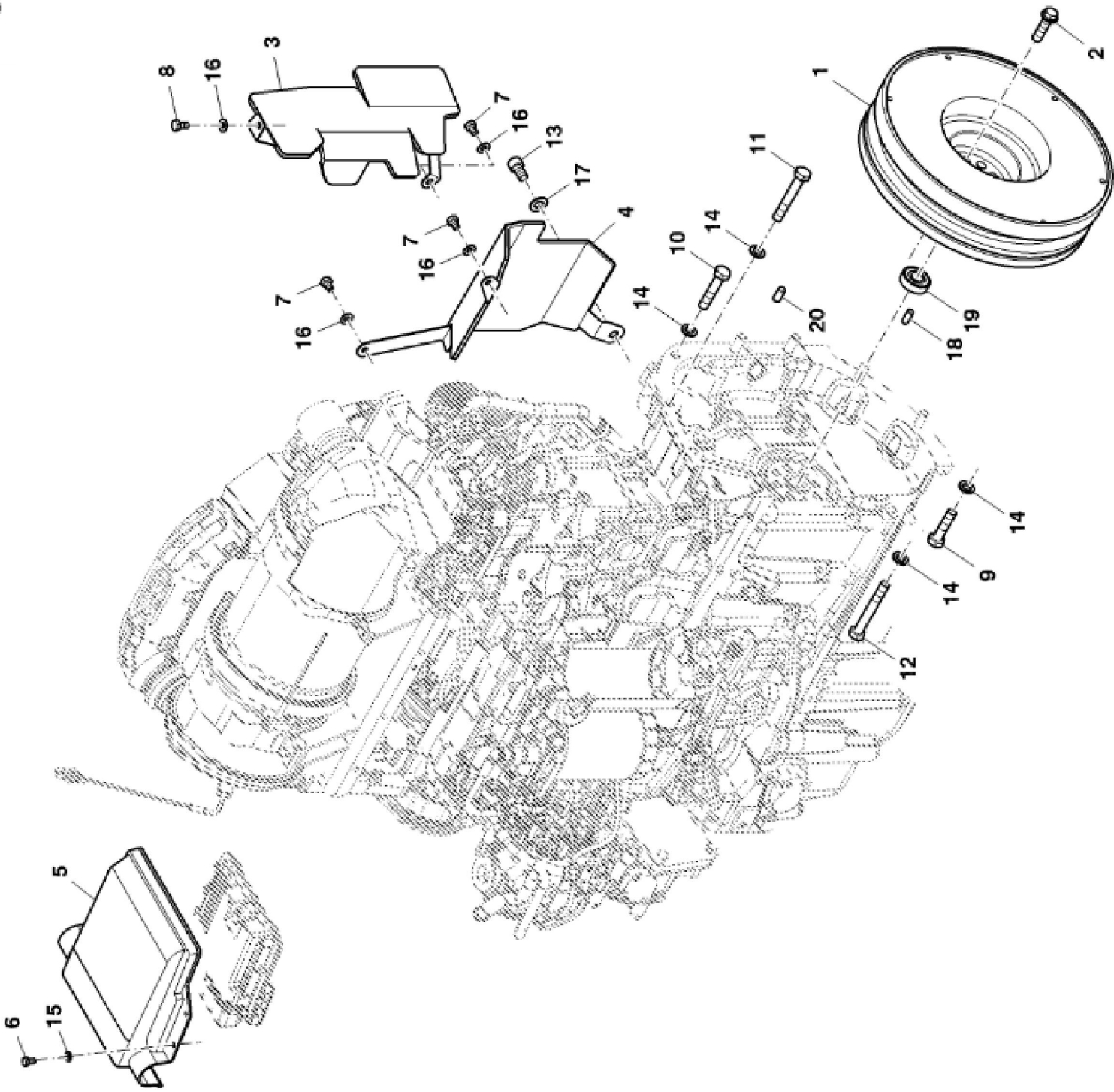
PY040343

KEY	PART NO.	PART NAME	QTY	REMARKS	
1	ER5801363585	PULLEY	1		
2	ER0016675835	BOLT	6		
3	ER5801440074	V-BELT	1		



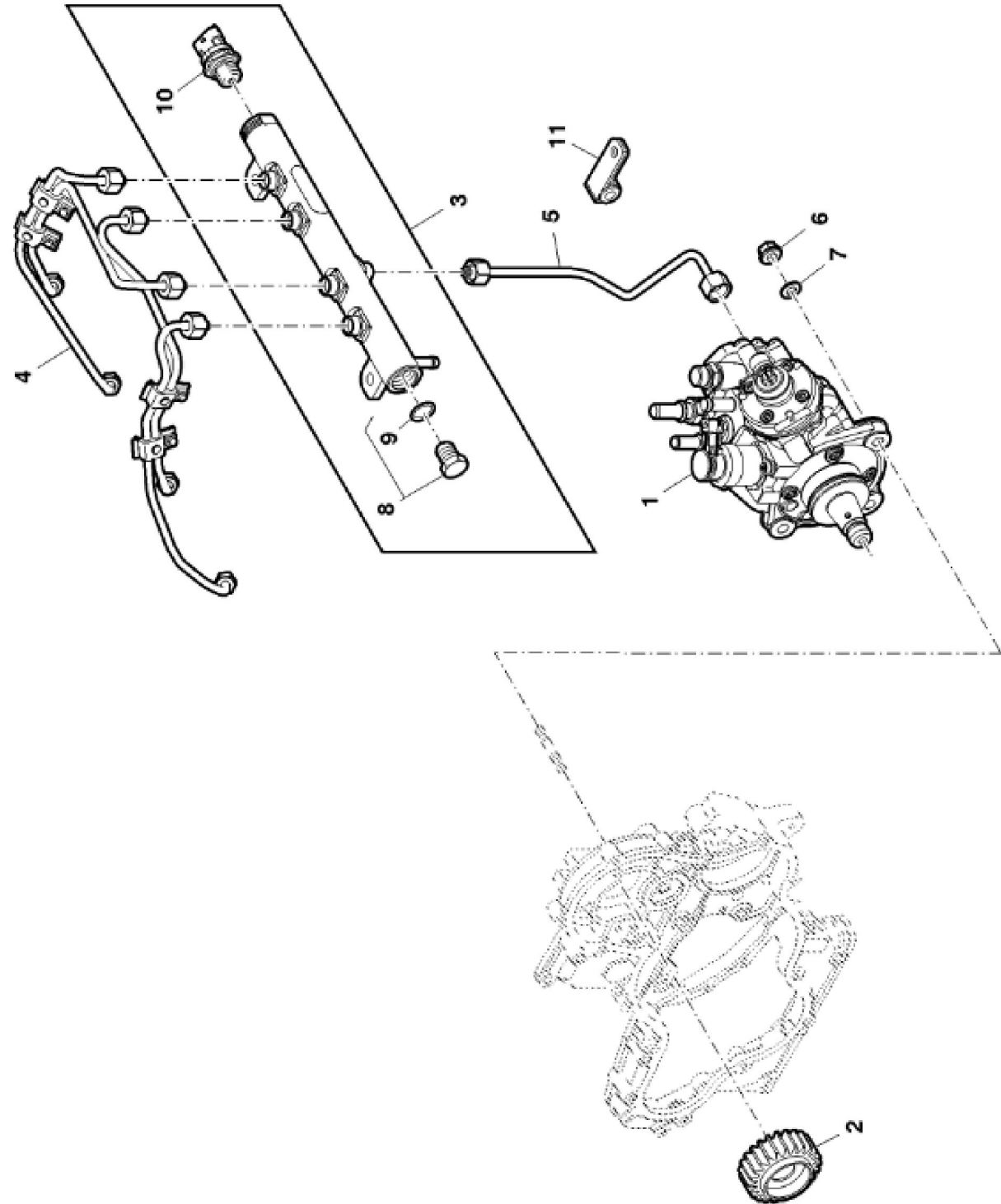
PY040749

KEY	PART NO.	PART NAME	QTY	REMARKS	
1	ER0504180348	HOUSING	1		
2	ER0016678034	BOLT	6	M8 X 1.25 X 25	
3	ER0016673735	BOLT	2	M12 X 40	
4	ER0002995644	ADHESIVE	1	SUB FOR ER0002992545	
5	ER0504265766	PLATE	1		
6	ER0504351177	SCREW	2	M8 X 1.25	



PY041544

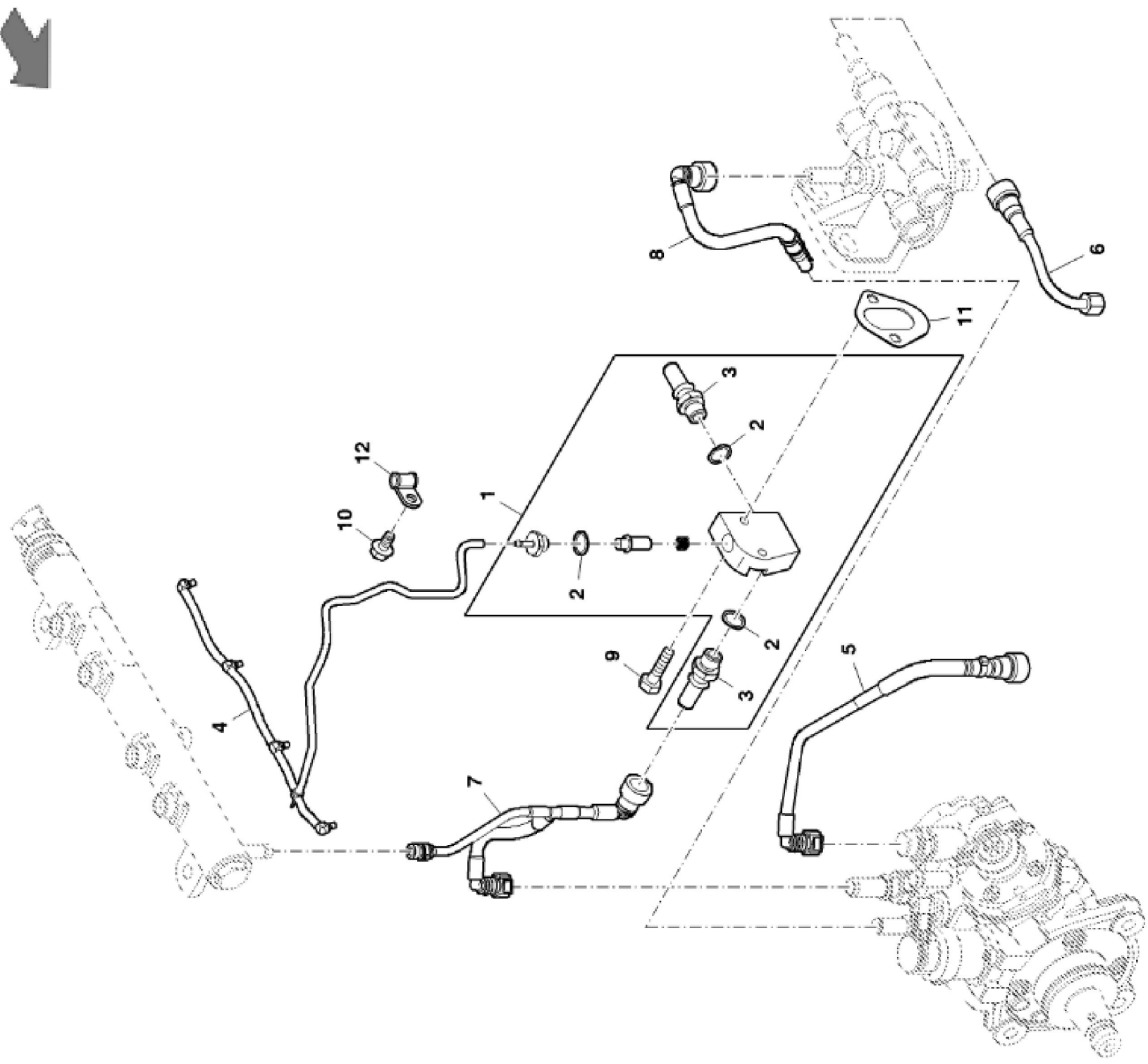
KEY	PART NO.	PART NAME	QTY	REMARKS	
1	ER372511	FLYWHEEL	1		
2	ER393149	BOLT	8	M12 X 42.5	
3	ER415656	HEAT SHIELD	1		
4	ER415680	HEAT SHIELD	1		
5	ER419470	COVER	1		
6	ER020744	BOLT	4	M6 X 12	
7	ER020775	BOLT	3	M8 X 12	
8	ER020776	BOLT	1	M8 X 16	
9	ER021143	BOLT	6	M12 X 50	
10	ER021148	BOLT	2	M12 X 60	
11	ER021155	BOLT	2	M12 X 80	
12	ER021157	BOLT	2	M12 X 90	
13	ER021419	BOLT	1	M12 X 20	
14	ER022861	WASHER	12		
15	ER023066	WASHER	4		
16	ER023109	WASHER	4		
17	ER023113	WASHER	1		
18	ER024502	PIN	1		
19	ER026017	BEARING	1		
20	ER202960	DOWEL PIN	2		



PY040548

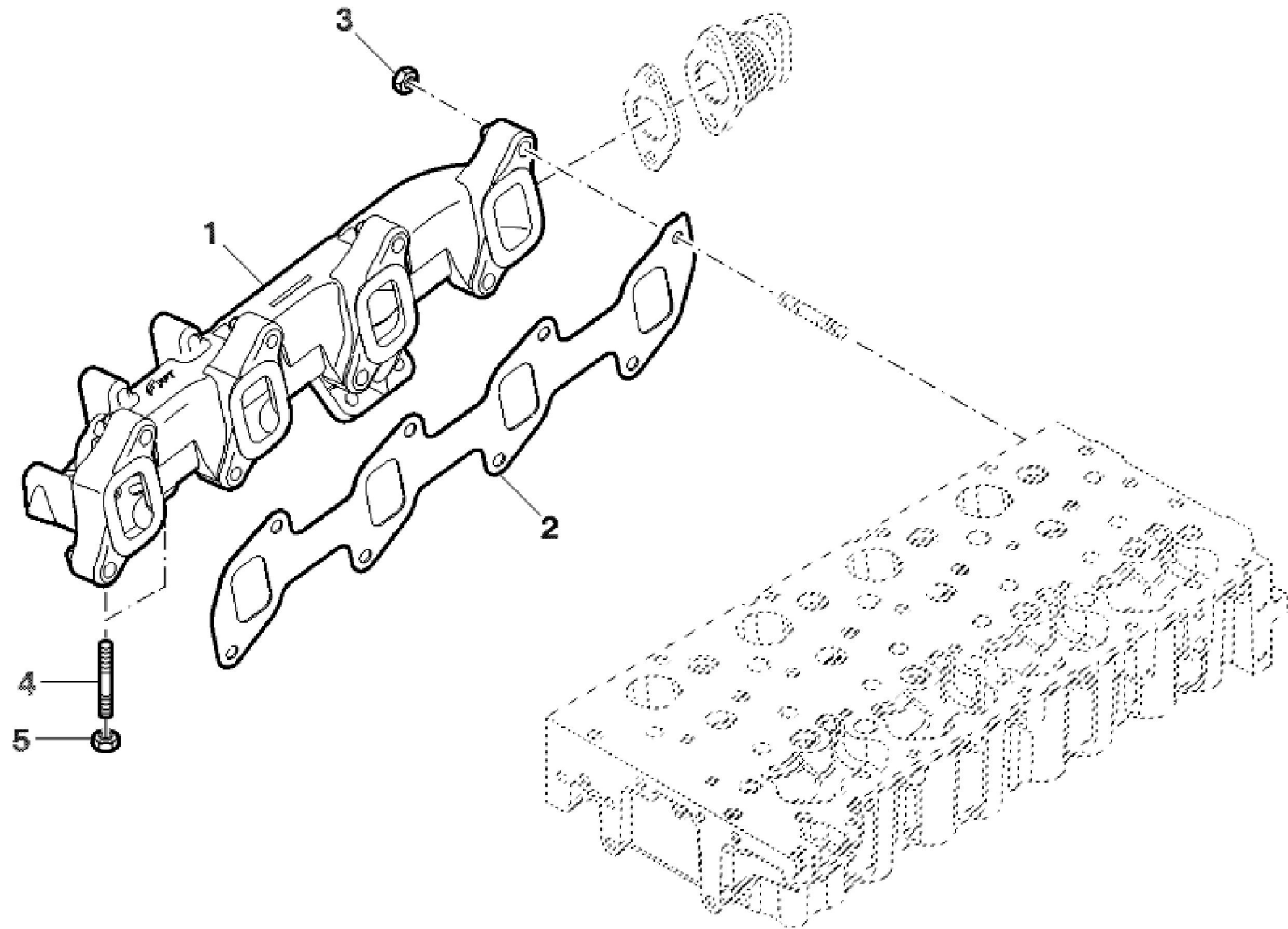
KEY	PART NO.	PART NAME	QTY	REMARKS	
1	ER5801470100	FUEL INJECTION PUMP	1		
2	ER0504387506	GEAR	1		
3	ER5801470105	FUEL RAIL	1		
4	ER0504387341	FUEL LINE	1		
5	ER0504387346	FUEL LINE	1		
6	ER0017044725	NUT	3	M8	
7	ER0017094904	WASHER	3		
8	ER5801474163	VALVE	1		
9	ER0042553494	O-RING	1		
10	ER5801474160	SENSOR	1		
11	ER5801555843	BRACKET	1		

KEY	PART NO.	PART NAME	QTY	REMARKS	
1	ER5801470098	ELECTRONIC UNIT INJECTOR	4		
2	ER0004899689	WASHER	4		
3	ER0504378841	BRACKET	4		
4	ER5801473742	STUD	4		
5	ER0500353601	WASHER	4		
6	ER0017044735	NUT	4	M8	
7	ER0008097971	CLAMP	4		



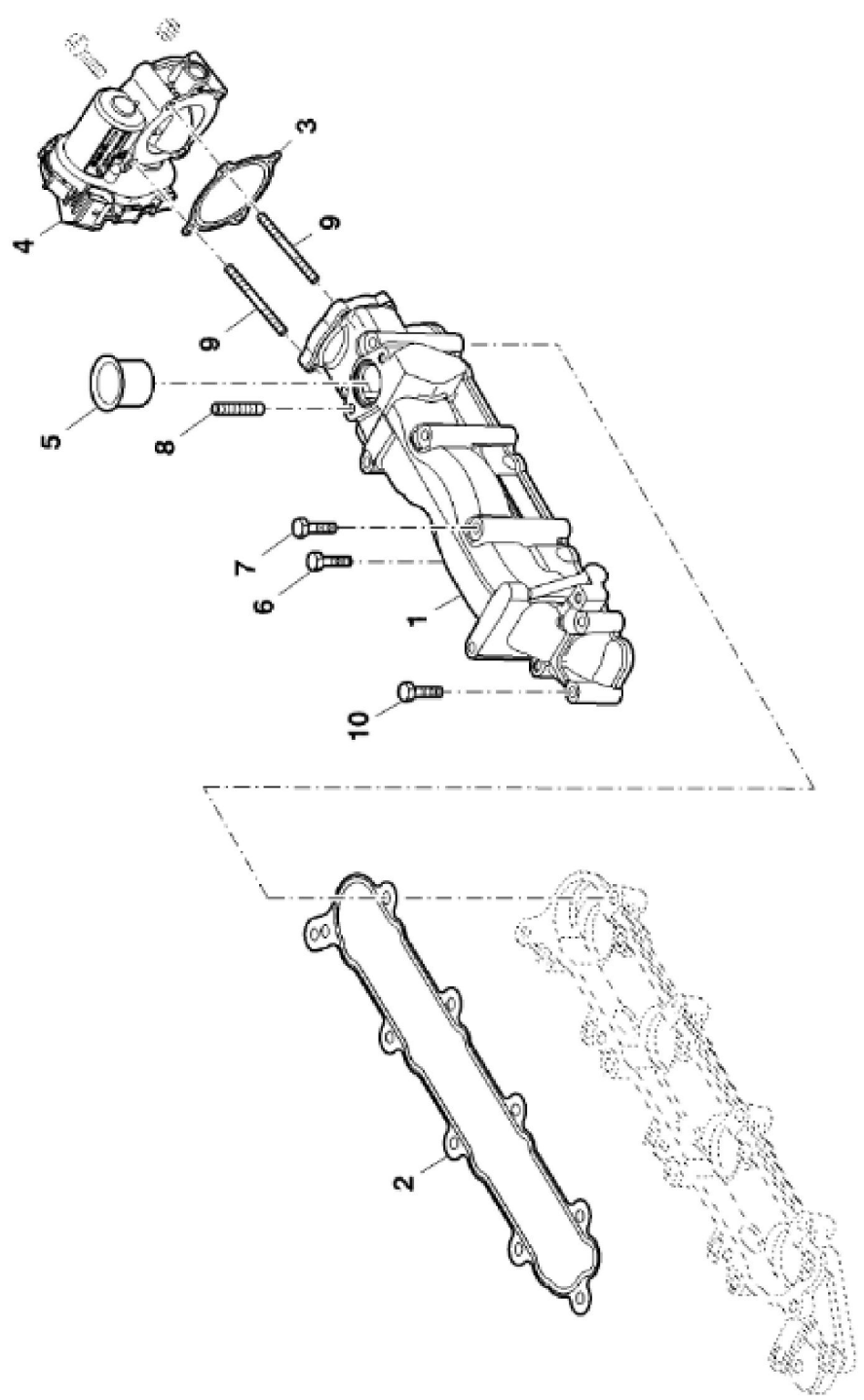
PY040199

KEY	PART NO.	PART NAME	QTY	REMARKS	
1	ER5801476221	VALVE	1		
2	ER0004858608	SEALING RING	3	ID = 14 mm	
3	ER5801518619	THREADED NIPPLE	2		
4	ER5801476218	FUEL LINE	1		
5	ER5801496365	FUEL LINE	1		
6	ER0504385537	FUEL LINE	1		
7	ER0504388781	FUEL LINE	1		
8	ER0504385539	FUEL LINE	1		
9	ER0016673835	BOLT	1	M8 X 30 mm	
10	ER0016597925	CAP	1	M8 X 14 mm	
11	ER0504332889	GASKET	1		
12	ER0017316290	CLIP	1		



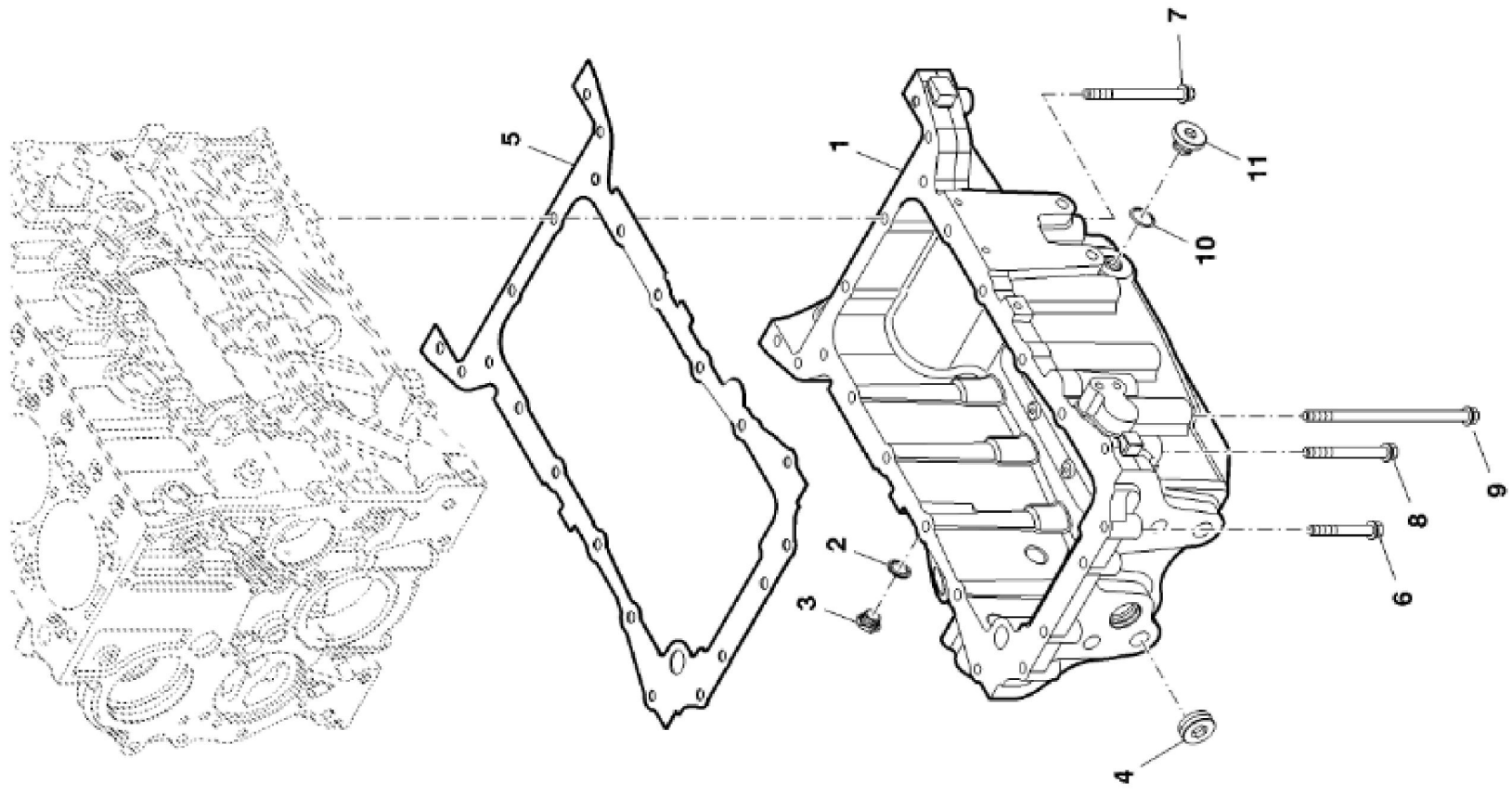
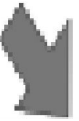
PY042040

KEY	PART NO.	PART NAME	QTY	REMARKS	
1	ER0504388669	EXHAUST MANIFOLD	1		
2	ER0504170332	EXHAUST MANIFOLD	1		
3	ER0504294819	NUT	8		
4	ER0016729434	STUD	2		
5	ER0500322677	NUT	2		



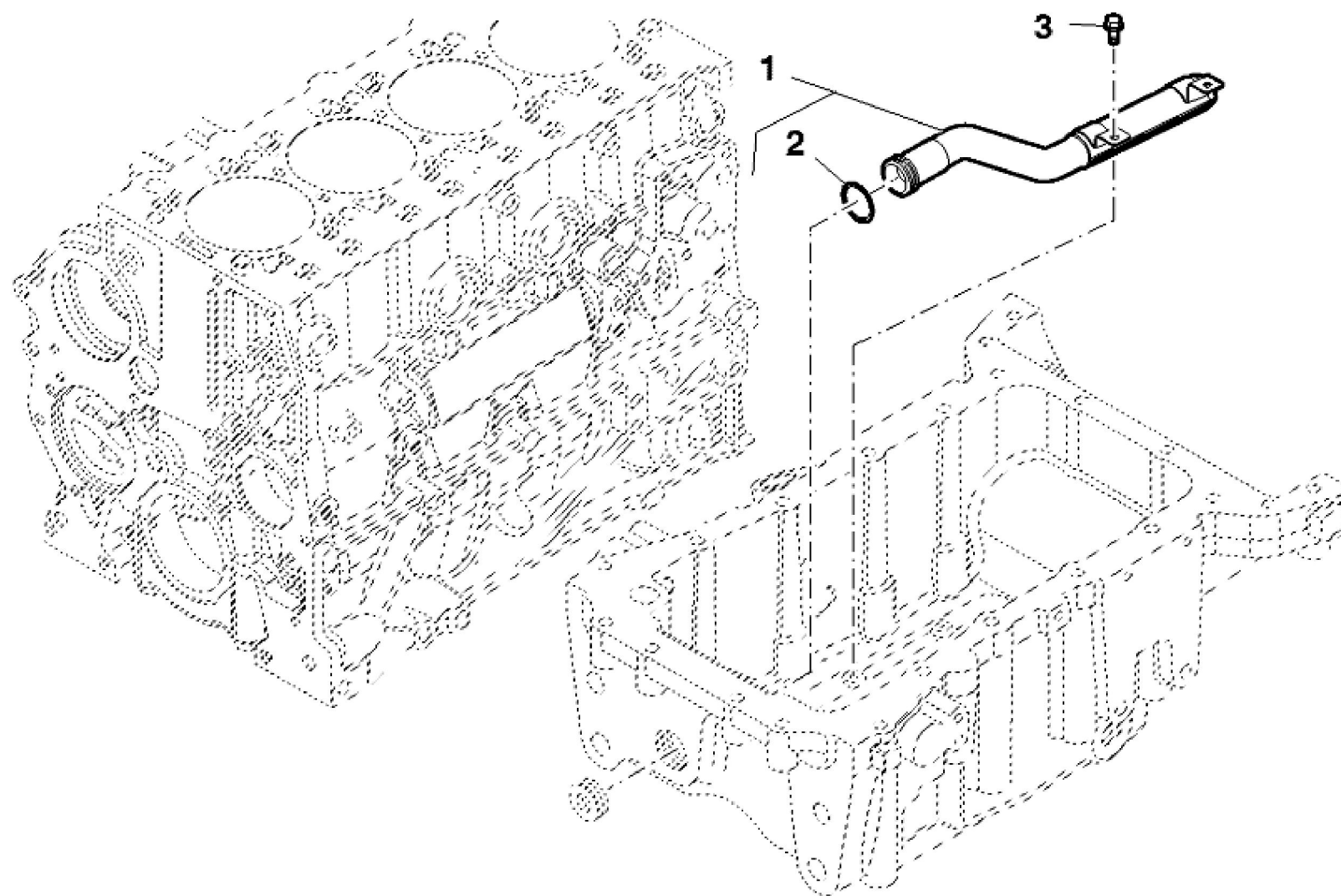
PY040450

KEY	PART NO.	PART NAME	QTY	REMARKS	
1	ER5801459439	INTAKE MANIFOLD	1		
2	ER0504380898	GASKET	1		
3	ER0504387920	GASKET	1		
4	ER0504385542	VALVE	1		
5	ER0504381914	HOSE FITTING	1		
6	ER0016673835	BOLT	2		
7	ER0016598425	BOLT	5		
8	ER0013518021	STUD	2		
9	ER0016728524	STUD	2		
10	ER0016586925	BOLT	2		



PY040411

KEY	PART NO.	PART NAME	QTY	REMARKS	
1	ER0504248781	OIL PAN	1		
2	ER5801560870	SEALING RING	1		
3	ER0016992415	PLUG	1		
4	ER0016995111	PLUG	1		
5	ER0504164360	GASKET	1		
6	ER0016676534	BOLT	8		
7	ER0016677235	BOLT	2		
8	ER0016676934	BOLT	4		
9	ER0016599434	BOLT	8		
10	ER0017282280	O-RING	2		
11	ER0004894139	PLUG	2		



PY040250

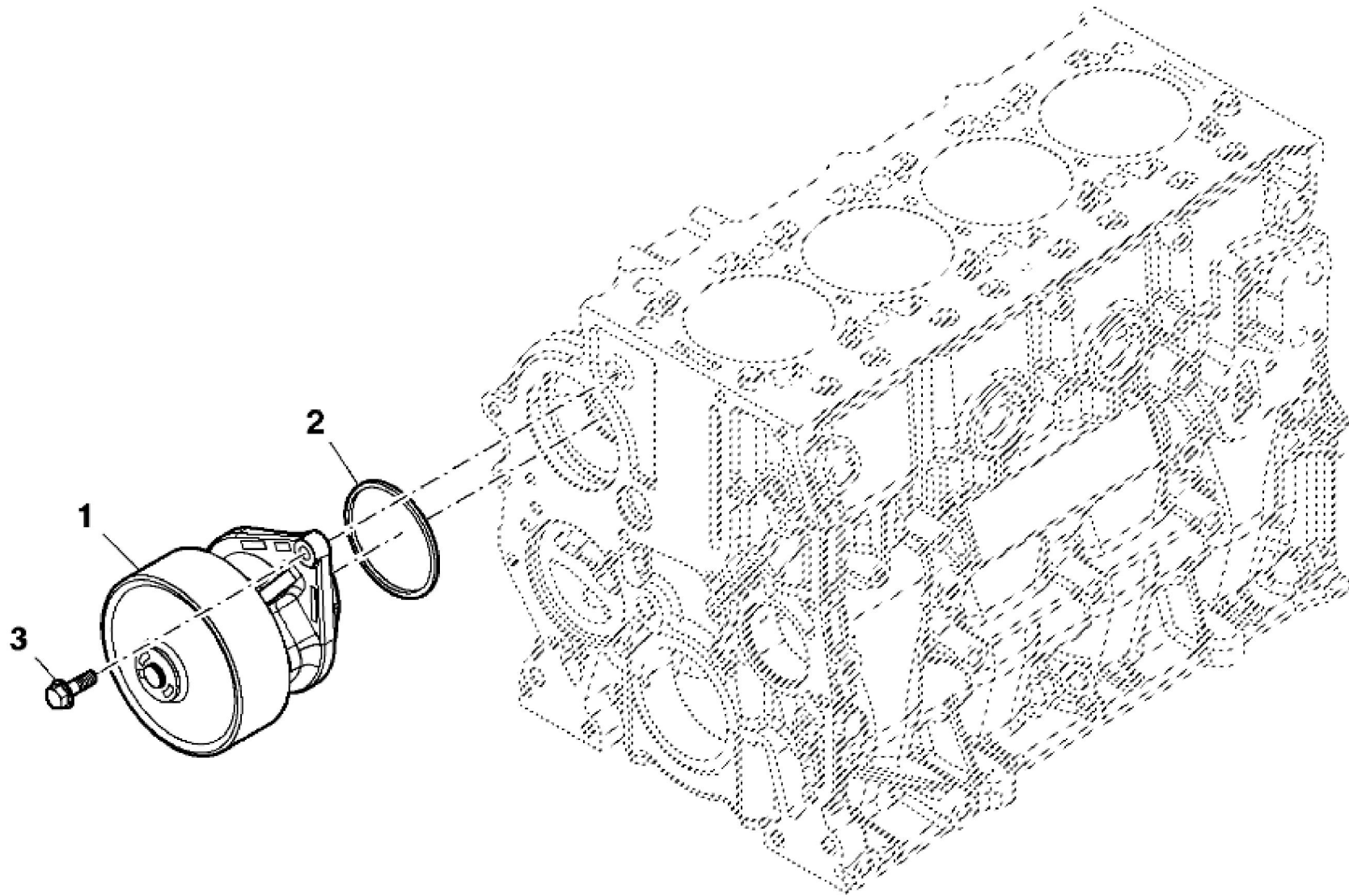
KEY	PART NO.	PART NAME	QTY	REMARKS	
1	ER0504260238	SUCTION HOSE	1		
2	ER0017282281	O-RING	1		
3	ER0016585625	BOLT	2	M6 X 12	

Thank you very much for your reading. Please Click Here. Then Get COMPLETE MANUAL. NO WAITING



NOTE:

If there is no response to click on the link above, please download the PDF document first and then click on it.



PY040232