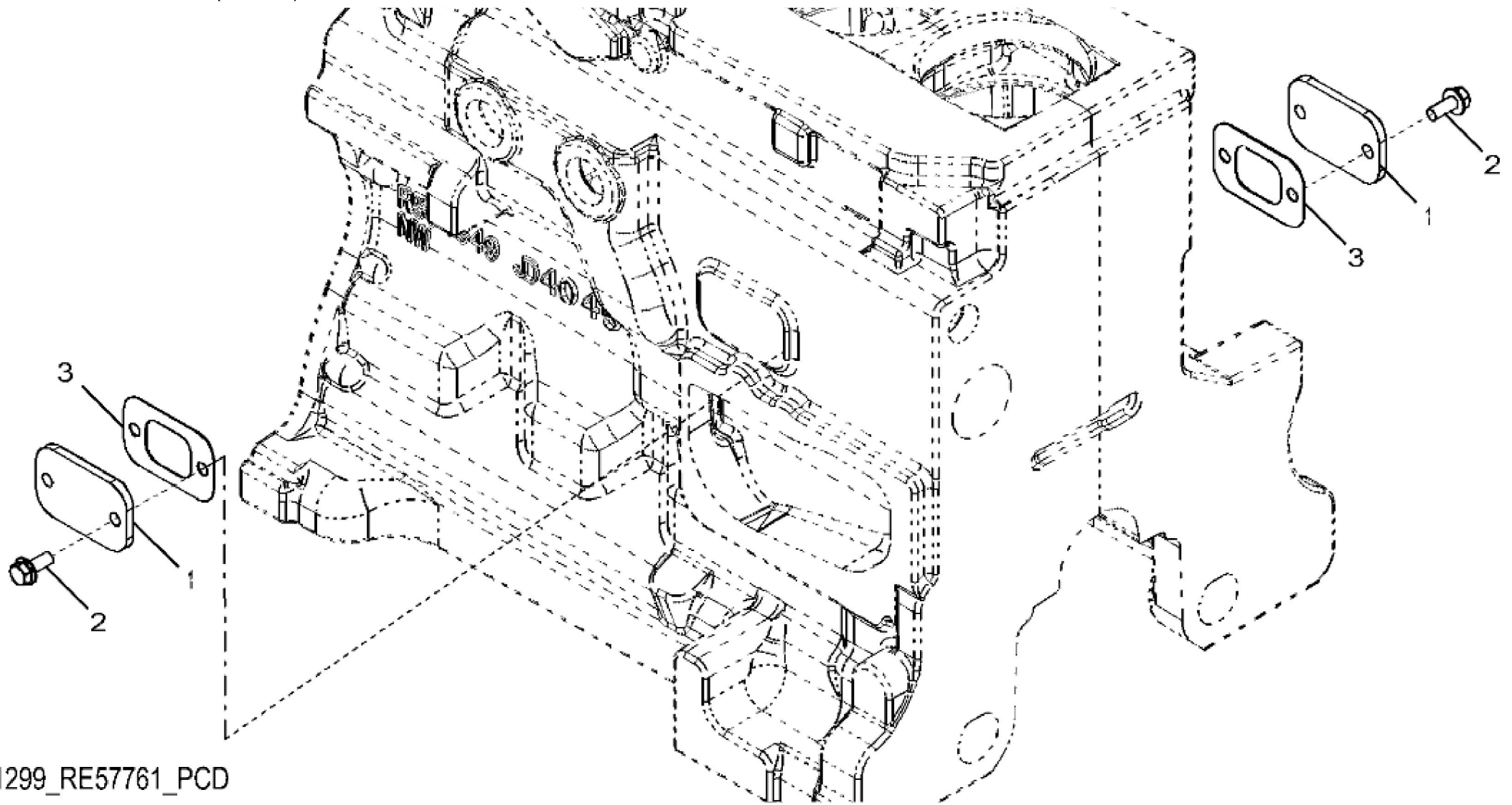


RE52999PC0802

John Deere > Turf And Utility > TRACTOR > 6170M - TRACTOR > 6170M Tractor (Europe Edition, Engine SN: 6068GXXXXXX)(Tier 2)(S.N. -860503) > 20 ENGINE 6068HL286-DD22382-ETN108063 > ST274912
- 1157 ROCKER ARM COVER

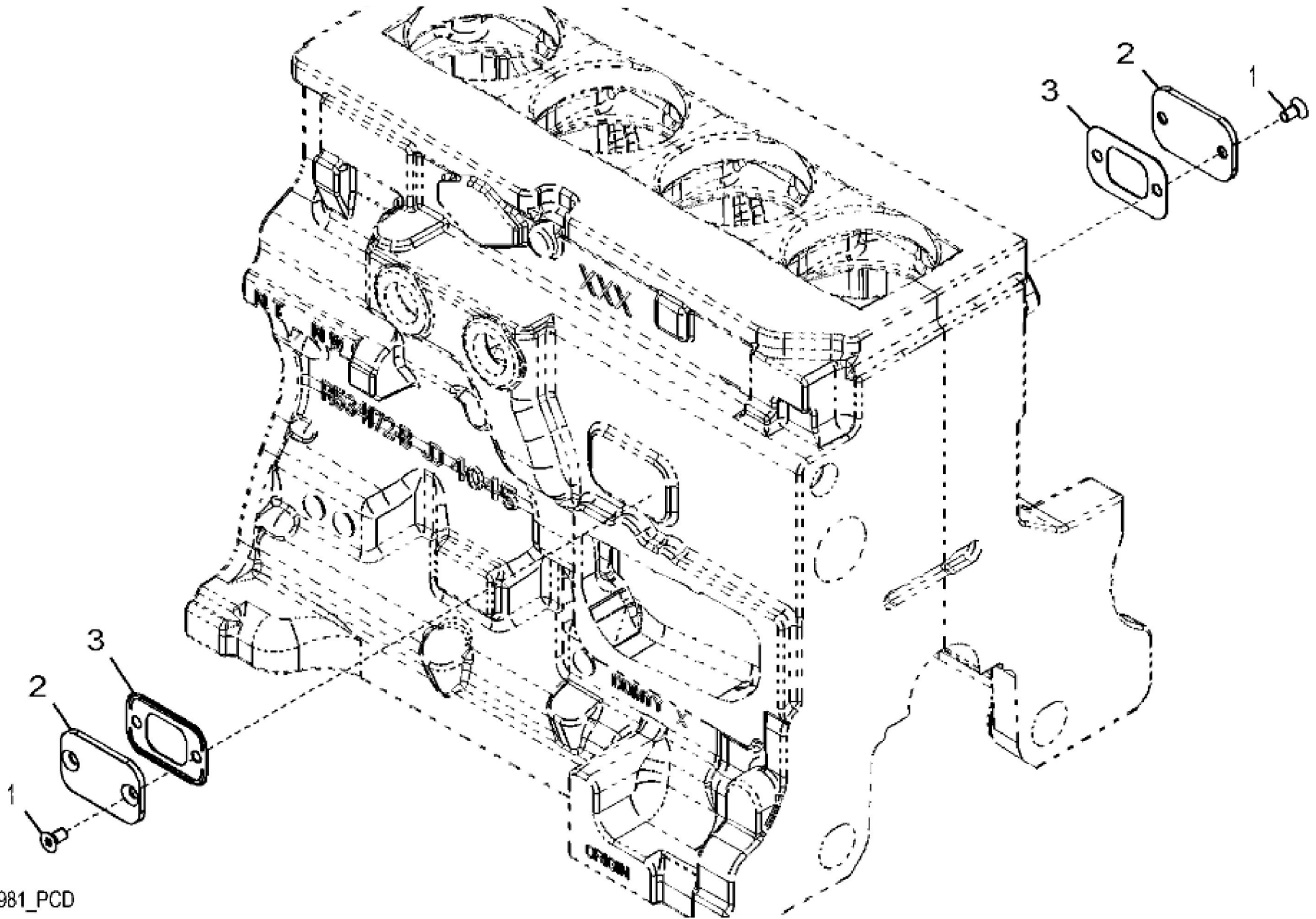
KEY	PART NO.	PART NAME	QTY	REMARKS	
1	RE527858	SCREW	3	M6 X 12	
2	R522410	HEAT SHIELD	1		
3	H23125	PLUG	6		
4	R123574	NUT	6		
5	R123575	O-RING	6		
6	R520731	VALVE COVER	1		
7	R524469	GASKET	1		
8	RE528742	DEFLECTOR	1		
9	19M7862	SCREW	1	M6 X 20	
..	R521401	MEDALLION	AR		



1299_RE57761_PCD

John Deere > Turf And Utility > TRACTOR > 6170M - TRACTOR > 6170M Tractor (Europe Edition, Engine SN: 6068GXXXXXX)(Tier 2)(S.N. -860503) > 20 ENGINE 6068HL286-DD22382-ETN108063 > ST852076
- 1299 OIL FILLER NECK COVER (- 155820)

KEY	PART NO.	PART NAME	QTY	REMARKS	
1	R116296	COVER	2		
2	RE67238	SCREW	4	(Threads With Pre-Applied Sealant) M8 X 20	
3	R136495	GASKET	2		

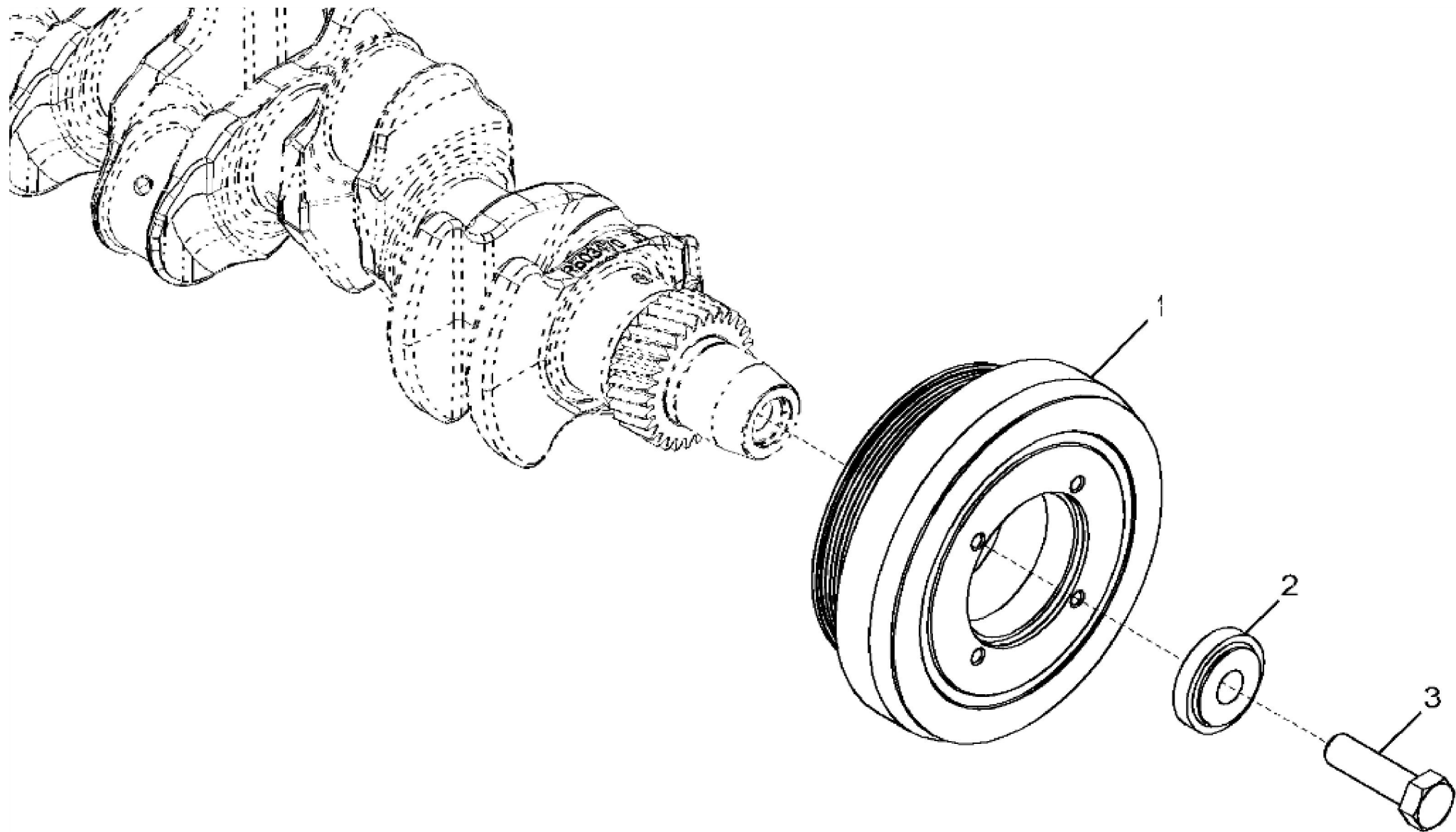


1279_ETN137981_PCD

John Deere > Turf And Utility > TRACTOR > 6170M - TRACTOR > 6170M Tractor (Europe Edition, Engine SN: 6068GXXXXXX)(Tier 2)(S.N. -860503) > 20 ENGINE 6068HL286-DD22382-ETN108063 > ST852078
- 1279 OIL FILLER NECK COVER (155842 -)

KEY	PART NO.	PART NAME	QTY	REMARKS	
1	RE70306	SCREW	4		
2	R135262	COVER	2		
3	R136495	GASKET	2		

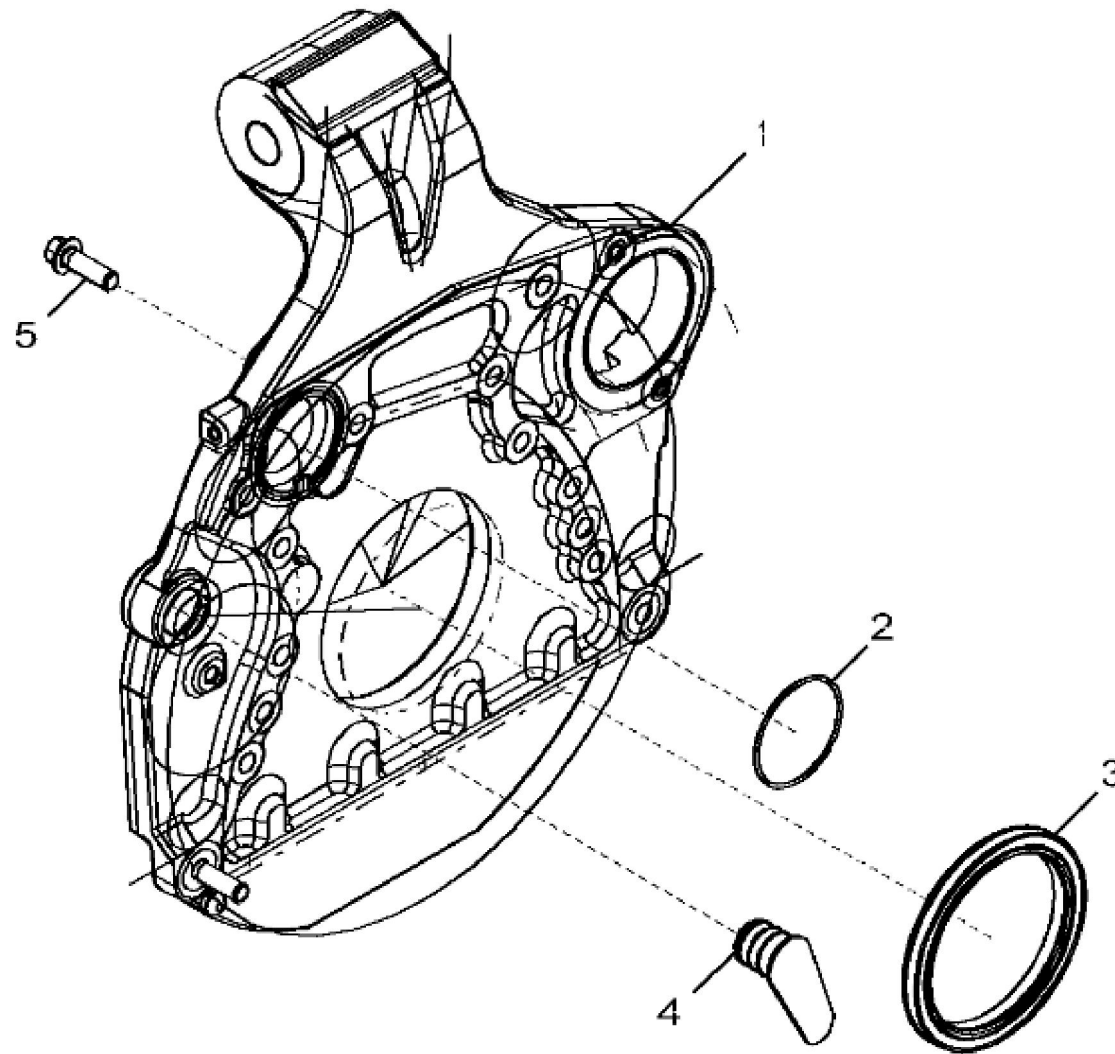
- 1341 CRANKSHAFT PULLEY



1341_RE537577_PCD

John Deere > Turf And Utility > TRACTOR > 6170M - TRACTOR > 6170M Tractor (Europe Edition, Engine SN: 6068GXXXXXX)(Tier 2)(S.N. -860503) > 20 ENGINE 6068HL286-DD22382-ETN108063 > ST275176
- 1341 CRANKSHAFT PULLEY

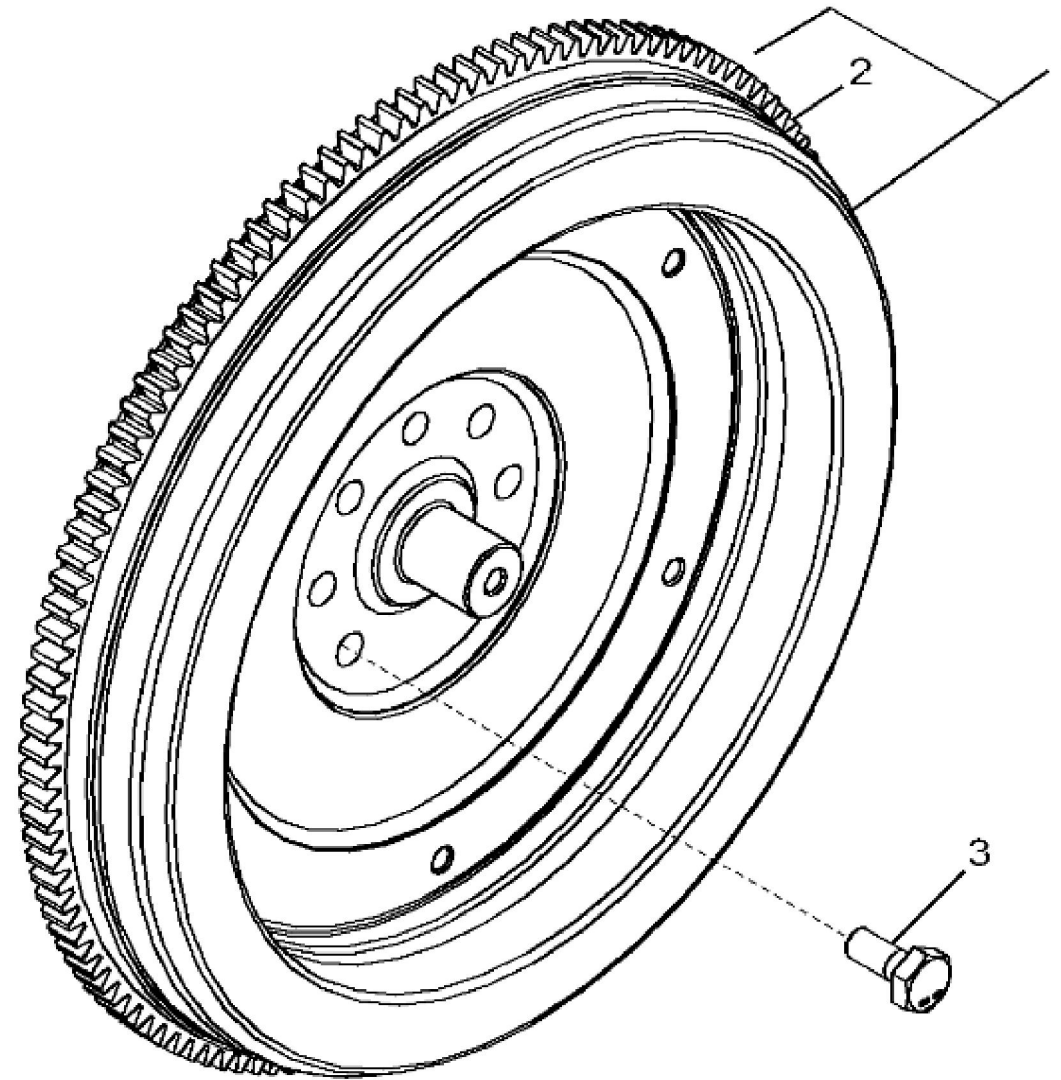
KEY	PART NO.	PART NAME	QTY	REMARKS	
1	DZ103168	PULLEY WITH DAMPENER	1	OD = 188 mm, SUB FOR RE537578	
2	R517237	BUSHING	1		
3	R516648	CAP SCREW	1	(One Time Usage)	



1484_RE542167_PCD

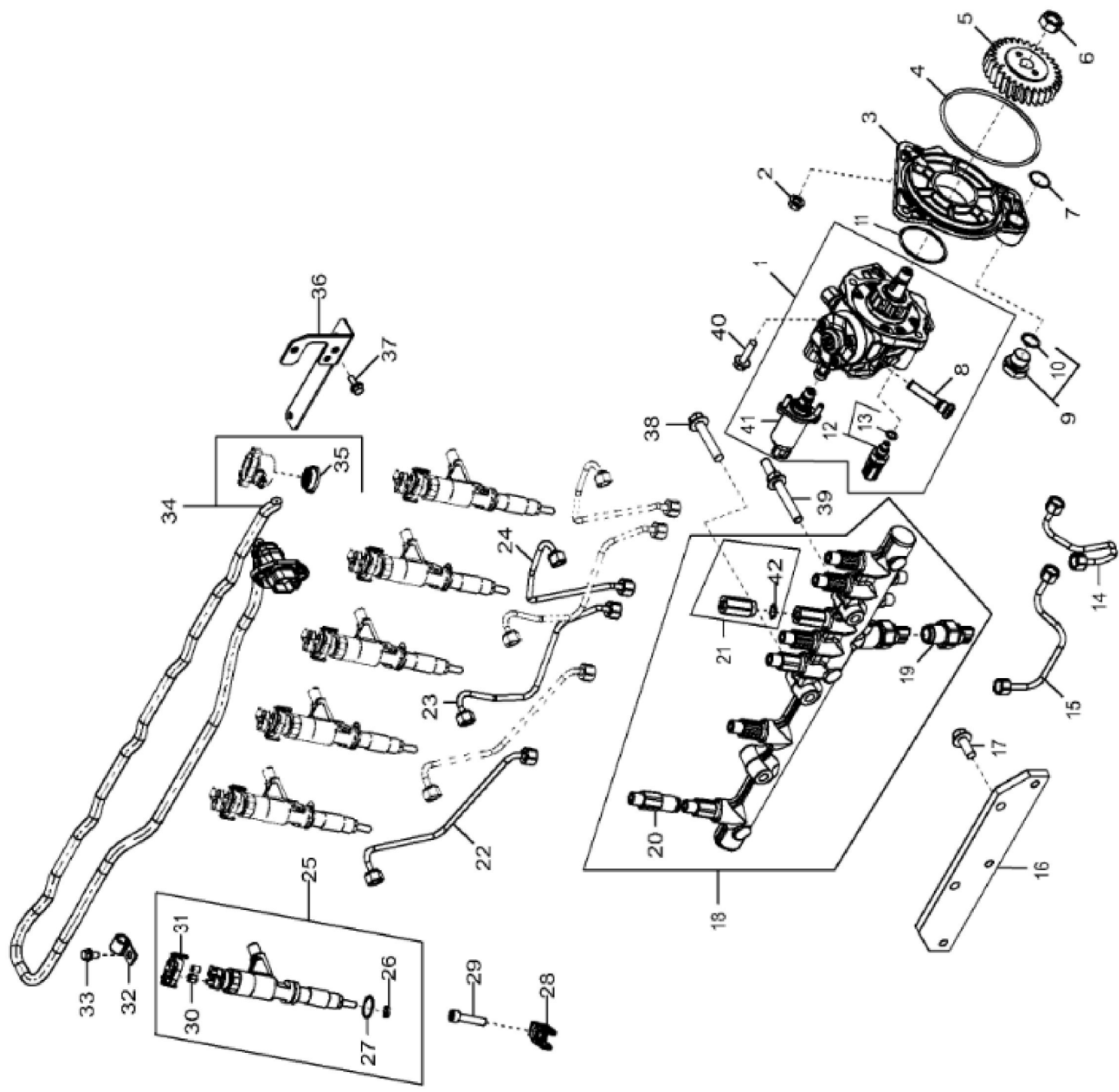
John Deere > Turf And Utility > TRACTOR > 6170M - TRACTOR > 6170M Tractor (Europe Edition, Engine SN: 6068GXXXXXX)(Tier 2)(S.N. -860503) > 20 ENGINE 6068HL286-DD22382-ETN108063 > ST330791
- 1484 FLYWHEEL HOUSING

KEY	PART NO.	PART NAME	QTY	REMARKS	
1	RE556604	HOUSING	1	SUB FOR RE542018	
2	R61467	O-RING	1	69.520 X 2.616 mm	
3	RE537070	SEAL	1		
4	R520982	PLUG	1		
5	R135918	BOLT	12	M12 X 38	



1593_RE526325_PCD

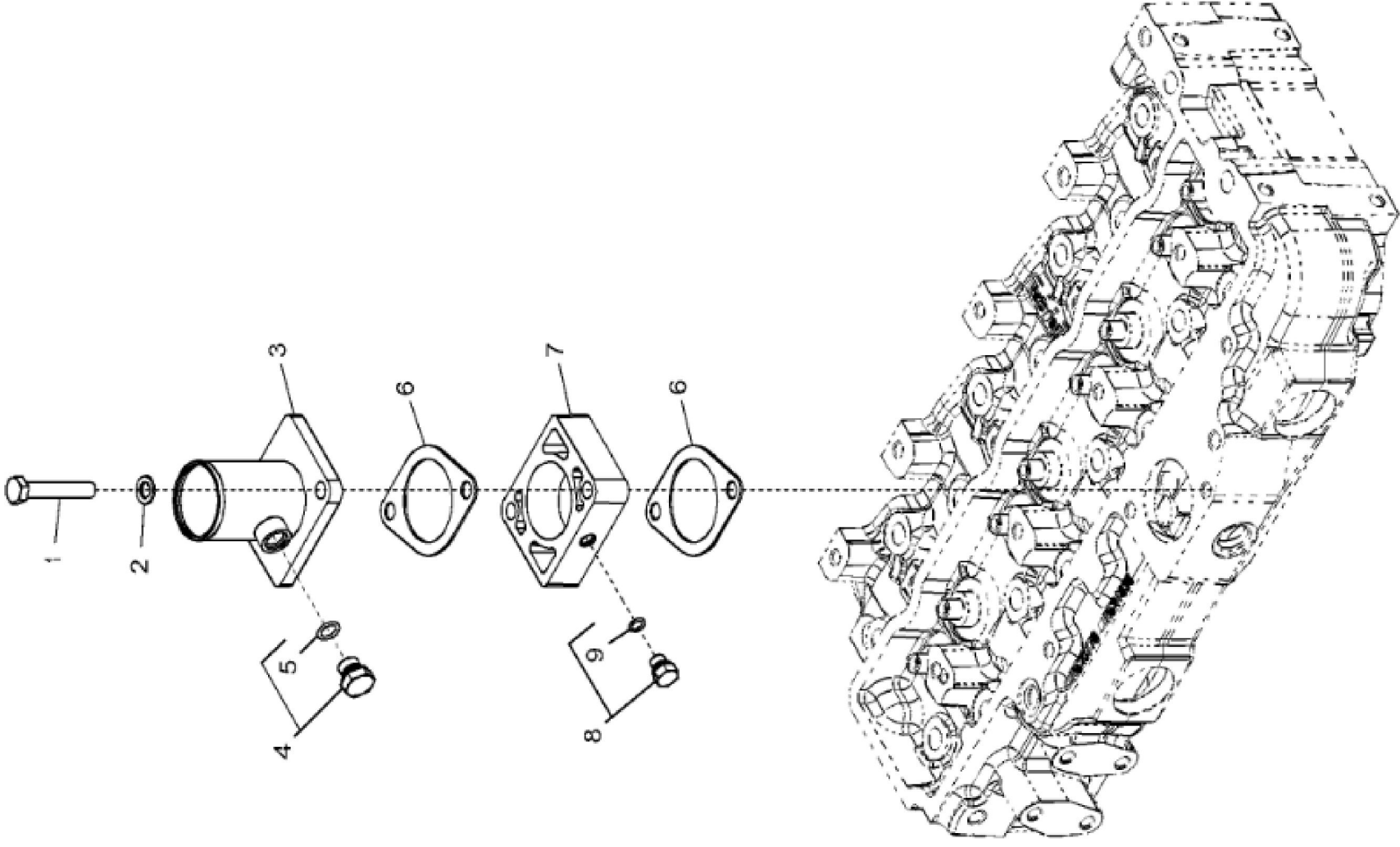
KEY	PART NO.	PART NAME	QTY	REMARKS	
1	RE526326	FLYWHEEL	1	MARKED R521313	
2	R28811	RING GEAR	1	Z = 129; ID = 385 mm	
3	R522205	CAP SCREW	6	(One Time Usage) M12 X 30	



- 16KV FUEL INJECTION PUMP

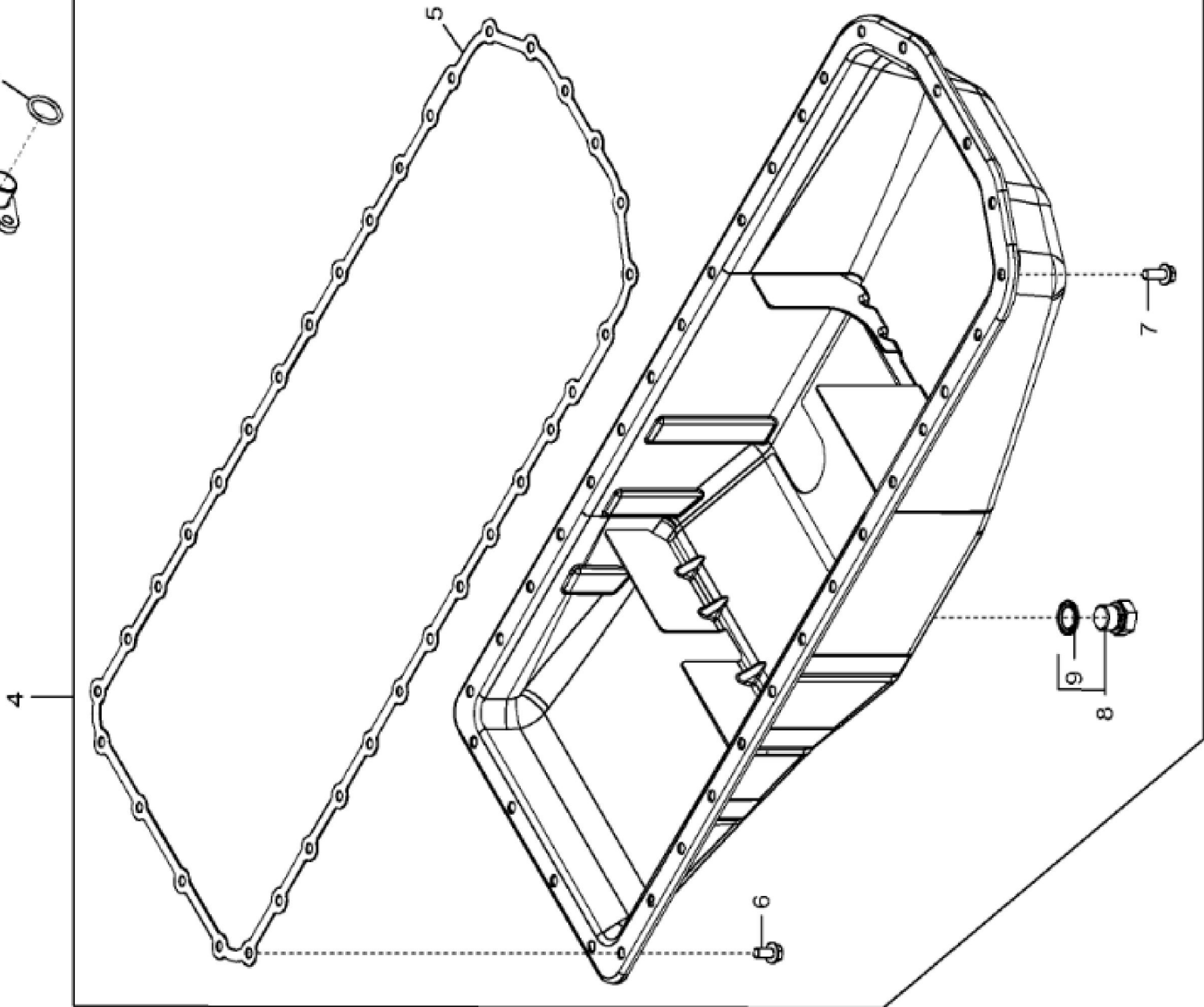
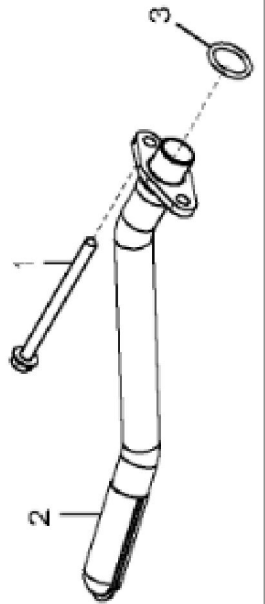
KEY	PART NO.	PART NAME	QTY	REMARKS
1	RE527528	FUEL INJECTION PUMP	1	ORDER RE507959
1	RE507959	FUEL INJECTION PUMP	1	
1	SE501915	FUEL INJECTION PUMP REMAN	1	REMAN FOR RE507959
1	SE501916	FUEL INJECTION PUMP REMAN	1	REMAN FOR RE527528
2	14M7298	FLANGE NUT	3	M8
3	R504577	ADAPTER FITTING	1	MARKED R504577
4	R55453	O-RING	1	
5	R502541	GEAR	1	
6	R91360	NUT	1	
7	R116031	O-RING	1	
8	RE516999	SCREEN	1	
9	RE517370	FITTING	1	
10	51M7044	O-RING	1	17.300 X 2.200 mm
11	R516125	O-RING	1	
12	RE516336	FUEL TEMPERATURE SENSOR	1	
13	R524234	O-RING	1	
14	RE544262	FUEL LINE	1	
15	RE544263	FUEL LINE	1	
16	R504239	BRACKET	1	
17	19M7785	SCREW	2	M10 X 25
18	RE522596	RAIL	1	
19	RE520930	SENSOR	1	(Fuel Rail Pressure Sensor)
20	RE515636	RESTRICTOR	6	
21	RE516335	PRESSURE RELIEF VALVE	1	
22	RE526694	FUEL LINE	2	
23	RE526693	FUEL LINE	2	
24	RE526692	FUEL LINE	2	
25	DZ100212	NOZZLE KIT	6	1000 cc, KIT; INCLUDES R522899; SUB FOR RE546784
25	SE501925	INJECTION NOZZLE REMAN	1	REMAN FOR RE546784
25	DZ100212	NOZZLE KIT	1	
26	R523499	WASHER	6	
27	R516647	O-RING	6	
28	R520813	CLAMP	6	
29	RE528096	SCREW WITH WASHER	6	

KEY	PART NO.	PART NAME	QTY	REMARKS
30	R134920	NUT	12	
31	RE528588	ELECTRICAL CONNECTOR CAP	6	
32	AH80916	CLIP	6	
33	RE527858	SCREW	7	
34	RE530106	WIRING HARNESS	1	
35	R522630	SEAL	1	
36	RE531219	BRACKET	1	
37	19M7775	SCREW	2	M6 X 16
38	19M8528	SCREW	1	M10 X 55
39	R529168	STUD	2	
40	19M7868	SCREW	2	M8 X 30
41	RE560091	CONTROL VALVE	1	USE WITH RE527528; SUB FOR RE534109
41	RE530337	CONTROL VALVE	1	USE WITH RE507959
42	R515454	SHIM	6	
43	R522899	SEALING WASHER	1	(Not Illustrated)

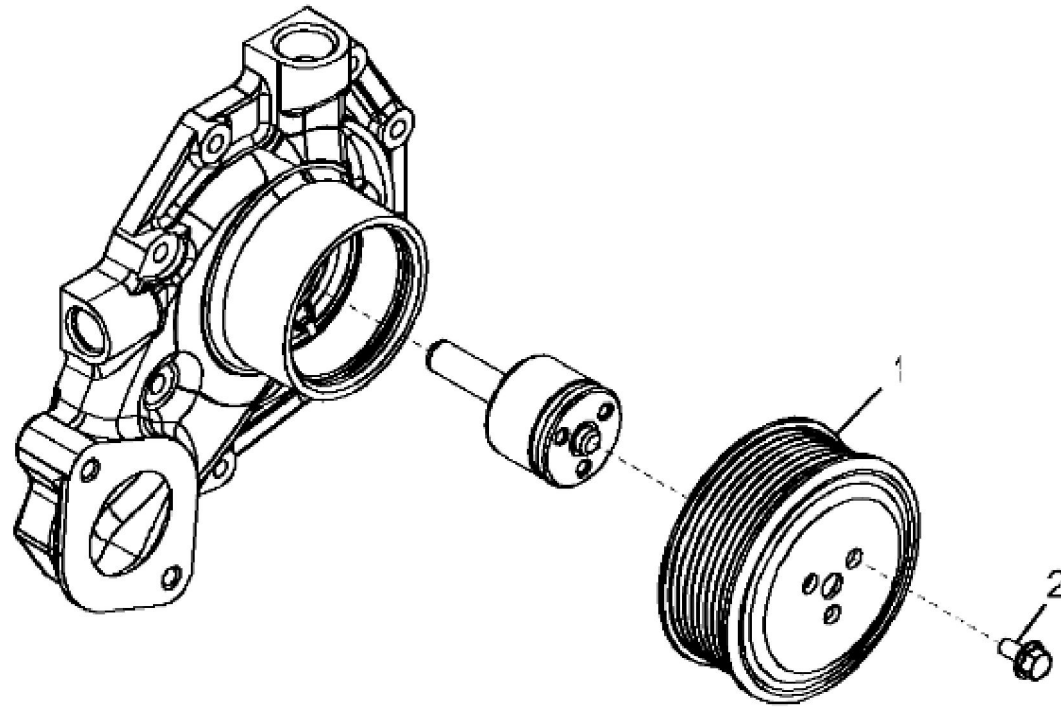


1783_RE509839_PCD

KEY	PART NO.	PART NAME	QTY	REMARKS	
1	19M7935	CAP SCREW	2	M10 X 55	
2	24M7096	WASHER	2	10.500 X 18 X 1.600 mm	
3	RE508742	AIR INTAKE	1		
4	RE46684	FITTING PLUG	1		
5	51M7041	O-RING	1	11.300 X 2.200 mm	
6	R81275	GASKET	2	SUB FOR APPL R133893	
7	R501472	SPACER	1		
8	RE60071	FITTING	1		
9	51M7039	O-RING	1	8.100 X 1.600 mm	



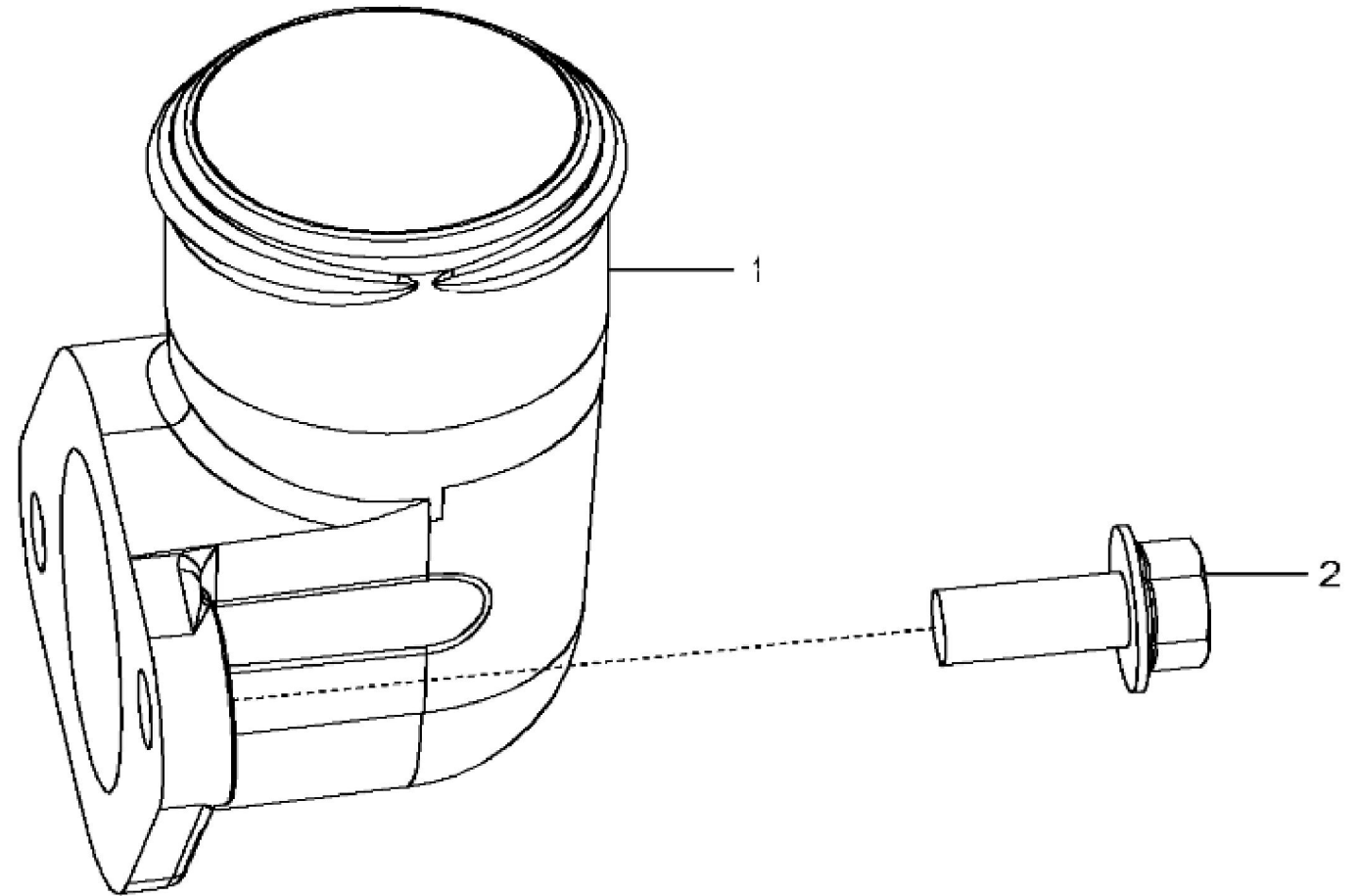
KEY	PART NO.	PART NAME	QTY	REMARKS	
1	19M10075	SCREW	2	M8 X 110	
2	RE71143	OIL PUMP INTAKE	1		
3	R61871	O-RING	1		
4	RE545881	OIL PAN	1	SUB FOR RE525238 OR RE528734	
5	R521498	GASKET	1		
6	19M8163	BOLT	30	M8 X 16	
7	19M8062	SCREW	6	M8 X 20	
8	RE523251	FITTING PLUG	1		
9	R519742	SEAL	1		



2001_RE58175_PCD

John Deere > Turf And Utility > TRACTOR > 6170M - TRACTOR > 6170M Tractor (Europe Edition, Engine SN: 6068GXXXXXX)(Tier 2)(S.N. -860503) > 20 ENGINE 6068HL286-DD22382-ETN108063 > ST35375 - 2001 WATER PUMP PULLEY

KEY	PART NO.	PART NAME	QTY	REMARKS	
1	R115250	PULLEY	1		
2	19M7774	SCREW	3	M6 X 12	



2160_RE531434_PCD

John Deere > Turf And Utility > TRACTOR > 6170M - TRACTOR > 6170M Tractor (Europe Edition, Engine SN: 6068GXXXXXX)(Tier 2)(S.N. -860503) > 20 ENGINE 6068HL286-DD22382-ETN108063 > ST711859
- 2160 THERMOSTAT COVER

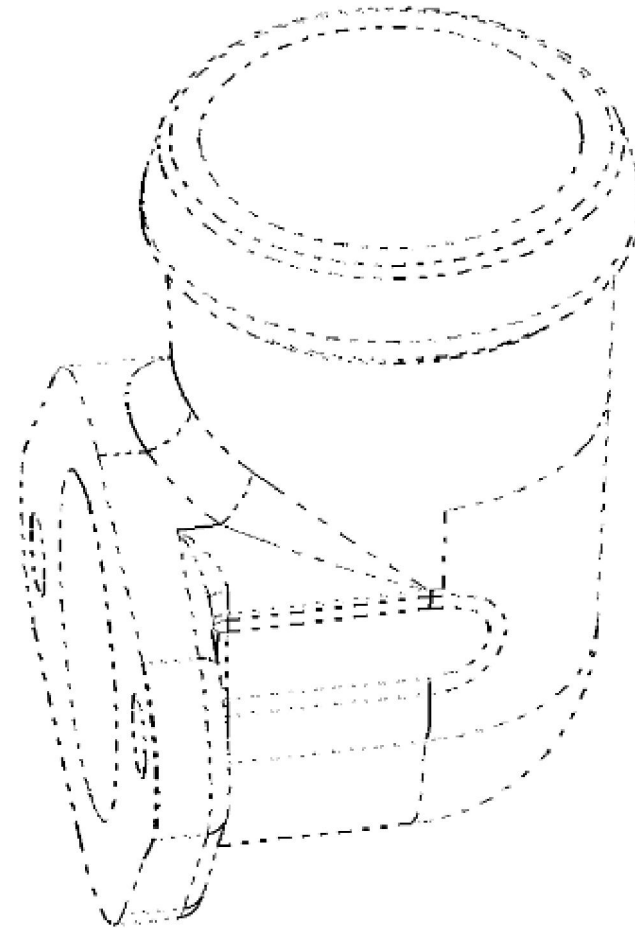
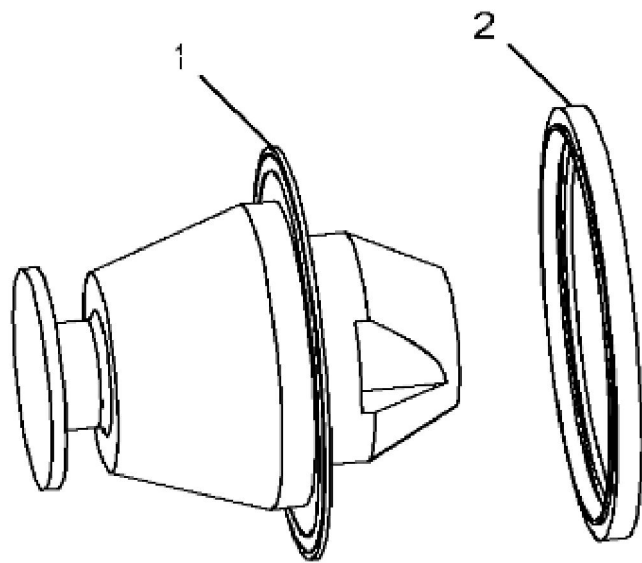
KEY	PART NO.	PART NAME	QTY	REMARKS	
1	R524712	HOUSING	1	ORDER R530428	
1	R530428	HOUSING	1		
2	19M7785	SCREW	2	M10 X 25	

Thank you very much for your reading. Please Click Here. Then Get COMPLETE MANUAL. NO WAITING



NOTE:

If there is no response to click on the link above, please download the PDF document first and then click on it.



2219_RE531435_PCD