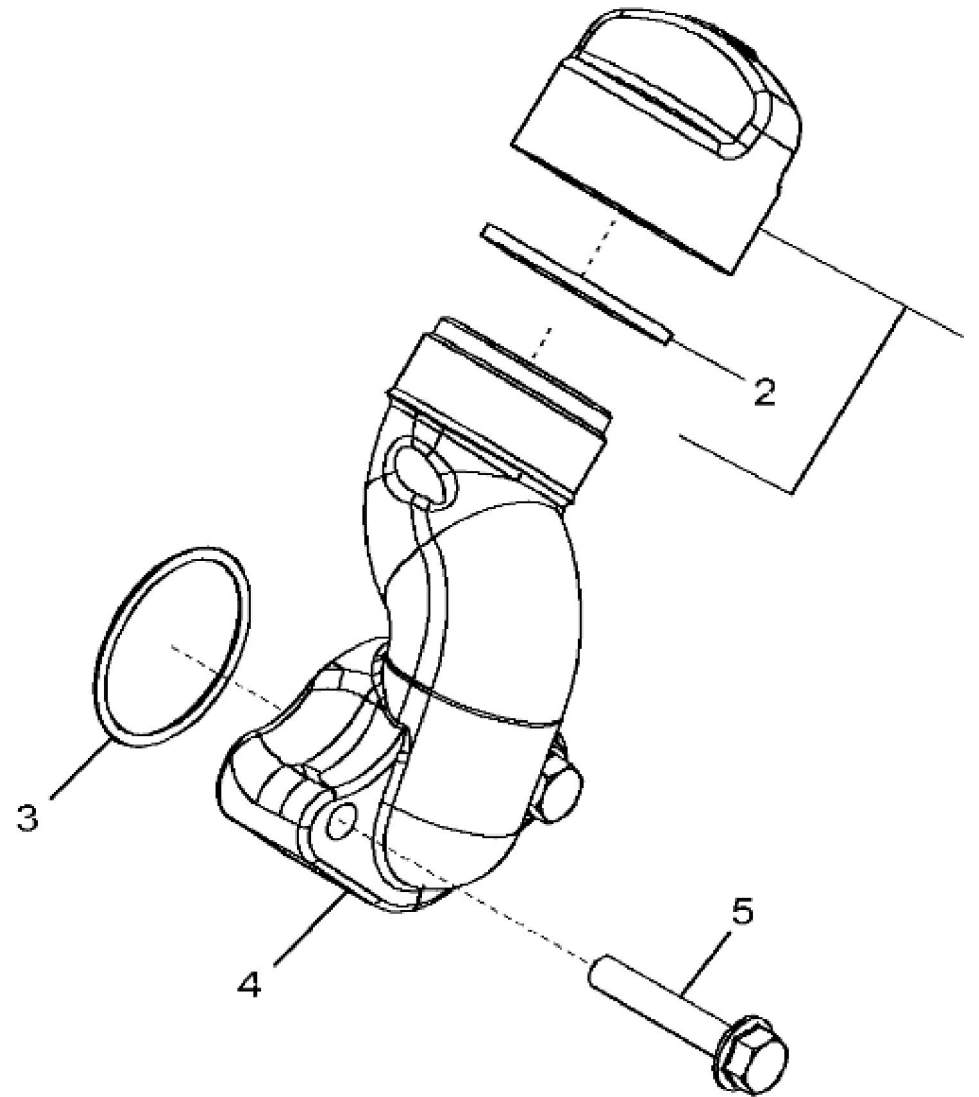


1174_RES39965_PCD

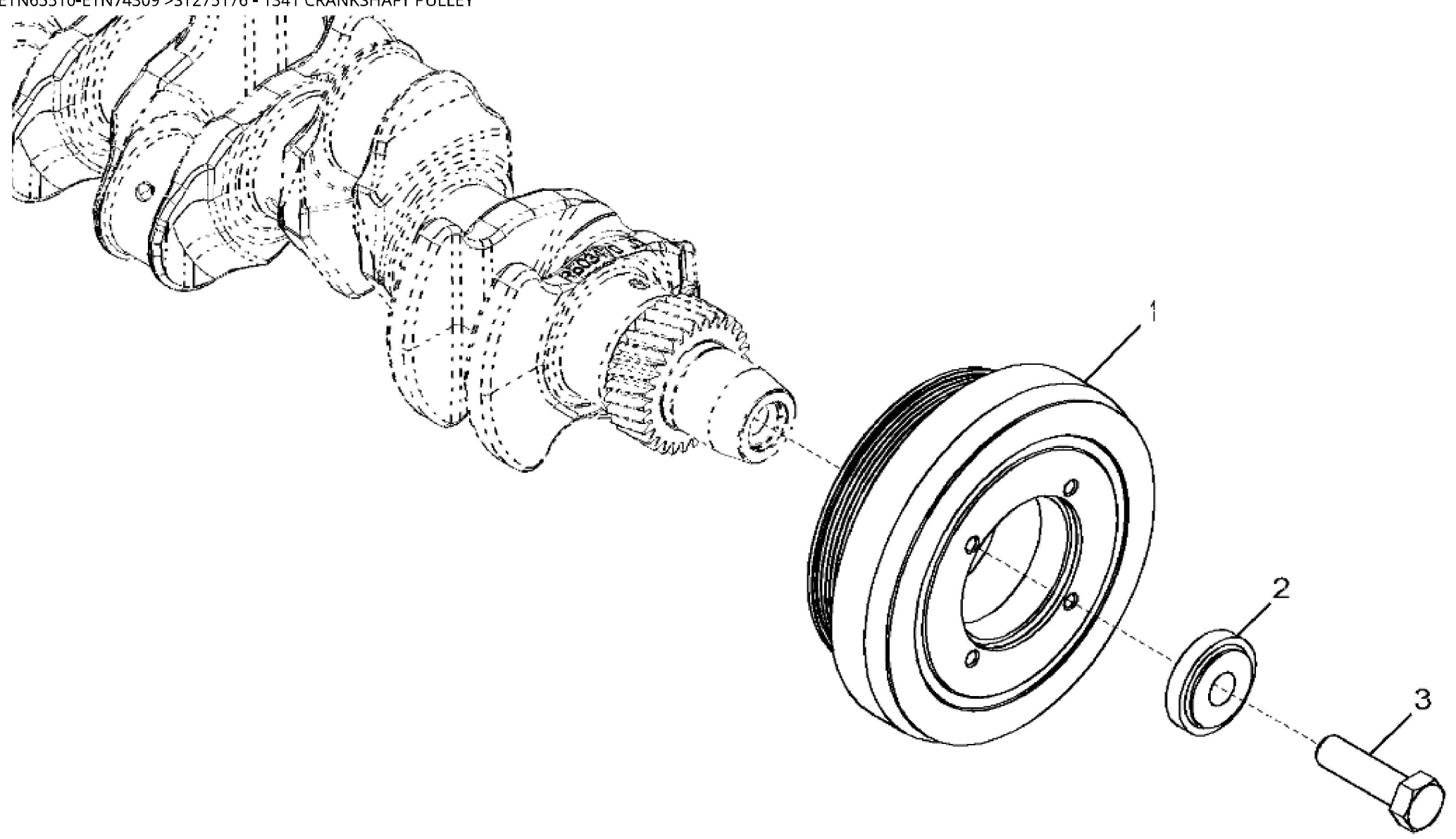
KEY	PART NO.	PART NAME	QTY	REMARKS
1	RE555026	VALVE COVER	1	MARKED R537224; ALSO ORDER TY22462, R536108 AND R534105; SUB FOR R529152
2	RE542918	VALVE	1	
3	19M7867	SCREW	15	M8 X 25
4	R534105	DEFLECTOR	1	USE WITH RE555026
4	R528408	DEFLECTOR	1	USE WITH R529152
5	19M7775	SCREW	2	M6 X 16
6	R528743	GASKET	1	
7	R532038	VALVE	1	USE WITH R529152
8	R536108	HOSE	1	ORDER DZ10571
8	DZ10571	HOSE	1	
9	TY22462	CLAMP	1	



1245_RE540562_PCD

John Deere > Turf And Utility > TRACTOR > 6170M - TRACTOR > 6170M Tractor (North America Edition, Engine SN: 6068RXXXXXX)(Interim Tier 4) > 20 ENGINE 6068HL490-DD22146-ETN65508-ETN68088-ETN65510-ETN74309 > ST330703 - 1245 OIL FILLER NECK

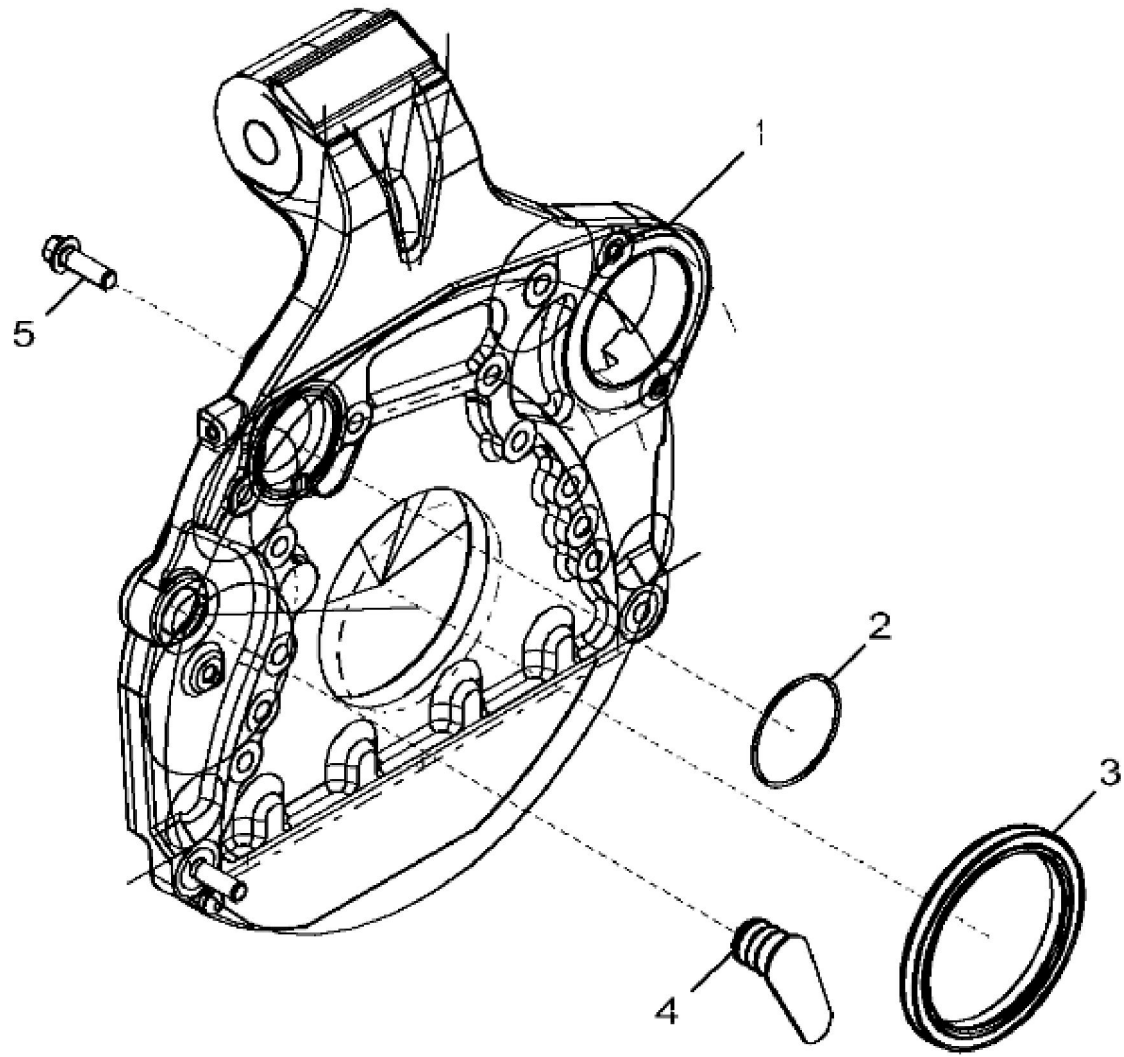
KEY	PART NO.	PART NAME	QTY	REMARKS	
1	RE529554	FILLER CAP	1		
2	R80135	GASKET	1		
3	R528344	O-RING	1	44.120 X 2.616 mm	
4	R529447	FILLER NECK	1		
5	19M7799	SCREW	2	M8 X 45, SUB FOR APPL 19M7798	



1341_RE537577_PCD

John Deere > Turf And Utility > TRACTOR > 6170M - TRACTOR > 6170M Tractor (North America Edition, Engine SN: 6068RXXXXXX)(Interim Tier 4) > 20 ENGINE 6068HL490-DD22146-ETN65508-ETN68088-ETN65510-ETN74309 > ST275176 - 1341 CRANKSHAFT PULLEY

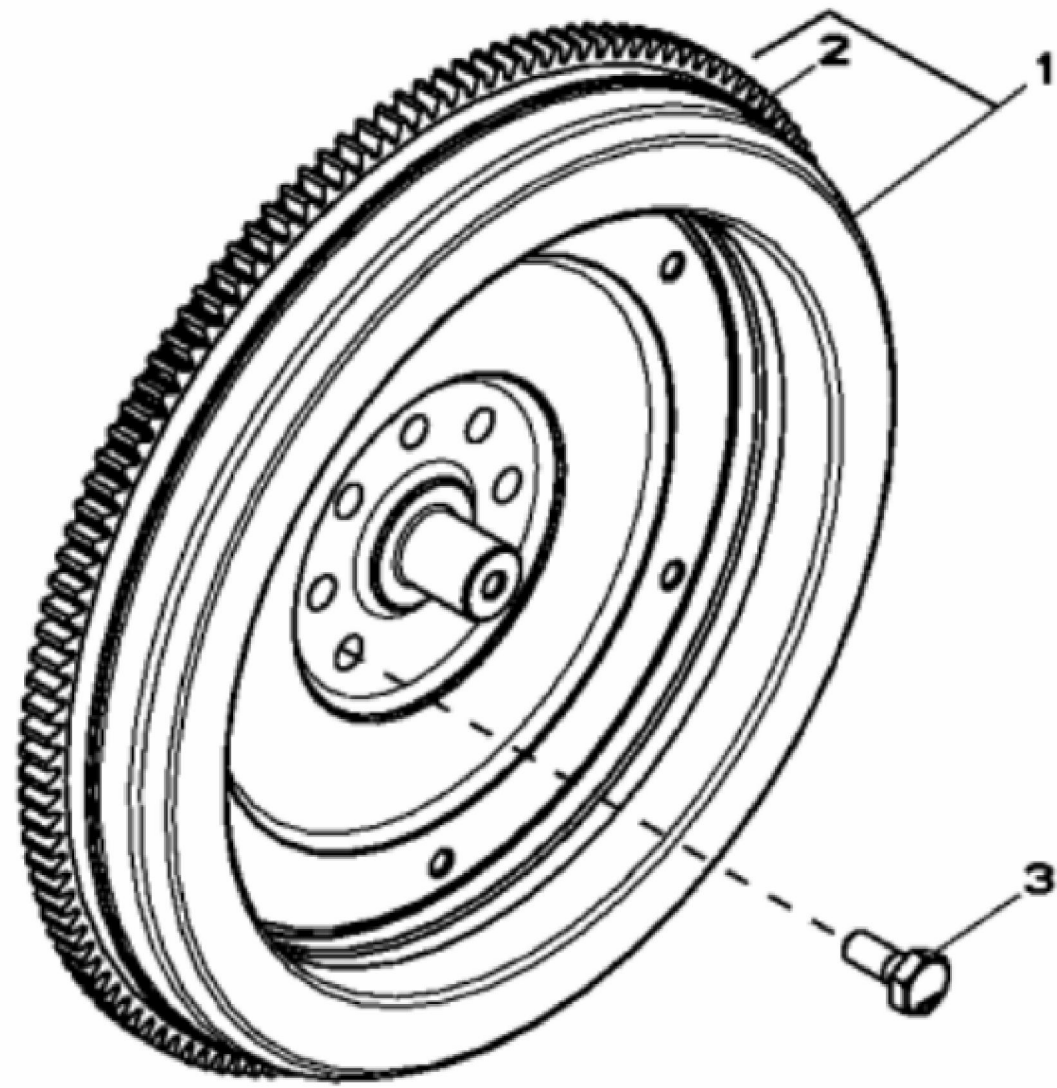
KEY	PART NO.	PART NAME	QTY	REMARKS	
1	DZ103168	PULLEY WITH DAMPENER	1	OD = 188 mm, SUB FOR RE537578	
2	R517237	BUSHING	1		
3	R516648	CAP SCREW	1	(One Time Usage)	



1484_RE542167_PCD

John Deere > Turf And Utility >TRACTOR >6170M - TRACTOR >6170M Tractor (North America Edition, Engine SN: 6068RXXXXXX)(Interim Tier 4) >20 ENGINE 6068HL490-DD22146-ETN65508-ETN68088-ETN65510-ETN74309 >ST330791 - 1484 FLYWHEEL HOUSING

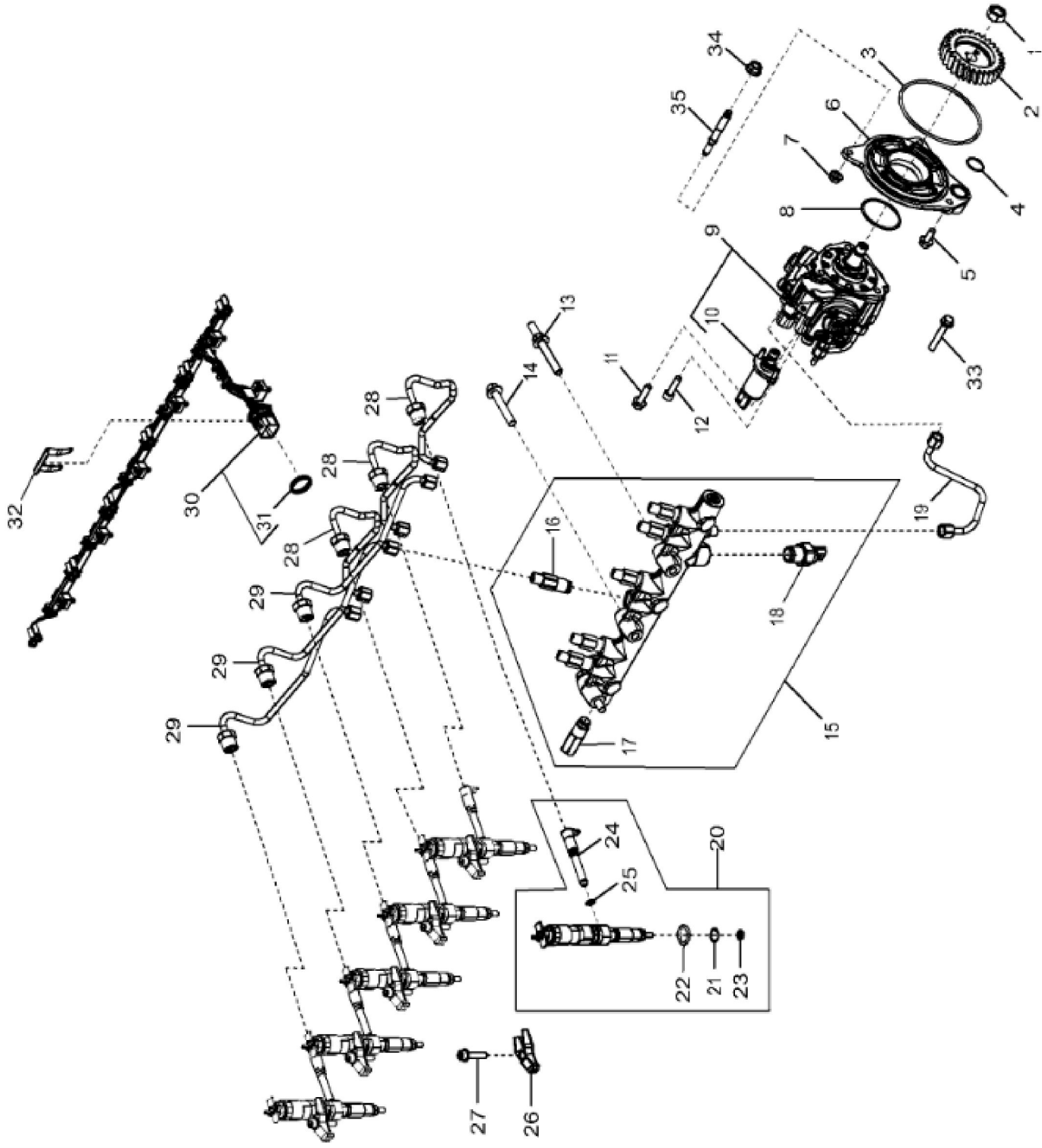
KEY	PART NO.	PART NAME	QTY	REMARKS	
1	RE556604	HOUSING	1	SUB FOR RE542018	
2	R61467	O-RING	1	69.520 X 2.616 mm	
3	RE537070	SEAL	1		
4	R520982	PLUG	1		
5	R135918	BOLT	12	M12 X 38	



RE526325PCDB01

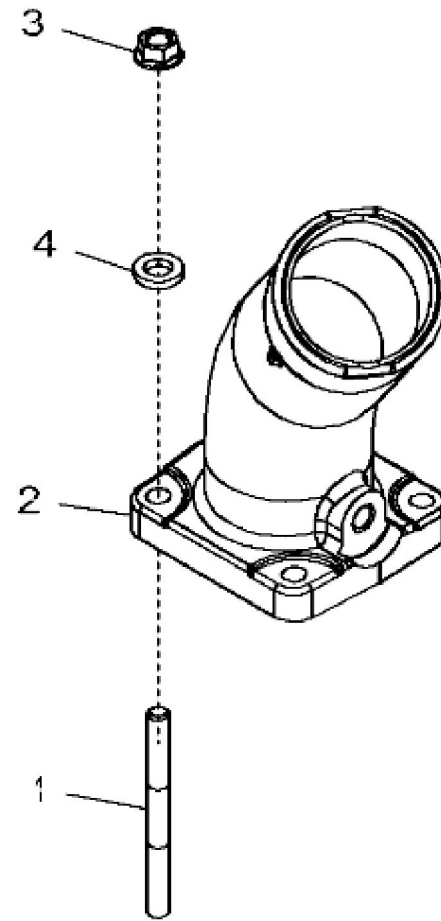
John Deere > Turf And Utility > TRACTOR > 6170M - TRACTOR > 6170M Tractor (North America Edition, Engine SN: 6068RXXXXXX)(Interim Tier 4) > 20 ENGINE 6068HL490-DD22146-ETN65508-ETN68088-ETN65510-ETN74309 > ST275286 - 1593 FLYWHEEL

KEY	PART NO.	PART NAME	QTY	REMARKS	
1	RE526326	FLYWHEEL	1		
2	R28811	RING GEAR	1	ID= 385MM, Z= 129	
3	R522205	CAP SCREW	6	M12 X 30	



KEY	PART NO.	PART NAME	QTY	REMARKS
1	R91360	NUT	1	
2	R526013	HELICAL GEAR	1	
3	R55453	O-RING	1	
4	R116031	O-RING	1	
5	RE67238	SCREW	1	
6	R525970	ADAPTER	1	
7	14M7298	FLANGE NUT	2	M8
8	R516125	O-RING	1	
9	RE543262	FUEL PUMP	1	
9	SE502553	FUEL INJECTION PUMP REMAN	1	REMAN FOR RE543262
10	RE536278	CONTROL VALVE	1	
11	19M7868	SCREW	2	M8 X 30
12	19M8024	SCREW	1	M8 X 30
13	R529168	STUD	1	
14	19M7807	SCREW	2	M10 X 60
15	RE538921	RAIL	1	
16	RE536276	ADAPTER FITTING	6	
17	RE536274	PRESSURE RELIEF VALVE	1	
18	RE536275	SENSOR	1	
19	RE539664	FUEL LINE	1	
20	RE545562	INJECTION NOZZLE	6	HHG INJECTOR
20	SE502671	INJECTION NOZZLE REMAN	1	REMAN FOR RE545562
21	R74354	O-RING	6	
22	R505452	O-RING	6	
23	R131051	WASHER	6	
24	RE536920	TUBE	6	
25	R63548	O-RING	6	
26	R522417	CLAMP	6	
27	RE528096	SCREW WITH WASHER	6	
28	RE545330	FUEL LINE	3	
29	RE545331	FUEL LINE	3	
30	RE558116	WIRING HARNESS	1	SUB FOR RE539710
31	R529072	SEALING RING	1	
32	R528718	CLIP	1	

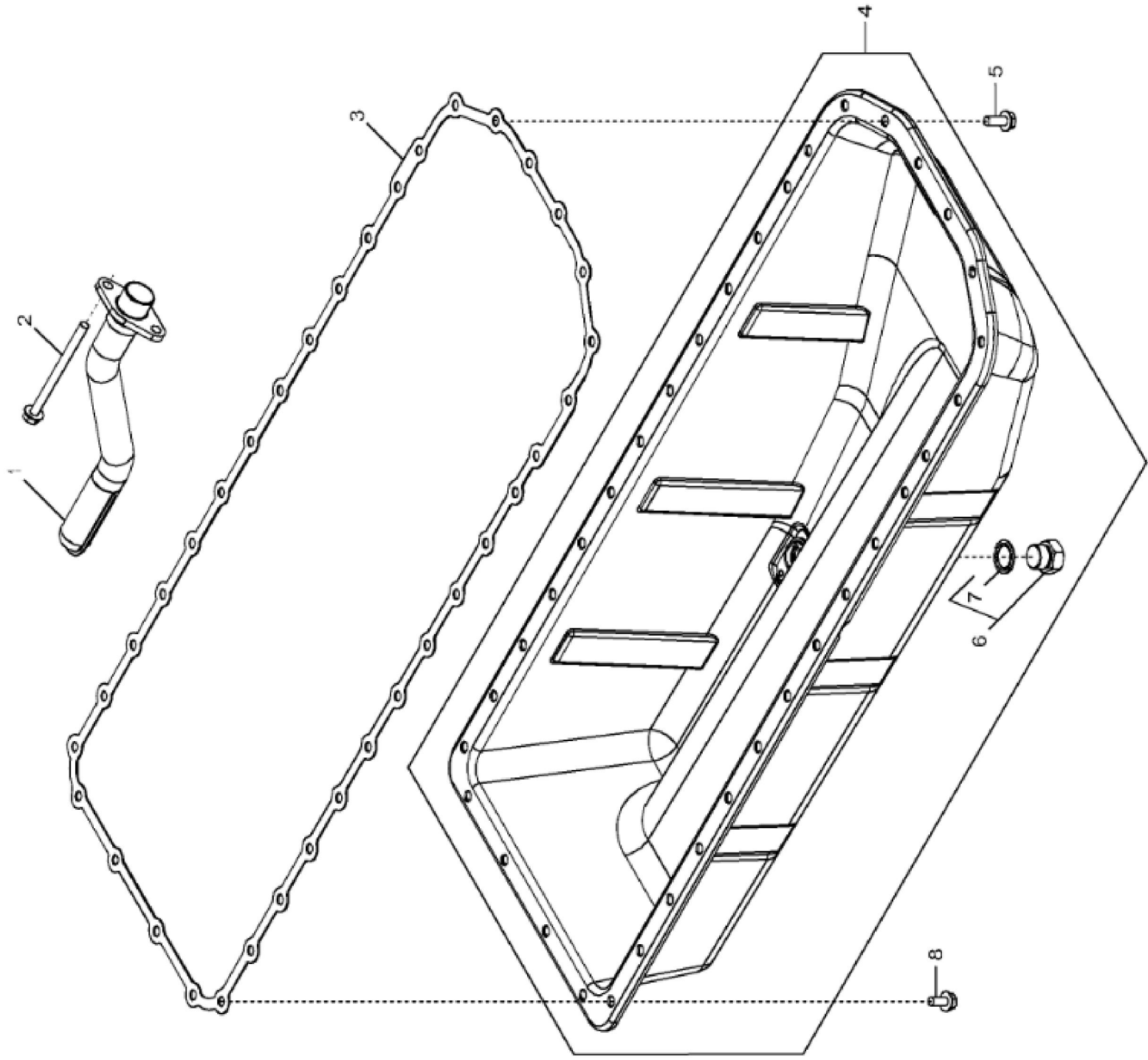
KEY	PART NO.	PART NAME	QTY	REMARKS	
33	19M7800	SCREW	3	M8 X 50	
34	14M7296	FLANGE NUT	2	M10	
35	R520139	STUD	2		



17DQ_RE540563_PCD

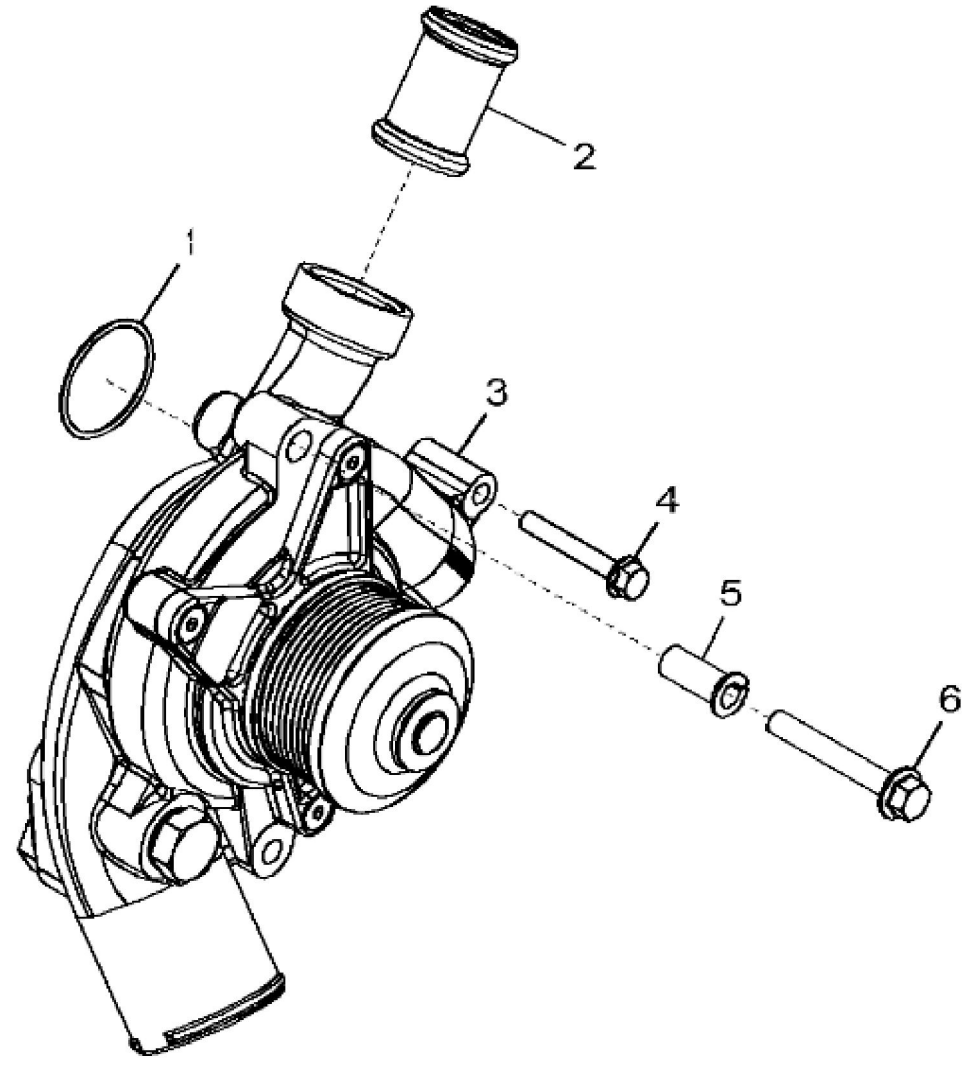
John Deere > Turf And Utility > TRACTOR > 6170M - TRACTOR > 6170M Tractor (North America Edition, Engine SN: 6068RXXXXXX)(Interim Tier 4) > 20 ENGINE 6068HL490-DD22146-ETN65508-ETN68088-ETN65510-ETN74309 > ST330884 - 17DQ AIR INTAKE

KEY	PART NO.	PART NAME	QTY	REMARKS	
1	42M7015	STUD	4		
2	R529449	AIR INTAKE	1		
3	14M7298	FLANGE NUT	4	M8	
4	24M7106	WASHER	2	10 X 18 X 2.500 mm	



John Deere > Turf And Utility > TRACTOR > 6170M - TRACTOR > 6170M Tractor (North America Edition, Engine SN: 6068RXXXXXX)(Interim Tier 4) > 20 ENGINE 6068HL490-DD22146-ETN65508-ETN68088-ETN65510-ETN74309 > ST330886 - 19CJ OIL PAN

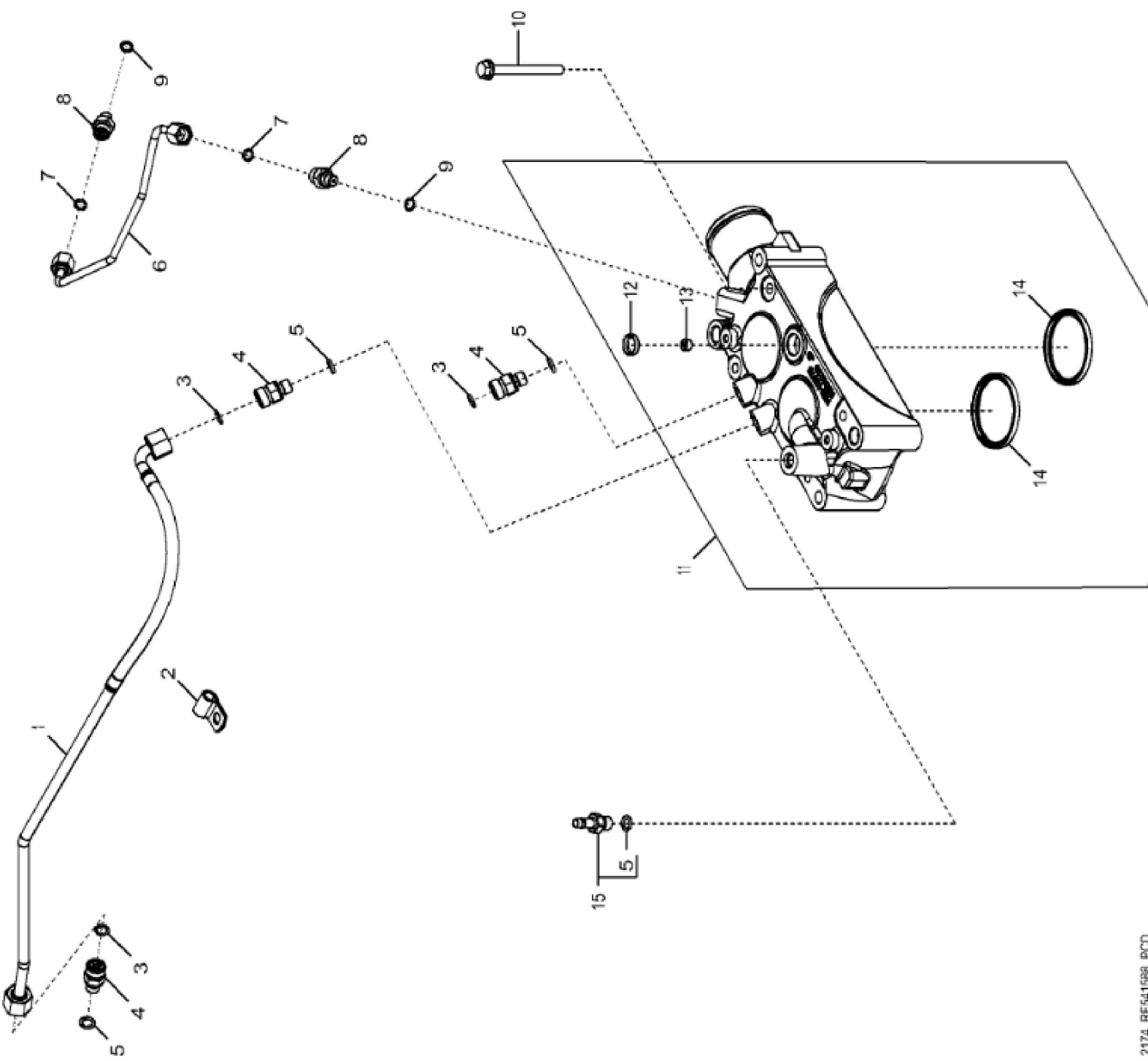
KEY	PART NO.	PART NAME	QTY	REMARKS	
1	RE540286	OIL PUMP INTAKE	1		
2	19M10075	SCREW	2	M8 X 110	
3	R521498	GASKET	1		
4	RE540285	OIL PAN	1		
5	19M8062	SCREW	6	M8 X 20	
6	RE523251	FITTING PLUG	1		
7	R519742	SEAL	1		
8	19M8163	BOLT	30	M8 X 16	



2051_RE540184_PCD

John Deere > Turf And Utility > TRACTOR > 6170M - TRACTOR > 6170M Tractor (North America Edition, Engine SN: 6068RXXXXXX)(Interim Tier 4) > 20 ENGINE 6068HL490-DD22146-ETN65508-ETN68088-ETN65510-ETN74309 > ST330887 - 2051 WATER PUMP

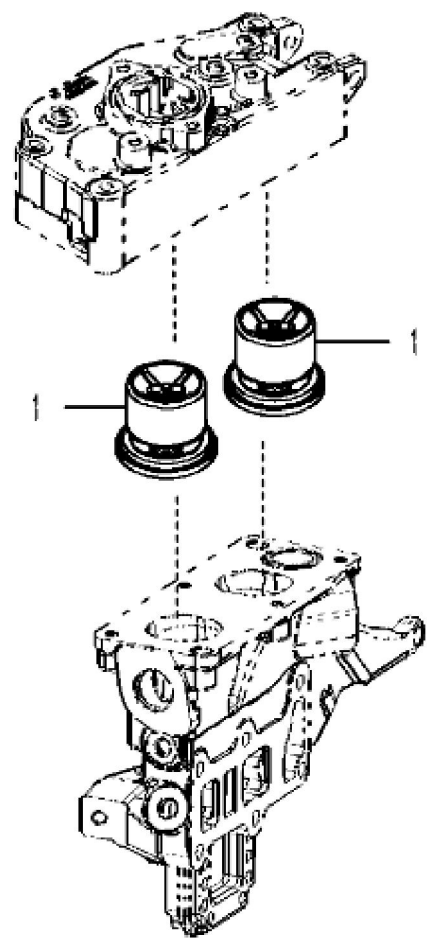
KEY	PART NO.	PART NAME	QTY	REMARKS	
1	R529665	O-RING	1	47.295 X 2.616 mm	
2	R528313	TUBE	1		
3	RE539092	WATER PUMP	1		
3	SE502729	WATER PUMP REMAN	1	REMAN FOR RE539092	
4	19M7979	SCREW	1	M8 X 55	
5	R526582	BUSHING	1		
6	19M8114	SCREW	3	M10 X 70	



2174_RE541688_PCD

John Deere > Turf And Utility >TRACTOR >6170M - TRACTOR >6170M Tractor (North America Edition, Engine SN: 6068RXXXXXX)(Interim Tier 4) >20 ENGINE 6068HL490-DD22146-ETN65508-ETN68088-ETN65510-ETN74309 >ST261980 - 2174 THERMOSTAT COVER

KEY	PART NO.	PART NAME	QTY	REMARKS
1	RE544336	LINE	1	
2	AH76882	CLIP	1	
3	T77613	O-RING	3	
4	38H5008	ADAPTER FITTING	3	
5	51M7040	O-RING	3	9.300 X 2.200 mm
6	RE542626	LINE	1	
7	T77814	O-RING	2	
8	38H5174	ADAPTER FITTING	2	
9	51M7039	O-RING	2	8.100 X 1.600 mm
10	19M8039	SCREW	4	M8 X 80
11	RE563647	COVER	1	SUB FOR RE542575
12	30M7024	PLUG	1	
13	R529265	ORIFICE	1	
14	R529398	SEAL	2	
15	AT323961	ADAPTER FITTING	1	INCLUDES 51M7040



2221_RE540498_PCD

John Deere > Turf And Utility > TRACTOR > 6170M - TRACTOR > 6170M Tractor (North America Edition, Engine SN: 6068RXXXXXX)(Interim Tier 4) > 20 ENGINE 6068HL490-DD22146-ETN65508-ETN68088-ETN65510-ETN74309 > ST197147 - 2221 THERMOSTAT

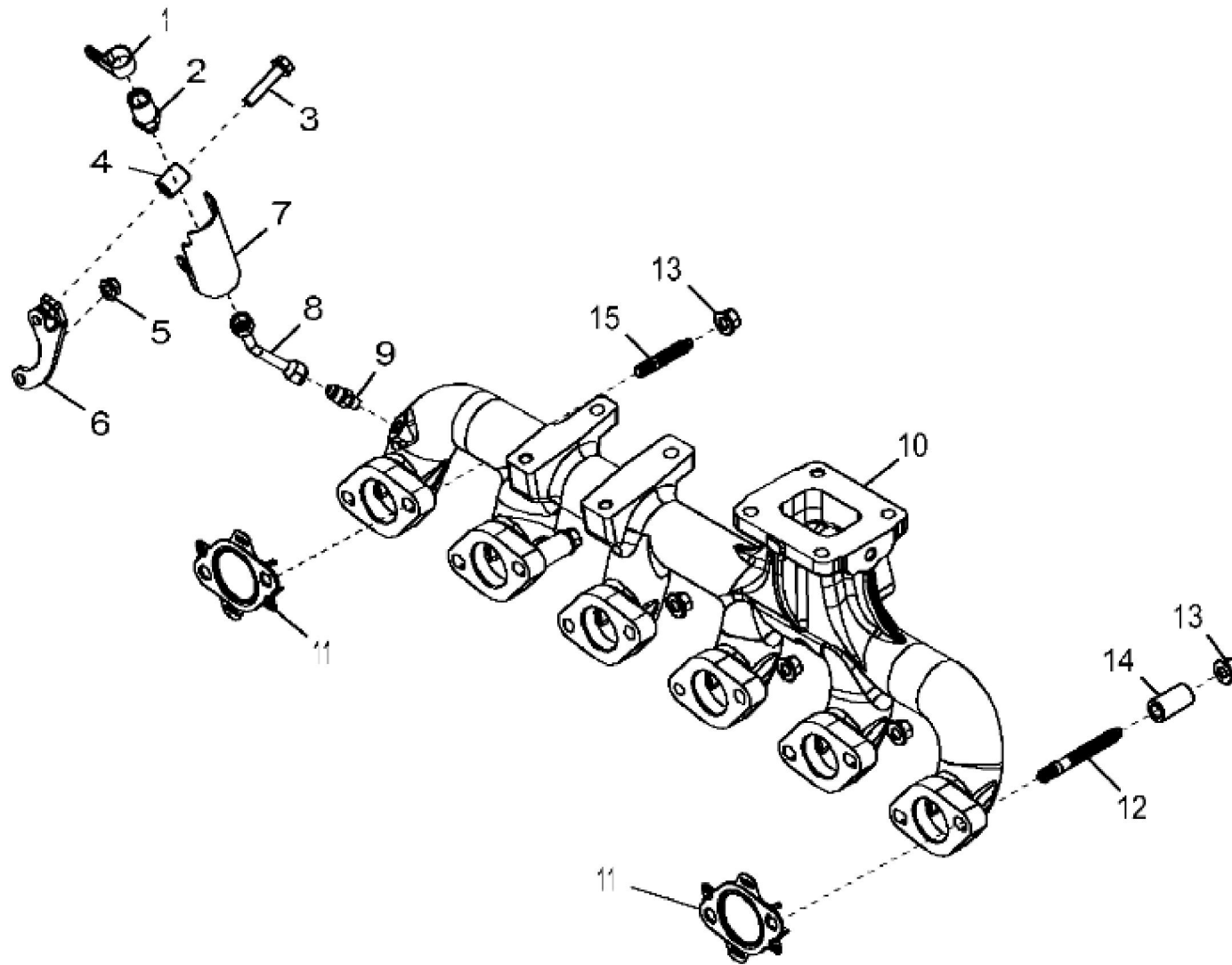
KEY	PART NO.	PART NAME	QTY	REMARKS	
1	RE554015	THERMOSTAT	2	SUB FOR RE540379	

Thank you very much for your reading. Please Click Here. Then Get COMPLETE MANUAL. NO WAITING



NOTE:

If there is no response to click on the link above, please download the PDF document first and then click on it.



28AP_RE537484_PCD

KEY	PART NO.	PART NAME	QTY	REMARKS
1	R519502	CLAMP	1	
2	R529704	ADAPTER FITTING	1	
3	19M7798	SCREW	1	M8 X 40
4	R532758	SPACER	1	
5	14M7298	FLANGE NUT	2	M8
6	RE546514	BRACKET	1	SUB FOR RE544069
7	R532097	HEAT SHIELD	1	
8	RE546446	LINE	1	SUB FOR RE541470
9	R27346	FITTING	1	
10	R529280	EXHAUST MANIFOLD	1	ORDER R534259; USE WITH (12) R528615, (6) R529371, (12) R530341
10	R534259	EXHAUST MANIFOLD	1	SUB FOR R529280;USE WITH (10) R530022, (6) R532937,(10) R535122, (12) R539762 AND(2) R530341; ALSO ORDER (6) R502512
11	R529371	GASKET	6	USE WITH R529280
11	R544294	GASKET	6	SUB FOR R532937; USE WITH R534259
12	DZ10229	STUD	10	USE WITH R534259
13	R528615	FLANGE NUT	12	USE WITH R529280
13	R539762	FLANGE NUT	12	USE WITH R534259
14	R535122	SPACER	10	USE WITH R534259
15	R530341	STUD	2	USE WITH R529280 AND R534259