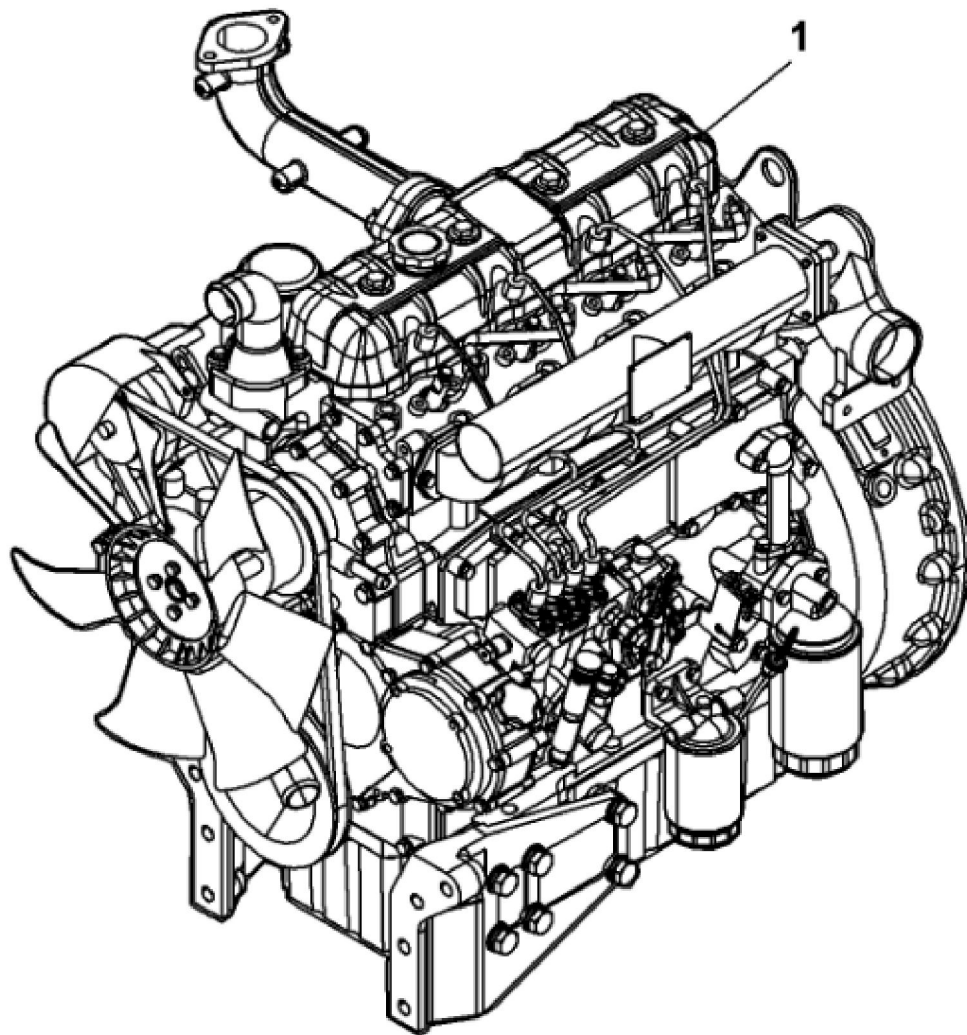


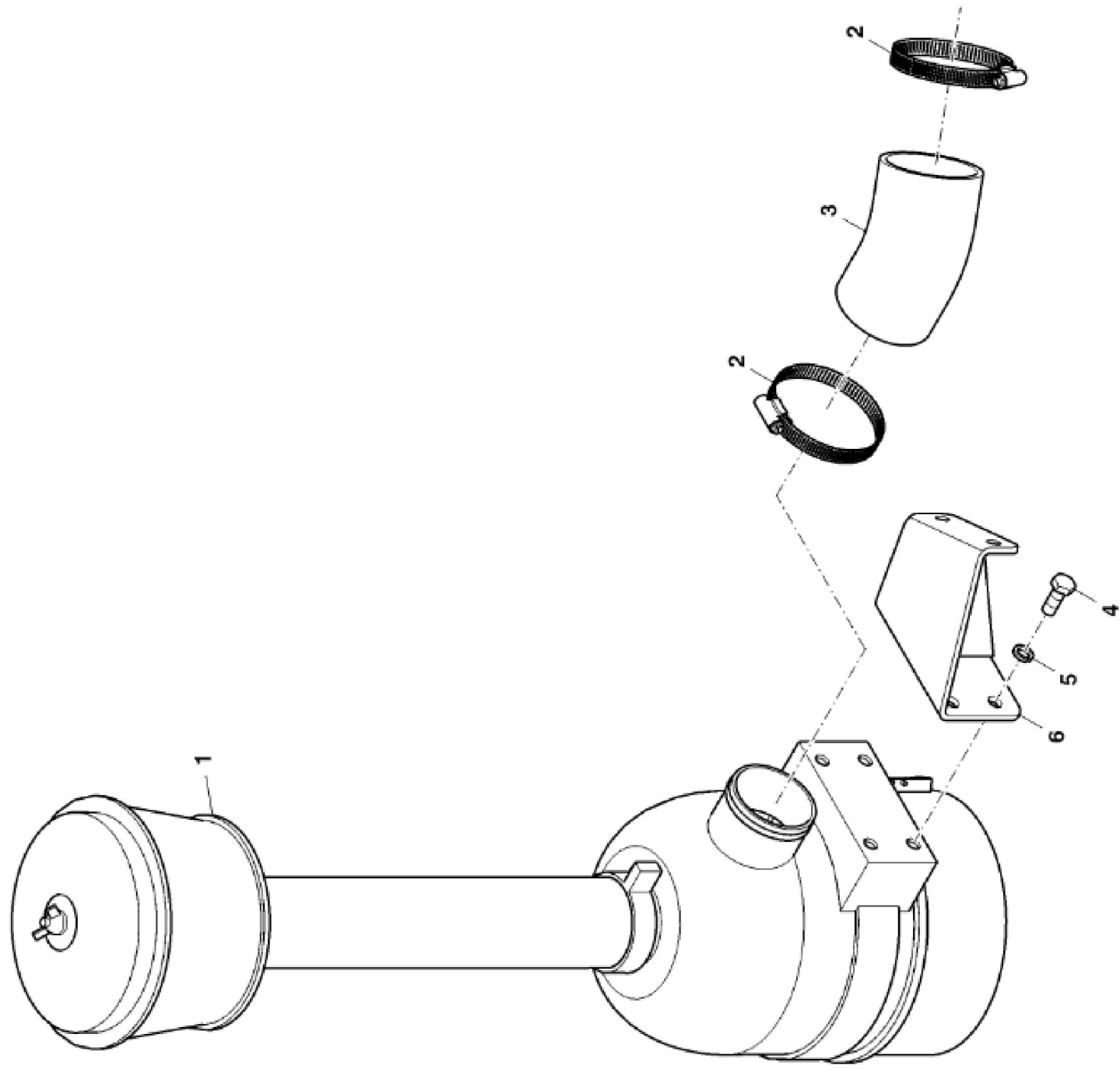
**N4263536**

KEY	PART NO.	PART NAME	QTY	Engine Serial No.	REMARKS	
1	SJ18110	DIESEL ENGINE	1	____-514881	(W/O Air Pump)	
1	SJ23976	DIESEL ENGINE	1	514882-____	(W/O Air Pump)	
1	SJ18111	DIESEL ENGINE	1	____-514881	(W/ Air Pump)	
1	SJ23977	DIESEL ENGINE	1	514882-____	(W/ Air Pump)	



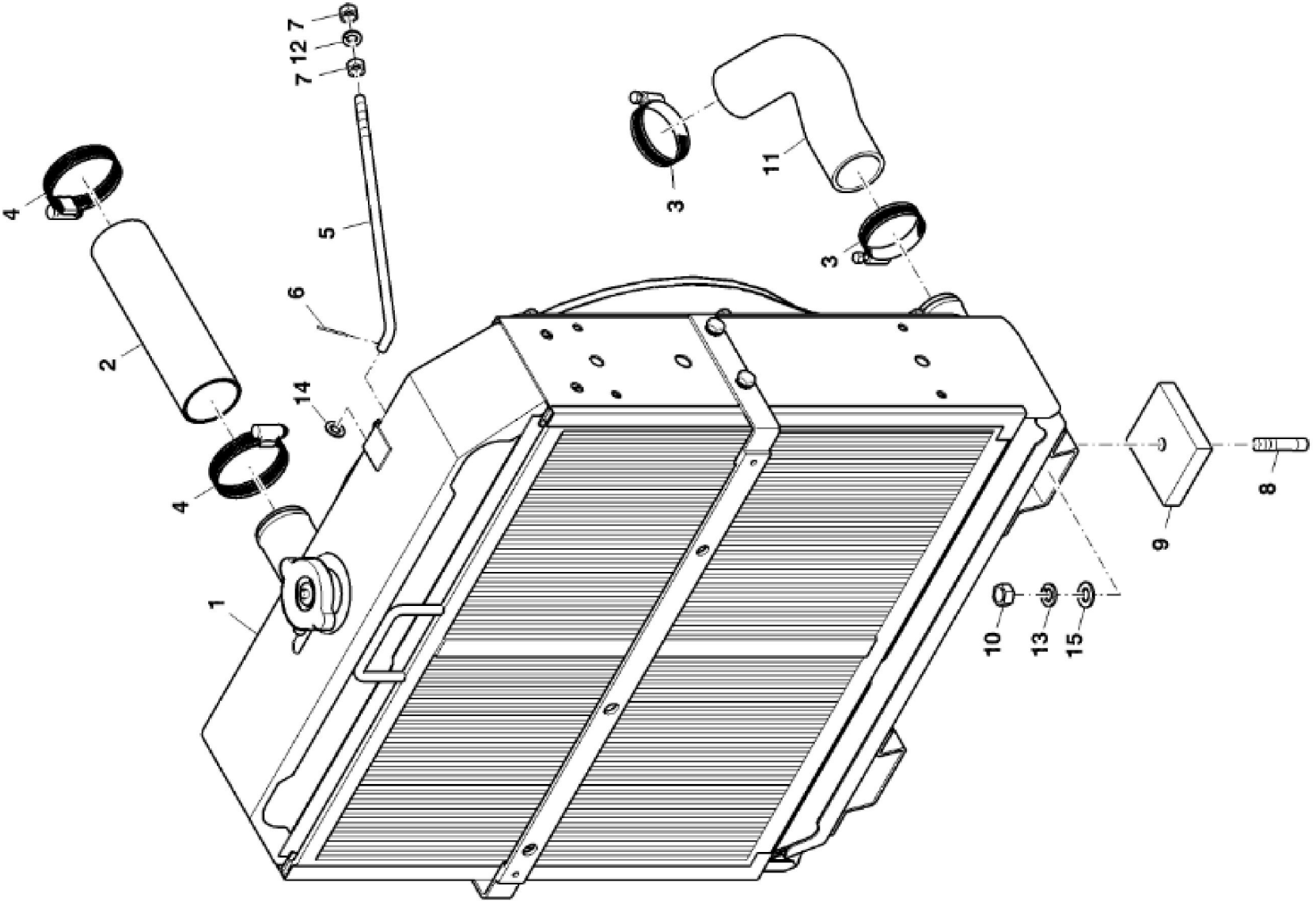
PUC01786

KEY	PART NO.	PART NAME	QTY	REMARKS	
1	SJ18787	DIESEL ENGINE	1	No Air Pump	
1	SJ18788	DIESEL ENGINE	1	With Air Pump	



ETN18678A

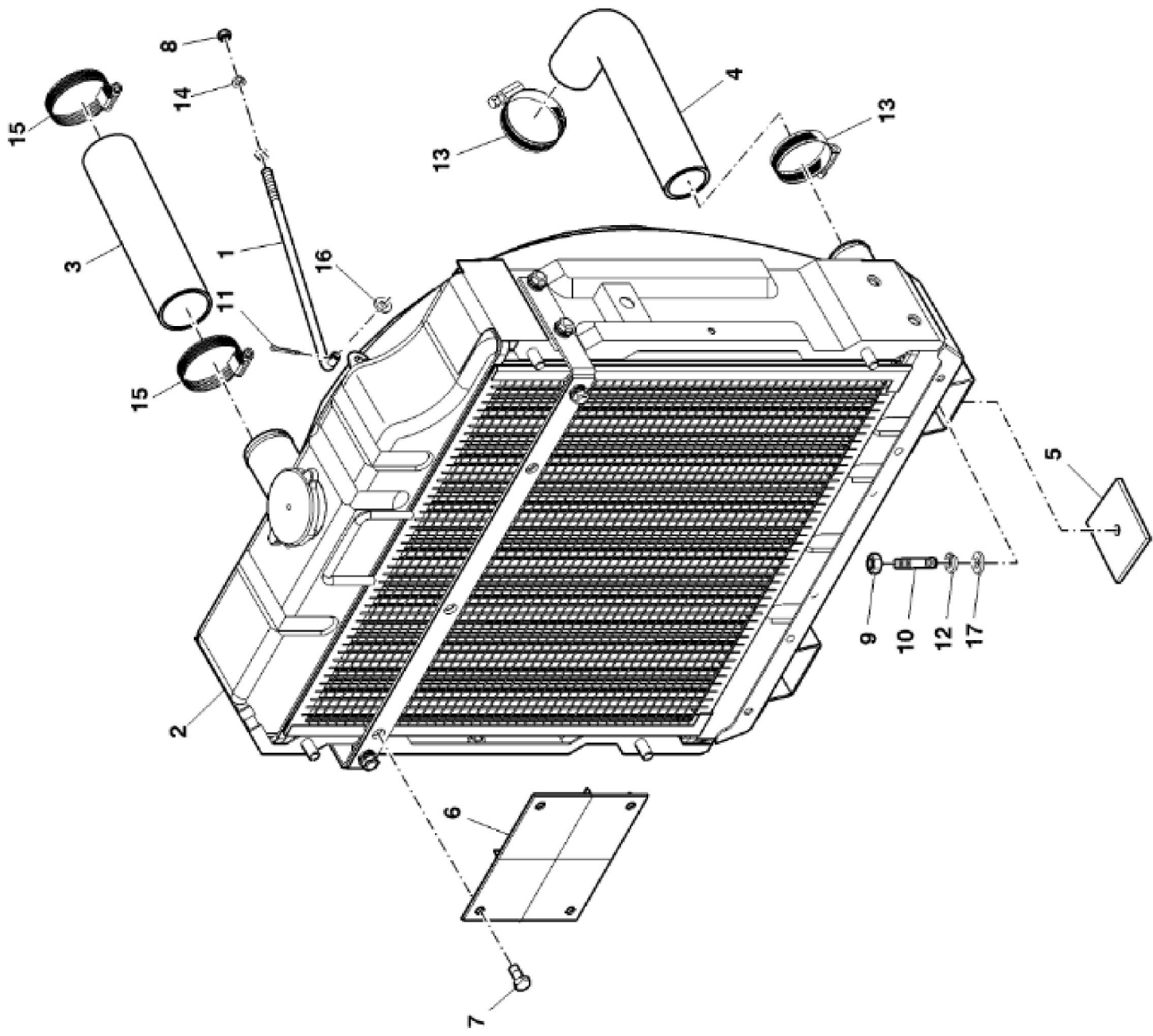
KEY	PART NO.	PART NAME	QTY	Serial No.	REMARKS	
1	SJ315835	AIR FILTER	1			
2	SU321910	CLAMP	2			
3	SU316390	HOSE	1			
4	SU318719	BOLT	6			
5	SU318979	LOCK WASHER	6			
6	SJ316370	BRACKET	1	____-515331		
6	SJ321674	SHEET	1	515332-____		



ETN100421

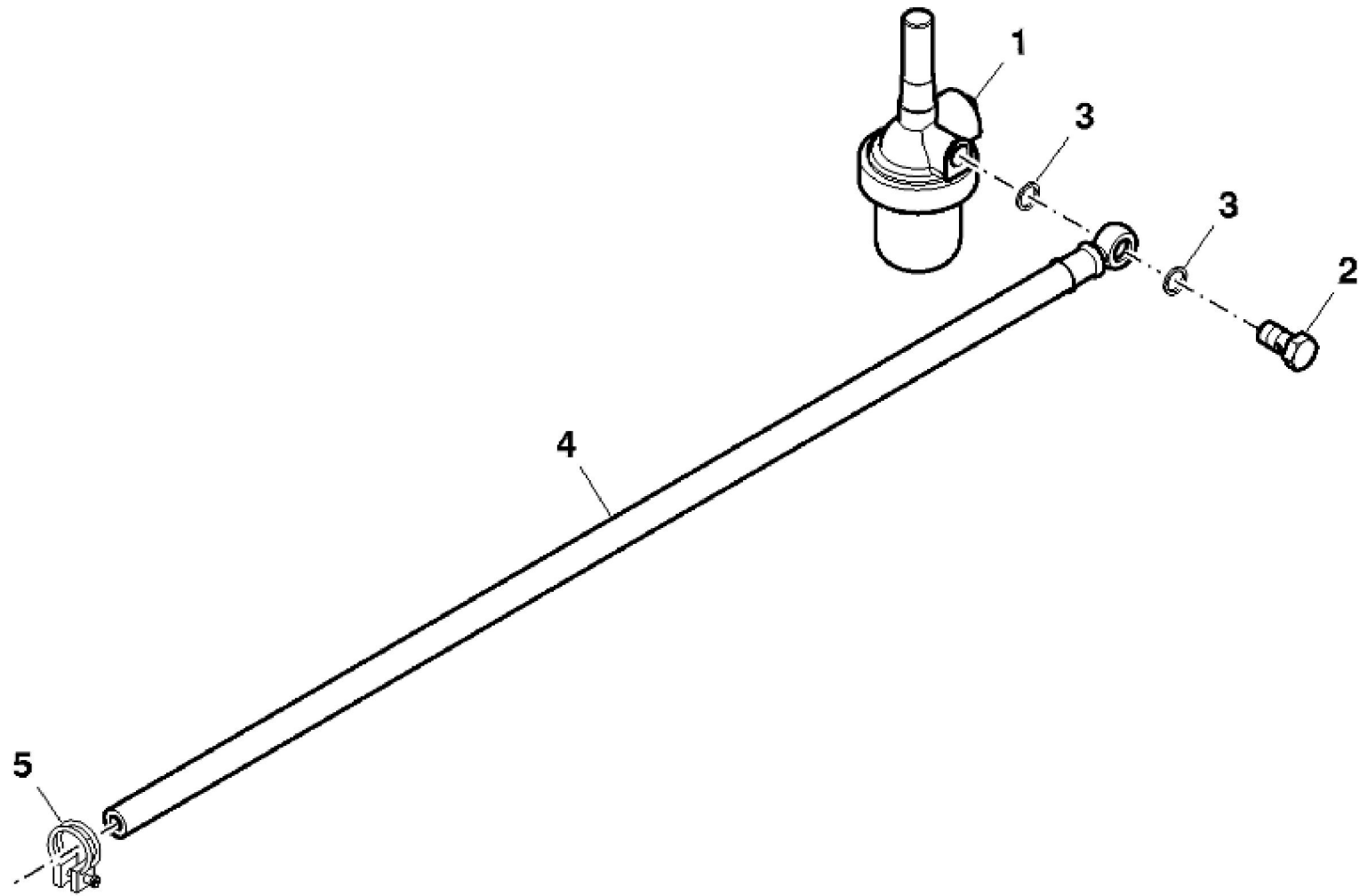
KEY	PART NO.	PART NAME	QTY	REMARKS	
1	SJ17571	RADIATOR	1		
2	SU316391	HOSE	1		
3	SU321909	CLAMP	2		
4	SU320049	CLAMP	2		
5	SU327256	HOOK BOLT	1		
6	11M7078	COTTER PIN	1	2 X 20 mm	
7	14M7029	NUT	2	M8	
8	SU328697	STUD	2		
9	SU321246	GASKET	2		
10	14M7509	NUT	2	M10	
11	SU34892	HOSE	1		
12	12M7065	LOCK WASHER	1	8 mm	
13	12M7066	LOCK WASHER	2	10 mm	
14	24M7036	WASHER	1	9 X 16 X 1.600 mm	
15	24M7040	WASHER	2	11 X 20 X 2 mm	





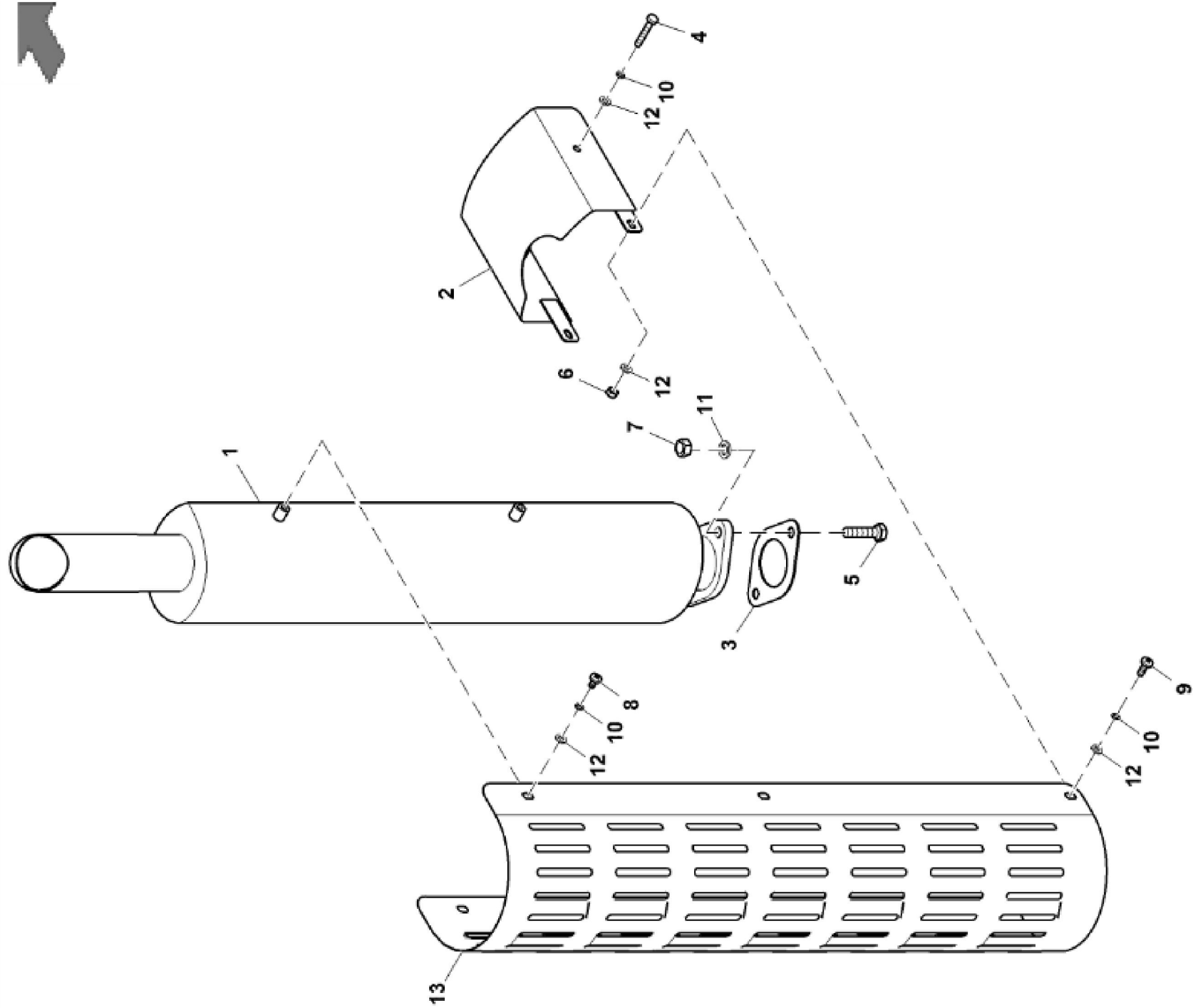
ETN18227A

KEY	PART NO.	PART NAME	QTY	REMARKS
1	SU327256	HOOK BOLT	1	
2	SJ319832	RADIATOR	1	
3	SU316391	HOSE	1	Inlet
4	SU327255	HOSE	1	Outlet
5	SU321246	GASKET	2	
6	SJ321243	BRACKET	1	
7	19M3143	CAP SCREW	2	M10 X 20
8	14M7029	NUT	2	M8
9	14M7509	NUT	2	M10
10	SU328873	STUD	2	
11	11M7078	COTTER PIN	1	2 X 20 mm
12	SU318979	LOCK WASHER	2	
13	SU321909	CLAMP	2	
14	SU318990	LOCK WASHER	1	
15	SU320049	CLAMP	2	
16	SU318993	WASHER	1	
17	SU318992	WASHER	2	



ETN17061A

KEY	PART NO.	PART NAME	QTY	REMARKS	
1	SJ314512	FILTER	1		
2	SU332599	HOLLOW SCREW	1		
3	SU318515	WASHER	2		
4	SJ315820	OIL TUBE	1		
5	SU321903	CLAMP	1		



ETN88443C

**Thank you very much for your reading. Please Click Here. Then Get COMPLETE MANUAL. NO WAITING**



**NOTE:**

**If there is no response to click on the link above, please download the PDF document first and then click on it.**

KEY	PART NO.	PART NAME	QTY	REMARKS	
1	SJ14968	MUFFLER	1	SUB FOR SJ316536	
2	SJ316552	SHIELD	1		
3	SU316560	GASKET	1		
4	19M10108	SCREW	2	M6 X 35	
5	19M3148	CAP SCREW	2	M10 X 40	
6	14M7567	NUT	2	M6	
7	14M7509	NUT	2	M10	
8	21M7400	SCREW	4	M6 X 10	
9	21M7246	SCREW	2	M6 X 16	
10	SU318989	LOCK WASHER	8		
11	12M7066	LOCK WASHER	2	10 mm	
12	24M7054	WASHER	10	6.400 X 12 X 1.600 mm	
13	SU316554	SHIELD	1		