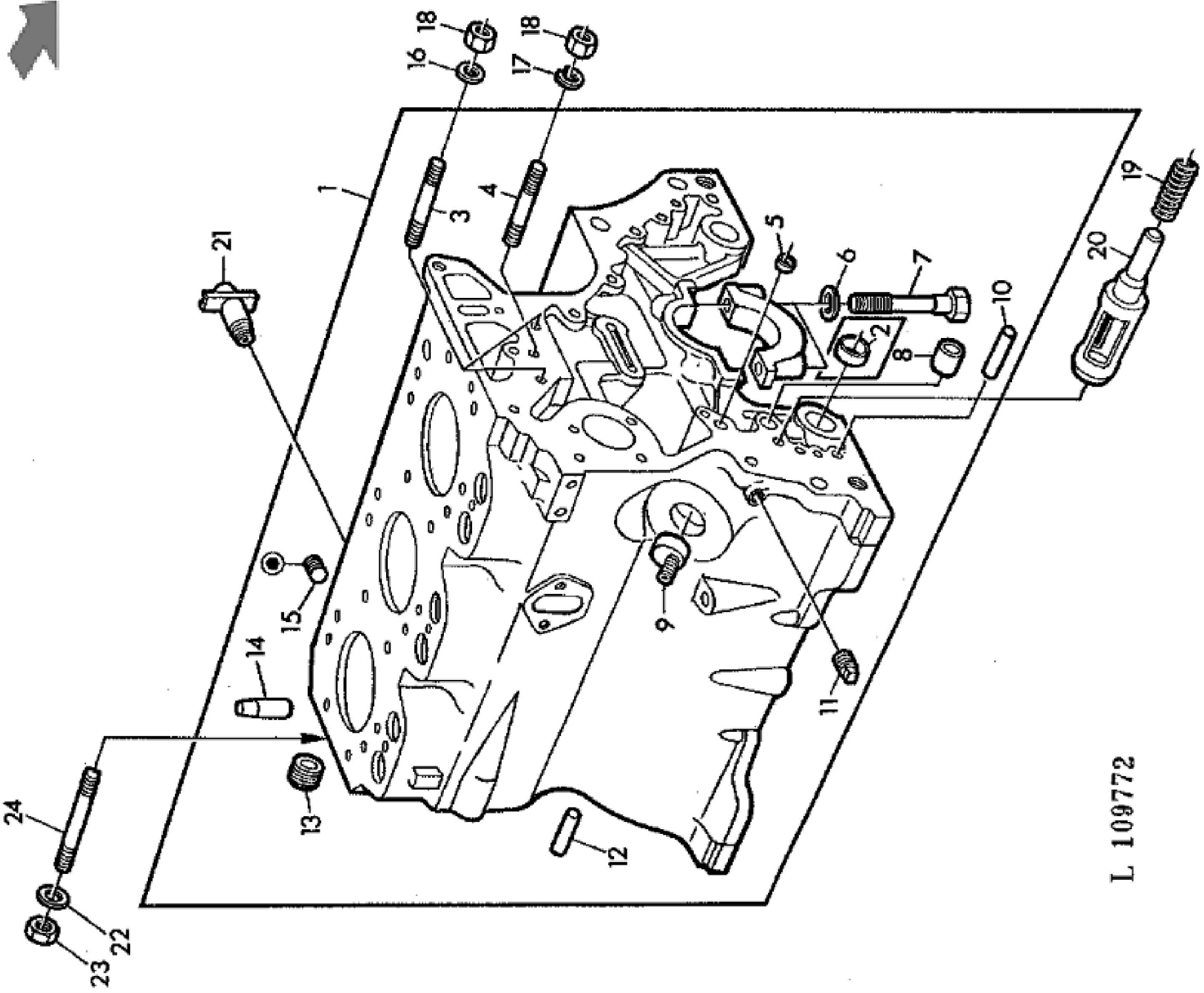


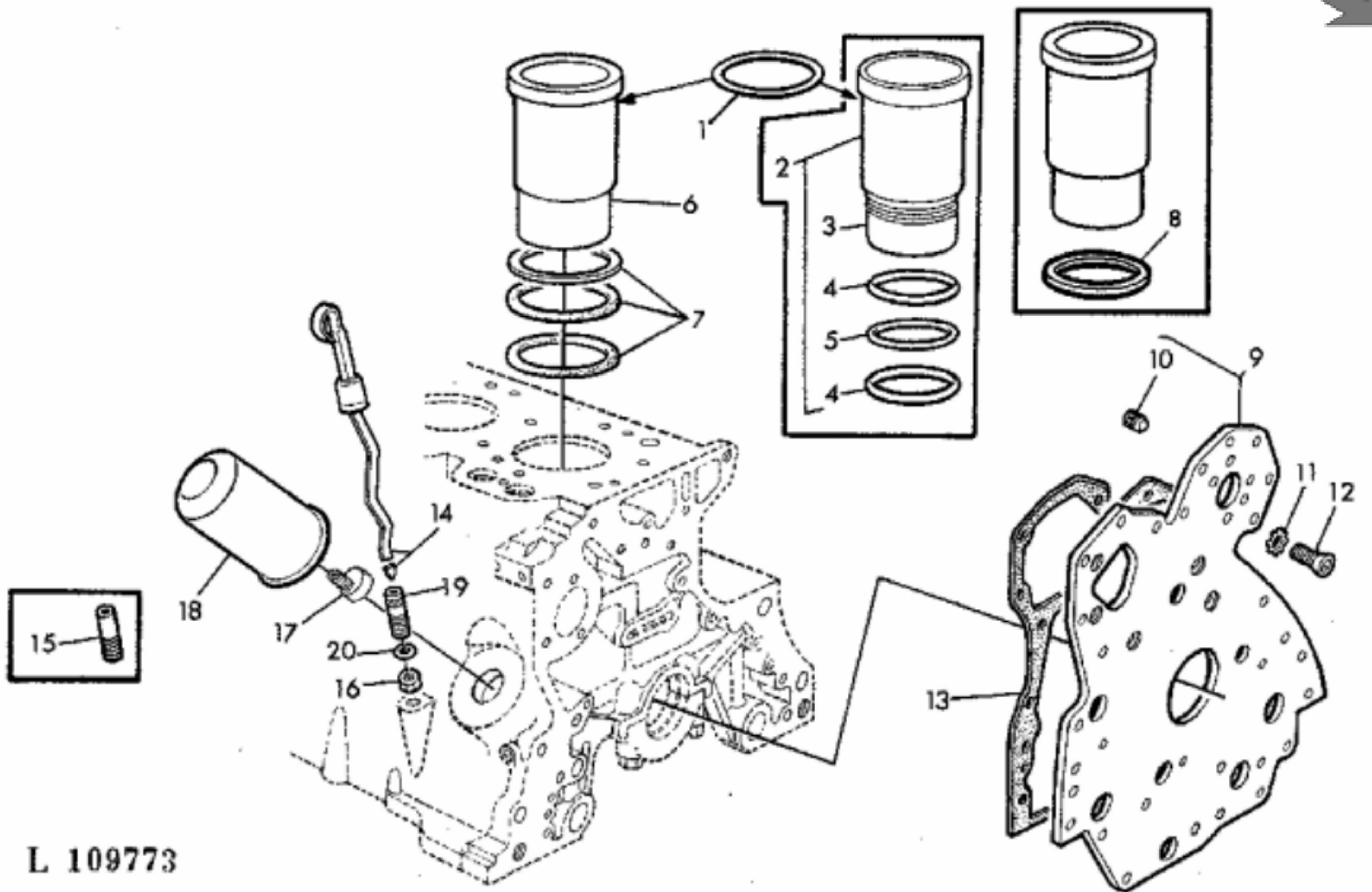
L 109771

KEY	PART NO.	PART NAME	QTY	Serial No.	820	920	REMARKS	
1	RE16787	SHORT BLOCK ASSEMBLY	AR	____-114526	X	X	ASSY (W/ (14) R53223) (SUB FOR DD11156, DD11408, DD12093)	
1	RE16787	SHORT BLOCK ASSEMBLY	AR	114527-____	X	X	ASSY (SUB FOR DD11156, DD11408, DD12093)	



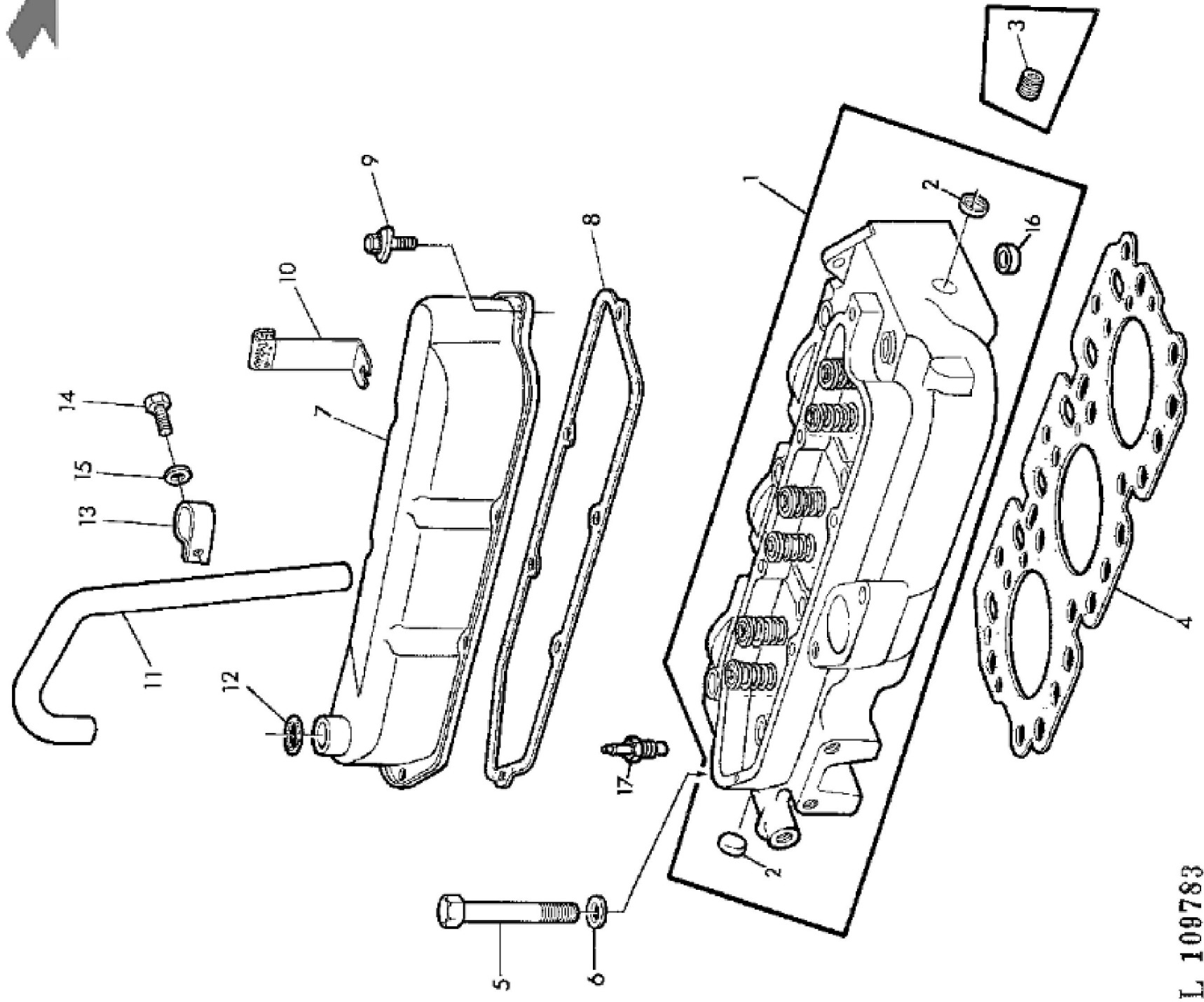
L 109772

KEY	PART NO.	PART NAME	QTY	Engine Serial No.	820	920	REMARKS
1	AT18105	CYLINDER BLOCK	1	____-030558	X		ASSY (ORD AR97087) (W/ R46625, (14) R53223, R73139, T20050, T26321)
1	AR97087	CYLINDER BLOCK	AR		X	X	ASSY,INCL KEYS 2-15
1	AT24999	CYLINDER BLOCK	1	030559-037142	X	X	ASSY (ORD AR97087) (W/ R46625, (14) R53223, R73139, T26321)
1	AT31582	CYLINDER BLOCK	1	037143-114526	X	X	ASSY (ORD AR97087) (W/ R46625, (14) R53223, R73139)
1	AR59055	CYLINDER BLOCK	1	114527-____	X	X	ASSY (ORD AR97087) (W/ R46625, R73139)
2	T20330	BUSHING	AR		X	X	
3	T33279	STUD	2		X	X	3/8" (SUB FOR T20173)
4	T25701	STUD	1		X	X	3/8"
5	T18891	PLUG	1		X	X	
6	T20168	WASHER	8		X	X	
7	T23474	CAP SCREW	8		X	X	1/2"
8	R26493	BUSHING	1		X	X	
9	T23435	THREADED NIPPLE	1		X	X	
10	A4879R	DOWEL PIN	2		X	X	
11	15H255	PIPE PLUG	1		X	X	3/8" (SUB FOR 15H563)
12	A120R	DOWEL PIN	2		X	X	
13	15H665	PIPE PLUG	1		X	X	3/4"
14	R26241	DOWEL PIN	2		X	X	
15	15H275	PIPE PLUG	1		X	X	1/4"
16	24H1303	WASHER	2		X	X	13/32"X11/16"X.060"
17	12H304	LOCK WASHER	1		X	X	3/8"
18	14H812	NUT	3		X	X	3/8"
19	R46625	SPRING	1		X	X	(FOR AR97087)
20	R73139	FLOW CONTROL HYD. VALVE	1		X	X	(FOR AR97087)
21	AT13740	DRAIN VALVE	1		X	X	1/4"
22	R42363	WASHER	1	102060-____	X	X	
23	14H760	NUT	1	102060-____	X	X	5/8"
24	R53790	STUD	1	102060-____	X	X	5/8"



L 109773

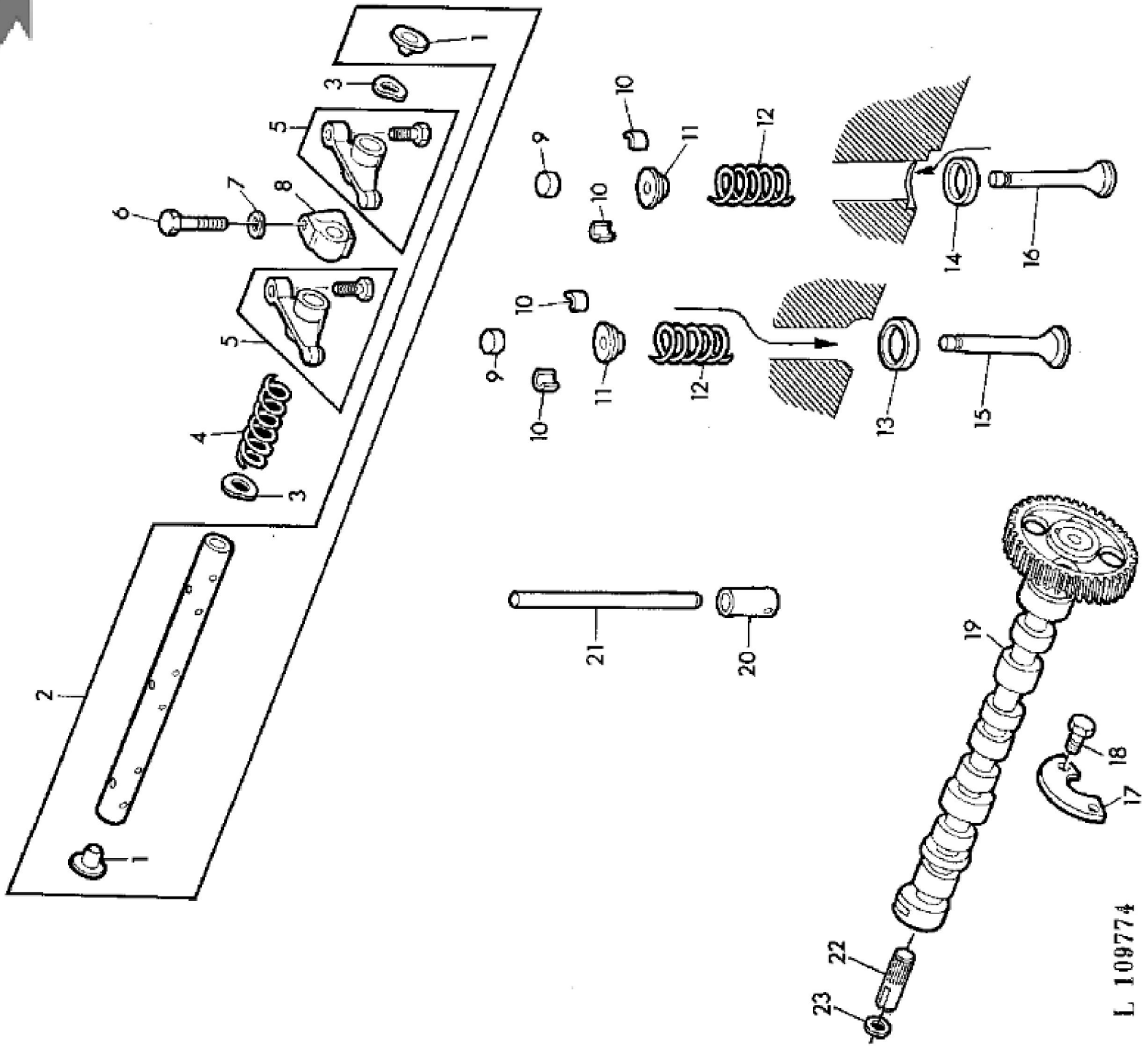
KEY	PART NO.	PART NAME	QTY	Engine Serial No.	820	920	REMARKS
1	R46905	SHIM	AR		X	X	TK=0,1MM(.004")
2	AR51902	CYLINDER LINER	AR	____-074999	X	X	KIT,INCL KEYS 3,4,5
3	.....	CYLINDER LINER	AR	____-074999	X	X	NSEP (ORD AR51902)
4	R48637	WASHER	2	____-074999	X	X	INCL KEY 2
5	R48638	O-RING	1	____-074999	X	X	
5	CD13603	O-RING	AR	____-074999	X	X	TK=3,5MM(.139") (W/ AR51902)
6	T32340	CYLINDER LINER	3	075000-____	X	X	(SUB FOR T20085, T32010)
7	AR71617	O-RING KIT	3	075000-____	X	X	KIT(3) (SUB FOR AT31609, DD13275, R48767)
8	.....	SHIM	3	____-074999	X	X	NSEP (ORD AR51902 OR AR71617)
9	AT29928	PLATE	1		X	X	ASSY,INCL KEY 10
10	AT21191	SET SCREW	8		X	X	5/16",W/ ROTO-DIESEL
10	AT22919	SET SCREW	2		X	X	3/8" ,W/ ROTO-DIESEL,R.BOSCH
11	12H324	WASHER	5		X	X	3/8"
12	T20166	SCREW	5		X	X	3/8"X7/8"
13	R73140	GASKET	1		X	X	(SUB FOR T24965)
14	AT21534	DIPSTICK	1		X	X	
15	T24409	THREADED NIPPLE	1	____-173966	X	X	1/2" (ORD R10093, R55299)
16	14H826	NUT	1		X	X	1/2"
17	.....	THREADED NIPPLE	1		X	X	
18	T19044	OIL FILTER	1		X	X	
19	R55299	DIPSTICK TUBE	1	173967-____	X	X	
20	R10093	O-RING	1	173967-____	X	X	



L 109783

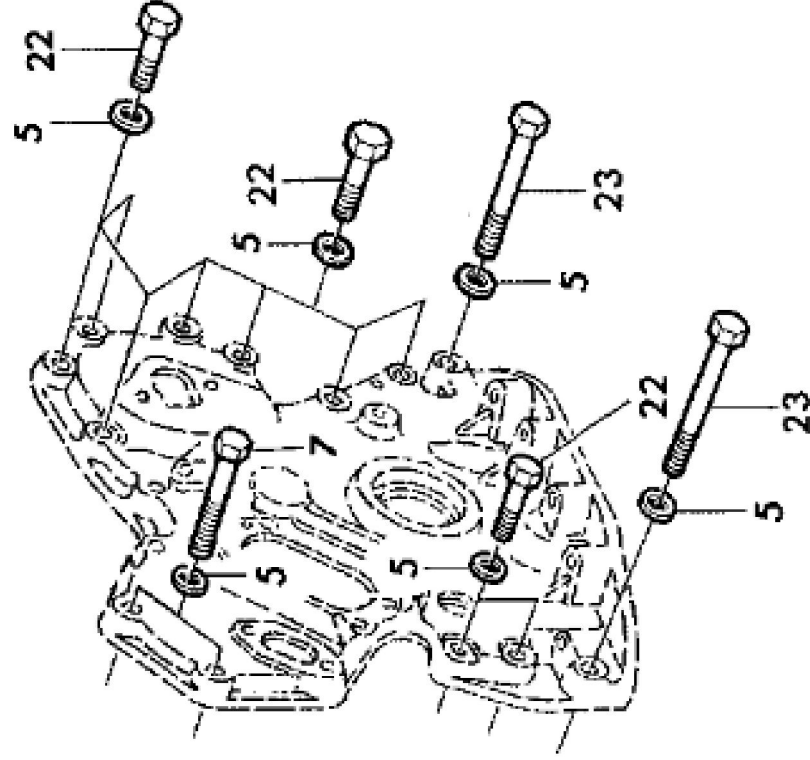
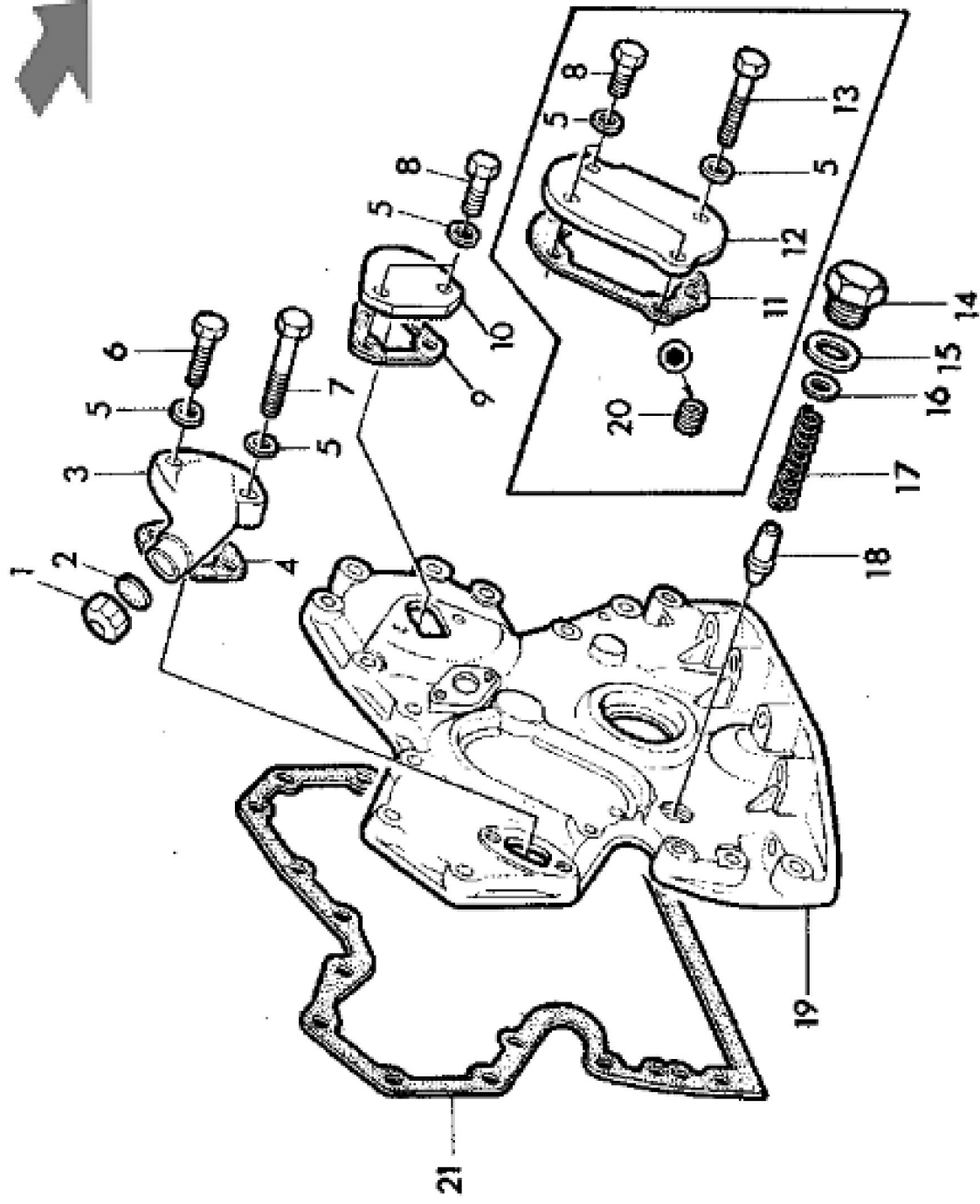
KEY	PART NO.	PART NAME	QTY	Engine Serial No.	820	920	REMARKS
1	AR70583	CYLINDER HEAD	1		X	X	ASSY (SUB FOR AR70581, AT21799)
2	A3910R	PLUG	2		X	X	
3	15H559	PIPE PLUG	1		X	X	1/4"
4	R52789	GASKET	1		X	X	(SUB FOR T20039)
5	T20183	CAP SCREW	14	____-114526	X	X	1/2"X4"
5	R53223	CAP SCREW	14	114527-____	X	X	1/2"X4-1/4"
6	T20168	WASHER	14		X	X	
7	AT18016	VALVE COVER	1		X	X	
8	T20111	GASKET	1		X	X	(ORD R75729)(W/(12) AR100124)
8	R75729	GASKET	AR		X	X	
9	AR100124	SCREW WITH WASHER	6		X	X	(SUB FOR AR27702, AR45530)
10	T24151	CLAMP	1		X	X	
11	T20074	TUBE	1		X	X	
12	R56463	O-RING	1		X	X	(SUB FOR R495R)
13	R40791	CLAMP	1		X	X	(SUB FOR A4656R)
14	19M1813	OBSOLETE PART	1		X	X	5/16"X5/8"
15	24H1685	WASHER	1		X	X	11/32"X3/4"X.075"
16	CD13979	VALVE SEAT INSERT	3		X	X	
17	AL24527	SENDER	1		X	X	





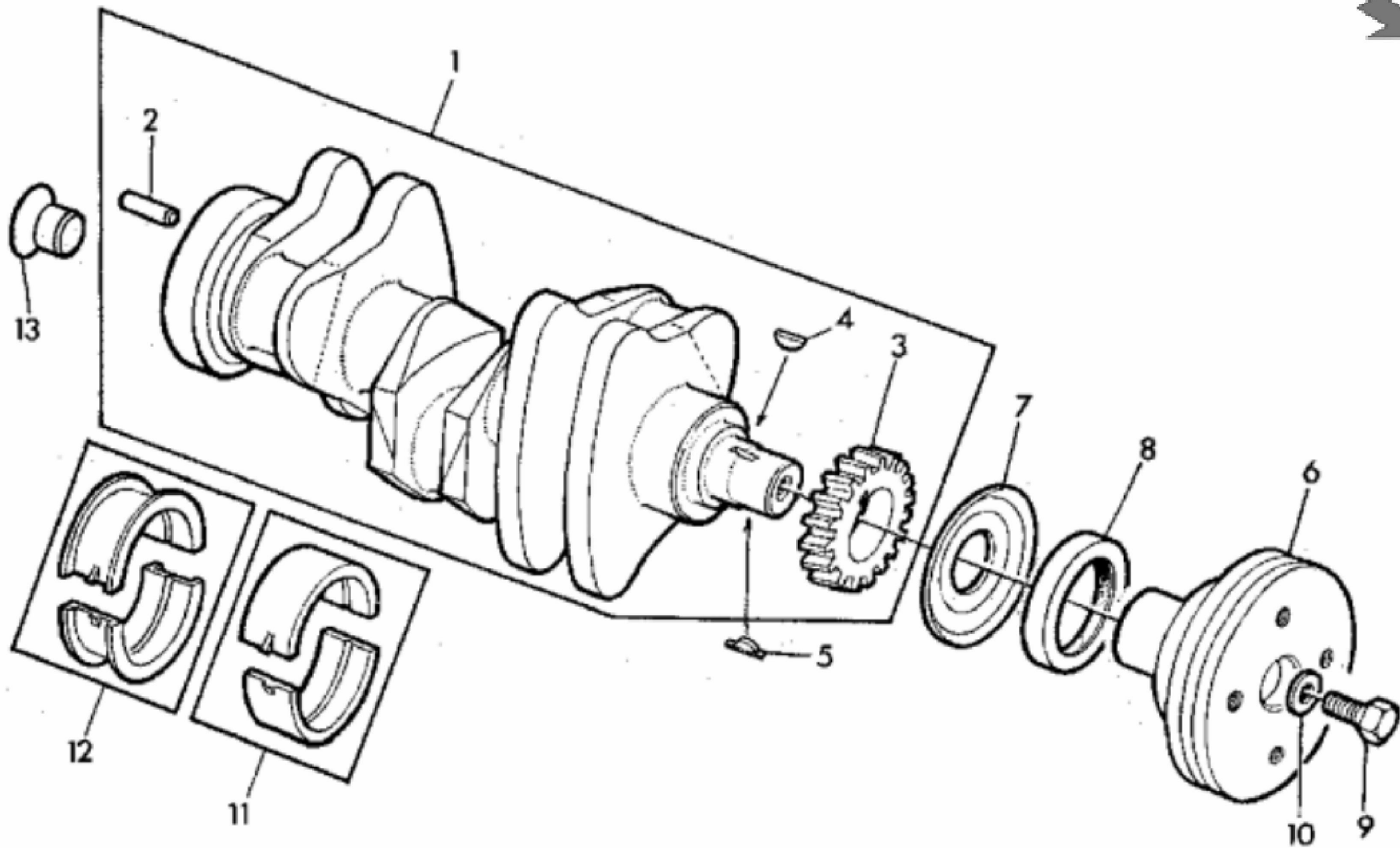
L 109774

KEY	PART NO.	PART NAME	QTY	Engine Serial No.	820	920	REMARKS
1	T23469	PLUG	2	____-159353	X	X	
1	R54565	PLUG	2	159354-____	X	X	(FOR DD12119)
2	DD12119	ROCKER ARM SHAFT	1		X	X	KIT,INCL KEY 1
3	T20316	WASHER	2		X	X	
4	T20314	SPRING	2		X	X	
5	AT31250	ROCKER ARM	6		X	X	ASSY (SUB FOR AT22665)
6	19H1733	CAP SCREW	3		X	X	3/8"X2-1/2"
7	R42729	WASHER	3		X	X	(SUB FOR T23594)
8	T20315	SUPPORT	3		X	X	
9	T20129	CAP	6		X	X	
10	T20077	RETAINER	12		X	X	
11	T20176	RETAINER	6		X	X	
12	R26125	SPRING	6		X	X	
13	CD14725	VALVE SEAT INSERT	AR		X	X	
14	CD13979	VALVE SEAT INSERT	3		X	X	
15	R52251	INTAKE VALVE	3		X	X	OD=STANDARD (SUB FOR T20174)
15	R57332	INTAKE VALVE	AR		X	X	OD=+0,076MM(.003") (SUB FOR T23546)
15	R57336	INTAKE VALVE	AR		X	X	OD=+0,76MM(.030") (SUB FOR R57334, T23548)
16	R52252	EXHAUST VALVE	6		X	X	OD=STANDARD (SUB FOR T20175)
16	R57333	EXHAUST VALVE	AR		X	X	OD=+0,076MM(.003") (SUB FOR T23549)
16	R57337	EXHAUST VALVE	AR		X	X	OD=+0,762MM(.030") (SUB FOR R57335, T23551)
17	T20072	PLATE	1		X	X	
18	19H1731	CAP SCREW	2		X	X	3/8"X1"
19	AR79622	CAMSHAFT	1		X	X	ASSY (SUB FOR AT18055, DD12094, T20070)
20	T20073	TAPPET	6		X	X	
21	T20310	PIN	6		X	X	
22	T20071	DRIVE SHAFT	1		X	X	
23	T20304	WASHER	1		X	X	



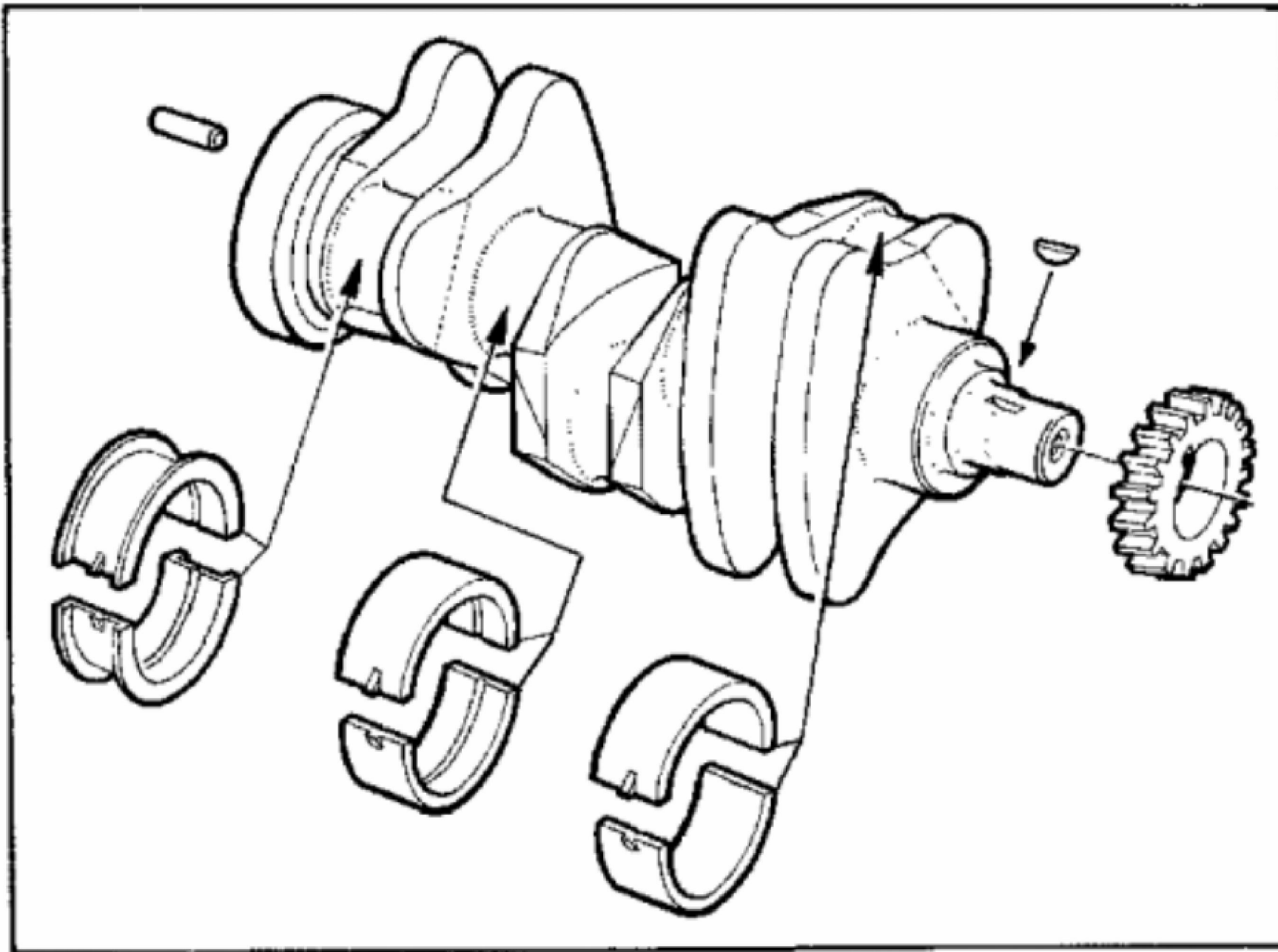
L 109775

KEY	PART NO.	PART NAME	QTY	Engine Serial No.	820	920	REMARKS
1	T20294	CAP	1		X	X	
2	T20328	GASKET	1		X	X	
3	T23614	FILLER NECK	1		X	X	
4	T20336	GASKET	1		X	X	
5	24H1304	WASHER	15		X	X	13/32"X23/32"X.120"
6	19H2665	CAP SCREW	1		X	X	3/8"X1-5/8"
7	19H2128	CAP SCREW	3		X	X	3/8"X3"
8	19H2284	CAP SCREW	5		X	X	3/8"X7/8" (FOR AT19509)
9	R69260	GASKET	1		X	X	(SUB FOR T20364)
10	T20362	COVER	1		X	X	
11	T20273	GASKET	1		X	X	(FOR AT19509)
12	T20272	COVER	1		X	X	(FOR AT19509)
13	19M1726	CAP SCREW	1		X	X	3/8"X2-1/4" (FOR AT19509)
14	T20069	CAP SCREW	1	____-042640	X	X	(ORD R51516, T27657, T27658)
14	T27657	FITTING PLUG	1	042641-____	X	X	
15	A4827R	WASHER	1		X	X	
16	24H1290	WASHER	1		X	X	21/64"X3/4"X.036"
17	T20303	SPRING	1	____-031311	X		
17	T24964	SPRING	1	031312- 042640	X		(ORD R51516, T27657, T27658)
17	T27658	SPRING	1	042641-____	X	X	
17	T20303	SPRING	1	____-030478		X	
17	T24964	SPRING	1	030479- 042640		X	(ORD R51516, T27657, T27658)
18	R51516	VALVE	1		X	X	(SUB FOR T20067)
19	AR97707	COVER	1		X	X	(SUB FOR AT19509)
20	15H275	PIPE PLUG	1		X	X	1/4" (FOR AT19509)
21	T20155	GASKET	1		X	X	
22	19H1801	CAP SCREW	9		X	X	3/8"X2"
23	19H1733	CAP SCREW	2		X	X	3/8"X2-1/2"



L 109776

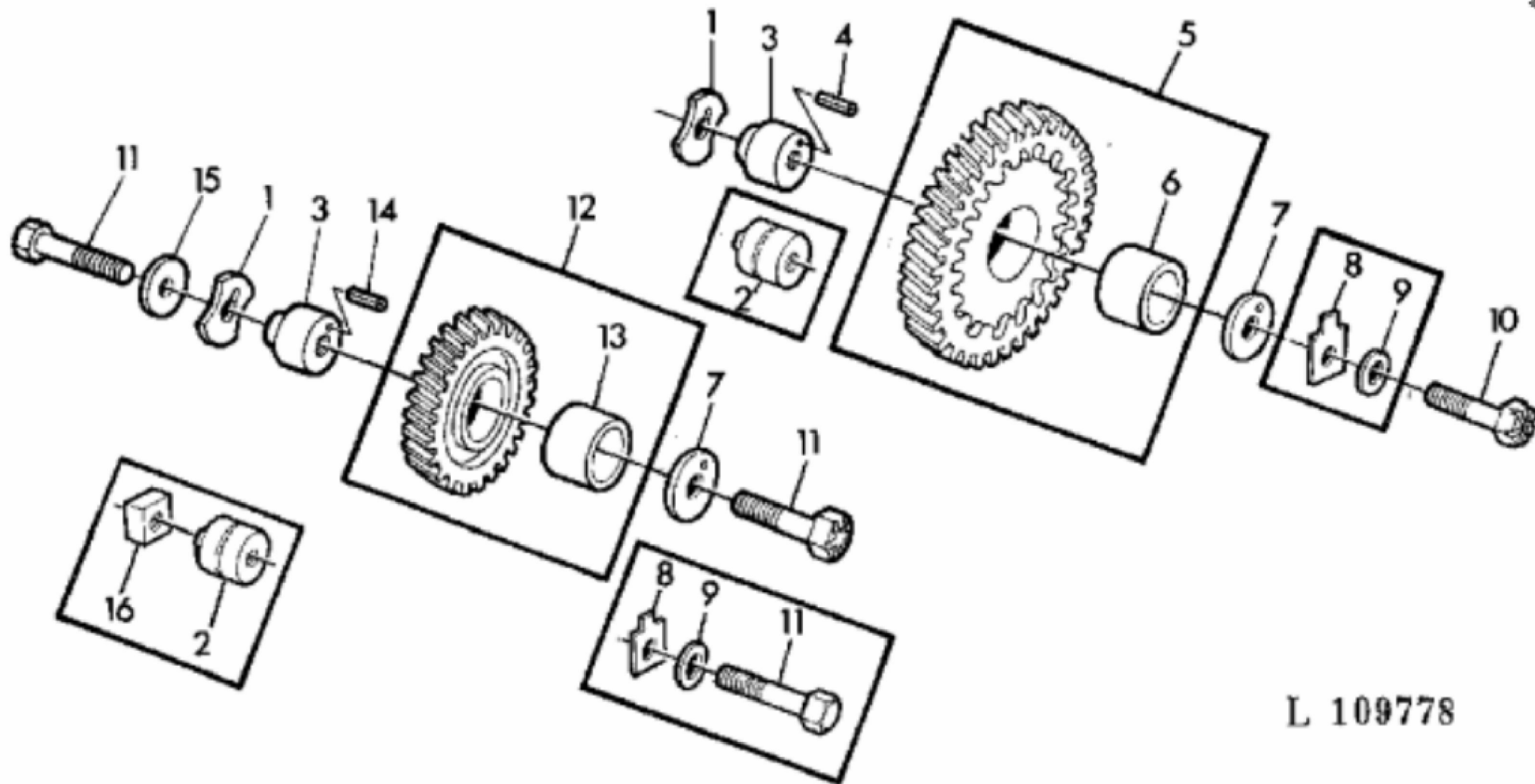
KEY	PART NO.	PART NAME	QTY	820	920	REMARKS
1	AT18031	CRANKSHAFT	1	X	X	ASSY
2	T26565	DOWEL PIN	1	X	X	(SUB FOR C1220R)
3	T20094	HELICAL GEAR	1	X	X	Z=24
4	26H72	SHAFT KEY	1	X	X	1/8"X5/8"
5	T23604	SHAFT KEY	1	X	X	
6	R72112	PULLEY	1	X	X	(SUB FOR AT24011, T25366)
7	T20046	OIL SLINGER	1	X	X	
8	AR67942	SEAL	1	X	X	FRONT (SUB FOR AT21608)
9	19H1721	CAP SCREW	1	X	X	1/2"X1-1/2"
10	T20217	WASHER	1	X	X	
11	AT21140	BEARING	3	X	X	ID=STANDARD(MARKED T23214)
11	AT21108	BEARING	AR	X	X	ID=-0,051MM(.002") (MARKED T23552)
11	AT21110	BEARING	AR	X	X	ID=-0,254MM(.010") (MARKED T23554)
11	AT21112	BEARING	AR	X	X	ID=-0,508MM(.020") (MARKED T23556)
11	AT21114	BEARING	AR	X	X	ID=-0,762MM(.030") (MARKED T23558)
12	AT21139	BEARING	1	X	X	ID=STANDARD(MARKED T23215)
12	AT21130	BEARING	AR	X	X	ID=-0,051MM(.002") (MARKED T23574)
12	AT21132	BEARING	AR	X	X	ID=-0,254MM(.010") (MARKED T23576)
12	AT21134	BEARING	AR	X	X	ID=-0,508MM(.020") (MARKED T23578)
12	AT21136	BEARING	AR	X	X	ID=-0,762MM(.030") (MARKED T23580)
13	T20445	PLUG	1	X	X	



L 109777

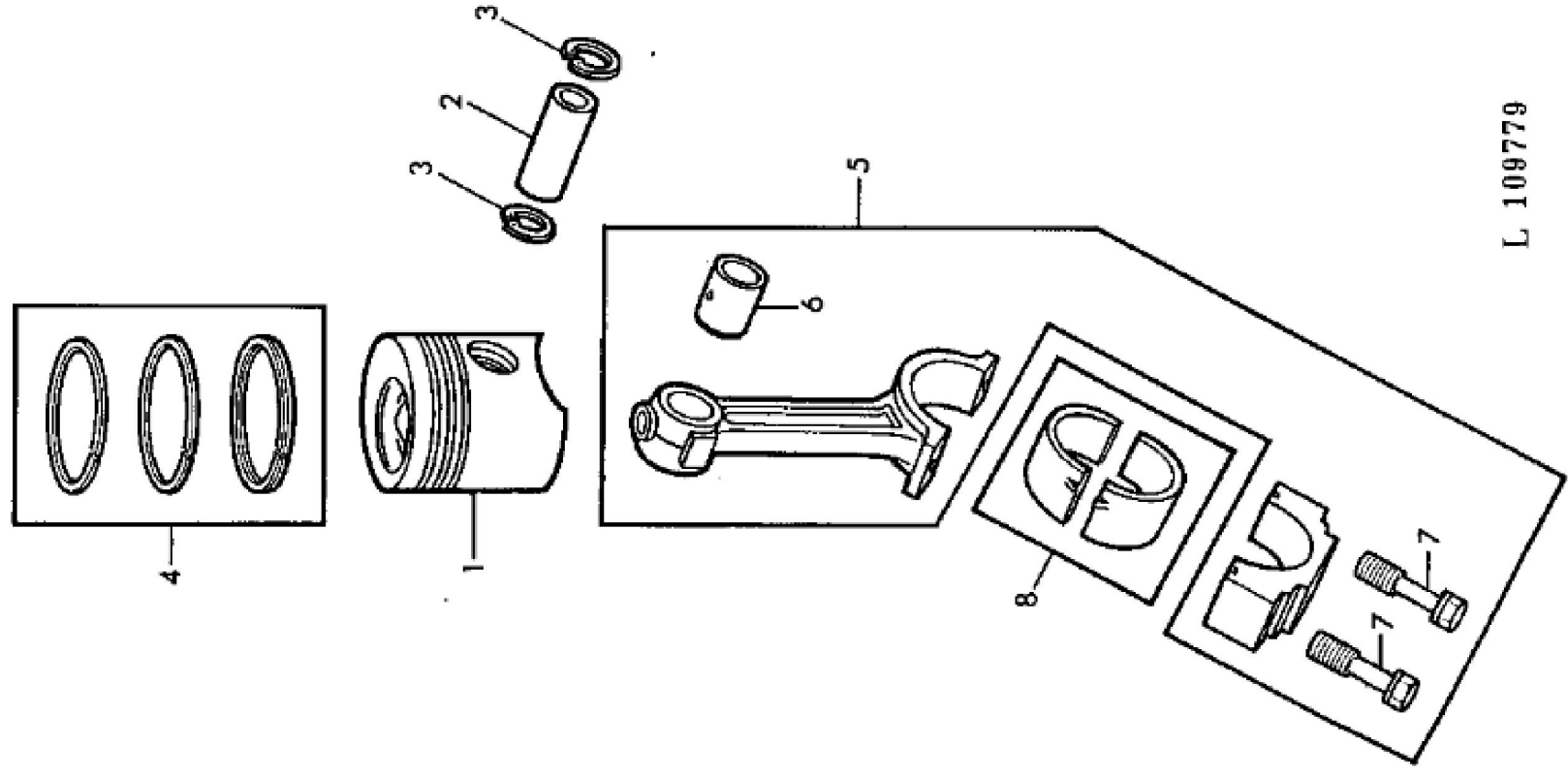
KEY	PART NO.	PART NAME	QTY	820	920	REMARKS	
1	DD13894	KIT	1	X	X	(A) KIT	





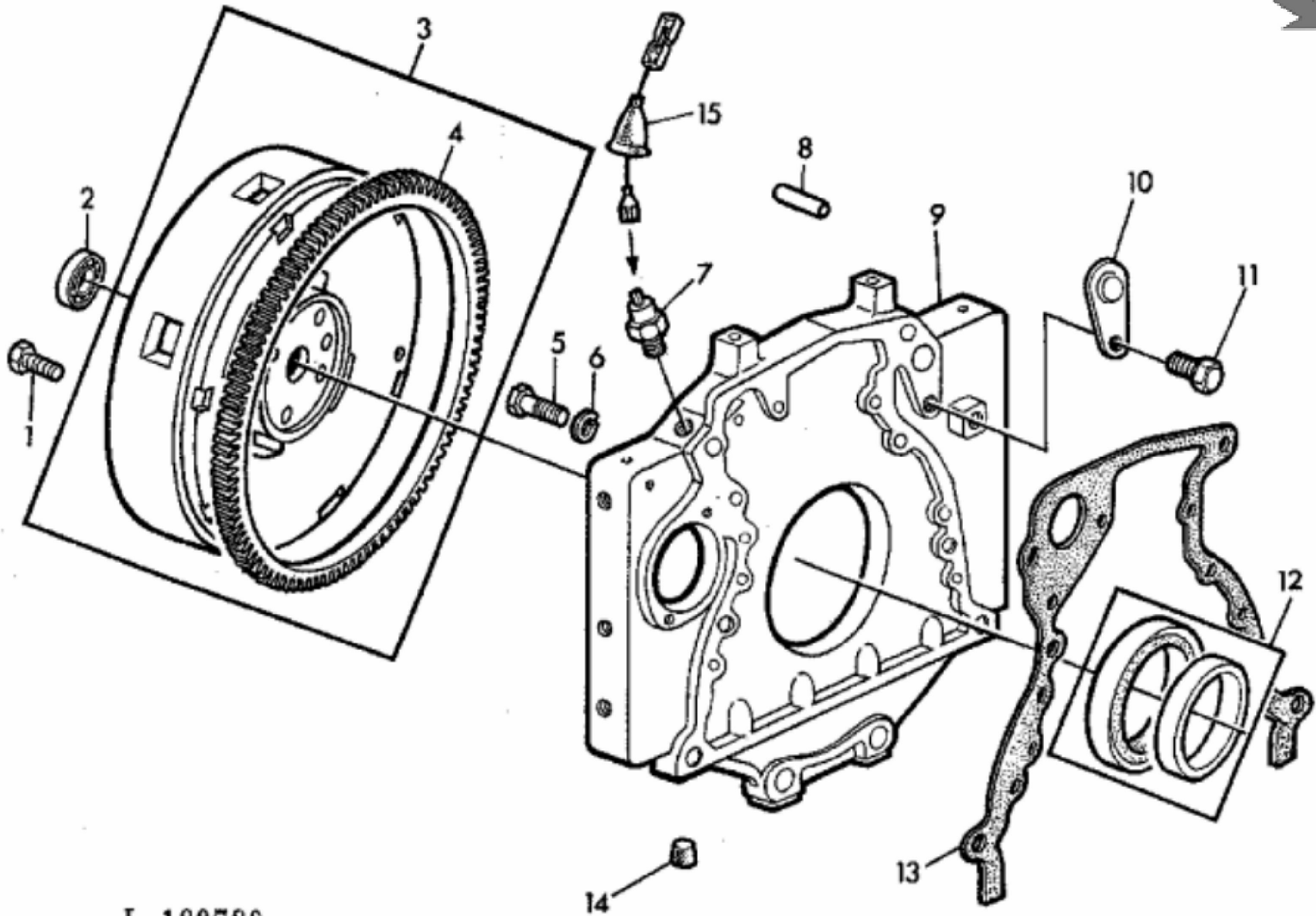
L 109778

KEY	PART NO.	PART NAME	QTY	Engine Serial No.	820	920	REMARKS
1	T26324	THRUST WASHER	2	037143-____	X	X	(SUB FOR T20037)
2	T20036	SHAFT	2	____-037142	X	X	UP (ORD T26323)
2	T20036	SHAFT	1	____-037142	X	X	LOW (ORD T26321, T26323)
3	T26323	SHAFT	2	037143-____	X	X	
4	34H283	SPRING PIN	1	037143-____	X	X	3/16"X1-1/8" (SUB FOR 34H275)
5	AR91660	GEAR	1		X	X	UP,Z=55 (SUB FOR AT18009)
6	T20034	BUSHING	1		X	X	UP
7	T26326	THRUST WASHER	2	037143-____	X	X	(SUB FOR T20038)
8	T20291	WEAR PLATE	2	____-037142	X	X	
9	T20290	SHIM	2	____-037142	X	X	
10	19H1805	CAP SCREW	1	____-037142	X	X	1/2"X2-1/4"
10	T26327	SCREW	1	037143-____	X	X	
11	19H1930	CAP SCREW	2	____-037142	X	X	1/2"X2-1/2"
11	T26325	SCREW	2	037143-____	X	X	
12	AT18039	GEAR	1	____-037142	X	X	LOW,Z=45 (ORD AT24252)
12	AT24252	GEAR	1	037143-____	X	X	LOW,Z=45
13	T20034	BUSHING	1	____-037142	X	X	LOW (ORD T26321)
13	T26321	BUSHING	1	037143-____	X	X	
14	34H286	SPRING PIN	1	037143-____	X	X	3/16"X1-1/2"
15	24H1890	WASHER	1	037143-____	X	X	9/32"X1 "X.250" (SUB FOR 24H1272)
16	T20136	FITTING	1	____-037142	X	X	



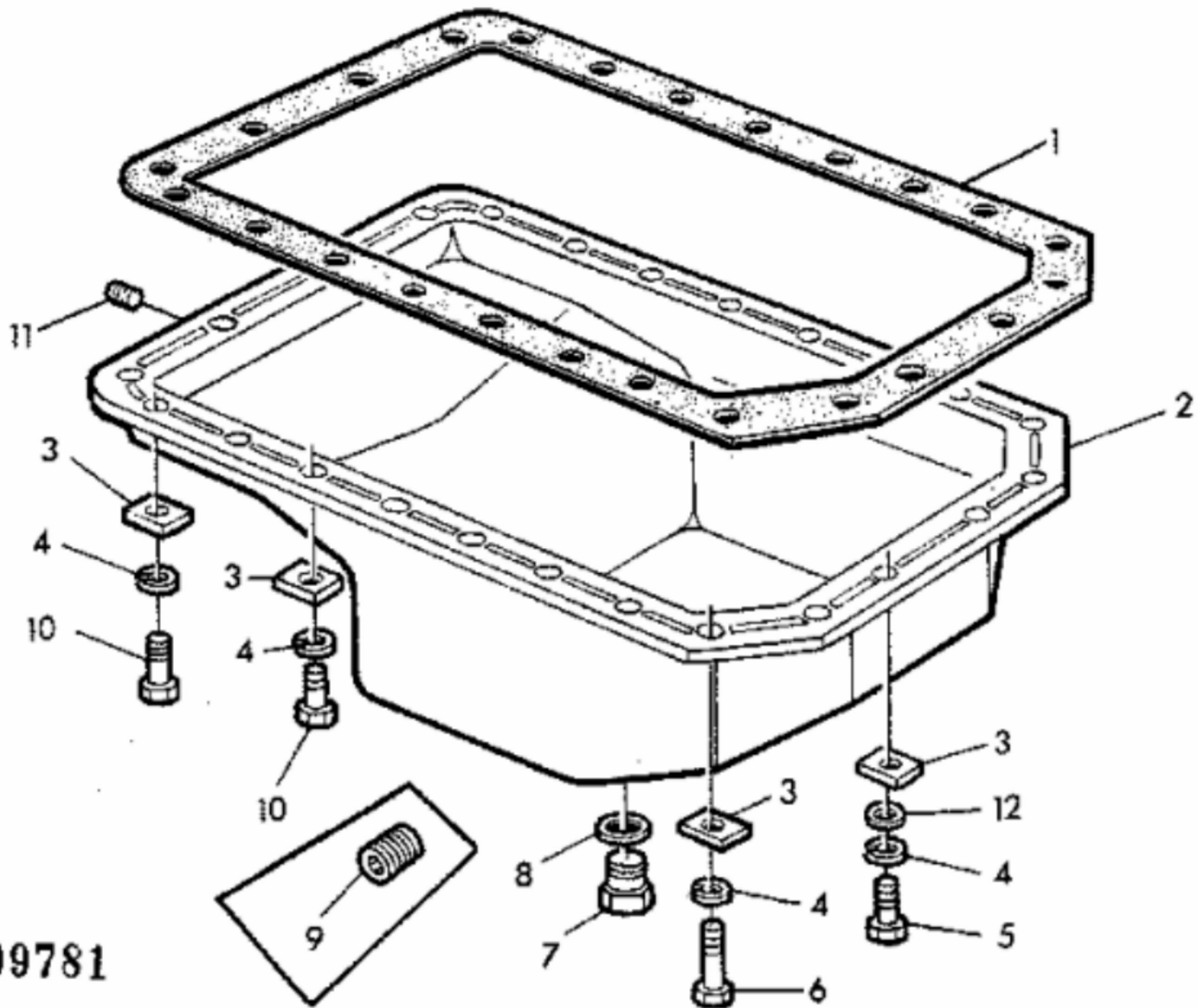
L 109779

KEY	PART NO.	PART NAME	QTY	820	920	REMARKS
1	T23481	PISTON	3	X	X	
2	T23482	PISTON PIN	3	X	X	
3	R51112	SNAP RING	6	X	X	PACKG(2) (SUB FOR M67T)
4	AR70633	PISTON RING KIT	3	X	X	KIT(3) (SUB FOR AR55758, AT18012)
5	AT18005	CONNECTING ROD	3	X	X	ASSY
6	T23471	BUSHING	3	X	X	
7	R74194	SCREW	6	X	X	(SUB FOR T20009)
8	AT21138	BEARING	3	X	X	ID=STANDARD(MARKED T20011)
8	AT21122	BEARING	AR	X	X	ID=-0,051MM(.002") (MARKED T23566)
8	AT21124	BEARING	AR	X	X	ID=-0,254MM(.010") (MARKED T23568)
8	AT21126	BEARING	AR	X	X	ID=-0,508MM(.020") (MARKED T23570)
8	AT21128	BEARING	AR	X	X	ID=-0,762MM(.030") (MARKED T23572)



L 109780

KEY	PART NO.	PART NAME	QTY	Engine Serial No.	820	920	REMARKS
1	19H3299	CAP SCREW	4		X	X	1/2"X1-1/4" (SUB FOR T20306 APPL)
2	JD10107	BALL BEARING	1		X	X	(SUB FOR AL24903, AR56268, JD8511)
3	AT21382	FLYWHEEL	1		X	X	ASSY
4	T20088	GEAR	1		X	X	Z=142
5	19H1800	CAP SCREW	8		X	X	3/8"X1-1/2"
6	12H304	LOCK WASHER	8		X	X	3/8"
7	AR27977	PRESSURE SWITCH	1		X	X	
8	T26565	DOWEL PIN	2		X	X	(SUB FOR C1220R)
9	T22991	HOUSING	1	____-038435	X	X	(ORD AT22965, T28433, T28435)
9	T25117	HOUSING	1	038436- 100369	X	X	(ORD T28433) (W/ T28435)
9	T28433	HOUSING	1	100370-____	X	X	
10	T20089	COVER	1	____-100369	X	X	
10	T28435	COVER	1	100370-____	X	X	
11	19H2351	CAP SCREW	1		X	X	1/2"X1/2" (SUB FOR T20090)
12	T20326	SEAL	1	____-038435	X	X	
12	AR92893	SEAL	1	038436-____	X	X	(SUB FOR AT22965)
13	R70483	GASKET	1		X	X	(SUB FOR R49516, T23596)
14	T23590	PLUG	1		X	X	
15	AT30691	WIRING LEAD	1		X	X	



L 109781

KEY	PART NO.	PART NAME	QTY	820	920	REMARKS	
1	T24534	GASKET	1	X	X		
2	AT18178	OIL PAN	1	X	X	(SUB FOR AT18180)	
3	T30726	STRAP	24	X	X	(SUB FOR T23200)	
4	12H304	LOCK WASHER	24	X	X	3/8"	
5	19H2284	CAP SCREW	5	X	X	3/8"X7/8" (SUB FOR 19H1732)	
6	19H2545	CAP SCREW	1	X	X	3/8"X1-3/8" (SUB FOR 19H1801)	
7	T20098	DRAIN PLUG	1	X	X		
8	T13213	WASHER	1	X	X		
9	15H649	PIPE PLUG	1	X	X	3/4"	
10	19H1936	CAP SCREW	18	X	X	3/8"X3/4"	
11	15H624	PIPE PLUG	1	X	X	1/2"	
12	24H1304	WASHER	2	X	X	13/32"X23/32"X.120"	



**Thank you very much for your reading. Please Click Here. Then Get COMPLETE MANUAL. NO WAITING**



**NOTE:**

**If there is no response to click on the link above, please download the PDF document first and then click on it.**

# **Illustration Not Available**