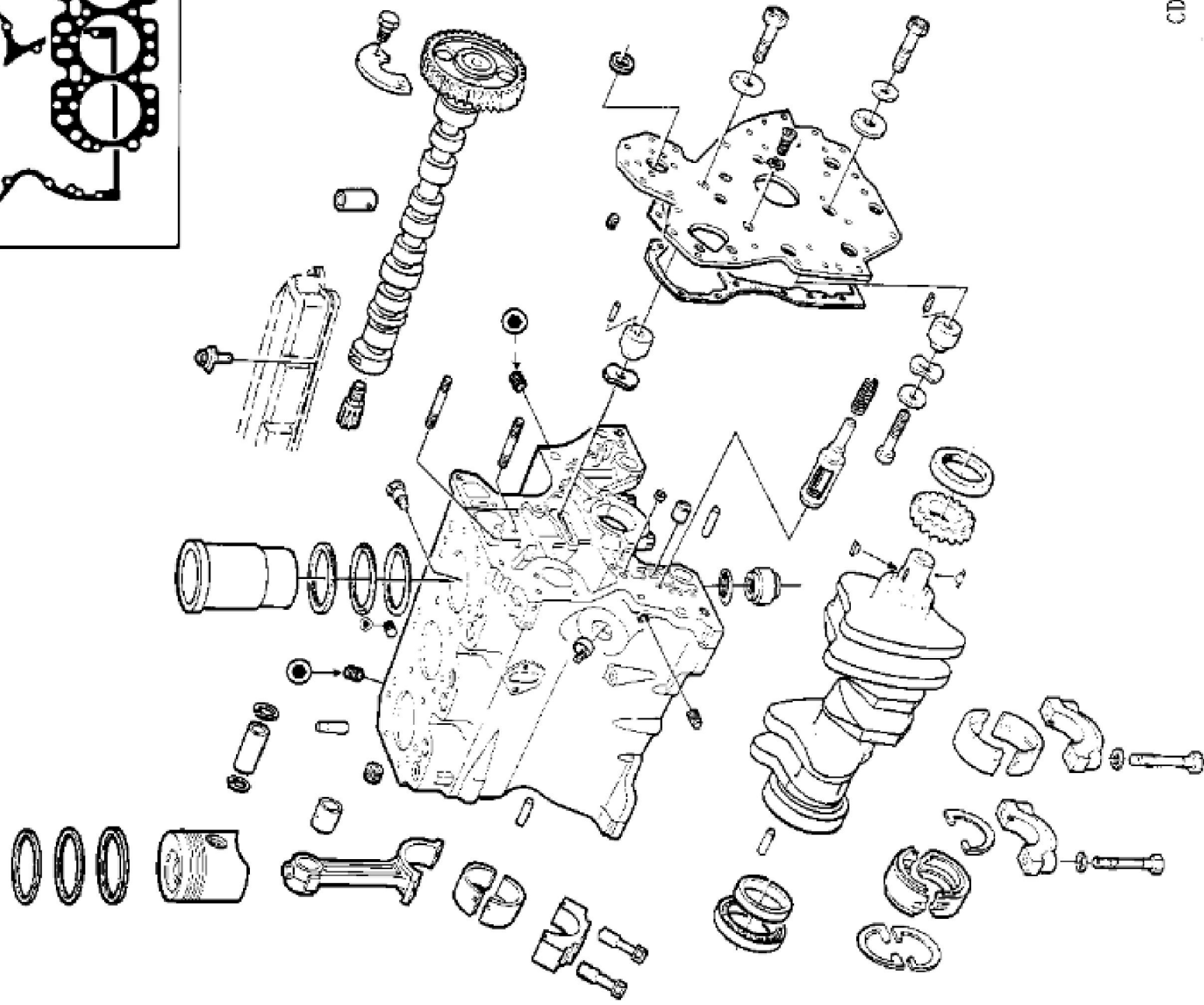
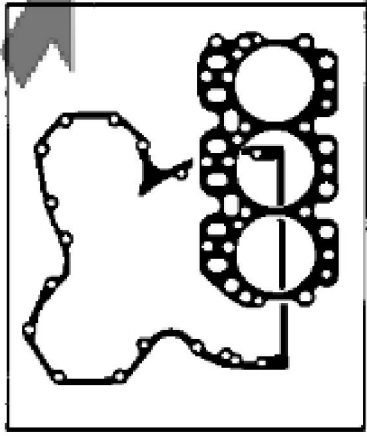
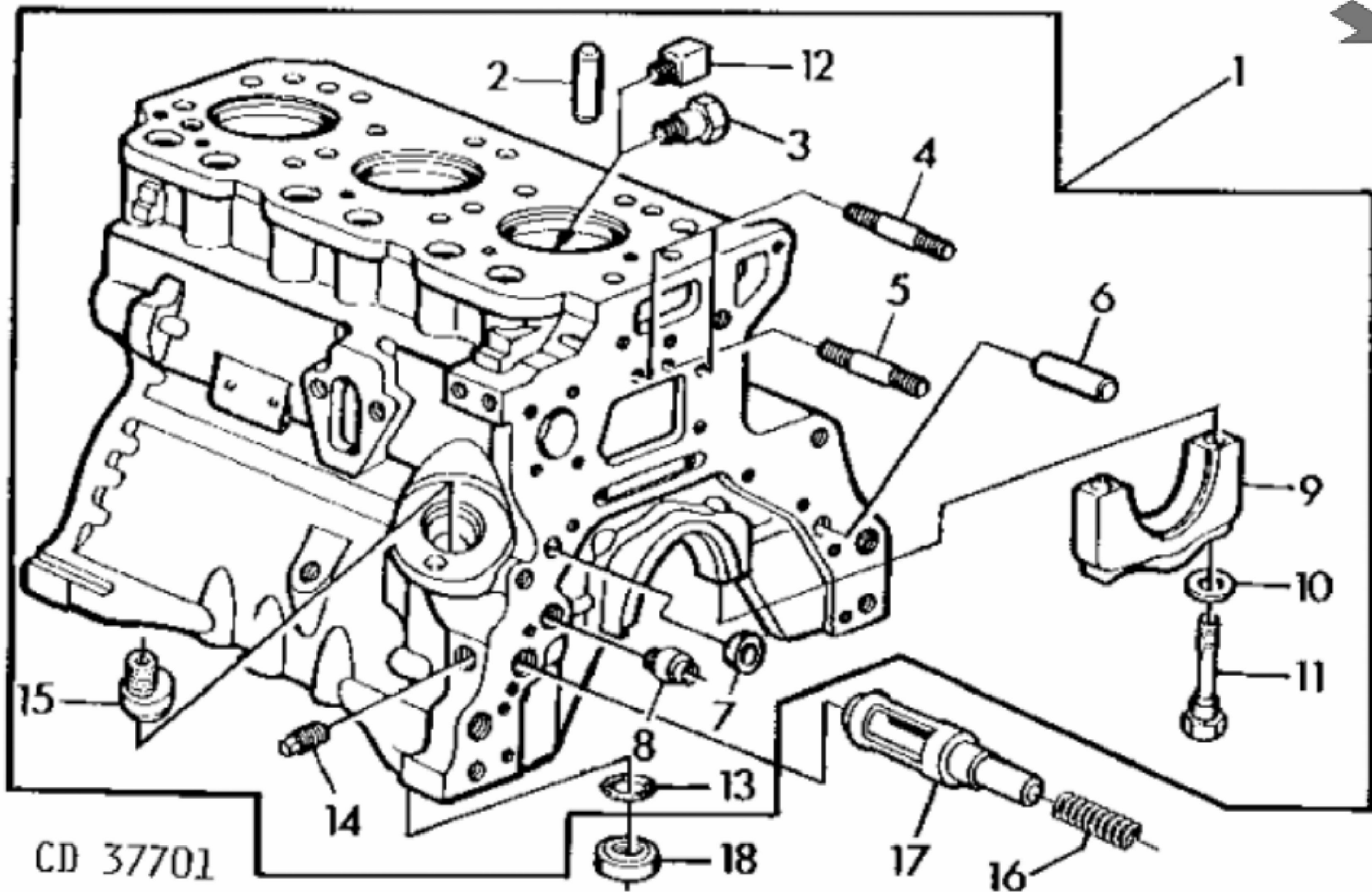


KEY	PART NO.	PART NAME	QTY	REMARKS	
1	DD12365	DIESEL ENGINE	AR	(ORDER RE19842)	

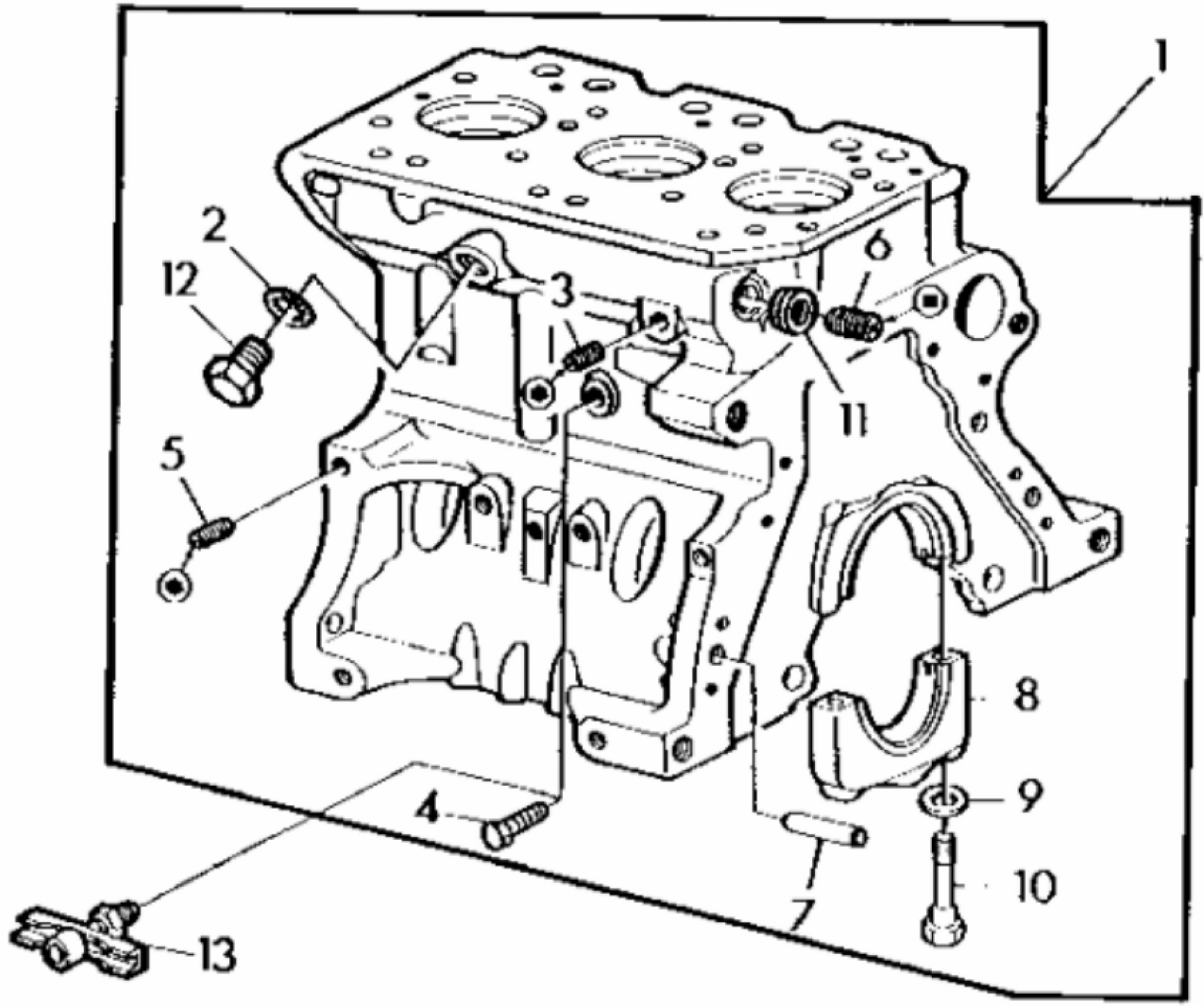


CD 37700

KEY	PART NO.	PART NAME	QTY	REMARKS	
1	RE19842	SHORT BLOCK ASSEMBLY	AR	(A) MARKED R80406	

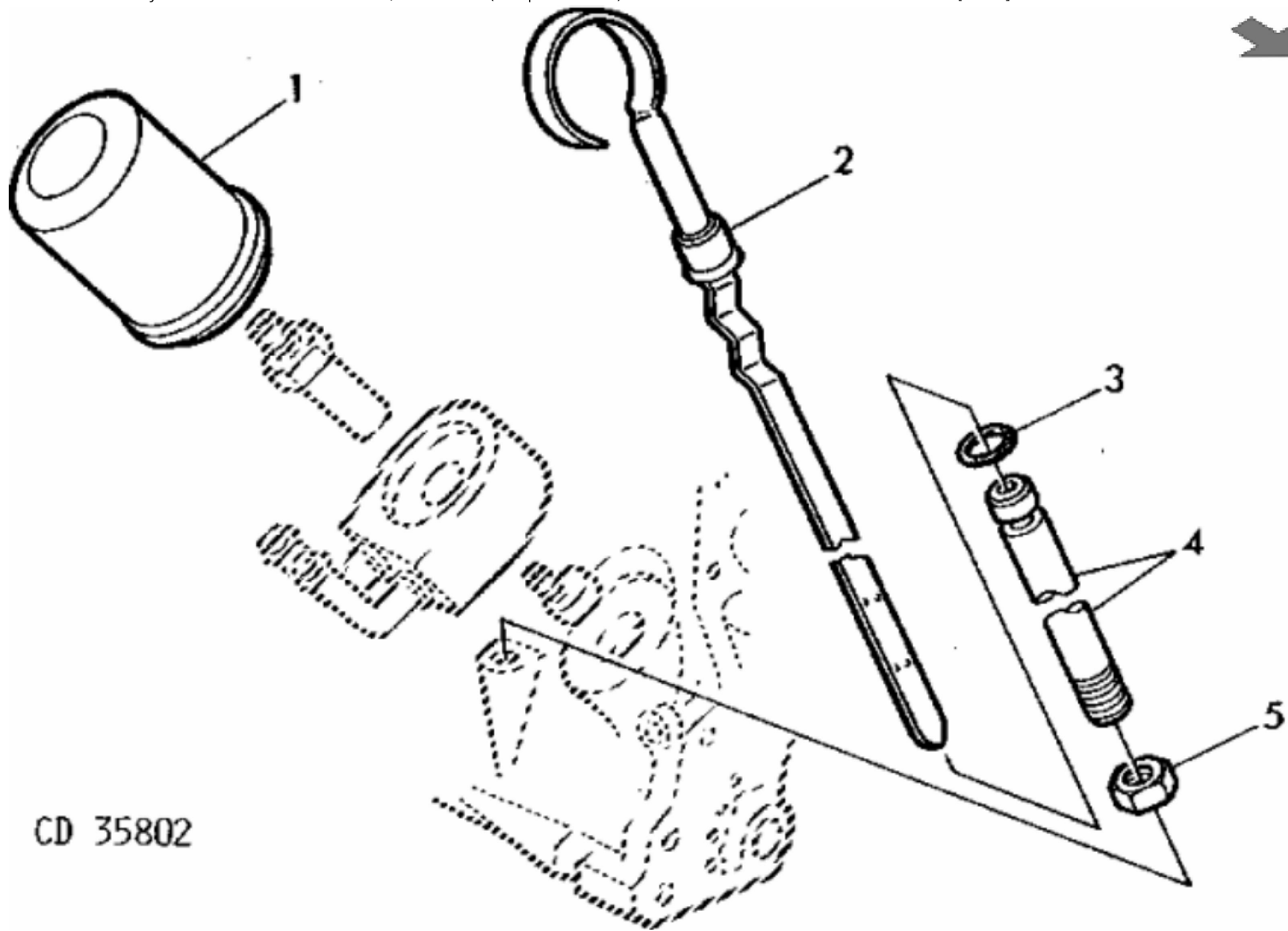


KEY	PART NO.	PART NAME	QTY	REMARKS
1	RE19841	CYLINDER BLOCK	1	MARKED R80406 MARKED R72965,AR64724 MARKED R55120 R72965, (SUB FOR AR97026)
2	A120R	DOWEL PIN	2	(SUB FOR R26241, THIS APPLICATION)
3	R54802	ORIFICE	3	
4	T33279	STUD	2	3/8"-16UNC
5	T25701	STUD	1	3/8"-16UNC
6	A4879R	DOWEL PIN	2	
7	T18891	PLUG	1	
8	R26493	BUSHING	1	
9	R65215	BEARING CAP	3	
10	T20168	WASHER	6	
11	T23474	CAP SCREW	6	
12	22H932	SET SCREW	AR	5/16"X3/8"
13	R75892	O-RING	1	
14	15H255	PIPE PLUG	1	3/8"
15	T23435	THREADED NIPPLE	1	
16	R46625	SPRING	1	
17	R73139	FLOW CONTROL HYD. VALVE	1	
18	R75893	FITTING	1	



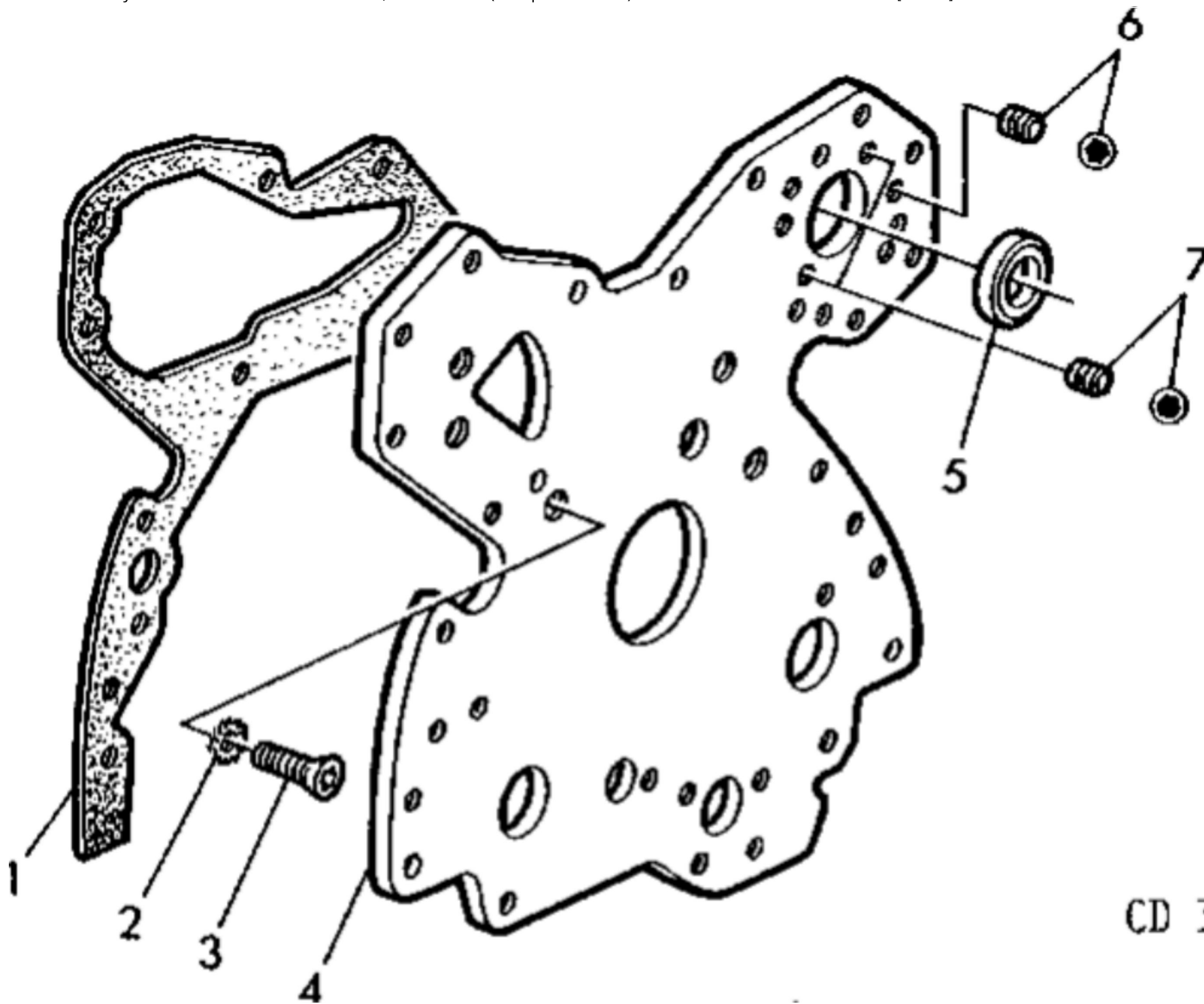
CD 37702

KEY	PART NO.	PART NAME	QTY	REMARKS
1	RE19841	CYLINDER BLOCK	1	MARKED R80406 MARKED R72965,AR64724 MARKED R55120 R72965, (SUB FOR AR97026)
2	U13639	O-RING	1	
3	15H275	PIPE PLUG	1	1/4"
4	R55233	PIPE PLUG	1	1/4"
5	15H558	PIPE PLUG	4	1/8", (USE WITH RE29217)
6	15H665	PIPE PLUG	AR	3/4"
6	15H562	PIPE PLUG	AR	1", (ORDER 15H616)
7	A120R	DOWEL PIN	2	
8	R79089	CAP	1	
9	T20168	WASHER	2	
10	T23474	CAP SCREW	2	
11	15H616	PIPE BUSHING	1	1"X3/4"
12	R39741	DRAIN PLUG	1	
13	AT13740	DRAIN VALVE	AR	



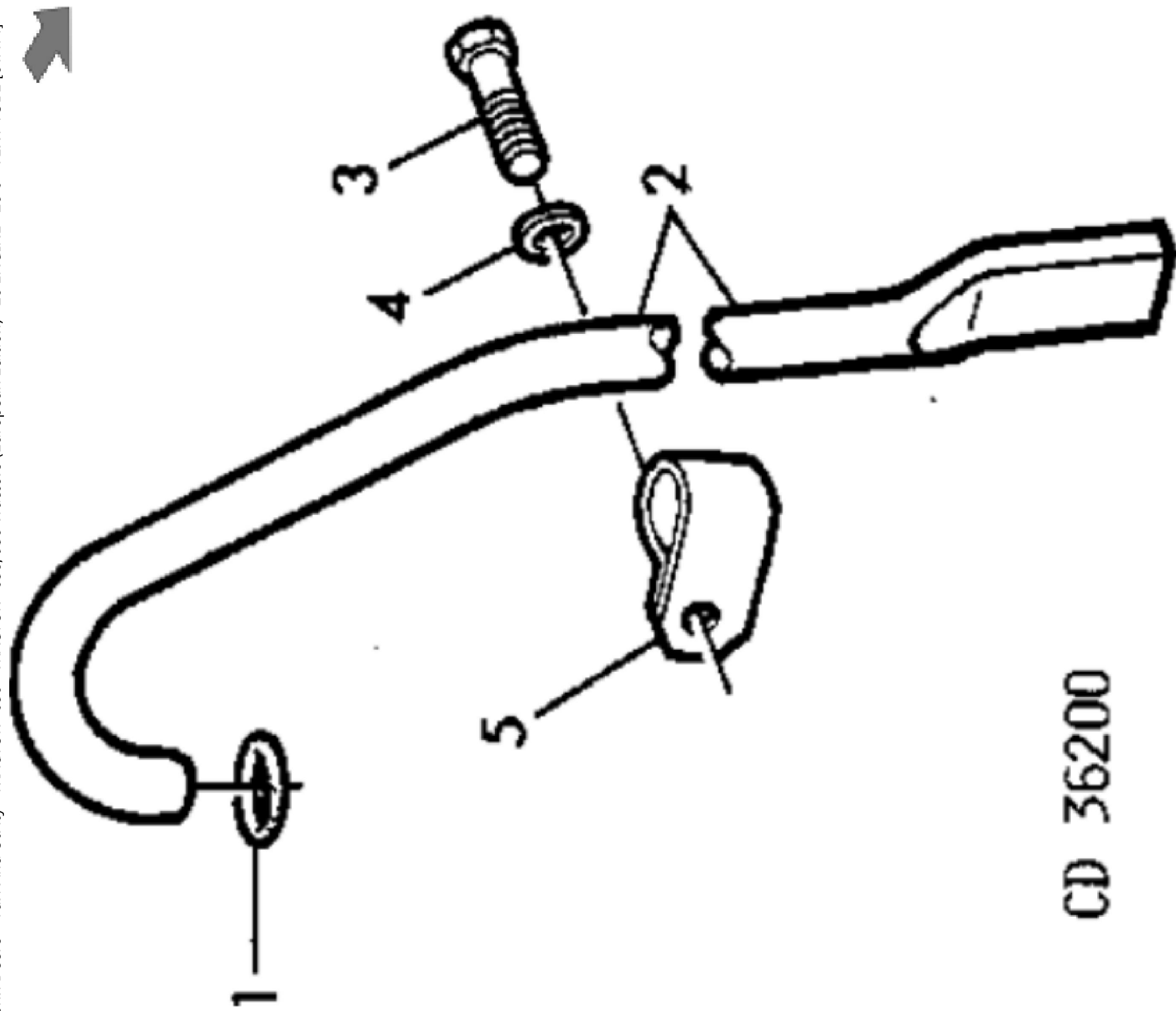
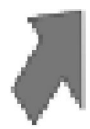
CD 35802

KEY	PART NO.	PART NAME	QTY	Engine Serial No.	REMARKS	
1	T19044	OIL FILTER	1			
2	AT21534	DIPSTICK	1		LGTH=270MM(10.63")	
3	R10093	O-RING	1			
4	R55299	DIPSTICK TUBE	1	____-280538	LGTH=59MM (2.32") (ORDER R10093 AND R65283)	
4	R65283	THREADED NIPPLE	1	280539-____	LGTH=85MM (3.35")	
5	14H826	NUT	1		1/2"	



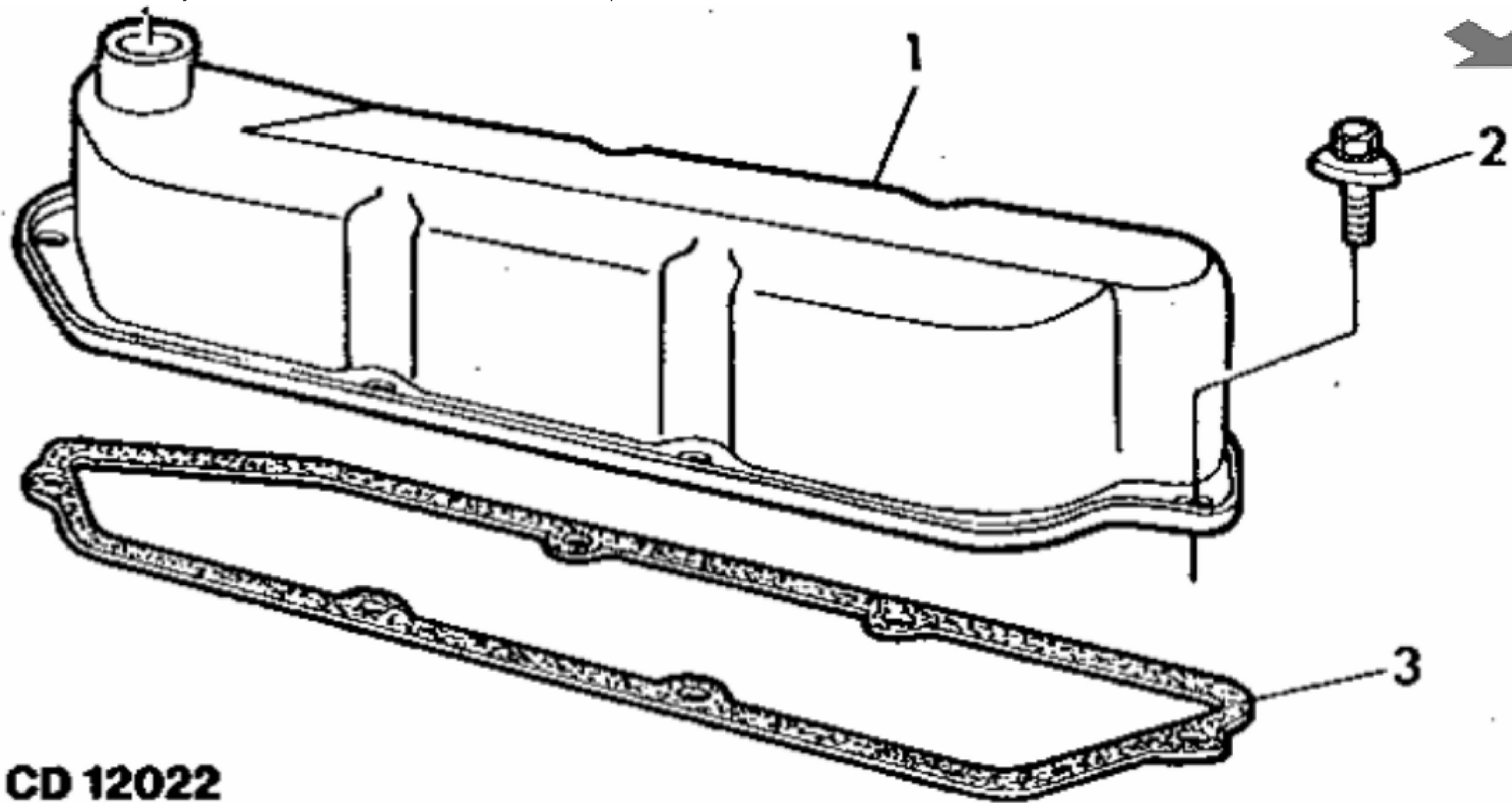
CD 35803

KEY	PART NO.	PART NAME	QTY	REMARKS	
1	R90648	GASKET	1	(SUB FOR R73140)	
2	12H324	WASHER	5	3/8"	
3	T20166	SCREW	5	3/8"X5/8"	
4	R79863	PLATE	1	AT29928, (ALSO ORDER (8) AT21191, (2) AT22919 AND R79854)	
5	R79854	WASHER	AR	O.D.=50MM (1.97")X I.D.=46MM (1.81")	
6	AT21191	SET SCREW	8	5/16"X0.380"	
7	AT22919	SET SCREW	2	3/8"X0.380"	



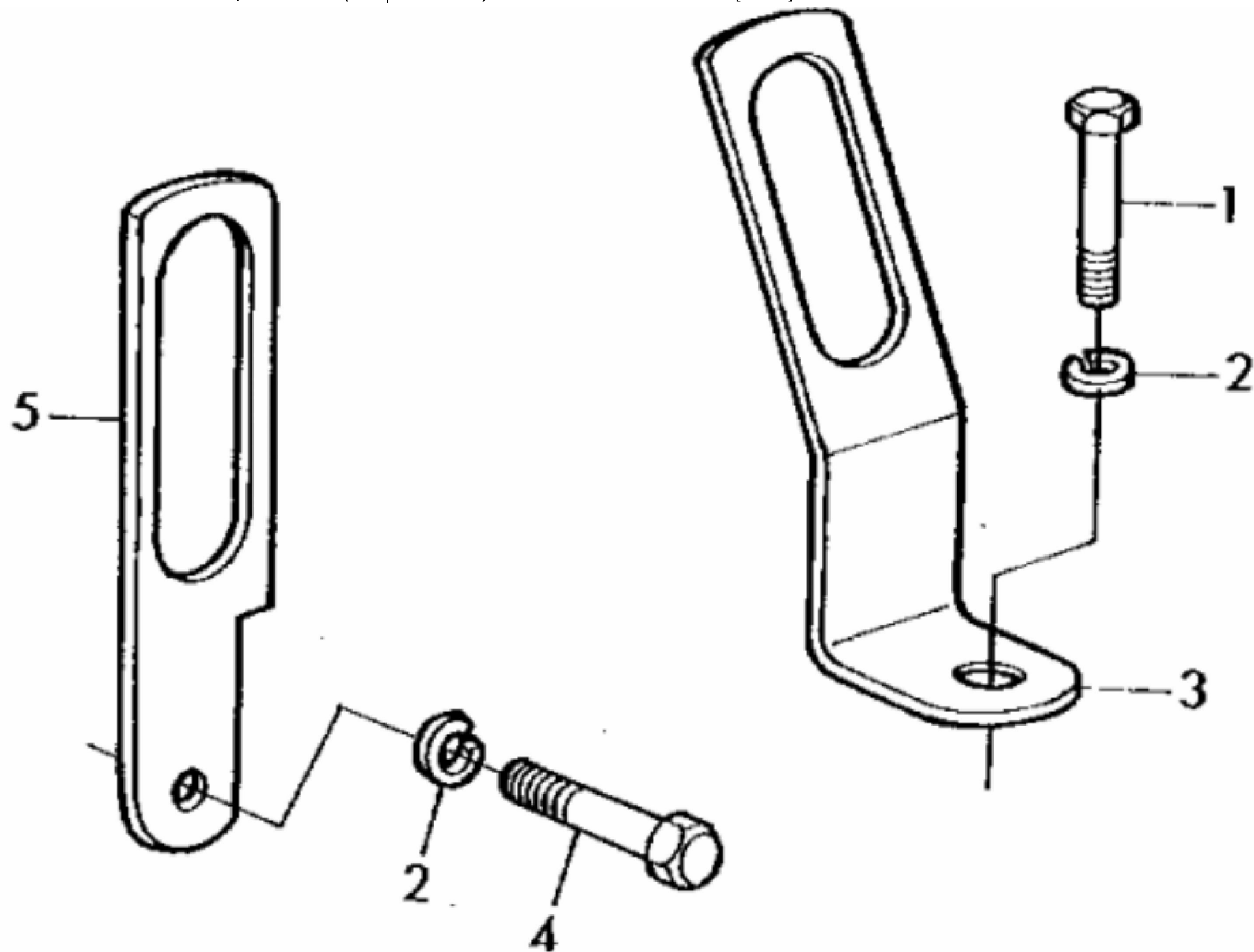
CD 36200

KEY	PART NO.	PART NAME	QTY	REMARKS	
1	R56463	O-RING	1	(SUB FOR R495R, THIS APPLICATION)	
2	R60890	LINE	1		
3	19H1813	CAP SCREW	1	5/16"X5/8"	
4	24H1685	WASHER	1	11/32"X3/4"X0.075"	
5	R40791	CLAMP	1		



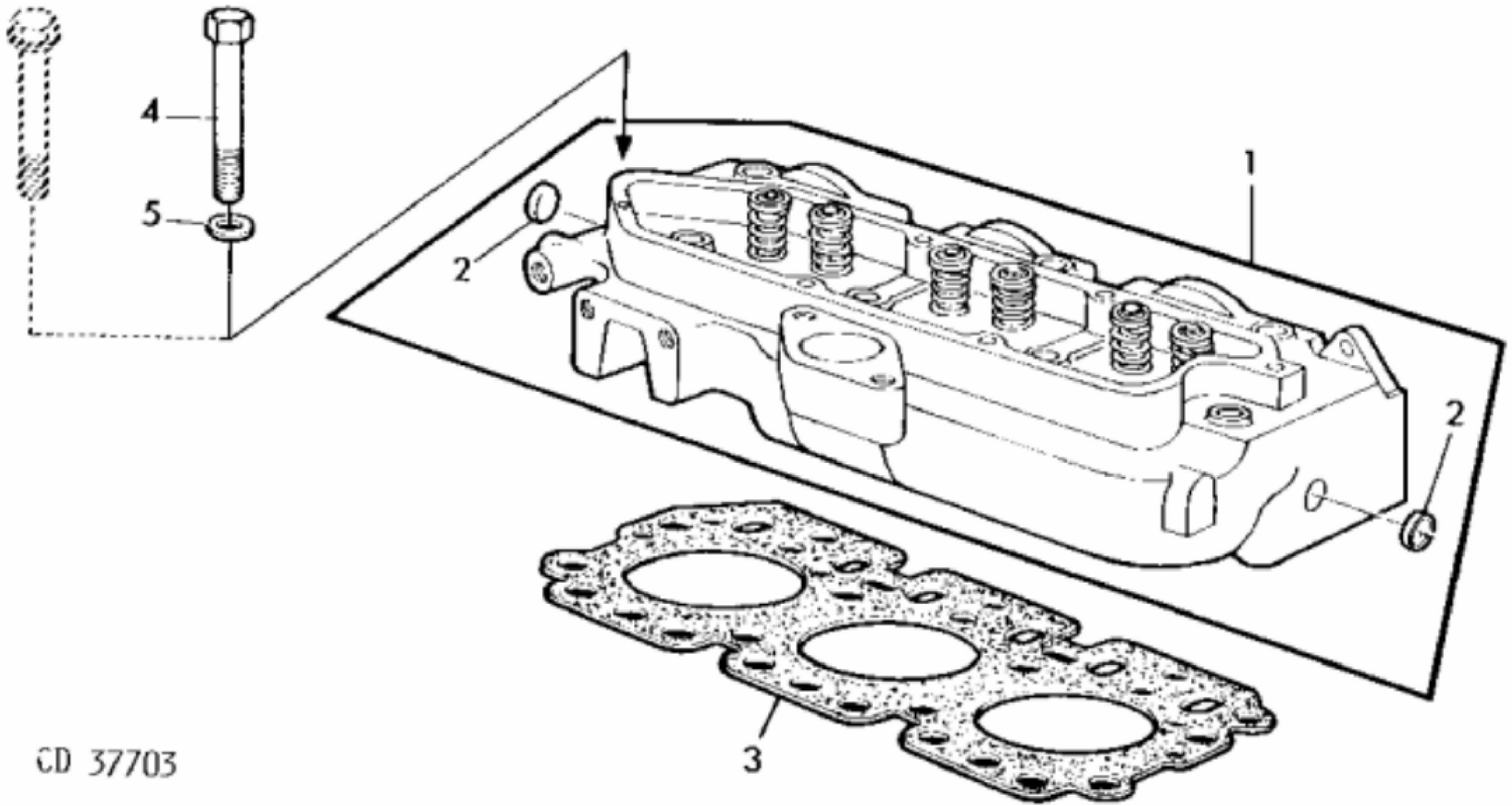
CD 12022

KEY	PART NO.	PART NAME	QTY	REMARKS	
1	AT18016	VALVE COVER	1		
2	AR100124	SCREW WITH WASHER	6	(SUB FOR AR45530)	
3	R68226	GASKET	1	(ORDER (6) AR100124 AND R75729) (SUB FOR T20111)	
3	R75729	GASKET	AR		



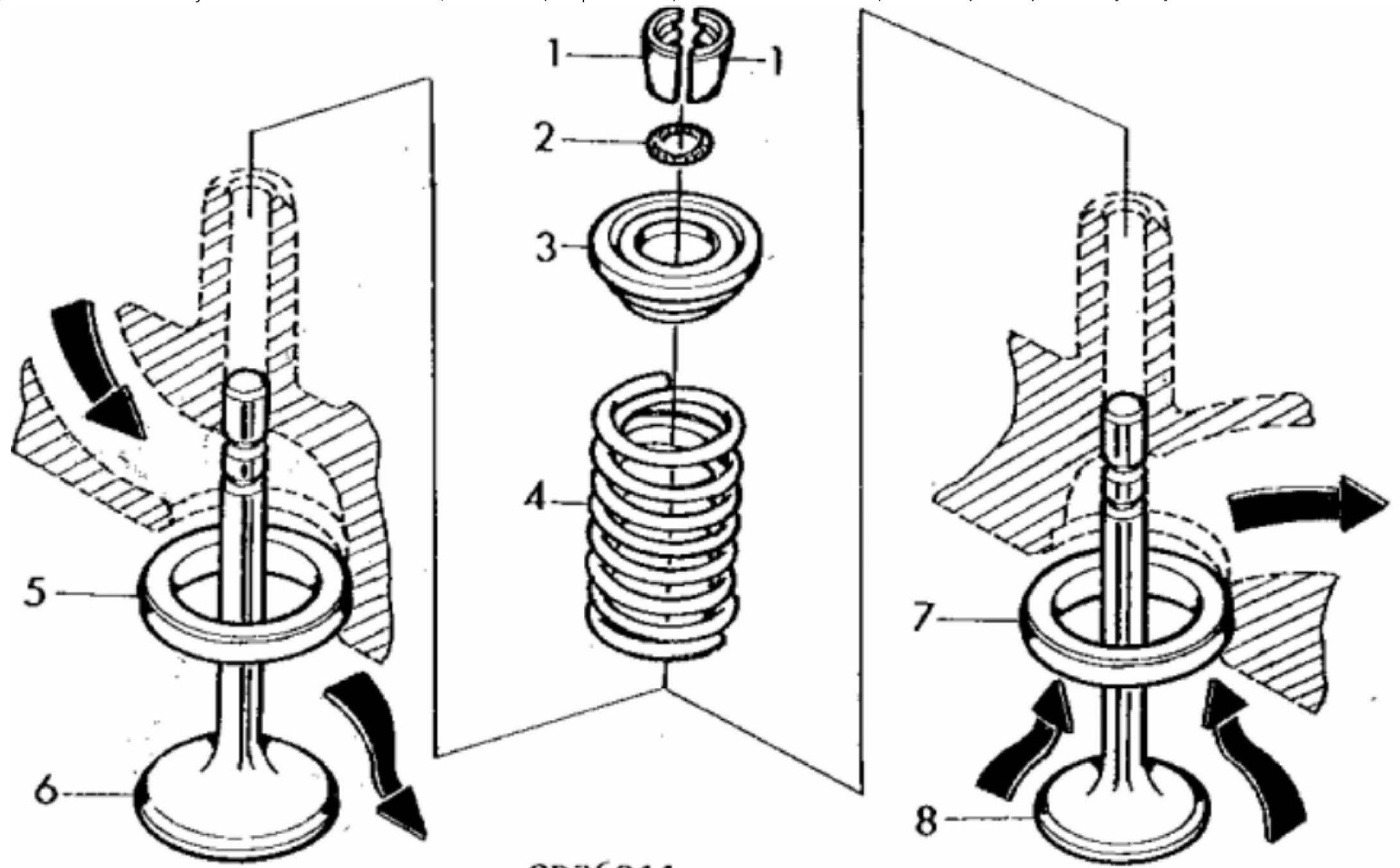
CD35674

KEY	PART NO.	PART NAME	QTY	REMARKS	
1	19H1792	CAP SCREW	1	1/2"X1",FRONT	
2	12H301	LOCK WASHER	2	1/2"	
3	R100074	SHACKLE	1	FRONT	
4	19H1895	CAP SCREW	1	1/2"X3/4",REAR	
5	R100075	SHACKLE	1	REAR	



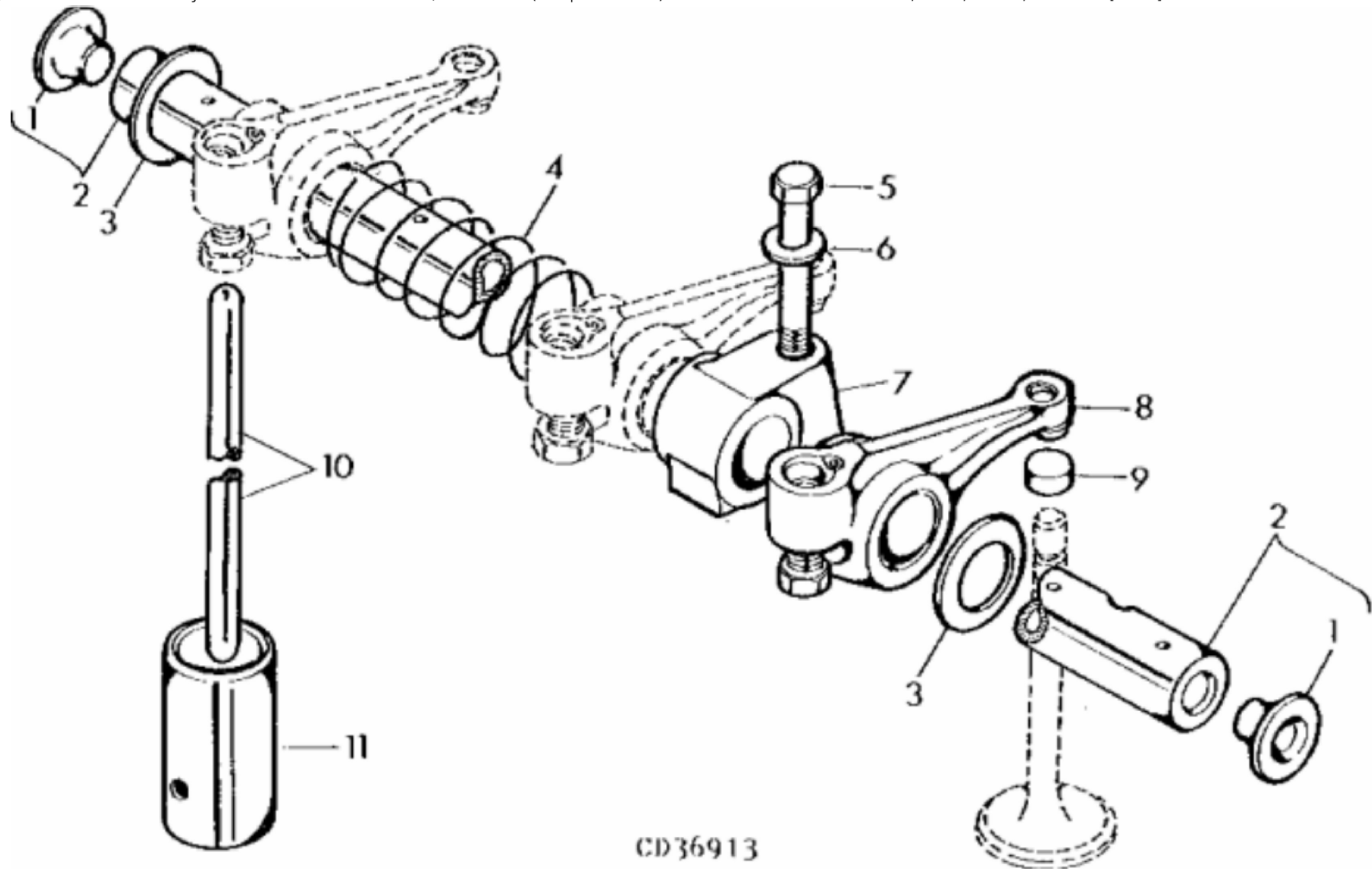
CD 37703

KEY	PART NO.	PART NAME	QTY	REMARKS	
1	AR70583	CYLINDER HEAD	1	MARKED R58686, (SUB FOR AR70581)	
2	A3910R	PLUG	2	O.D.=25,4MM (1")	
2	CD16284	PLUG	AR	O.D.=32,4MM (1.274")	
3	R97356	ENGINE CYLINDER HEAD GASKET	1	(SUB FOR R59447 OR R80241)	
4	R53223	CAP SCREW	14	12,7MMX108MM (0.5"X4.25")	
5	T20168	WASHER	14		



CD36911

KEY	PART NO.	PART NAME	QTY	REMARKS
1	T20077	RETAINER	12	
2	R87627	O-RING	AR	(ALSO ORDER R41412)
3	R41412	CAP	6	(SUB FOR T20176)
4	R26125	SPRING	6	
5	R97779	VALVE SEAT INSERT	AR	(SUB FOR CD14725)
6	R79623	INTAKE VALVE	3	O.D.=STANDARD, (SUB FOR R52251)
6	R79628	INTAKE VALVE	AR	O.D.=+0,076MM (0.003") (SUB FOR R57332)
6	R79629	INTAKE VALVE	AR	O.D.=+0,381MM (0.015") (SUB FOR R57334)
6	R79630	INTAKE VALVE	AR	O.D.=+0,762MM (0.030") (SUB FOR R57336)
7	R97778	VALVE SEAT INSERT	3	(SUB FOR CD13979)
8	R79624	EXHAUST VALVE	3	O.D.=STANDARD, (SUB FOR R52252)
8	R79625	EXHAUST VALVE	AR	O.D.=+0,076MM (0.003") (SUB FOR R57333)
8	R79626	EXHAUST VALVE	AR	O.D.=+0,381MM (0.015") (SUB FOR R57335)
8	R79627	EXHAUST VALVE	AR	O.D.=+0,762MM (0.030") (SUB FOR R57337)



CD36913

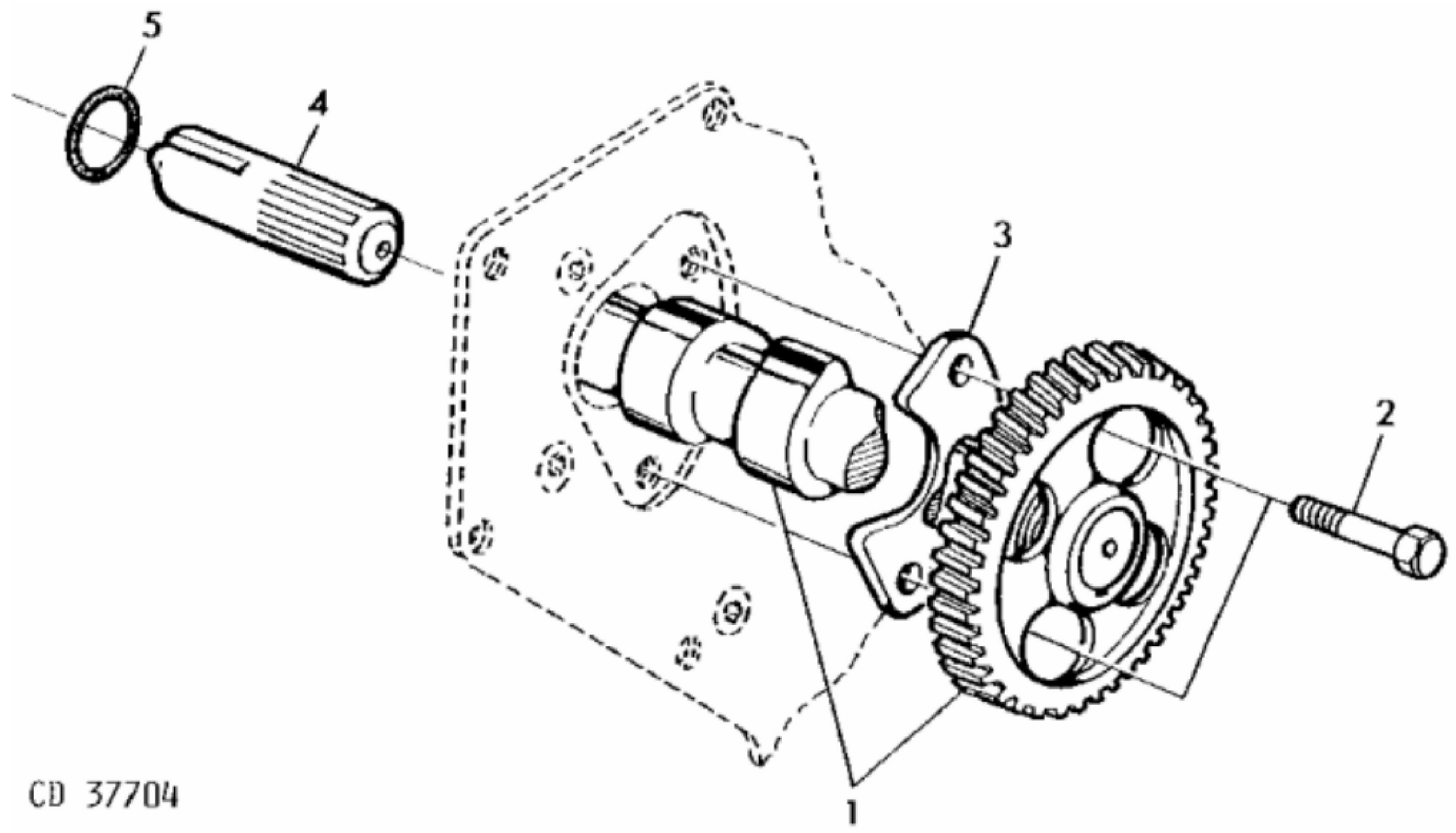
KEY	PART NO.	PART NAME	QTY	REMARKS	
1	R54565	PLUG	2		
2	DD12119	ROCKER ARM SHAFT	1		
3	T20316	WASHER	2		
4	T20314	SPRING	2		
5	19H1733	CAP SCREW	3	3/8"X2-1/2"	
6	R42729	WASHER	3	(SUB FOR T23594)	
7	T20315	SUPPORT	3		
8	RE19031	ROCKER ARM	6	(SUB FOR AT31250)	
9	T20129	CAP	6		
10	T20310	PIN	6		
11	T20073	TAPPET	6		

Thank you very much for your reading. Please Click Here. Then Get COMPLETE MANUAL. NO WAITING



NOTE:

If there is no response to click on the link above, please download the PDF document first and then click on it.



CD 37704