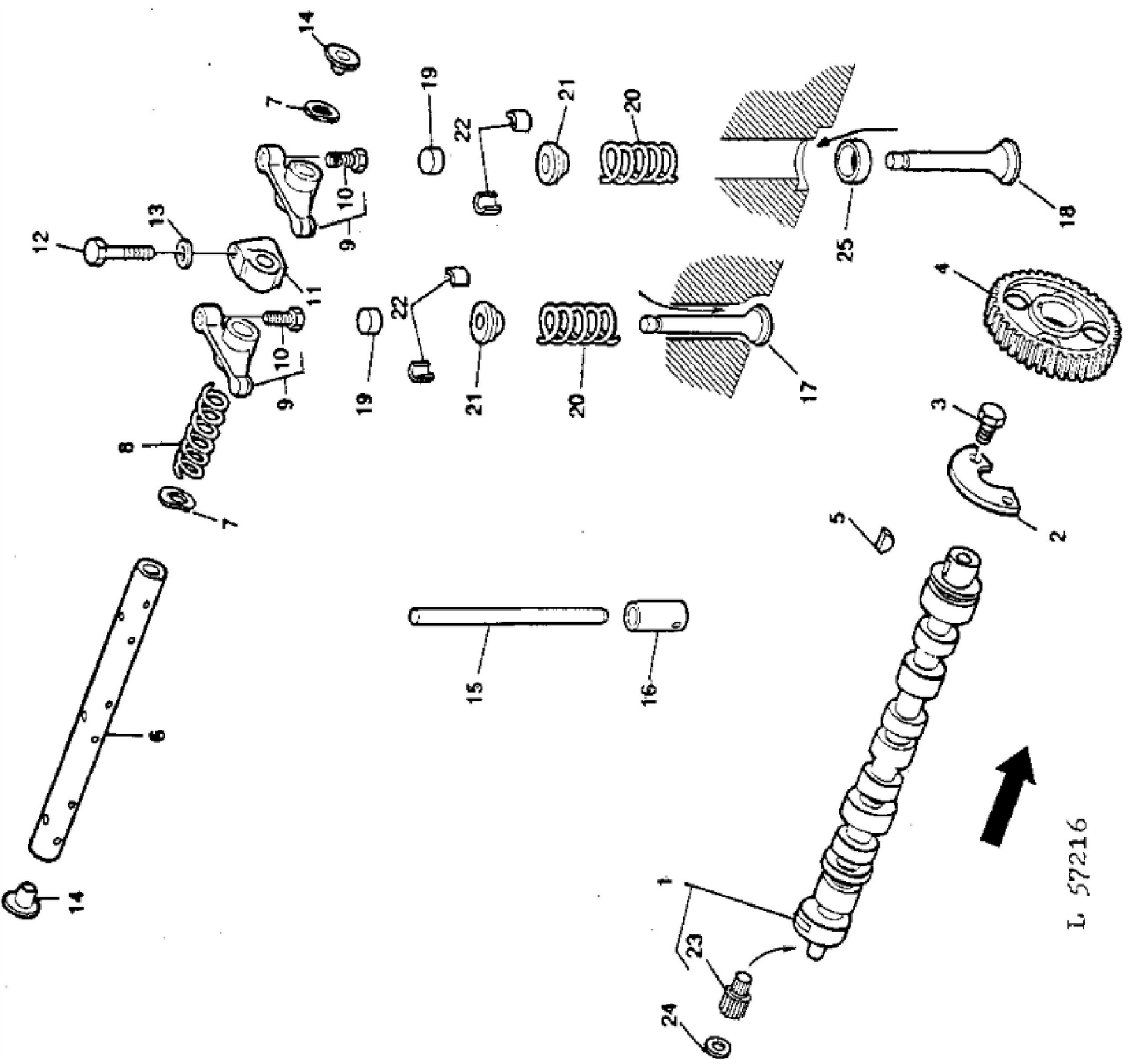


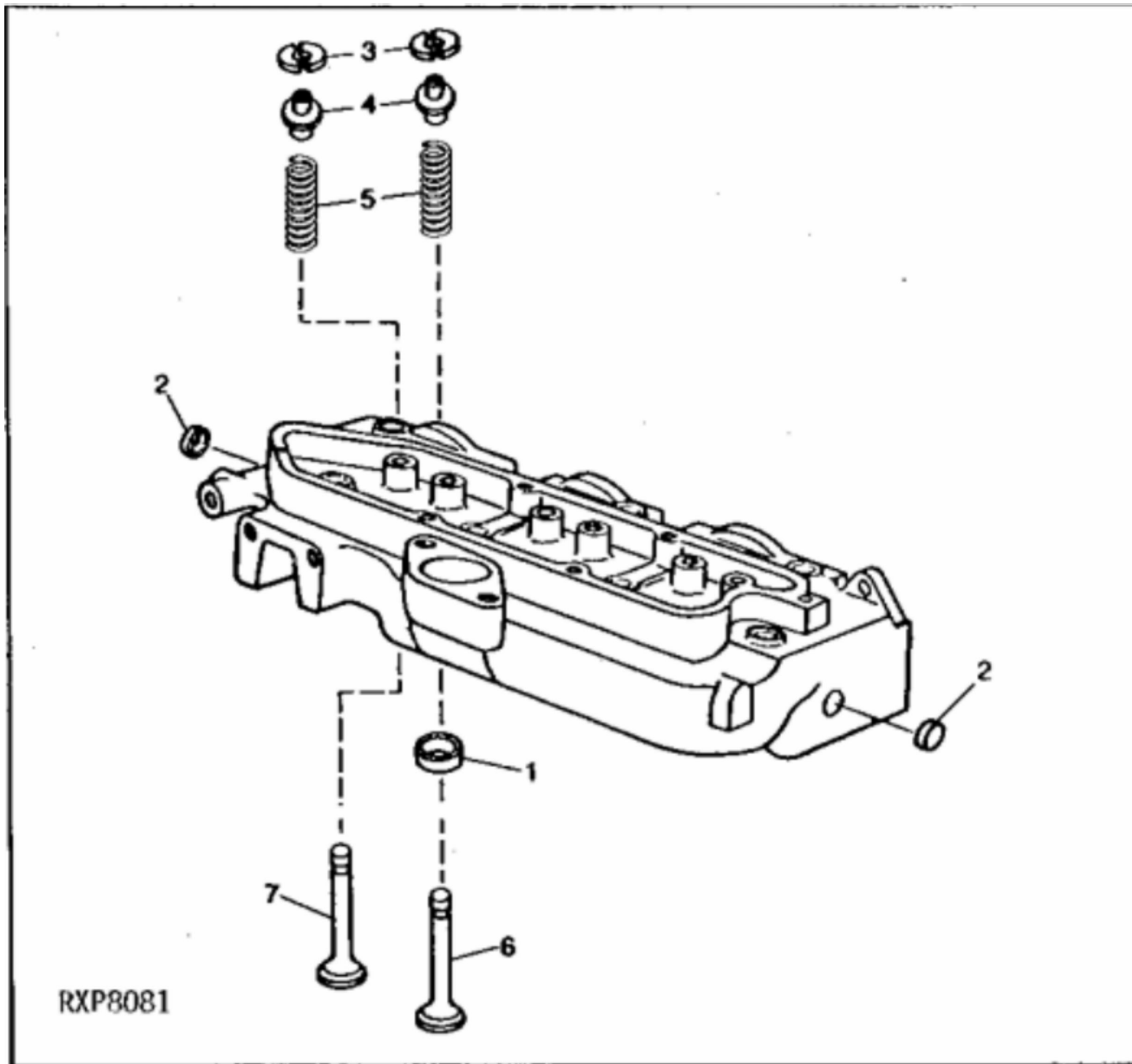
RWP4960

KEY	PART NO.	PART NAME	QTY	REMARKS
1	T20074	TUBE	1	
2	R40791	CLAMP	1	
3	24H1685	WASHER	1	11/32" X 47/64" X 0.083"
4	19H1813	CAP SCREW	1	5/16" X 5/8"
5	AR45530	SCREW WITH WASHER	6	(SUB AR103811)
6	AT18016	VALVE COVER	1	
7	T24151	CLAMP	1	
8	R75729	GASKET	1	(SUB FOR T20111 OR AR102261)
9	N102039	PLUG	2	(SUB FOR A3910R)
10	AR70582	CYLINDER HEAD	1	(MARKED R58685) (SUB FOR AT21799) (SUB FOR AT21799) (SUB AR70583)
10	AR70583	CYLINDER HEAD	1	(MARKED R58686) (SUB FOR RE56306 AND R97356)
11	R98460	ENGINE CYLINDER HEAD GASKET	1	(USE WITH AR70583)
11	R97356	ENGINE CYLINDER HEAD GASKET	1	(USE WITH AR70582)
12	T20168	WASHER	14	
13	R53223	CAP SCREW	14	
14	R495R	O-RING	1	

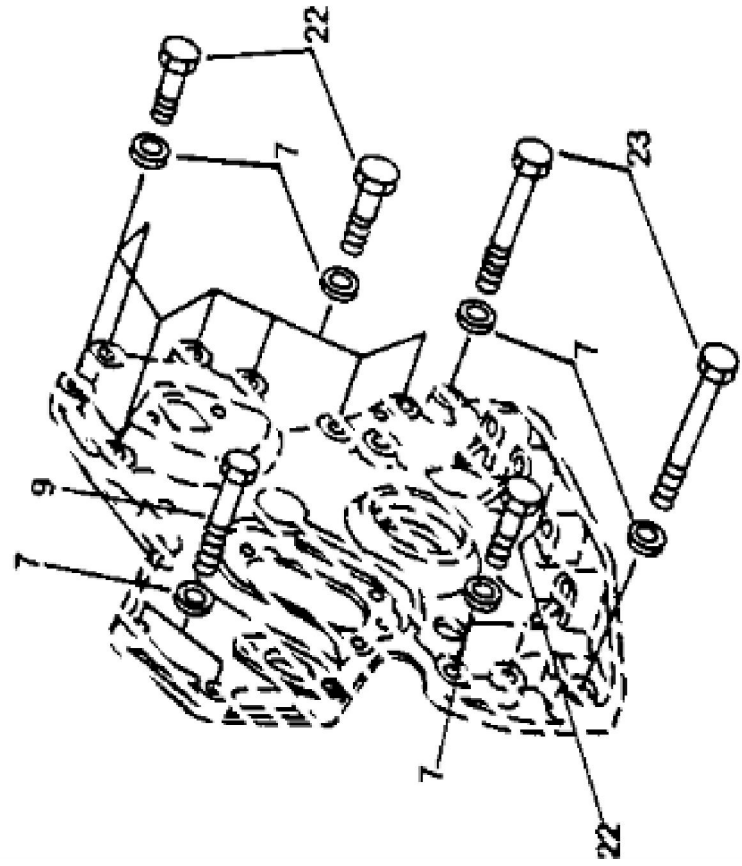
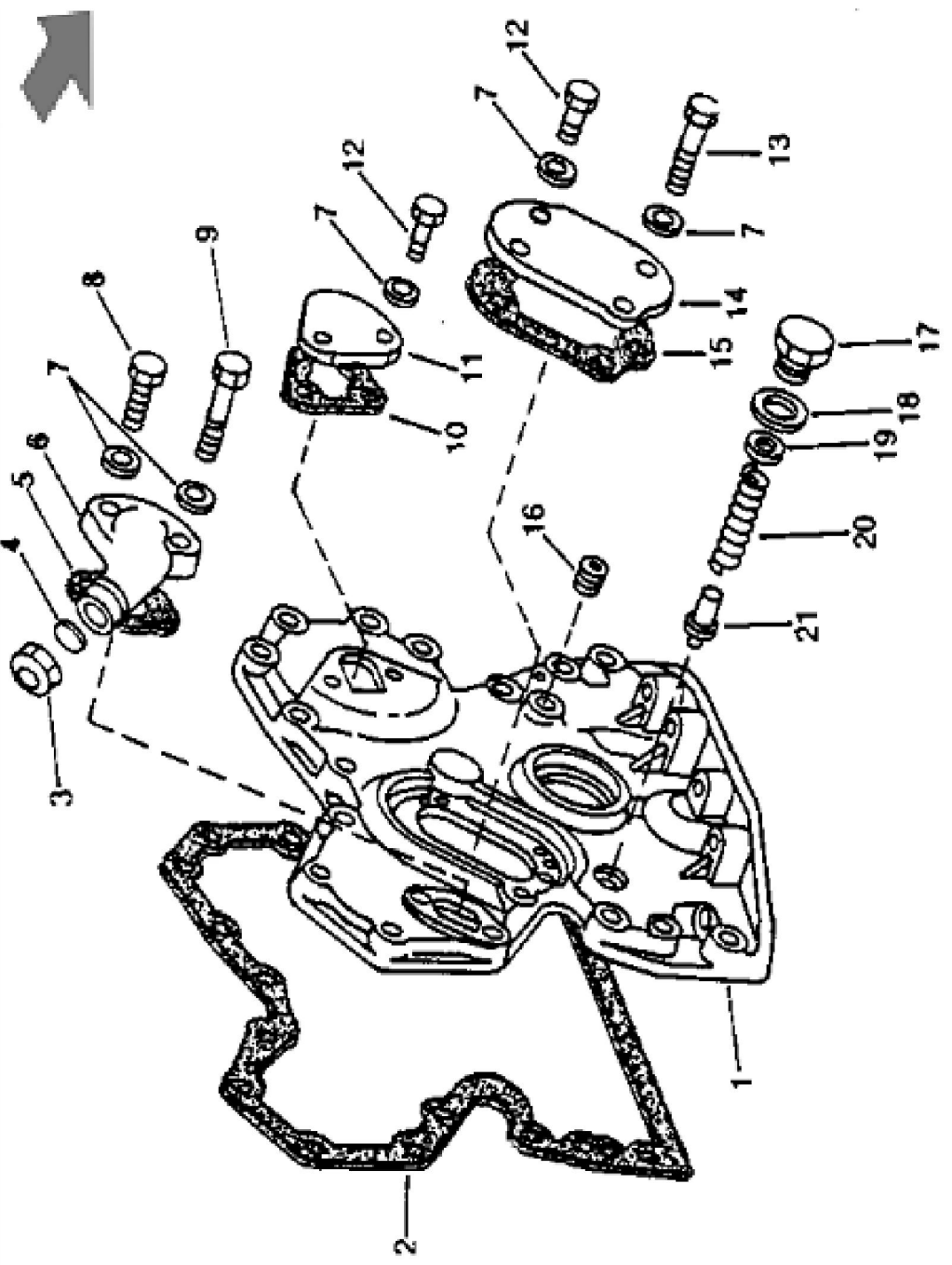


L 57216

KEY	PART NO.	PART NAME	QTY	REMARKS
1	AT18053	CAMSHAFT	1	(MARKED T20016 OR T20015) (SUB FOR AT18055 OR R81516) (SUB R82819 AND R81513)
2	T20072	PLATE	1	
3	19H1731	CAP SCREW	2	3/8" X 1"
4	T20070	HELICAL GEAR	1	(48 TEETH)
5	T28041	SHAFT KEY	1	
6	T23468	ROCKER ARM SHAFT	1	(SUB DD12119 AND (2) R54565)
7	T20316	WASHER	2	
8	T20314	SPRING	2	
9	RE19031	ROCKER ARM	6	(SUB FOR AR103769 OR AT31250)
10	SCREW	6	(ORDER RE19031) (SUB FOR T23521 OR T32213)
11	T20315	SUPPORT	3	
12	19H1733	CAP SCREW	3	3/8" X 2-1/2"
13	24M7106	WASHER	3	10 X 18 X 2.500 MM
14	T23469	PLUG	2	(USE WITH T23468)
14	R54565	PLUG	2	(USE WITH DD12119)
15	T20310	PIN	6	(SUB R82896)
16	T20073	TAPPET	6	
17	R52251	INTAKE VALVE	3	(SUB R79623)
17	R57332	INTAKE VALVE	3	0.076MM (.003") OVERSIZE STEM, (SUB R79628)
17	R57334	INTAKE VALVE	3	0.381MM (.015") OVERSIZE STEM, (SUB R79629)
17	R57336	INTAKE VALVE	3	0.762MM (.030") OVERSIZE STEM, (SUB R79630)
18	R52252	EXHAUST VALVE	3	(SUB R79624)
18	R57333	EXHAUST VALVE	3	0.076MM (.003") OVERSIZE STEM, (SUB R79625)
18	R57335	EXHAUST VALVE	3	0.381MM (.015") OVERSIZE STEM, (SUB R79626)
18	R57337	EXHAUST VALVE	3	0.762MM (.030") OVERSIZE STEM, (SUB R79627)
19	T20129	CAP	6	
20	R26125	SPRING	6	
21	T20176	RETAINER	6	(SUB R41412)
22	T20077	RETAINER	12	
23	T20071	DRIVE SHAFT	1	SPEED HOUR METER, (USE WITH T20016 OR T20015) (NOT AS ILLUSTRATED)
23	R81513	DRIVE SHAFT	1	(USE WITH R81516 OR R82819)
24	T20304	WASHER	1	
25	CD13979	VALVE SEAT INSERT	3	

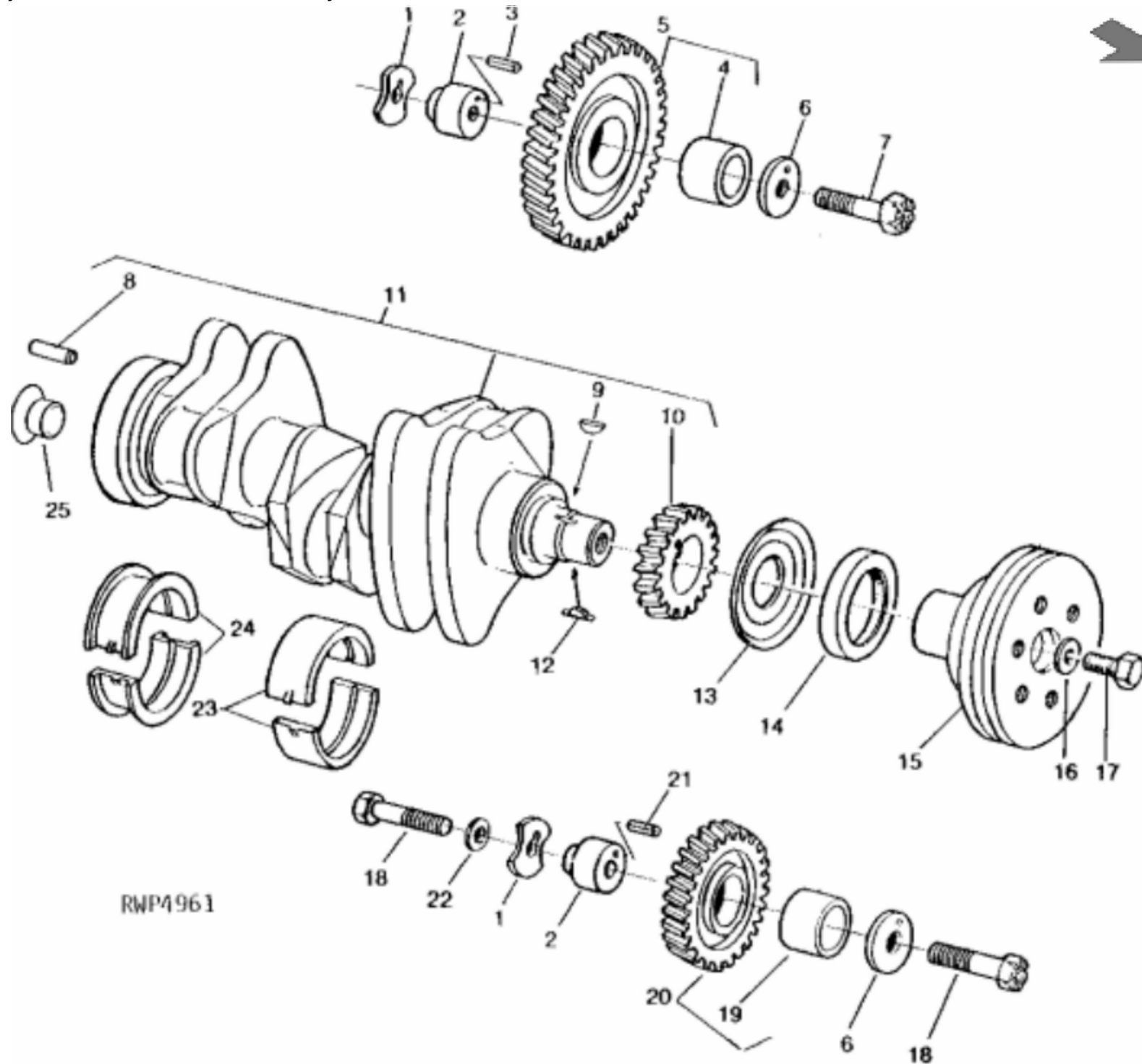


KEY	PART NO.	PART NAME	QTY	REMARKS	
1	R51734	VALVE SEAT INSERT	3		
2	CD16284	PLUG	2		
3	T20077	RETAINER	12		
4	R41412	CAP	6	(SUB FOR T20176)	
5	R26125	SPRING	6		
6	R79624	EXHAUST VALVE	3		
7	R79623	INTAKE VALVE	3		
8	RE56306	CYLINDER HEAD	1	(MARKED R58686) (SUB FOR AR70583)	

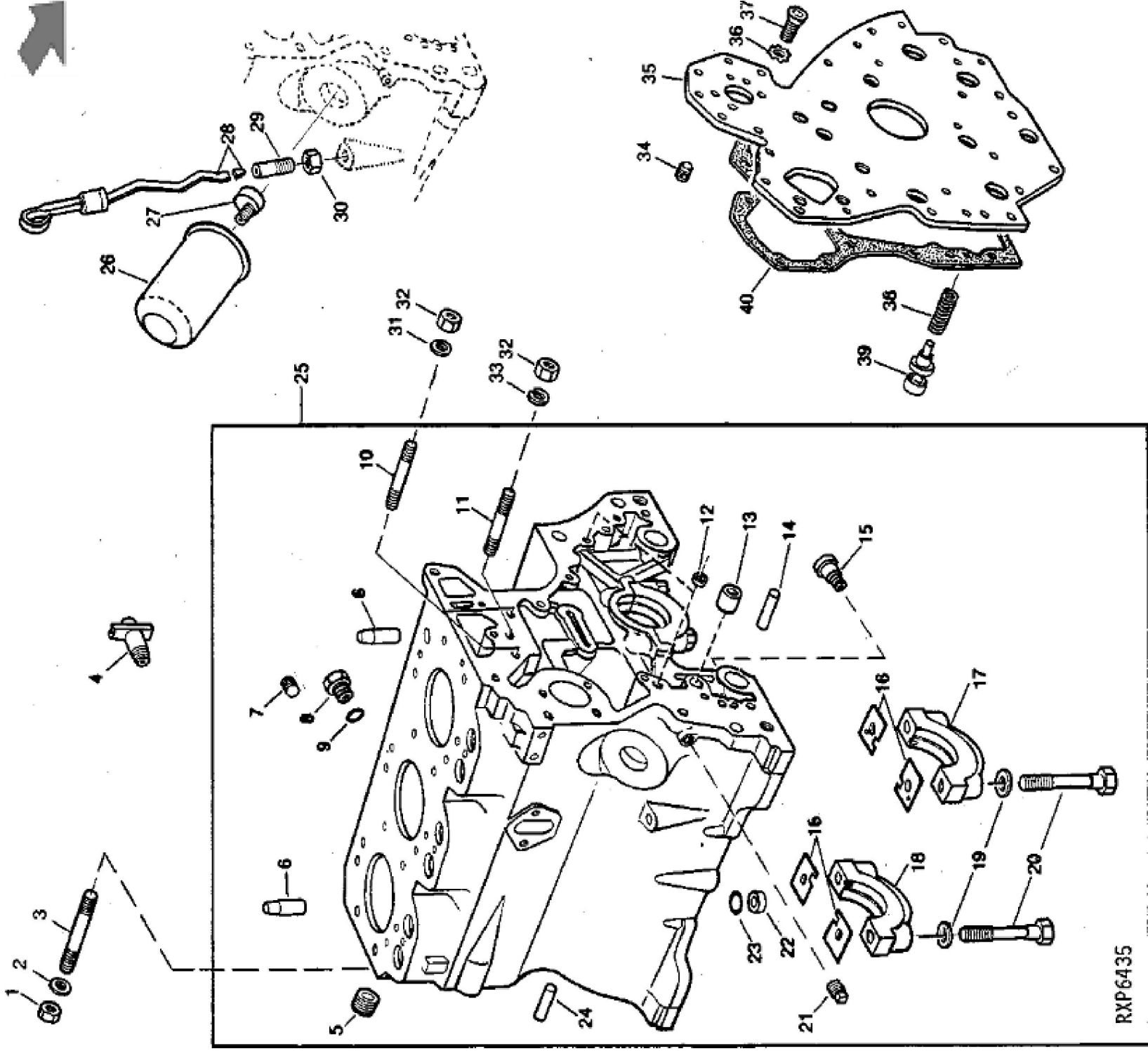


RWP4104

KEY	PART NO.	PART NAME	QTY	REMARKS
1	AR58196	COVER	1	
2	T20155	GASKET	1	
3	T20294	CAP	1	
4	T20328	GASKET	1	
5	T20336	GASKET	1	
6	T23614	FILLER NECK	1	
7	24M7106	WASHER	21	10 X 18 X 2.500 MM
8	19H2665	CAP SCREW	1	3/8" X 1-5/8"
9	19H2128	CAP SCREW	3	3/8" X 3"
10	R69260	GASKET	1	(SUB FOR T20364)
11	T20362	COVER	1	(SUB R126041)
12	19H2284	CAP SCREW	5	3/8" X 7/8"
13	19H1726	CAP SCREW	1	3/8" X 2-1/4"
14	T20272	COVER	1	
15	T20273	GASKET	1	
16	15H275	PIPE PLUG	1	1/4"
17	T27657	FITTING PLUG	1	
18	A4827R	WASHER	1	
19	24H1290	WASHER	AR	21/64" X 3/4" X 0.035"
20	T27658	SPRING	1	
21	R51516	VALVE	1	(SUB R83169)
22	19H1801	CAP SCREW	9	3/8" X 2"
23	19H1733	CAP SCREW	2	3/8" X 2-1/2"

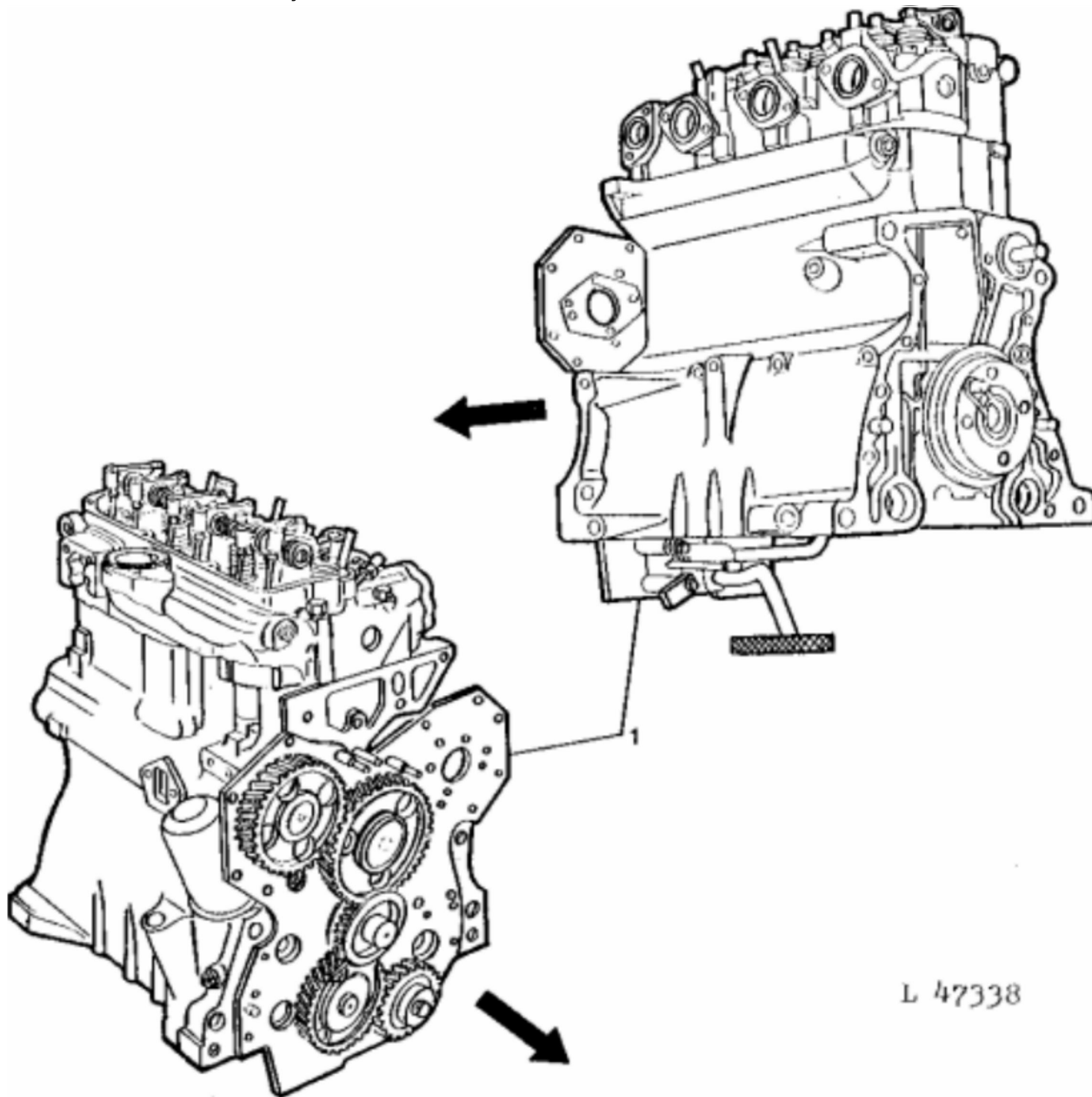


KEY	PART NO.	PART NAME	QTY	REMARKS
1	T26324	THRUST WASHER	2	INNER
2	T26323	SHAFT	2	(SUB R109863, P42337 AND 19H3011)
3	34H283	SPRING PIN	1	3/16" X 1-1/8"
4	T20034	BUSHING	1	
5	AR91660	GEAR	1	UPPER, (SUB FOR AT18009)
6	T26326	THRUST WASHER	2	OUTER
7	T26327	SCREW	1	
8	T26565	DOWEL PIN	1	
9	26H72	SHAFT KEY	1	1/8" X 5/8"
10	T20094	HELICAL GEAR	1	
11	AT18031	CRANKSHAFT	1	
12	T23604	SHAFT KEY	1	
13	T20046	OIL SLINGER	1	
14	AT21608	SEAL	1	(SUB AR67942)
15	T25366	PULLEY	1	(SUB R59915)
16	T20217	WASHER	1	
17	19H1721	CAP SCREW	1	1/2" X 1-1/2"
18	T26325	SCREW	2	
19	T26321	BUSHING	1	
20	AT24252	GEAR	1	LOWER
21	34H286	SPRING PIN	1	3/16" X 1-1/2"
22	24H1890	WASHER	1	19/32" X 1" X 1/4"
23	AT21140	BEARING	3	STD PLAIN (2 HALVES)
23	AT21108	BEARING	3	0.05MM (.002") U.S. PLAIN (2 HALVES)
23	AT21110	BEARING	3	0.25MM (.010") U.S. PLAIN (2 HALVES)
23	AT21112	BEARING	3	0.51MM (.020") U.S. PLAIN (2 HALVES)
23	AT21114	BEARING	3	0.76MM (.030") U.S. PLAIN (2 HALVES)
24	AT21139	BEARING	1	STD (2 HALVES)
24	AT21130	BEARING	1	0.05MM (.002") U.S. (2 HALVES)
24	AT21132	BEARING	1	0.25MM (.010") U.S. (2 HALVES)
24	AT21134	BEARING	1	0.51MM (.020") U.S. (2 HALVES)
24	AT21136	BEARING	1	0.76MM (.030") U.S (2 HALVES)
25	T20445	PLUG	1	



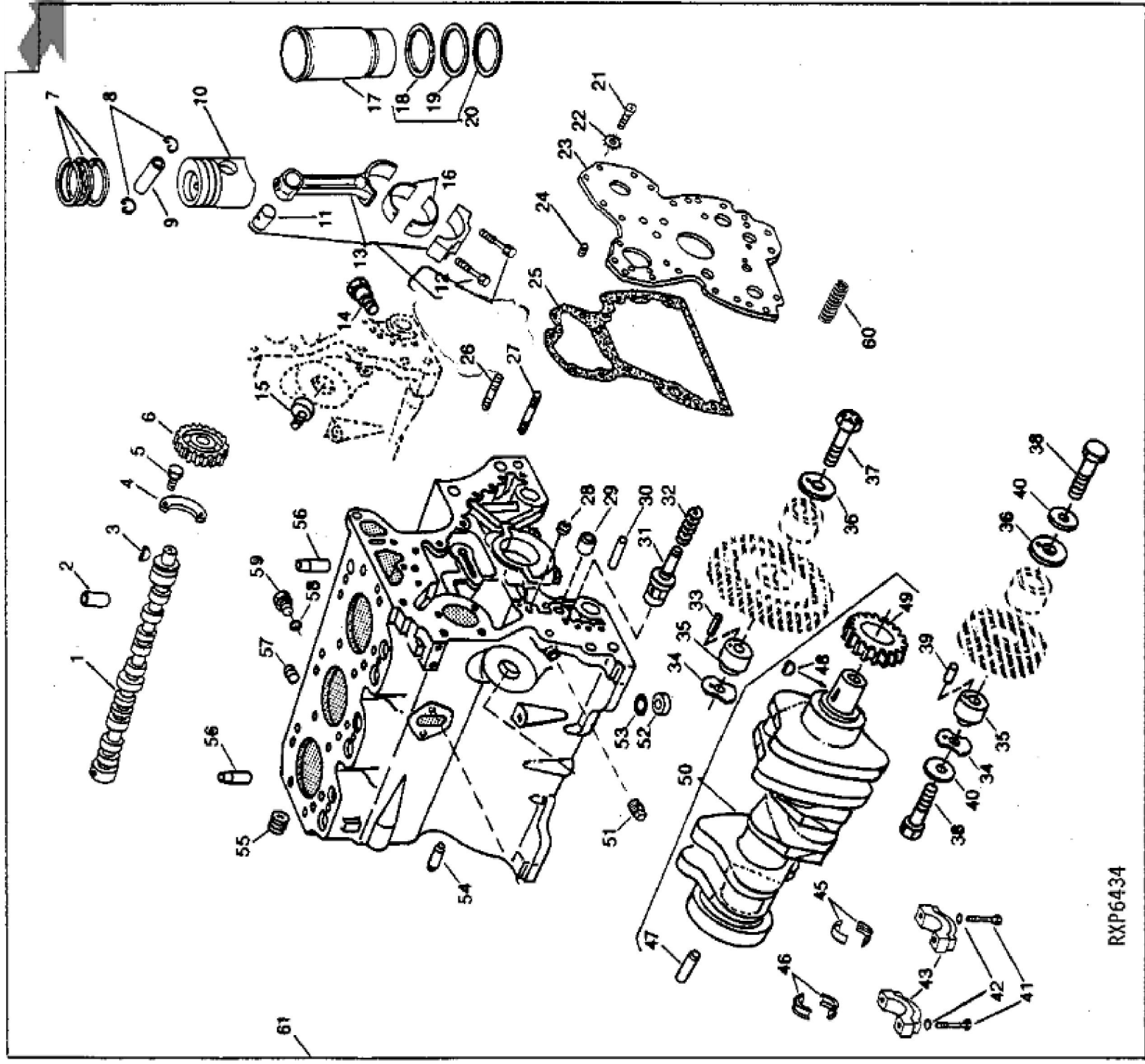
KEY	PART NO.	PART NAME	QTY	Engine Serial No.	REMARKS
1	14H1039	NUT	1		5/8"
2	R70268	WASHER	1		(SUB FOR R42363)
3	R53790	STUD	1		(SUB L29854)
4	AT13740	DRAIN VALVE	1		
4	15H562	PIPE PLUG	1		1"
5	15H690	PIPE PLUG	1		3/4"
6	R48685	DOWEL PIN	2		
7	15H275	PIPE PLUG	1		1/4"
8	R39741	DRAIN PLUG	1		
9	U13639	O-RING	1		
10	T33279	STUD	2		
11	T25701	STUD	1		
12	T18891	PLUG	2	____-XXXXXX	
12	T18891	PLUG	1	XXXXXX-____	
13	R26493	BUSHING	1		
14	R26650	DOWEL PIN	2		
15	R54802	ORIFICE	3		
16	T23670	SHIM	AR		0.076MM (.003") (NO LONGER AVAILABLE)
16	T23671	SHIM	AR		0.05MM (.002") (NO LONGER AVAILABLE)
17	R65215	BEARING CAP	3		(SUB FOR AT21226 OR AR82294)
18	R79089	CAP	1		(SUB FOR AT21227 OR AR82295)
19	T20168	WASHER	8		
20	T23474	CAP SCREW	8		
21	15H666	PIPE PLUG	1		
22	R75893	FITTING	1		
23	R75892	O-RING	1		
24	R48685	DOWEL PIN	2		
25	AR64721	CYLINDER BLOCK	1	____-XXXXXX	(MARKED R55100) (SUB AR97025, R46625, R73139 AND R90648)
25	AR97025	CYLINDER BLOCK	1	XXXXXX-____	(MARKED R72967)
26	T19044	OIL FILTER	1		
27	T23435	THREADED NIPPLE	1		
28	AT21534	DIPSTICK	1		
29	R55299	DIPSTICK TUBE	1		

KEY	PART NO.	PART NAME	QTY	Engine Serial No.	REMARKS
29	R10093	O-RING	1		
30	14H826	NUT	1		1/2"
31	24M7096	WASHER	2		10.500 X 18 X 1.600 MM
32	14H1076	NUT	4		3/8"
33	12H304	LOCK WASHER	3		3/8"
34	AT21191	SET SCREW	5		
34	AT22919	SET SCREW	2		
35	R56736	PLATE	1		(ALSO ORDER (5) AT21191 AND (2) AT22919) (SUB FOR T20295)
36	12H324	WASHER	5		3/8"
37	T20166	SCREW	5		
38	R46625	SPRING	1	XXXXXX-____	
39	R73139	FLOW CONTROL HYD. VALVE	1	XXXXXX-____	
40	R90648	GASKET	1		(SUB FOR T24965 OR R73140) (SUB R131794)



L 47338

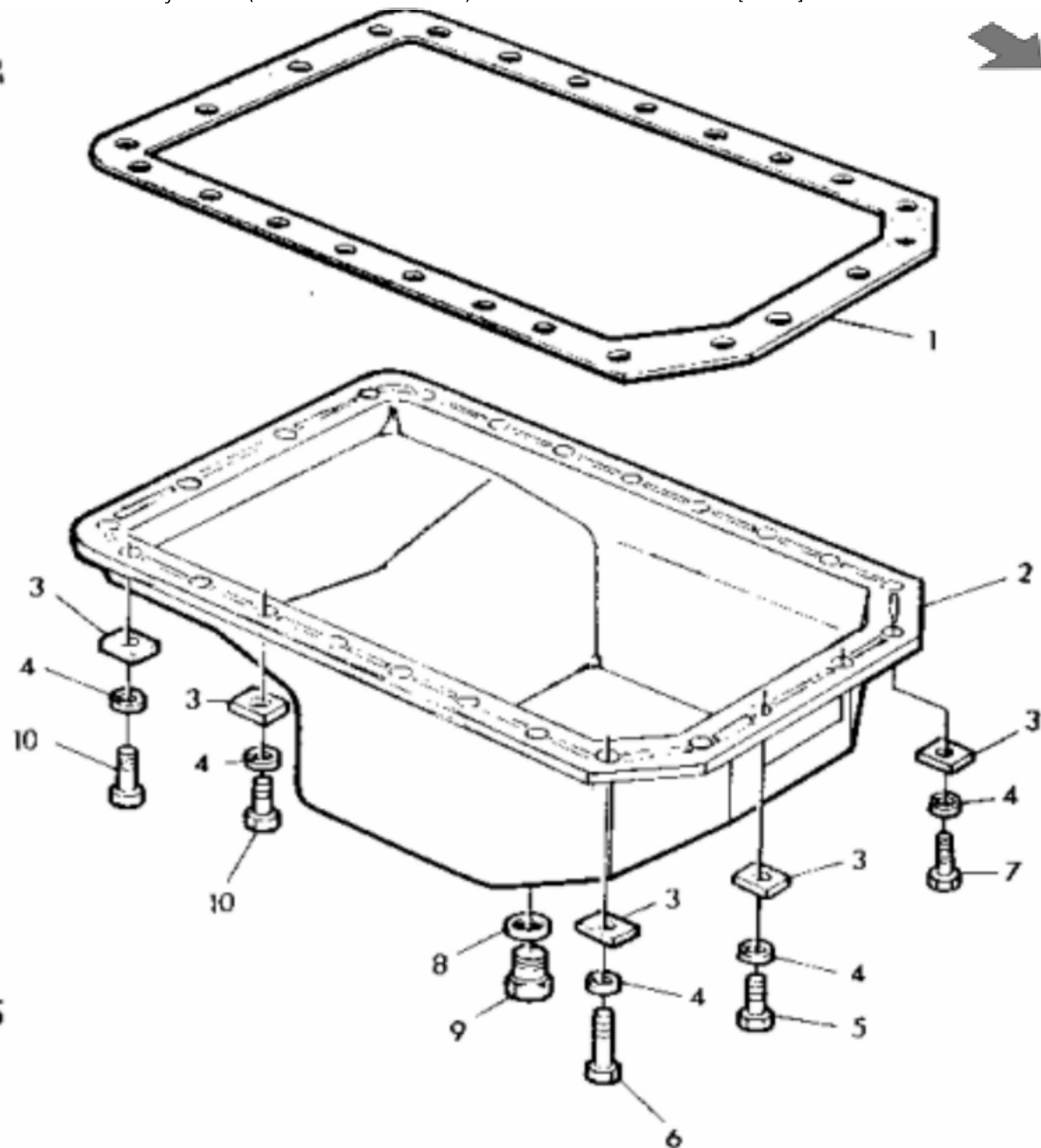
KEY	PART NO.	PART NAME	QTY	REMARKS	
1	AR97032	SHORT BLOCK ASSEMBLY	1	(SUB FOR AR64728) (SUB RE19842 AND R81513)	



RXP6434

KEY	PART NO.	PART NAME	QTY	REMARKS
1	R82819	CAMSHAFT	1	
2	T20073	TAPPET	6	
3	T28041	SHAFT KEY	1	
4	T20072	PLATE	1	
5	19H218	CAP SCREW	2	
6	T20070	HELICAL GEAR	1	
7	AR55760	PISTON RING KIT	3	
8	M41029	SNAP RING	6	
9	R125754	PISTON PIN	3	(SUB FOR R51731)
10	AR77762	PISTON	3	
11	R55647	BUSHING	3	
12	R80033	CAP SCREW	6	
13	RE21076	PITMAN	3	
14	R54802	ORIFICE	3	
15	T23435	THREADED NIPPLE	1	
16	AT21138	BEARING	3	
17	T32343	CYLINDER LINER	3	
18	R48768	WASHER	3	
19	T32344	O-RING	3	
20	AR71618	HYDRAULIC CYLINDER KIT	3	
21	T20166	SCREW	5	
22	12H324	WASHER	5	3/8"
23	RE16149	PLATE	1	
24	AT21191	SET SCREW	8	
24	AT22919	SET SCREW	2	
25	R90648	GASKET	1	(SUB R131794)
26	T25701	STUD	1	
27	T33279	STUD	2	
28	T18891	PLUG	1	
29	R26493	BUSHING	1	
30	R26650	DOWEL PIN	1	
31	R73139	FLOW CONTROL HYD. VALVE	1	
32	R46625	SPRING	1	
33	34H283	SPRING PIN	1	3/16" X 1-1/8"
34	T26324	THRUST WASHER	2	

KEY	PART NO.	PART NAME	QTY	REMARKS
35	T26323	SHAFT	2	
36	T26326	THRUST WASHER	2	
37	T26327	SCREW	1	1/2" X 2-1/4"
38	T26325	SCREW	2	9/16" X 3/4"
39	34H286	SPRING PIN	1	3/16" X 1-1/2"
40	R76126	WASHER	2	
41	T23474	CAP SCREW	8	
42	T20168	WASHER	8	
43	R79089	CAP	1	
44	R65215	BEARING CAP	3	
45	AT21140	BEARING	3	
46	AT21139	BEARING	1	
47	T26565	DOWEL PIN	1	
48	26H72	SHAFT KEY	1	1/8" X 5/8"
49	T20094	HELICAL GEAR	1	
50	AT18031	CRANKSHAFT	1	(MARKED T23516)
51	15H666	PIPE PLUG	1	3/8"
52	R75893	FITTING	1	
53	R75892	O-RING	1	
54	R48685	DOWEL PIN	1	
55	15H562	PIPE PLUG	1	1"
56	R48685	DOWEL PIN	2	
57	15H275	PIPE PLUG	1	1/4"
58	U13639	O-RING	1	
59	R39741	DRAIN PLUG	1	
60	T27658	SPRING	1	
61	RE19842	SHORT BLOCK ASSEMBLY	1	(MARKED R80408) (ALSO ORDER R81513)



L 59705

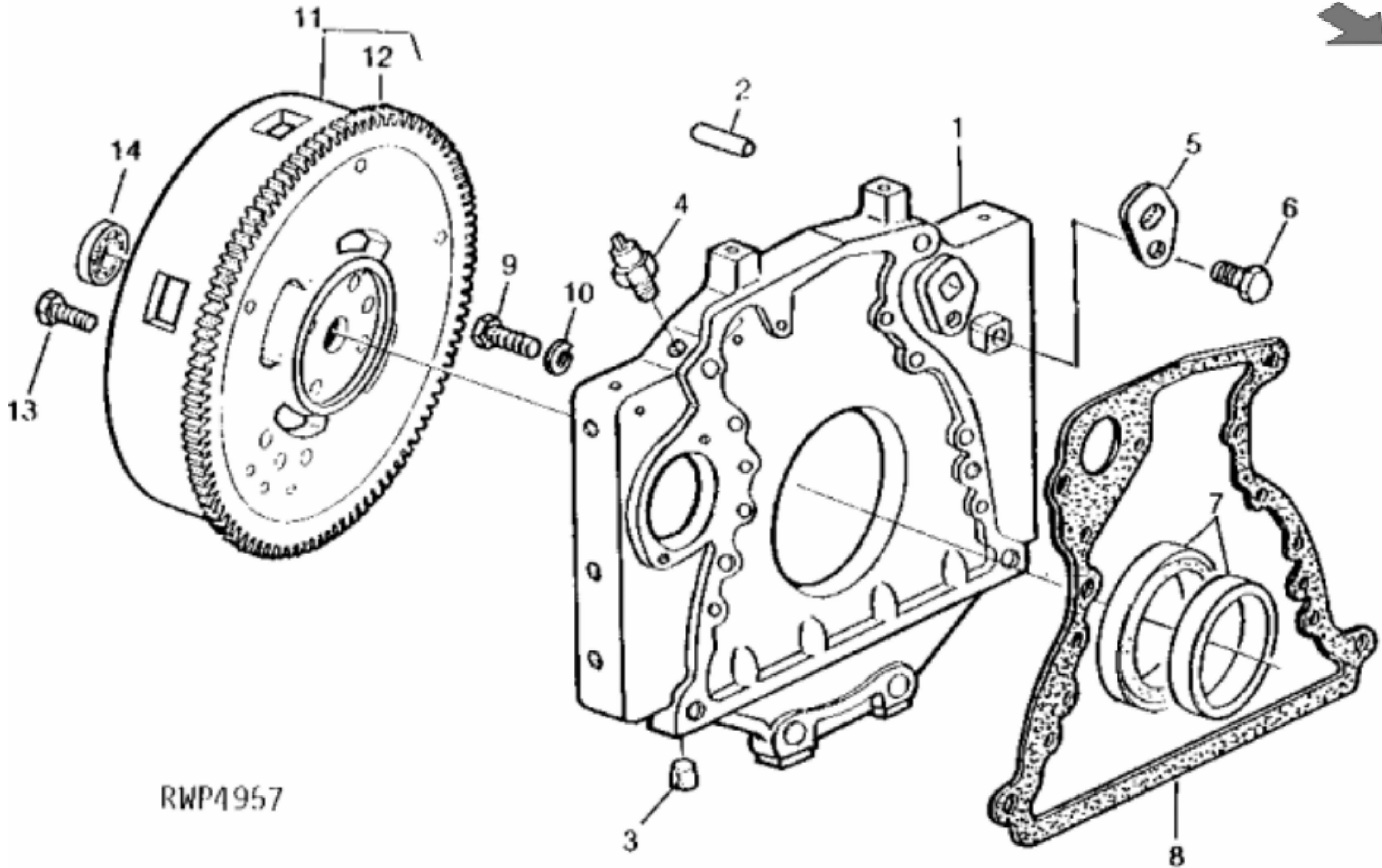
Thank you very much for your reading. Please Click Here. Then Get COMPLETE MANUAL. NO WAITING



NOTE:

If there is no response to click on the link above, please download the PDF document first and then click on it.

KEY	PART NO.	PART NAME	QTY	REMARKS	
1	T24534	GASKET	1		
2	AT18180	OIL PAN	1		
2	15H624	PIPE PLUG	1	1/2"	
3	T30726	STRAP	24		
4	12H304	LOCK WASHER	24	3/8"	
5	19H1732	CAP SCREW	3	3/8" X 1-1/4"	
6	19H1801	CAP SCREW	1	3/8" X 2"	
7	19H1732	CAP SCREW	2	3/8" X 1-1/4"	
8	T13213	WASHER	1		
9	T20098	DRAIN PLUG	1		
10	19H1936	CAP SCREW	18	3/8" X 3/4"	



RWP4957