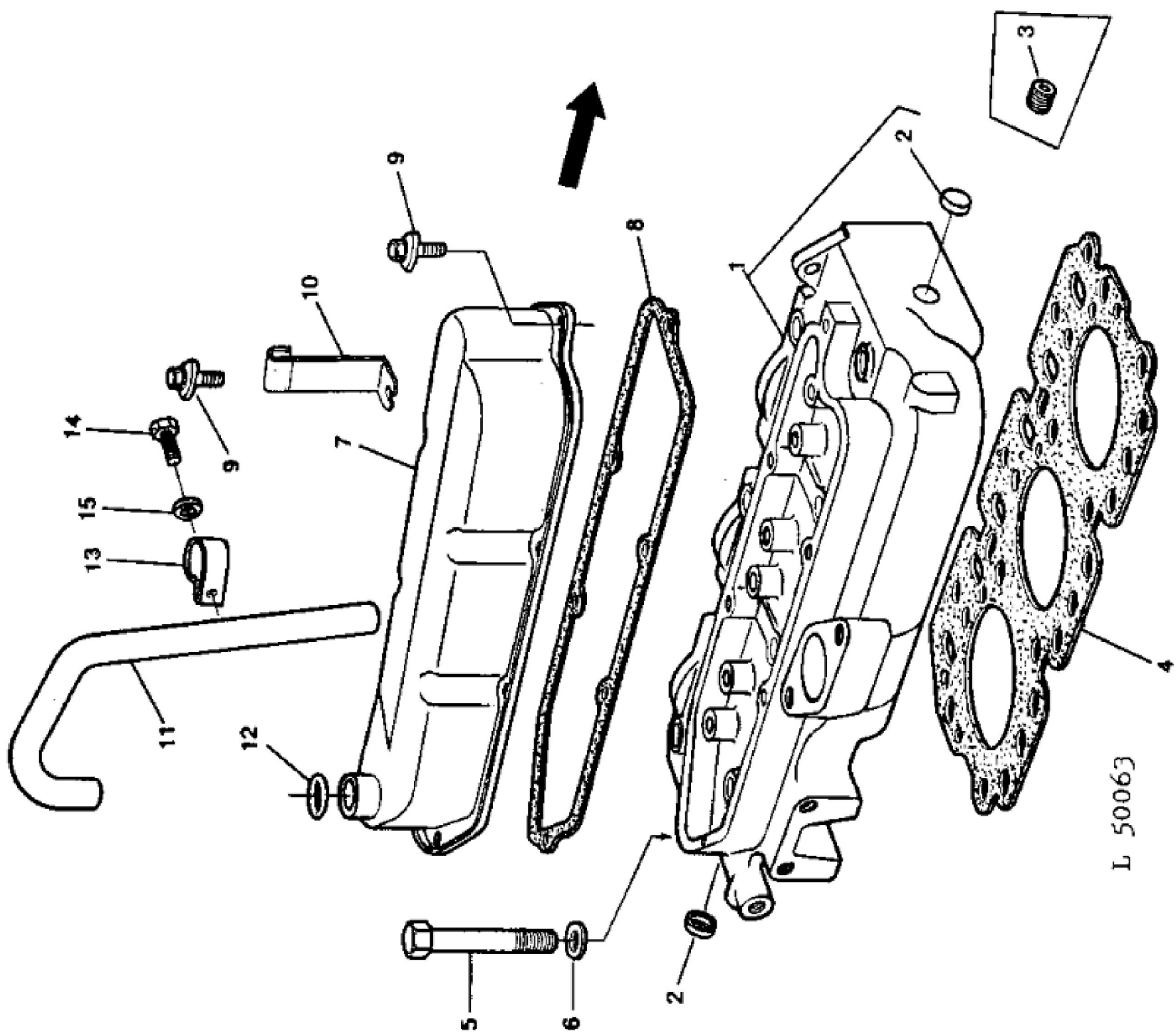


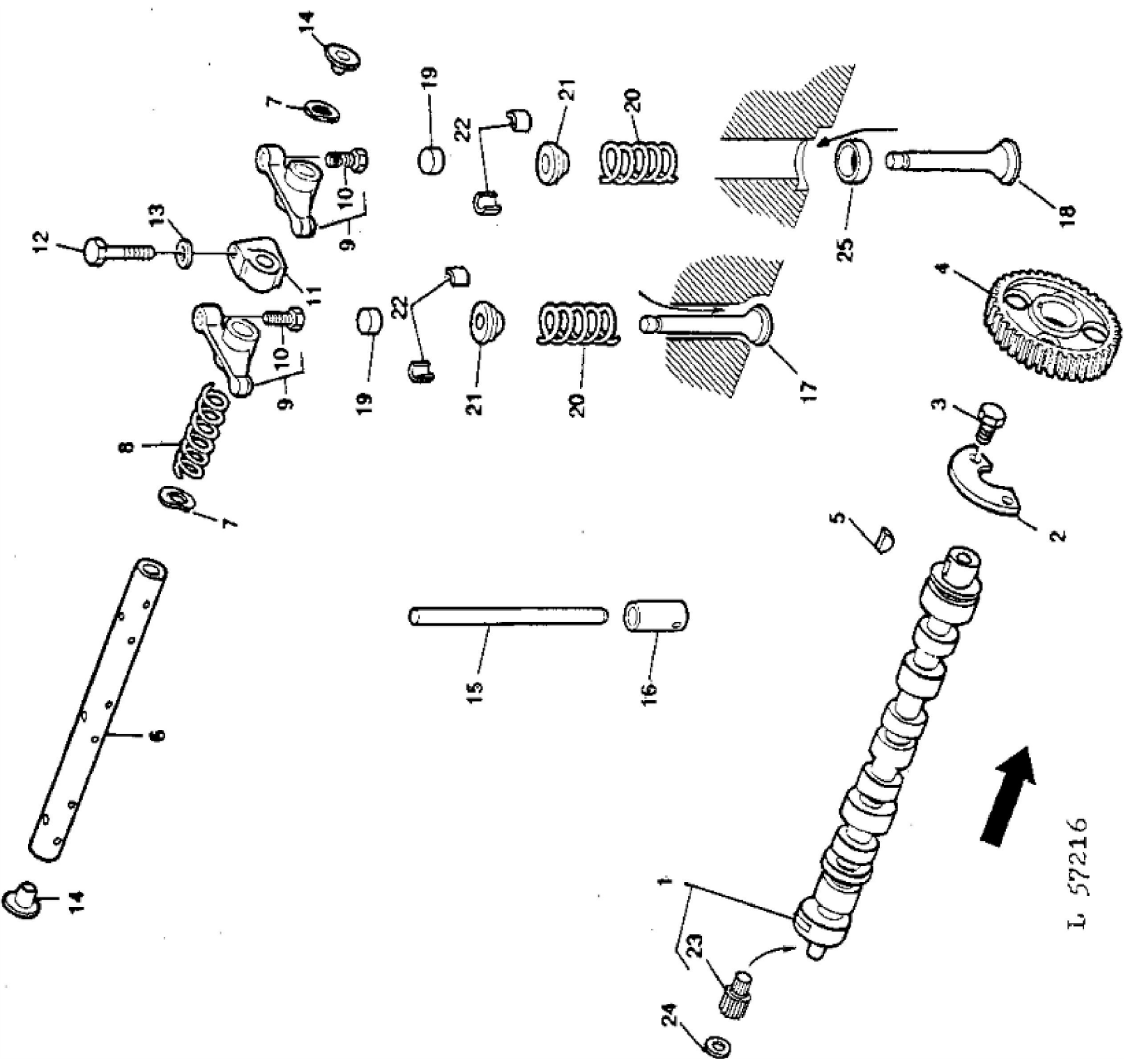
R33971

KEY	PART NO.	PART NAME	QTY	REMARKS
1	R495R	O-RING	1	
2	R60890	LINE	1	OUTLET
3	R40791	CLAMP	1	
4	24H1685	WASHER	1	11/32" X 47/64" X 0.083"
5	19H1813	CAP SCREW	1	5/16" X 5/8"
6	AT18016	VALVE COVER	1	(SUB RE44202 AND (6) RE32140)
7	T24151	CLAMP	1	
8	AR45530	SCREW WITH WASHER	6	(SUB AR103811)
9	T20111	GASKET	1	(SUB R75729)
10	A3910R	PLUG	2	(SUB N102039)
11	AR70583	CYLINDER HEAD	1	(SUB FOR AR70582) (SUB RE56309)
12	CD13979	VALVE SEAT INSERT	3	(SUB R97778)
13	R97356	ENGINE CYLINDER HEAD GASKET	1	STD, (SUB FOR R64151, R59447 OR R80241)
14	T20168	WASHER	14	
15	R53223	CAP SCREW	14	1/2" X 4"
16	RE51774	SENSOR	1	WATER TEMPERATURE GAUGE, (SUB RE51774)



L 50063

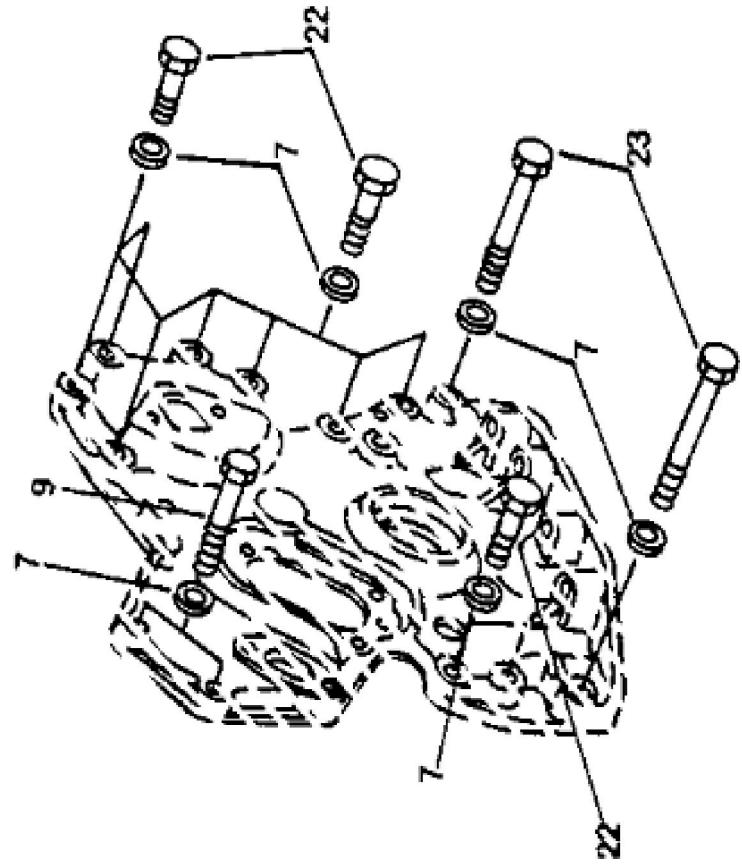
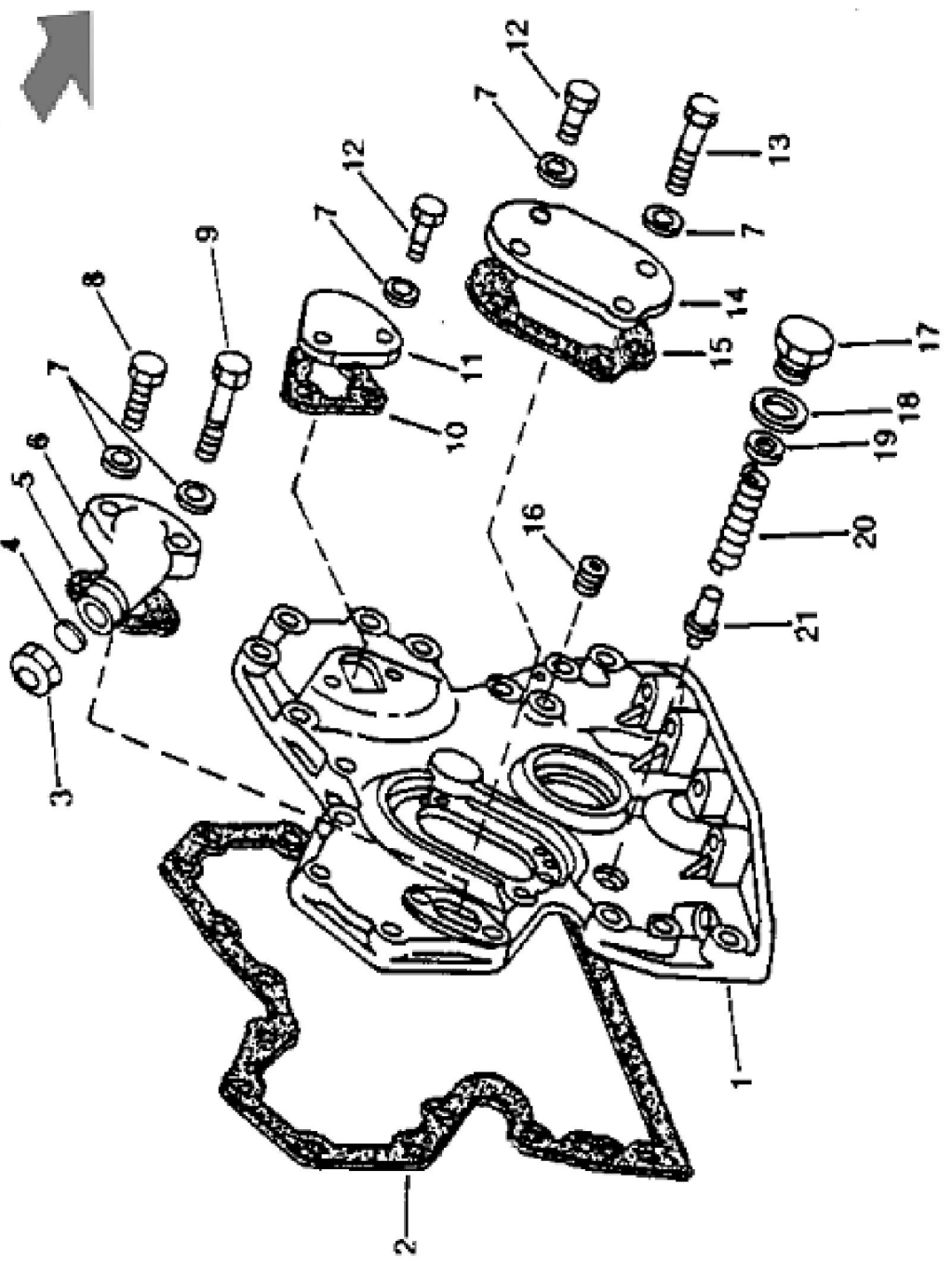
KEY	PART NO.	PART NAME	QTY	Engine Serial No.	REMARKS
1	AR70582	CYLINDER HEAD	1		(SUB FOR AT21799) (SUB RE56309)
2	A3910R	PLUG	2		
3	15H559	PIPE PLUG	1	____-XXXXXX	1/4"
4	R52789	GASKET	1		(SUB FOR T20039) (SUB R98460)
5	T20183	CAP SCREW	14	____-114526	
5	R53223	CAP SCREW	14	114527-____	
6	T20168	WASHER	14		
7	AT18016	VALVE COVER	1		(SUB RE44202 AND (6) RE32140)
8	T20111	GASKET	1		(SUB R75729)
9	AR45530	SCREW WITH WASHER	6		(SUB FOR AR27702) (SUB AR103811)
10	T24151	CLAMP	1		
11	T20074	TUBE	1		
12	R495R	O-RING	1		
13	R40791	CLAMP	1		(SUB FOR A4656R)
14	19H1813	CAP SCREW	1		5/16" X 5/8"
15	24H1685	WASHER	1		11/32" X 47/64" X 0.083"



L 57216

KEY	PART NO.	PART NAME	QTY	REMARKS
1	AT18053	CAMSHAFT	1	(MARKED T20071) (SUB FOR AT18055) (SUB R119707 AND R81513)
2	T20072	PLATE	1	
3	19H1731	CAP SCREW	2	3/8" X 1"
4	T20070	HELICAL GEAR	1	(48 TEETH)
5	T28041	SHAFT KEY	1	
6	T23468	ROCKER ARM SHAFT	1	(ORDER DD12119 AND (2) R54565)
7	T20316	WASHER	2	
8	T20314	SPRING	2	
9	RE31973	ROCKER ARM	6	(SUB FOR AT22665, AR103769, AT31250, RE19031 OR AR103769)
10	.....	SCREW	6	(ORDER RE31973)
11	T20315	SUPPORT	3	
12	19H1733	CAP SCREW	3	3/8" X 2-1/2"
13	R42729	WASHER	3	
14	T23469	PLUG	2	
15	T20310	PIN	6	(SUB R82896)
16	T20073	TAPPET	6	
17	R79623	INTAKE VALVE	3	STD, (SUB FOR T20174 OR R52251)
17	R57332	INTAKE VALVE	3	0.076MM (.003") OS STEM, (SUB FOR T23546 OR CDX7284) (SUB R79628)
17	R79629	INTAKE VALVE	3	0.381MM (.015") OS STEM, (SUB FOR T23547, CDX7285 OR R57334)
17	R79630	INTAKE VALVE	3	0.762MM (.030") OS STEM, (SUB FOR T23548, CDX7286 OR R57336) (NLA)
18	R52252	EXHAUST VALVE	3	STD, (SUB FOR T20175) (SUB R79624)
18	R57333	EXHAUST VALVE	3	0.076MM (.003") OS STEM, (SUB FOR T23549 OR CDX7290) (SUB R79625)
18	R79626	EXHAUST VALVE	3	0.381MM (.015") OS STEM, (SUB FOR T23550, CDX7291 OR R57335)
18	R79627	EXHAUST VALVE	3	0.762MM (.030") OS STEM, (SUB FOR T23551, CDX7292 OR R57337) (NLA)
19	T20129	CAP	6	
20	R26125	SPRING	6	
21	T20176	RETAINER	6	(SUB RE11410)

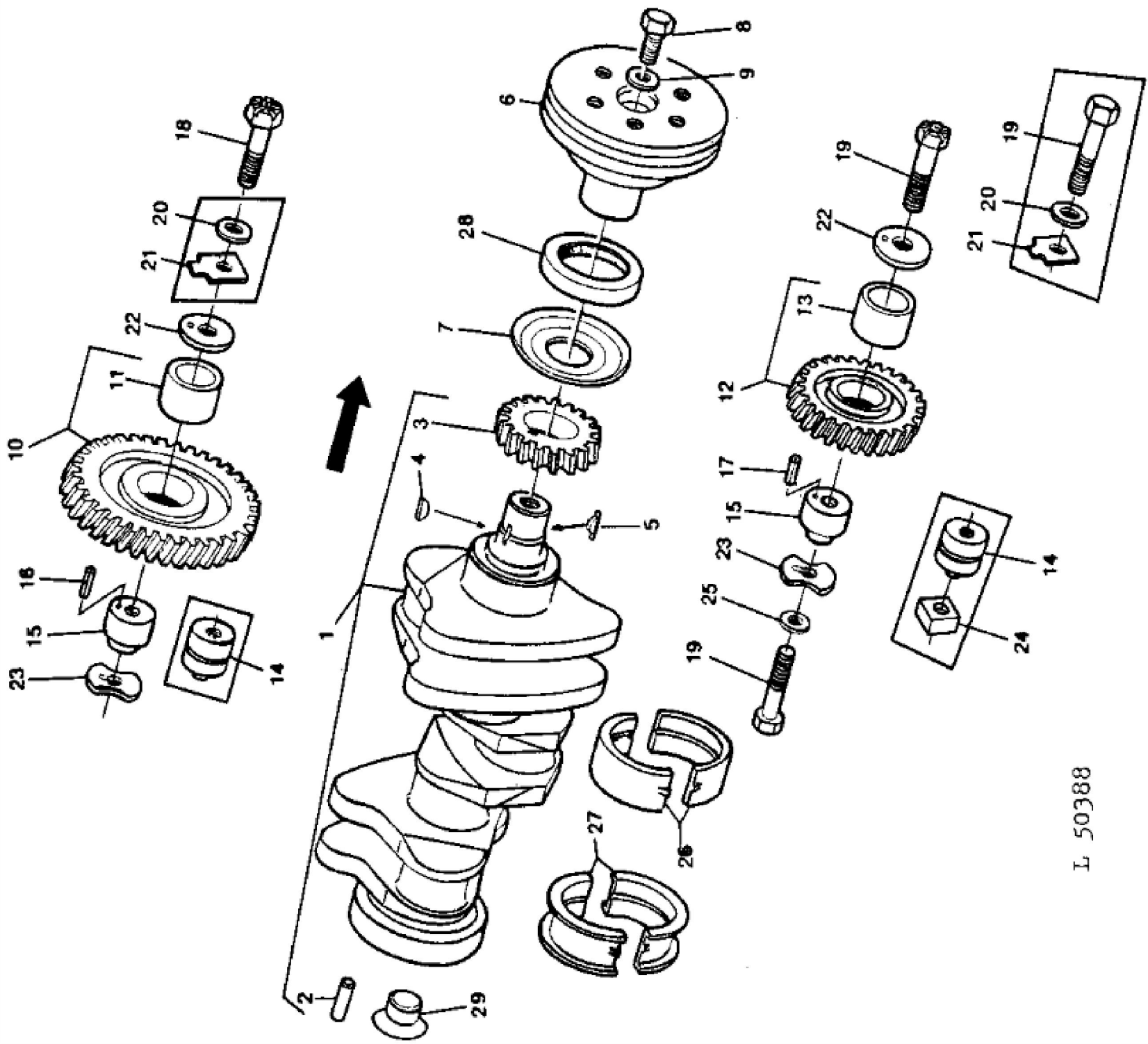
KEY	PART NO.	PART NAME	QTY	REMARKS	
22	T20077	RETAINER	12		
23	T20071	DRIVE SHAFT	1	(USE WHEN AT18053 PREVIOUSLY INSTALLED)	
23	R81513	DRIVE SHAFT	1	(USE WITH R82819)	
24	T20304	WASHER	1		
25	CD13979	VALVE SEAT INSERT	3		



RWP4104



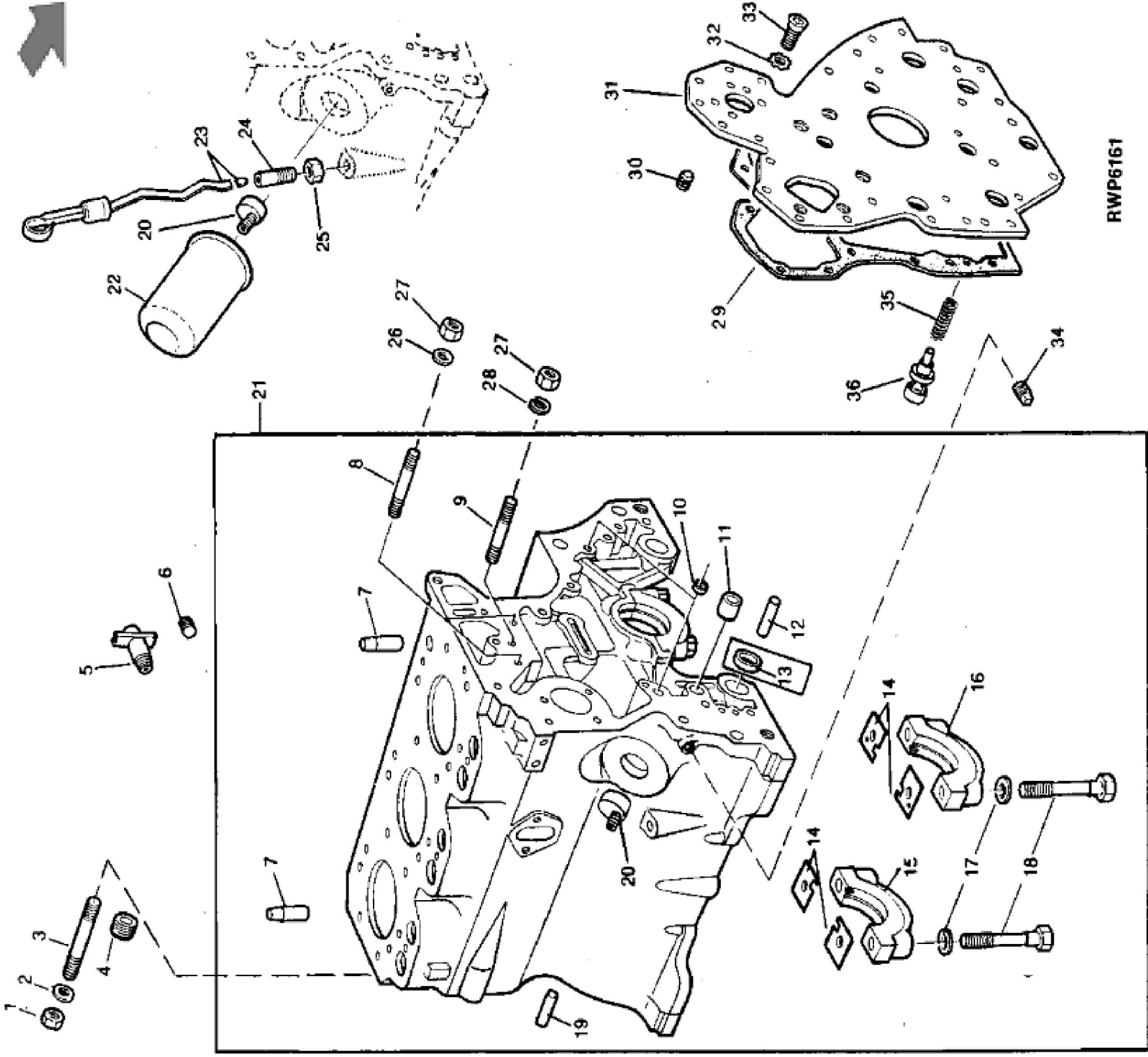
KEY	PART NO.	PART NAME	QTY	Engine Serial No.	REMARKS
1	AT19509	COVER	1		(SUB AR58196)
2	T20155	GASKET	1		(SUB R97454)
3	T20294	CAP	1		
4	T20328	GASKET	1		
5	T20336	GASKET	1		(SUB R97352)
6	T23614	FILLER NECK	1		
7	24M7106	WASHER	21		10 X 18 X 2.500 MM
8	19H2665	CAP SCREW	1		3/8" X 1-5/8"
9	19H2128	CAP SCREW	3		3/8" X 3"
10	R69260	GASKET	1		(SUB FOR T20364) (SUB R78366)
11	T20362	COVER	1		
12	19H2284	CAP SCREW	5		3/8" X 7/8"
13	19H1726	CAP SCREW	1		3/8" X 2-1/4"
14	T20272	COVER	1		
15	T20273	GASKET	1		
16	15H275	PIPE PLUG	1		1/4"
17	T20069	CAP SCREW	1	____-042640	(SUB T27658, T27657 AND R83169, THIS APPLICATION)
17	T27657	FITTING PLUG	1	042641-____	
18	A4827R	WASHER	1		
19	24H1290	WASHER	AR		21/64" X 3/4" X 0.035"
20	T20303	SPRING	1	____-031311	
20	T24964	SPRING	1	031312-042640	(SUB T27658 AND T27657, THIS APPLICATION)
20	T27658	SPRING	1	042641-____	
21	R83169	VALVE	1		(SUB FOR T20067 OR R51516)
22	19H1801	CAP SCREW	9		3/8" X 2"
23	19H1733	CAP SCREW	2		3/8" X 2-1/2"



L 50388

KEY	PART NO.	PART NAME	QTY	Engine Serial No.	REMARKS
1	AT18031	CRANKSHAFT	1		(SUB RE46896)
2	T26565	DOWEL PIN	1		(SUB FOR C1220R)
3	T20094	HELICAL GEAR	1		(24 TEETH)
4	26H72	SHAFT KEY	1		1/8" X 5/8"
5	T23604	SHAFT KEY	1		
6	T25366	PULLEY	1		(SUB R59915)
7	T20046	OIL SLINGER	1		
8	19H1721	CAP SCREW	1		1/2" X 1-1/2"
9	T20217	WASHER	1		
10	AT18009	GEAR	1		(55 TEETH) (SUB AR91660)
11	T20034	BUSHING	1		
12	AT18039	GEAR	1	____-037142	(45 TEETH) (SUB AT24252)
12	AT24252	GEAR	1	037143-____	(45 TEETH)
13	T20034	BUSHING	1	____-037142	
13	T26321	BUSHING	1	037143-____	
14	T20036	SHAFT	2	____-037142	(SUB T26323)
15	T26323	SHAFT	2	037143-____	
16	34H283	SPRING PIN	1	037143-____	3/16" X 1-1/8"
17	34H286	SPRING PIN	1	037143-____	3/16" X 1-1/2"
18	19H2644	CAP SCREW	1	____-037142	1/2" X 2-1/2"
18	T26325	SCREW	2	037143-____	
19	19H1990	CAP SCREW	1	____-037142	1/2" X 2-1/4"
19	T26327	SCREW	2	037143-____	
20	T20290	SHIM	2	____-037142	
21	T20291	WEAR PLATE	2	____-037142	
22	T20038	THRUST WASHER	2	____-037142	(SUB T26326)
22	T26326	THRUST WASHER	2	037143-____	
23	T20037	THRUST WASHER	2	____-037142	(SUB T26324)
23	T26324	THRUST WASHER	2	037143-____	
24	T20136	FITTING	1	____-037142	
25	24H1890	WASHER	1	037143-____	19/32" X 1" X 1/4"
26	AT21140	BEARING	3		STD (2 HALVES)
26	AT21108	BEARING	3		0.051MM (.002") US, PLAIN (2 HALVES)
26	AT21110	BEARING	3		0.254MM (.010") US, PLAIN (2 HALVES)

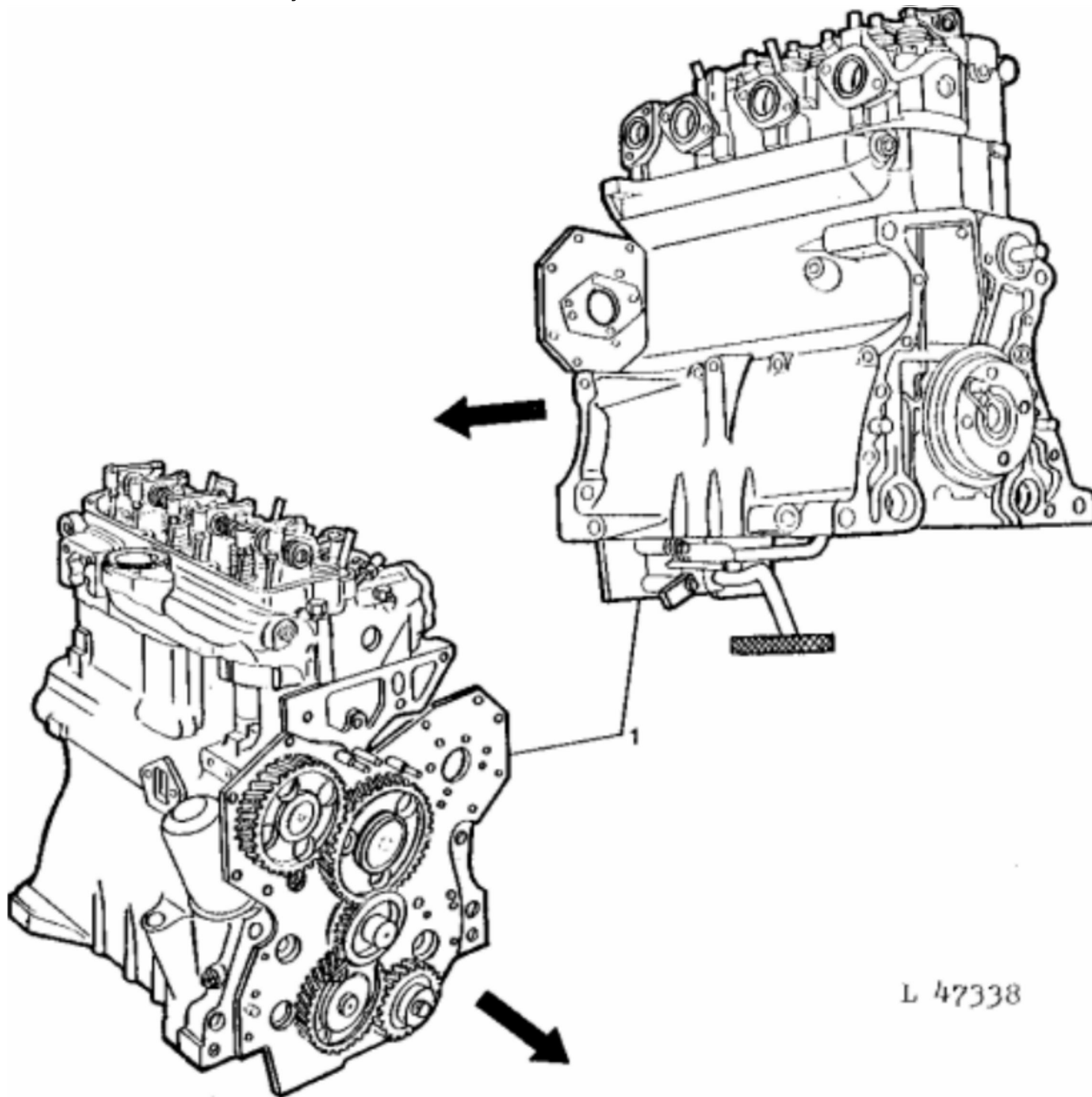
KEY	PART NO.	PART NAME	QTY	Engine Serial No.	REMARKS
26	AT21112	BEARING	3		0.508MM (.020") US, PLAIN (2 HALVES)
26	AT21114	BEARING	3		0.762MM (.030") US, PLAIN (2 HALVES)
27	AT21139	BEARING	1		STD (2 HALVES)
27	AT21130	BEARING	1		0.051MM (.002") US (2 HALVES)
27	AT21132	BEARING	1		0.254MM (.010") US (2 HALVES)
27	AT21134	BEARING	1		0.508MM (.020") US (2 HALVES)
27	AT21136	BEARING	1		0.762MM (.030") US (2 HALVES)
28	AR67942	SEAL	1		(SUB FOR AT21608)
29	T20445	PLUG	1		



RWP6161

KEY	PART NO.	PART NAME	QTY	Engine Serial No.	REMARKS
1	14H1039	NUT	1	102060-____	5/8"
2	R70268	WASHER	1		(SUB FOR R42363)
3	R53790	STUD	1	102060-____	
4	15H665	PIPE PLUG	1		3/4"
5	AT13740	DRAIN VALVE	1		
6	15H275	PIPE PLUG	1		1/4"
7	R26241	DOWEL PIN	2		
8	T20173	STUD	2	____-068403	(SUB T33279 AND 24M7096)
8	T33279	STUD	2	068404-____	
9	T25701	STUD	1		
10	T18891	PLUG	2	____-XXXXXX	
10	T18891	PLUG	1	XXXXXX-____	
11	R26493	BUSHING	1		
12	R26650	DOWEL PIN	2		
13	T20330	BUSHING	1	____-XXXXXX	
14	T23670	SHIM	AR		0.076MM (.003") (NLA)
14	T23671	SHIM	AR		0.05MM (.002") (NLA)
15	AR82295	BEARING CAP	1		(SUB FOR AT21227) (SUB R79089)
16	AR82294	BEARING CAP	3		(SUB FOR AT21226) (SUB R65215)
17	T20168	WASHER	8		
18	T23474	CAP SCREW	8		
19	R48685	DOWEL PIN	2		(SUB FOR A120R)
20	T23435	THREADED NIPPLE	1		
21	AR64721	CYLINDER BLOCK	1	____-XXXXXX	(MARKED R55100 OR R52340) (SUB FOR AT31582, AT18105, AT24999 OR AR59055) (SUB AR97025, R46625, R73139 AND R90648)
21	AR97025	CYLINDER BLOCK	1	XXXXXX-____	(MARKED R72967)
22	T19044	OIL FILTER	1		
23	AT21534	DIPSTICK	1		
24	T24409	THREADED NIPPLE	1		(SUB R55299 AND R10093)
25	14H826	NUT	1		1/2"
26	24M7106	WASHER	2	____-068403	10 X 18 X 2.500 MM
26	24M7096	WASHER	2	068404-____	10.500 X 18 X 1.600 MM
27	14H1076	NUT	4		3/8"

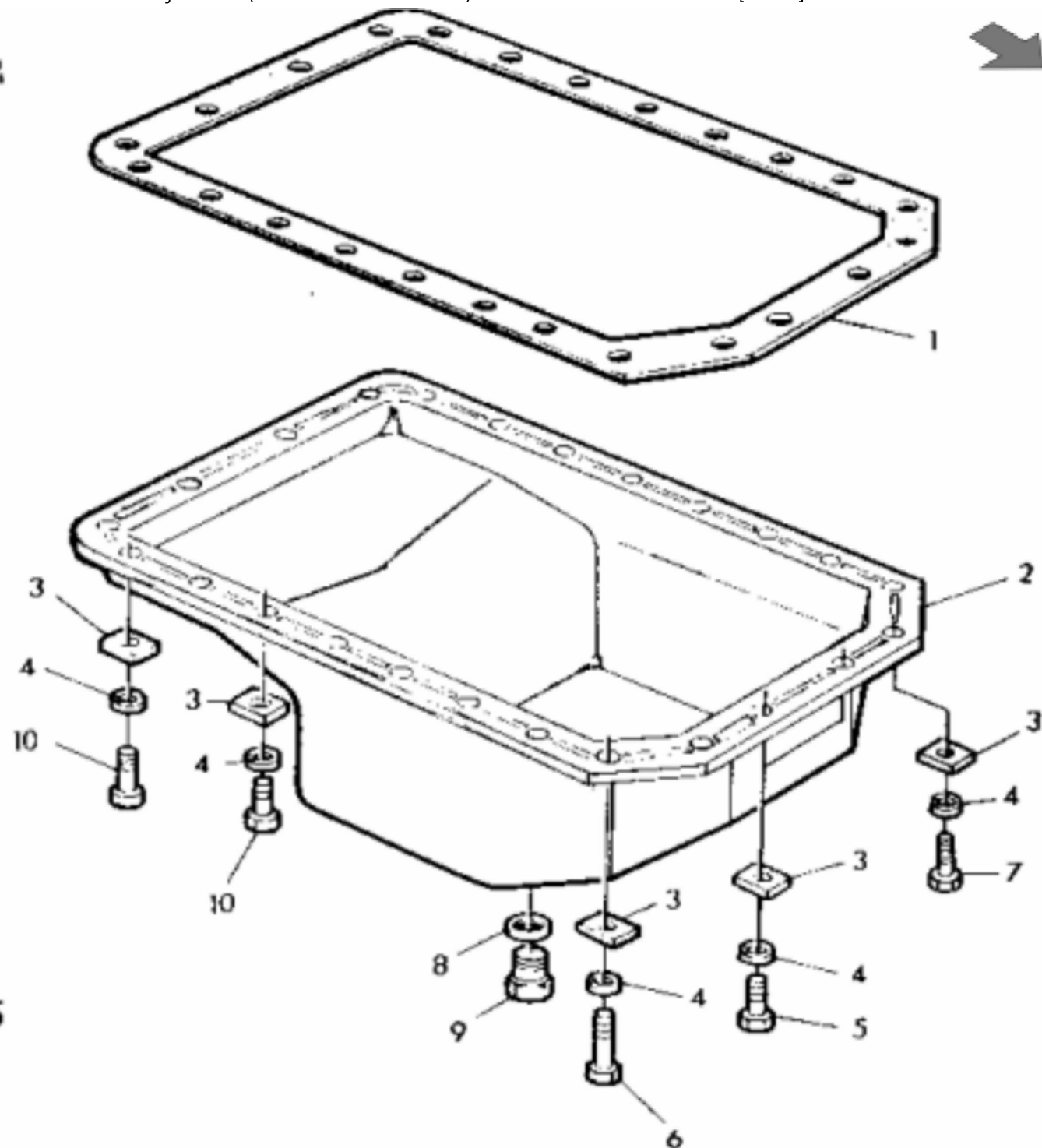
KEY	PART NO.	PART NAME	QTY	Engine Serial No.	REMARKS
28	12H304	LOCK WASHER	3		3/8"
29	R90648	GASKET	1		(SUB FOR T24965 OR R73140) (SUB R131794)
30	AT21191	SET SCREW	8		
30	AT22919	SET SCREW	2		
31	R56736	PLATE	1		(SUB FOR T24531, T20295 OR AT29928) (SUB (8) AT21191, (2) AT22919 AND RE16149)
32	12H324	WASHER	5		3/8"
33	T20166	SCREW	5		
34	15H255	PIPE PLUG	2	031312-____	3/8"
35	R46625	SPRING	1	XXXXXX-____	
36	R73139	FLOW CONTROL HYD. VALVE	1	XXXXXX-____	



L 47338

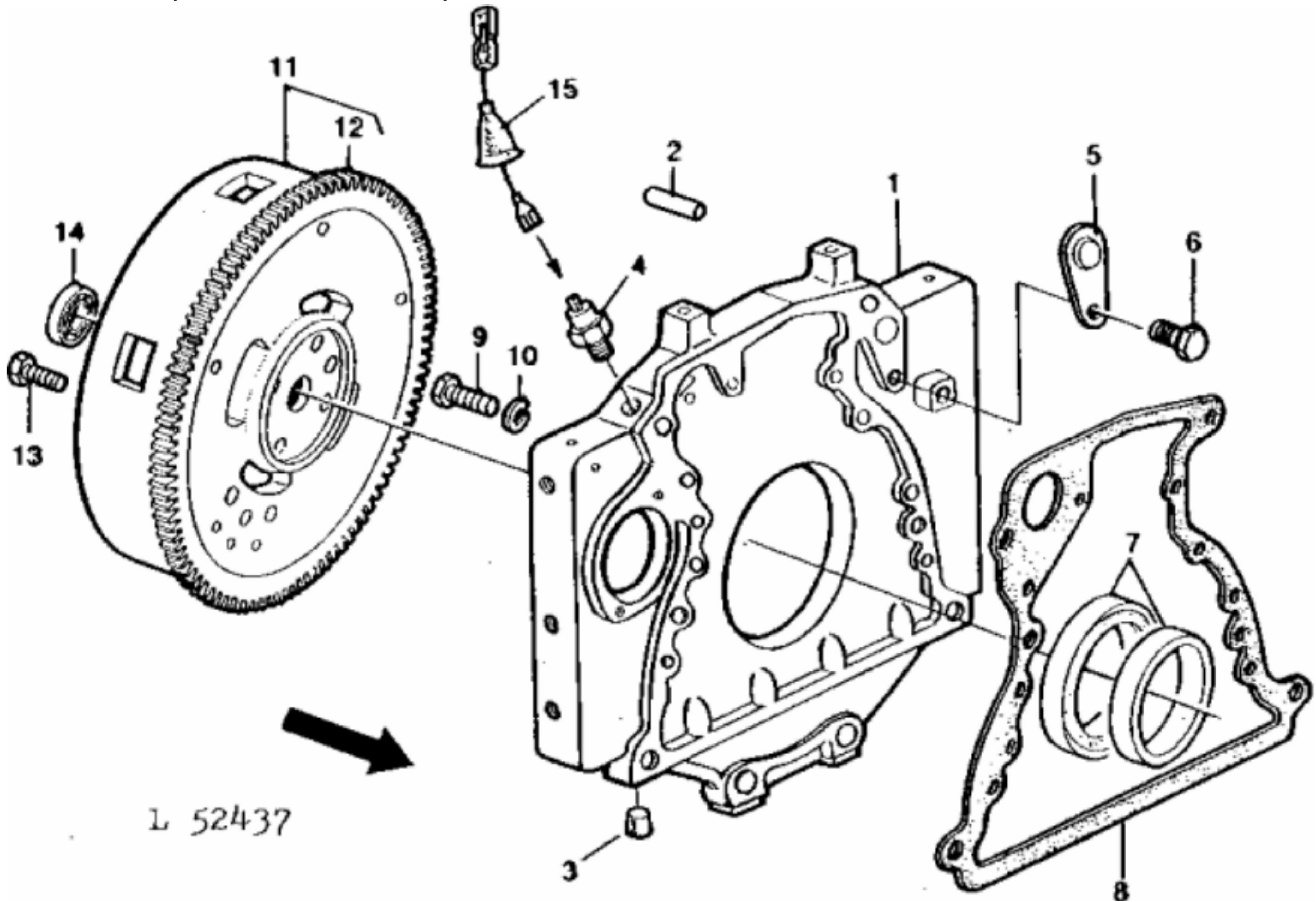


KEY	PART NO.	PART NAME	QTY	REMARKS	
1	DD12093	DIESEL ENGINE	1	(SUB FOR DD11408) (NLA)	
1	AR97032	SHORT BLOCK ASSEMBLY	1	(SUB RE19842 AND R81513)	



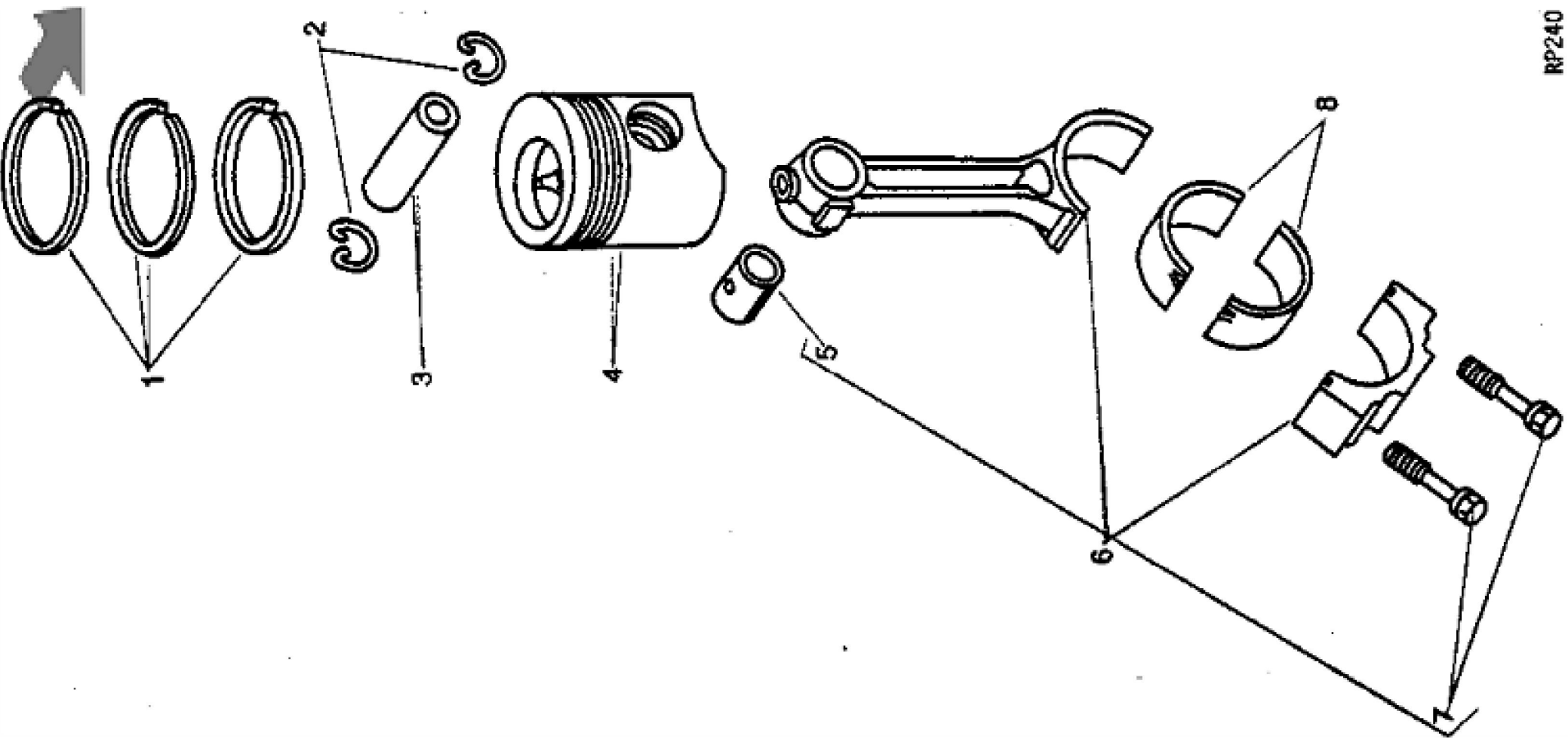
L 59705

KEY	PART NO.	PART NAME	QTY	REMARKS	
1	T24534	GASKET	1	(SUB R119359)	
2	AT18180	OIL PAN	1	(SUB FOR AT18178)	
2	15H624	PIPE PLUG	1	1/2"	
2	15H665	PIPE PLUG	1	3/4"	
3	24M7106	WASHER	24	10 X 18 X 2.500 MM, (SUB FOR T23200 OR T30726)	
4	12H304	LOCK WASHER	24	3/8"	
5	19H1732	CAP SCREW	3	3/8" X 1-1/4"	
6	19H1801	CAP SCREW	1	3/8" X 2"	
7	19H1732	CAP SCREW	2	3/8" X 1-1/4"	
8	T13213	WASHER	1		
9	T20098	DRAIN PLUG	1		
10	19H1936	CAP SCREW	18	3/8" X 3/4"	



L 52437

KEY	PART NO.	PART NAME	QTY	Engine Serial No.	REMARKS
1	T22991	HOUSING	1	____-038435	(SUB R63434)
1	T25117	HOUSING	1	038436-110369	(SUB R63434)
1	T28433	HOUSING	1	110370-____	(SUB R63434)
2	T26565	DOWEL PIN	2		(SUB FOR C1220R)
3	T23590	PLUG	1		
4	AR27977	PRESSURE SWITCH	1		
5	T20089	COVER	1	____-110369	
5	T28435	COVER	1	110370-____	
6	19H2351	CAP SCREW	1		1/2" X 1/2", (SUB FOR T20090)
7	T20326	SEAL	1	____-038435	
7	RE24959	SEAL	1	038436-____	(SUB FOR AT22965 OR AR92893)
8	R70483	GASKET	1		(SUB FOR T23596) (SUB R97351)
9	19H1800	CAP SCREW	8		3/8" X 1-1/2"
10	12H304	LOCK WASHER	8		3/8"
11	AT21382	FLYWHEEL	1		(MARKED T24126) (SUB AR92506)
12	T20088	GEAR	1		(142 TEETH)
13	T20139	CAP SCREW	4		
14	JD10107	BALL BEARING	1		(SUB FOR JD8511, AR56268 OR AL28037)
15	AT30691	WIRING LEAD	1		



**Thank you very much for your reading. Please Click Here. Then Get COMPLETE MANUAL. NO WAITING**



**NOTE:**

**If there is no response to click on the link above, please download the PDF document first and then click on it.**

KEY	PART NO.	PART NAME	QTY	REMARKS	
1	AR70633	PISTON RING KIT	3	(SUB FOR AT18012 OR AR55758) (SET OF 3)	
2	M67T	SNAP RING	6	(PKG OF 2)	
3	T23482	PISTON PIN	3		
4	T23481	PISTON	3		
5	T23471	BUSHING	3		
6	AT18005	CONNECTING ROD	3	(SUB RE19733)	
7	T20009	CAP SCREW	6		
7	R80033	CAP SCREW	6	(USE WITH RE19733)	
8	AT21138	BEARING	3	STD (2 HALVES)	
8	AT21122	BEARING	3	0.051MM (.002") US (2 HALVES)	
8	AT21124	BEARING	3	0.254MM (.010") US (2 HALVES)	
8	AT21126	BEARING	3	0.508MM (.020") US (2 HALVES)	
8	AT21128	BEARING	3	0.762MM (.030") US (2 HALVES)	