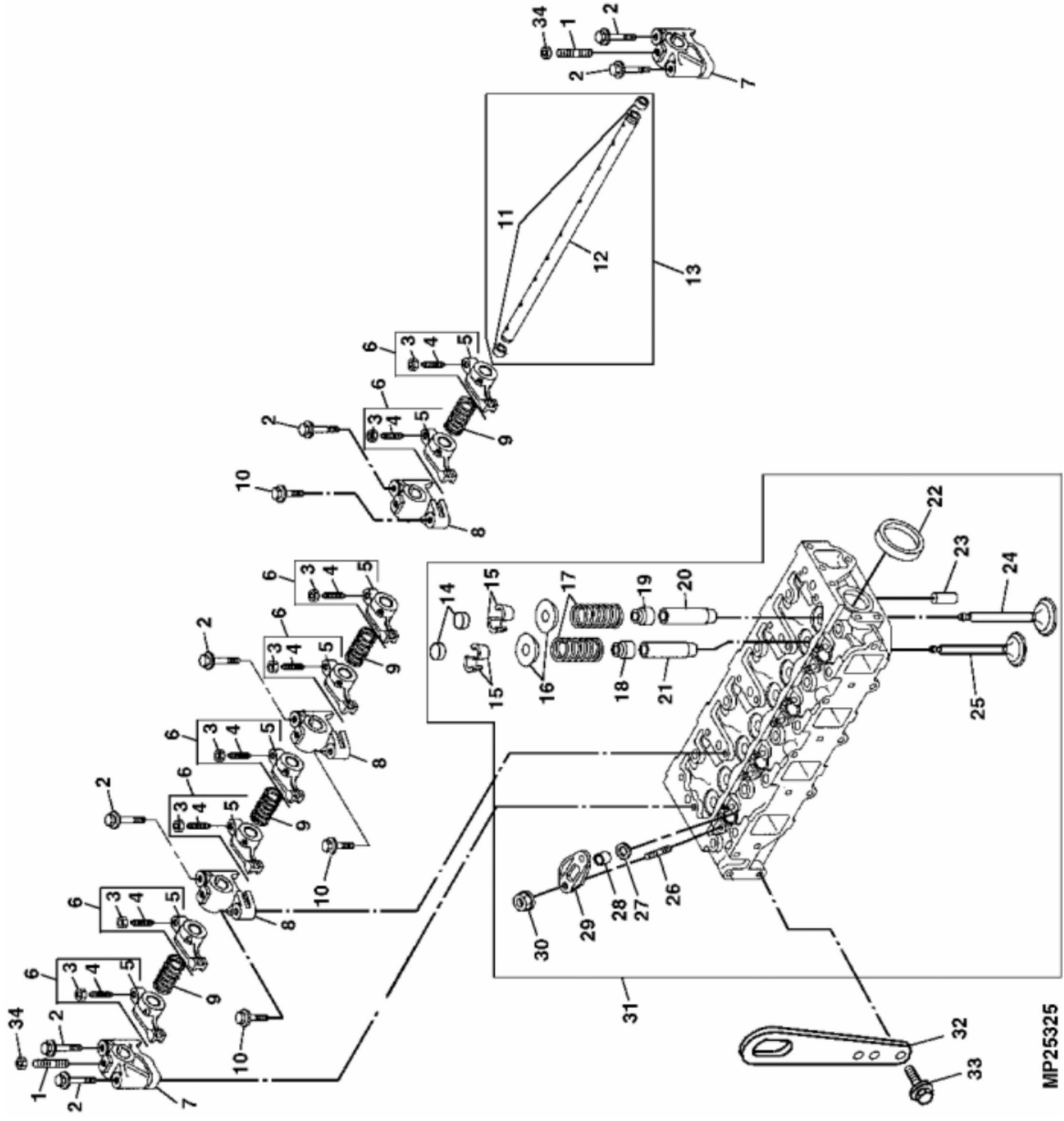


PU02726

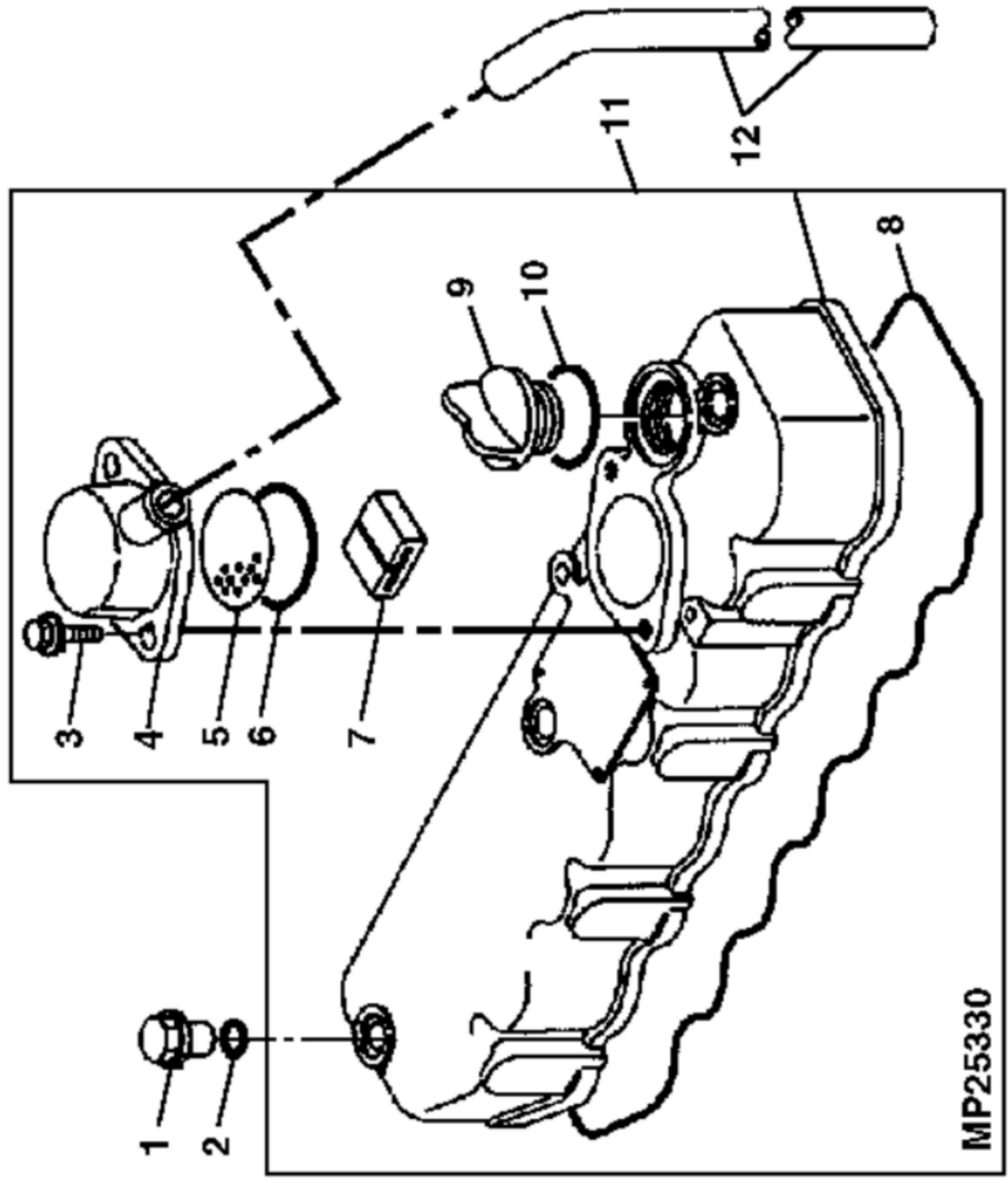
KEY	PART NO.	PART NAME	QTY	REMARKS
1	LVU13644	ISOLATOR	1	RH AIRDAM
2	19M7864	BOLT	2	
3	LVU12391	HEAT SHIELD	1	RH
4	14M7298	FLANGE NUT	1	M8
5	LVU12390	HEAT SHIELD	1	LH
6	19M7783	BOLT	1	
7	19M7866	BOLT	1	
8	LVU13646	ISOLATOR	1	LH AIRDAM
9	M801186	BOLT	18	
10	M806518	ENGINE CYLINDER HEAD GASKET	1	
11	30M7023	PLUG	1	
12	CH18079	SPRING PIN	1	
13	M806938	PLUG	1	
14	15H562	PIPE PLUG	1	1"
15	MIU800573	CAMSHAFT	1	(SUB FOR M800977)
16	M800978	SHAFT	1	
17	CH19101	BOLT	2	
18	M87801	PLUG	2	
19	M800974	PIPE	2	
20	CH10554	PACKING	4	
21	19M7864	BOLT	4	
22	AM875371	BEARING KIT	5	(STD)
22	MIA880550	BEARING	5	.25MM (.010") US. (SUB FOR AM875374)
23	.....	BEARING CAP	4	
24	M801189	BOLT	10	
25	MIA880555	BEARING	2	(SUB FOR AM875373)
26	.....	BEARING CAP	1	
27	CH10335	PLUG	2	
28	EPC200680	PLUG	1	
29	T113961	PLUG	1	
30	M802255	PIN	4	
31	.....	DRAIN PLUG	1	
32	AM879992	CYLINDER BLOCK	1	
33	MIA882698	SHORT BLOCK ASSEMBLY	1	Not illustrated; SUB FOR AM880565

KEY	PART NO.	PART NAME	QTY	REMARKS
..	AM131605	DIESEL ENGINE	1	(W/SST FLYWHEEL) (MARKED 4TNE84-EJT461C) (SUB AM880565)
..	AM131609	DIESEL ENGINE	1	(W/PRT, HST FLYWHEEL) (MARKED 4TNE84-EJT461) (SUB AM880565)
..	AM880565	SHORT BLOCK ASSEMBLY	1	
..	LVU10366	ISOLATOR	1	BOTTOM AIRDAM



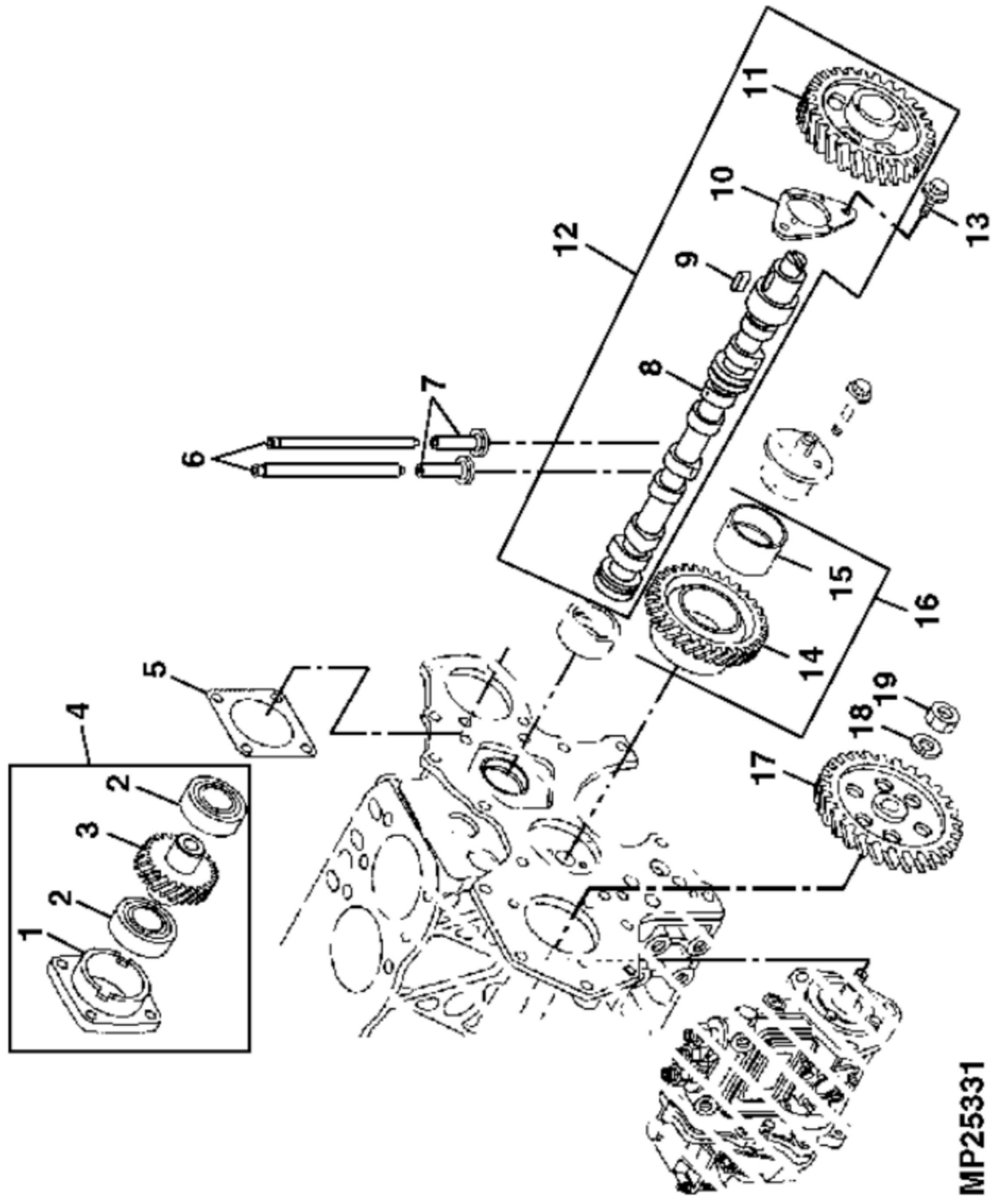
MP25325

KEY	PART NO.	PART NAME	QTY	REMARKS
1	M801024	STUD	3	
2	19M7800	SCREW	7	M8 X 50
3	M801028	NUT	1	
4	M801027	SCREW	1	
5	.....	ROCKER ARM	1	
6	AM875383	ROCKER ARM	8	
7	M801022	SUPPORT	2	ROCKER ARM
8	M801023	SUPPORT	3	ROCKER ARM
9	M801025	SPRING	4	
10	19M7867	SCREW	3	M8 X 25
11	M800002	PLUG	2	
12	.....	ROCKER ARM SHAFT	1	
13	AM875382	SHAFT	1	ROCKER ARM
14	M801224	CAP	8	
15	AM878862	RETAINER KIT	8	VALVE RETAINER, (SUB FOR CH10067)
16	M801223	RETAINER	8	SPRING
17	M801222	SPRING	8	VALVE
18	T110650	SEAL	4	EXHAUST
19	CH10450	SEAL	4	INTAKE
20	M801227	GUIDE	4	INTAKE
21	M801228	GUIDE	4	EXHAUST
22	CH16751	PLUG	2	
23	CH18079	SPRING PIN	2	
24	M801220	INTAKE VALVE	4	
25	M801221	EXHAUST VALVE	4	
26	M801219	BOLT	8	
27	M801017	SEAT	4	
28	M801016	GUARD	4	(SUB FOR M810460)
29	M801018	RETAINER	4	NOZZLE
30	14M7303	FLANGE NUT	8	M6
31	AM879737	CYLINDER HEAD	1	
32	AT211695	LIFT LINK	1	
33	19M7865	SCREW	2	M8 X 16
34	14M7273	NUT	3	M8



MP25330

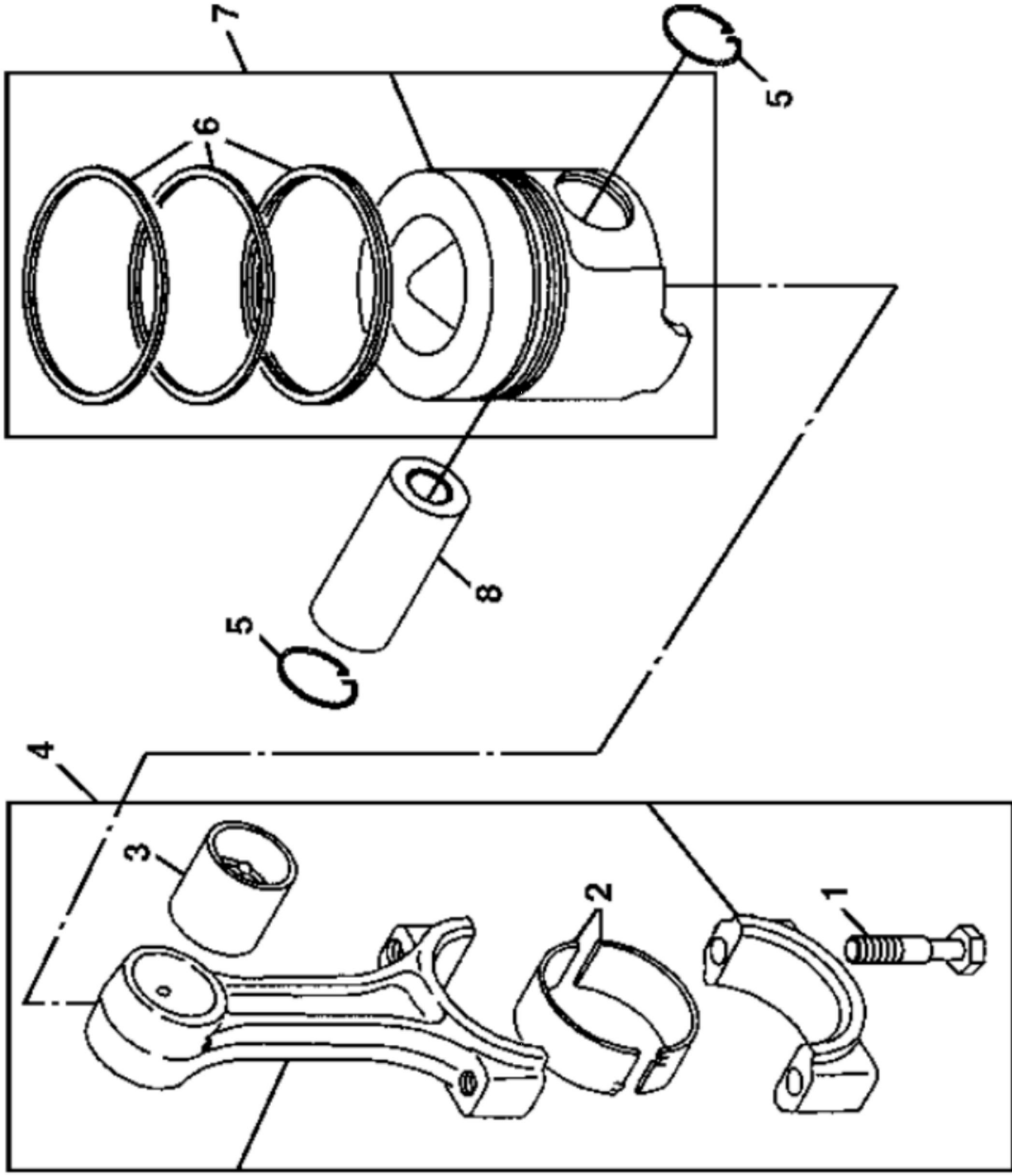
KEY	PART NO.	PART NAME	QTY	REMARKS
1	CH10348	NUT	3	
2	CH10568	PACKING	3	
3	19M7865	SCREW	2	M8 X 16
4	M801031	CAP	1	
5	M801033	PLATE	1	
6	M801034	O-RING	1	
7	M801032	DEFLECTOR	1	
8	M801230	GASKET	1	
9	M805710	CAP	1	
10	M805711	PACKING	1	
11	RG60621	COVER	1	
12	M801037	HOSE	1	BREATHER



MP25331

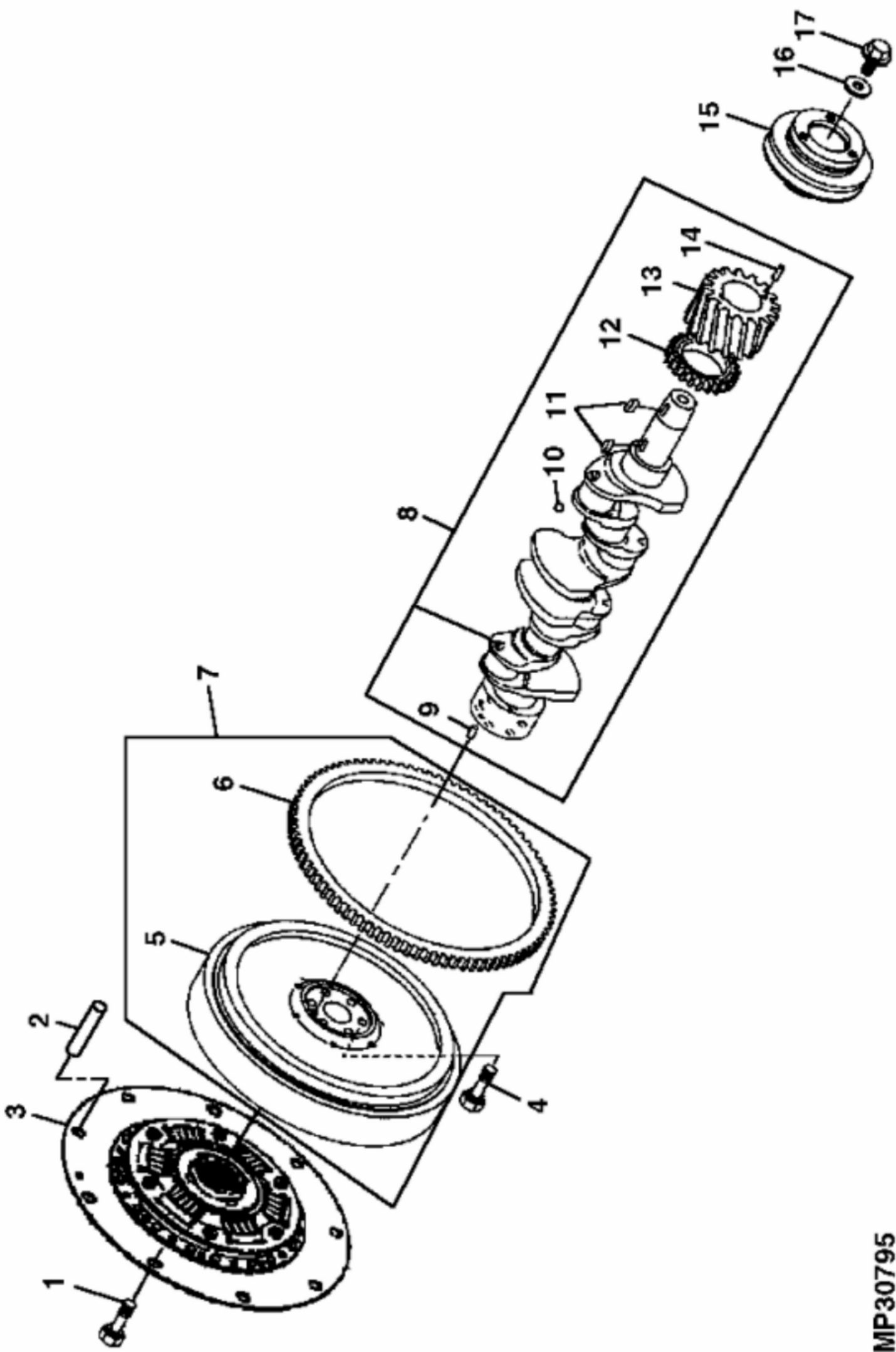


KEY	PART NO.	PART NAME	QTY	REMARKS
1	M802618	BRACKET	1	
2	CH13505	BALL BEARING	2	(SUB FOR CH16063)
3	.....	GEAR	1	
4	AM876339	GEAR	1	
5	M805840	GASKET	1	
6	M801238	PUSH ROD	8	
7	M801046	CAM FOLLOWER	8	
8	.....	CAMSHAFT	1	
9	M801045	SHAFT KEY	1	
10	.....	THRUST BEARING	1	
11	.....	GEAR	1	
12	AM875386	CAMSHAFT	1	
13	CH19780	BOLT	2	
14	.....	GEAR	1	
15	M801050	BUSHING	1	
16	AM875315	GEAR	1	IDLE
17	M801239	GEAR	1	FUEL INJECTION PUMP
18	12M7067	LOCK WASHER	1	12 mm
19	14M7275	NIUT	1	M12



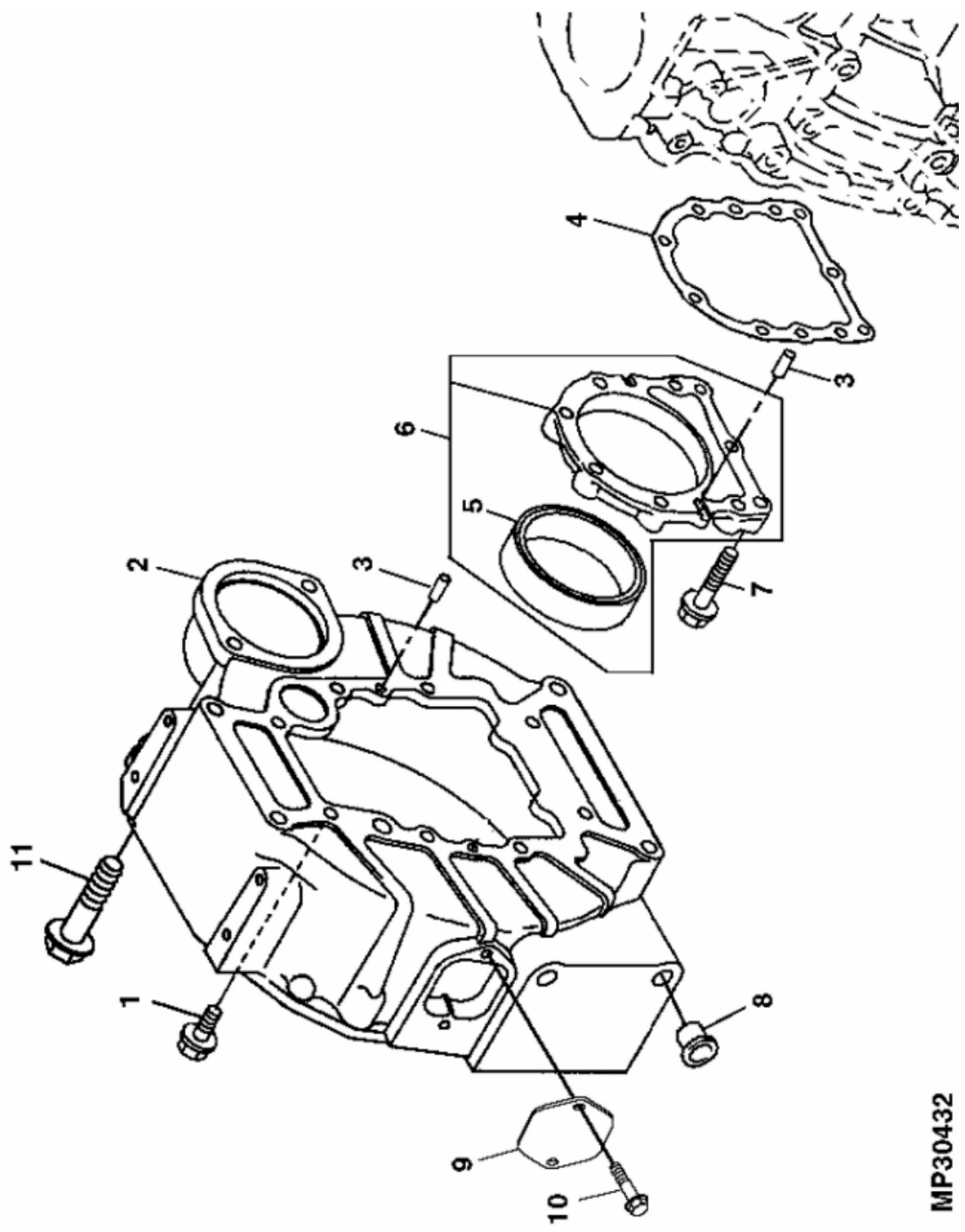
**MP18666**

KEY	PART NO.	PART NAME	QTY	REMARKS
1	CH15483	BOLT	2	
2	M1A880563	BEARING	1	STD, (SUB FOR AM875392)
2	M1A880568	BEARING	1	.25 MM (.010") US, (SUB FOR AM875395)
3	M801256	BEARING	1	
4	AM875391	CONNECTING ROD	3	
5	M806457	CLIP	6	
6	AM878555	PISTON RING KIT	1	STD
6	AM878599	PISTON RING KIT	1	.25 MM (.010") OS
7	AM880366	PISTON	3	STD
7	AM880566	PISTON	3	.25 MM (.010") OS
8	M806456	PISTON PIN	3	



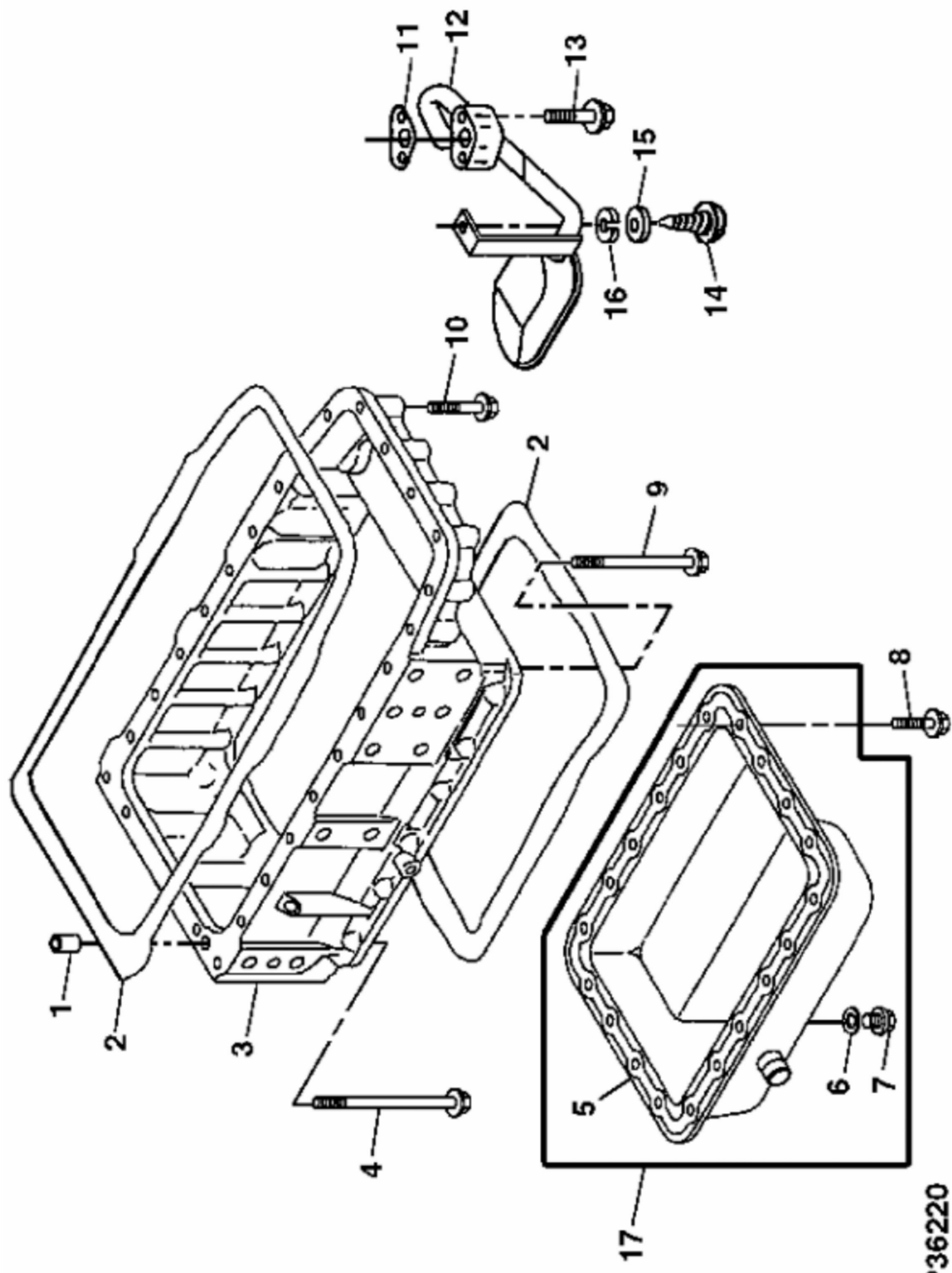
**MP30795**

KEY	PART NO.	PART NAME	QTY	REMARKS
1	19M7865	BOLT	6	
2	34M7250	SPRING PIN	3	10 X 20 mm, PRT & HST
3	LVA14721	DISK	1	CLUTCH DAMPER, (SUB FOR M808385), PRT
3	LVA14722	DISK	1	CLUTCH DAMPER, (SUB FOR M808463), HST
4	CH19291	BOLT	6	
5	.....	FLYWHEEL	1	
6	CH10466	GEAR	1	
7	AM879899	FLYWHEEL	1	SST
7	AM879900	FLYWHEEL	1	PRT & HST
8	AM879978	CRANKSHAFT	1	
9	M802255	PIN	1	
10	400R	BALL	4	
11	M801045	SHAFT KEY	2	
12	M810309	GEAR	1	BALANCER
13	M801053	GEAR	1	(NLA)
14	CH16793	PIN	1	
15	M809525	PULLEY	1	
16	M801055	WASHER	1	
17	CH16798	BOLT	1	



**MP30432**

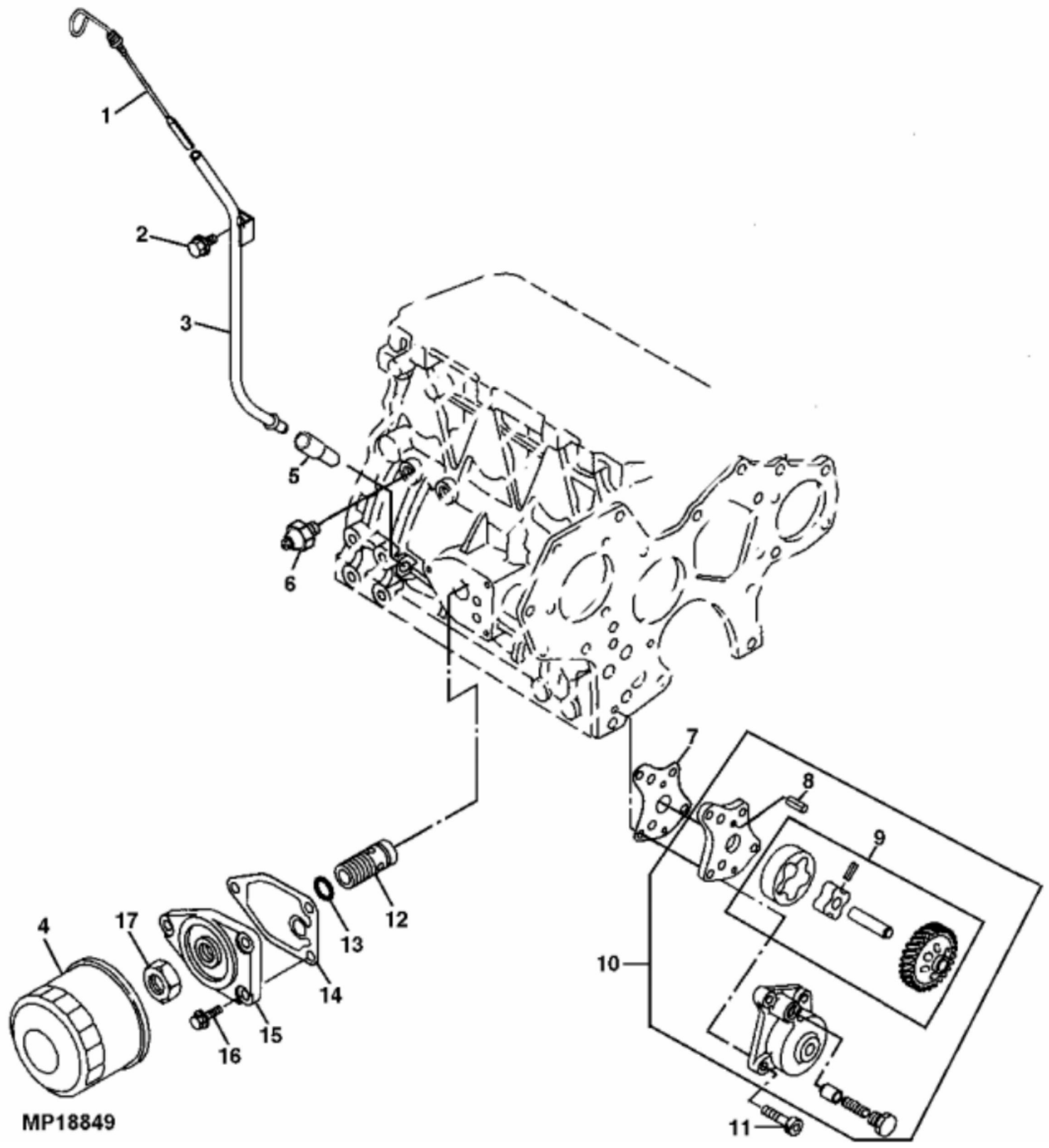
KEY	PART NO.	PART NAME	QTY	REMARKS
1	19M7402	CAP SCREW	8	M10 X 25
2	M810326	HOUSING	1	FLYWHEEL, (SUB FOR M810120)
3	M802255	PIN	1	
4	M64850	SEALANT	1	(2.8 OZ TUBE)
5	M805278	SEAL	1	
6	AM875375	CASE	1	(SUB FOR RG60617)
7	M808308	BOLT	9	
8	CH15738	CAP	4	
9	M132855	PLATE	1	
10	19M7865	SCREW	2	M8 X 16
11	19M9001	SCREW	4	M12 X 185



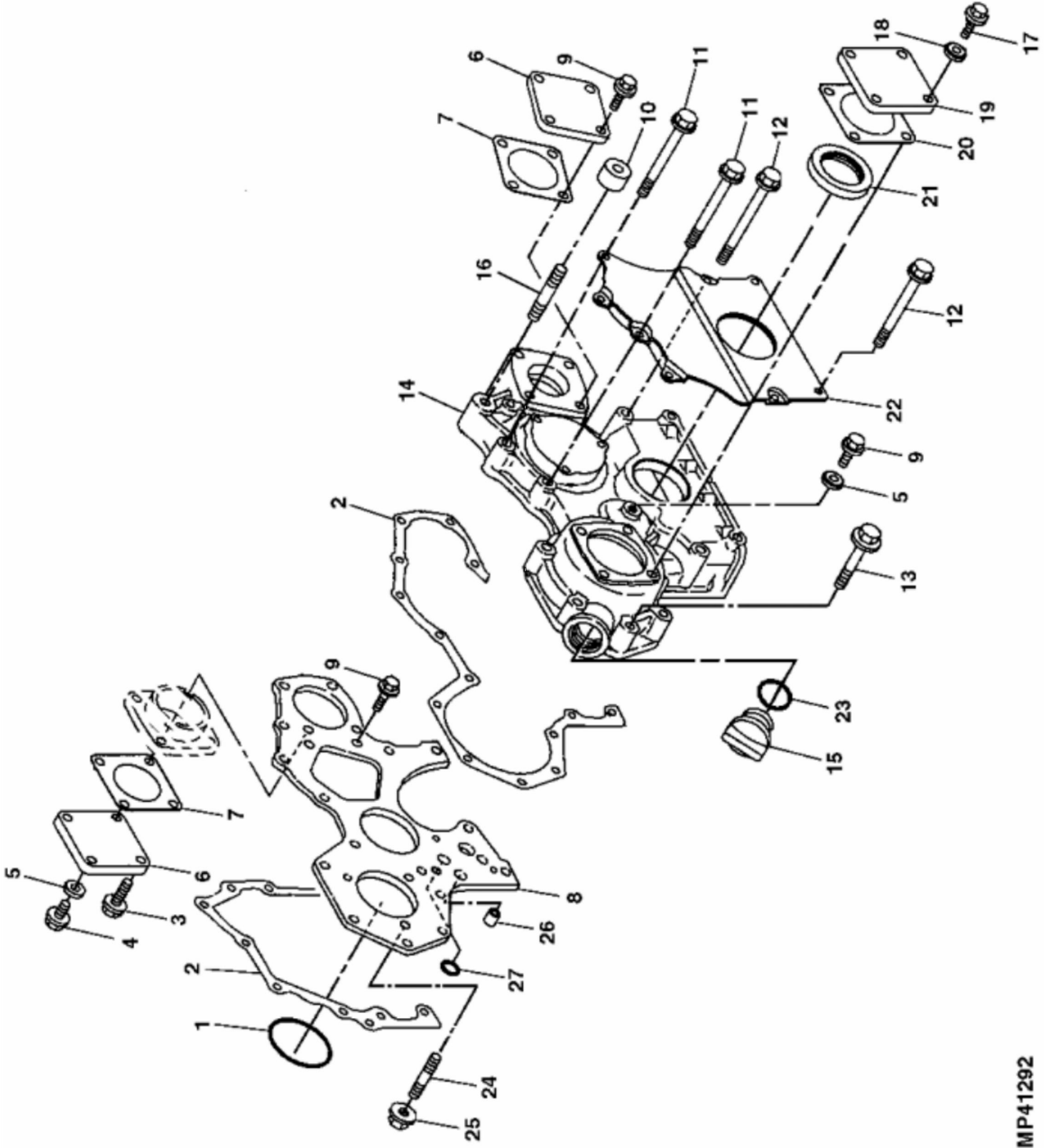
MP36220



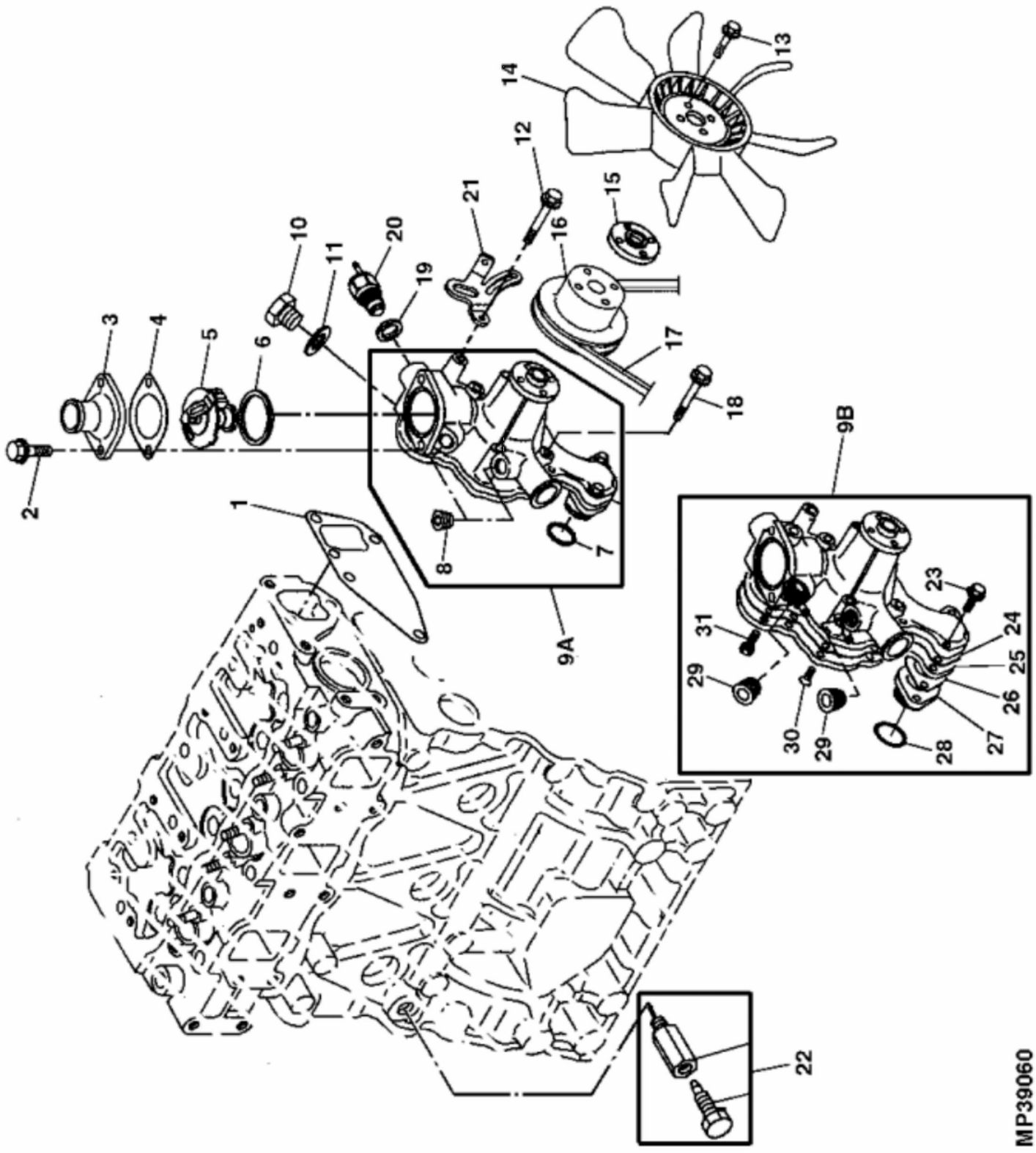
KEY	PART NO.	PART NAME	QTY	REMARKS
1	T110645	PIPE PLUG	1	
2	M64850	LIQUID GASKET	1	
3	M804337	OIL PAN	1	NLA, (ENGINE MARKED 4TNE84)
3	M808639	OIL PAN	1	(ENGINE MARKED 4TNV84)
4	T111562	BOLT	4	
5	M810314	COVER	1	(SUB FOR M804338) (SUB AM881955)
6	M806433	WASHER	1	
7	T111565	PLUG	1	
8	19M7864	BOLT	20	
9	CH19093	BOLT	14	
10	19M7800	BOLT	8	
11	M811792	GASKET	1	(SUB FOR M805829)
12	AM877278	STRAINER	1	
13	19M7897	BOLT	2	
14	19M7162	CAP SCREW	1	M8 X 16
15	24M7055	WASHER	1	8.400 X 16 X 1.600 mm
16	12M7065	LOCK WASHER	1	8 mm
17	AM881955	OIL PAN	1	



KEY	PART NO.	PART NAME	QTY	REMARKS
1	M808654	DIPSTICK	1	
2	19M7864	SCREW	1	M8 X 12
3	M808657	GUIDE	1	
4	M806419	OIL FILTER	1	
5	M89143	GUIDE	1	
6	M809526	SWITCH	1	
7	M801005	GASKET	1	
8	CH10539	SPRING PIN	2	
9	.....	ROTOR	1	
10	AM878891	OIL PUMP	1	
11	M800676	BOLT	4	
12	AM880983	HYDRAULIC PRESSURE VALVE	1	(SUB FOR M806738)
13	CH10570	O-RING	1	
14	M805830	GASKET	1	
15	M801000	BRACKET	1	
16	19M7866	SCREW	3	M8 X 20
17	M89148	NIUT	1	

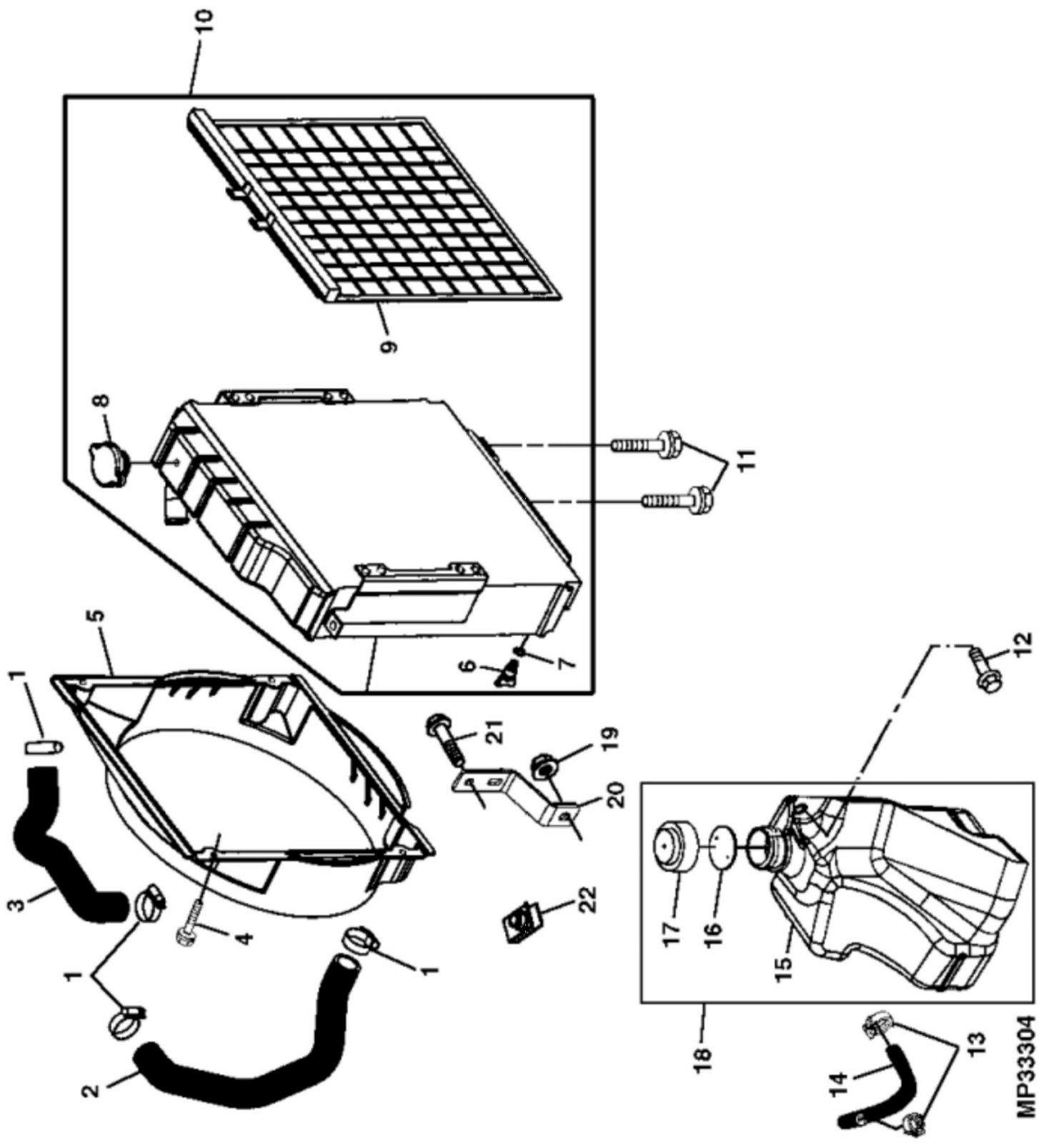


KEY	PART NO.	PART NAME	QTY	REMARKS
1	CH16940	O-RING	1	
2	M64850	SEALANT	1	
3	19M7868	SCREW	3	M8 X 30
4	19M7866	SCREW	1	M8 X 20
5	M803523	WASHER	4	
6	CH18096	COVER	2	
7	M805696	GASKET	2	
8	M808636	FLANGE	1	
9	19M7865	SCREW	8	M8 X 16
10	M808678	SPACER	1	
11	19M7803	SCREW	4	M8 X 70
12	CH19136	BOLT	2	
13	CH19101	BOLT	5	
14	AM880594	GEAR CASE	1	(INCLUDES PARTS MARKED (A))
15	M805710	CAP	1	OIL FILL
16	M805156	STUD	1	
17	19M7864	SCREW	4	M8 X 12
18	M803523	WASHER	4	
19	CH18096	COVER	1	
20	M805696	GASKET	1	
21	M800988	SEAL	1	(A)
22	M809438	SHIELD	1	(INCLUDES DAMPER SHIELD AND FOAM)
23	M805711	PACKING	1	
24	CH15722	STUD	3	
25	14M7298	FLANGE NUT	3	M8
26	M800974	DOWEL PIN	2	
27	CH10570	O-RING	2	



MP39060

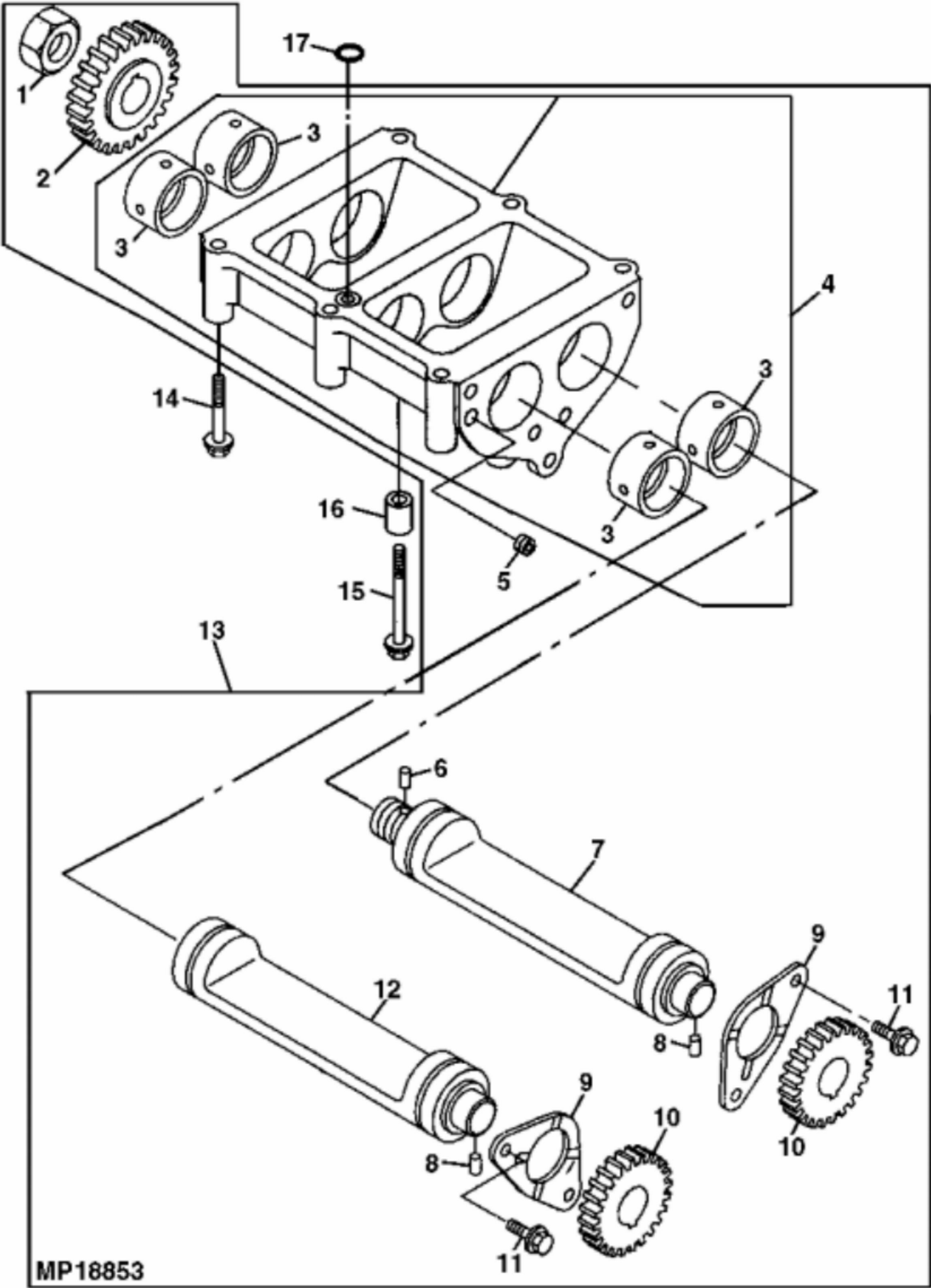
KEY	PART NO.	PART NAME	QTY	REMARKS
1	M809668	GASKET	1	WATER PUMP
2	19M7867	SCREW	2	M8 X 25
3	CH15535	COVER	1	THERMOSTAT
4	M805834	GASKET	1	
5	M811034	THERMOSTAT	1	(SUB FOR M801088)
6	M805835	GASKET	1	
7	M810636	O-RING	1	
8	M810638	PLUG	3	
9A	AM881419	WATER PUMP	1	(SUB FOR AM878937) (SUB M1A880462)
9B	M1A880462	WATER PUMP	1	
10	M800312	PLUG	1	
11	CH13814	WASHER	1	
12	19M7801	SCREW	1	M8 X 60
13	M801763	BOLT	4	
14	M809977	FAN	1	USE W/ MIU803029 PULLEY
15	M801762	PLATE	1	
16	MIU803029	PULLEY	1	D=130 MM, SUB FOR T111553
17	LVU11661	BELT	1	41", USE W/ MIU803029 AND 40A ALT (BLUE LABEL)
17	LVU11662	BELT	1	41.5", USE W/ MIU803029 AND 55A ALT (RED LABEL)
18	19M7979	SCREW	3	M8 X 55
19	T110737	GASKET	1	
20	T110736	SENSOR	1	COOLANT TEMPERATURE
21	M808684	ADJUSTER	1	
22	AM100800	DRAIN VALVE	1	
23	19M7862	SCREW	2	M6 X 20, (SUB FOR M87820)
24	M810823	GASKET	1	
25	MIU800236	PLATE	1	
26	M810824	GASKET	1	(SUB FOR MIU800684)
27	M801758	PIPE	1	(SUB FOR MIU800683)
28	M810636	O-RING	1	
29	.....	PLUG	2	
30	.....	SCREW	2	
31	19M7560	CAP SCREW	3	M6 X 16



MP33304

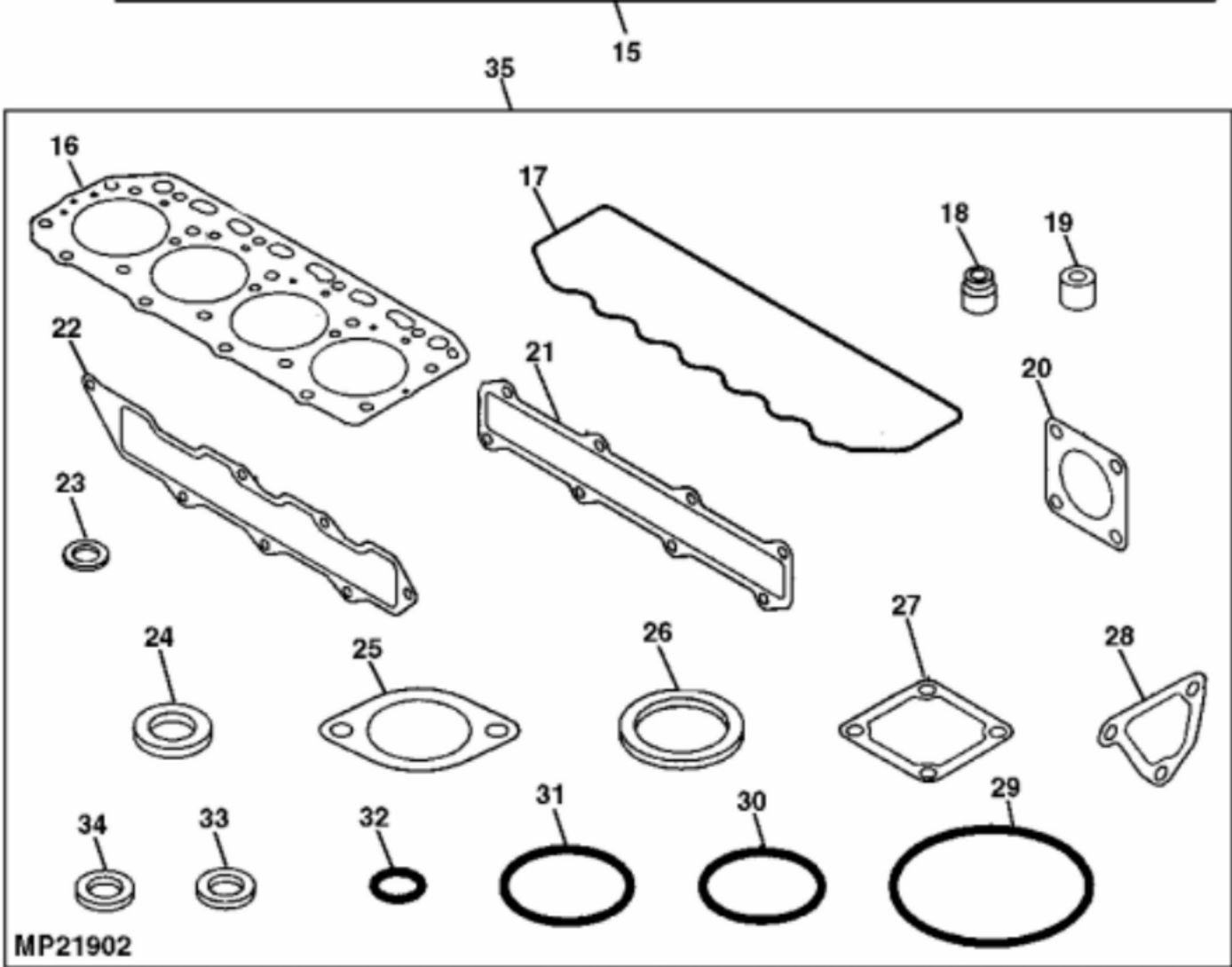
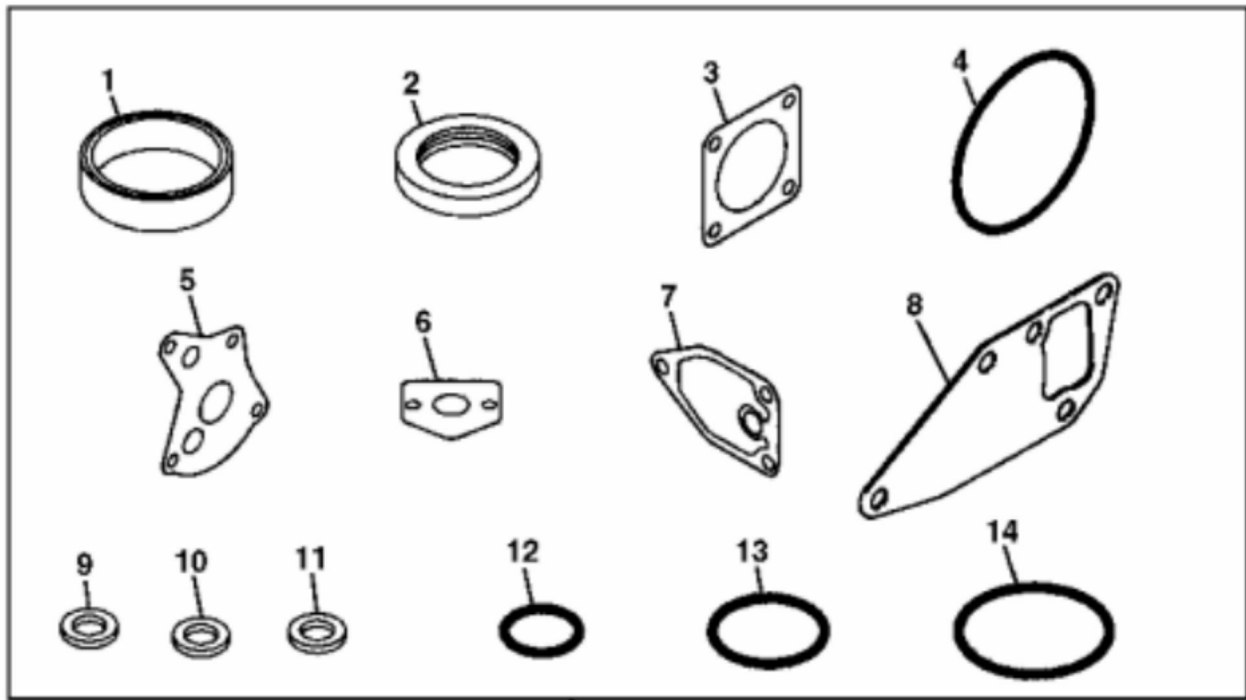


KEY	PART NO.	PART NAME	QTY	REMARKS
1	TY22467	CLAMP	4	
2	M132273	HOSE	1	LOWER
3	M132272	RADIATOR HOSE	1	UPPER
4	19M7774	SCREW	4	M6 X 12
5	AM125309	SHROUD	1	
6	AM103347	DRAIN VALVE	1	
7	M71417	O-RING	1	NLA
8	AM102893	FILLER CAP	1	
9	AM126470	SCREEN	1	
10	LVA12320	RADIATOR	1	ORDER AM125285
10	AM125285	RADIATOR	1	
11	19M7867	BOLT	2	
12	19M7784	BOLT	1	
13	R56101	CLIP	2	
14	.....	HOSE	1	COOLANT OVERFLOW, (MAKE FROM TY22559)
15	.....	TANK	1	COOLANT
16	.....	SEAL	1	
17	.....	FILLER CAP	1	
18	AM124595	CONTAINER	1	(SUB COMPONENTS)
19	14M7296	FLANGE NUT	1	M10
20	M134412	SUPPORT	1	COOLANT TANK
21	19M7864	BOLT	2	
22	M84972	NIUT	2	



MP18853

KEY	PART NO.	PART NAME	QTY	REMARKS
1	M804364	NUT	1	
2	M804368	GEAR	1	BALANCER A
3	M808705	BUSHING	4	
4	AM880311	CASE	1	
5	M808706	PLUG	1	
6	CH16793	PIN	3	
7	.....	BALANCER SHAFT	1	
8	.....	PIN	2	
9	M804371	THRUST BEARING	2	
10	M804370	GEAR	2	BALANCER B
11	CH19780	BOLT	4	
12	.....	BALANCER SHAFT	1	
13	AM880310	BALANCER	1	
14	19M7801	SCREW	4	M8 X 60
15	M87885	BOLT	2	
16	M804365	PIN	2	
17	CH10569	PACKING	1	



MP21902

**Please write to us.**

**Our email:**

**aservicemanualpdf@yahoo.com**

**Please go to the homepage  
to get the full manual, or  
other brand PDF manuals.**

**Home Site:**

**aservicemanualpdf.com**

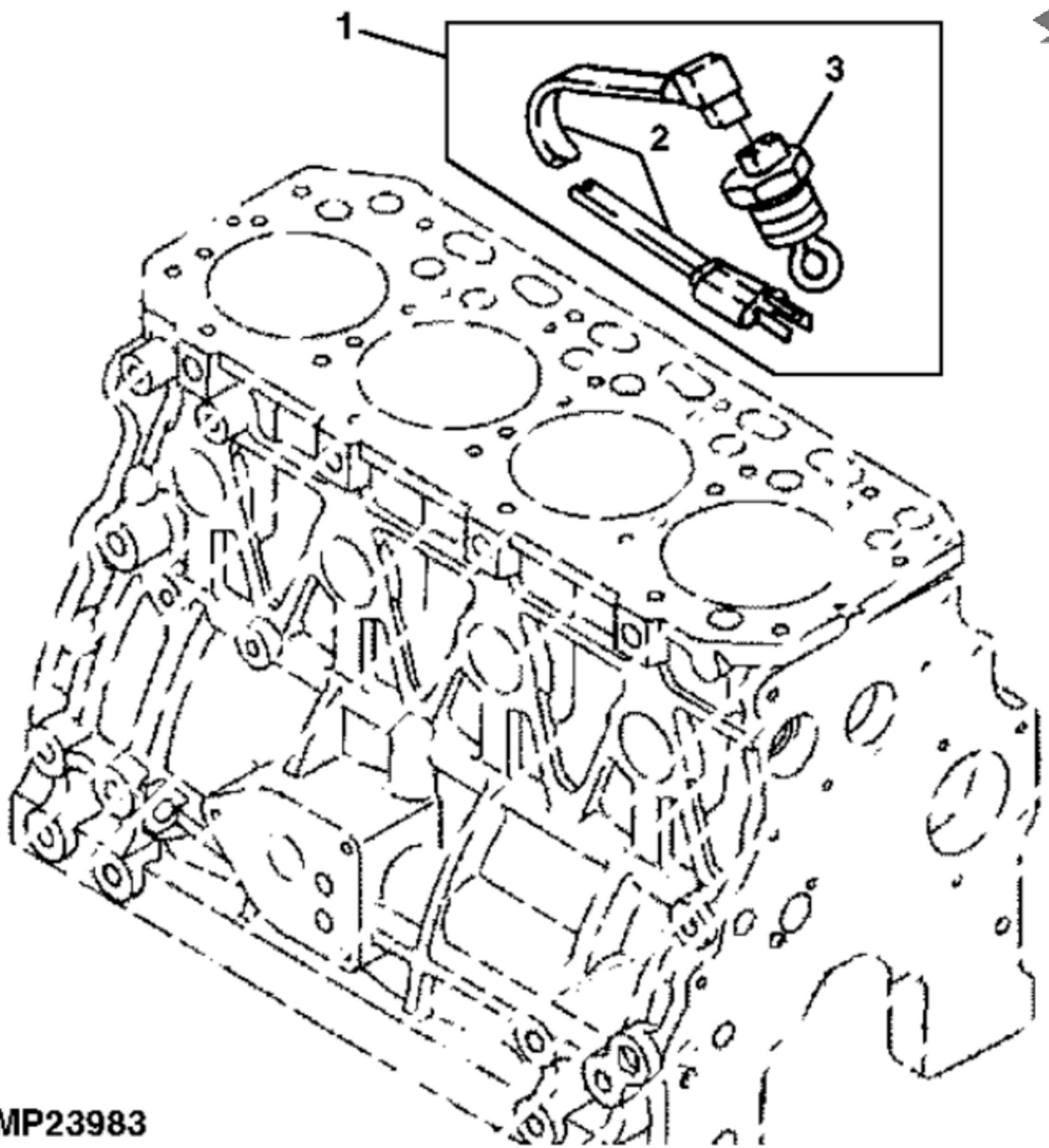
**Thank you very much for your reading. Please Click Here. Then Get COMPLETE MANUAL. NO WAITING**



**NOTE:**

**If there is no response to click on the link above, please download the PDF document first and then click on it.**

KEY	PART NO.	PART NAME	QTY	REMARKS
1	M805278	SEAL	1	
2	M800988	SEAL	1	
3	M805696	GASKET	1	
4	CH16940	O-RING	1	
5	M801005	GASKET	1	OIL PUMP
6	M811792	GASKET	1	STRAINER, (SUB FOR M805829)
7	M805830	GASKET	1	FILTER BRACKET
8	M809668	GASKET	1	WATER PUMP
9	M803523	WASHER	5	(SUB FOR M806424)
10	CH10554	PACKING	1	
11	CH10555	WASHER	2	
12	CH10570	O-RING	2	
13	CH11564	PACKING	1	
14	M805711	PACKING	1	
15	AM878603	GASKET KIT	1	ENGINE BLOCK
16	M806505	ENGINE CYLINDER HEAD GASKET	1	
17	M801230	GASKET	1	ROCKER COVER
18	T110650	SEAL	8	
19	M801016	GUARD	4	(SUB FOR M810460)
20	M805838	GASKET	1	MUFFLER
21	RG60628	GASKET	1	EXHAUST MANIFOLD
22	RG60625	GASKET	1	INTAKE MANIFOLD
23	M801017	SEAT	4	NOZZLE
24	CH13814	WASHER	1	
25	M805834	GASKET	1	THERMOSTAT
26	M805835	GASKET	1	THERMOSTAT
27	M805836	GASKET	1	AIR HEATER
28	M801271	GASKET	1	CASE
29	M801034	O-RING	1	
30	M804492	O-RING	1	
31	M805711	PACKING	1	
32	CH10568	PACKING	3	
33	MIU802134	PACKING	2	SUB FOR CH10556
34	CH10085	PACKING	2	
35	RG60669	GASKET KIT	1	CYLINDER HEAD



**MP23983**



KEY	PART NO.	PART NAME	QTY	REMARKS
1	AR87167	KIT	1	COOLANT HEATER
2	AR87168	POWER CORD	1	
3	AR87184	COOLANT HEATER	1	