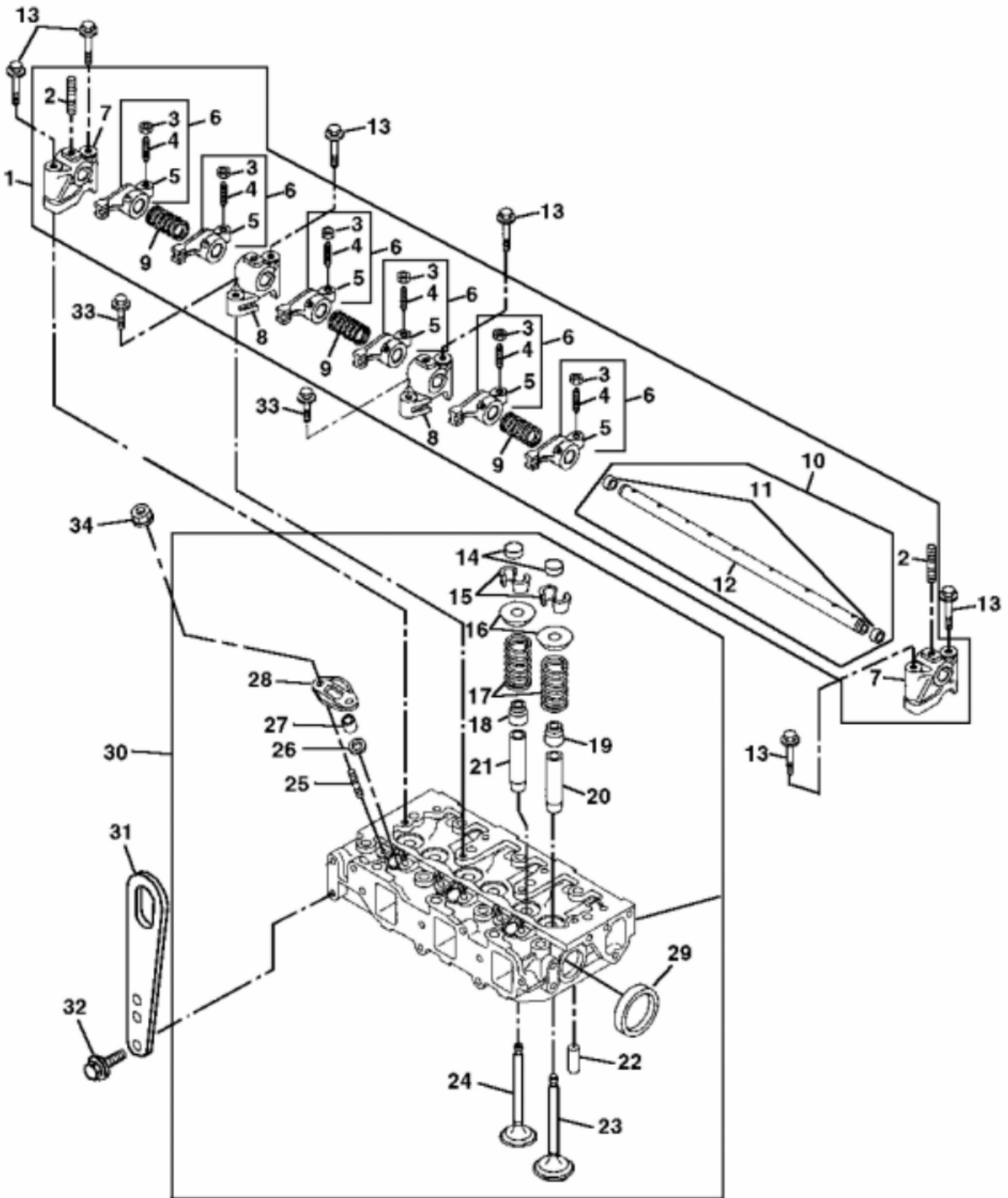


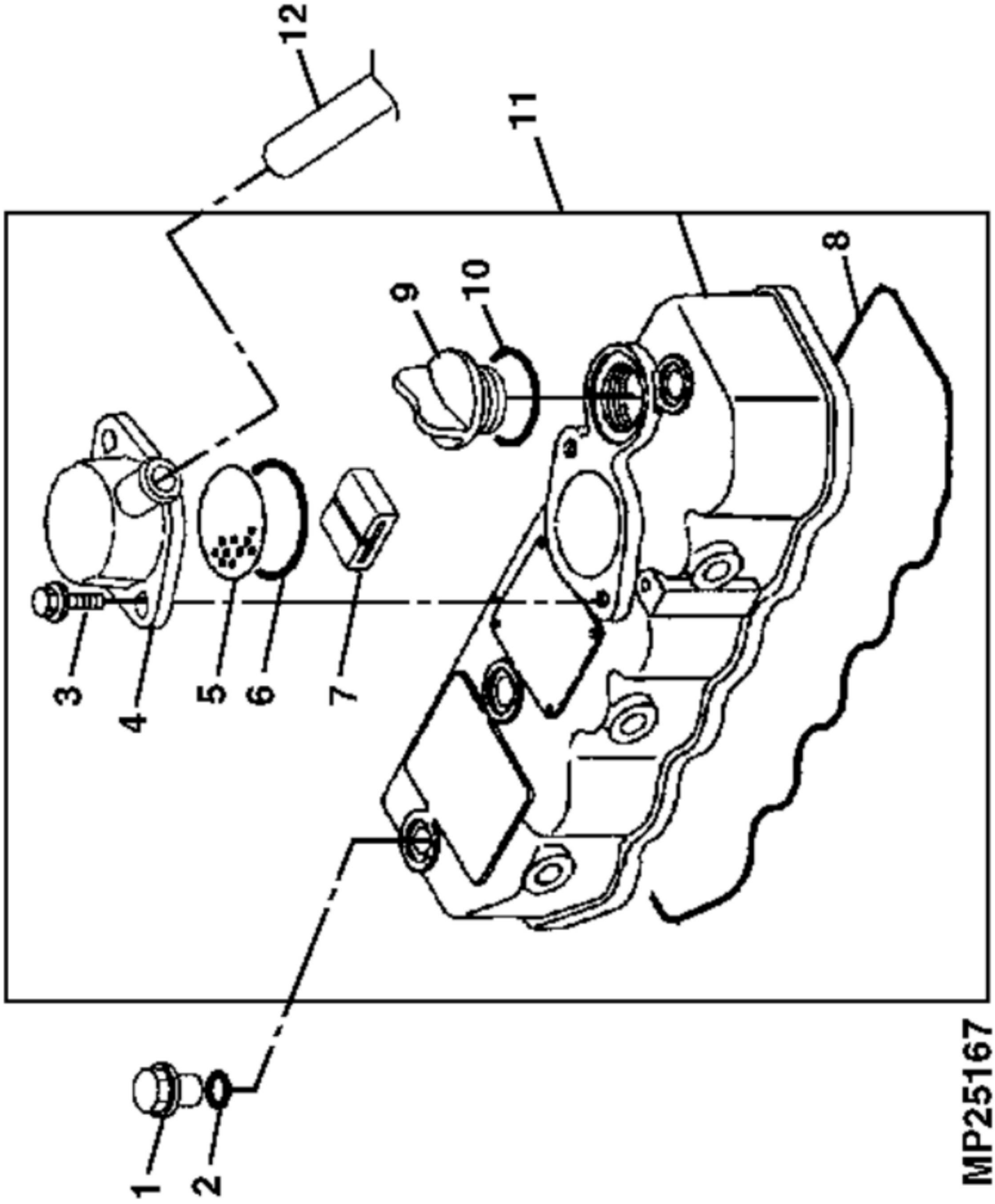
MP28670

KEY	PART NO.	PART NAME	QTY	REMARKS
1	M801186	BOLT	14	
2	M806811	ENGINE CYLINDER HEAD GASKET	1	
3	AM878845	CYLINDER BLOCK	1	
4	CH10335	PLUG	3	
5	EPC200680	PLUG	1	
6	M802255	PIN	4	
7	DRAIN PLUG	1	
8	CH18079	SPRING PIN	2	
9	30M7023	PLUG	6	
10	15H562	PIPE PLUG	1	1"
11	M800977	BUSHING	1	CAMSHAFT
12	M800978	SHAFT	1	IDLER
13	CH19101	BOLT	2	
14	M87801	PLUG	2	
15	M800974	PIPE	2	
16	MIA880555	BEARING	2	THRUST, (SUB FOR AM875373)
17	AM875371	BEARING KIT	4	MAIN, STD
17	MIA880550	BEARING	4	.25MM (.010") US, MAIN, (SUB FOR AM875374)
18	BEARING CAP	3	
19	M801189	BOLT	8	
20	BEARING CAP	1	
21	LVU12384	HEAT SHIELD	1	RH
22	LVU12389	HEAT SHIELD	1	LH
23	19M7785	BOLT	1	M10 X 25
24	19M7864	BOLT	2	M8 X 12
25	19M7866	BOLT	1	M8 X 20
26	19M7784	BOLT	1	M10 X 20
27	14M7298	FLANGE NUT	1	M8
28	24M7213	WASHER	1	10.500 X 25 X 4 mm
29	R183947	SPACER	1	(SUB FOR LVU13714)
..	AM131603	ENGINE	1	(MARKED 3TNE88-EJT441) (SUB AM880569)
..	AM880569	SHORT BLOCK ASSEMBLY	1	
..	LVU13639	SEAL	1	RH AIRDAM SHIELD
..	LVU13645	SEAL	1	LH AIRDAM SHIELD
..	LVU10366	ISOLATOR	1	BOTTOM AIRDAM SHIELD



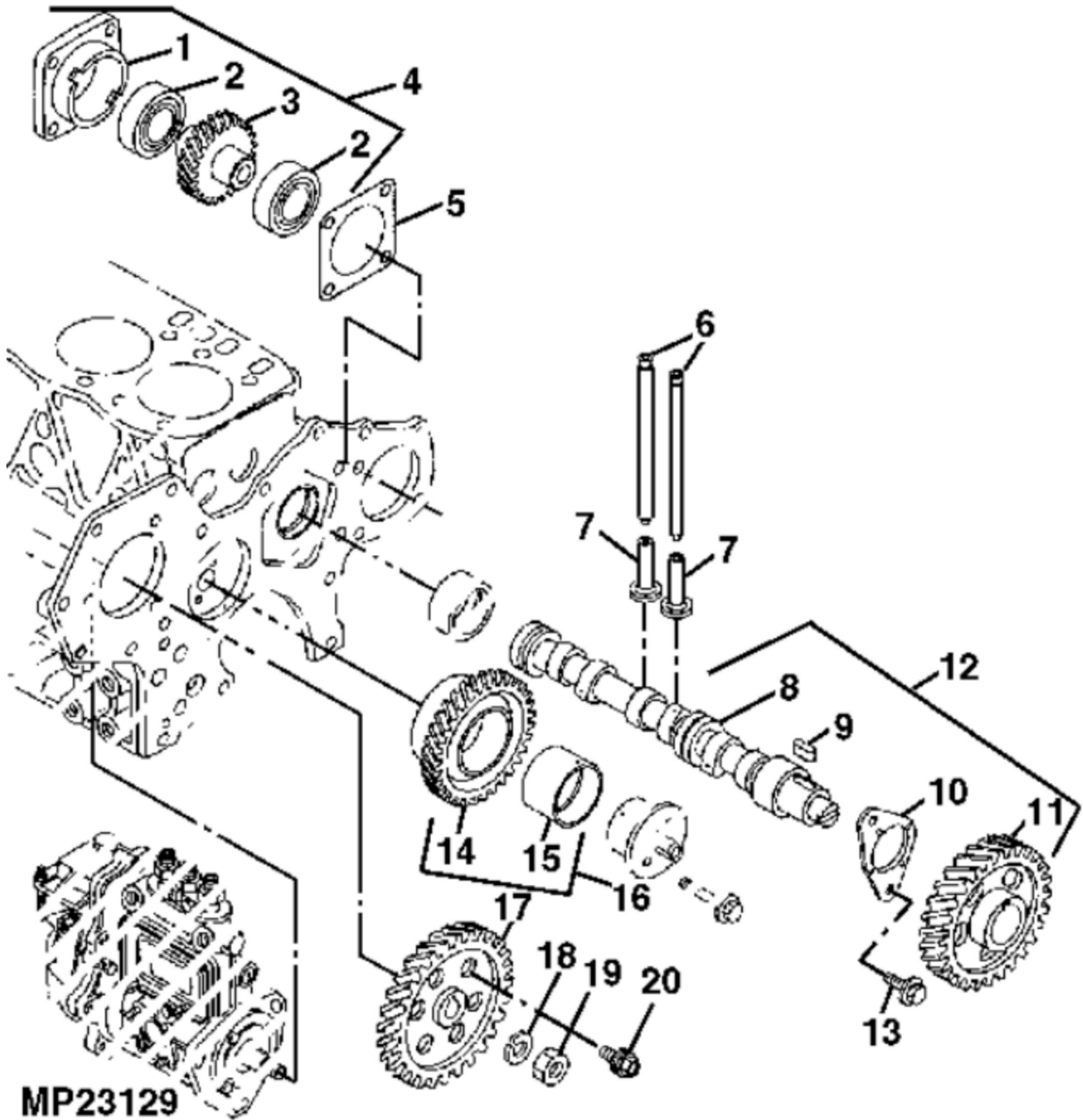
MP25255

KEY	PART NO.	PART NAME	QTY	REMARKS
1	AM875533	SUPPORT	1	
2	M801024	STUD	3	
3	M801028	NUT	1	
4	M801027	SCREW	1	
5	ROCKER ARM	1	
6	AM875383	ROCKER ARM	6	
7	M801022	SUPPORT	2	ROCKER ARM
8	M801023	SUPPORT	2	ROCKER ARM
9	M801025	SPRING	3	
10	AM875534	SHAFT	1	
11	M800002	PLUG	2	
12	ROCKER ARM SHAFT	1	
13	19M7800	SCREW	6	M8 X 50
14	M801224	CAP	6	
15	CH10067	RETAINER	3	NLA, (2 PER PKG)
16	M801223	RETAINER	6	SPRING
17	M801222	SPRING	6	VALVE
18	T110650	SEAL	3	EXHAUST VALVE
19	CH10450	SEAL	3	INTAKE VALVE
20	M801227	GUIDE	3	INTAKE VALVE
21	M801228	GUIDE	3	EXHAUST VALVE
22	CH18079	SPRING PIN	2	
23	M801220	INTAKE VALVE	3	
24	M801221	EXHAUST VALVE	3	
25	M801219	STUD	6	
26	M801017	VALVE SEAT	3	
27	M801016	GUARD	3	(SUB FOR M806732 AND M810460)
28	M801018	RETAINER	3	
29	CH16751	PLUG	2	
30	AM880362	CYLINDER HEAD	1	
31	AT211695	LIFT ARM	2	
32	19M7865	SCREW	4	M8 X 16
33	19M7867	SCREW	2	M8 X 25
34	14M7303	FLANGE NUT	6	M6

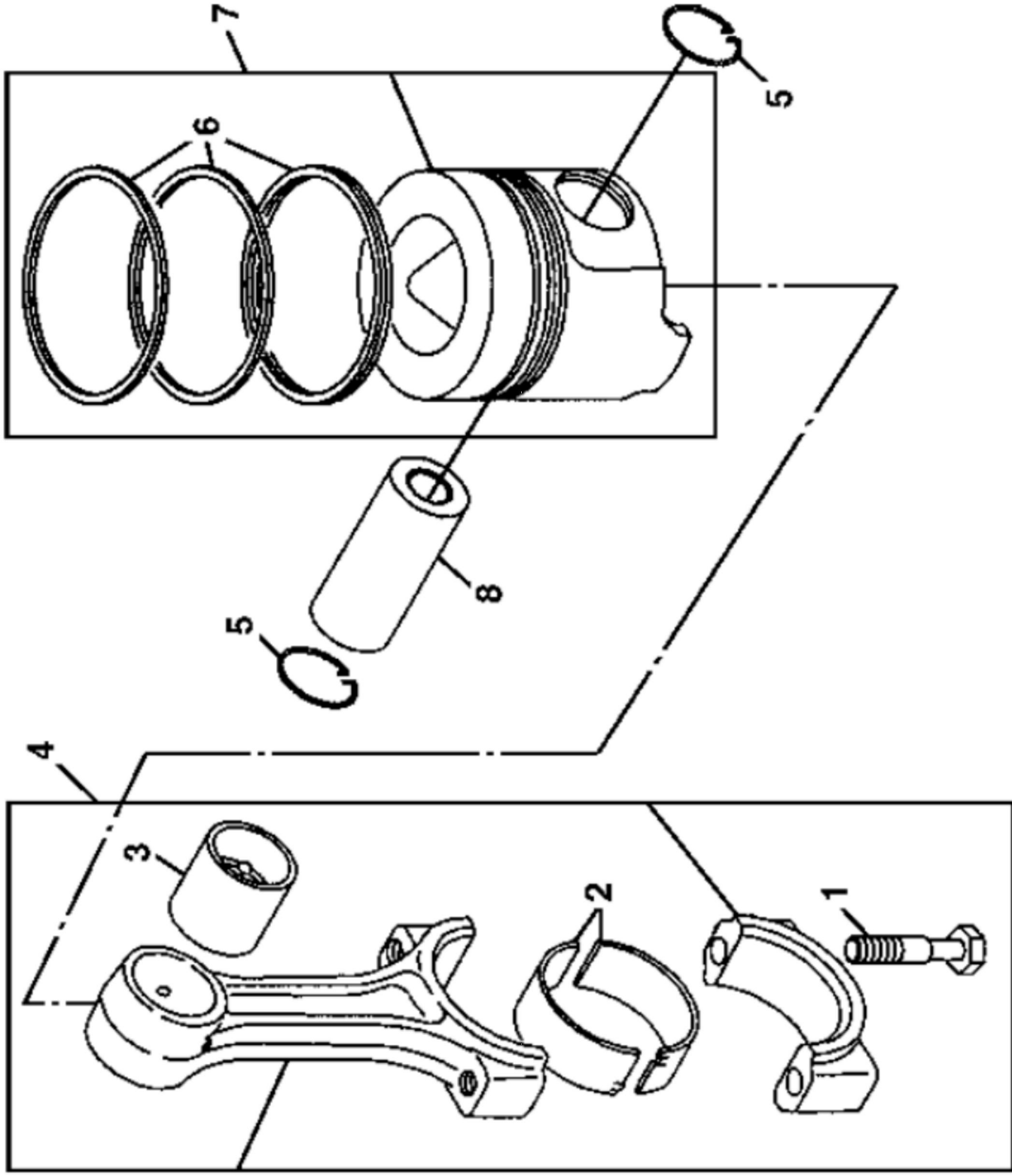


MP25167

KEY	PART NO.	PART NAME	QTY	REMARKS
1	CH10348	NUT	3	
2	CH10568	PACKING	3	
3	19M7865	SCREW	2	M8 X 16
4	M801031	CAP	1	
5	M801033	PLATE	1	
6	M801034	O-RING	1	
7	M801032	DEFLECTOR	1	
8	M801741	PACKING	1	
9	M805710	CAP	1	
10	M805711	PACKING	1	
11	AT110858	VALVE COVER	1	
12	M804268	HOSE	1	BREATHER

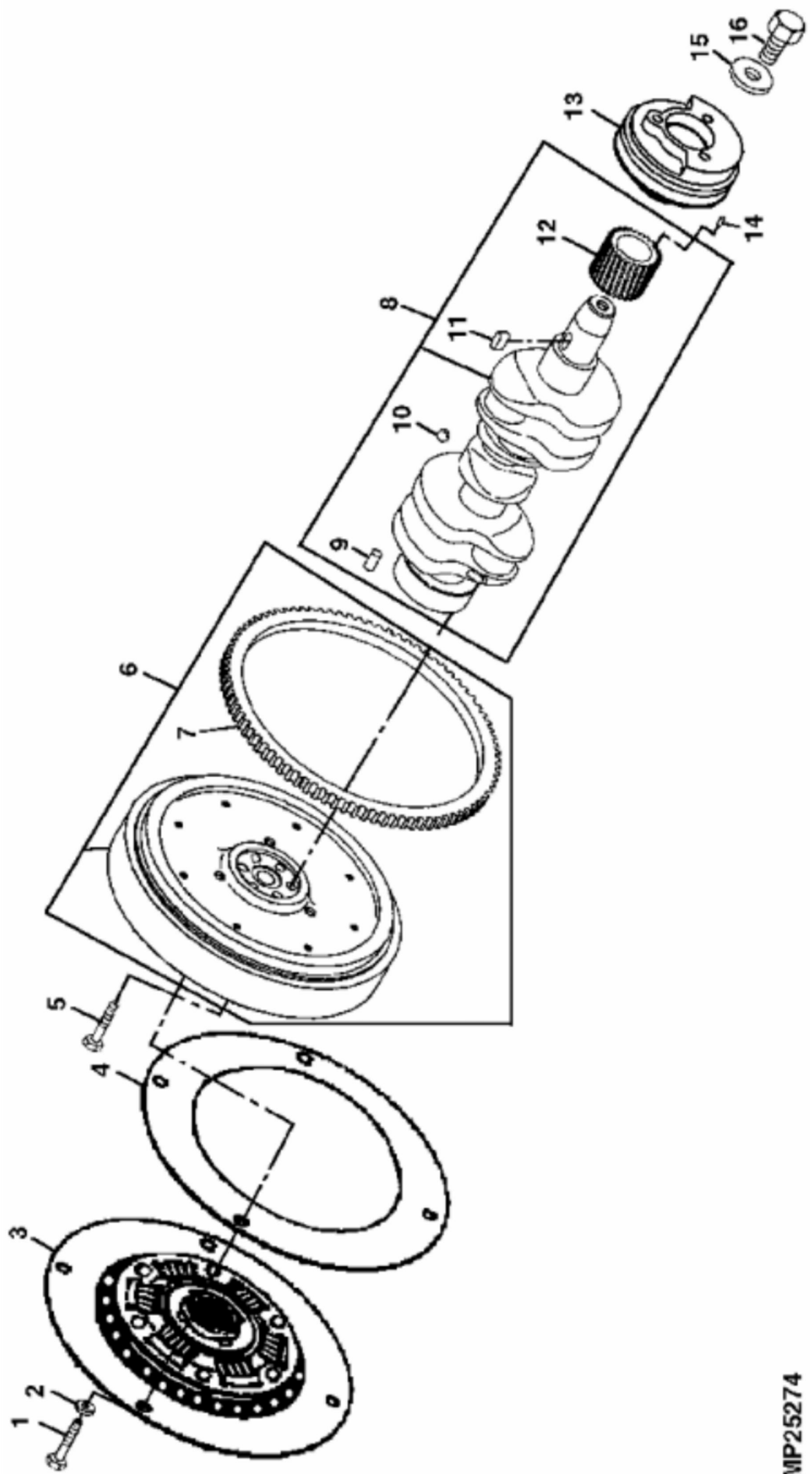


KEY	PART NO.	PART NAME	QTY	REMARKS
1	M802618	BRACKET	1	
2	CH13505	BALL BEARING	2	
3	GEAR	1	
4	AM876339	GEAR	1	H.O. PUMP
5	M805840	GASKET	1	
6	M801238	PUSH ROD	6	
7	M801046	CAM FOLLOWER	6	
8	CAMSHAFT	1	
9	M801045	SHAFT KEY	1	
10	THRUST BEARING	1	
11	GEAR	1	CAMSHAFT
12	AM876430	CAMSHAFT	1	
13	CH19780	BOLT	2	
14	GEAR	1	IDLE
15	M801050	BUSHING	1	
16	AM875315	GEAR	1	
17	M809488	GEAR	1	FUEL INJECTION PUMP
18	12M7067	LOCK WASHER	1	12 mm
19	14M7275	NIUT	1	M12
20	BOLT	4	



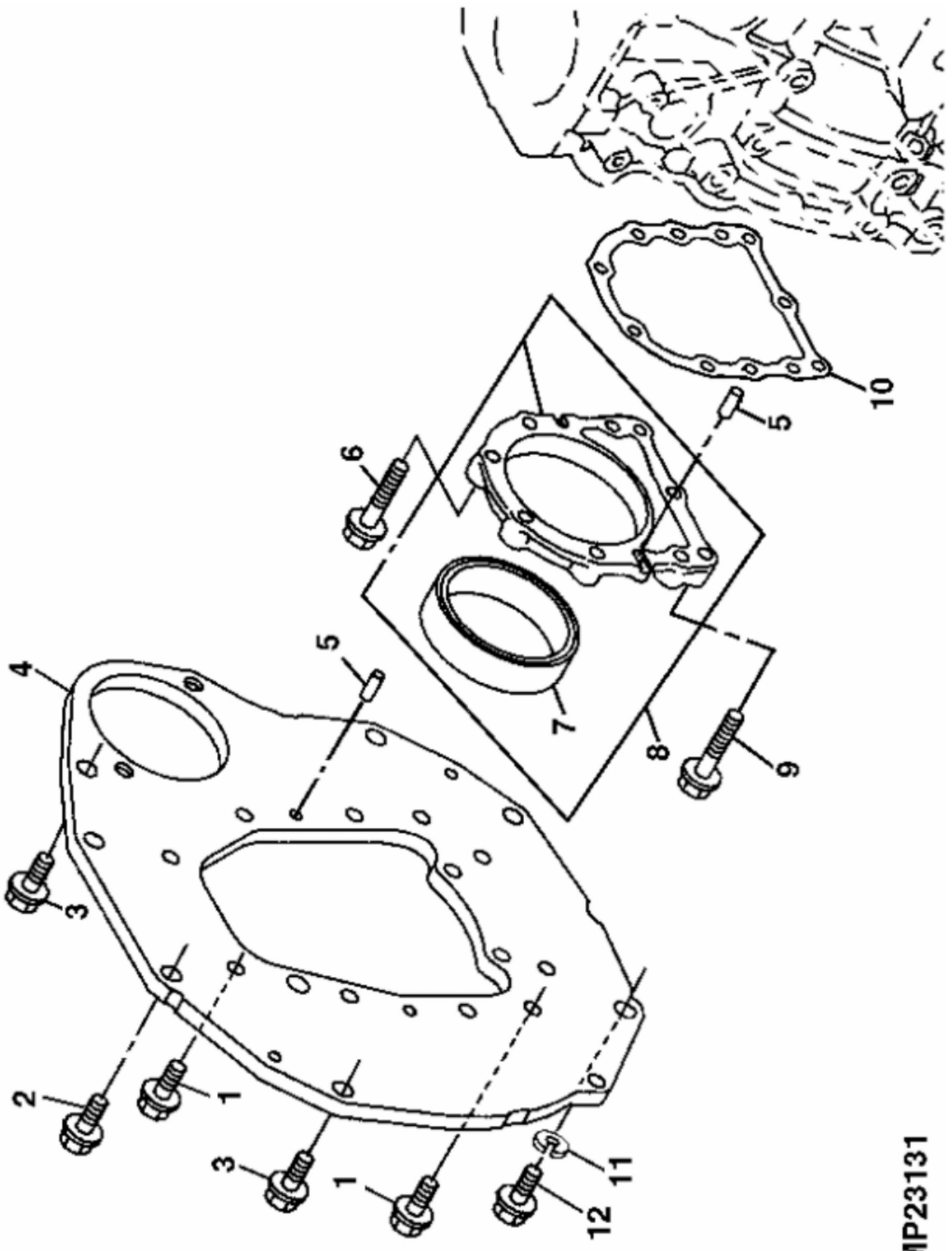
MP18666

KEY	PART NO.	PART NAME	QTY	REMARKS
1	CH15483	BOLT	2	
2	M1A880563	BEARING	1	STD, (SUB FOR AM875392)
2	M1A880568	BEARING	1	.25 MM (.010") US, (SUB FOR AM875395)
3	M801256	BEARING	1	
4	AM875391	CONNECTING ROD	4	
5	M806457	CLIP	8	
6	AM879901	PISTON RING	1	STD
6	AM878642	PISTON RING KIT	1	.25 MM (.010") OS
7	AM880521	PISTON REPLACEMENT KIT	1	STD
7	AM880518	PISTON REPLACEMENT KIT	1	.25 MM (.010") OS
8	M806456	PISTON PIN	4	



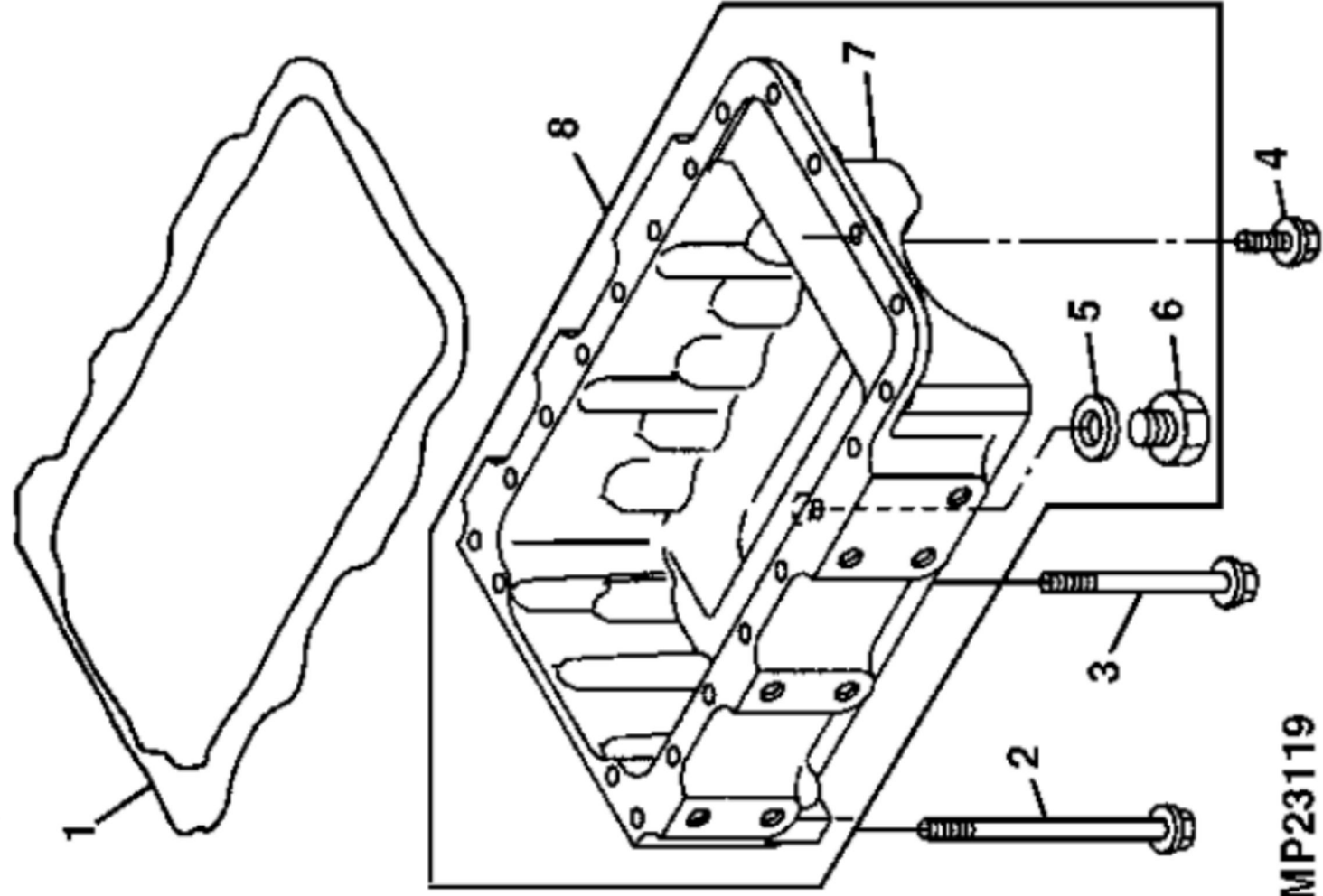
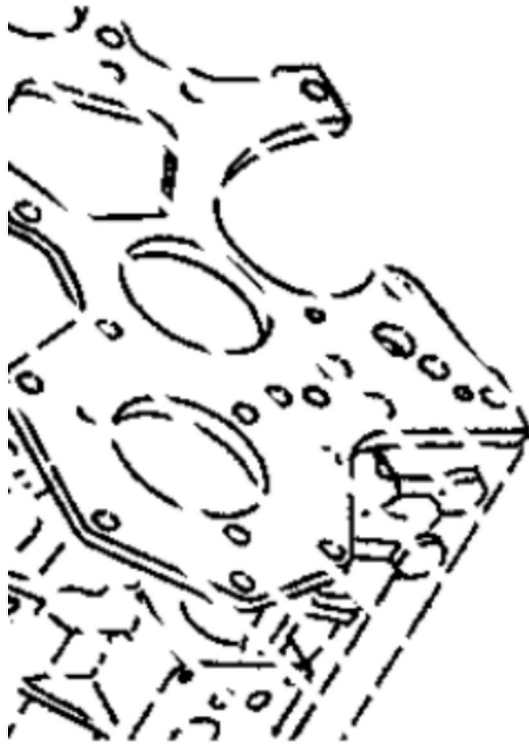
MP25274

KEY	PART NO.	PART NAME	QTY	REMARKS
1	19M7662	CAP SCREW	4	M10 X 30
2	24M7096	WASHER	4	10.500 X 18 X 1.600 mm
3	LVA14914	TORSIONAL DAMPER	1	(SUB FOR LVA10906, LVA12293 OR LVA13911)
4	SPACER	1	(NOT USED THIS APPLICATION)
5	CH19291	BOLT	6	
6	AM880930	FLYWHEEL	1	
7	CH10466	GEAR	1	
8	AM880894	CRANKSHAFT	1	
9	M802255	PIN	1	
10	400R	BALL	3	
11	M801045	SHAFT KEY	1	
12	M801053	GEAR	1	(NLA)
13	M809548	PULLEY	1	
14	CH12293	PIN	1	
15	M801055	WASHER	1	
16	CH16798	BOLT	1	



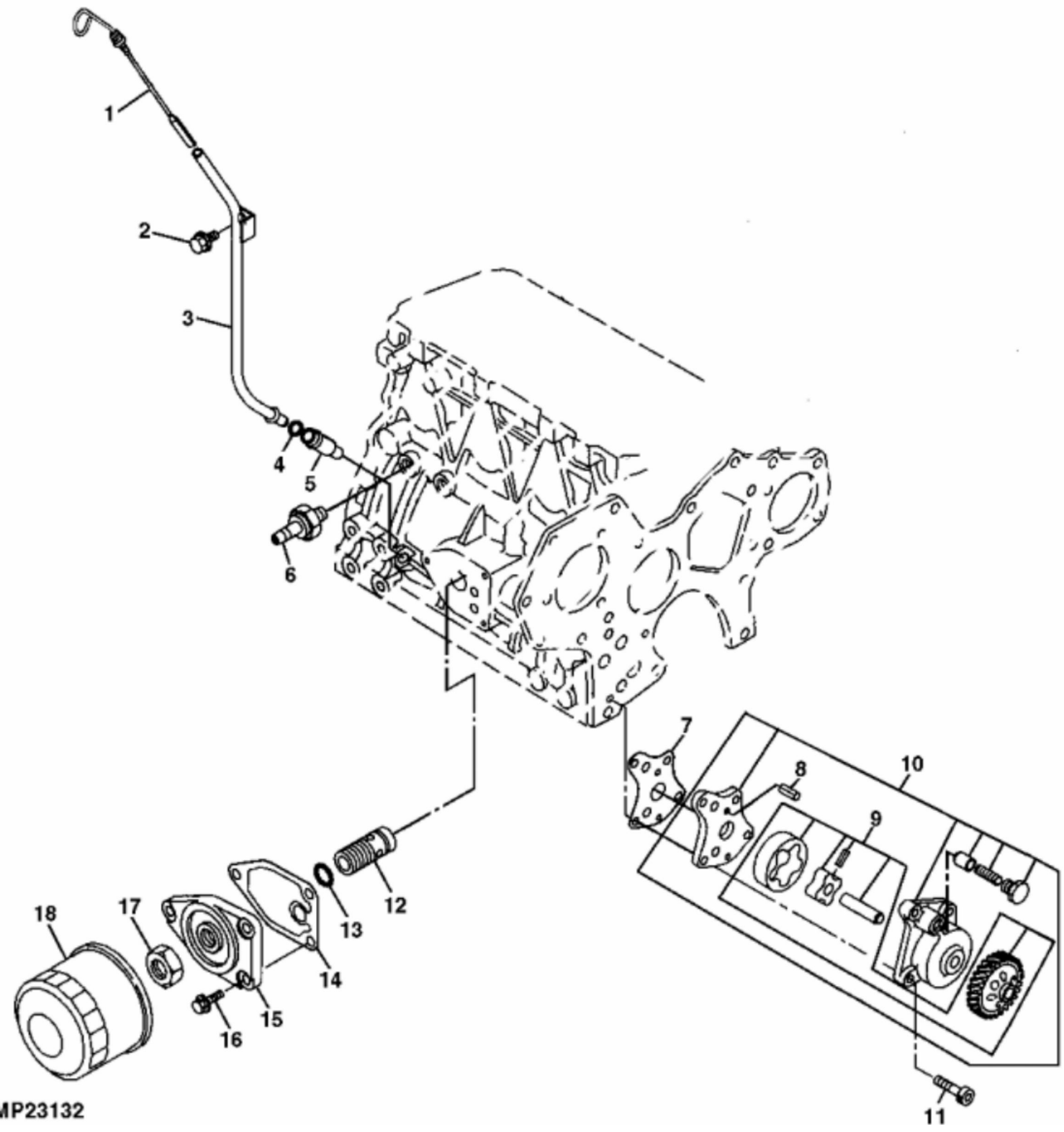
MP23131

KEY	PART NO.	PART NAME	QTY	REMARKS
1	M800011	BOLT	8	M10 X 20
2	19M8983	BOLT	2	
3	19M7790	BOLT	4	
4	M808634	FLANGE	1	MOUNTING
5	M802255	PIN	2	
6	M808308	BOLT	6	M8 X 30
7	M805278	SEAL	1	
8	AM875375	CASE	1	
9	19M7897	BOLT	3	
10	M64850	SEALANT	1	
11	24M7047	WASHER	2	13 X 24 X 2.500 mm
12	19M9108	BOLT	2	



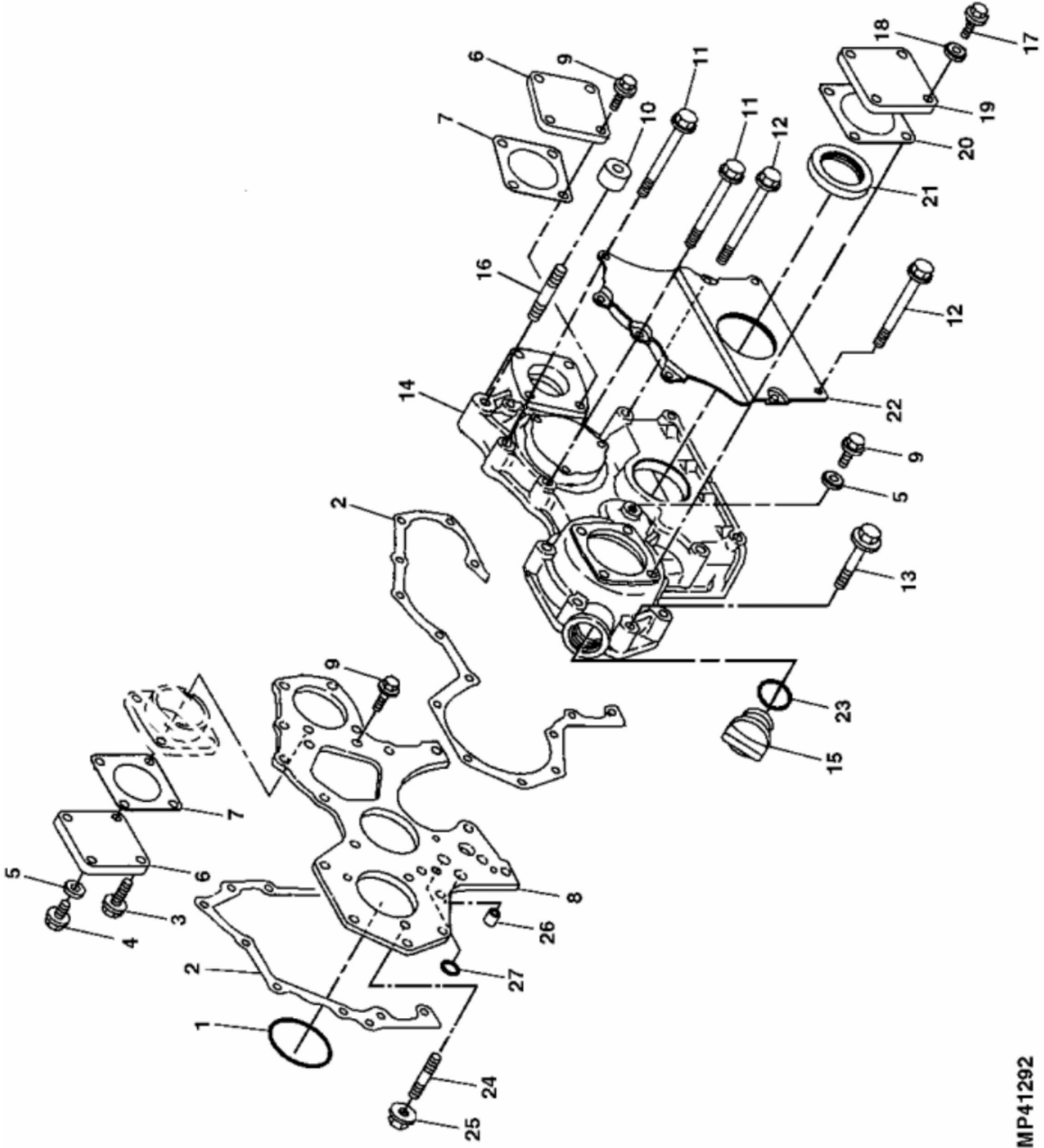
MP23119

KEY	PART NO.	PART NAME	QTY	REMARKS
1	M64850	SEALANT	1	(2.8 OZ TUBE)
2	T111562	BOLT	4	
3	CH19136	BOLT	12	
4	19M7867	BOLT	6	M8 X 25
5	M806433	WASHER	1	
6	T111565	PLUG	1	DRAIN
7	PAN	1	
8	AM880870	OIL PAN	1	
9	M811792	GASKET	1	(SUB FOR M805829)
10	M808659	STRAINER	1	
11	19M7897	BOLT	2	M8 X 35

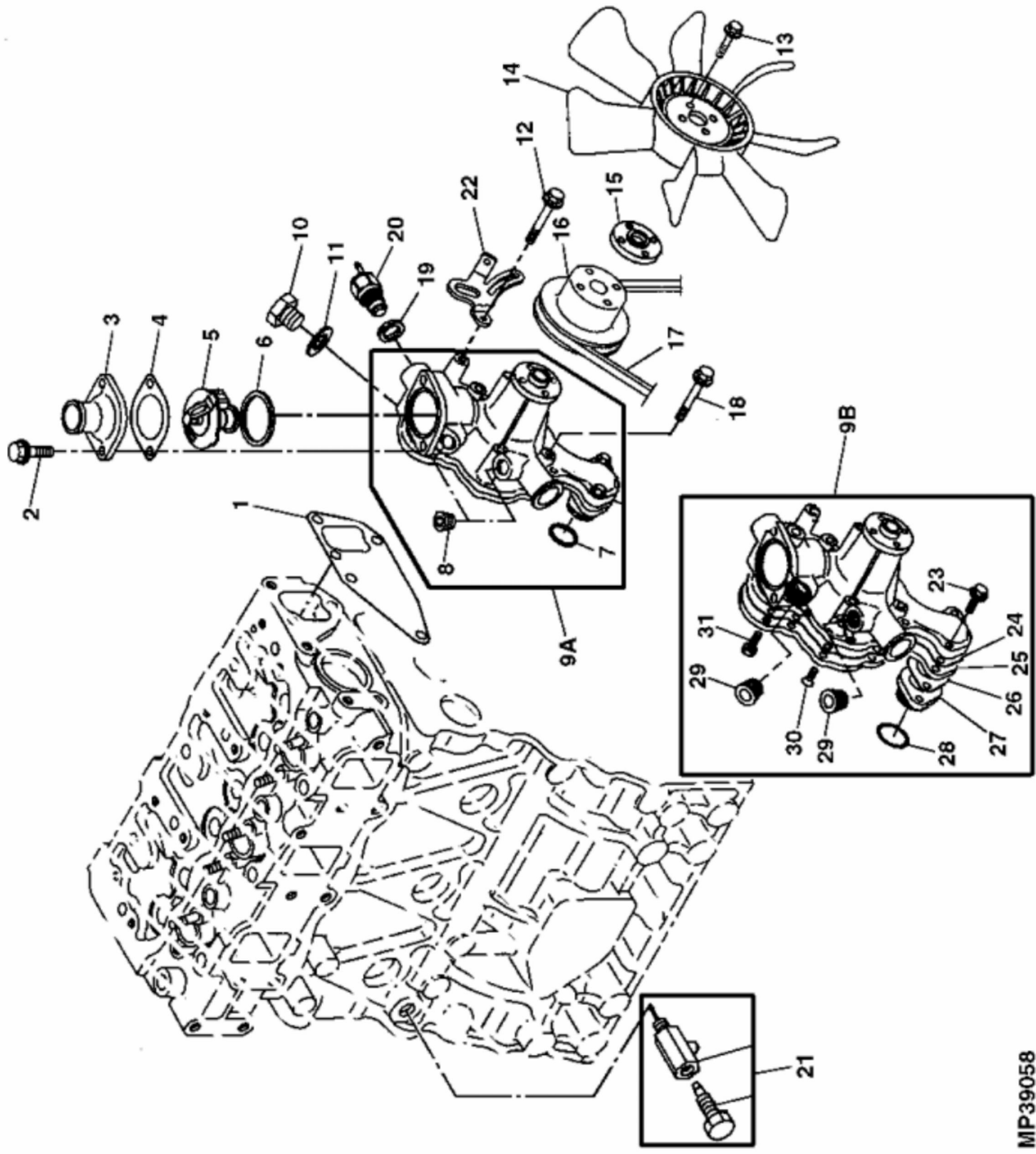


MP23132

KEY	PART NO.	PART NAME	QTY	REMARKS
1	M808653	DIPSTICK	1	
2	19M7865	BOLT	1	M8 X 16
3	M808656	GUIDE	1	
4	CH10571	PACKING	1	
5	M89143	GUIDE	1	
6	M809526	SWITCH	1	
7	M801005	GASKET	1	
8	SPRING PIN	2	
9	ROTOR	1	
10	M1A883558	OIL PUMP	1	SUB FOR AM878778
11	M800676	BOLT	4	
12	BOLT	1	
13	CH10570	O-RING	1	
14	M805830	GASKET	1	
15	M801000	BRACKET	1	
16	19M7866	BOLT	3	M8 X 20
17	M89148	NIUT	1	
18	M806419	OIL FILTER	1	

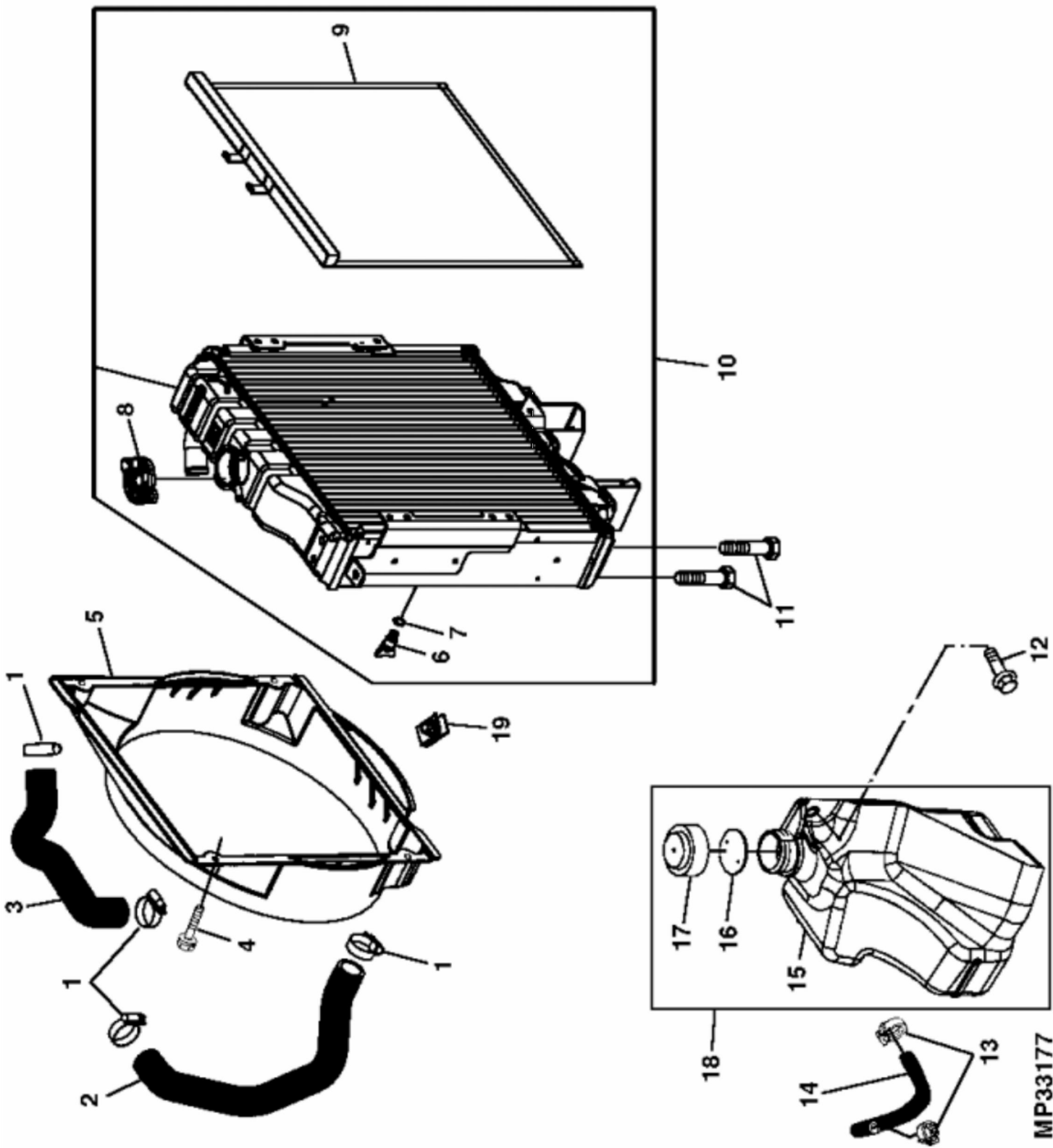


KEY	PART NO.	PART NAME	QTY	REMARKS
1	CH16940	O-RING	1	
2	M64850	SEALANT	1	
3	19M7868	SCREW	3	M8 X 30
4	19M7866	SCREW	1	M8 X 20
5	M803523	WASHER	4	
6	CH18096	COVER	2	
7	M805696	GASKET	2	
8	M808636	FLANGE	1	
9	19M7865	SCREW	8	M8 X 16
10	M808678	SPACER	1	
11	19M7803	SCREW	4	M8 X 70
12	CH19136	BOLT	2	
13	CH19101	BOLT	5	
14	AM880594	GEAR CASE	1	(INCLUDES PARTS MARKED (A))
15	M805710	CAP	1	OIL FILL
16	M805156	STUD	1	
17	19M7864	SCREW	4	M8 X 12
18	M803523	WASHER	4	
19	CH18096	COVER	1	
20	M805696	GASKET	1	
21	M800988	SEAL	1	(A)
22	M809438	SHIELD	1	(INCLUDES DAMPER SHIELD AND FOAM)
23	M805711	PACKING	1	
24	CH15722	STUD	3	
25	14M7298	FLANGE NUT	3	M8
26	M800974	DOWEL PIN	2	
27	CH10570	O-RING	2	



MP39058

KEY	PART NO.	PART NAME	QTY	REMARKS
1	M809668	GASKET	1	WATER PUMP
2	19M7867	SCREW	2	M8 X 25, SUB FOR CH19088
3	CH15535	COVER	1	THERMOSTAT
4	M805834	GASKET	1	
5	M801088	THERMOSTAT	1	
6	M805835	GASKET	1	
7	M810636	O-RING	1	
8	M810638	PLUG	3	
9A	AM881419	WATER PUMP	1	(SUB FOR AM878937) (SUB MIA880462)
9B	MIA880462	WATER PUMP	1	
10	M800312	PLUG	1	
11	CH13814	WASHER	1	
12	19M7801	SCREW	1	M8 X 60
13	M801763	BOLT	4	
14	M809977	FAN	1	USE W/ MTU803029 PULLEY
15	M801762	PLATE	1	
16	MIU803029	PULLEY	1	D=130MM, SUB FOR T111553
17	LVU11661	V-BELT	1	USE W/ MIU803029 AND 40A ALT (BLUE LABEL)
17	LVU11662	V-BELT	1	USE W/ MIU803029 AND 55A ALT (RED LABEL)
18	19M7979	SCREW	3	M8 X 55
19	T110737	GASKET	1	
20	T110736	SENSOR	1	COOLANT TEMPERATURE
21	AM100800	DRAIN VALVE	1	
22	M808684	ADJUSTER	1	BELT
23	19M7862	SCREW	2	M6 X 20, (SUB FOR M87820)
24	M810823	GASKET	1	
25	MIU800236	PLATE	1	
26	M810824	GASKET	1	(SUB FOR MIU800684)
27	M801758	PIPE	1	(SUB FOR MIU800683)
28	M810636	O-RING	1	
29	PLUG	2	
30	SCREW	2	
31	19M7560	CAP SCREW	3	M6 X 16



MP33177

KEY	PART NO.	PART NAME	QTY	REMARKS
1	TY22467	CLAMP	4	
2	M125010	HOSE	1	LOWER
2	M125009	HOSE	1	LOWER (EUROPEAN)
3	M125008	HOSE	1	UPPER
4	19M7774	SCREW	4	M6 X 12
5	AM122481	SHROUD	1	
5	AM120891	SHROUD	1	(EUROPEAN)
6	AM103347	DRAIN VALVE	1	
7	M71417	O-RING	1	
8	AM102893	FILLER CAP	1	
9	AM126469	SCREEN	1	
9	AM126468	SCREEN	1	(EUROPEAN)
10	AM122480	RADIATOR	1	
10	LVA12318	RADIATOR	1	(EUROPEAN)
11	19M7865	BOLT	2	M8 X 16
12	19M7783	BOLT	1	M10 X 16
13	R56101	CLIP	2	
14	HOSE	1	(MAKE FROM TY22559)
14	M93677	HOSE	1	(EUROPEAN)
15	TANK	1	
16	SEAL	1	(ORDER AM127971)
17	FILLER CAP	1	(ORDER AM127971)
18	AM124595	RESERVOIR	1	
19	M84972	NUT	2	

Please write to us.

Our email:

aservicemanualpdf@yahoo.com

**Please go to the homepage
to get the full manual, or
other brand PDF manuals.**

Home Site:

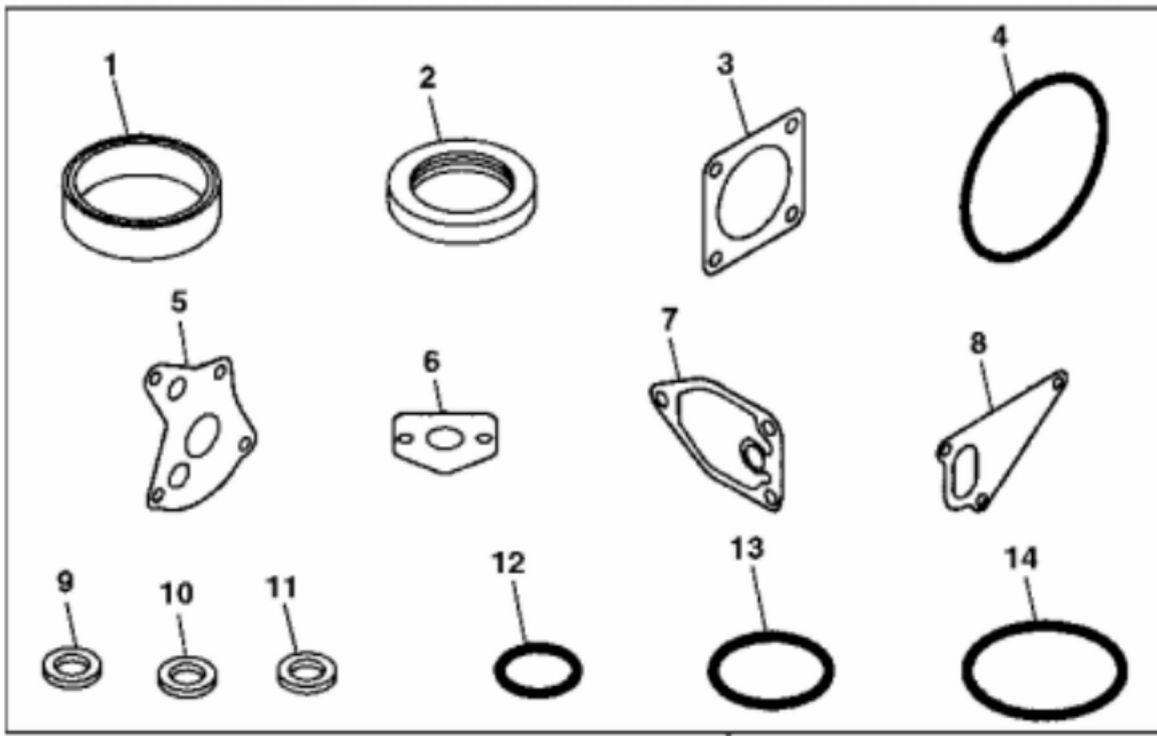
aservicemanualpdf.com

Thank you very much for your reading. Please Click Here. Then Get COMPLETE MANUAL. NO WAITING



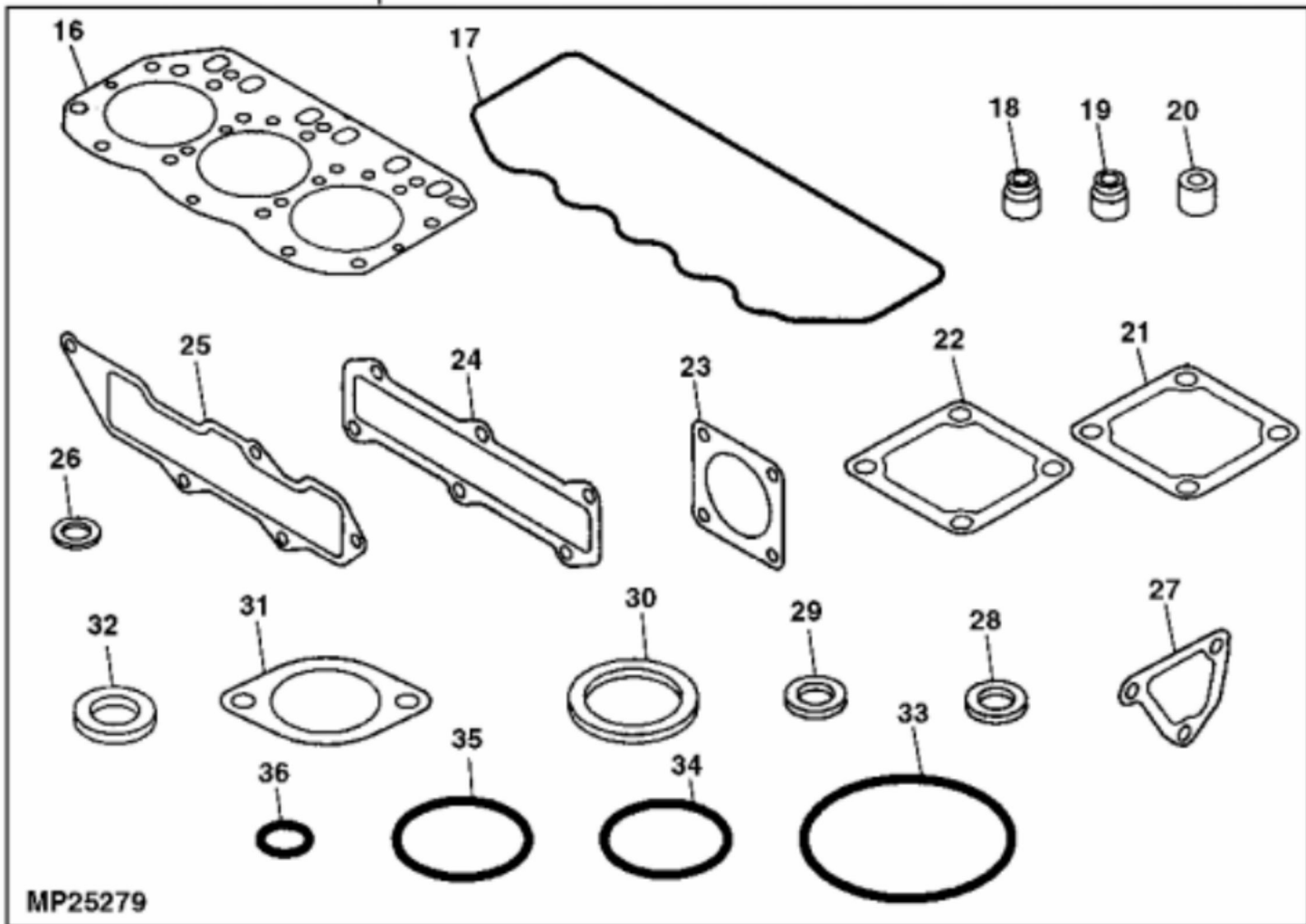
NOTE:

If there is no response to click on the link above, please download the PDF document first and then click on it.



37

15



MP25279

KEY	PART NO.	PART NAME	QTY	REMARKS
1	M805278	SEAL	1	ENGINE BLOCK
2	M800988	SEAL	1	
3	M805696	GASKET	1	
4	CH16940	O-RING	1	
5	M801005	GASKET	1	OIL PUMP
6	M811792	GASKET	1	STRAINER, (SUB FOR M805829)
7	M805830	GASKET	1	
8	M809668	GASKET	1	
9	M806424	WASHER	1	
10	CH10554	PACKING	1	
11	CH10555	WASHER	2	
12	CH10570	O-RING	3	
13	CH11564	PACKING	2	
14	M805711	PACKING	1	
15	AM878603	GASKET KIT	1	ENGINE BLOCK
16	M806811	ENGINE CYLINDER HEAD GASKET	1	
17	M801741	GASKET	1	
18	T110650	SEAL	3	
19	CH10450	SEAL	3	
20	M801016	GUARD	3	(SUB FOR M810460)
21	M805836	GASKET	1	
22	M801363	GASKET	1	
23	M805832	GASKET	1	
24	RG60742	GASKET	1	EXHAUST MANIFOLD
25	RG60739	GASKET	1	INTAKE MANIFOLD
26	M801017	VALVE SEAT	1	
27	M801271	GASKET	1	
28	CH10085	PACKING	2	
29	MIU802134	PACKING	2	SUB FOR CH10556
30	M805835	GASKET	1	
31	M805834	GASKET	1	
32	CH13814	WASHER	1	
33	M801034	O-RING	1	
34	M804492	O-RING	1	
35	M805711	PACKING	1	

KEY	PART NO.	PART NAME	QTY	REMARKS
36	CH10568	PACKING	3	
37	AM879952	KIT	1	ENGINE CYLINDER HEAD GASKET