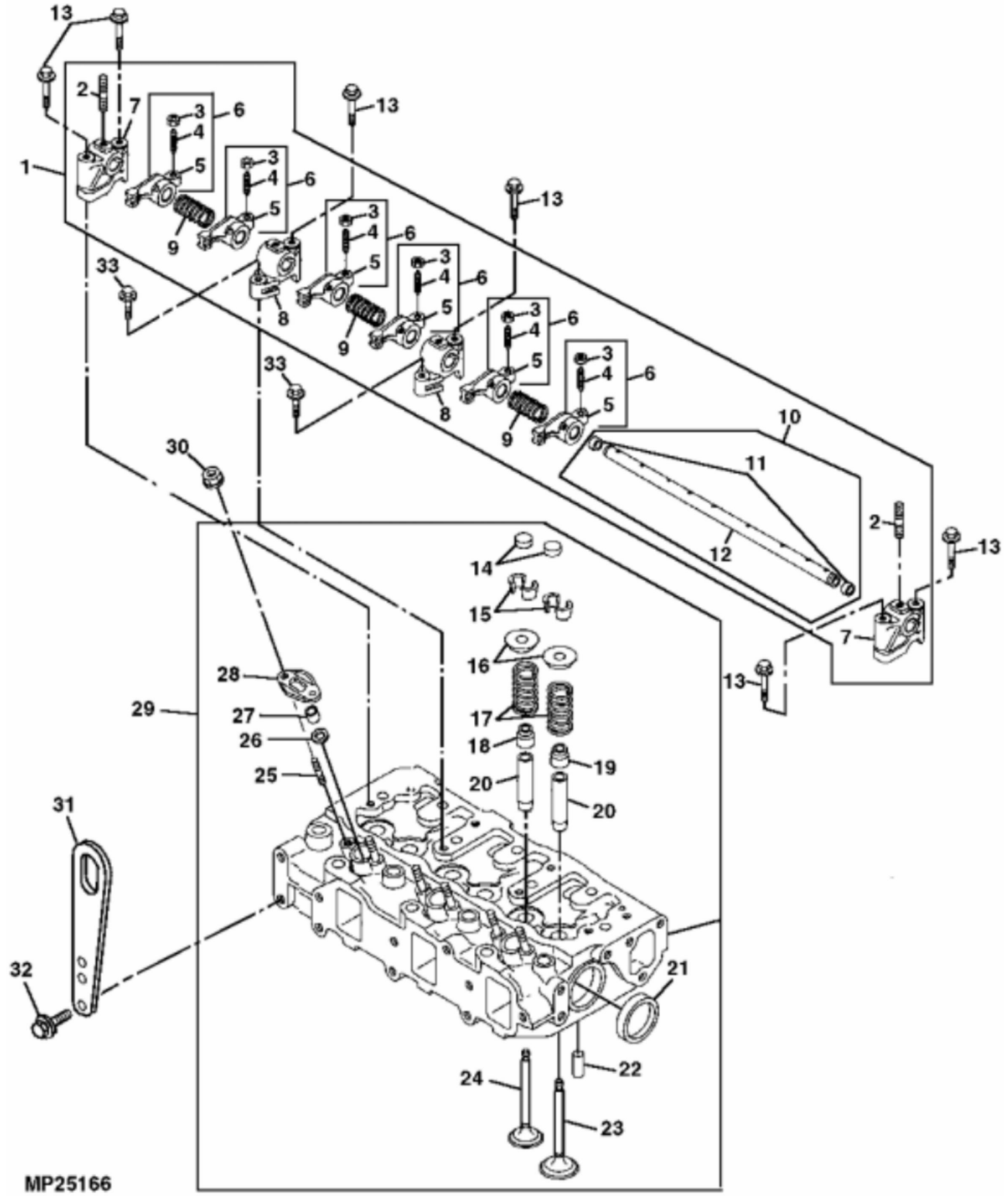


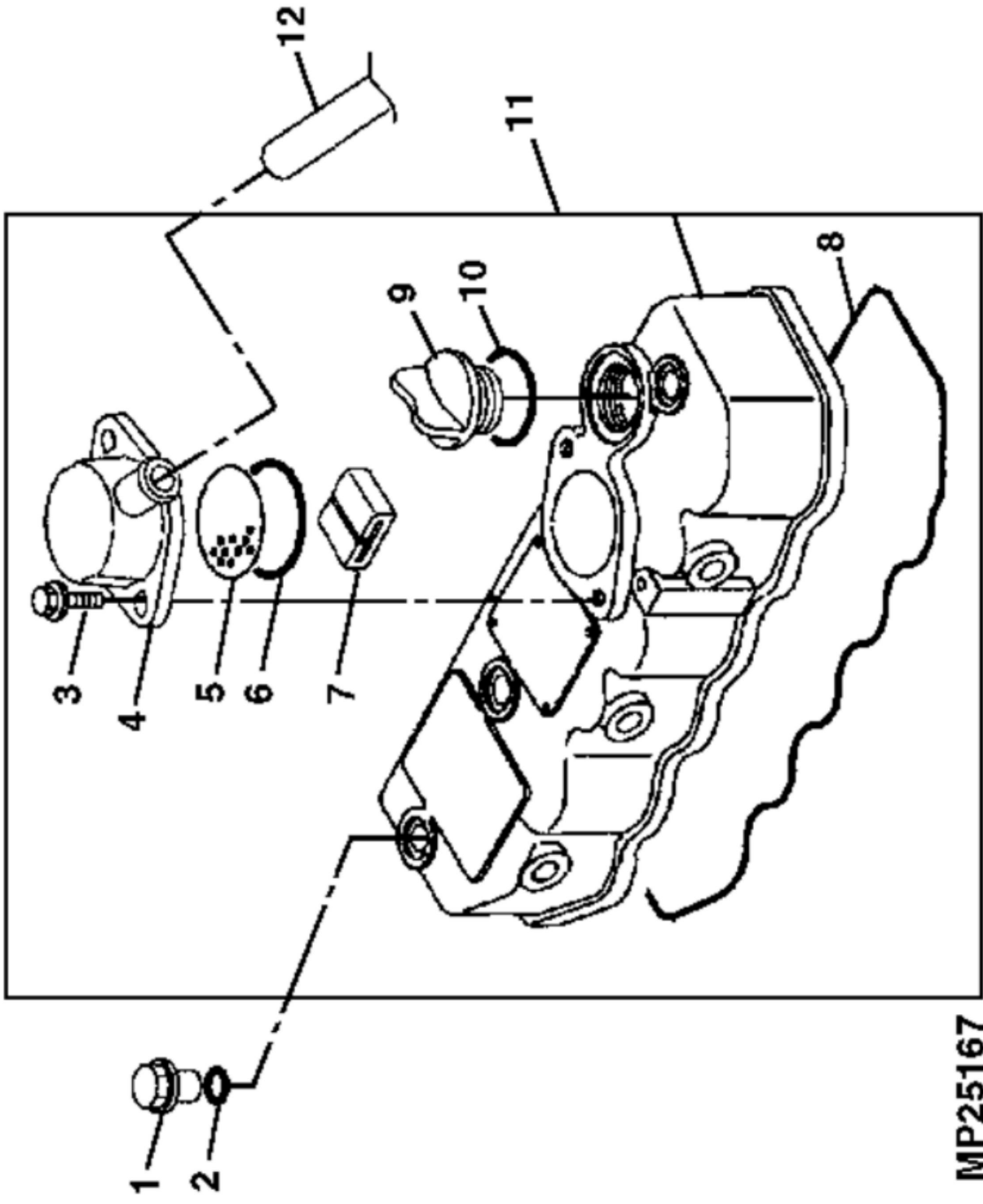
MP28669

KEY	PART NO.	PART NAME	QTY	REMARKS
1	M800970	BOLT	14	
2	M810048	ENGINE CYLINDER HEAD GASKET	1	
3	AM880950	CYLINDER BLOCK	1	
4	CH10335	PLUG	3	
5	EPC200680	PLUG	1	
6	M802255	PIN	4	8 X 16
7	DRAIN PLUG	1	
8	CH18079	SPRING PIN	2	
9	30M7023	PLUG	6	
10	15H562	PIPE PLUG	1	1"
11	M800977	BUSHING	1	CAMSHAFT
12	M800978	SHAFT	1	IDLER
13	CH19101	BOLT	2	
14	M87801	PLUG	2	
15	M800974	PIPE	2	
16	MIA880553	BEARING	2	THRUST, STD, (SUB FOR AM875301)
16	AM875594	BEARING KIT	2	.25 MM (.010") OS, THRUST
17	MIA880559	BEARING	4	MAIN, STD, (SUB FOR AM875300)
17	MIA880549	BEARING	4	.25MM (.010") US, MAIN, (SUB FOR AM875302)
18	BEARING CAP	3	
19	M87879	BOLT	8	
20	BEARING CAP	1	
21	LVU12384	HEAT SHIELD	1	RH
22	LVU12389	HEAT SHIELD	1	LH
23	19M7788	BOLT	1	M12 X 25
24	19M7865	BOLT	2	M8 X 16
25	19M7866	BOLT	1	M8 X 20
26	19M7783	BOLT	1	M10 X 16
27	14M7298	FLANGE NUT	1	M8
28	LVU13712	SPACER	1	
29	LVU13711	SPACER	1	
..	AM131601	ENGINE	1	(MARKED 3TNE82A-EJTS) (SUB AM880949)
..	AM880949	SHORT BLOCK ASSEMBLY	1	
..	LVU13639	ISOLATOR	1	RH AIRDAM SHIELD
..	LVU13645	ISOLATOR	1	LH AIRDAM SHIELD



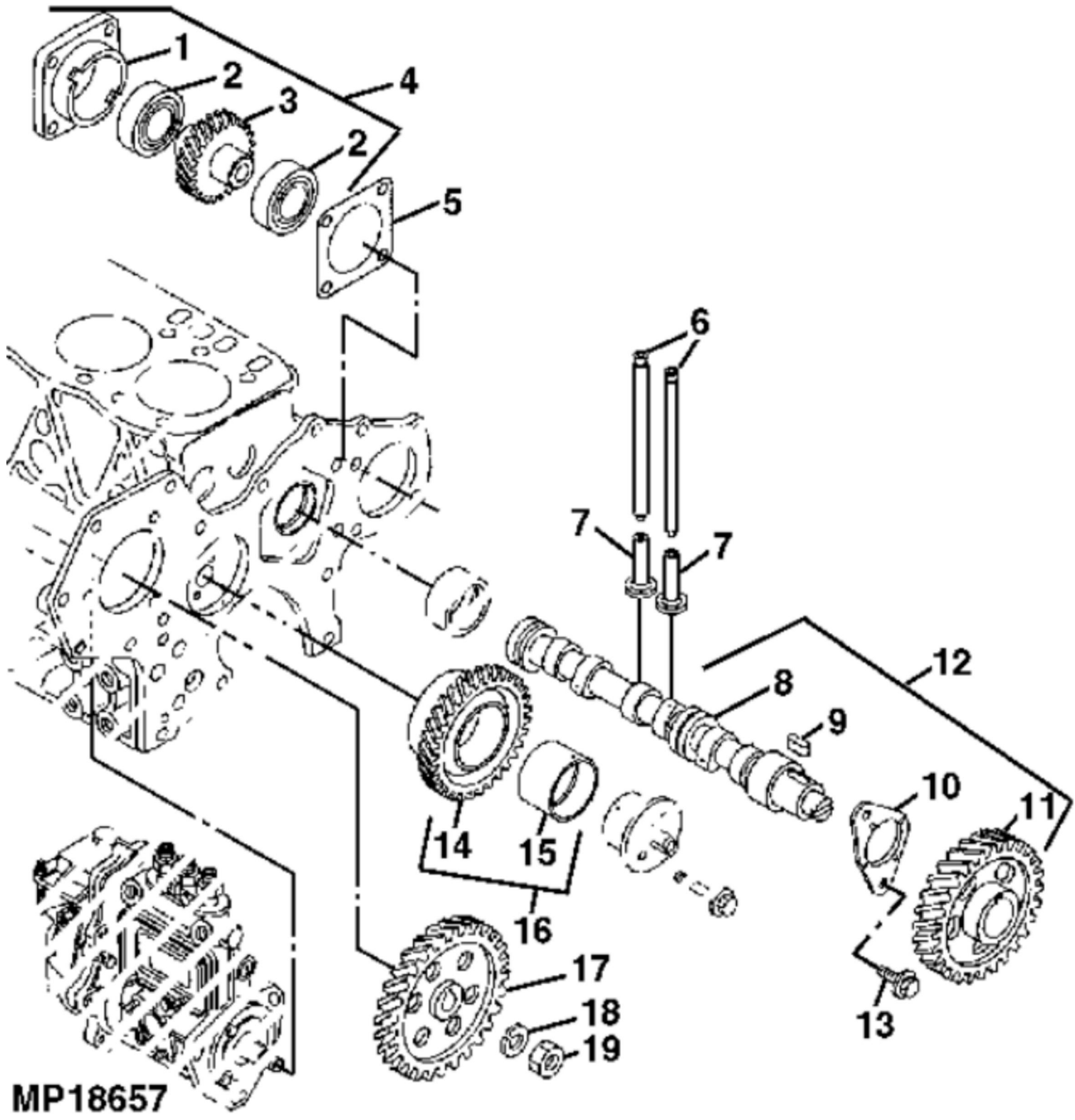
MP25166

KEY	PART NO.	PART NAME	QTY	REMARKS
1	RG60244	ROCKER ARM SHAFT	1	
2	M801024	STUD	3	
3	M801028	NUT	1	
4	M801027	SCREW	1	
5	ROCKER ARM	1	
6	AM875311	ARM	6	
7	M801022	SUPPORT	2	ROCKER ARM (A)
8	M801023	SUPPORT	2	ROCKER ARM (B)
9	M801025	SPRING	3	
10	AM875310	SHAFT	1	SUPPORT
11	M800002	PLUG	2	
12	ROCKER ARM SHAFT	1	
13	19M7800	SCREW	6	M8 X 50
14	CH12585	CAP	6	
15	AM100828	RETAINER KIT	3	(2 PER PKG)
16	M801015	RETAINER	6	SPRING
17	M801014	SPRING	6	VALVE
18	CH10346	SEAL	3	EXHAUST, (SUB FOR CH15432)
19	CH10346	SEAL	3	INTAKE
20	CH16041	GUIDE	6	
21	CH16751	PLUG	2	
22	CH18079	SPRING PIN	2	
23	M801012	INTAKE VALVE	3	
24	RG60149	EXHAUST VALVE	3	
25	M801011	STUD	6	
26	M801017	VALVE SEAT	3	
27	M801016	GUARD	3	(SUB FOR M810460)
28	M801018	RETAINER	3	
29	AM878523	CYLINDER HEAD	1	
30	14M7303	FLANGE NUT	6	M6
31	AT211695	LIFT ARM	2	
32	19M7865	SCREW	4	M8 X 16
33	19M7867	SCREW	2	M8 X 25

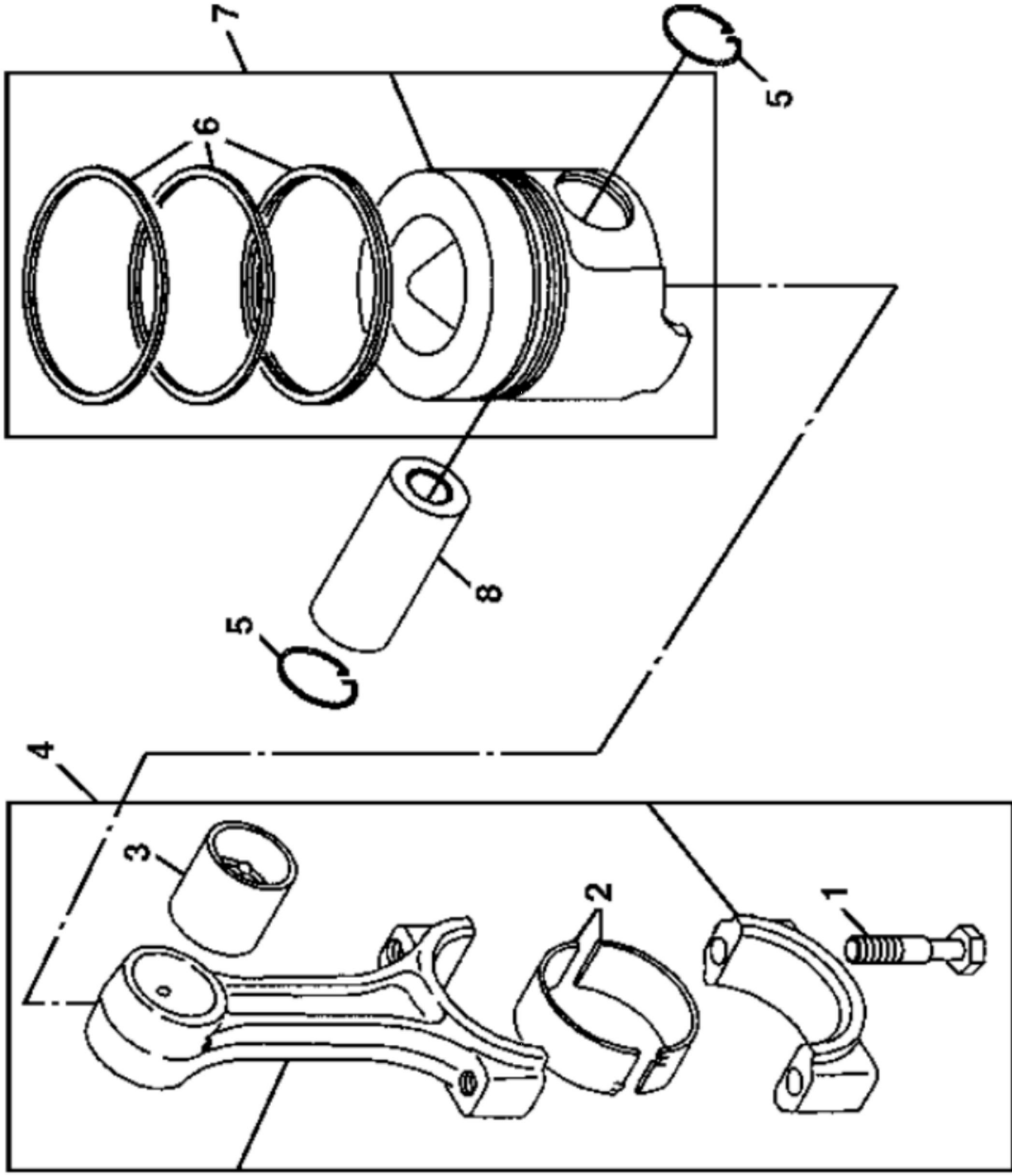


MP25167

KEY	PART NO.	PART NAME	QTY	REMARKS
1	CH10348	NUT	3	
2	CH10568	PACKING	3	
3	19M7865	SCREW	2	M8 X 16
4	M801031	CAP	1	
5	M801033	PLATE	1	
6	M801034	O-RING	1	
7	M801032	DEFLECTOR	1	
8	M801036	O-RING	1	
9	M805710	CAP	1	
10	M805711	PACKING	1	
11	AM875312	VALVE COVER	1	NLA
12	M804268	HOSE	1	BREATHER

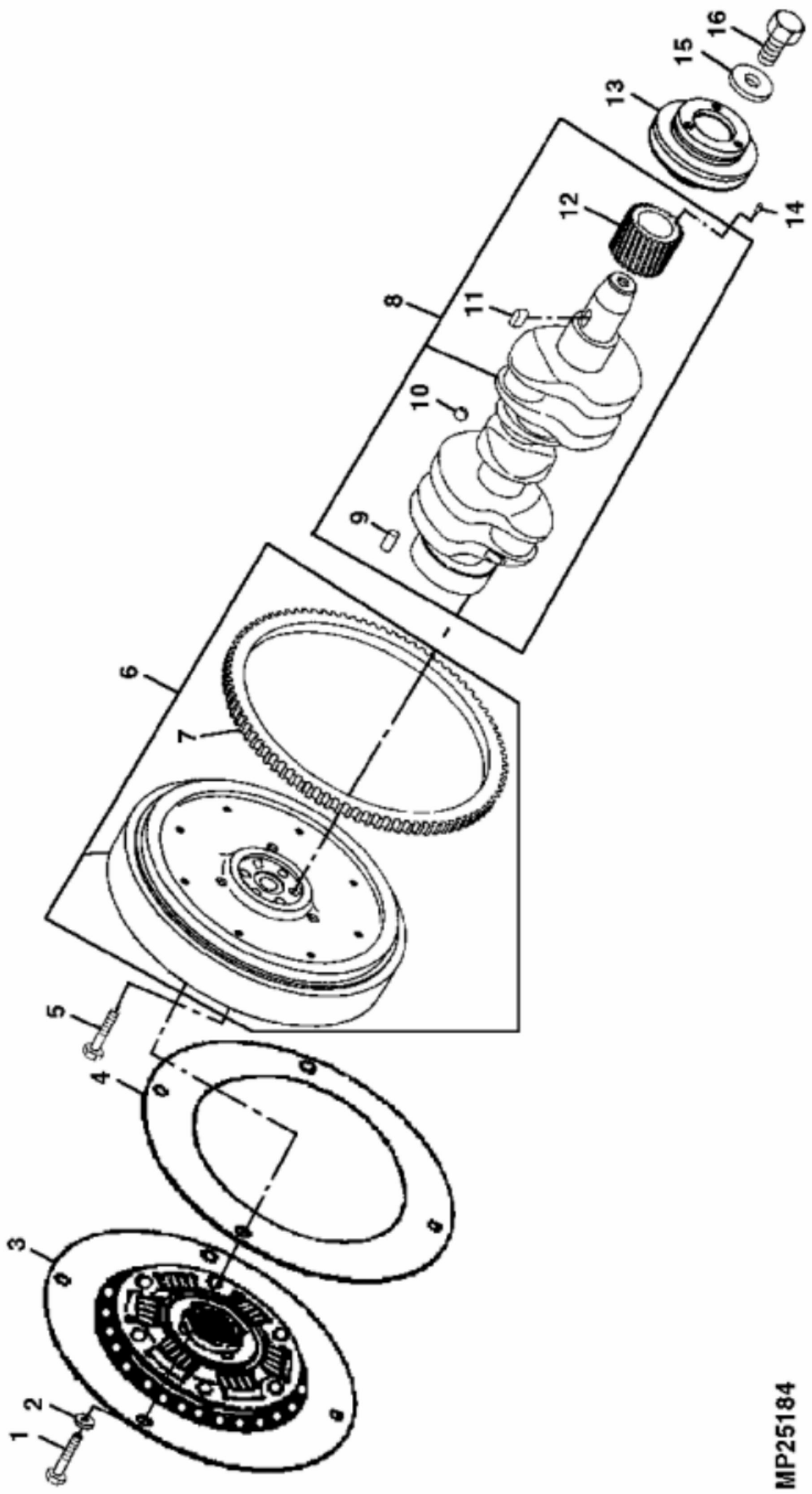


KEY	PART NO.	PART NAME	QTY	REMARKS
1	M802618	BRACKET	1	
2	CH13505	BALL BEARING	2	
3	GEAR	1	
4	AM876339	GEAR	1	H.I.O. PUMP
5	M805840	GASKET	1	
6	M801047	PUSH ROD	6	
7	M801046	CAM FOLLOWER	6	
8	CAMSHAFT	1	
9	M801045	SHAFT KEY	1	
10	THRUST BEARING	1	
11	GEAR	1	
12	AM878292	CAMSHAFT	1	
13	19M7865	BOLT	2	M8 X 16
14	GEAR	1	
15	M801050	BUSHING	1	
16	AM875315	GEAR	1	IDLE
17	M809488	GEAR	1	
18	12M7067	LOCK WASHER	1	12 mm
19	14M7275	NIUT	1	M12



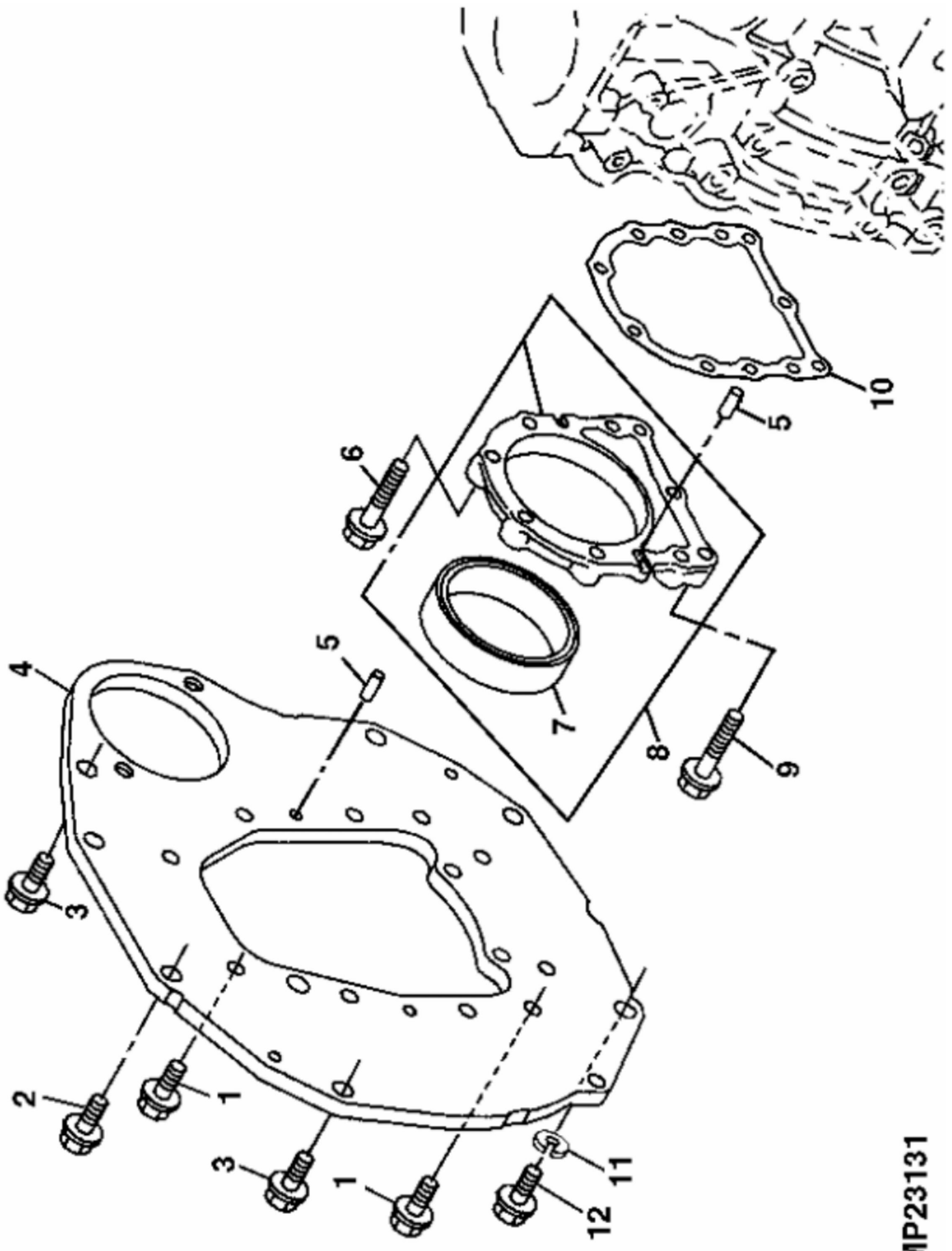
MP18666

KEY	PART NO.	PART NAME	QTY	REMARKS
1	M801068	BOLT	2	
2	M1A880562	BEARING	1	STD, (SUB FOR AM875321)
2	M1A880567	BEARING	1	.25 MM (.010") US, (SUB FOR AM875324)
3	M801075	BEARING	1	
4	AM875320	CONNECTING ROD	3	
5	RG60161	SNAP RING	6	
6	AM880933	PISTON RING KIT	1	STD
6	AM880953	PISTON RING KIT	1	.25 MM (.010") OS
7	AM880942	PISTON REPLACEMENT KIT	3	STD
7	AM880951	PISTON REPLACEMENT KIT	3	.25 MM (.010") OS
8	M806430	PISTON PIN	3	



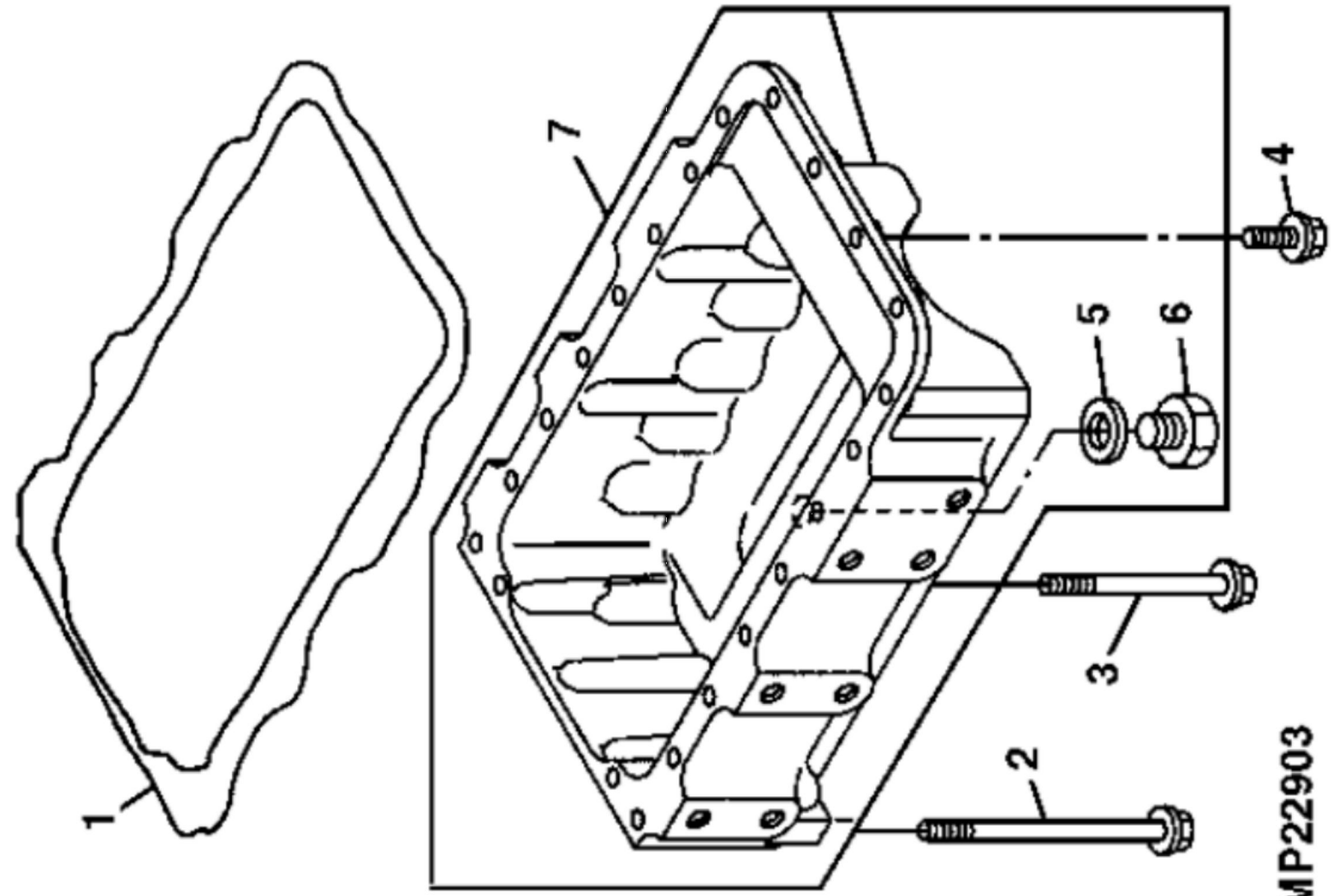
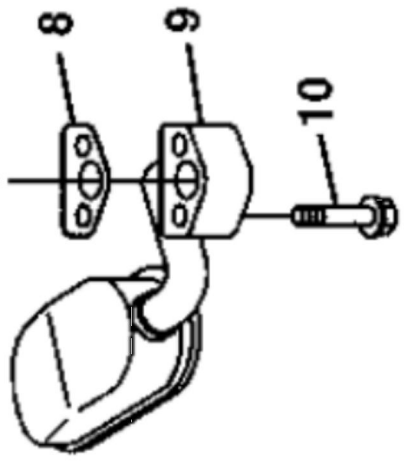
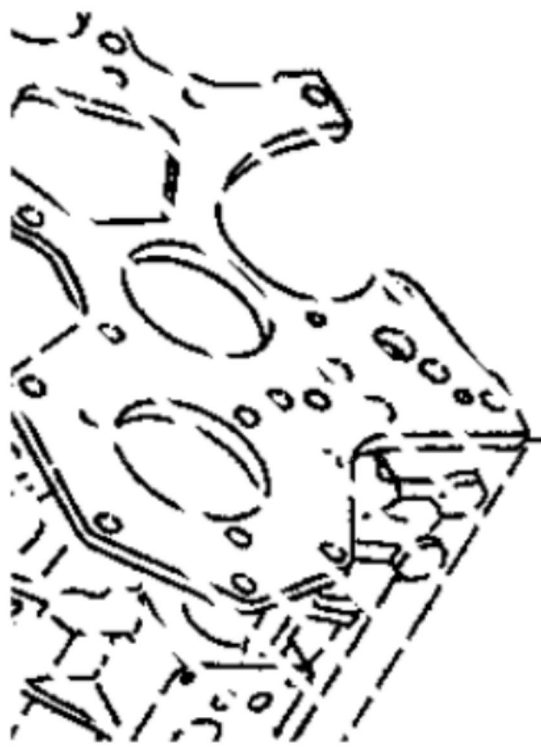
MP25184

KEY	PART NO.	PART NAME	QTY	Engine Serial No.	REMARKS
1	19M7662	CAP SCREW	4		M10 X 30
2	24M7096	WASHER	4		10.500 X 18 X 1.600 mm
3	LVA14914	TORSIONAL DAMPER	1		(SUB FOR LVA10906, LVA12293 OR LVA13911)
4	LVU11630	WASHER	1	____-005494	
5	CH19291	BOLT	6		
6	AM879897	FLYWHEEL	1	____-005494	
6	AM881413	FLYWHEEL	1	005495-____	
7	CH10466	GEAR	1		
8	AM878526	CRANKSHAFT	1		
9	M802255	PIN	1		
10	400R	BALL	3		
11	M801045	SHAFT KEY	1		
12	M801053	GEAR	1		(NLA)
13	M809525	PULLEY	1		CRANKSHAFT
14	CH12293	PIN	1		
15	M801055	WASHER	1		
16	CH16798	BOLT	1		



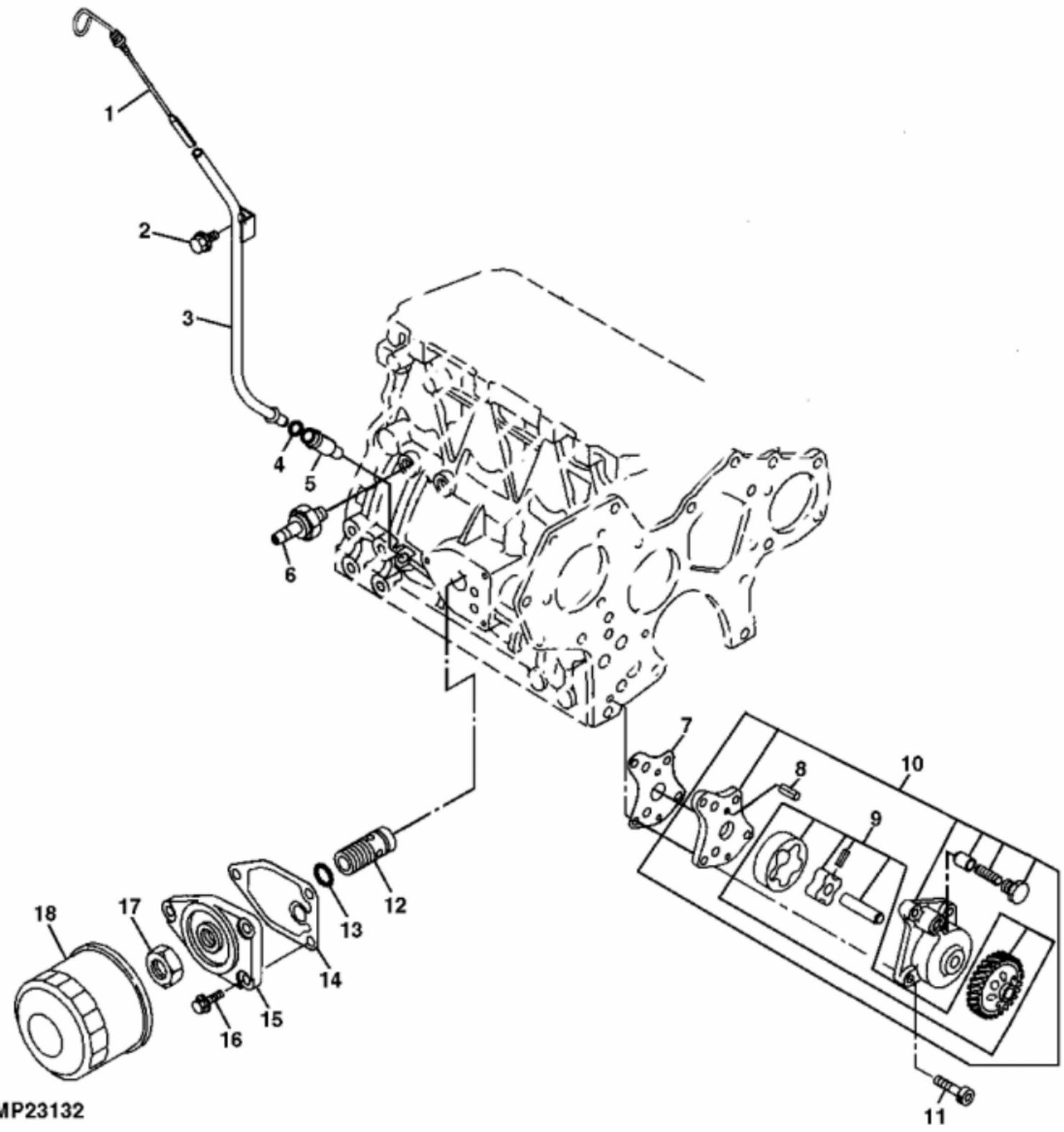
MP23131

KEY	PART NO.	PART NAME	QTY	REMARKS
1	M800011	BOLT	8	M10 X 20
2	R104714	BOLT	2	M10 X 185
3	19M7790	BOLT	4	M12 X 35
4	M808634	FLANGE	1	MOUNTING
5	M802255	PIN	2	
6	M808308	BOLT	6	M8 X 30
7	M806024	SEAL	1	
8	AM878341	CASE	1	
9	19M7897	BOLT	3	M8 X 35
10	M64850	SEALANT	1	
11	24M7047	WASHER	2	13 X 24 X 2.500 mm
12	19M9108	BOLT	2	M12 X 85



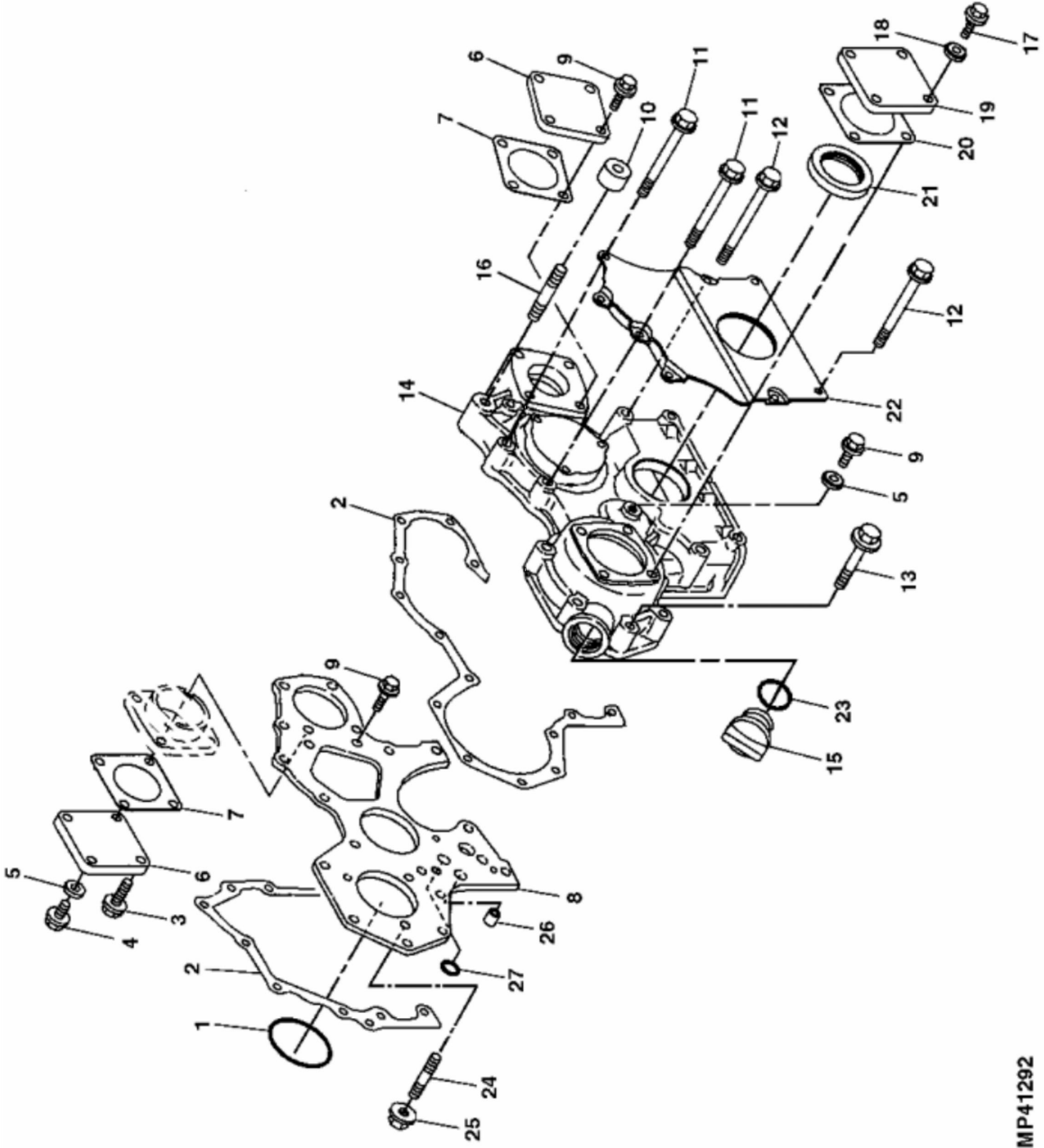
MP22903

KEY	PART NO.	PART NAME	QTY	REMARKS
1	M64850	SEALANT	1	
2	T111562	BOLT	4	
3	CH19136	BOLT	12	
4	19M7867	SCREW	6	M8 X 25
5	M806433	WASHER	1	
6	T111565	PLUG	1	DRAIN
7	AM880869	OIL PAN	1	
8	M811792	GASKET	1	(SUB FOR M805829)
9	M808658	STRAINER	1	
10	19M7897	SCREW	2	M8 X 35

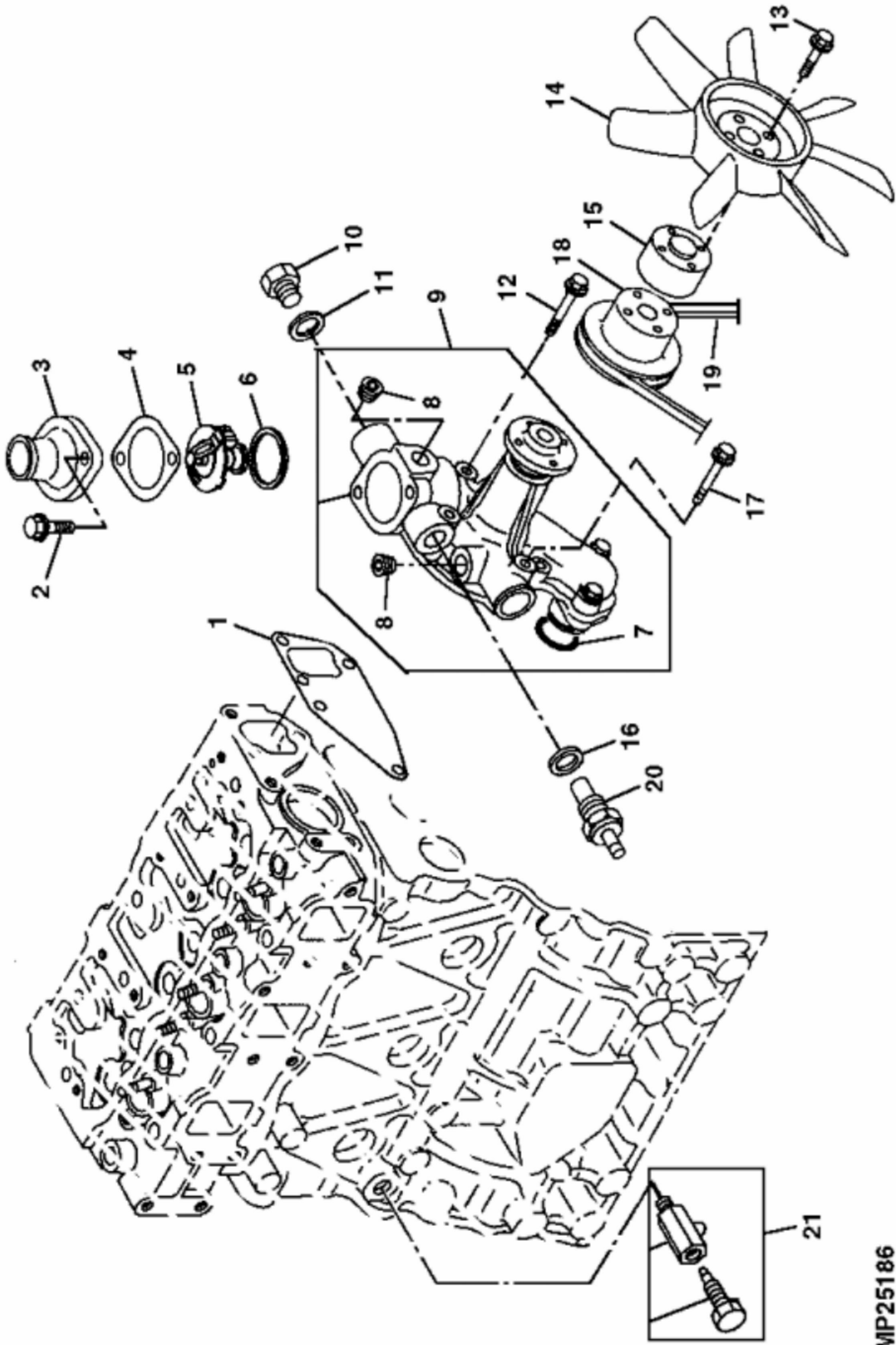


MP23132

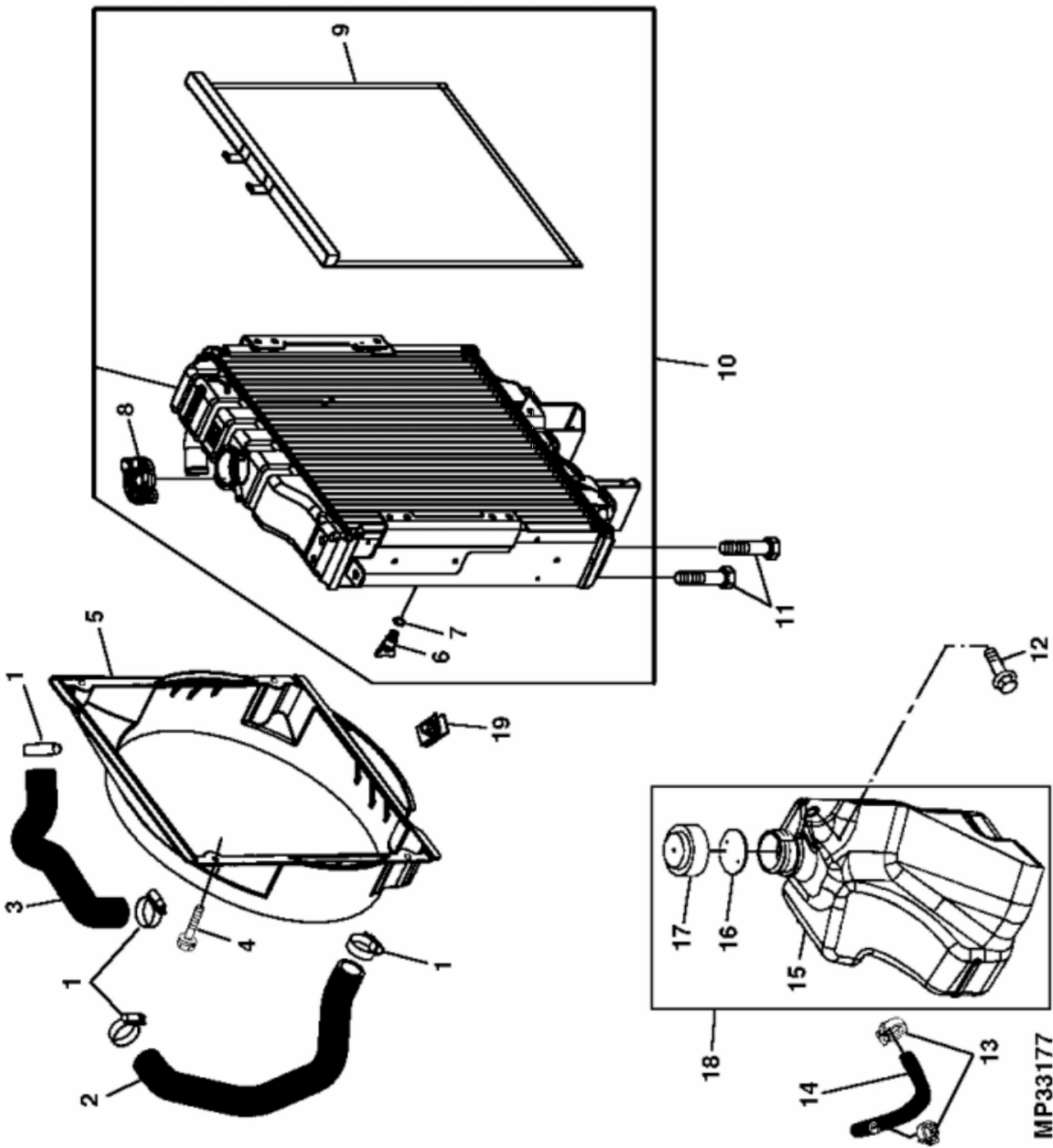
KEY	PART NO.	PART NAME	QTY	REMARKS
1	M808653	DIPSTICK	1	
2	19M7865	SCREW	1	M8 X 16
3	M808655	GUIDE	1	
4	CH10571	PACKING	1	
5	M89143	GUIDE	1	
6	M809526	SWITCH	1	
7	M801005	GASKET	1	
8	CH10539	SPRING PIN	2	
9	ROTOR	1	
10	M1A883558	OIL PUMP	1	SUB FOR AM878778
11	M800676	BOLT	4	
12	AM880983	VALVE	1	(SUB FOR AM875306)
13	CH10570	O-RING	1	
14	M805830	GASKET	1	
15	M801000	BRACKET	1	
16	19M7866	SCREW	3	M8 X 20
17	M89148	NIUT	1	
18	M806419	OIL FILTER	1	



KEY	PART NO.	PART NAME	QTY	REMARKS
1	CH16940	O-RING	1	
2	M64850	SEALANT	1	
3	19M7868	SCREW	3	M8 X 30
4	19M7866	SCREW	1	M8 X 20
5	M803523	WASHER	4	
6	CH18096	COVER	2	
7	M805696	GASKET	2	
8	M808636	FLANGE	1	
9	19M7865	SCREW	8	M8 X 16
10	M808678	SPACER	1	
11	19M7803	SCREW	4	M8 X 70
12	CH19136	BOLT	2	
13	CH19101	BOLT	5	
14	AM880594	GEAR CASE	1	(INCLUDES PARTS MARKED (A))
15	M805710	CAP	1	OIL FILL
16	M805156	STUD	1	
17	19M7864	SCREW	4	M8 X 12
18	M803523	WASHER	4	
19	CH18096	COVER	1	
20	M805696	GASKET	1	
21	M800988	SEAL	1	(A)
22	M809438	SHIELD	1	(INCLUDES DAMPER SHIELD AND FOAM)
23	M805711	PACKING	1	
24	CH15722	STUD	3	
25	14M7298	FLANGE NUT	3	M8
26	M800974	DOWEL PIN	2	
27	CH10570	O-RING	2	



KEY	PART NO.	PART NAME	QTY	REMARKS
1	M809668	GASKET	1	WATER PUMP
2	19M7867	SCREW	2	M8 X 25, SUB FOR CH19088
3	CH15535	COVER	1	THERMOSTAT
4	M805834	GASKET	1	
5	M801088	THERMOSTAT	1	
6	M805835	GASKET	1	LOWER
7	M810636	O-RING	1	(SUB FOR M801760)
8	CH15002	PLUG	2	
9	M1A880036	PUMP	1	(INCLUDES PARTS MARKED (A)) (SUB FOR AM878192)
9	CH19140	BOLT	2	(A)
9	M801080	PLATE	1	(A) PUMP
9	M801083	PIPE	1	(A)
9	M805847	GASKET	1	(A) PUMP BODY
9	M805848	GASKET	1	(A) PIPE
10	M800312	PLUG	1	
11	CH13814	WASHER	1	
12	19M7897	SCREW	1	M8 X 35
13	M87878	BOLT	4	6 X 45
14	ET14236	FAN	1	
15	M802628	SPACER	1	18MM THICK, USE W/ AM124886 (7.5CC PS PUMP)
15	M809549	SPACER	1	30MM THICK, USE W/ LVA10330 (8.2CC PS PUMP)
16	T110737	GASKET	1	
17	19M7979	SCREW	3	M8 X 55
18	T110728	PULLEY	1	
19	LVU11659	BELT	1	
20	T110736	SENSOR	1	COOLANT TEMPERATURE
21	AM100800	DRAIN VALVE	1	



MP33177

KEY	PART NO.	PART NAME	QTY	Serial No.	REMARKS
1	TY22467	CLAMP	4		
2	M125007	HOSE	1		LOWER
3	M125006	HOSE	1		UPPER
4	19M7774	SCREW	4		M6 X 12
5	LVU13852	SHROUD	1		
6	AM103347	DRAIN VALVE	1		
7	M71417	O-RING	1		NLA
8	AM102893	FILLER CAP	1		
9	AM126468	SCREEN	1		
10	LVA12158	RADIATOR	1		
11	19M7865	BOLT	2		M8 X 16
12	19M7784	BOLT	1	____->XXXXXX	M10 X 20
12	19M7783	BOLT	1	XXXXX-____	M10 X 16
13	R56101	CLIP	2		
14	HOSE	1		(MAKE FROM TY22559)
15	TANK	1		
16	SEAL	1		
17	FILLER CAP	1		
18	AM124595	RESERVOIR	1		
19	M84972	NUT	2		

Please write to us.

Our email:

aservicemanualpdf@yahoo.com

**Please go to the homepage
to get the full manual, or
other brand PDF manuals.**

Home Site:

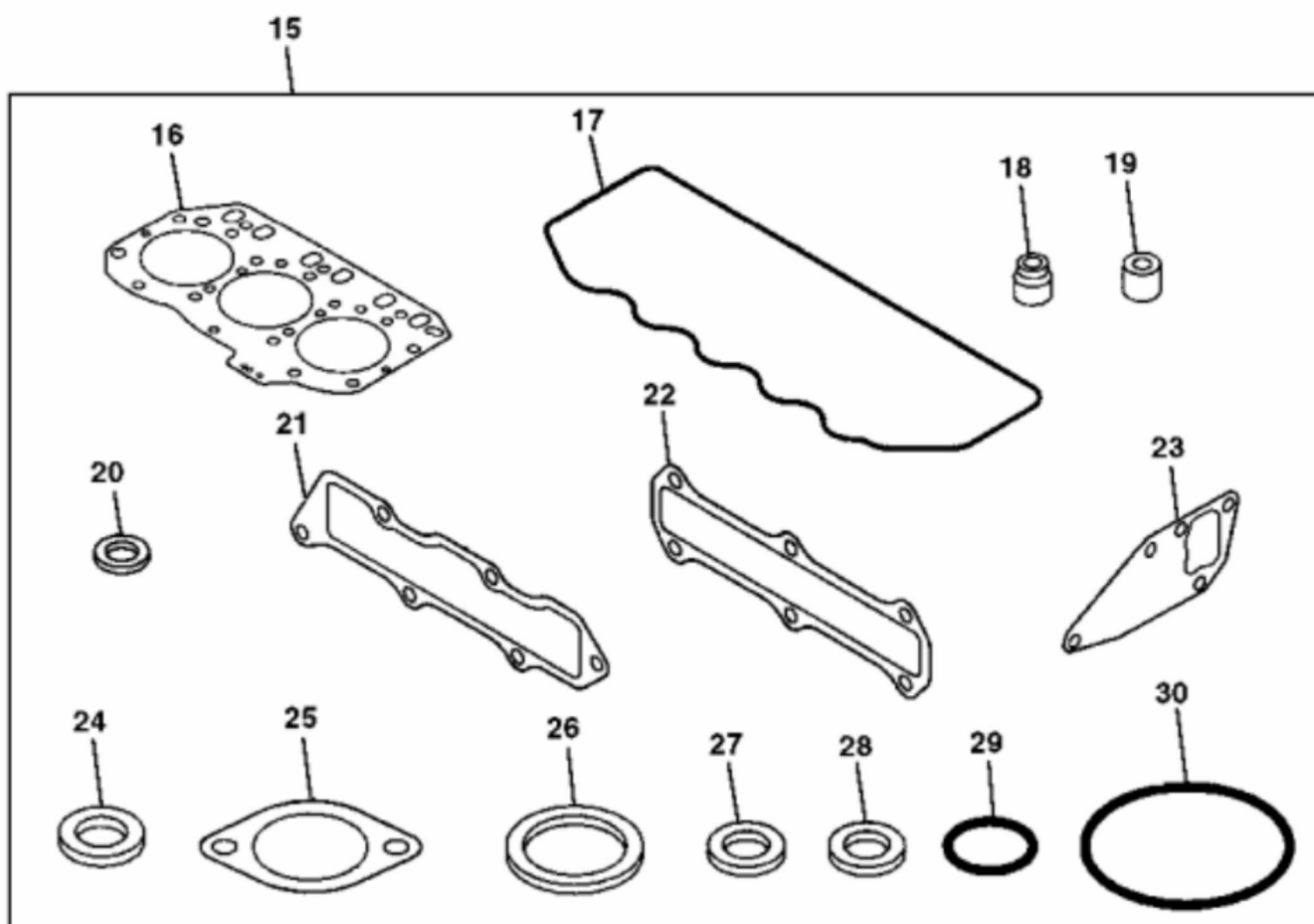
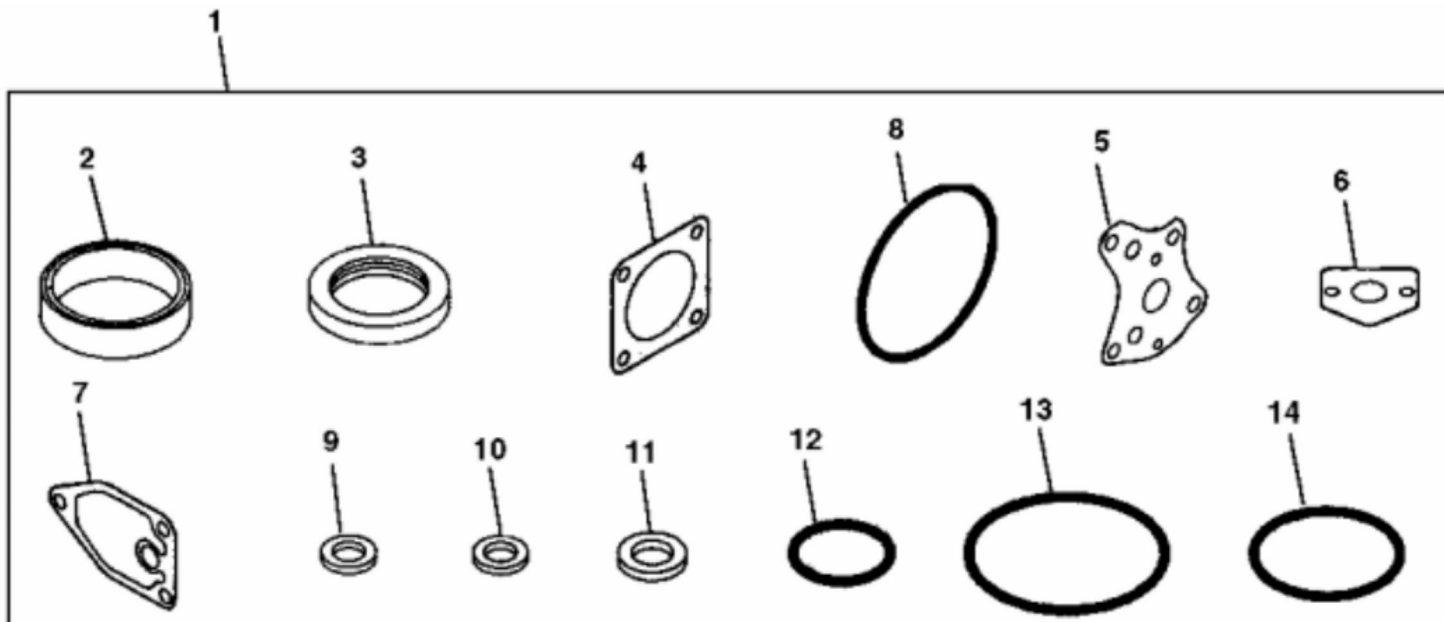
aservicemanualpdf.com

Thank you very much for your reading. Please Click Here. Then Get COMPLETE MANUAL. NO WAITING



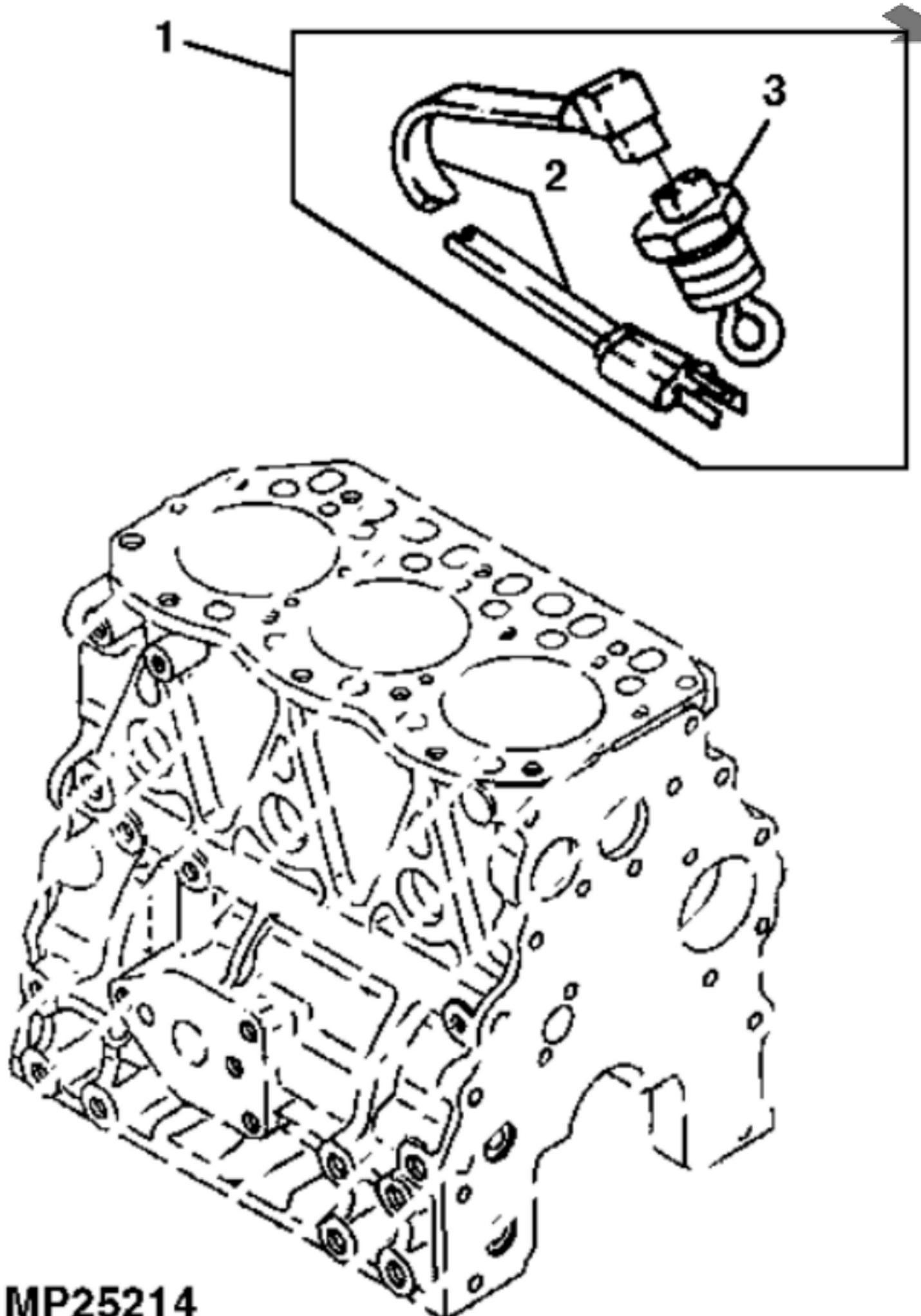
NOTE:

If there is no response to click on the link above, please download the PDF document first and then click on it.



MP25164

KEY	PART NO.	PART NAME	QTY	REMARKS
1	AM878594	GASKET KIT	1	ENGINE BLOCK
2	M806024	SEAL	1	OIL, FABRIC
3	M800988	SEAL	1	OIL
4	M805696	GASKET	1	
5	M801005	GASKET	1	OIL PUMP
6	M811792	GASKET	1	OIL PICK-UP, (SUB FOR M805829)
7	M805830	GASKET	1	FILTER BRACKET
8	CH16940	O-RING	1	
9	M803523	WASHER	5	SEAL
10	CH10554	PACKING	1	
11	CH10555	WASHER	1	
12	CH10570	O-RING	2	
13	M805711	PACKING	2	P32
14	CH13526	PACKING	2	
15	KIT	1	CYLINDER HEAD GASKET (ORDER COMPONENTS)
16	M810048	ENGINE CYLINDER HEAD GASKET	1	
17	M801036	O-RING	1	
18	CH10346	SEAL	1	
19	M801016	GUARD	3	(SUB FOR M810460)
20	M801017	VALVE SEAT	3	
21	M808666	GASKET	1	INTAKE MANIFOLD
22	M808644	GASKET	1	EXHAUST MANIFOLD
23	M809668	GASKET	1	WATER PUMP
24	CH13814	WASHER	2	(COPPER)
25	M805834	GASKET	1	UPPER
26	M805835	GASKET	1	LOWER
27	CH10085	PACKING	2	
28	M806438	PACKING	2	
29	CH10568	PACKING	3	
30	M805711	PACKING	1	P32



MP25214