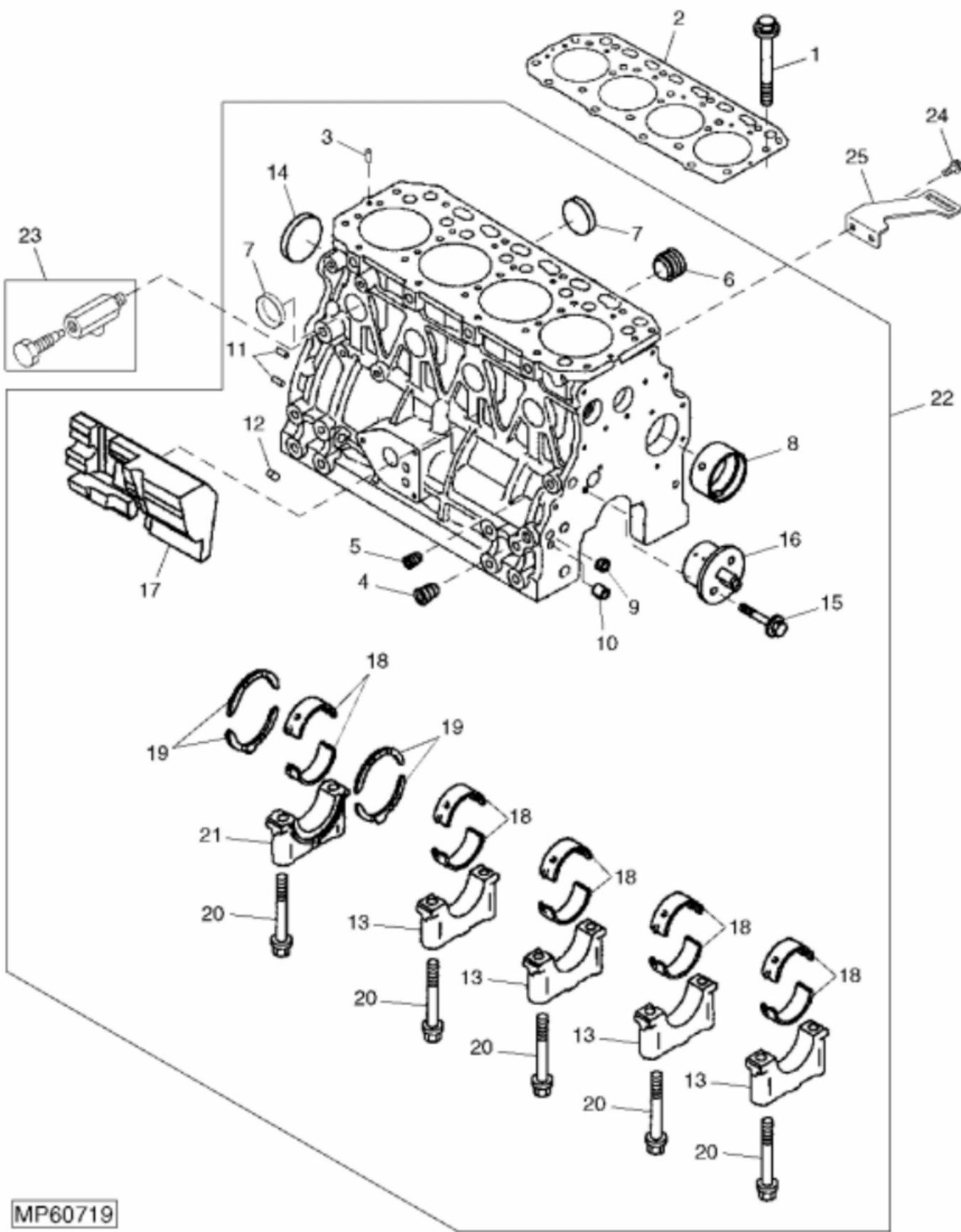
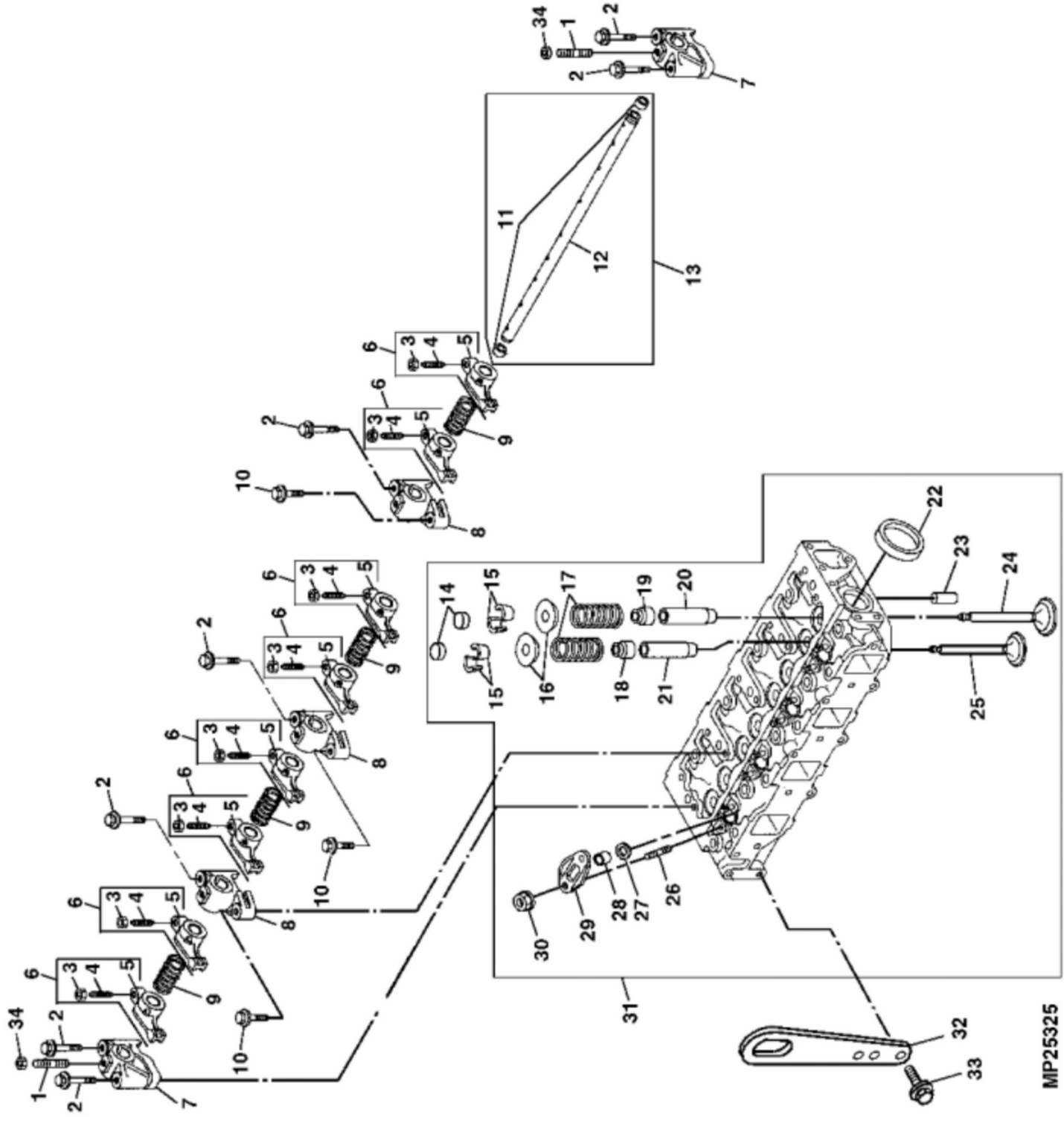


KEY	PART NO.	PART NAME	QTY	REMARKS
1	M801186	BOLT	18	
2	M806505	ENGINE CYLINDER HEAD GASKET	1	
3	AM879992	CYLINDER BLOCK	1	
4	CH10335	PLUG	2	
5	EPC200680	PLUG	1	
6	M802255	PIN	2	
7	.....	DRAIN PLUG	1	(ORDER AM879992)
8	CH18079	SPRING PIN	2	
9	30M7023	PLUG	8	
10	15H562	PIPE PLUG	1	1"
11	MIU800573	CAMSHAFT	1	(SUB FOR M800977)
12	M800978	SHAFT	1	
13	CH19101	BOLT	2	
14	M87801	PLUG	2	
15	M800974	PIPE	2	
16	MIA880555	BEARING	2	(SUB FOR AM875373)
17	AM875371	BEARING KIT	4	(STD)
17	MIA880550	BEARING	4	.25MM (.010") , US, (SUB FOR AM875374)
18	.....	BEARING CAP	3	(ORDER AM879992)
19	M801189	BOLT	8	
20	.....	BEARING CAP	1	(ORDER AM879992)
21	M806938	PLUG	1	
22	CH10554	PACKING	4	(SUB FOR R180245)
23	19M7864	SCREW	2	M8 X 12, (HS, HEAD MARKED 10.9)
24	T113961	PLUG	1	
25	AM100800	DRAIN VALVE	1	
26	MIA882698	SHORT BLOCK ASSEMBLY	1	Not Illustrated; SUB FOR AM880565
..	AM131995	DIESEL ENGINE	1	(MARKED 4TNE84-EJTLB), (SUB AM880565)



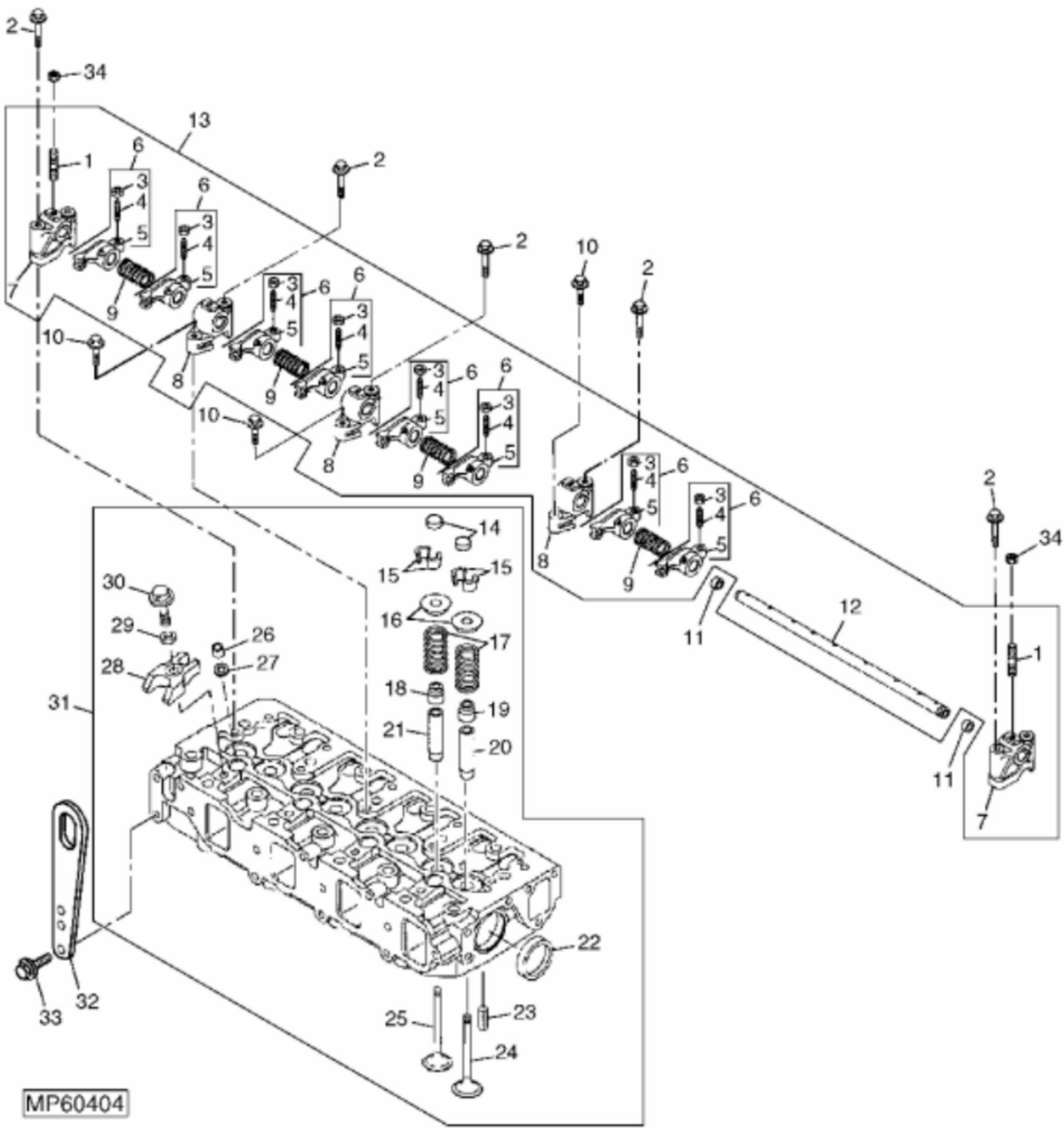
MP60719

KEY	PART NO.	PART NAME	QTY	REMARKS
1	M801186	BOLT	18	
2	M806518	ENGINE CYLINDER HEAD GASKET	1	
3	CH18079	SPRING PIN	2	
4	CH10335	PLUG	2	
5	CH10314	PLUG	1	
6	15H562	PIPE PLUG	1	1"
7	30M7023	PLUG	8	
8	MIU800573	CAMSHAFT	1	(SUB FOR M800977)
9	M87801	PLUG	2	
10	M800974	PIPE	2	
11	M802255	PIN	4	
12	M811307	PLUG	1	
13	.....	BEARING CAP	4	(ORDER AM882032)
14	.....	DRAIN PLUG	1	(ORDER AM882032)
15	19M8317	SCREW	3	M8 X 40
16	M811055	SHAFT	1	
17	M811084	SPACER	1	
18	AM875371	BEARING KIT	5	MAIN
18	MIA880550	BEARING	5	.25MM (.010") , US, (SUB FOR AM875374)
19	MIA880555	BEARING	2	(SUB FOR AM875373)
20	M801189	BOLT	10	
21	.....	BEARING CAP	1	BASE, (ORDER AM882032)
22	AM882032	CYLINDER BLOCK	1	
23	AM100800	DRAIN VALVE	1	
24	19M7783	SCREW	2	M10 X 16, (HS, HEAD MARKED 10.9)
25	LVU16568	BRACKET	1	LOWER AFT LH SIDE OF ENG, (SUB FOR LVU12202)
..	AM133224	DIESEL ENGINE	1	(MARKED 4TNV88-MJTLB) (SUB AM882034)
..	AM882034	SHORT BLOCK ASSEMBLY	1	NLA; ORDER MIA882694(INCLUDES AM882032 AND M811307)
..	MIA882694	SHORT BLOCK ASSEMBLY	1	



MP25325

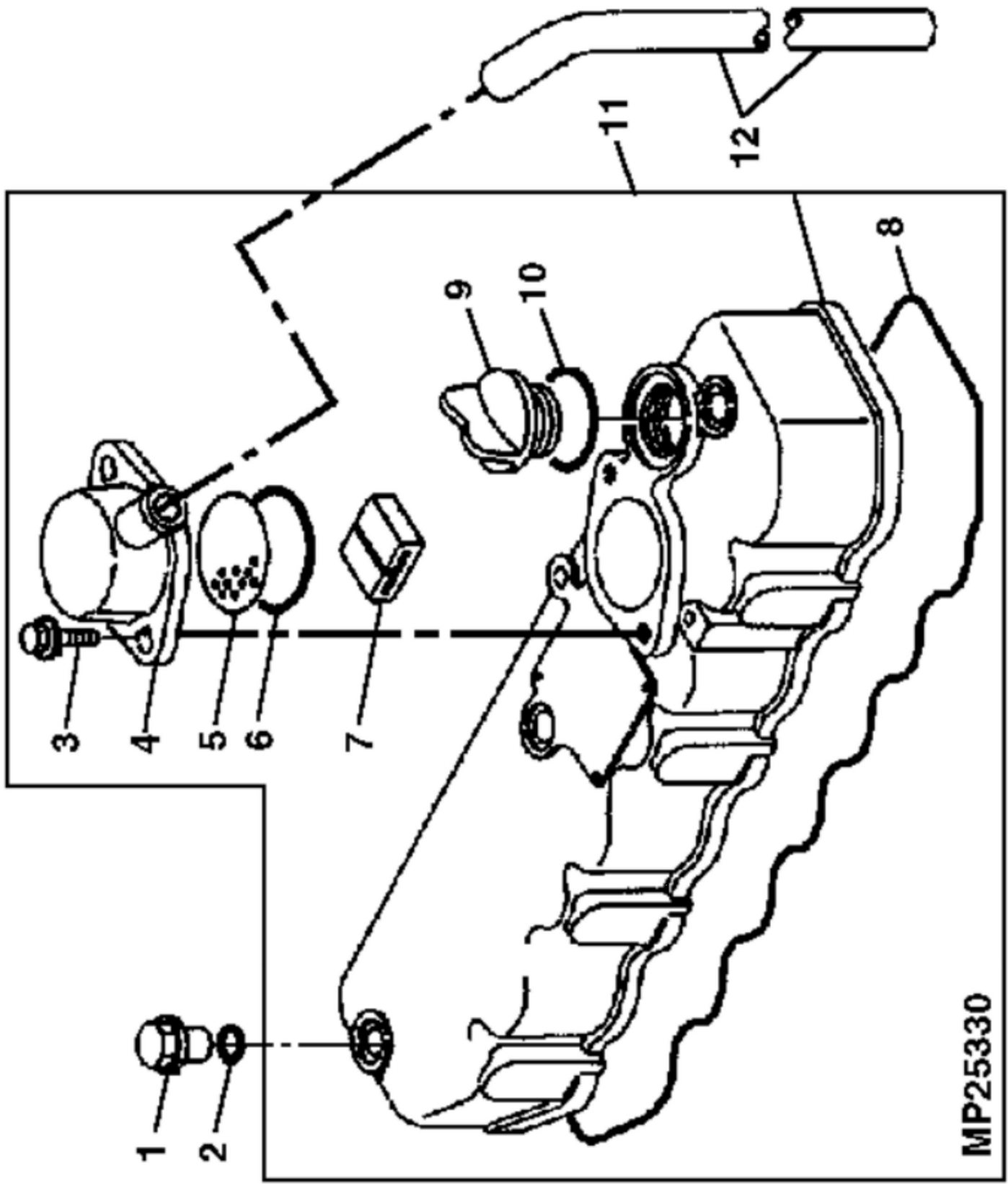
KEY	PART NO.	PART NAME	QTY	REMARKS
1	M801024	STUD	3	
2	19M7800	SCREW	7	M8 X 50, (HS, HEAD MARKED 10.9)
3	M801028	NUT	1	
4	M801027	SCREW	1	
5	.....	ROCKER ARM	1	(ORDER AM875383)
6	AM875383	ROCKER ARM	8	
7	M801022	SUPPORT	2	ROCKER ARM
8	M801023	SUPPORT	3	ROCKER ARM
9	M801025	SPRING	4	
10	19M7867	SCREW	3	M8 X 25, (HS, HEAD MARKED 10.9)
11	M800002	PLUG	2	
12	.....	ROCKER ARM SHAFT	1	(ORDER AM875382)
13	AM875382	SHAFT	1	ROCKER ARM
14	M801224	CAP	8	
15	AM878862	RETAINER KIT	4	(2 PER PKG), (SUB FOR CH10067)
16	M801223	RETAINER	8	SPRING
17	M801222	SPRING	8	VALVE
18	T110650	SEAL	4	EXHAUST
19	CH10450	SEAL	4	INTAKE
20	M801227	GUIDE	4	INTAKE
21	M801228	GUIDE	4	EXHAUST
22	CH16751	PLUG	2	
23	CH18079	SPRING PIN	2	
24	M801220	INTAKE VALVE	4	
25	MIU800494	EXHAUST VALVE	4	(SUB FOR M811796)
26	M801219	BOLT	8	
27	M801017	VALVE SEAT	4	
28	M801016	SEAL	4	
29	M801018	RETAINER	4	
30	14M7303	FLANGE NUT	8	M6
31	AM879737	CYLINDER HEAD	1	
32	AT211695	ADJUSTING STRAP	2	ENGINE LIFT
33	19M7865	SCREW	4	M8 X 16, (HS, HEAD MARKED 10.9)
34	14M7273	NUT	3	M8



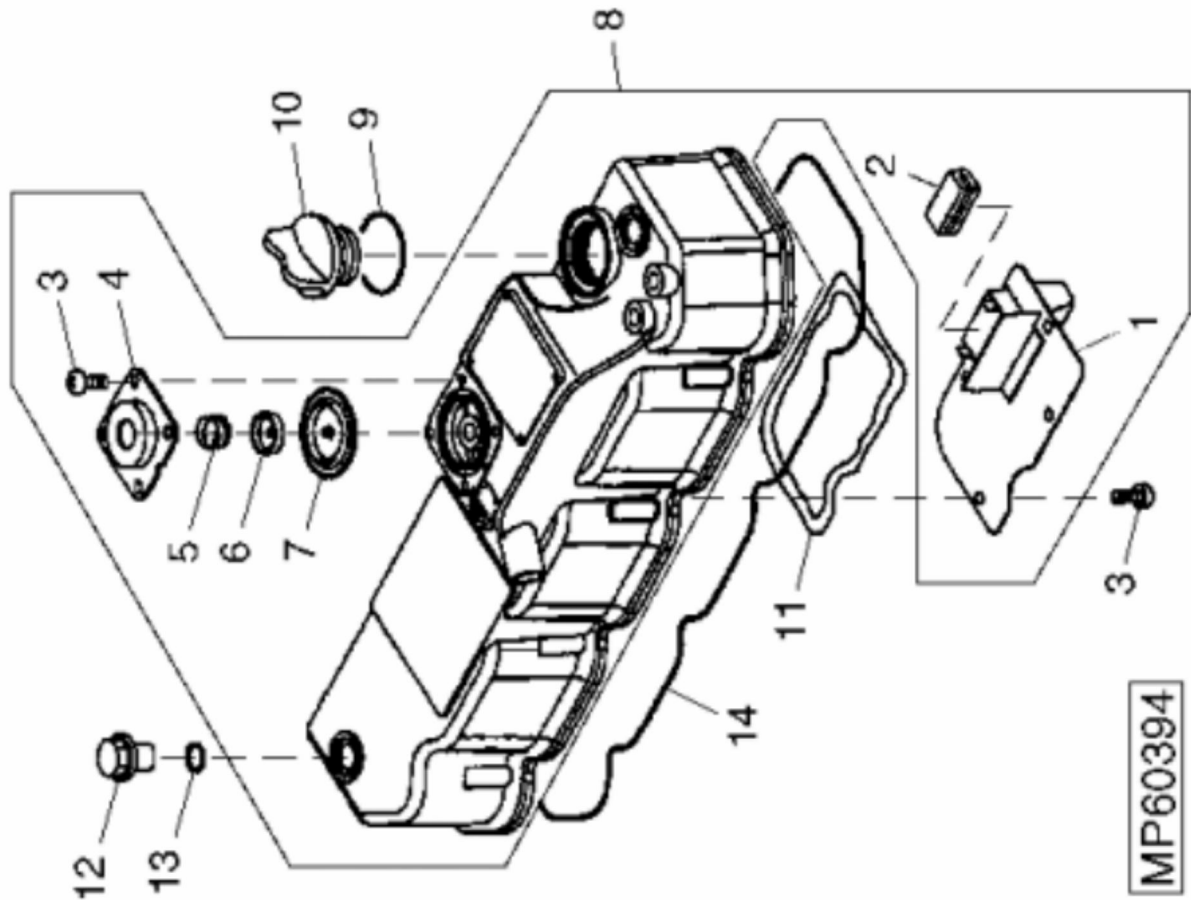
MP60404

KEY	PART NO.	PART NAME	QTY	REMARKS
1	M801024	STUD	3	
2	19M7800	SCREW	7	M8 X 50, (HS, HEAD MARKED 10.9)
3	M801028	NUT	1	
4	M801027	SCREW	1	
5	.....	ROCKER ARM	1	(ORDER AM881820)
6	AM881820	ROCKER ARM	8	
7	M811050	SUPPORT	2	ROCKER ARM
8	M811051	SUPPORT	3	ROCKER ARM
9	M801025	SPRING	4	
10	19M7867	SCREW	3	M8 X 25, (HS, HEAD MARKED 10.9)
11	M800002	PLUG	2	
12	M811121	SHAFT	1	
13	AM881804	ROCKER ARM SHAFT	1	ROCKER ARM
14	M801224	CAP	8	
15	AM878862	RETAINER KIT	4	(2 PER PKG)
16	M801223	RETAINER	8	SPRING
17	M801222	SPRING	8	VALVE
18	T110650	SEAL	4	EXHAUST
19	CH10450	SEAL	4	INTAKE
20	M801227	GUIDE	4	INTAKE
21	M801228	GUIDE	4	EXHAUST
22	CH16751	PLUG	2	
23	CH18079	SPRING PIN	2	
24	MIU800446	INTAKE VALVE	4	(SUB FOR M811086 AND M811797)
25	MIU800494	EXHAUST VALVE	4	(SUB FOR M811796)
26	M811052	SHIELD	4	
27	M801017	VALVE SEAT	4	
28	M811088	RETAINER	4	
29	M811080	WASHER	4	
30	19M7897	SCREW	4	M8 X 35, (HS, HEAD MARKED 10.9)
31	AM881802	CYLINDER HEAD	1	
32	AT211695	ADJUSTING STRAP	2	ENGINE LIFT
33	19M7865	SCREW	4	M8 X 16, (HS, HEAD MARKED 10.9)
34	14M7273	NUT	3	M8



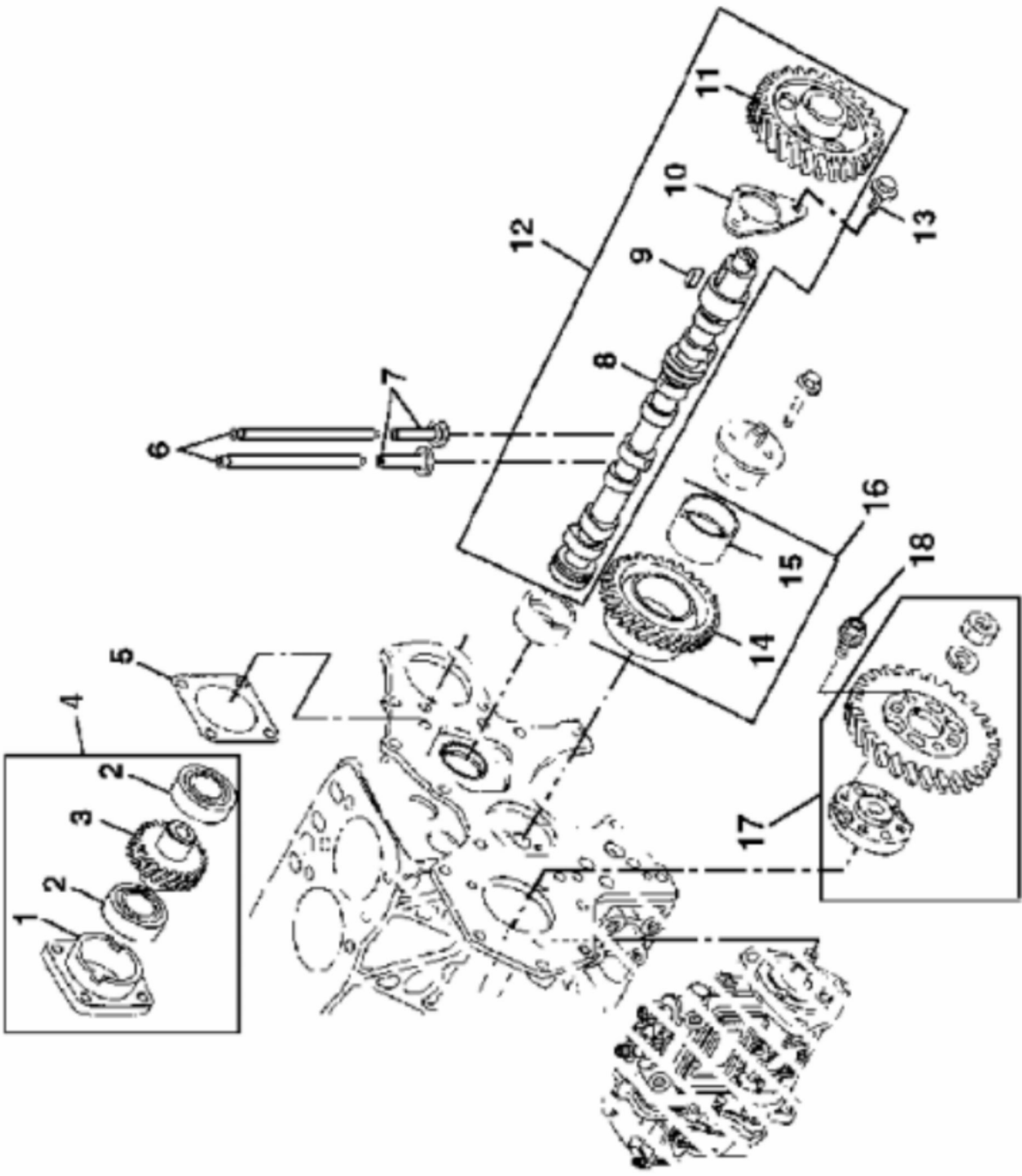


KEY	PART NO.	PART NAME	QTY	REMARKS
1	CH10348	NUT	3	
2	CH10568	PACKING	3	
3	19M7865	SCREW	2	M8 X 16, (HS, HEAD MARKED 10.9)
4	M801031	CAP	1	
5	M801033	PLATE	1	
6	M801034	O-RING	1	
7	M801032	DEFLECTOR	1	
8	M801230	GASKET	1	
9	M805710	CAP	1	
10	M805711	PACKING	1	
11	RG60621	COVER	1	
12	M801037	HOSE	AR	BREATHER, (CUT TO LENGTH)



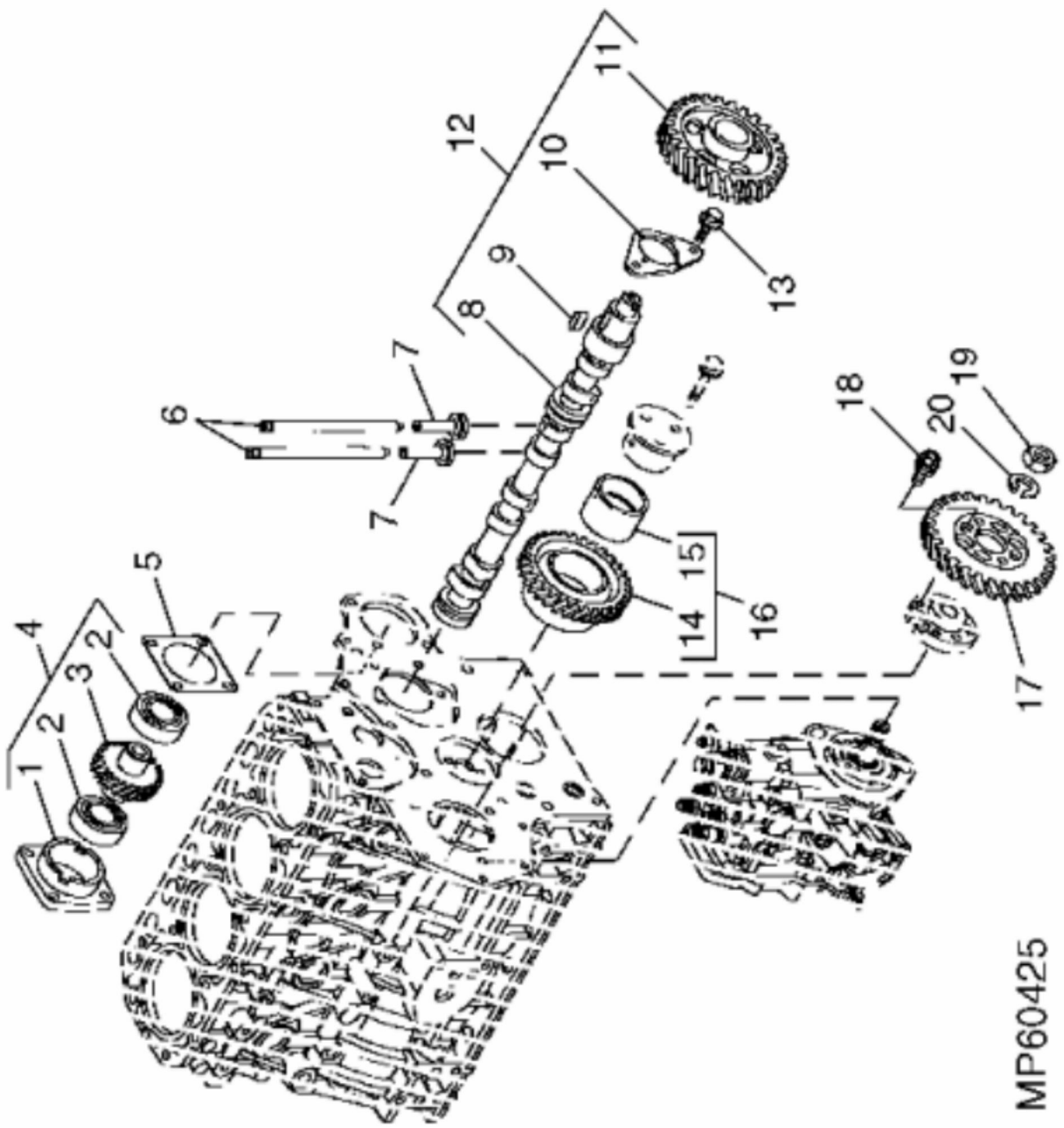
MP60394

KEY	PART NO.	PART NAME	QTY	REMARKS
1	M811085	PLATE	1	
2	M801032	DEFLECTOR	1	
3	M807374	SCREW	8	
4	M811649	COVER	1	(SUB FOR M811047)
5	M811650	SPRING	1	(SUB FOR M811049)
6	M811046	PLATE	1	
7	M811048	DIAPHRAGM	1	
8	AM881803	VALVE COVER	1	
9	M805711	PACKING	1	
10	M805710	CAP	1	
11	M64850	SEALANT	1	
12	CH10348	NUT	3	
13	CH10568	PACKING	3	
14	M811123	GASKET	1	



MP25516

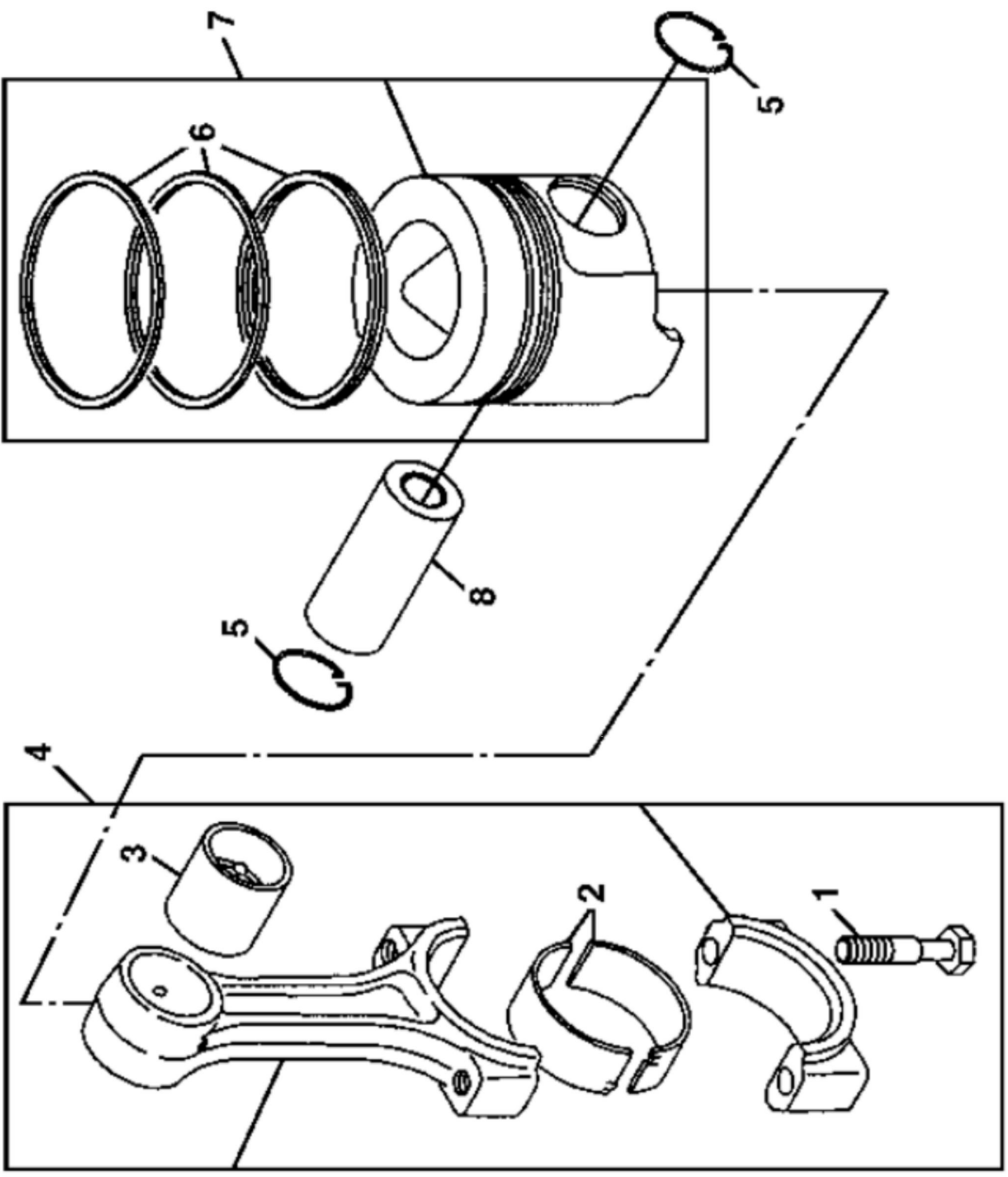
KEY	PART NO.	PART NAME	QTY	REMARKS
1	M802618	BRACKET	1	
2	CH13505	BALL BEARING	2	
3	.....	GEAR	1	(ORDER AM876339)
4	AM876339	GEAR	1	
5	M805840	GASKET	1	
6	M801238	PUSH ROD	8	
7	M801046	CAM FOLLOWER	8	
8	.....	CAMSHAFT	1	(ORDER AM875386)
9	M801045	SHAFT KEY	1	
10	.....	THRUST BEARING	1	
11	.....	GEAR	1	
12	AM875386	CAMSHAFT	1	
13	CH19780	BOLT	2	
14	.....	GEAR	1	(ORDER AM875315)
15	M801050	BUSHING	1	
16	AM875315	GEAR	1	
17	M801239	GEAR	1	
18	.....	BOLT	4	



MP60425

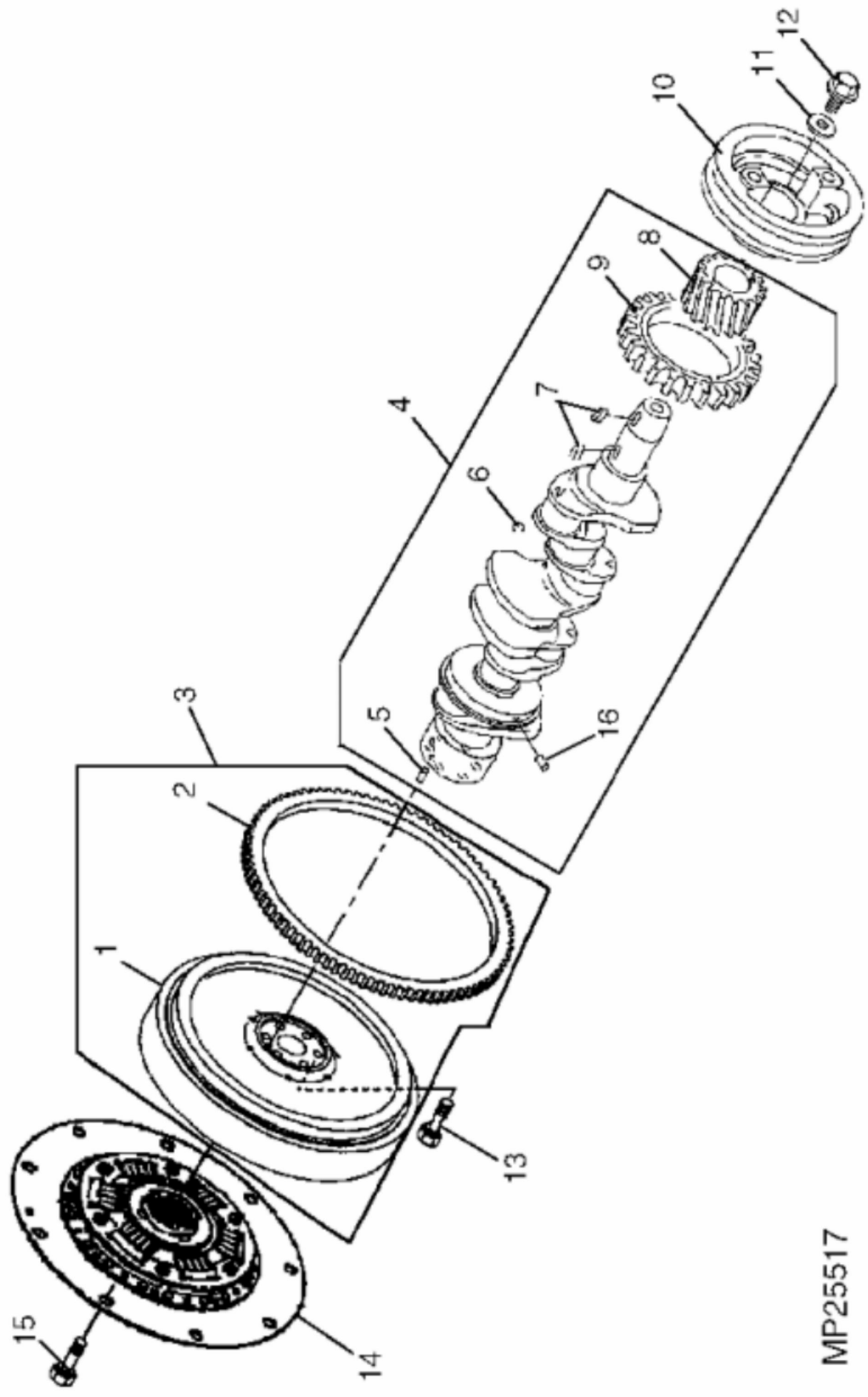
KEY	PART NO.	PART NAME	QTY	REMARKS
1	M802618	BRACKET	1	
2	CH13505	BALL BEARING	2	
3	.....	GEAR	1	(ORDER AM876339)
4	AM876339	GEAR	1	
5	M805840	GASKET	1	
6	M801238	PUSH ROD	8	
7	M801046	CAM FOLLOWER	8	
8	.....	CAMSHAFT	1	(ORDER AM875386)
9	M801045	SHAFT KEY	1	
10	.....	THRUST BEARING	1	
11	.....	GEAR	1	
12	AM875386	CAMSHAFT	1	
13	CH19780	BOLT	2	
14	.....	GEAR	1	(ORDER MIA880571)
15	M801050	BUSHING	1	
16	MIA880571	IDLER GEAR	1	(SUB FOR AM881829)
17	M811057	GEAR	1	
18	.....	BOLT	4	
19	14M7156	NUT	1	M14
20	12M7068	LOCK WASHER	1	14 mm





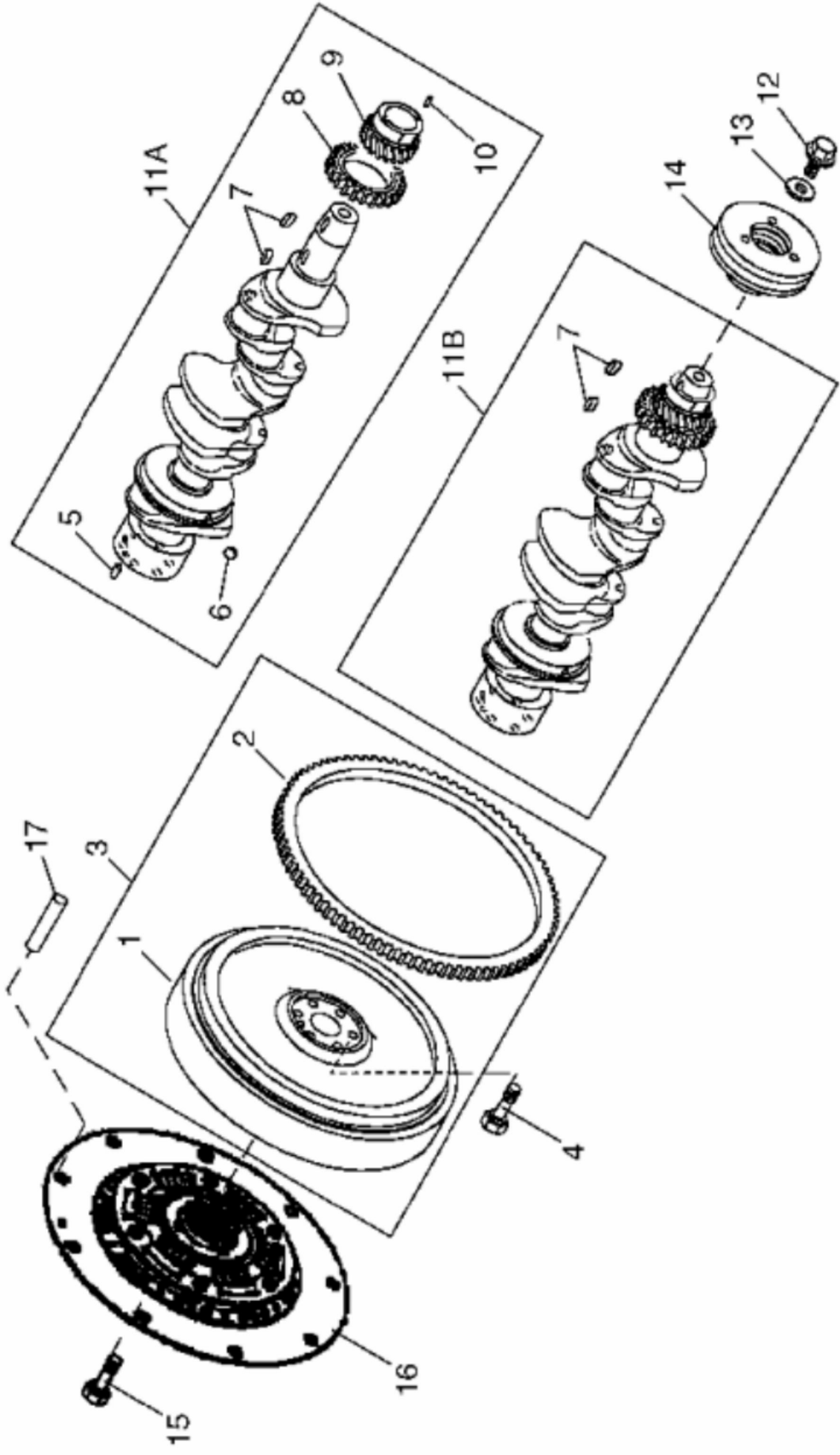
**MP18666**

KEY	PART NO.	PART NAME	QTY	Serial No.	REMARKS
1	CH15483	BOLT	2		
2	M1A880563	BEARING	1		STD, (SUB FOR AM875392)
2	M1A880568	BEARING	1		.25 MM (.010"), US, (SUB FOR AM875395)
3	M801256	BEARING	1		
4	AM875391	CONNECTING ROD	4		
5	M806457	CLIP	8		
6	AM878555	PISTON RING KIT	1	___-311032	STD
6	AM878599	PISTON RING KIT	1	___-311032	.25 MM (.010"), OS
6	AM881812	PISTON RING KIT	1	311033-___	STD
6	AM881810	PISTON RING KIT	1	311033-___	.25 MM (.010"), OS
7	AM880366	PISTON	4	___-311032	STD
7	AM880566	PISTON	4	___-311032	.25 MM (.010"), OS
7	AM881814	PISTON	4	311033-___	STD
7	AM881811	PISTON	4	311033-___	.25 MM (.010"), OS
8	M806456	PISTON PIN	4		



MP25517

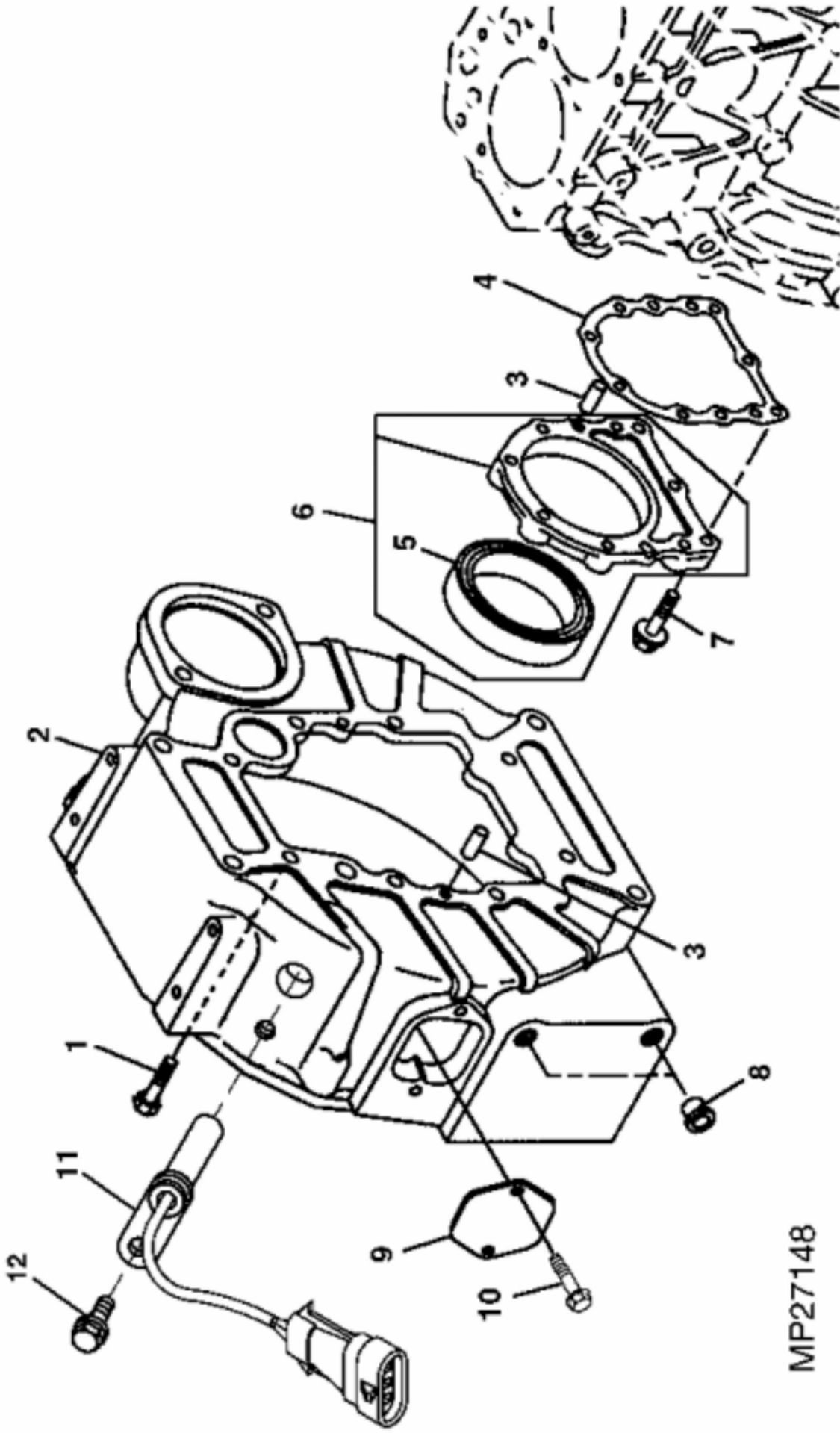
KEY	PART NO.	PART NAME	QTY	REMARKS
1	.....	FLYWHEEL	1	(ORDER AM879900)
2	CH10466	GEAR	1	
3	AM879900	FLYWHEEL	1	
4	AM879978	CRANKSHAFT	1	
5	M802255	PIN	1	
6	400R	BALL	4	
7	M801045	SHAFT KEY	2	
8	.....	GEAR	1	(ORDER AM879978)
9	M810309	GEAR	1	BALANCER
10	M811298	PULLEY	1	CRANKSHAFT, (SUB FOR M804359)
11	M801055	WASHER	1	
12	CH16798	BOLT	1	
13	CH19291	BOLT	6	
14	LVA14722	TORSIONAL DAMPER	1	CLUTCH, (SUB FOR M808463)
15	19M7865	SCREW	6	M8 X 16, (HS, HEAD MARKED 10.9)
16	CH16793	PIN	1	



MP62479

John Deere > Turf And Utility > BACKHOE, LOADER > 110 - BACKHOE, LOADER > 110 Tractor Loader Backhoe (Worldwide Edition) > 20 ENGINE 4TNE84-EJTLB, 4TNV88-MJTLB > ST151427 - CRANKSHAFT AND FLYWHEEL (4TNV88-MJTLB) (311033 - 711000)

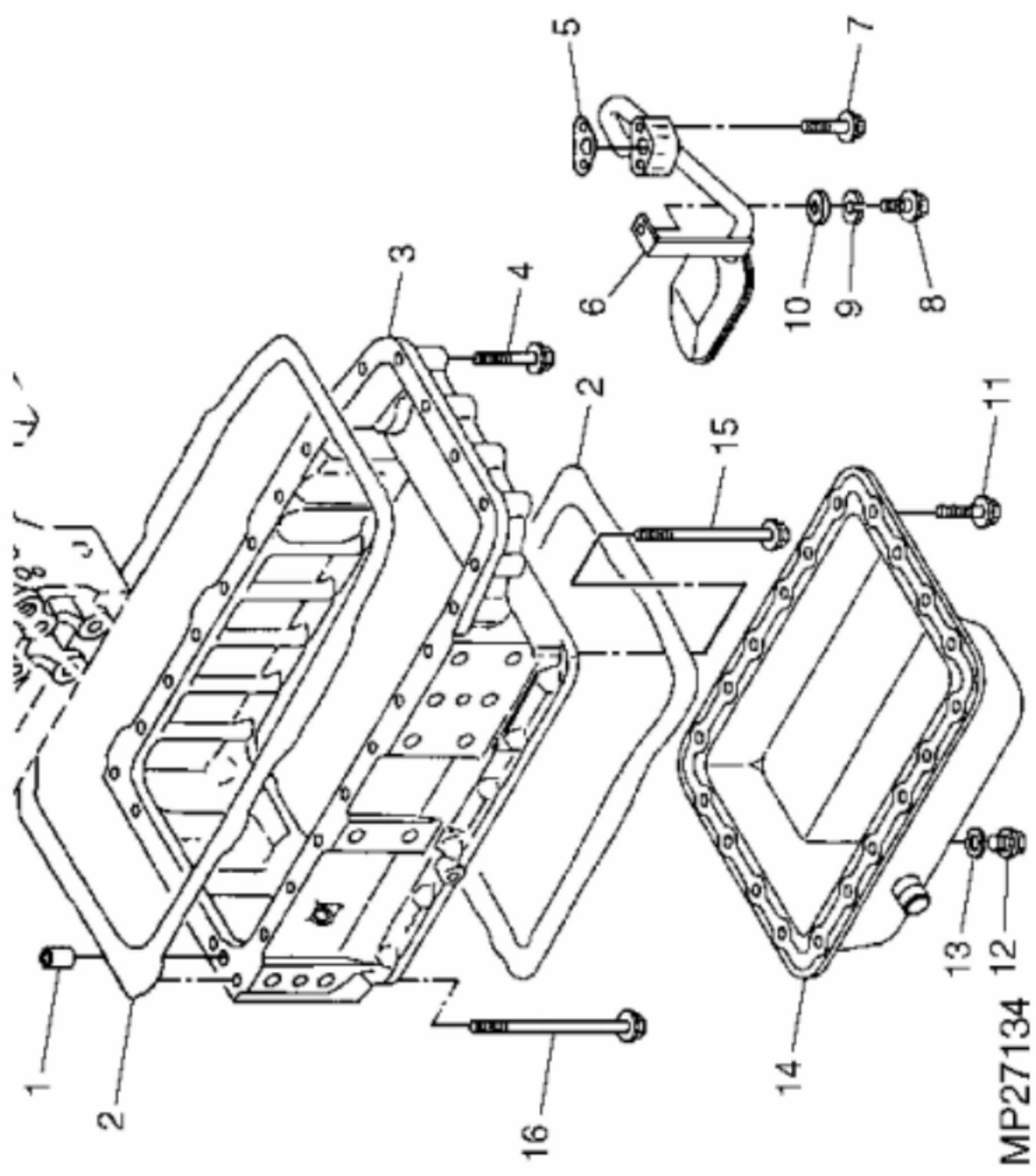
KEY	PART NO.	PART NAME	QTY	Engine Serial No.	REMARKS
1	.....	FLYWHEEL	1		(ORDER MIA881769)
2	CH10466	GEAR	1		
3	MIA881769	FLYWHEEL KIT	1		SUB FOR AM882207
4	CH19291	BOLT	6		
5	M802255	PIN	1		
6	400R	BALL	4		
7	M801045	SHAFT KEY	2		
8	M810309	GEAR	1		BALANCER
9	M811053	GEAR	1		(SUB AM882543)
10	CH16793	PIN	1		
11A	AM881948	CRANKSHAFT	1		(SUB AM882543)
11B	AM882543	CRANKSHAFT	1		
12	CH16798	BOLT	1		
13	M801055	WASHER	1		
14	M811298	PULLEY	1		
15	19M7865	SCREW	8		M8 X 16, (HS, HEAD MARKED 10.9)
16	LVA14722	TORSIONAL DAMPER	1		CLUTCH, (SUB FOR M808463)
17	34M7250	SPRING PIN	3	____-XXXXXX	10 X 20 mm
17	44M7131	DOWEL PIN	3	XXXXXX-____	



MP27148

KEY	PART NO.	PART NAME	QTY	Engine Serial No.	REMARKS
1	19M7402	CAP SCREW	8		M10 X 25, (HS, HEAD MARKED 10.9)
2	M810326	HOUSING	1		FLYWHEEL
3	M802255	PIN	2		
4	M64850	LIQUID GASKET	AR		
5	M805278	SEAL	1		
6	AM875375	CASE	1		(SUB FOR RG60617)
7	M808308	BOLT	9		
8	CH15738	CAP	4		
9	M132855	PLATE	1		
10	19M7864	SCREW	2		M8 X 12, (HS, HEAD MARKED 10.9)
11	LVA11184	SENSOR	1	____-311032	ENGINE SPEED
12	19M9007	SCREW	1		M6 X 12
..	M132854	PLATE	1		CLUTCH HOUSING ACCESS





MP27134

**Please write to us.**

**Our email:**

**aservicemanualpdf@yahoo.com**

**Please go to the homepage  
to get the full manual, or  
other brand PDF manuals.**

**Home Site:**

**aservicemanualpdf.com**

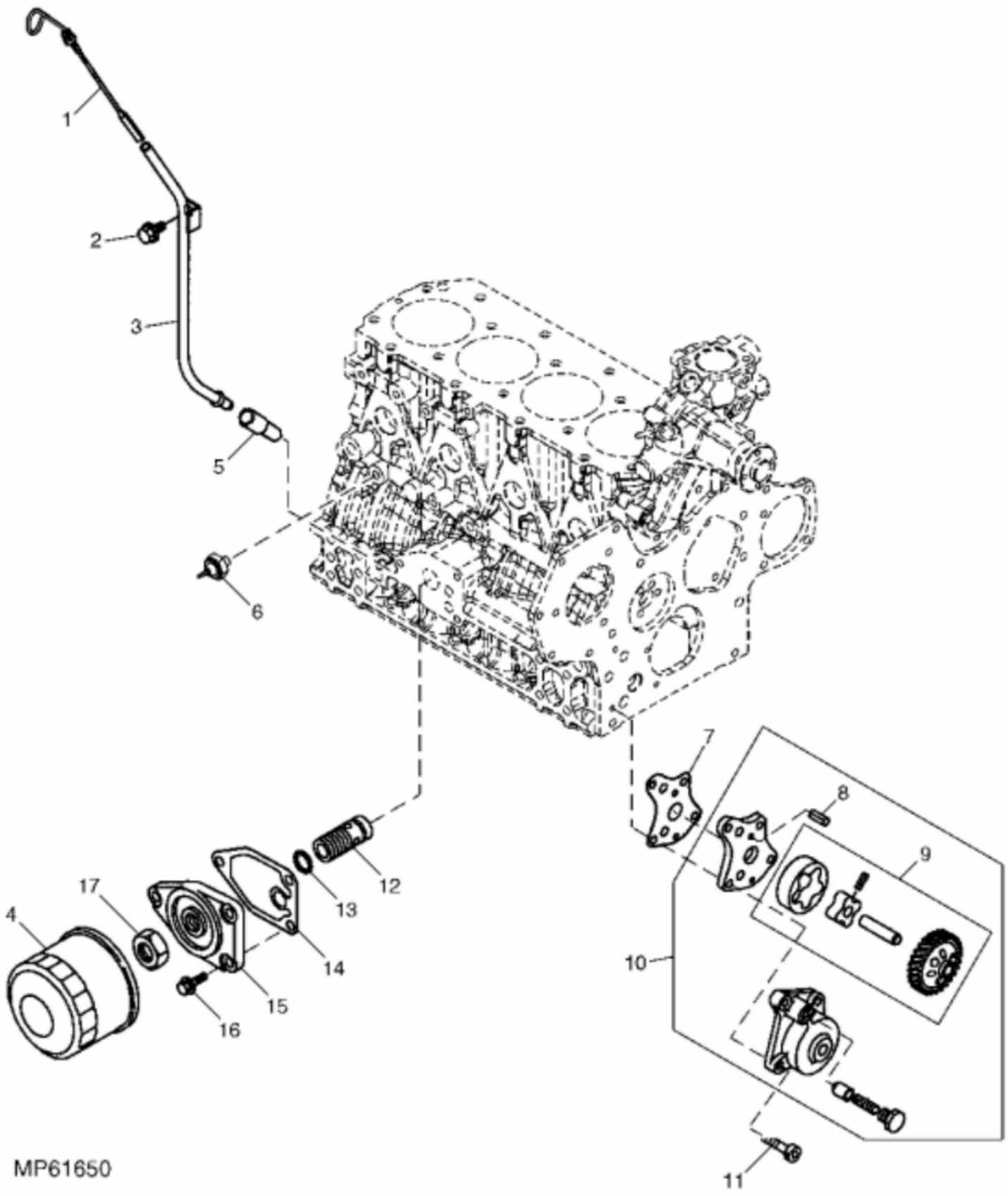
**Thank you very much for your reading. Please Click Here. Then Get COMPLETE MANUAL. NO WAITING**



**NOTE:**

**If there is no response to click on the link above, please download the PDF document first and then click on it.**

KEY	PART NO.	PART NAME	QTY	REMARKS
1	T110645	PIPE	1	
2	M64850	SEALANT	AR	
3	M808639	EXTENSION	1	OIL SUMP
4	19M7800	SCREW	8	M8 X 50, (HS, HEAD MARKED 10.9)
5	M811792	GASKET	1	(SUB FOR M805829)
6	AM877278	OIL PUMP INTAKE	1	
7	19M7897	SCREW	2	M8 X 35, (HS, HEAD MARKED 10.9), (SUB FOR M87884)
8	19M7932	CAP SCREW	1	M8 X 16, (HS, HEAD MARKED 10.9)
9	12M7065	LOCK WASHER	1	8 mm
10	24M7055	WASHER	1	8.400 X 16 X 1.600 mm
11	19M7864	SCREW	20	M8 X 12, (HS, HEAD MARKED 10.9)
12	T111565	PLUG	1	(A)
13	M806433	WASHER	1	(A)
14	M810314	PLATE	1	(A), OIL PAN, (SUB AM881955)
15	CH19093	BOLT	14	
16	T111562	BOLT	4	
..	AM881955	COVER	1	OIL PAN, (INCLUDES PARTS MARKED (A))



MP61650

KEY	PART NO.	PART NAME	QTY	REMARKS
1	M808654	DIPSTICK	1	
2	19M7864	SCREW	1	M8 X 12, (HS, HEAD MARKED 10.9)
3	M808657	GUIDE	1	
4	M806419	OIL FILTER	1	
5	M89143	GUIDE	1	
6	M809526	SWITCH	1	
7	M801005	GASKET	1	
8	CH10539	SPRING PIN	2	
9	.....	ROTOR	1	(ORDER AM878891)
10	AM878891	OIL PUMP	1	
11	M800676	BOLT	4	
12	AM880983	HYDRAULIC PRESSURE VALVE	1	(SUB FOR M806738)
13	CH10570	O-RING	1	
14	M805830	GASKET	1	
15	M801000	BRACKET	1	
16	19M7866	SCREW	3	M8 X 20, (HS, HEAD MARKED 10.9)
17	M89148	NUT	1	