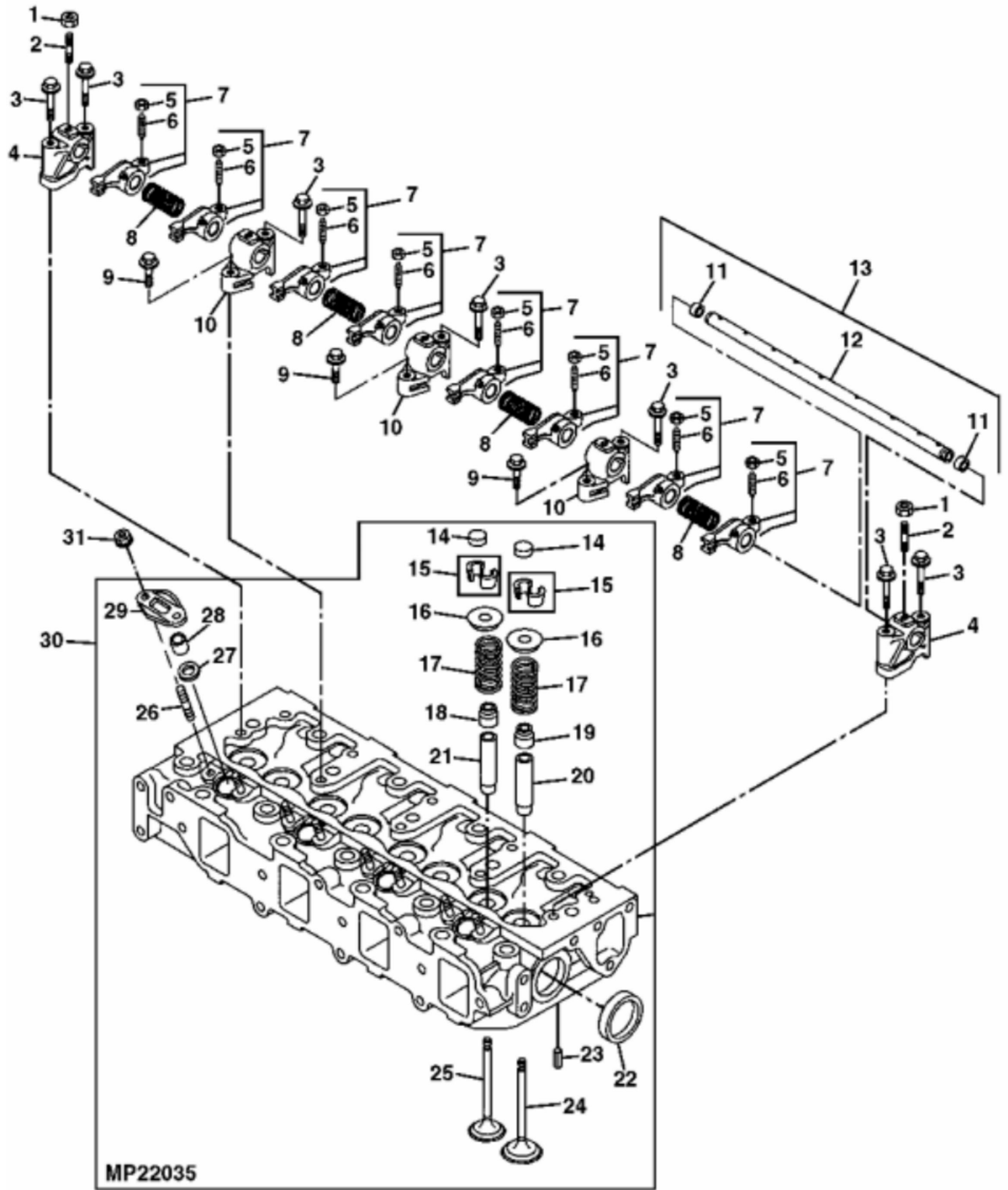


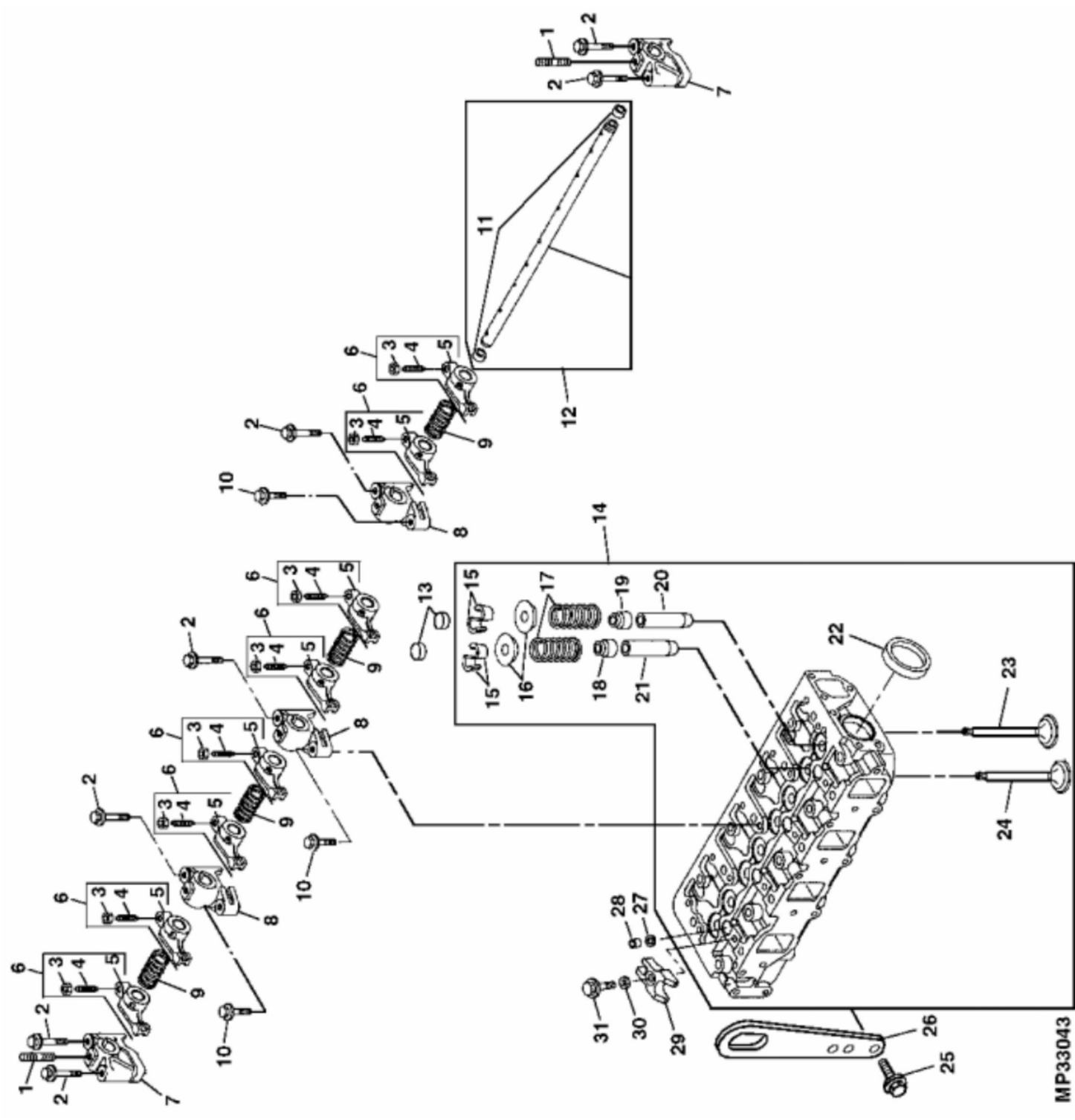
MP33042

KEY	PART NO.	PART NAME	QTY	REMARKS
1	M801186	BOLT	18	
2	M806505	ENGINE CYLINDER HEAD GASKET	1	
3	AM879992	CYLINDER BLOCK	1	(ENGINE MARKED 4TNE84)
3	AM881947	CYLINDER BLOCK	1	(ENGINE MARKED 4TNNV84)
4	T113961	PLUG	1	(ENGINE MARKED 4TNE84)
4	M811307	PLUG	1	(ENGINE MARKED 4TNNV84)
5	M802255	PIN	4	
6	30M7023	PLUG	8	
7	M806840	PLUG	1	
8	CH18079	SPRING PIN	2	
9	M806938	PLUG	1	(ENGINE MARKED 4TNE84)
10	15H562	PIPE PLUG	1	1"
11	M800977	BUSHING	1	NLA; Camshaft
12	M800978	SHAFT	1	IDLER (ENGINE MARKED 4TNE84)
12	M811055	SHAFT	1	IDLER (ENGINE MARKED 4TNNV84)
13	CH19101	BOLT	2	M8 X 45 , (ENGINE MARKED 4TNE84)
13	19M8317	BOLT	3	(ENGINE MARKED 4TNNV84)
14	M87801	PLUG	2	
15	M800974	PIPE	2	
16	CH10554	PACKING	4	
17	19M7864	SCREW	4	M8 X 12
18	AM875371	BEARING KIT	5	MAIN, STD (ENGINE MARKED 4TNE84)
18	M1A880554	BEARING	5	MAIN, STD (ENGINE MARKED 4TNNV84) (SUB FOR AM881821)
18	M1A880550	BEARING	5	.25 MM (.010") US, MAIN, (SUB FOR AM875374)
19	BEARING CAP	4	
20	BEARING CAP	1	
21	M1A880555	BEARING	2	THRUST (SUB FOR AM875373)
22	M801189	BOLT	10	
23	CH10335	PLUG	2	
24	EPC200680	PLUG	1	(ENGINE MARKED 4TNE84)
24	CH10314	PLUG	1	(ENGINE MARKED 4TNNV84)
25	M811084	SPACER	1	(ENGINE MARKED 4TNNV84)
26	AM882543	CRANKSHAFT	1	Not Illustrated
27	M809565	DRAIN PLUG	1	Not Illustrated

KEY	PART NO.	PART NAME	QTY	REMARKS
..	AM880565	SHORT BLOCK ASSEMBLY	1	(ENGINE MARKED 4TNE84)
..	AM881956	SHORT BLOCK ASSEMBLY	1	NLA; ORDER MIA882691 (ENGINE MARKED 4TNV84)
..	MIA882691	SHORT BLOCK ASSEMBLY	1	

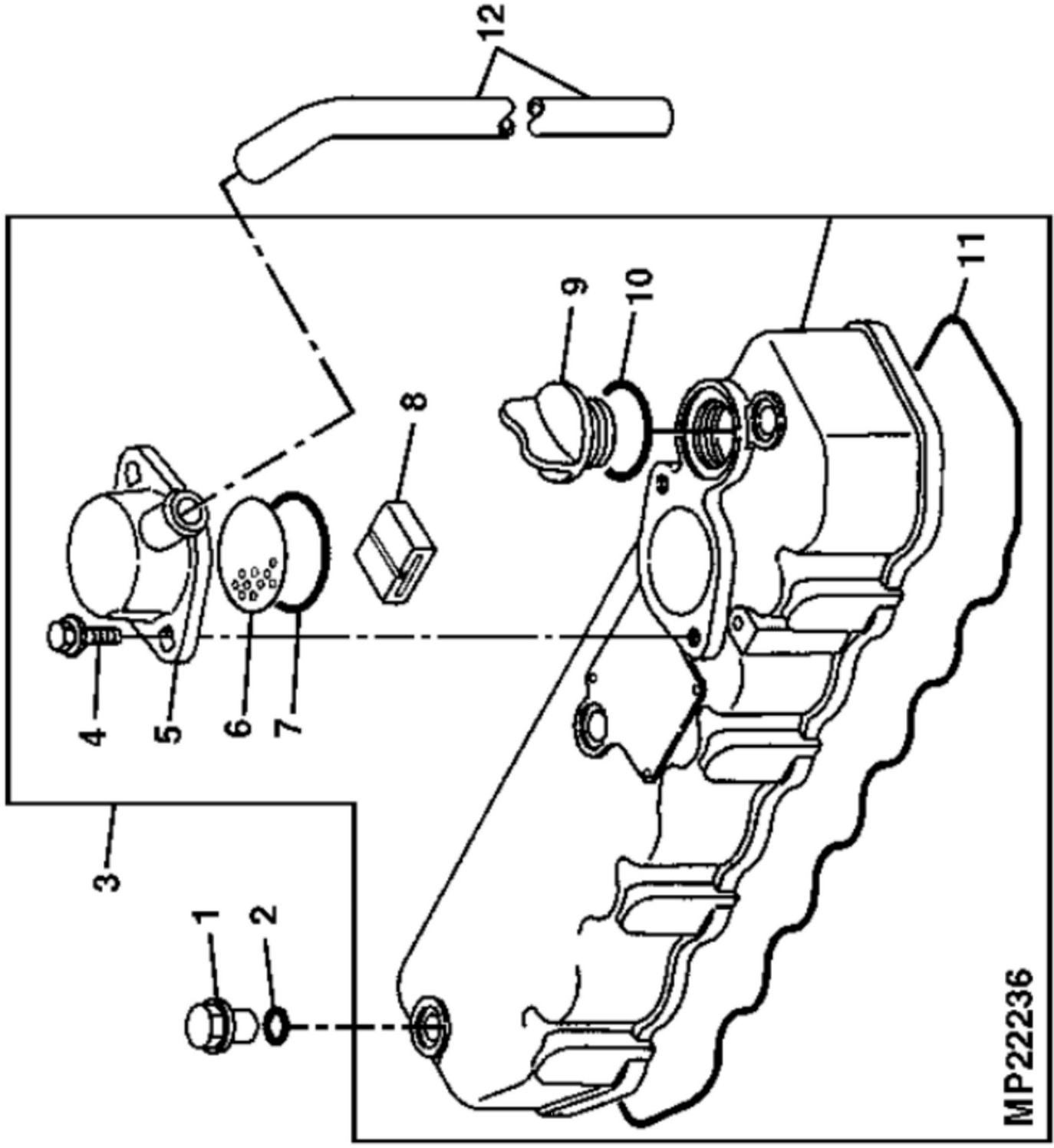


KEY	PART NO.	PART NAME	QTY	REMARKS
1	14M7273	NUT	3	M8
2	M801024	STUD	3	
3	19M7800	SCREW	7	M8 X 50
4	M801022	SUPPORT	2	
5	M801028	NUT	1	
6	M801027	SCREW	1	
7	AM875383	ARM	8	
8	M801025	SPRING	4	
9	19M7867	SCREW	3	M8 X 25
10	M801023	SUPPORT	3	
11	PLUG	2	
12	SHAFT	1	
13	AM875382	SHAFT	1	
14	M801224	CAP	8	
15	AM878862	RETAINER KIT	8	VALVE KEEPER (INCLUDES 2 HALVES)
16	M801223	RETAINER	8	
17	M801222	SPRING	8	
18	T110650	SEAL	4	
19	CH10450	SEAL	4	
20	M801227	GUIDE	4	INTAKE VALVE
21	M801228	GUIDE	4	EXHAUST VALVE
22	CH16751	PLUG	2	
23	CH18079	SPRING PIN	1	
24	M801220	INTAKE VALVE	4	
25	M801221	EXHAUST VALVE	4	
26	M801219	BOLT	8	M6 X 20
27	M801017	VALVE SEAT	4	
28	M801016	GUARD	4	(SUB FOR M810460)
29	M801018	RETAINER	4	
30	AM879737	CYLINDER HEAD	1	
31	14M7303	FLANGE NUT	8	M6



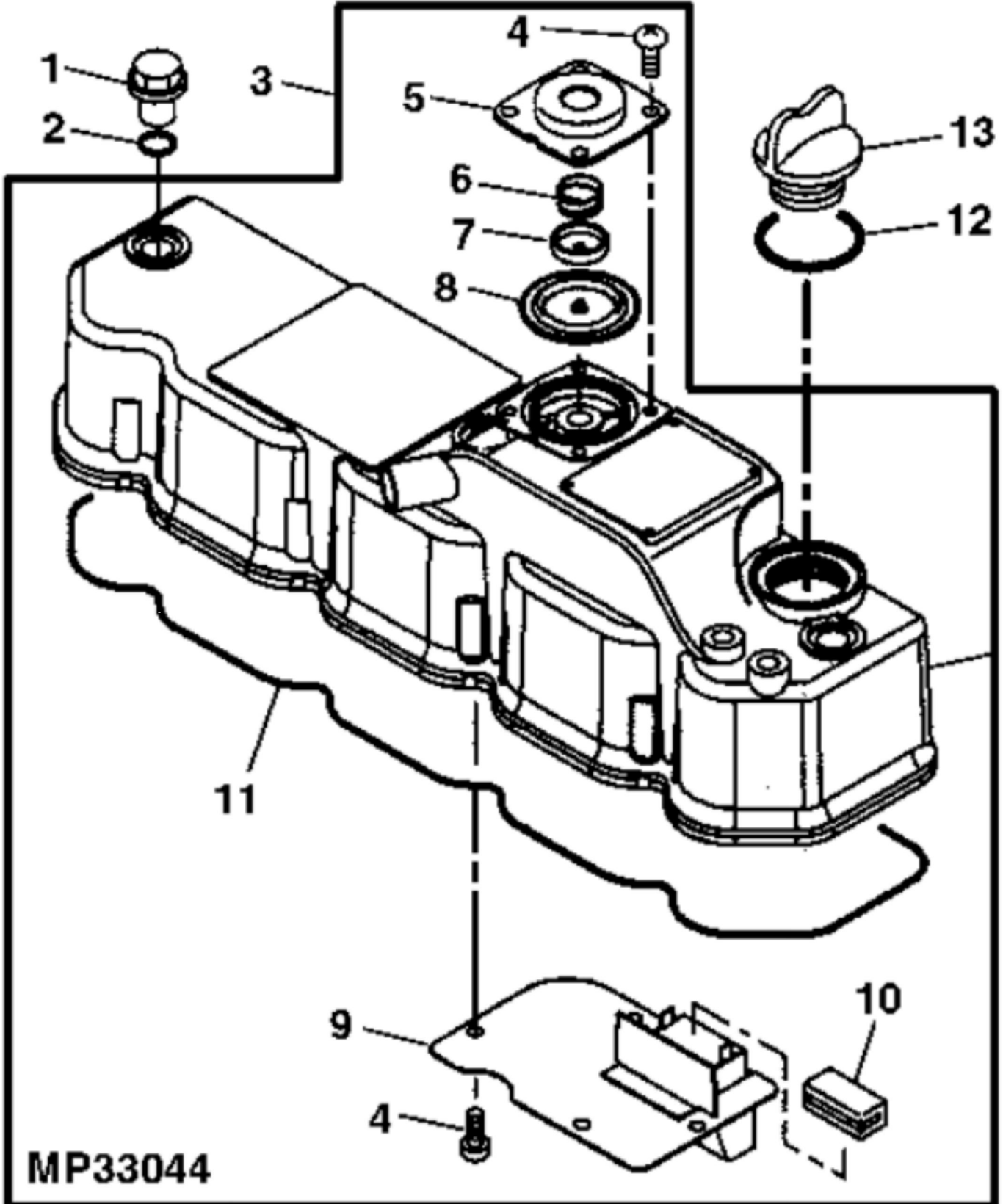
MP33043

KEY	PART NO.	PART NAME	QTY	REMARKS
1	M801024	STUD	3	(A)
2	19M7800	BOLT	7	
3	M801028	NIUT	1	(A)
4	M801027	SCREW	1	(A)
5	ARM	1	(A)
6	AM881820	ROCKER ARM	8	(A)
7	M811050	SUPPORT	2	(A) ROCKER ARM
8	M811051	SUPPORT	3	(A) ROCKER ARM
9	M801025	SPRING	4	(A)
10	19M7867	BOLT	3	
11	M800002	PLUG	2	(A)
12	M811121	SHAFT	1	(A) ROCKER ARM
13	M801224	CAP	8	
14	AM881802	CYLINDER HEAD	1	
15	AM878862	RETAINER KIT	8	PKG OF 2, VALVE RETAINER
16	M801223	RETAINER	8	SPRING
17	M801222	SPRING	8	VALVE
18	T110650	SEAL	4	EXHAUST
19	CH10450	SEAL	4	INTAKE
20	M801227	GUIDE	4	INTAKE
21	M801228	GUIDE	4	EXHAUST
22	CH16751	PLUG	2	
23	M811086	INTAKE VALVE	4	
24	M811796	EXHAUST VALVE	4	(SUB FOR M801221) (SUB MTU800494)
25	19M7865	BOLT	2	
26	AT211695	LIFT LINK	1	
27	M801017	VALVE SEAT	4	
28	M811052	GUARD	4	
29	M811088	RETAINER	4	
30	M811080	WASHER	4	
31	19M7897	BOLT	4	
..	AM881804	KIT	1	ROCKER SHAFT (INCLUDES PARTS MARKED (A))

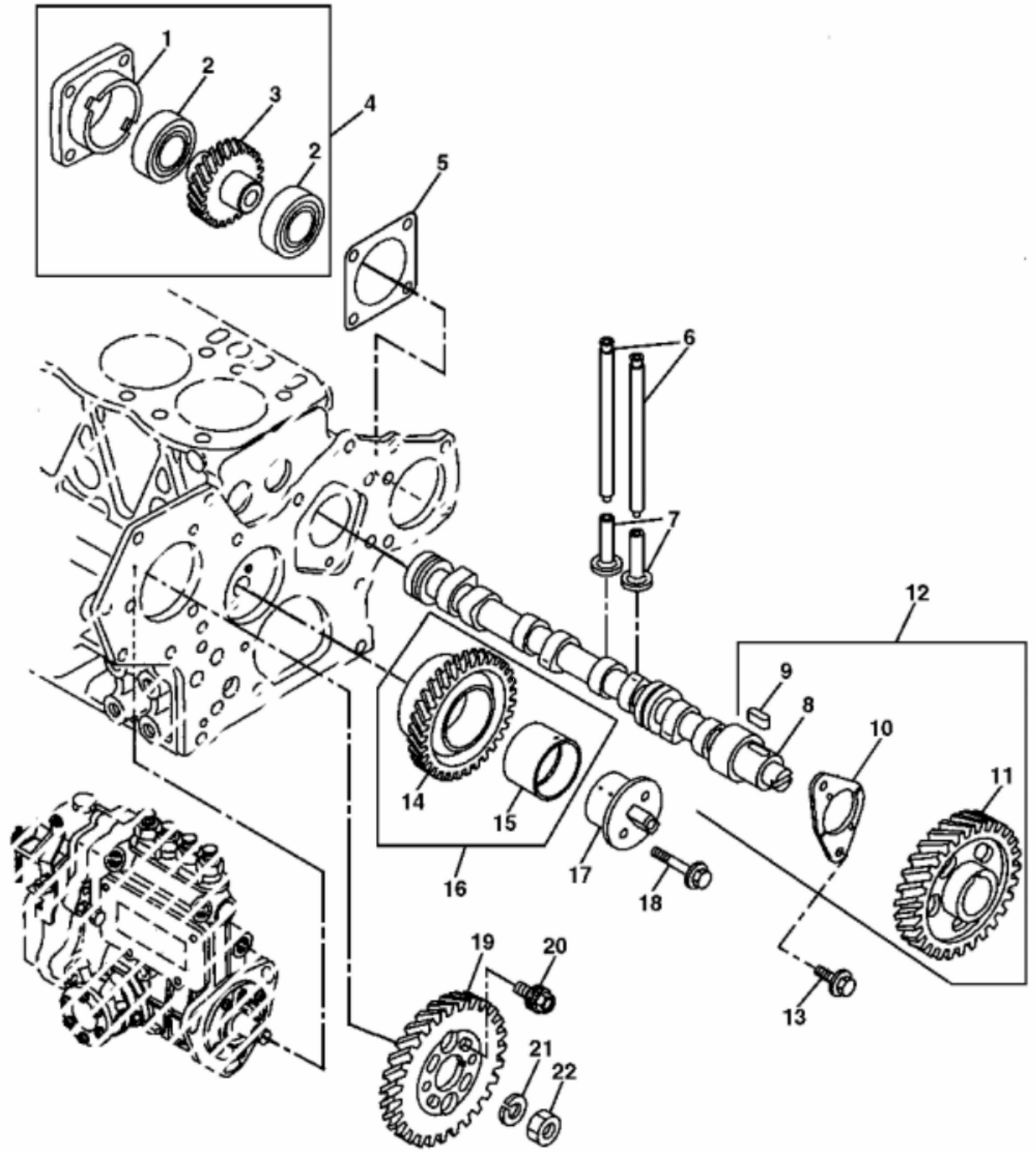


MP22236

KEY	PART NO.	PART NAME	QTY	REMARKS
1	CH10348	NUT	3	
2	CH10568	PACKING	3	
3	RG60621	COVER	1	
4	19M7865	SCREW	2	M8 X 16
5	M801031	CAP	1	BREATHER
6	M801033	PLATE	1	
7	M801034	O-RING	1	
8	M801032	DEFLECTOR	1	
9	M805710	CAP	1	OIL FILL
10	M805711	GASKET	1	
11	M801230	GASKET	1	COVER
12	M801037	HOSE	1	

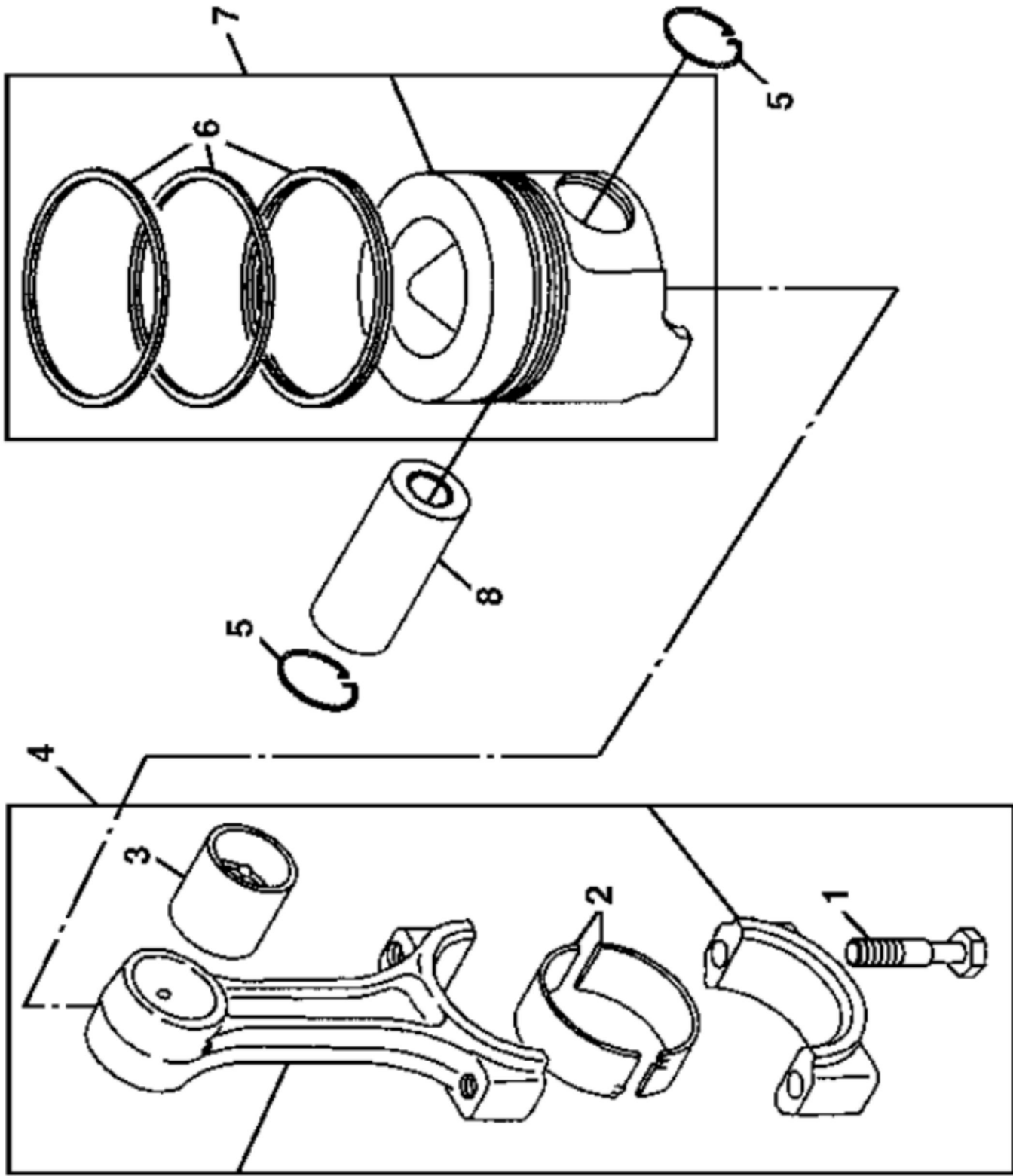


KEY	PART NO.	PART NAME	QTY	REMARKS
1	CH10348	NUT	3	
2	CH10568	PACKING	3	
3	AM881803	VALVE COVER	1	
4	M807374	SCREW	8	
5	M811649	COVER	1	BREATHER (SUB FOR M811047)
6	M811650	SPRING	1	(SUB FOR M811049)
7	M811046	PLATE	1	
8	M811048	DIAPHRAGM	1	
9	M811085	PLATE	1	
10	M801032	DEFLECTOR	1	
11	M811123	GASKET	1	
12	M805711	PACKING	1	
13	M805710	CAP	1	



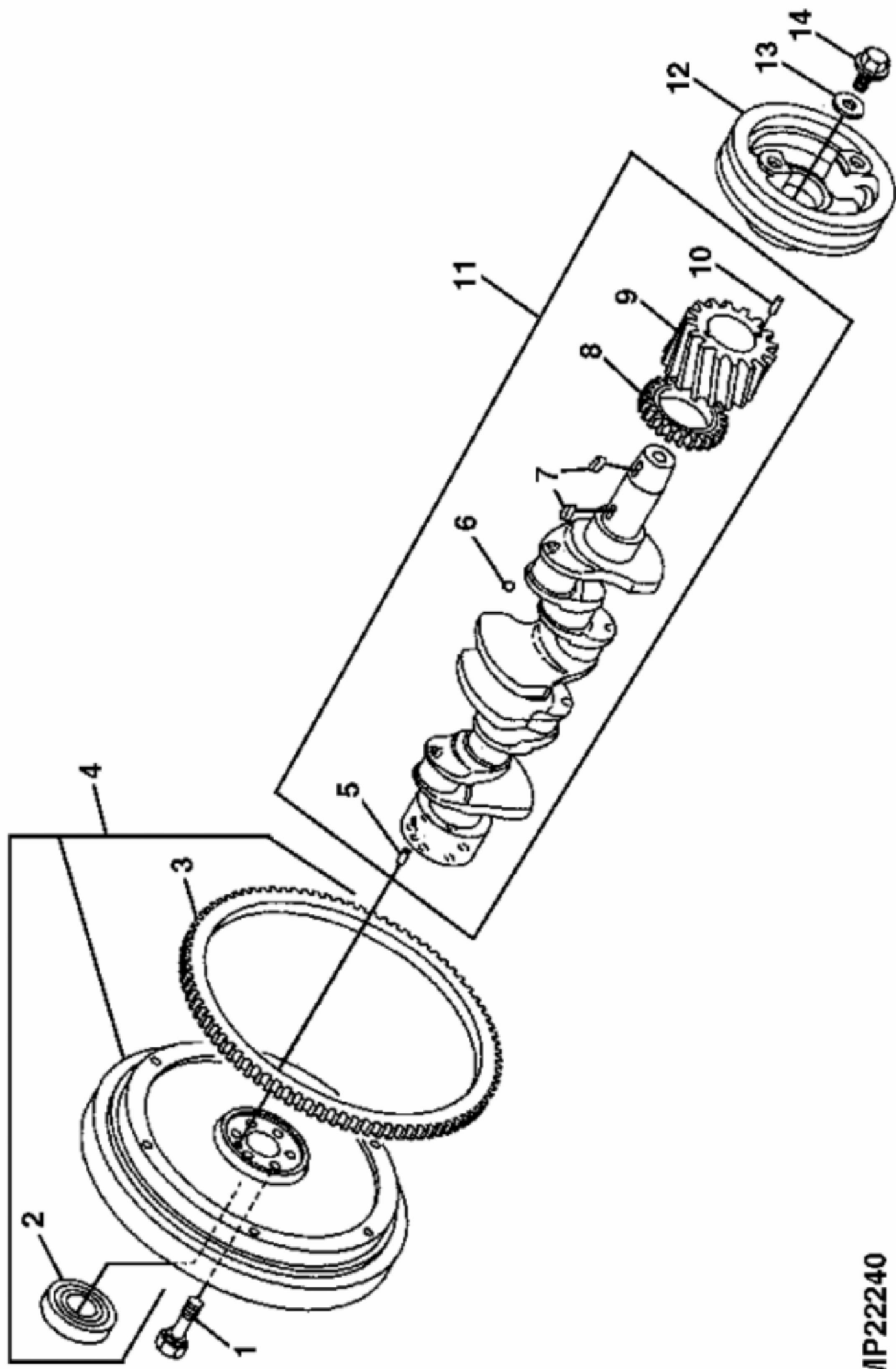
MP22239

KEY	PART NO.	PART NAME	QTY	REMARKS
1	M802618	BRACKET	1	
2	CH13505	BALL BEARING	2	
3	GEAR	1	
4	AM876339	GEAR	1	
5	M805840	GASKET	1	
6	M801238	PUSH ROD	8	
7	M801046	CAM FOLLOWER	8	
8	CAMSHAFT	1	
9	M801045	SHAFT KEY	1	
10	THRUST BEARING	1	
11	GEAR	1	
12	AM875386	CAMSHAFT	1	
13	CH19780	BOLT	2	
14	GEAR	1	
15	M801050	BUSHING	1	(ENGINE MARKED 4TNE84)
15	MIU800595	GEAR	1	(ENGINE MARKED 4TNV84) (SUB FOR M811150)
16	AM875315	GEAR	1	IDLE (ENGINE MARKED 4TNE84)
16	MIA880571	IDLER GEAR	1	(ENGINE MARKED 4TNV84) (SUB FOR AM881829)
17	M800978	SHAFT	1	(ENGINE MARKED 4TNE84)
17	M811055	SHAFT	1	(ENGINE MARKED 4TNV84)
18	CH19101	BOLT	2	(ENGINE MARKED 4TNE84)
18	19M8317	BOLT	3	(ENGINE MARKED 4TNV84)
19	M801239	GEAR	1	(ENGINE MARKED 4TNE84)
19	M811057	GEAR	1	(ENGINE MARKED 4TNV84)
20	BOLT	4	
21	12M7067	LOCK WASHER	1	12 mm, (ENGINE MARKED 4TNE84)
21	12M7068	LOCK WASHER	1	14 mm, (ENGINE MARKED 4TNV84)
22	14M7275	NUT	1	M12, (ENGINE MARKED 4TNE84)
22	14M7156	NUT	1	M14, (ENGINE MARKED 4TNV84)



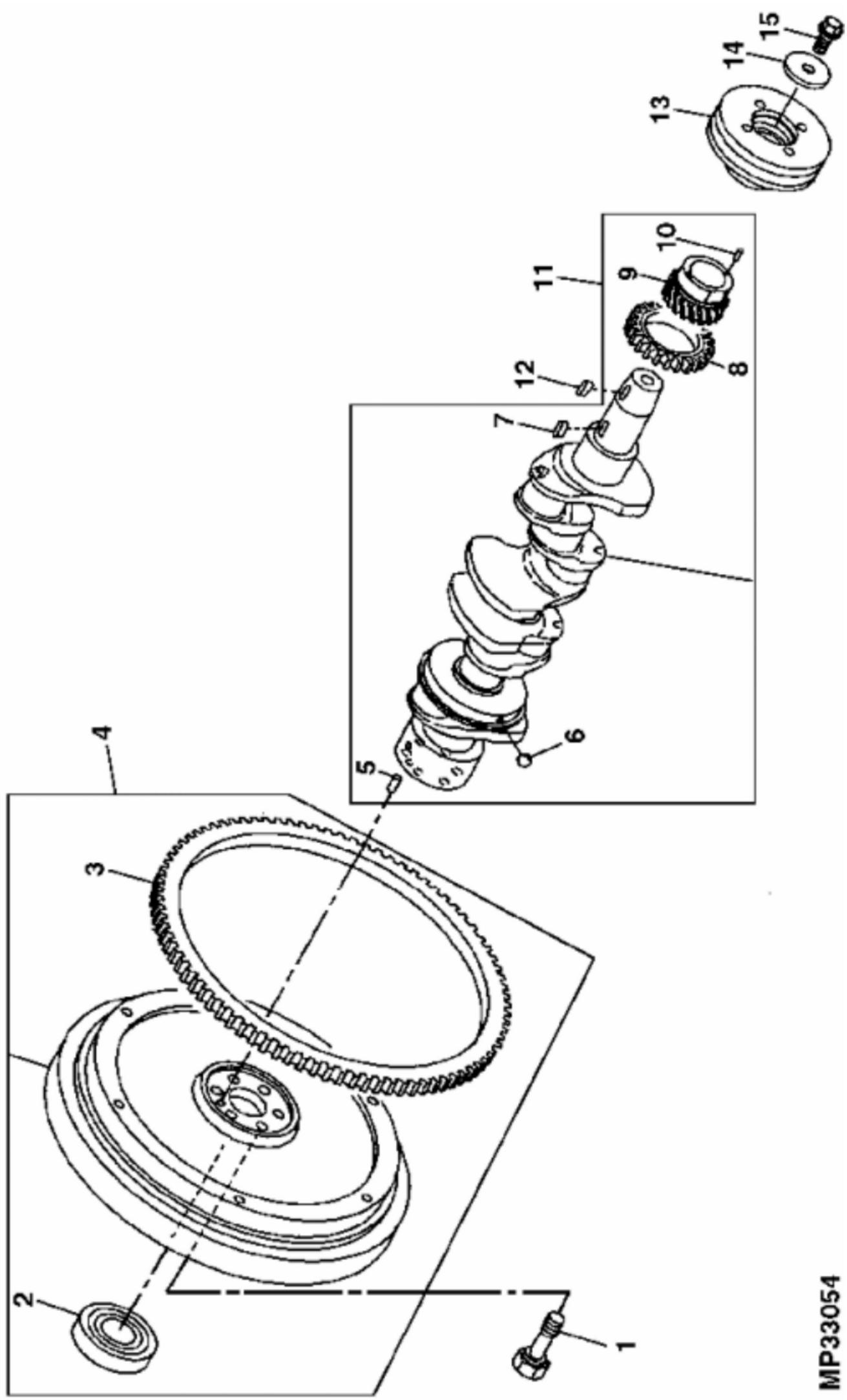
MP18666

KEY	PART NO.	PART NAME	QTY	REMARKS
1	CH15483	BOLT	2	
2	M1A880563	BEARING	1	STD (SUB FOR AM875392)
2	M1A880568	BEARING	1	.25 MM (.010") OS, (SUB FOR AM875395)
3	M801256	BEARING	1	
4	AM875391	CONNECTING ROD	4	
5	M806457	CLIP	8	
6	AM878555	PISTON RING KIT	1	STD (ENGINE MARKED4TNE84)
6	AM878599	PISTON RING KIT	1	.25 MM (.010") OS, (ENGINE MARKED 4TNE84)
6	AM881938	PISTON RING KIT	1	STD (ENGINE MARKED 4TNV84)
6	AM881940	PISTON RING KIT	1	.25 MM (.010") OS, (ENGINE MARKED 4TNV84)
7	AM880366	PISTON REPLACEMENT KIT	4	STD (ENGINE MARKED 4TNE84)
7	AM880566	PISTON REPLACEMENT KIT	4	.25 MM (.010") OS, (ENGINE MARKED 4TNE84)
7	AM881978	PISTON REPLACEMENT KIT	4	STD (ENGINE MARKED 4TNV84)
7	AM881939	PISTON REPLACEMENT KIT	4	.25 MM (.010") OS, (ENGINE MARKED 4TNV84)
8	M806456	PISTON PIN	4	



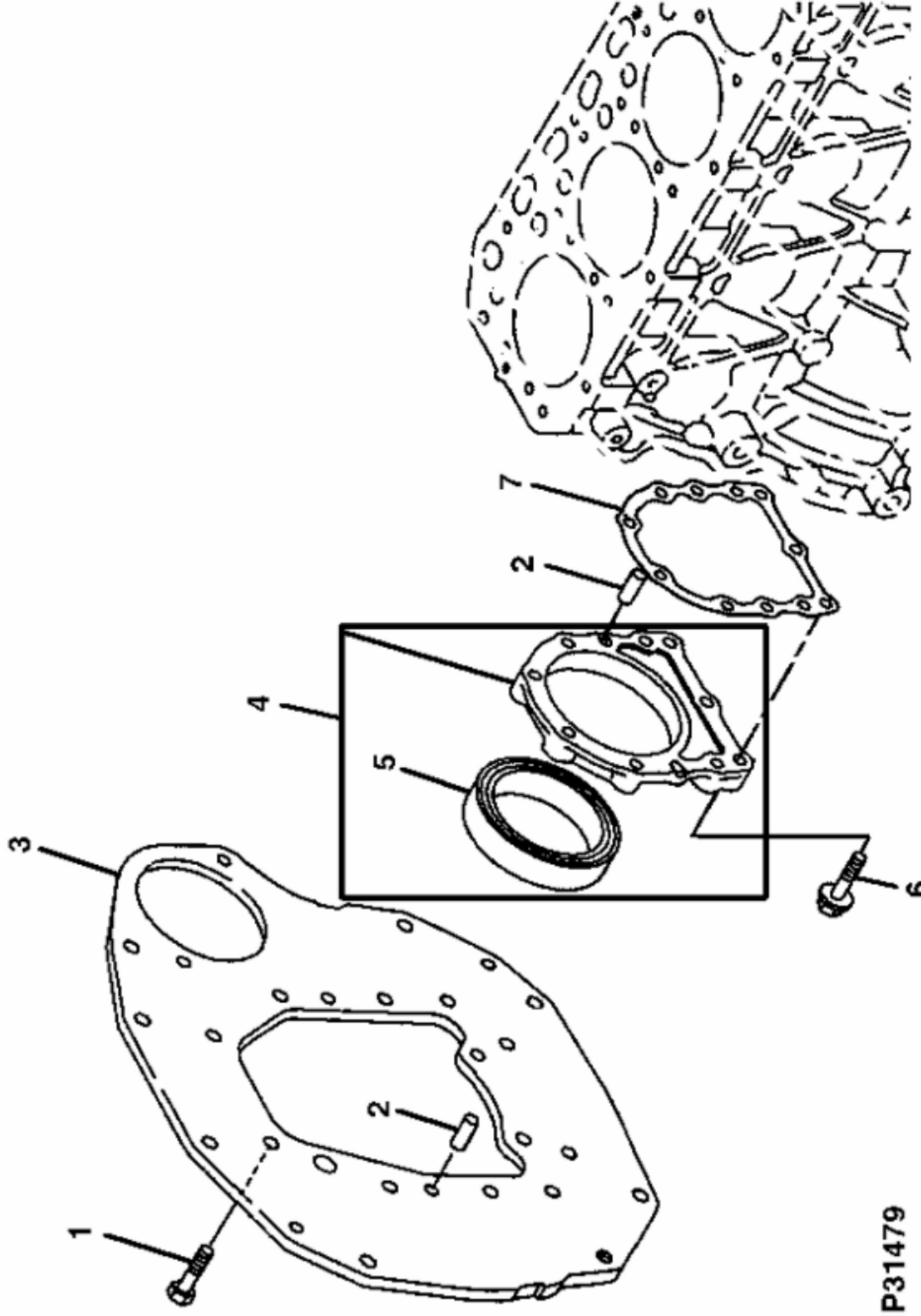
MP22240

KEY	PART NO.	PART NAME	QTY	REMARKS
1	CH19291	BOLT	6	
2	JD9449	BALL BEARING	1	
3	CH10466	GEAR	1	
4	AM877270	FLYWHEEL	1	
5	M802255	PIN	1	
6	400R	BALL	4	
7	M801045	SHAFT KEY	2	
8	M804355	GEAR	1	BALANCER (SUB M810309)
9	M801053	GEAR	1	CRANKSHAFT (NLA)
10	CH16793	PIN	1	
11	AM881224	CRANKSHAFT	1	(SUB FOR AM878619)
12	M804359	PULLEY	1	
13	M801055	WASHER	1	
14	CH16798	BOLT	1	



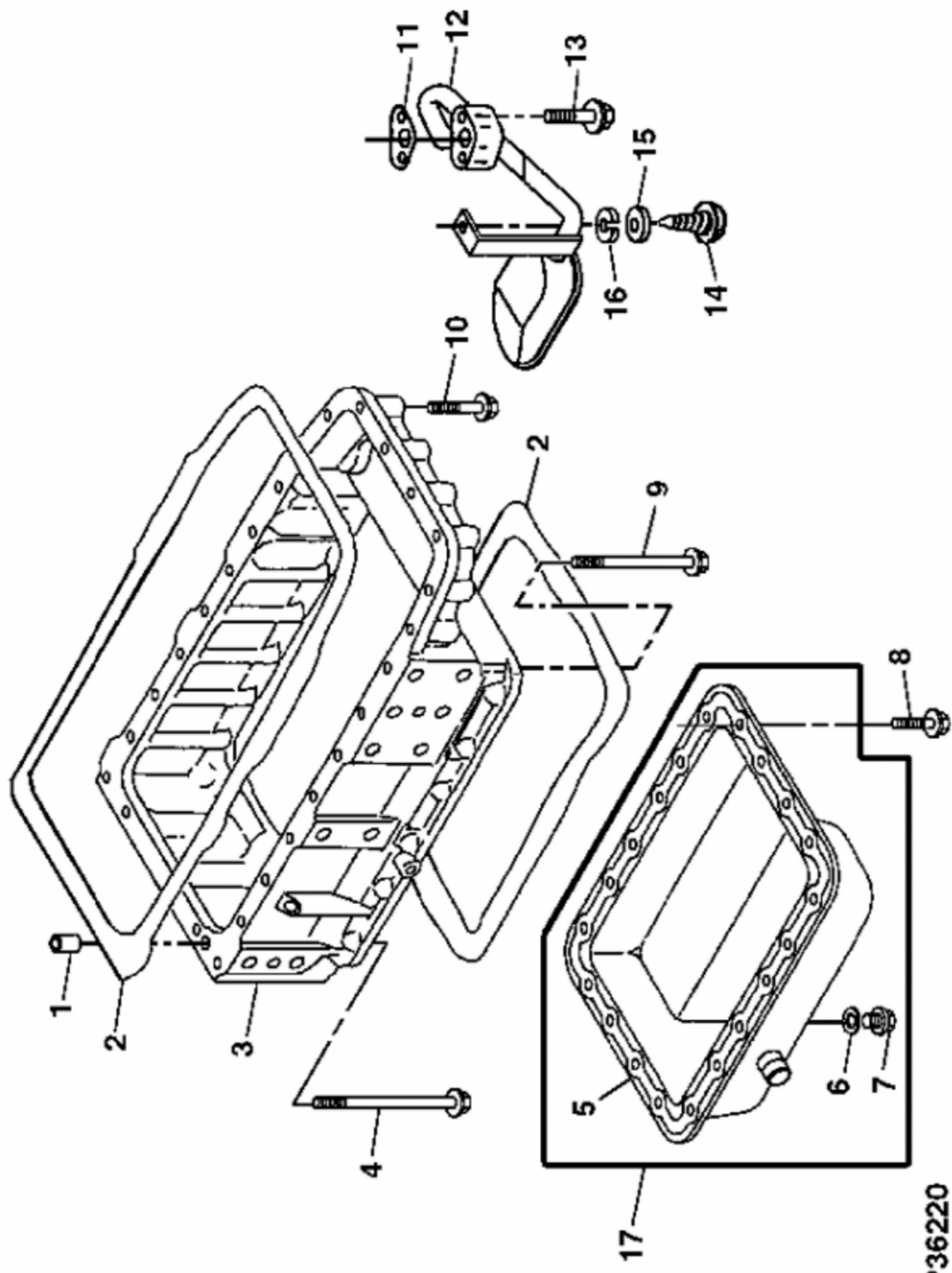
MP33054

KEY	PART NO.	PART NAME	QTY	REMARKS
1	CH19291	BOLT	6	
2	JD9449	BALL BEARING	1	
3	CH10466	GEAR	1	
4	AM877270	FLYWHEEL	1	
5	M802255	PIN	1	
6	400R	BALL	4	
7	M801045	SHAFT KEY	1	
8	M810309	GEAR	1	BALANCER
9	M811053	GEAR	1	CRANKSHAFT
10	CH16793	PIN	1	
11	AM881948	CRANKSHAFT	1	
12	M801045	SHAFT KEY	1	
13	M811322	PULLEY	1	
14	M801055	WASHER	1	
15	CH16798	BOLT	1	



MP31479

KEY	PART NO.	PART NAME	QTY	REMARKS
1	M800011	BOLT	8	
2	M802255	PIN	2	
3	M804335	FLANGE	1	
4	AM875375	CASE	1	
5	M805278	SEAL	1	
6	19M7868	BOLT	9	
7	M64850	LIQUID GASKET	1	



MP36220

KEY	PART NO.	PART NAME	QTY	REMARKS
1	T110645	PIPE PLUG	1	
2	M64850	LIQUID GASKET	1	
3	M804337	OIL PAN	1	NLA, (ENGINE MARKED 4TNE84)
3	M808639	OIL PAN	1	(ENGINE MARKED 4TNV84)
4	T111562	BOLT	4	
5	M810314	COVER	1	(SUB FOR M804338) (SUB AM881955)
6	M806433	WASHER	1	
7	T111565	PLUG	1	
8	19M7864	BOLT	20	
9	CH19093	BOLT	14	
10	19M7800	BOLT	8	
11	M811792	GASKET	1	(SUB FOR M805829)
12	AM877278	STRAINER	1	
13	19M7897	BOLT	2	
14	19M7162	CAP SCREW	1	M8 X 16
15	24M7055	WASHER	1	8.400 X 16 X 1.600 mm
16	12M7065	LOCK WASHER	1	8 mm
17	AM881955	OIL PAN	1	

Please write to us.

Our email:

aservicemanualpdf@yahoo.com

**Please go to the homepage
to get the full manual, or
other brand PDF manuals.**

Home Site:

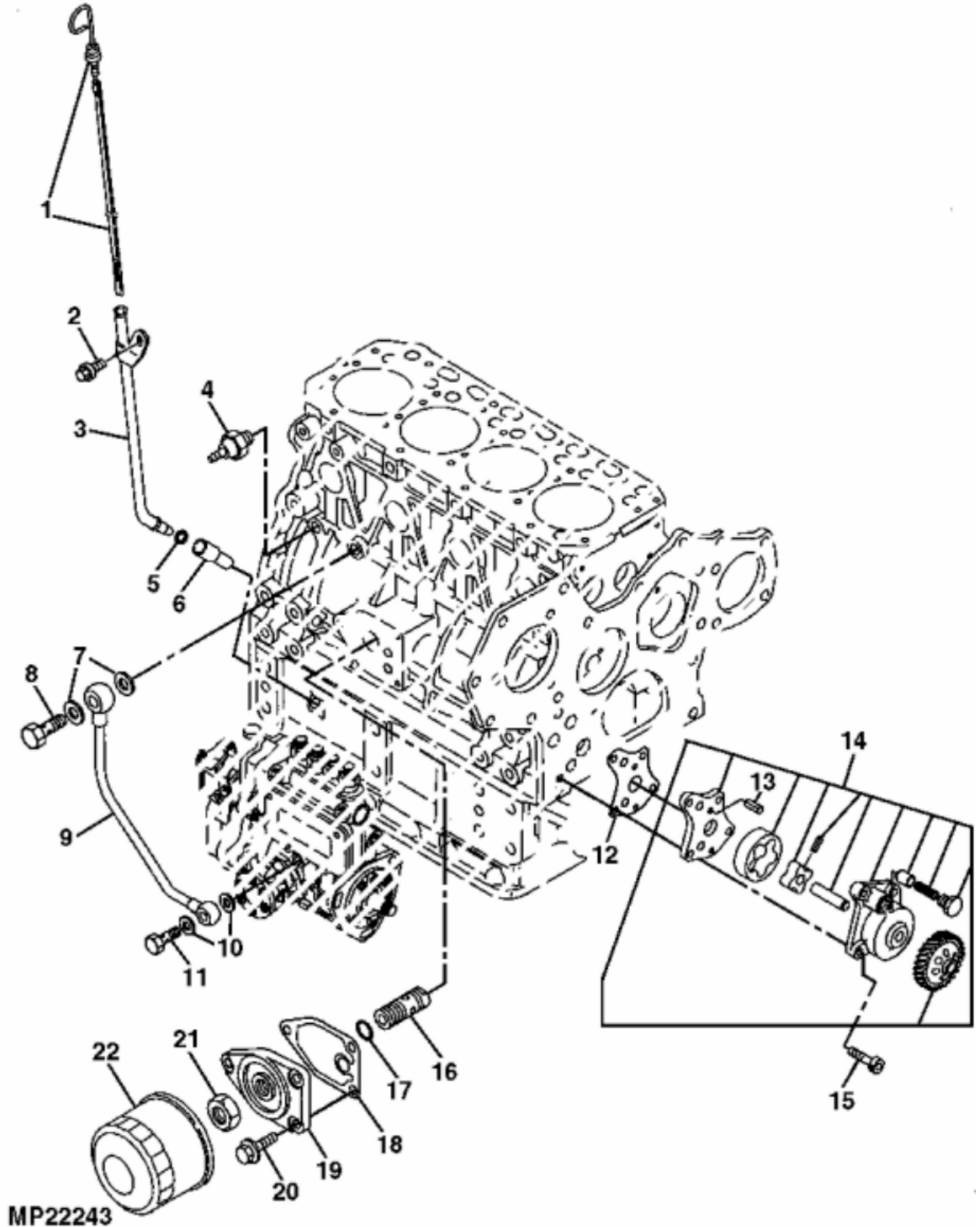
aservicemanualpdf.com

Thank you very much for your reading. Please Click Here. Then Get COMPLETE MANUAL. NO WAITING



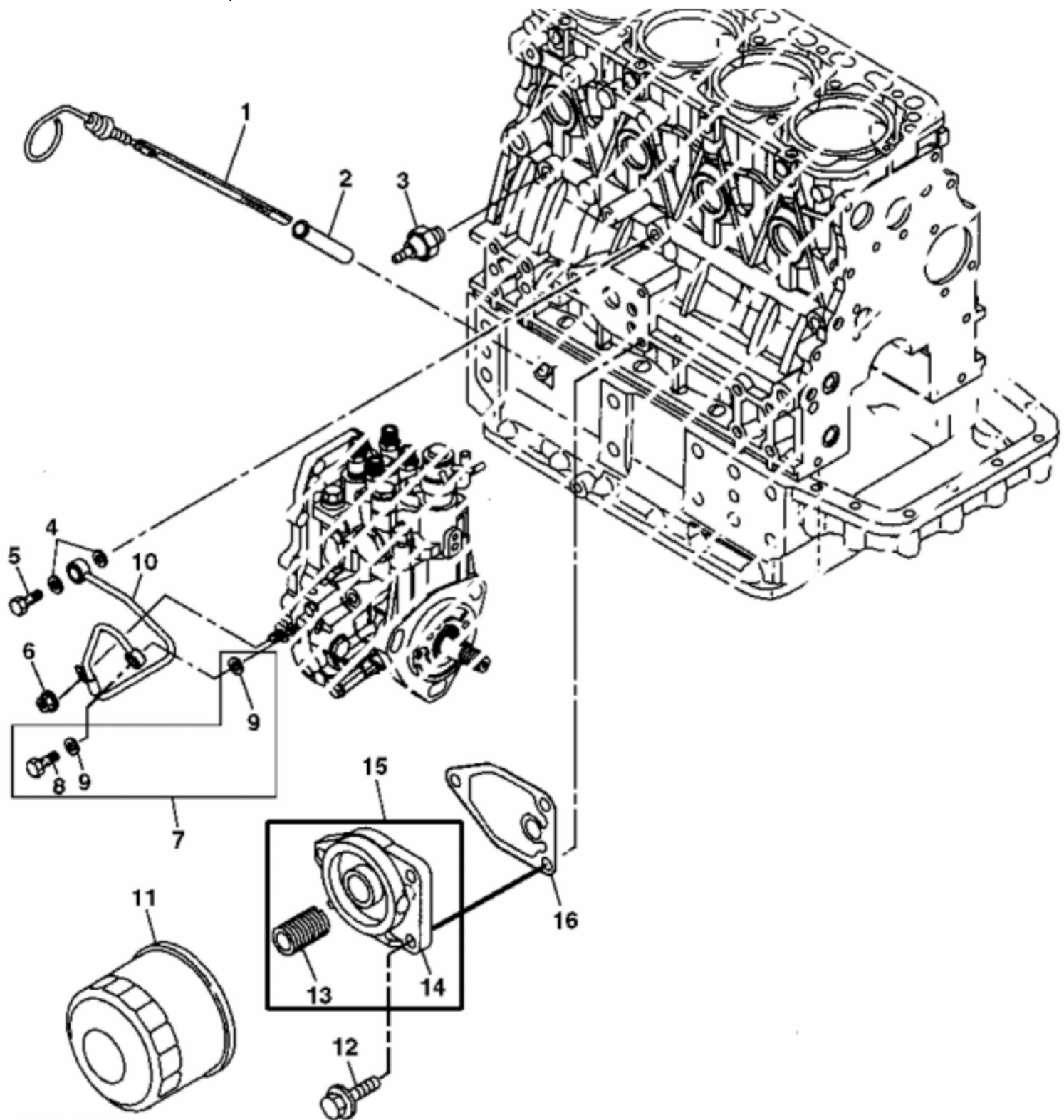
NOTE:

If there is no response to click on the link above, please download the PDF document first and then click on it.



MP22243

KEY	PART NO.	PART NAME	QTY	REMARKS
1	M801732	DIPSTICK	1	
2	19M7864	SCREW	1	M8 X 12
3	M804373	DIPSTICK TUBE	1	
4	M809526	SWITCH	1	OIL PRESSURE
5	CH10571	PACKING	1	
6	M89143	GUIDE	1	
7	M806437	WASHER	2	
8	CH10361	BOLT	1	
9	AM875396	PIPE	1	
10	M803523	WASHER	2	
11	CH15501	BOLT	1	
12	M801005	GASKET	1	
13	CH10539	SPRING PIN	2	
14	AM878891	OIL PUMP	1	
15	M800676	BOLT	1	
16	AM880983	VALVE	1	(SUB FOR M806738 AND AM875306)
17	CH10570	O-RING	1	
18	M805830	GASKET	1	
19	M801000	BRACKET	1	
20	19M7866	BOLT	3	
21	M89148	NIUT	1	
22	M806419	OIL FILTER	1	(SUB FOR M801209)



MP33046