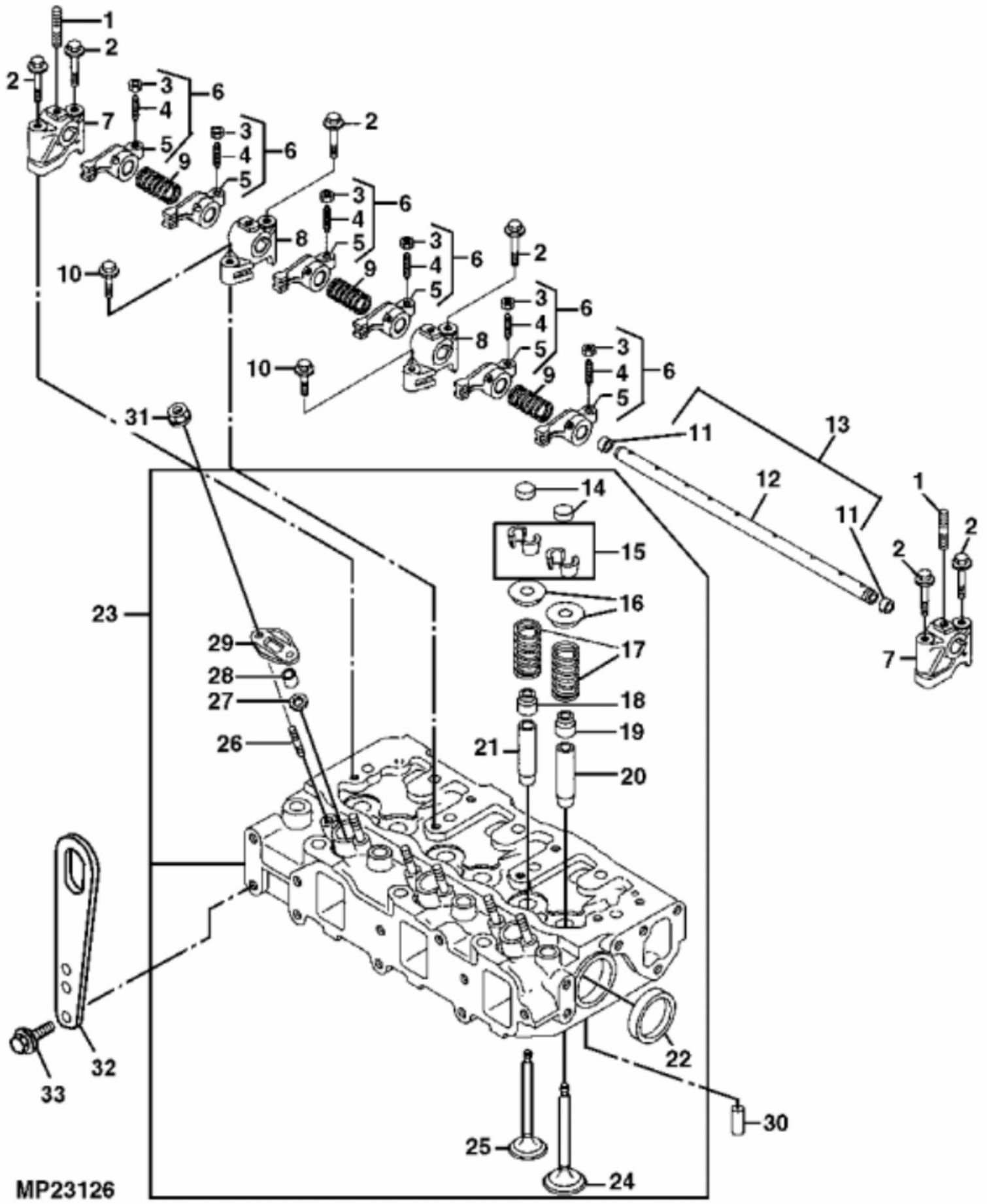


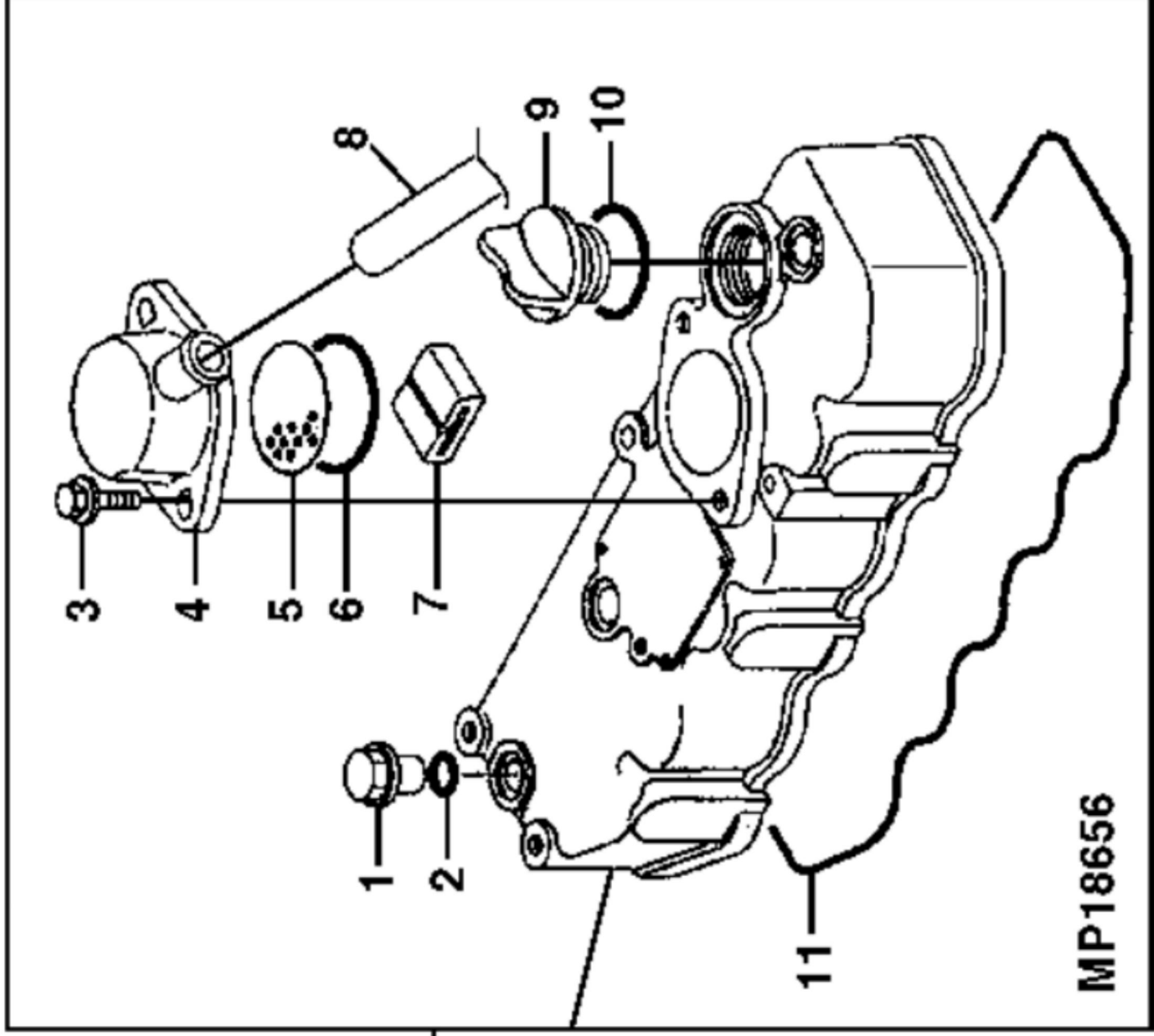
MP20463

KEY	PART NO.	PART NAME	QTY	REMARKS
1	M801186	BOLT	14	
2	M806440	ENGINE CYLINDER HEAD GASKET	1	
3	AM878597	CYLINDER BLOCK	1	
4	CH10335	PLUG	3	
5	PT13744	PLUG	1	
6	M802255	PIN	4	
7	M806840	PLUG	1	(SUB FOR M800973)
8	CH18079	SPRING PIN	2	
9	30M7023	PLUG	6	
10	15H562	PIPE PLUG	1	1"
11	M800977	BUSHING	1	CAMSHAFT
12	M800978	SHAFT	1	IDLER
13	CH19101	BOLT	2	
14	M87801	PLUG	2	
15	M800974	PIPE	2	
16	MIA880555	BEARING	2	THRUST, (SUB FOR AM875373)
17	AM875371	BEARING KIT	4	MAIN, STD
17	MIA880550	BEARING	4	.25MM (.010") US, MAIN (SUB FOR AM875374)
18	BEARING CAP	3	
19	M801189	BOLT	8	
20	BEARING CAP	1	
..	AM880675	SHORT BLOCK ASSEMBLY	1	EPA



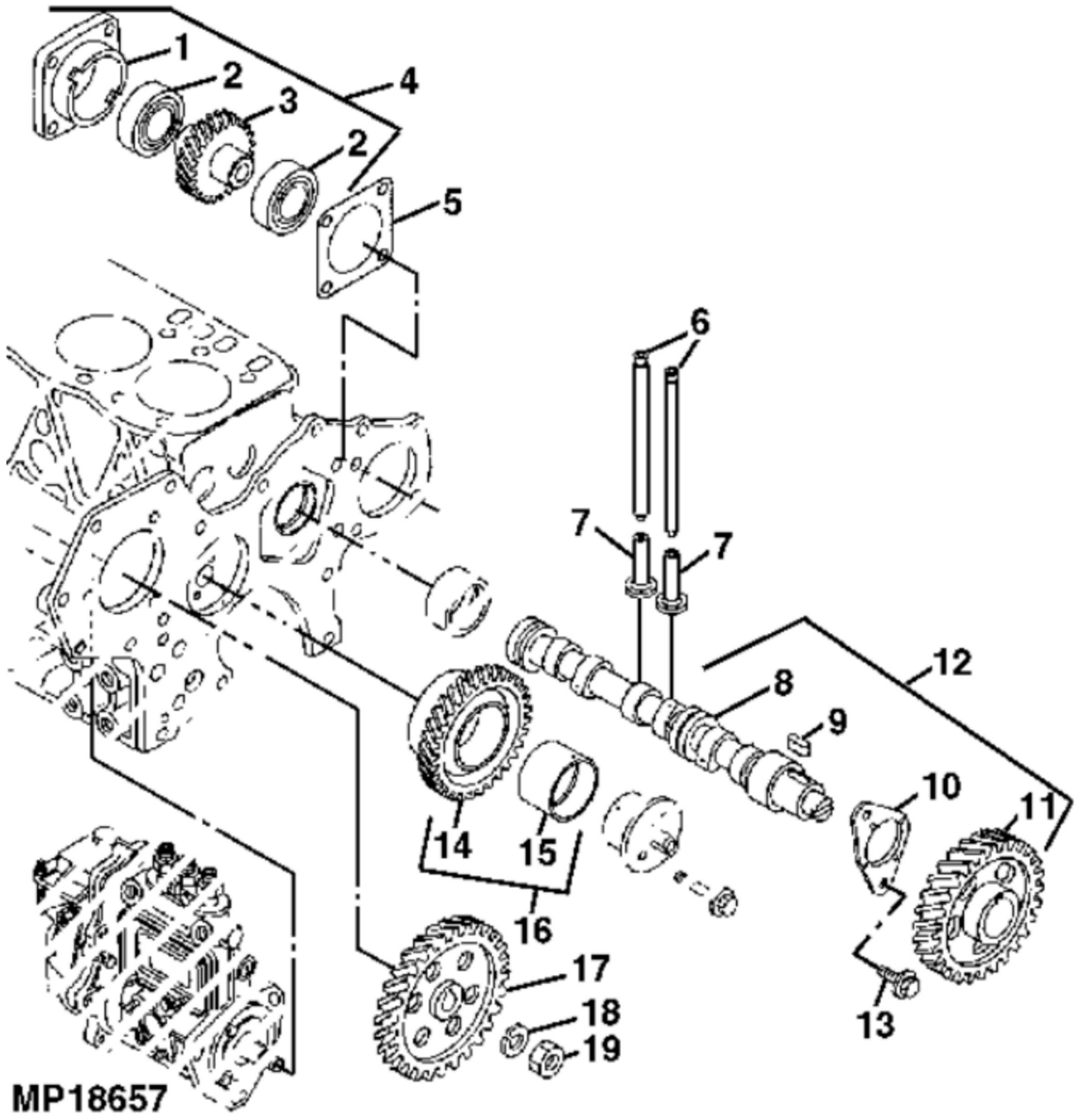
MP23126

KEY	PART NO.	PART NAME	QTY	REMARKS
1	M801024	STUD	3	
2	19M7800	SCREW	6	M8 X 50
3	M801028	NUT	1	
4	M801027	SCREW	1	
5	ROCKER ARM	1	
6	AM875383	ROCKER ARM	6	
7	M801022	SUPPORT	2	ROCKER ARM
8	M801023	SUPPORT	2	ROCKER ARM
9	M801025	SPRING	3	
10	19M7867	SCREW	2	M8 X 25
11	M800002	PLUG	2	
12	ROCKER ARM SHAFT	1	
13	AM875534	SHAFT	1	SUPPORT
14	M801224	CAP	6	
15	AM878862	RETAINER KIT	6	(2 PER PKG), VALVE RETAINER
16	M801223	RETAINER	6	SPRING
17	M801222	SPRING	6	VALVE
18	T110650	SEAL	3	EXHAUST VALVE
19	CH10450	SEAL	3	INTAKE VALVE
20	M801227	GUIDE	3	INTAKE VALVE
21	M801228	GUIDE	3	EXHAUST VALVE
22	CH16751	PLUG	2	
23	AM878547	CYLINDER HEAD	1	
24	M801220	INTAKE VALVE	3	
25	M801221	EXHAUST VALVE	3	
26	M801219	BOLT	6	
27	M801017	VALVE SEAT	3	
28	M801016	GUARD	3	(SUB FOR M810460)
29	M801018	RETAINER	3	
30	CH18079	SPRING PIN	2	
31	14M7303	FLANGE NUT	6	M6
32	AT211695	LIFT ARM	2	
33	19M7865	BOLT	4	

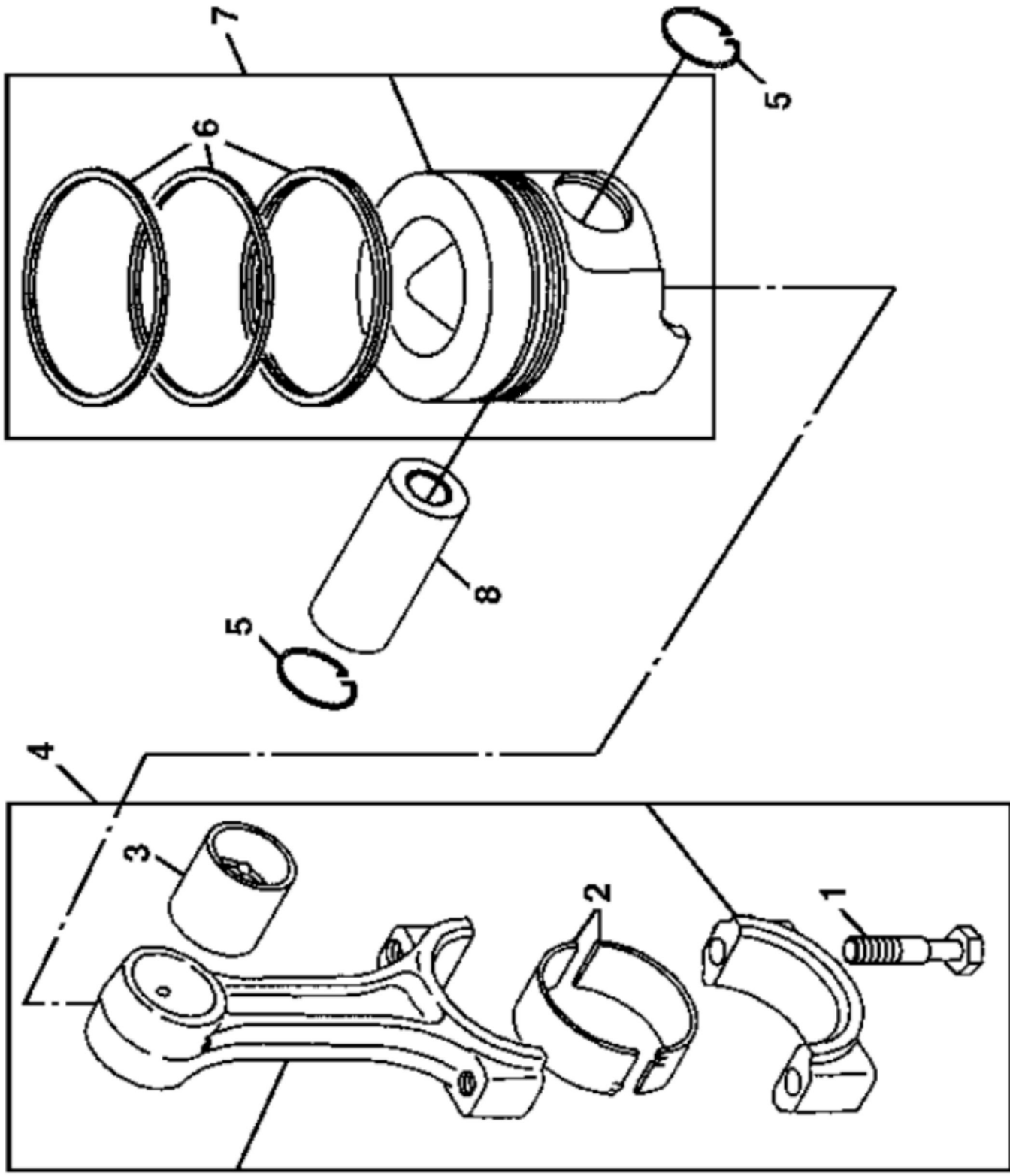


MP18656

KEY	PART NO.	PART NAME	QTY	REMARKS
1	CH10348	NUT	3	
2	CH10568	PACKING	3	
3	19M7865	SCREW	2	M8 X 16
4	M801031	CAP	1	
5	M801033	PLATE	1	
6	M801034	O-RING	1	
7	M801032	DEFLECTOR	1	
8	M801037	HOSE	1	BREATHER
9	M805710	CAP	1	
10	M805711	PACKING	1	
11	M801741	PACKING	1	
12	AT110858	VALVE COVER	1	

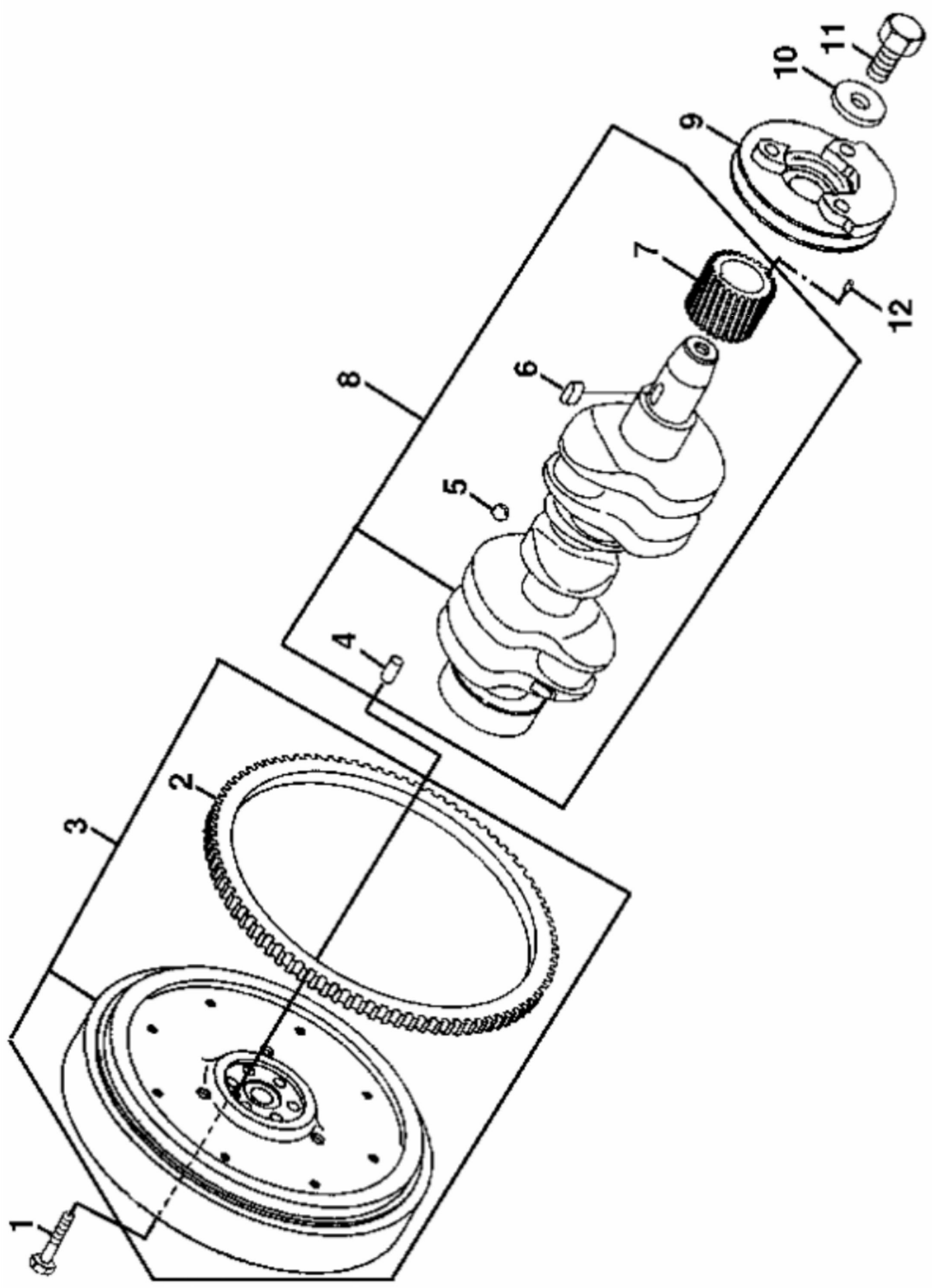


KEY	PART NO.	PART NAME	QTY	REMARKS
1	M802618	BRACKET	1	
2	CH13505	BALL BEARING	2	
3	GEAR	1	
4	AM876339	GEAR	1	HO PUMP
5	M805840	GASKET	1	
6	M801238	PUSH ROD	6	
7	M801046	CAM FOLLOWER	6	
8	CAMSHAFT	1	
9	M801045	SHAFT KEY	1	
10	THRUST BEARING	1	
11	GEAR	1	
12	AM876430	CAMSHAFT	1	
13	CH19780	BOLT	2	
14	GEAR	1	IDLE
15	M801050	BUSHING	1	
16	AM875315	GEAR	1	
17	M801239	GEAR	1	FUEL INJECTION PUMP
18	12M7067	LOCK WASHER	1	12 mm
19	14M7275	NIUT	1	M12



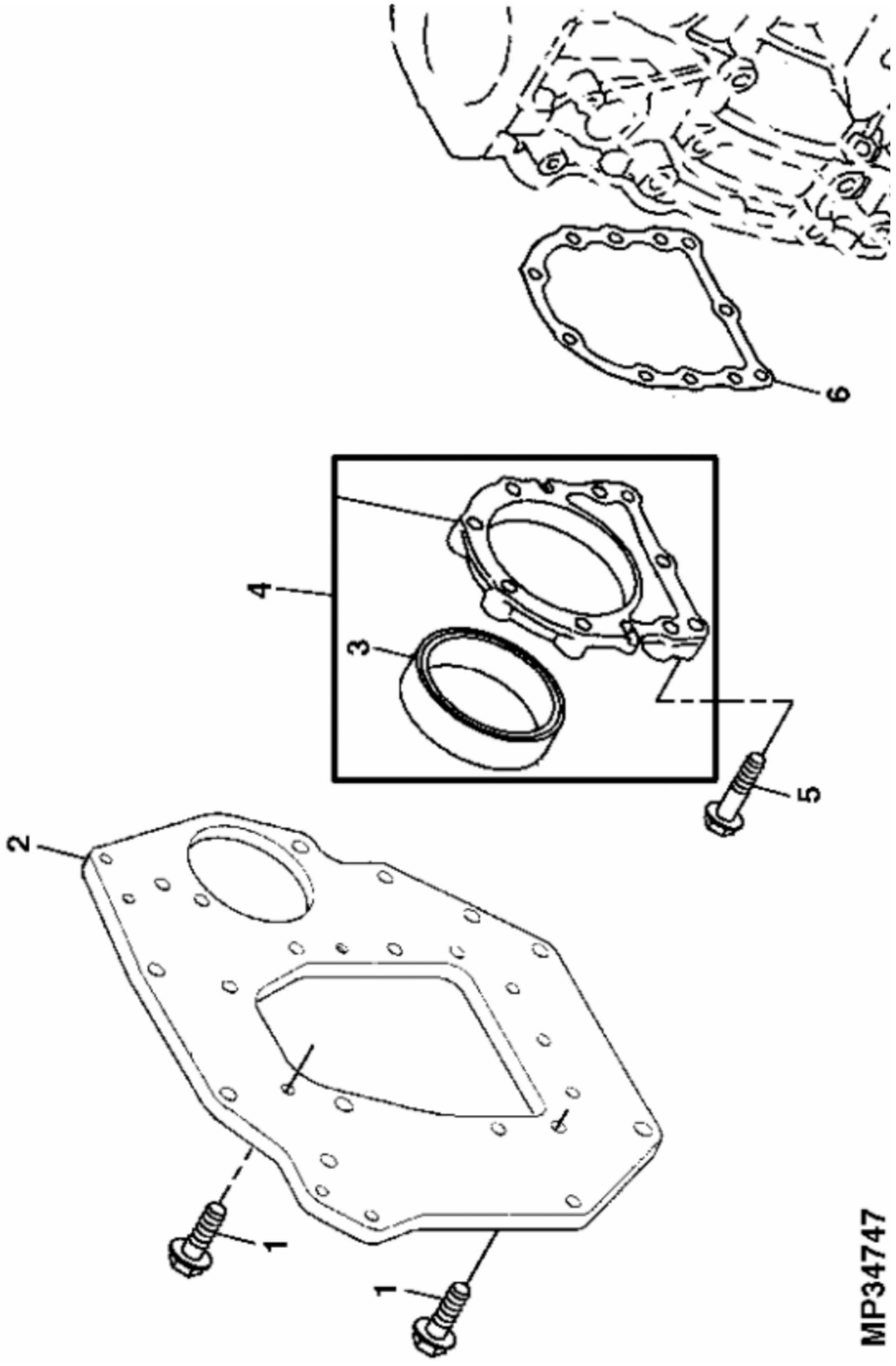
MP18666

KEY	PART NO.	PART NAME	QTY	REMARKS
1	CH15483	BOLT	2	
2	M1A880563	BEARING	1	STD, (SUB FOR AM875392)
2	M1A880568	BEARING	1	.25 MM (.010") US, (SUB FOR AM875395)
3	M801256	BEARING	1	
4	AM875391	CONNECTING ROD	3	
5	M806457	CLIP	6	
6	AM878555	PISTON RING KIT	1	STD
6	AM878599	PISTON RING KIT	1	.25 MM (.010") OS
7	AM878606	PISTON	3	STD
7	AM878598	PISTON	3	.25 MM (.010") OS
8	M806456	PISTON PIN	3	



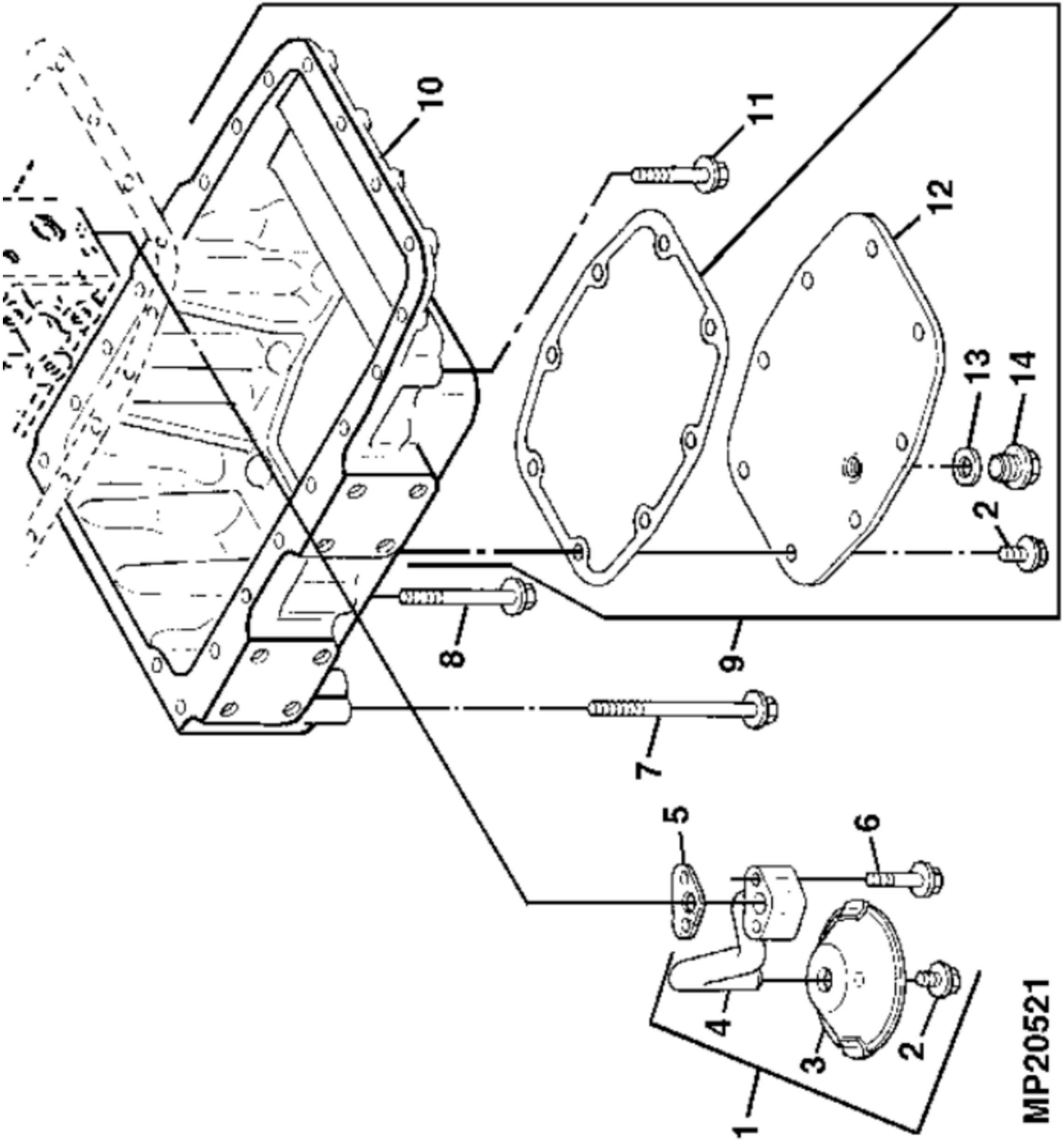
MP18678

KEY	PART NO.	PART NAME	QTY	REMARKS
1	CH19291	BOLT	6	
2	GEAR	1	
3	AM876337	FLYWHEEL	1	(SINGLE CLUTCH)
3	AM876336	FLYWHEEL	1	(DUAL CLUTCH)
3	CH10408	BUSHING	1	
4	M802255	PIN	1	
5	400R	BALL	3	6.350 mm
6	M801045	SHAFT KEY	1	
7	M801053	GEAR	1	(NILA)
8	AM880894	CRANKSHAFT	1	(SUB FOR AM878552)
9	M808647	PULLEY	1	CRANKSHAFT
10	M801055	WASHER	1	
11	CH16798	BOLT	1	
12	CH12293	PIN	1	



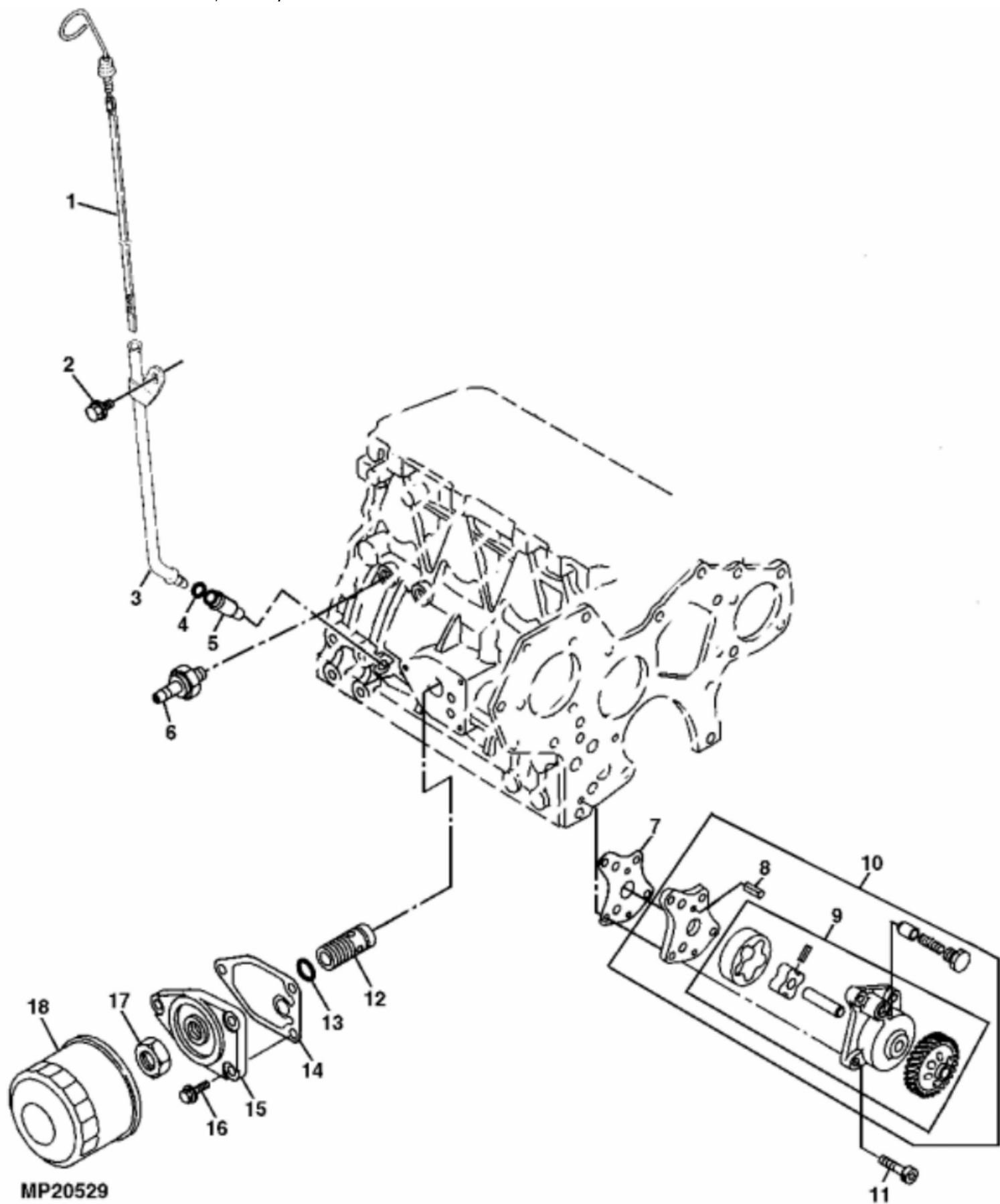
MP34747

KEY	PART NO.	PART NAME	QTY	REMARKS
1	M800011	BOLT	8	M10 X 20
2	M802598	FLANGE	1	
3	M805278	SEAL	1	
4	AM875375	CASE	1	MOUNTING
5	19M7868	BOLT	9	
6	M64850	SEALANT	AR	



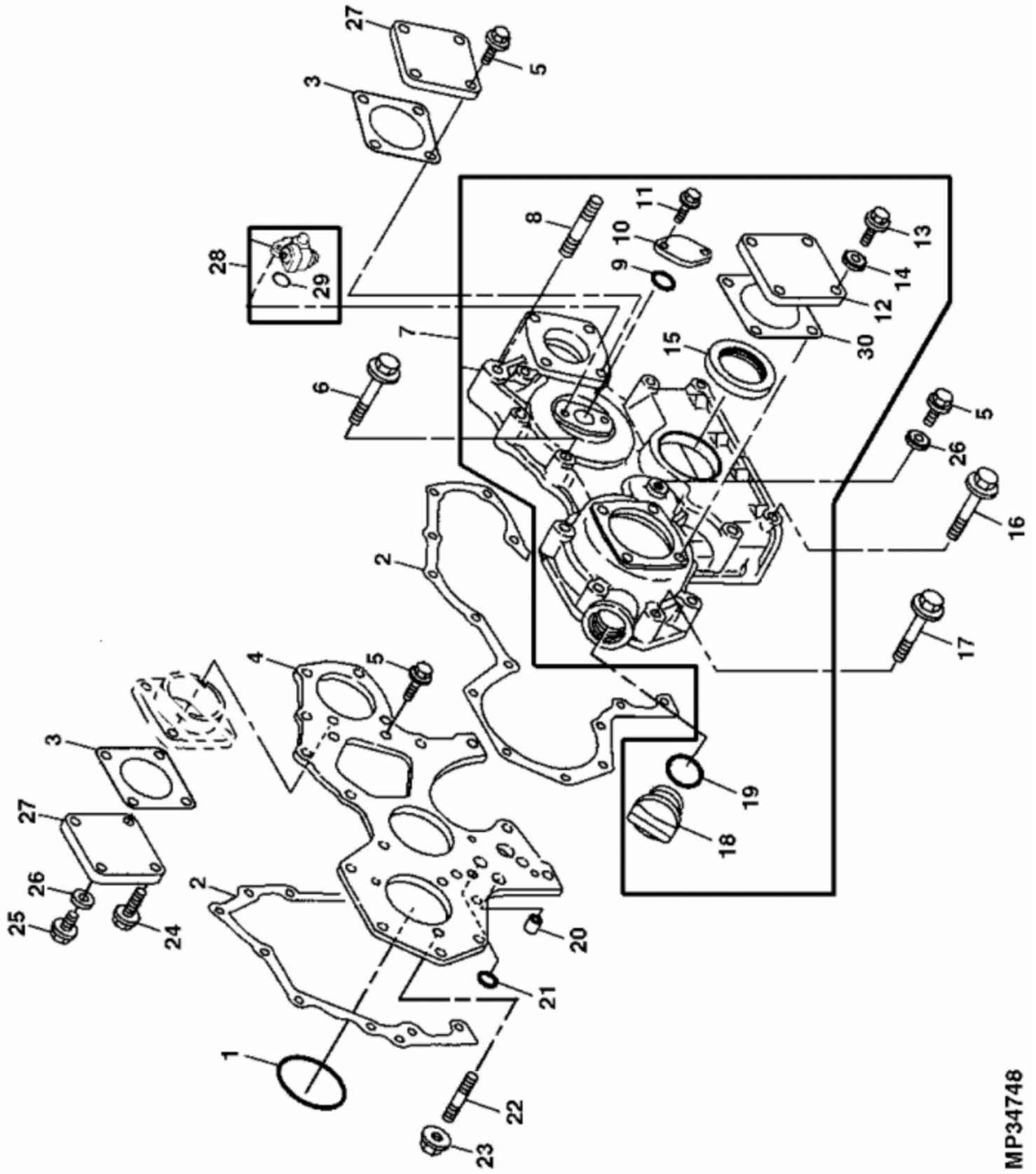
MP20521

KEY	PART NO.	PART NAME	QTY	REMARKS
1	AM876340	STRAINER	1	
2	19M7864	SCREW	9	M8 X 12
3	M802622	STRAINER	1	NLA
4	M802623	PIPE	1	
5	M811792	GASKET	1	(SUB FOR M800999 OR M805829)
6	19M7897	SCREW	2	M8 X 35
7	T111562	BOLT	4	
8	CH19136	BOLT	8	
9	AT110856	OIL PAN	1	
10	AM876329	OIL PAN	1	SUB FOR AT110812
11	19M7800	SCREW	4	M8 X 50
12	T111566	COVER	1	
13	M806433	WASHER	1	(SUB FOR CH16727)
14	T111565	PLUG	1	
..	M64850	SEALANT	1	



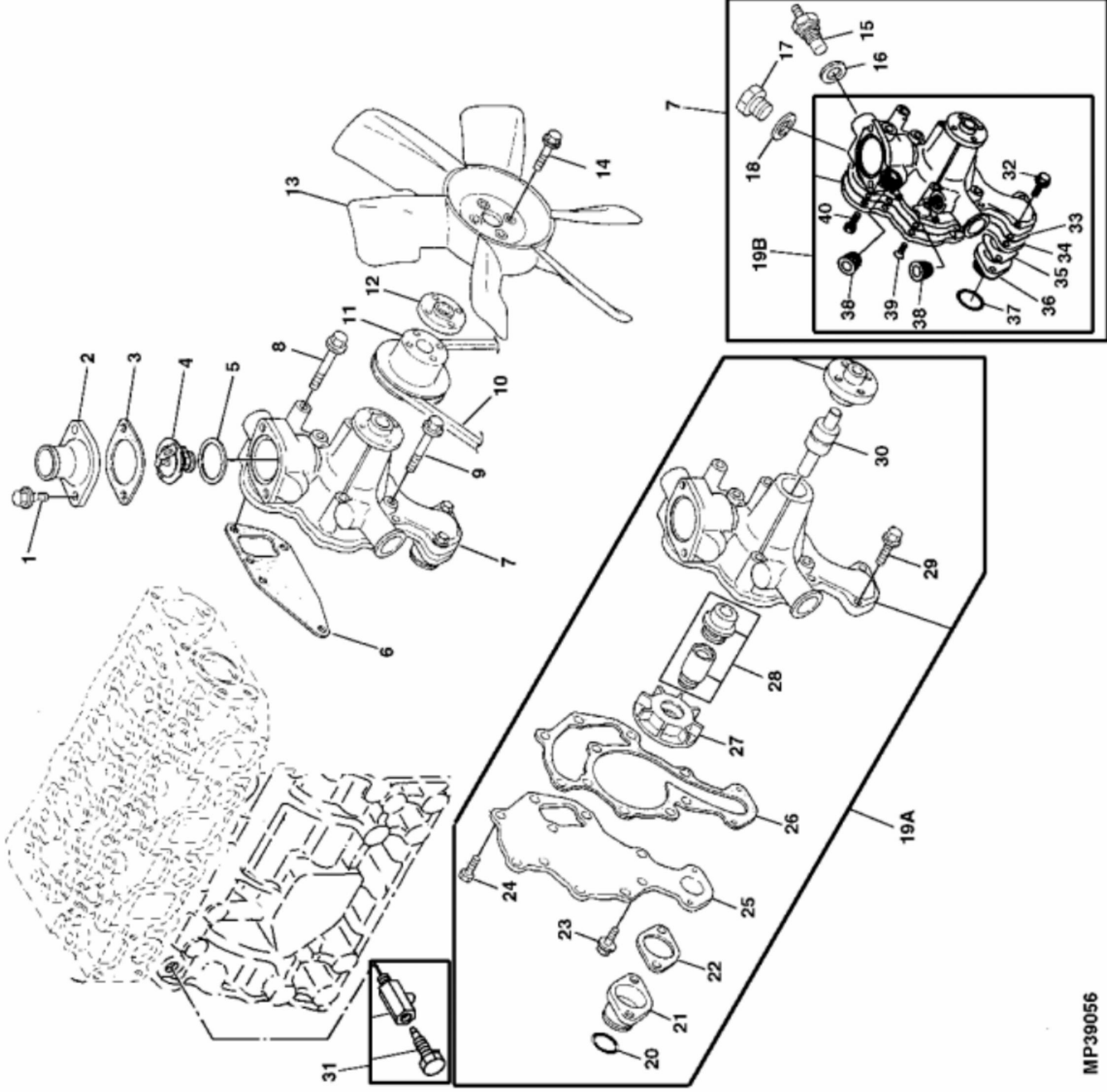
MP20529

KEY	PART NO.	PART NAME	QTY	REMARKS
1	M802621	DIPSTICK	1	
2	19M7864	SCREW	1	M8 X 12
3	M802620	GUIDE	1	
4	CH10571	PACKING	1	
5	M89143	GUIDE	1	
6	M809526	SWITCH	1	(SUB FOR CH15500)
7	M801005	GASKET	1	
8	CH10539	SPRING PIN	2	
9	ROTOR	1	
10	M1A883558	OIL PUMP	1	SUB FOR AM87878
11	M800676	BOLT	4	
12	M806738	BOLT	1	
13	CH10570	O-RING	1	
14	M805830	GASKET	1	
15	M801000	BRACKET	1	
16	19M7866	SCREW	3	M8 X 20
17	M89148	NIUT	1	
18	M806419	OIL FILTER	1	(SUB FOR M801209)



MP34748

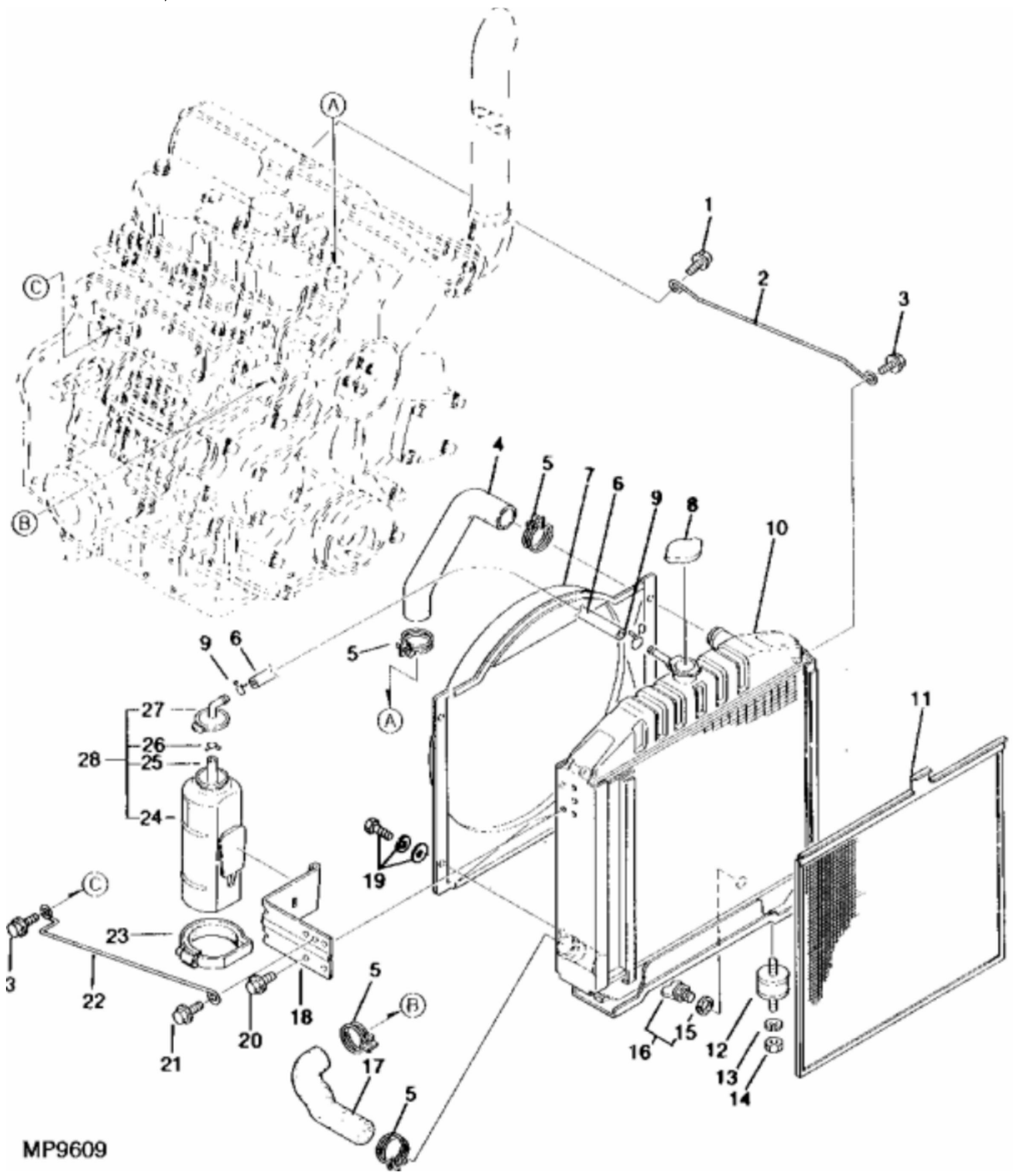
KEY	PART NO.	PART NAME	QTY	REMARKS
1	CH16940	O-RING	1	
2	M64850	SEALANT	AR	.088 L (3-OZ.), TUBE
3	M805696	GASKET	2	
4	M808636	FLANGE	1	
5	19M7865	SCREW	8	M8 X 16
6	19M7979	SCREW	3	M8 X 55
7	AM879915	GEAR CASE	1	
8	M805156	STUD	1	
9	CH13526	PACKING	1	
10	M87874	COVER	1	(SUB MIU800476)
11	M88089	BOLT	2	M6 X 18
12	CH18096	COVER	1	
13	19M7864	SCREW	4	M8 X 12
14	M803523	SEALING WASHER	4	
15	M800988	SEAL	1	
16	CH19136	BOLT	4	
17	CH19101	BOLT	6	
18	M805710	CAP	1	
19	M805711	PACKING	1	
20	M800974	DOWEL PIN	2	
21	CH10570	O-RING	2	
22	CH15722	STUD	3	
23	14M7298	FLANGE NUT	3	M8
24	19M7868	BOLT	3	
25	19M7866	BOLT	1	
26	M803523	SEALING WASHER	2	
27	CH18096	COVER	2	
28	AM875580	TACHOMETER	1	
29	CH13526	PACKING	1	
30	M805696	GASKET	1	



MP39056

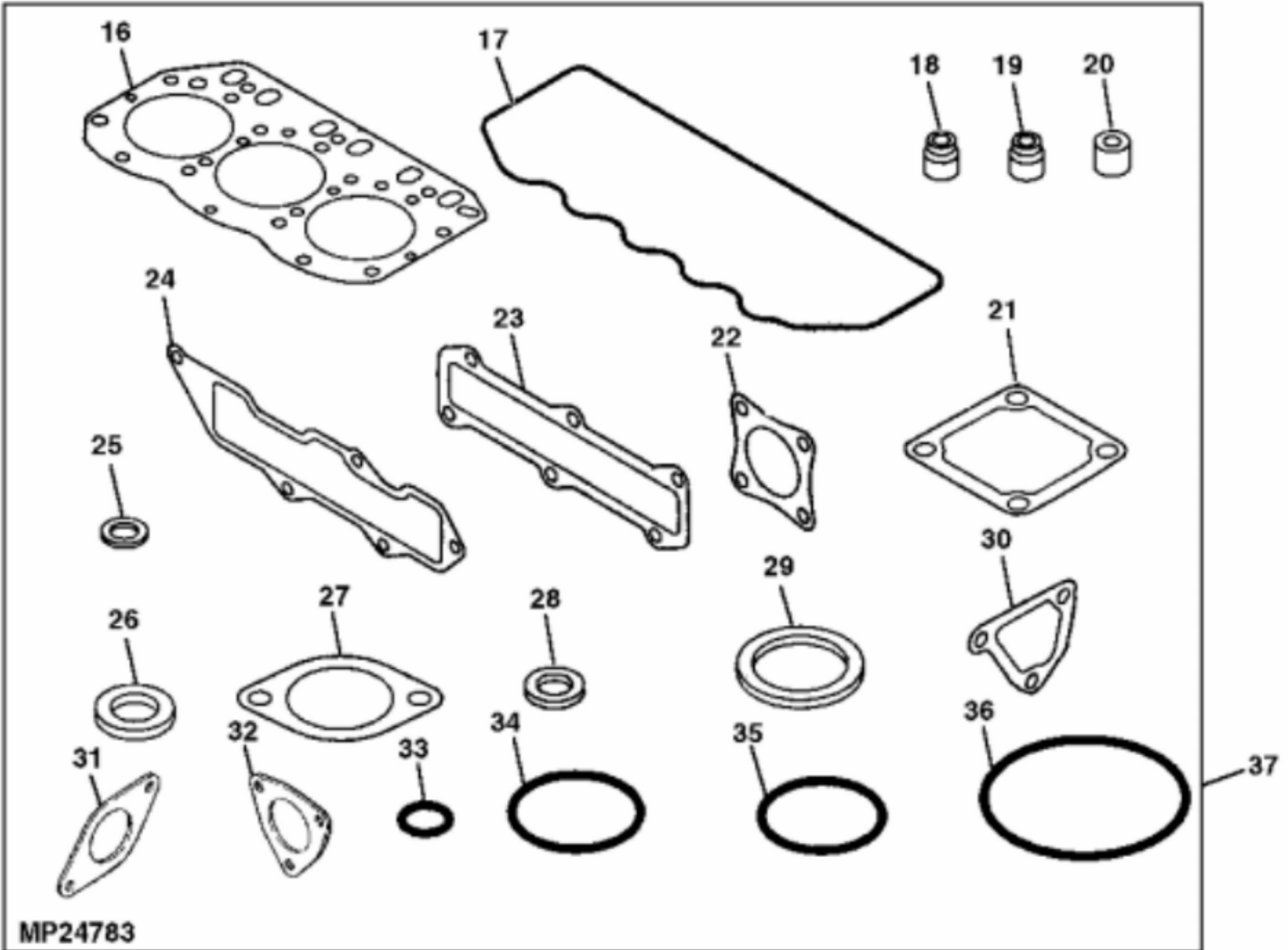
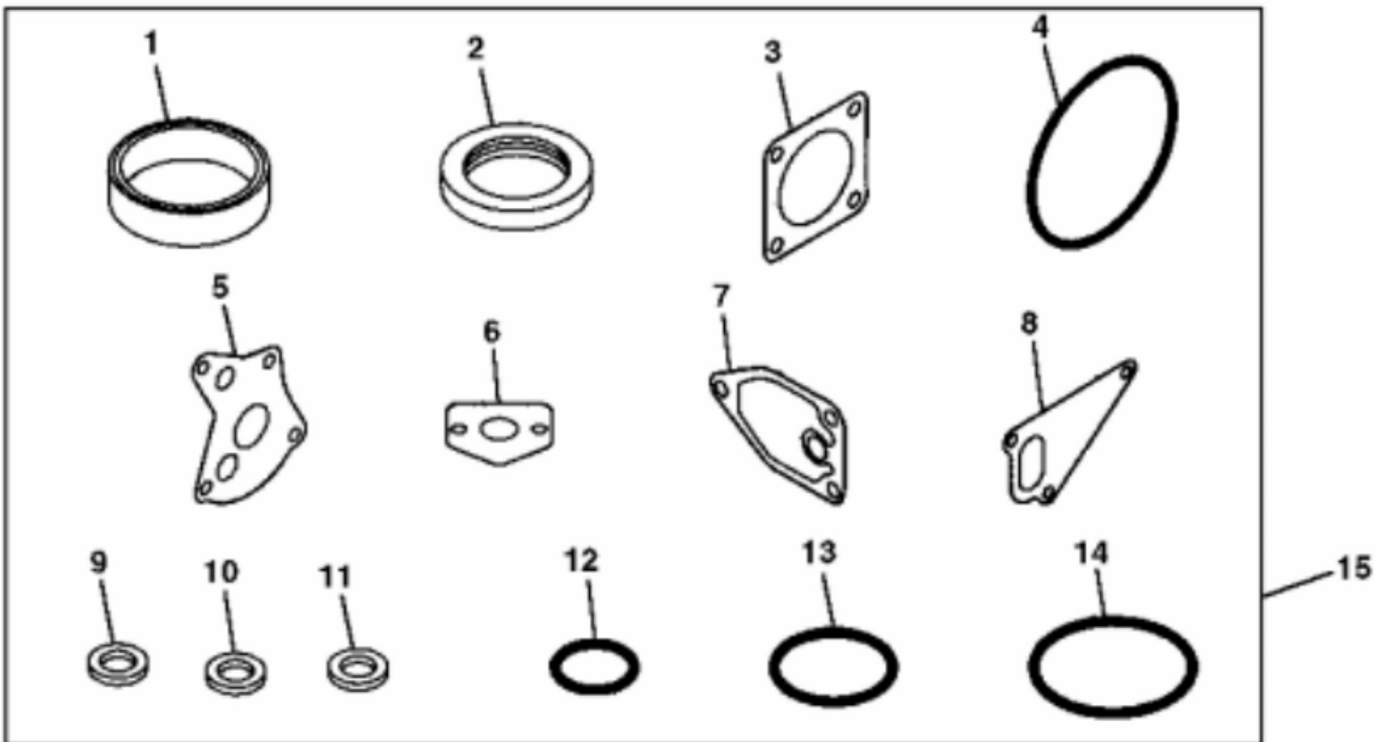
KEY	PART NO.	PART NAME	QTY	REMARKS
1	19M7866	SCREW	2	M8 X 20
2	CH15535	COVER	1	THERMOSTAT
3	M805834	GASKET	1	
4	M801088	THERMOSTAT	1	
5	M805835	GASKET	1	
6	M809668	GASKET	1	WATER PUMP
7	AM878199	PUMP	1	
8	19M7979	SCREW	3	M8 X 55
9	19M7801	SCREW	1	M8 X 60
10	M808685	V-BELT	1	(SUB FOR M802627)
11	M801086	PULLEY	1	
12	M802628	SPACER	1	
13	M800955	FAN	1	340 MM DIAMETER
14	M87871	BOLT	4	
15	T110736	SENSOR	1	COOLANT TEMPERATURE
16	T110737	GASKET	1	
17	M800312	PLUG	1	
18	CH13814	WASHER	1	(COPPER)
19A	AM881340	WATER PUMP	1	(SUB FOR M805843) (SUB MIA880461)
19B	MIA880461	WATER PUMP	1	
20	M810636	O-RING	1	
21	M801758	PIPE	1	(SUB FOR MIU800683)
22	M810824	GASKET	1	(SUB FOR MIU800684)
23	CH19140	BOLT	5	M6 X 14
24	CH10577	BOLT	1	
25	MIU800263	PLATE	1	(SUB FOR M810634)
26	M810823	GASKET	1	(SUB FOR M805841)
27	IMPELLER	1	
28	SEAL	1	
29	19M7862	SCREW	2	M6 X 20, (SUB FOR M87820)
30	BEARING	1	
31	AM100800	DRAIN VALVE	1	
32	19M7862	SCREW	2	M6 X 20, (SUB FOR M87820)
33	M810823	GASKET	1	
34	MIU800236	PLATE	1	

KEY	PART NO.	PART NAME	QTY	REMARKS
35	M810824	GASKET	1	(SUB FOR MIU800684)
36	M801758	PIPE	1	(SUB FOR MIU800683)
37	M810636	O-RING	1	
38	PLUG	2	
39	SCREW	3	
40	19M7560	CAP SCREW	3	M6 X 16



MP9609

KEY	PART NO.	PART NAME	QTY	REMARKS
1	19M7866	SCREW	3	M8 X 20
2	M802632	SUPPORT	1	
3	19M7865	SCREW	2	M8 X 16
4	M802633	HOSE	1	
5	TY22467	CLAMP	4	
6	HOSE	AR	MF M175325
7	M802630	SHROUD	1	
8	M802715	FILLER CAP	1	
9	CH12782	CLAMP	2	
10	M802629	HOUSING	1	
11	M802677	GUARD	1	
12	M802684	ISOLATOR	2	
13	12M7066	LOCK WASHER	2	10 mm
14	14M7274	NUT	2	M10
15	M802679	PACKING	1	
16	AM876409	VALVE	1	
17	M802634	HOSE	1	
18	M802681	BRACKET	1	
19	19M6614	CAP SCREW	4	M6 X 12
19	12M7006	LOCK WASHER	4	6 mm
19	24M7054	WASHER	4	6.400 X 12 X 1.600 mm
20	19M7866	SCREW	1	M8 X 20
21	19M7864	SCREW	1	M8 X 12
22	M802631	SUPPORT	1	
23	CH15945	CLAMP	1	
24	CH15519	TANK	1	EXPANSION
25	HOSE	1	(MAKE FROM CH10551)
26	CH10426	RETAINER	1	
27	CH12896	CAP	1	
28	CH15518	TANK	1	EXPANSION
..	AM876342	RADIATOR	1	



MP24783

Please write to us.

Our email:

aservicemanualpdf@yahoo.com

**Please go to the homepage
to get the full manual, or
other brand PDF manuals.**

Home Site:

aservicemanualpdf.com

Thank you very much for your reading. Please Click Here. Then Get COMPLETE MANUAL. NO WAITING

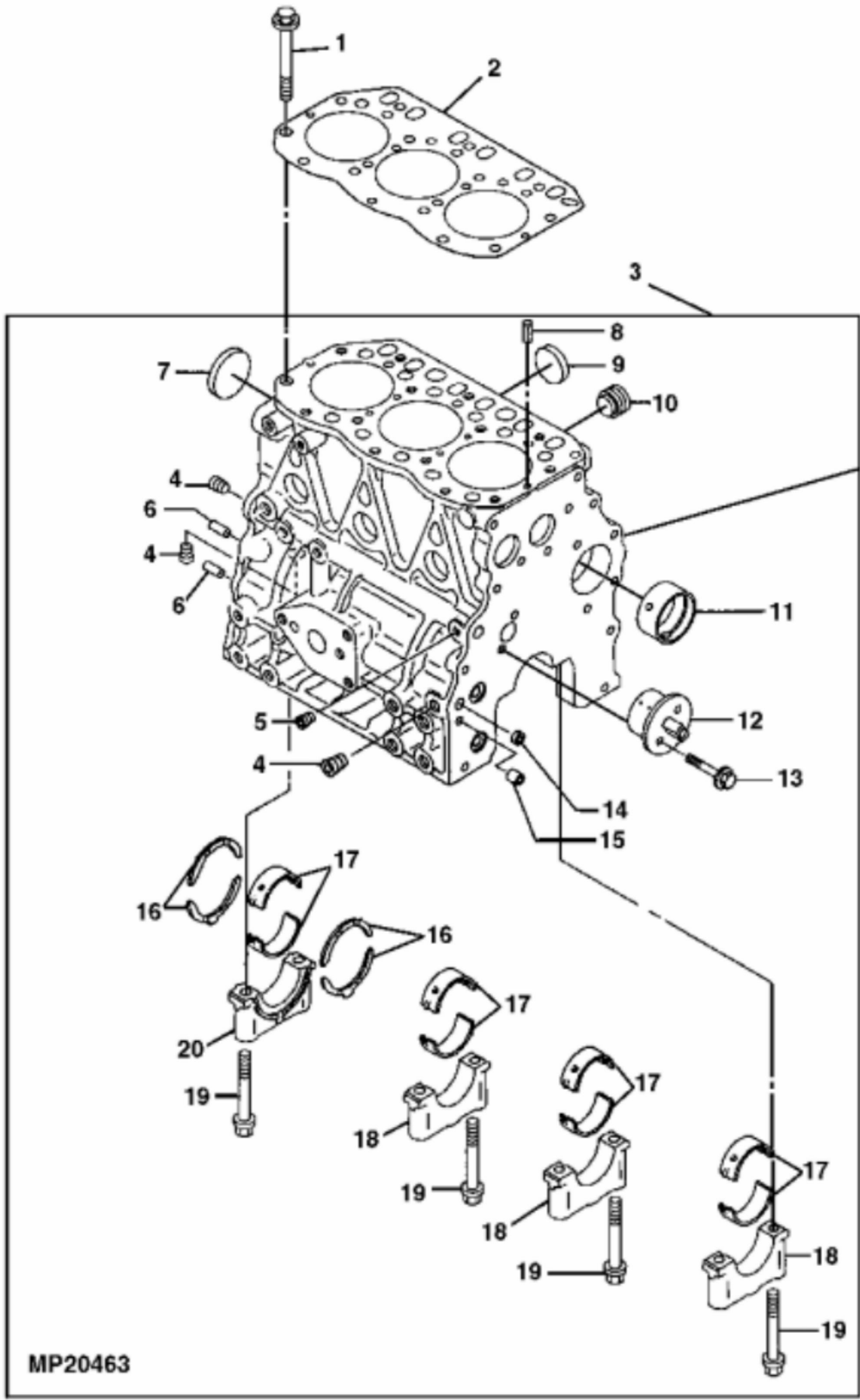


NOTE:

If there is no response to click on the link above, please download the PDF document first and then click on it.

KEY	PART NO.	PART NAME	QTY	REMARKS
1	M805278	SEAL	1	ENGINE BLOCK
2	M800988	SEAL	1	
3	M805696	GASKET	1	
4	CH16940	O-RING	1	
5	M801005	GASKET	1	OIL PUMP
6	M811792	GASKET	1	STRAINER, (SUB FOR M805829)
7	M805830	GASKET	1	
8	M809668	GASKET	1	WATER PUMP, (SUB FOR M801084)
9	M803523	WASHER	5	
10	CH10554	PACKING	1	
11	CH10555	WASHER	2	
12	CH10570	O-RING	3	
13	CH11564	PACKING	2	
14	M805711	PACKING	1	
15	AM878603	GASKET KIT	1	ENGINE BLOCK
16	M806440	ENGINE CYLINDER HEAD GASKET	1	
17	M801741	PACKING	1	
18	T110650	SEAL	3	VALVE, EXHAUST
19	CH10450	SEAL	3	
20	M801016	SEAL	3	
21	M805836	GASKET	1	AIR HEATER
22	RG60076	GASKET	1	MUFFLER
23	M801746	GASKET	1	EXHAUST MANIFOLD
24	M805833	GASKET	1	INTAKE MANIFOLD
25	M801017	VALVE SEAT	1	
26	CH13814	WASHER	1	
27	M805834	GASKET	1	UPPER
28	CH10085	PACKING	2	
29	M805835	GASKET	1	LOWER
30	M801271	GASKET	1	CASE
31	M802662	GASKET	1	SILENCER
32	M802664	GASKET	1	EXTENSION
33	CH10568	PACKING	3	
34	M805711	PACKING	1	P32
35	M804492	O-RING	1	G30

KEY	PART NO.	PART NAME	QTY	REMARKS
36	M801034	O-RING	1	
37	AM880246	GASKET KIT	1	



MP20463