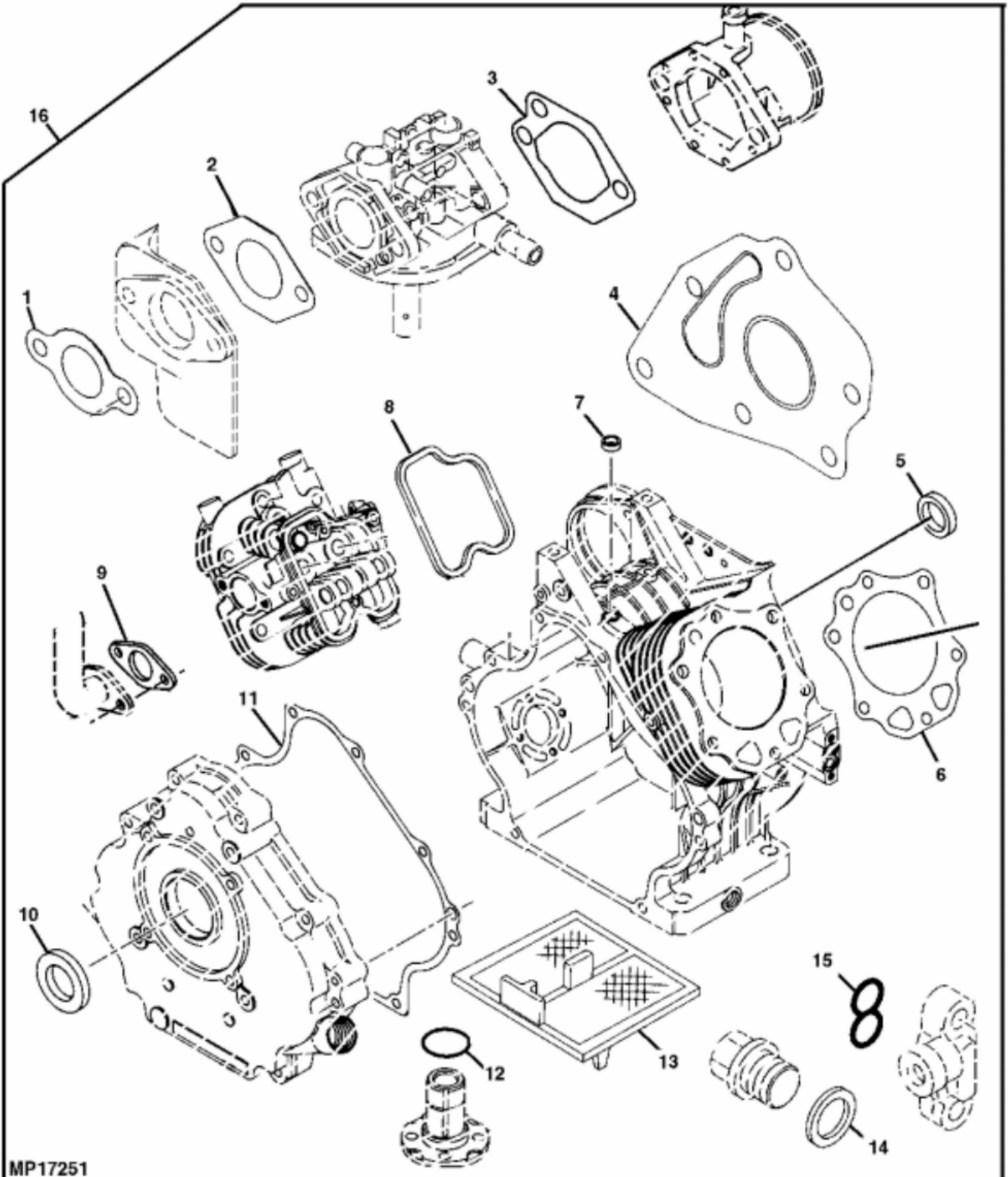


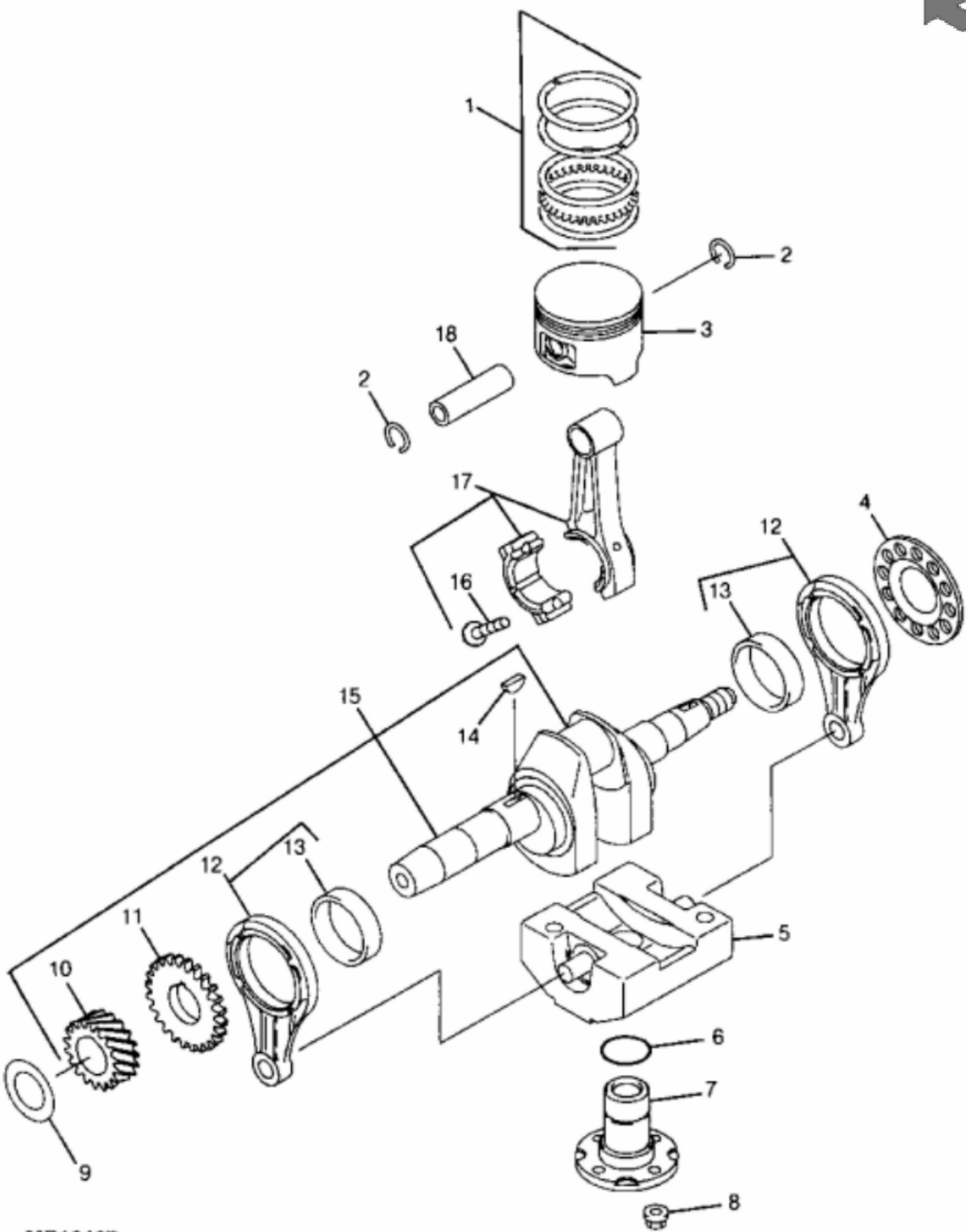
MP28404

KEY	PART NO.	PART NAME	QTY	Serial No.	REMARKS
1	19M8318	SCREW	6		M8 X 45
2	M73817	VALVE	1		
3	W40494	PLATE	1		
4	M95848	SCREW	2		
5	M96547	GUIDE	2		(SUB FOR W40420)
6	M70010	SNAP RING	2		
7	AM119991	CYLINDER HEAD	1		(SUB FOR AM119005)
8A	M127231	TUBE	1		ORDER VG11450; Air Intake
8B	VG11450	TUBE	1		Air Intake
9	W40491	GASKET	1		
10	W40493	CASE	1		
11	W40499	O-RING	2		
12	19M8290	SCREW	2		M6 X 35
13	W40495	ISOLATOR	1		
14	M88987	SEAL	1		
15	M70227	PIN	1		
16	M97289	SEAL	1		(SUB FOR M113572)
17	M131989	GASKET	1		(SUB FOR M119138)
18	14M7396	LOCK NUT	4		M8
19	19M7798	SCREW	4		M8 X 40
20	M119141	CRANKCASE	1		
21	M74252	PIN	2		
22	M119139	GASKET	1		
23	PT18249	SEAL	1		(SUB FOR M119142)
24	M120220	COVER	1		(SUB FOR M119140)
25	W40497	BALL BEARING	1		
26	M88447	STUD	4		
27	19M8318	SCREW	8		M8 X 45
28	M68144	STUD	2	288339-_____	NLA; ORDER MIU11949
29	W40439	PLUG	1		
30	HOSE	1		(SUB VG11450)
..	AM116850	GASOLINE ENGINE	1		(REPLACEMENT ENGINE REQUIRES M127231 AIR RESTRICTOR INSTALLED IN) (MARKED FE290D-AS08) (ORDER AM119621)

KEY	PART NO.	PART NAME	QTY	Serial No.	REMARKS
..	AM122739	GASOLINE ENGINE	1	____-245037	(REPLACEMENT ENGINE REQUIRES M127231 AIR RESTRICTOR INSTALLED IN) (MARKED FE290D-BS08) (ORDER AM119621)
..	AM124068	GASOLINE ENGINE	1	245038-492409	(MARKED FE290D-CS08) (ORDER AM119621)
..	AM131241	GASOLINE ENGINE	1	492479-____	(MARKED FE290D-DS08) (ORDER AM119621)
..	MIA10769	GASOLINE ENGINE	1		(MARKED FE290D-ES08) (SUB MIA10771) (ALSO ORDER 19M8006 AND 24M7238)
..	MIA10771	GASOLINE ENGINE	1		(MARKED FE290D-CS26) (SUB MIA11385)
..	MIA11385	GASOLINE ENGINE	1		(MARKED FE290D-DS26)
..	AM119621	SHORT BLOCK ASSEMBLY	1		

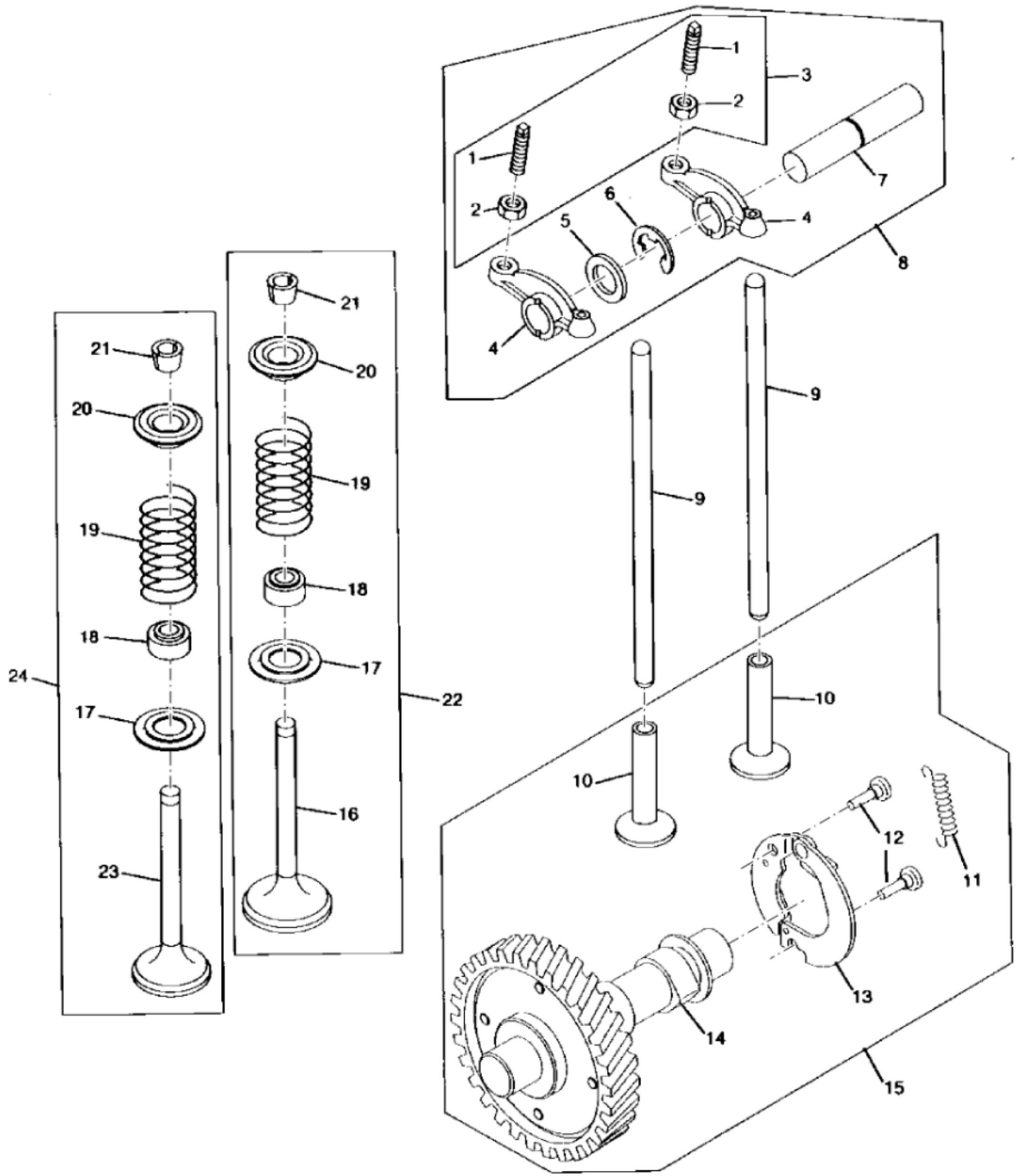


KEY	PART NO.	PART NAME	QTY	REMARKS
1	M97282	GASKET	1	INSULATOR
2	M97280	GASKET	1	
3	M97278	GASKET	1	
4	W40432	GASKET	1	
5	M97289	SEAL	1	
6	M131989	GASKET	1	HEAD, (SUB FOR M119138)
7	M88987	SEAL	1	GOVERNOR SHAFT
8	W40491	GASKET	1	
9	M73271	GASKET	1	
10	PT18249	SEAL	1	
11	M119139	GASKET	1	CRANKCASE COVER
12	M70096	O-RING	1	
13	AW26837	OIL FILTER	1	
14	M88476	GASKET	1	
15	M88472	O-RING	1	
16	AM124809	GASKET KIT	1	(SUB FOR AM119041)



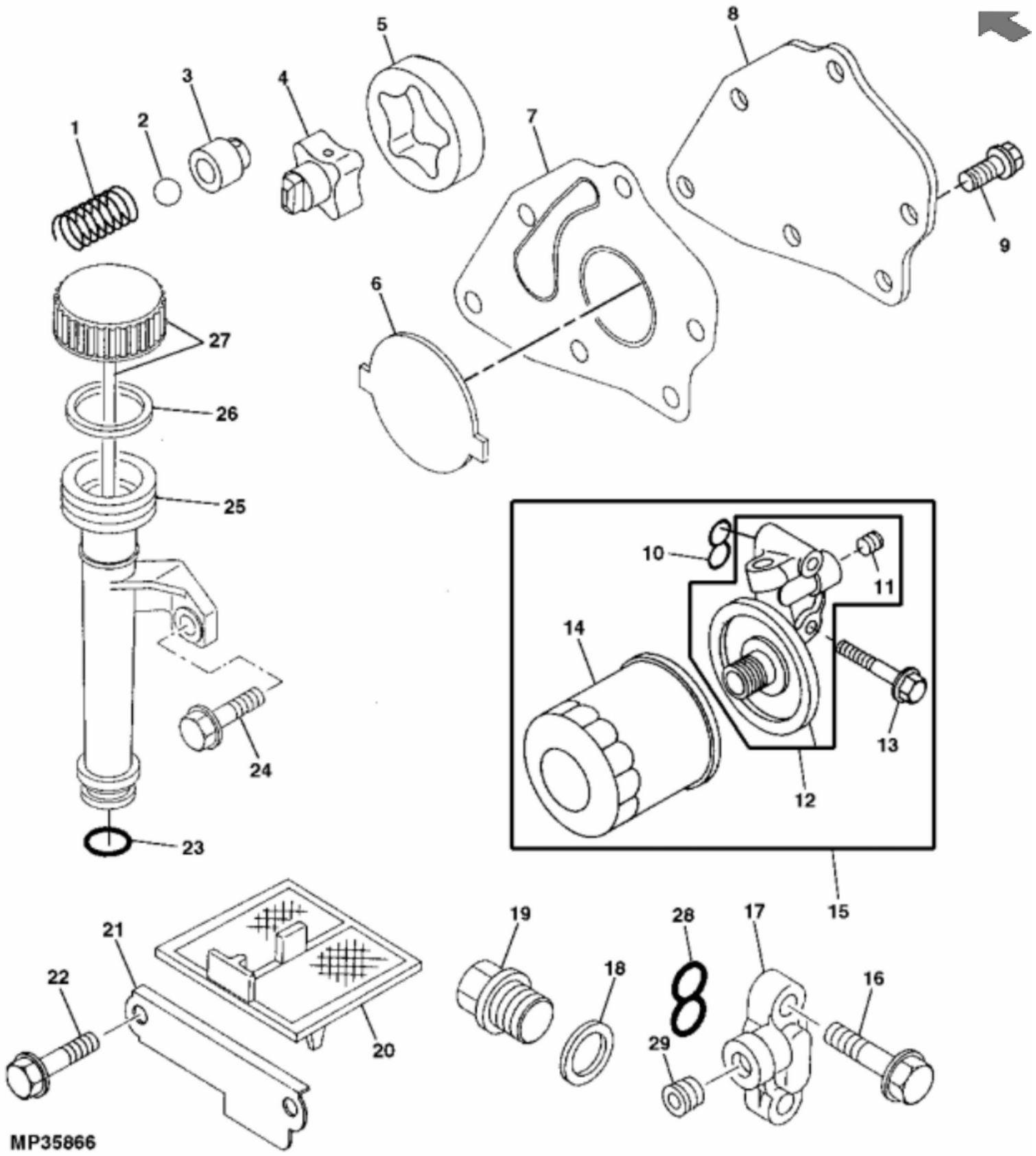
MP16487

KEY	PART NO.	PART NAME	QTY	REMARKS
1	AM102610	PISTON RING KIT	1	(STD)
1	AM102612	PISTON RING KIT	AR	.50 MM (.020") OS
2	M70220	WIRE	2	
3	M1U14328	PISTON	1	SUB FOR M119153; STD
3	M119174	PISTON	AR	.50 MM (.020") OS
4	M70226	SPACER	1	
5	AW26833	WEIGHT	1	
6	M70096	O-RING	1	
7	M70095	SHAFT	1	
8	M70097	NUT	4	
9	AM102616	KIT	1	SHIM
10	M119175	HELICAL GEAR	1	
11	M70222	SPUR GEAR	1	
12	AM107155	ROD	2	
13	M70265	BEARING	2	
14	M77843	SHAFT KEY	1	
15	AM119022	CRANKSHAFT	1	
16	M147310	BOLT	4	SUB FOR PT12040
17	M1A10721	CONNECTING ROD	1	SUB FOR PT18253; STD
17	M1A10722	CONNECTING ROD	1	.50 MM (.020") US ;, SUB FOR AW26861
18	M70219	PISTON PIN	1	

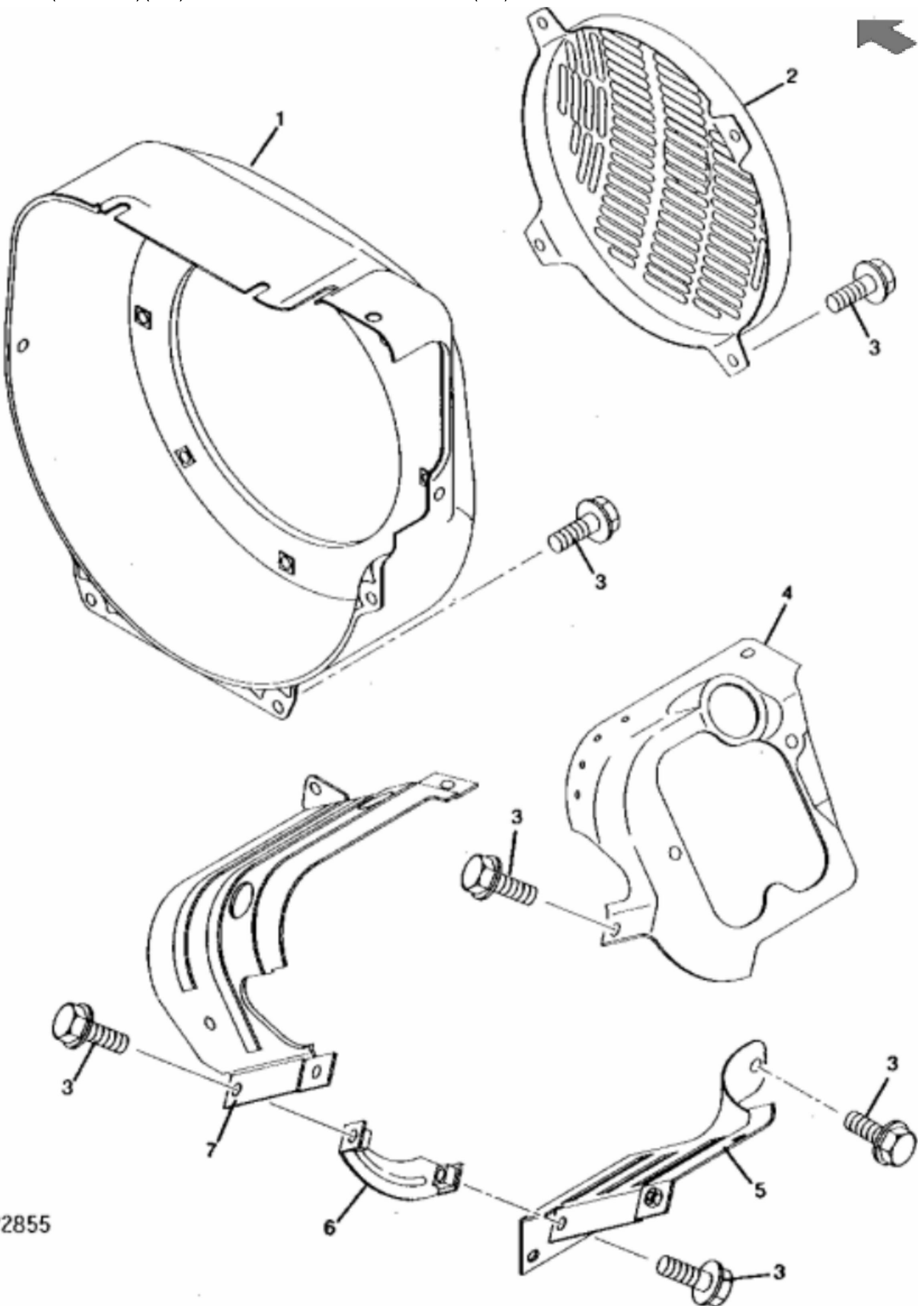


PU06740

KEY	PART NO.	PART NAME	QTY	REMARKS
1	M76091	SCREW	2	
2	M76092	NUT	2	
3	AM109394	KIT	1	SCREW AND NUT (SUB COMPONENTS)
4	ROCKER ARM	2	
5	WASHER	1	
6	SNAP RING	1	
7	W40429	ROCKER ARM SHAFT	1	
8	AM109395	ROCKER ARM	1	
9	M70212	PUSH ROD	2	
10	M70213	TAPPET	2	
11	M70044	SPRING	1	
12	PIN	2	
13	PLATE	1	
14	AM119023	CAMSHAFT	1	
15	AM119036	KIT	1	CAMSHAFT AND TAPPET (SUB COMPONENTS)
16	M72002	INTAKE VALVE	1	
17	M70033	WIRE	2	SPRING
18	M70034	SEAL	2	
19	M70206	SPRING	2	
20	M72322	WIRE	2	
21	AM132412	RETAINER KIT	2	Valve Collet
22	AM116041	VALVE TRAIN KIT	1	NLA; ORDER AM132412, M70033, M70206, M70034, M72002 AND M72322; Intake Valve
23	W40427	EXHAUST VALVE	1	
24	AM109192	EXHAUST VALVE	1	(DISCARD M70034 SEAL FOR ENGINES BELOW SN 120475) (SUB AM132412, M70033, M70034, M70206, M72322, W40427)

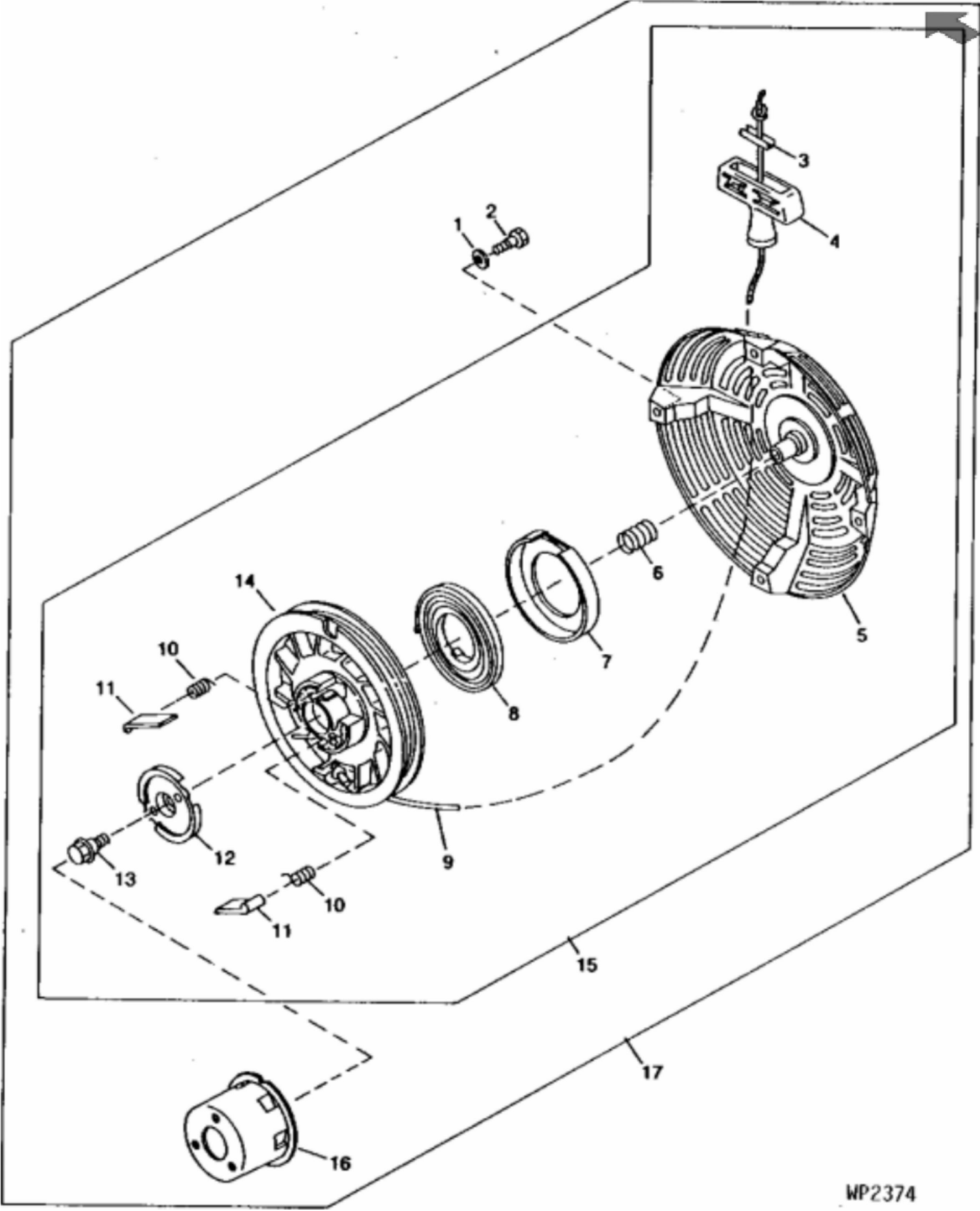


KEY	PART NO.	PART NAME	QTY	REMARKS
1	W40440	SPRING	1	
2	M88526	BALL	1	
3	W40431	VALVE SEAT INSERT	1	
4	AW26836	OIL PUMP	1	
5	M76141	ROTOR	1	
6	W40434	PLATE	1	
7	W40432	GASKET	1	
8	W40437	COVER	1	
9	MIU11967	BOLT	6	(SUB FOR M119145)
10	M88472	O-RING	1	
11	M97250	PLUG	1	
12	W40392	BRACKET	1	
13	19M7320	CAP SCREW	2	M6 X 40
14	AM107423	OIL FILTER	1	
15	AW26806	BRACKET KIT	1	OIL FILTER (OPTIONAL)
16	19M7862	SCREW	2	M6 X 20
17	W40435	COVER	1	
18	M88476	GASKET	2	
19	MIU11641	DRAIN PLUG	1	(ENGINE MARKED FE290D-AS08) (SUB FOR M119144)
19	M113396	PLUG	1	
20	AW26837	OIL FILTER	1	
21	W40433	PLATE	1	
22	M88525	BOLT	2	NLA; ORDER MIU11965
23	M88478	O-RING	1	
24	19M7775	SCREW	1	M6 X 16
25	ET15671	FILLER NECK	1	
26	M88482	GASKET	1	
27	M120073	DIPSTICK	1	(SUB FOR ET15672)
28	M88472	O-RING	1	
29	M97250	PLUG	1	



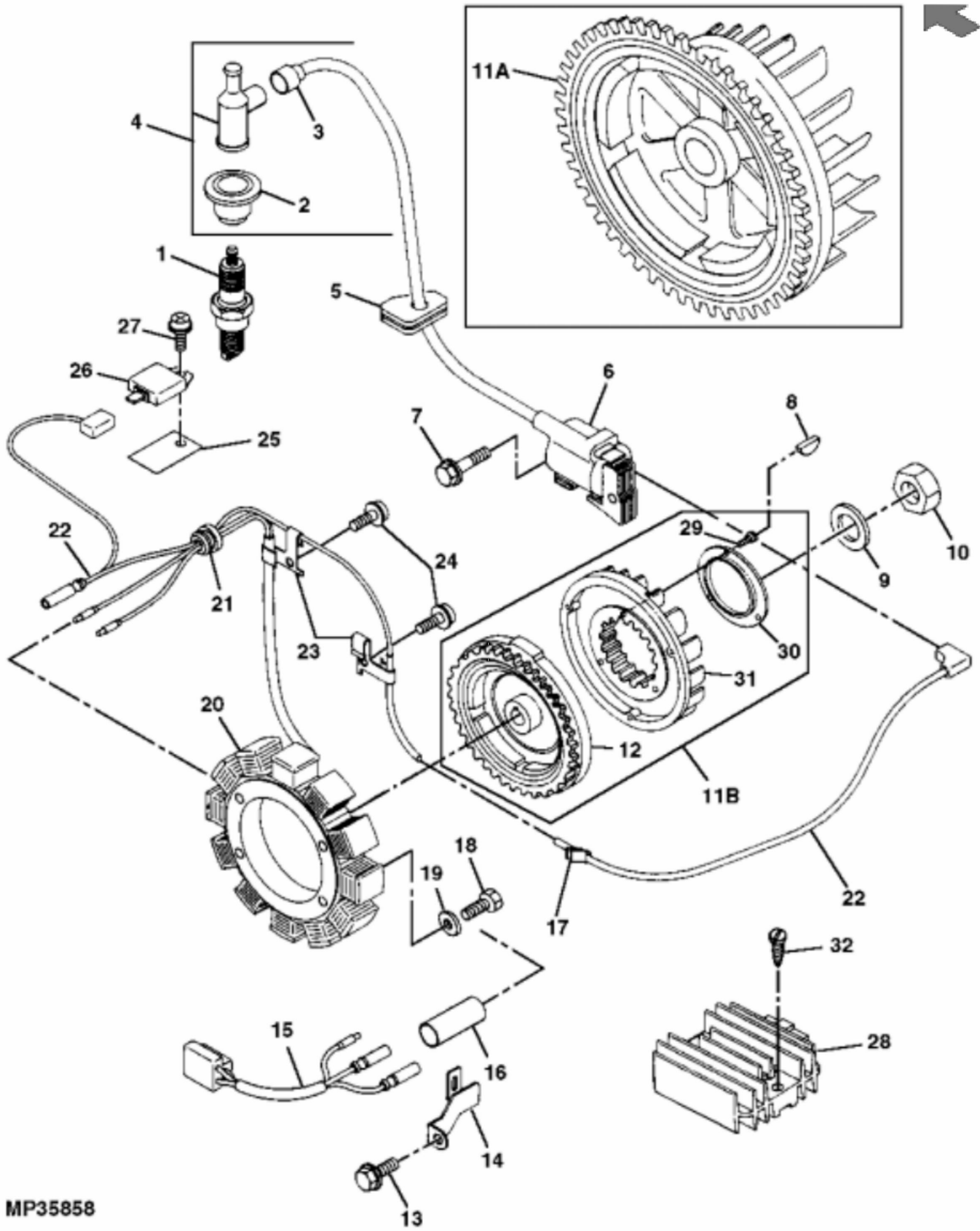
WP2855

KEY	PART NO.	PART NAME	QTY	REMARKS
1	W40446	HOUSING	1	FAN
2	M76927	GUARD	1	
3	19M7774	SCREW	23	M6 X 12
4	W40443	SHROUD	1	
5	W40444	SHROUD	1	
6	W40441	BRACKET	1	
7	W40442	SHROUD	1	



WP2374

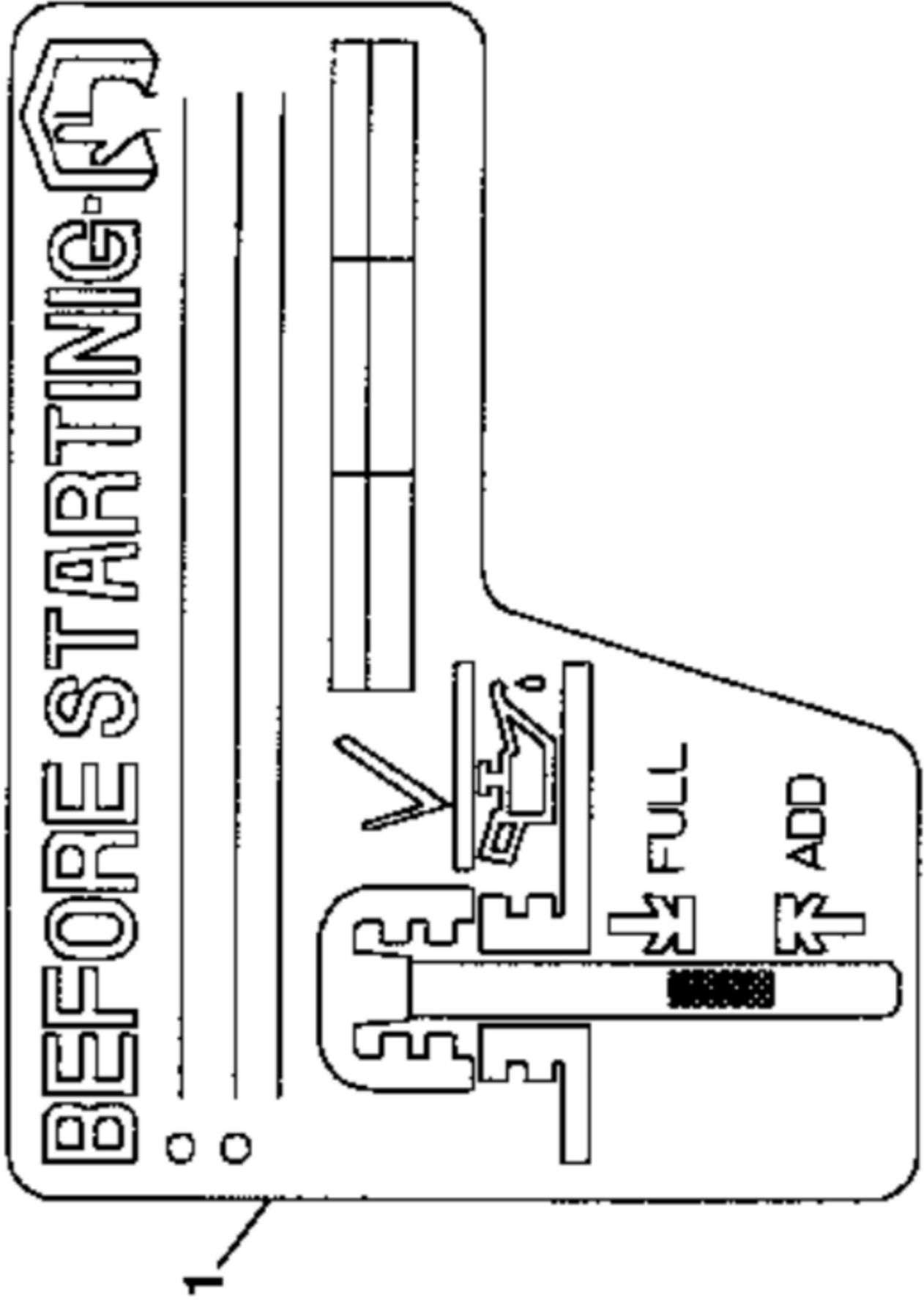
KEY	PART NO.	PART NAME	QTY	REMARKS
1	24M7040	WASHER	3	11 X 20 X 2 mm
2	19M7300	CAP SCREW	3	M6 X 10
3	CAP	1	
4	M128887	GRIP	1	SUB FOR M95566, AM116693 OR PT9915
5	M95565	CASE	1	
6	M95684	SPRING	1	
7	M95564	CASE	1	
8	M78050	SPRING	1	
9	ROPE	1	4.5 X 1550 MM (3/16 X 60"), (MAKE FROM TY15931)
10	PT9991	TORSION SPRING	2	
11	M79450	PAWL	2	
12	M95563	RETAINER	1	
13	PT10188	CAP SCREW	1	
14	M95683	REEL	1	
15	AM108383	RECOIL STARTER	1	NLA
16	M95151	PULLEY	1	
17	AM108382	PULLEY KIT	1	RECOIL STARTER



MP35858

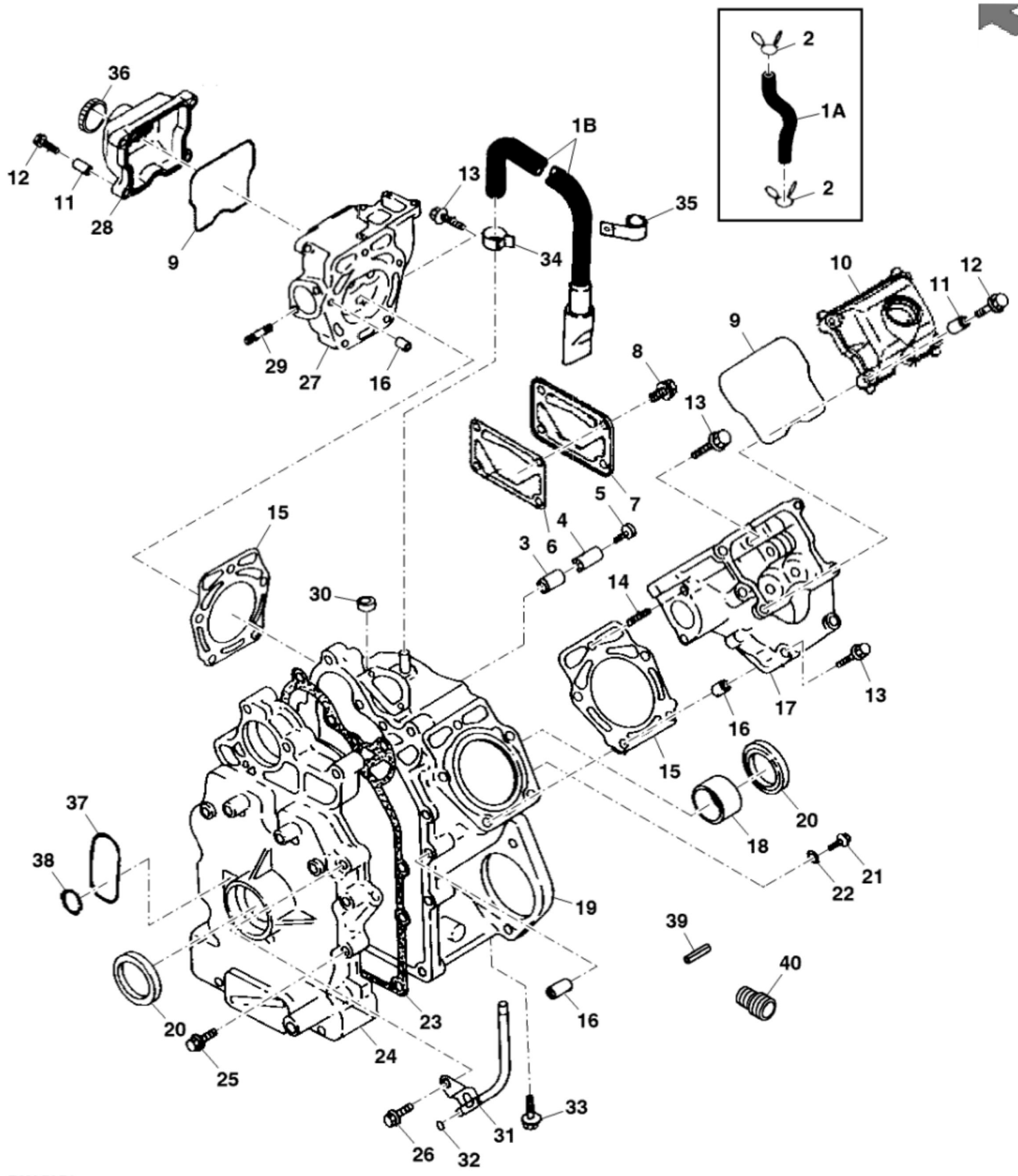
KEY	PART NO.	PART NAME	QTY	Serial No.	REMARKS
1	M802138	SPARK PLUG	1		BPR5ES (NGK)
2	W40450	COVER	1		
3	PT10001	GROMMET	1		
4	AM131240	PLUG	1		SUB FOR AW26838
5	M70118	GROMMET	1		
6	W40449	ELECTRICAL COIL	1	____-106572	W/ Ignitor; Engine Marked FE290D-BS08
6	M126972	ELECTRICAL COIL	1	106573-____	W/O Ignitor; Engine Marked FE290D-CS08; FE290D-ES08; FE290D-CS26
7	M88483	BOLT	2		
8	M77843	SHAFT KEY	1		
9	M70280	WASHER	1		
10	M73821	NUT	1		
11A	AM119006	FLYWHEEL	1		ENGINE MARKED FE290D-AS08; SUB AM122741
11B	AM122741	FLYWHEEL	1		
12	FLYWHEEL	1		ORDER AM122741
13	19M7774	SCREW	1		M6 X 12
14	W40458	CLAMP	1		
15	W40451	WIRING HARNESS	1		
16	W40454	TUBE	1		(16 X 17 X 40 MM)
17	W40457	CLAMP	1		
18	21M7206	SCREW	4		M6 X 20
19	24M7054	WASHER	4		6.400 X 12 X 1.600 mm
20	M119147	FIELD WINDING COIL	1		
21	W40455	GROMMET	1		
22	W40452	WIRING LEAD	1		NLA
22	M126574	WIRING LEAD	1		
23	W40456	CLAMP	2		
24	M95848	SCREW	2		
25	W40447	INSULATOR	1		NLA
26	M119146	IGNITOR	1	____-106572	
27	M77136	SCREW	1		
28	AM126304	VOLTAGE REGULATOR	1		SUB FOR AM101046
29	19M7861	SCREW	3		M6 X 10
30	M123756	PLATE	1		

KEY	PART NO.	PART NAME	QTY	Serial No.	REMARKS
31	M123681	FAN	1		SUB FOR M125545
32	37M7513	SCREW	2		M6 X 45



MP16932

KEY	PART NO.	PART NAME	QTY	REMARKS
1	M76549	LABEL	1	OIL MAINTENANCE



PU15851

KEY	PART NO.	PART NAME	QTY	Serial No.	REMARKS
1A	M118836	TUBE	1		SUB FOR M118616
1B	AM122397	TUBE	1		NLA
1B	M135036	TUBE	1	135549-_____	
2	M77734	CLAMP	2	_____-068250	
3	M76125	VALVE	1		
4	M76124	PLATE	1	_____-148812	ENGINE MARKED FD620D-AS11
4	M135063	PLATE	1		USE WITH AM129808
5	M95848	SCREW	1		
6	M114464	GASKET	1		
7	M97314	COVER	1		
8	19M7865	SCREW	4		M8 X 16
9	MTU11358	GASKET	2		SUB FOR M76072
9	MTU11646	GASKET	1		USE WITH M114465
10	M76071	CASE	1		Rocker
11	M76073	BUSHING	8		
12	19M7863	SCREW	8		M6 X 25
13	MTU11988	BOLT	10		SUB FOR M118772
14	M131853	STUD	4		6 X 18 mm
15	M97309	ENGINE CYLINDER HEAD GASKET	2		
16	M70227	PIN	6		
17	M139489	CYLINDER HEAD	1	_____-204958	SUB FOR M97311
17	M142271	CYLINDER HEAD	1	204959-_____	
18	MTU12135	BEARING	1		(A); SUB FOR M97316
19	M1A12865	CRANKCASE	1		INCLUDES PARTS MARKED (A); SUB FOR AM126299
20	M76154	SEAL	2		SUB FOR M76128
21	19M7864	SCREW	2		M8 X 12
22	MTU14495	GASKET	2		SUB FOR M76150
23	M139016	GASKET	1		SUB FOR M117934
24	MTU14322	COVER	1		SUB FOR M132671
25	19M8318	SCREW	6		M8 X 45
26	M139490	BOLT	2		SUB FOR M94242
27	M139488	CYLINDER HEAD	1	_____-204958	SUB FOR M97310
27	M142268	CYLINDER HEAD	1	204959-_____	
28	M118614	CASE	1		Rocker

KEY	PART NO.	PART NAME	QTY	Serial No.	REMARKS
28	MTU11645	CASE	1		USE WITH M147324
29	M76074	STUD	2		6 X 16 mm
29	M68191	STUD	2		6 X 18 mm
29	M131853	BOLT	2		6 X 20 mm, SUB FOR M123635
30	M88987	SEAL	1	____-204958	6 mm ID
30	MIU10833	SEAL	1	204959-____	8 mm ID, SUB FOR M94387
31	M122000	DIPSTICK TUBE	1		SUB FOR M118615
32	M117034	O-RING	1		Dipstick Tube
33	19M7866	SCREW	4		M8 X 20, Engine To Frame
34	M124879	CLAMP	1		NLA
35	M124936	CLAMP	2	068251-____	
36	M114465	CAP	1		SUB M147324; ALSO ORDER M147334, MIU11645, MIU11646
37	M76103	O-RING	1		
38	M76104	O-RING	1		
39	M138625	PIN	1		
40	M127431	ADAPTER FITTING	1		
..	AM116849	ENGINE	1		FD620D-AS11, ORDER MIA10767, ALSO ORDER M143771, R72654, AM129722, AM130237, M124866, M141939 AND (3) 19M7861
..	AM122295	ENGINE	1		FD620D-BS11, ORDER AM129808
..	AM124035	ENGINE	1		FD620D-CS11, ORDER AM129808
..	AM126276	ENGINE	1		FD620D-DS11, ORDER AM129808
..	AM126900	ENGINE	1		FD620D-ES11, ORDER AM129808)
..	AM128218	ENGINE	1		FD620D-FS11, ORDER AM129808
..	AM129613	ENGINE	1		FD620D-GS11, ORDER AM129808
..	AM131133	ENGINE	1		FD620D-HS11, ORDER AM129808
..	AM131468	ENGINE	1		FD620D-JS11, ORDER AM129808
..	AM135059	ENGINE	1		FD620D-KS11, ORDER AM129808
..	MIA10767	ENGINE	1		FD620D-LS11, ORDER AM129808
..	MIA12913	SHORT BLOCK ASSEMBLY	1		SUB FOR AM129808, AM128220, AM124874, AM126335, AM127246 OR AM128219

Please write to us.

Our email:

aservicemanualpdf@yahoo.com

**Please go to the homepage
to get the full manual, or
other brand PDF manuals.**

Home Site:

aservicemanualpdf.com

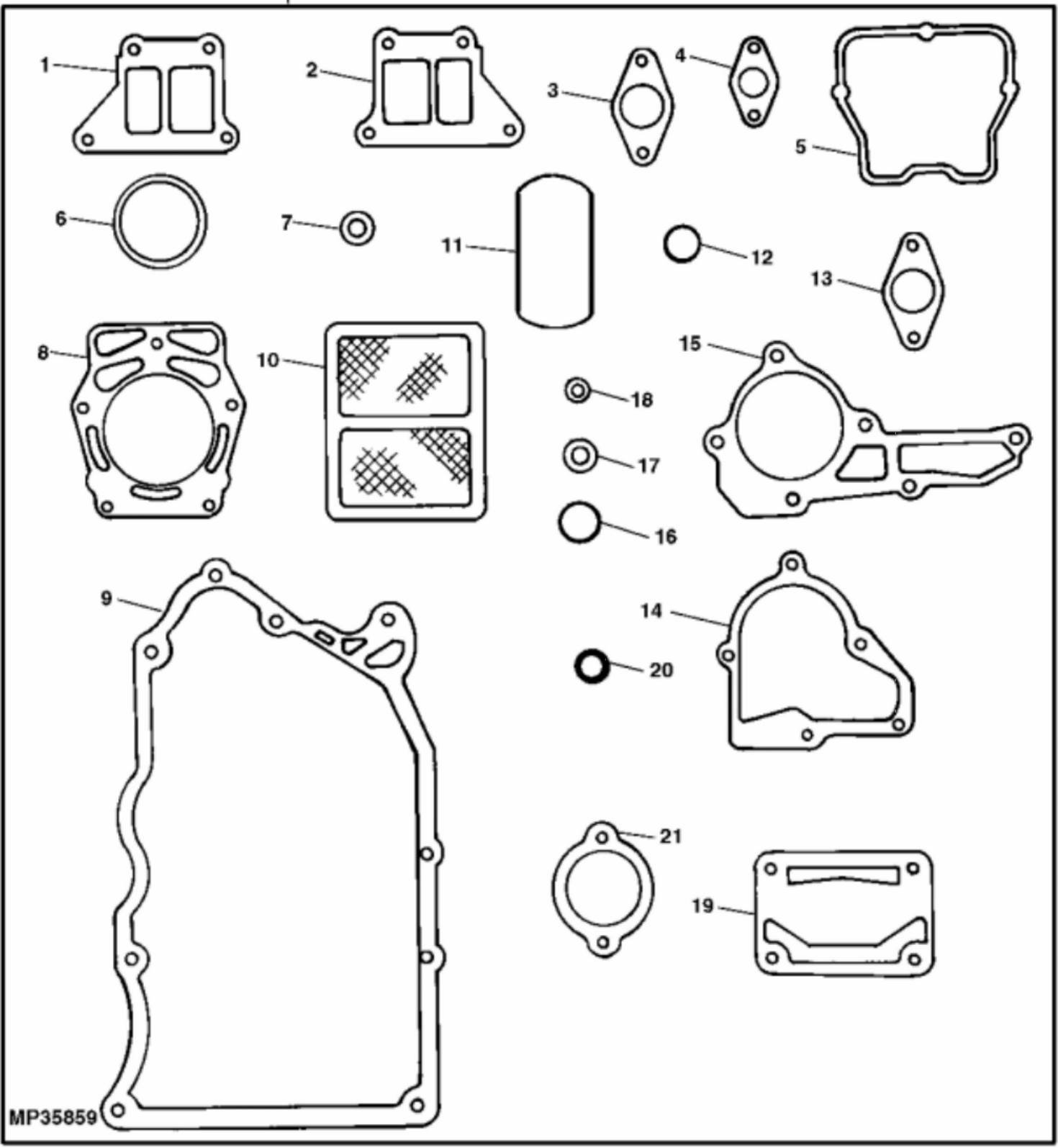
Thank you very much for your reading. Please Click Here. Then Get COMPLETE MANUAL. NO WAITING



NOTE:

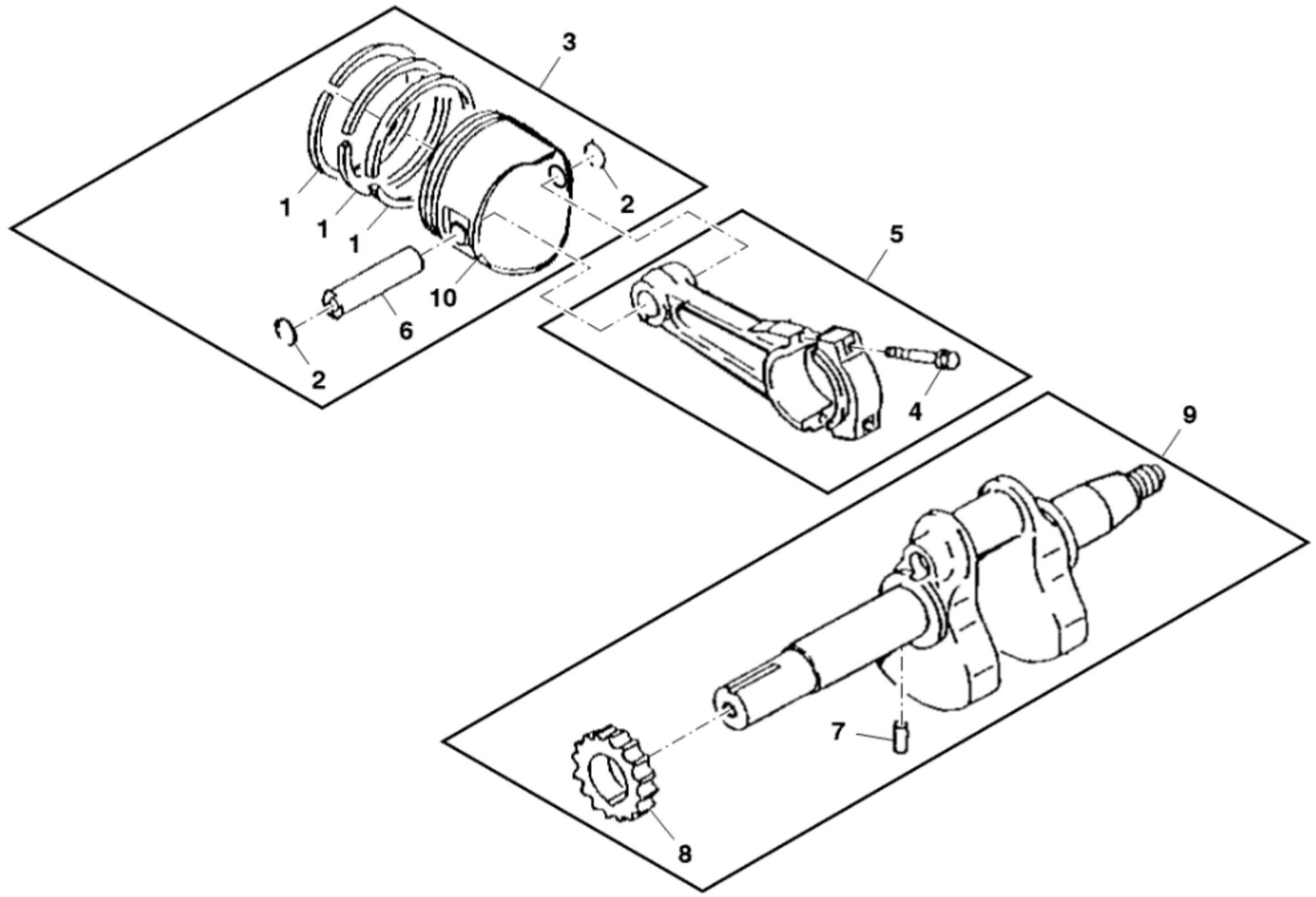
If there is no response to click on the link above, please download the PDF document first and then click on it.

22



MP35859

KEY	PART NO.	PART NAME	QTY	REMARKS
1	M113684	GASKET	1	INTAKE MANIFOLD (RH)
2	M113685	GASKET	1	INTAKE MANIFOLD (LH)
3	M147958	GASKET	1	CARBURETOR BASE, (SUB FOR M114429)
4	M113686	GASKET	2	MUFFLER
5	M1U11358	GASKET	2	ROCKER CASE, (SUB FOR M76072)
6	M76154	SEAL	2	CRANKSHAFT
7	M88987	SEAL	1	GOVERNOR SHAFT
8	M97309	ENGINE CYLINDER HEAD GASKET	2	
9	M139016	GASKET	1	CRANKCASE COVER, (SUB FOR M117934)
10	M96765	SCREEN	1	OIL
11	M76103	O-RING	1	OIL PUMP
12	M76104	O-RING	1	OIL PUMP
13	M113714	GASKET	1	
14	M139017	GASKET	1	WATER PUMP COVER
15	M139018	GASKET	1	WATER PUMP HOUSING
16	M76145	O-RING	1	
17	M76118	SEAL	1	
18	M1U14495	GASKET	2	SUB FOR M76150
19	M114464	GASKET	1	
20	M77746	GASKET	1	
21	M113682	GASKET	1	THERMOSTAT COVER
22	M1A10941	GASKET KIT	1	(SUB FOR AM119771 OR AM128787)



PU08355