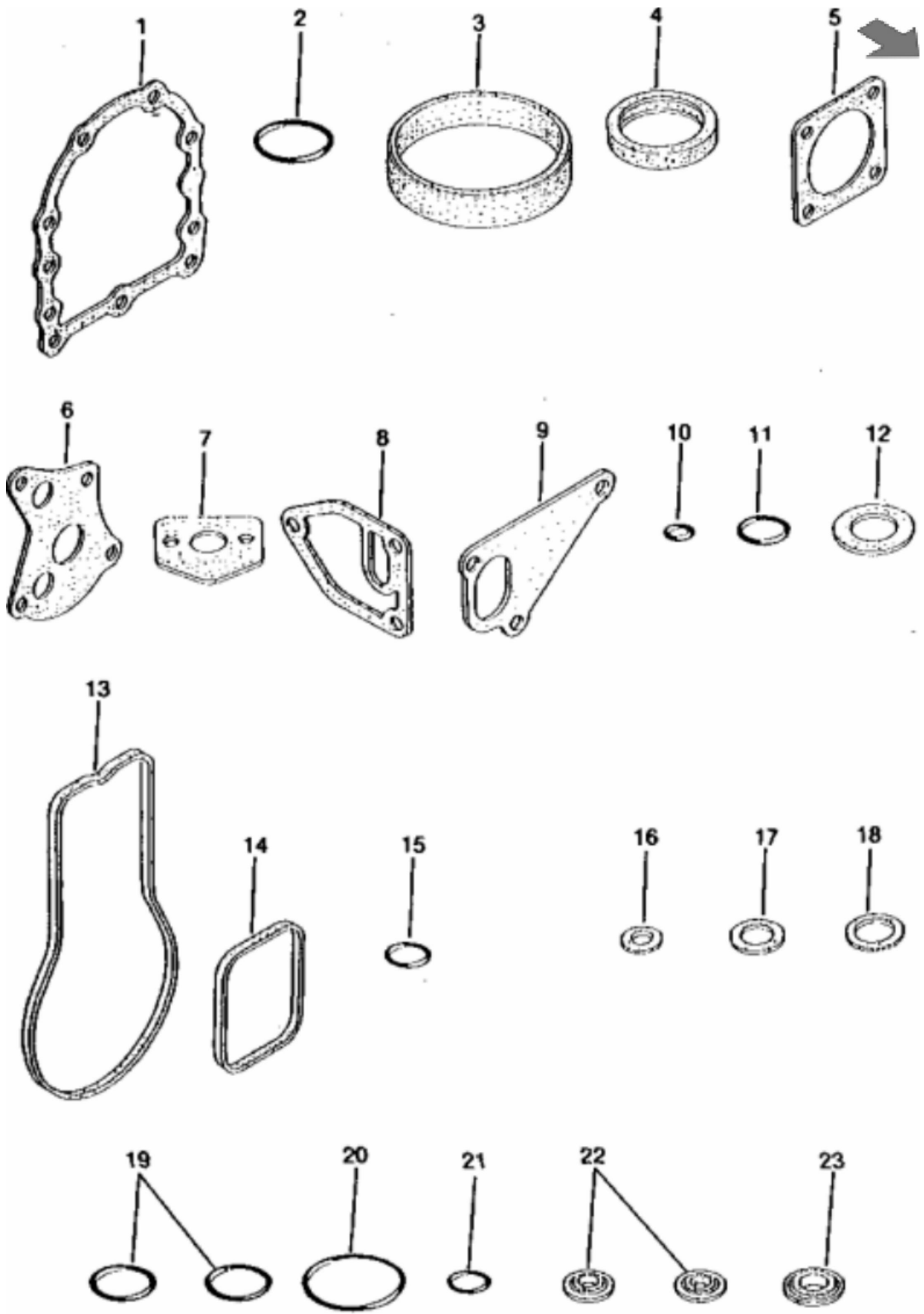


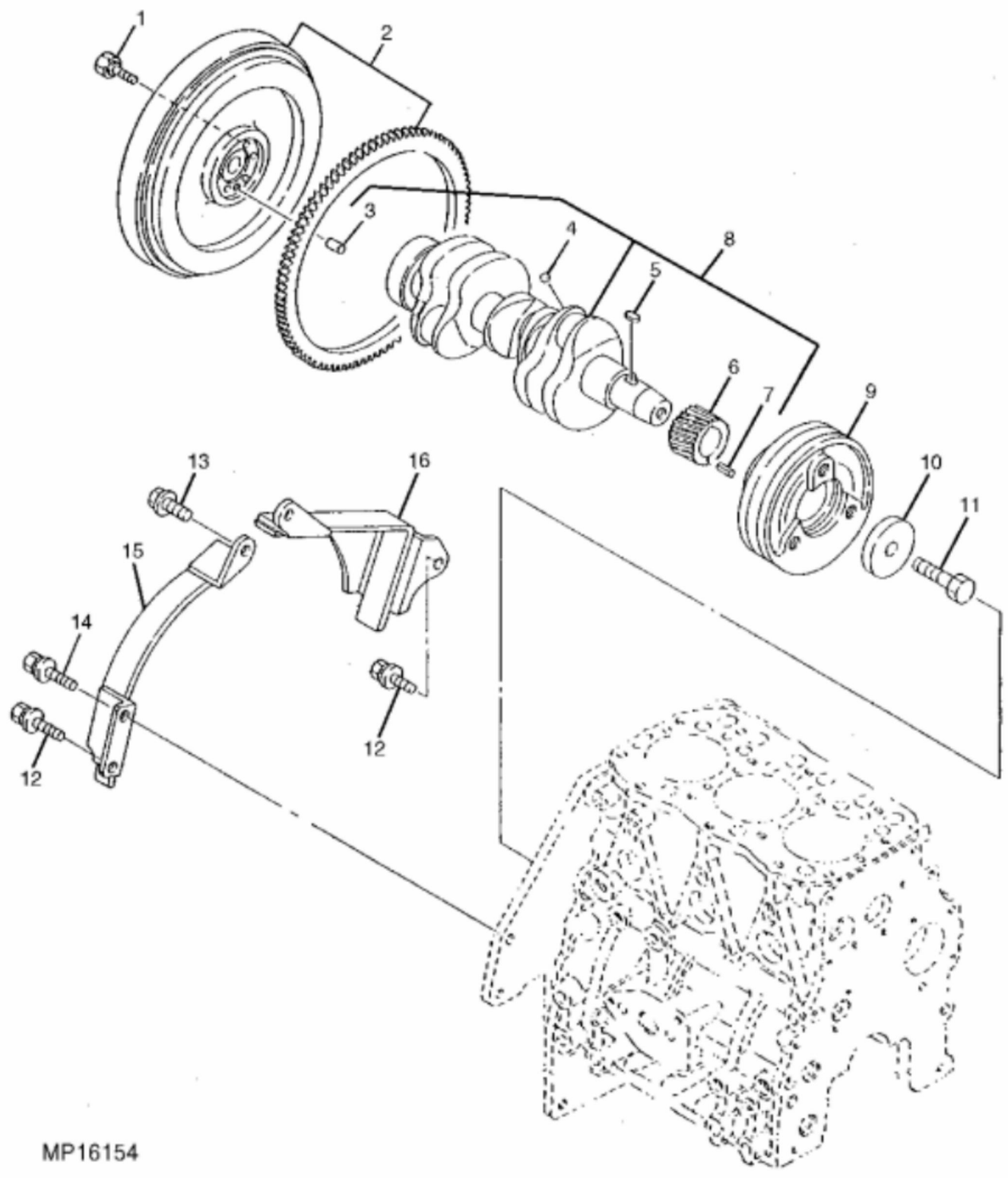
MP6652

KEY	PART NO.	PART NAME	QTY	REMARKS
1	M801186	BOLT	14	CYLINDER HEAD
2	M805837	ENGINE CYLINDER HEAD GASKET	1	CYLINDER HEAD, (SUB FOR M804333)
3	CH18079	SPRING PIN	2	
4	CH10642	PLUG	6	(30)
5	15H562	PIPE PLUG	1	1"
6	M800977	BUSHING	1	CAMSHAFT
7	AM875315	GEAR	1	IDLER
8	M800978	SHAFT	1	
9	CH19101	BOLT	2	
10	M87801	PLUG	2	KNOCK
11	M800974	PIPE	2	BEARING CAP
12	M801189	BOLT	8	
13	AM875371	BEARING KIT	4	
14	MIA880555	BEARING	2	(SUB FOR AM875373)
15	MIA880550	BEARING	4	.25 OS., (SUB FOR AM875374)
16	CH10335	PLUG	3	
17	CH13504	PLUG	1	DIPSTICK
18	M806840	PLUG	1	(SUB FOR M800973)
19	M802255	PIN	1	
20	M805251	HOSE FITTING	1	(SUB FOR AM100800, THIS APPLICATION)
21	TY22465	HOSE CLAMP	1	(SUB FOR AR21837)
22	AM100856	SWITCH	1	
23	AM877288	CYLINDER BLOCK	1	
24	M805255	DIPSTICK	1	
25	M805010	DIPSTICK	1	NLA, GUIDE
26	19M7865	SCREW	1	M8 X 16
27	CH10571	PACKING	1	
28	M89143	GUIDE	1	
29	AR87184	COOLANT HEATER	1	
30	AR87168	POWER CORD	1	
31	AR87167	HEATER KIT	1	
..	AM106038	DIESEL ENGINE	1	(SUB FOR AM108006) (SUB MIA882672)
..	MIA882672	SHORT BLOCK ASSEMBLY	1	(INCLUDES AM877288 CYLINDER BLOCK, CRANKSHAFT, PISTONS AND RODS, CAMSHAFT, AND IDLER GEAR)



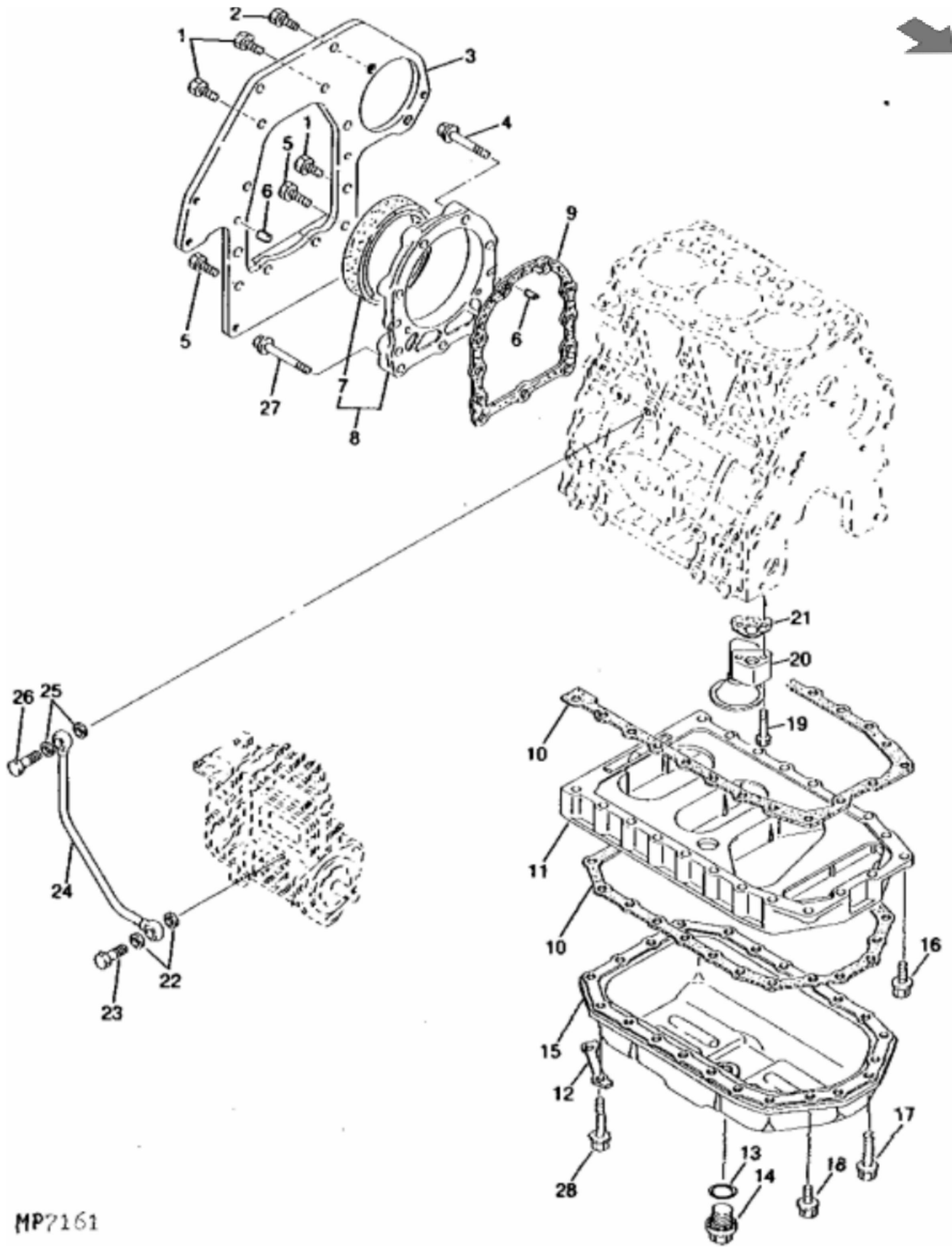
MP6900

KEY	PART NO.	PART NAME	QTY	REMARKS
1	.....	GASKET	1	(MAKE FROM M64850 SEALANT), (SUB FOR M801204)
2	M805711	PACKING	1	(SUB FOR CH15414, THIS APPLICATION)
3	M805278	SEAL	1	(SUB FOR M801203)
4	M800988	SEAL	1	OIL
5	M805696	GASKET	1	(SUB FOR CH12816)
6	M801005	GASKET	1	
7	M805829	GASKET	1	OIL PUMP, (SUB FOR M800999)
8	M806402	GASKET	1	STRAINER, (SUB FOR M805244)
9	M801265	GASKET	1	BRACKET; NLA; ORDER M809584
9	M809584	GASKET	1	
10	M89151	O-RING	2	
11	CH16940	O-RING	1	
12	M801314	GASKET	1	
13	.....	PACKING	1	(ORDER AM878182)
14	M801321	PACKING	1	
15	.....	O-RING	3	(NON SERVICEABLE FOR FUEL INJECTION AND GOVERNOR)
16	.....	SEAL	1	(ORDER AM878182)
17	CH10554	PACKING	1	
18	CH10555	WASHER	1	
19	CH10570	O-RING	3	
20	CH11564	PACKING	1	
21	CH10571	PACKING	2	
22	M806438	WASHER	2	(SUB FOR CH15385)
23	M806424	WASHER	5	SEAL, (SUB FOR CH10645)
..	AM878182	KIT	1	GASKET, (SUB FOR AM877665)



MP16154

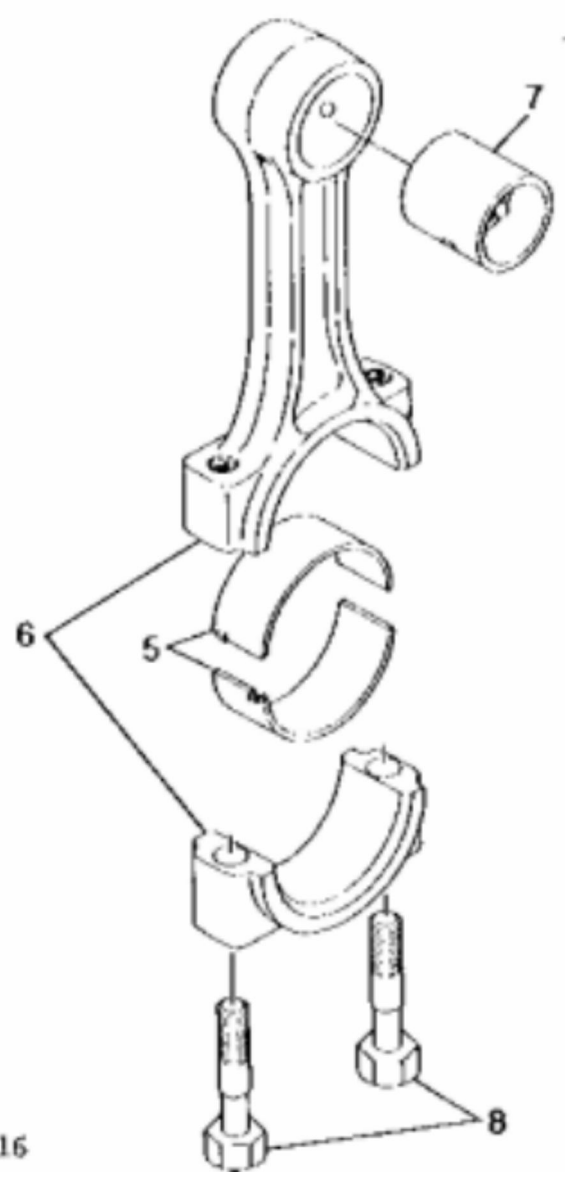
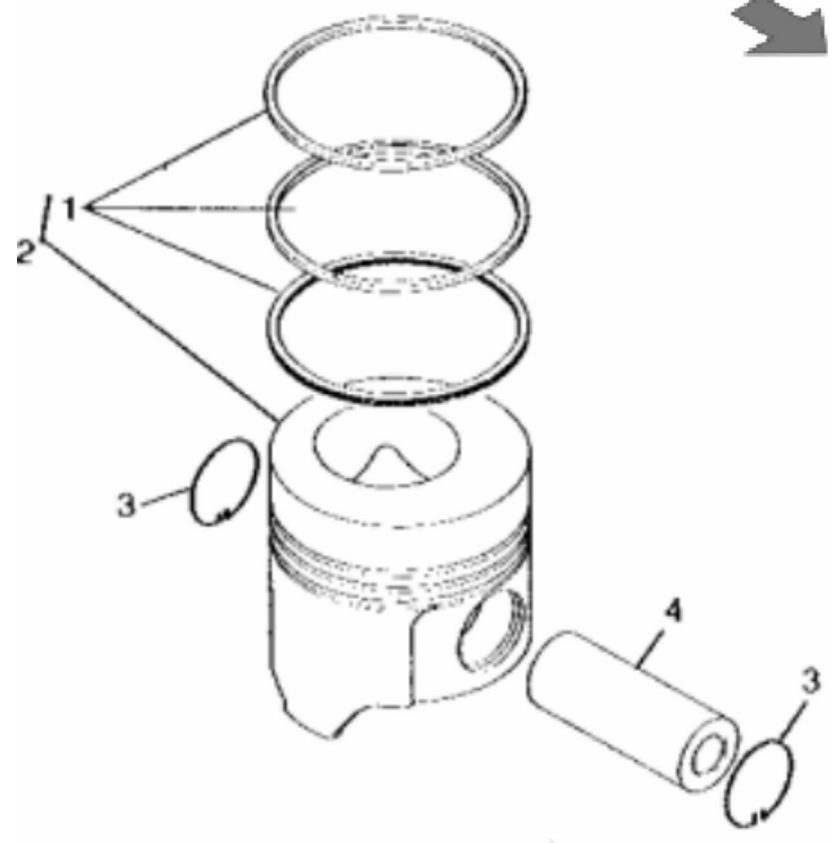
KEY	PART NO.	PART NAME	QTY	REMARKS
1	CH19291	BOLT	6	
2	AM877672	FLYWHEEL	1	ASSY. (SUB AM877672)
3	M802255	PIN	1	(SUB AM877672)
4	400R	BALL	3	
5	M801045	SHAFT KEY	1	
6	M801053	GEAR	1	(NLA)
7	CH12293	PIN	1	(USE WITH AM875538)
7	M802614	KEY	1	(USE WITH AM876335)
8	AM876335	CRANKSHAFT	1	(SUB FOR AM875538)
9	M801750	PULLEY	1	
10	M801055	WASHER	1	
11	CH16798	BOLT	1	
12	19M7163	CAP SCREW	2	M8 X 25
12	12M7065	LOCK WASHER	2	8 mm
12	24M7055	WASHER	2	8.400 X 16 X 1.600 mm
13	19M7864	SCREW	1	M8 X 12
14	M805014	BOLT	2	M8 X 25, NLA
15	M805004	HOUSING	1	RH
16	M805003	HOUSING	1	LH



MP7161

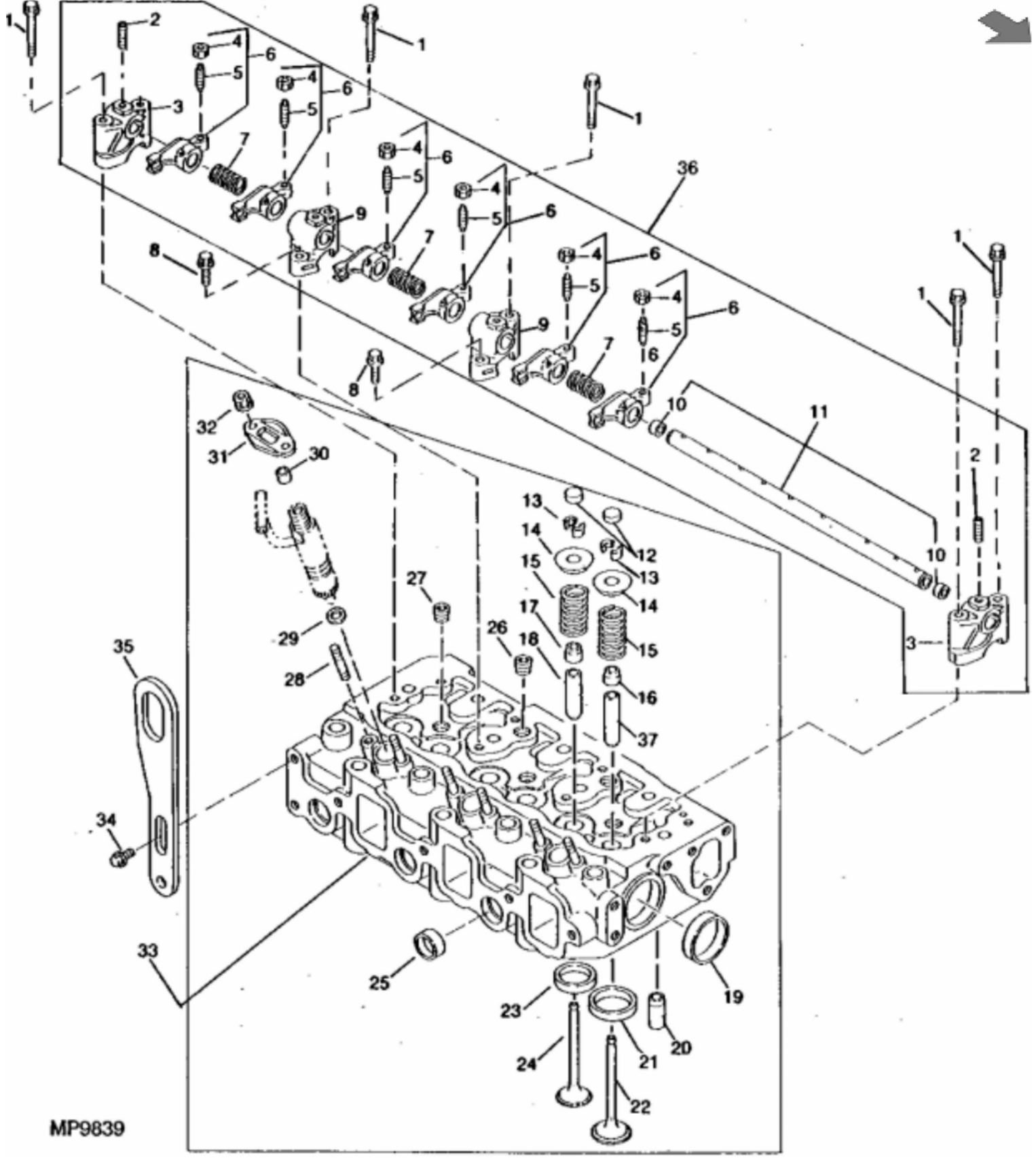
KEY	PART NO.	PART NAME	QTY	REMARKS
1	M800011	BOLT	6	
2	M801817	BOLT	2	
3	M800991	PLATE	1	BACK
4	19M7868	SCREW	6	M8 X 30
5	19M7402	CAP SCREW	4	M10 X 25, (SUB FOR M800077)
6	M802255	PIN	2	
7	M805278	SEAL	1	(SUB FOR M801203)
8	AM875375	CASE	1	OIL SEAL
9	.....	GASKET	1	OIL SEAL CASE (MAKE FROM M64850 SEALANT), (SUB FOR M801204)
10	.....	GASKET	AR	(MAKE FROM M64850 SEALANT)
11	M801735	RESERVOIR	1	INTERMEDIATE
12	M801206	PLATE	2	SUMP
13	CH13526	PACKING	1	
14	M800994	DRAIN PLUG	1	OIL DRAIN
15	AM877668	OIL PAN	1	(SUB FOR M805001)
16	19M7867	SCREW	1	M8 X 25
17	CH19101	BOLT	16	
18	19M7865	SCREW	4	M8 X 16
19	19M7897	SCREW	2	M8 X 35
20	M801208	STRAINER	1	OIL
21	M805829	GASKET	1	(SUB FOR M800999)
22	CH10554	PACKING	2	
23	CH15501	BOLT	1	
24	AM875540	FUEL LINE	1	
25	CH10555	WASHER	2	FI PUMP
26	CH10361	BOLT	1	
27	19M7897	SCREW	3	M8 X 35
28	19M7800	SCREW	4	M8 X 50





MP3916

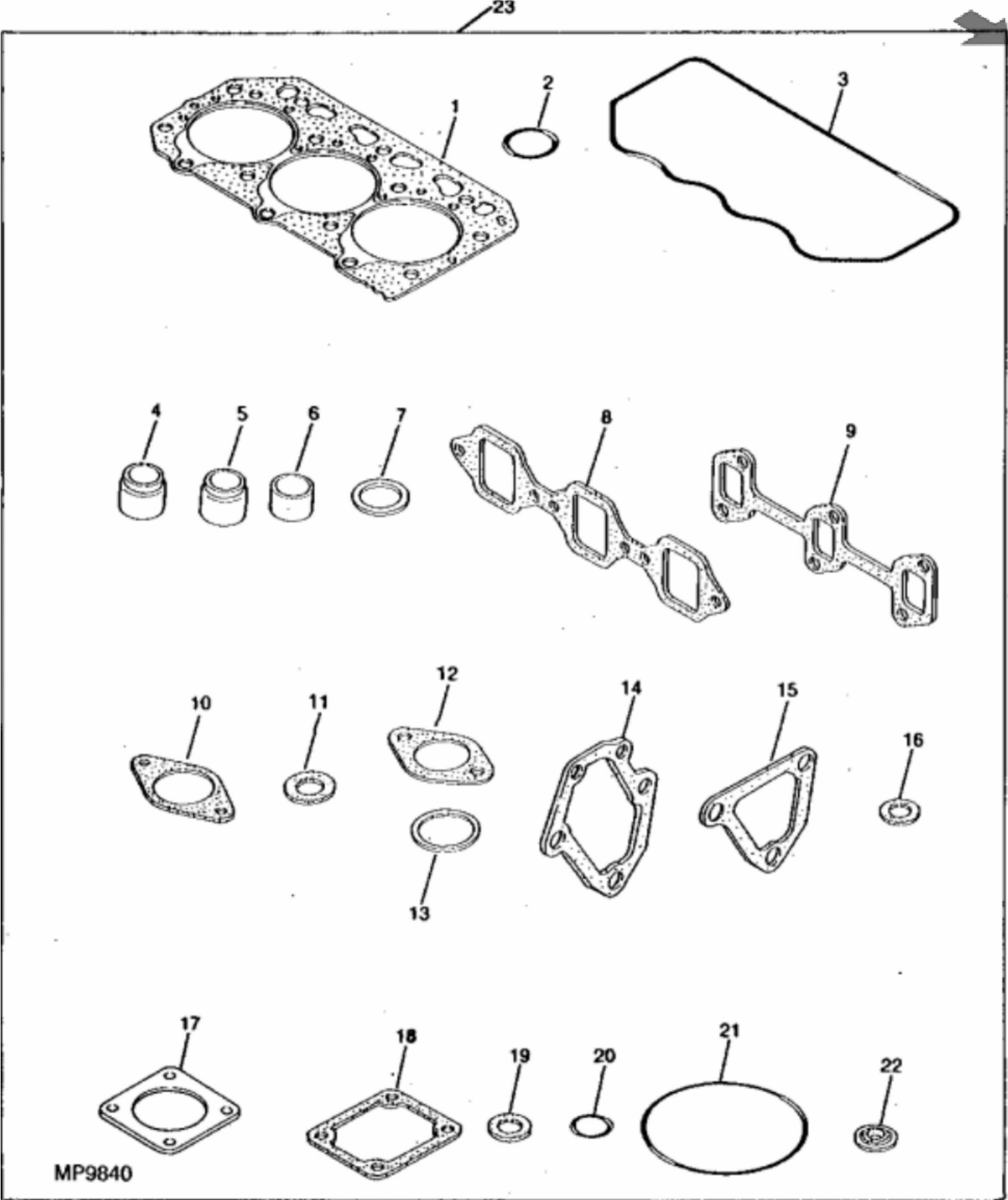
KEY	PART NO.	PART NAME	QTY	REMARKS
1	AM877967	PISTON RING KIT	3	STD
1	AM877970	PISTON RING KIT	3	.25MM (.010") OS
1	AM878245	PISTON RING KIT	3	.50MM (.020") OS
2	AM877968	PISTON	3	STD
2	AM877969	PISTON	3	.25MM (.010") OS
2	AM878244	PISTON	3	.50MM (.020") OS
3	M801247	RETAINER	6	
4	M801246	PISTON PIN	3	
5	M1A880563	BEARING	1	STD, (SUB FOR AM875392)
5	M1A880568	BEARING	1	.25MM (.010") US, (SUB FOR AM875395)
6	AM875391	CONNECTING ROD	3	
7	M801256	BEARING	1	PISTON PIN
8	CH15483	BOLT	2	



MP9839

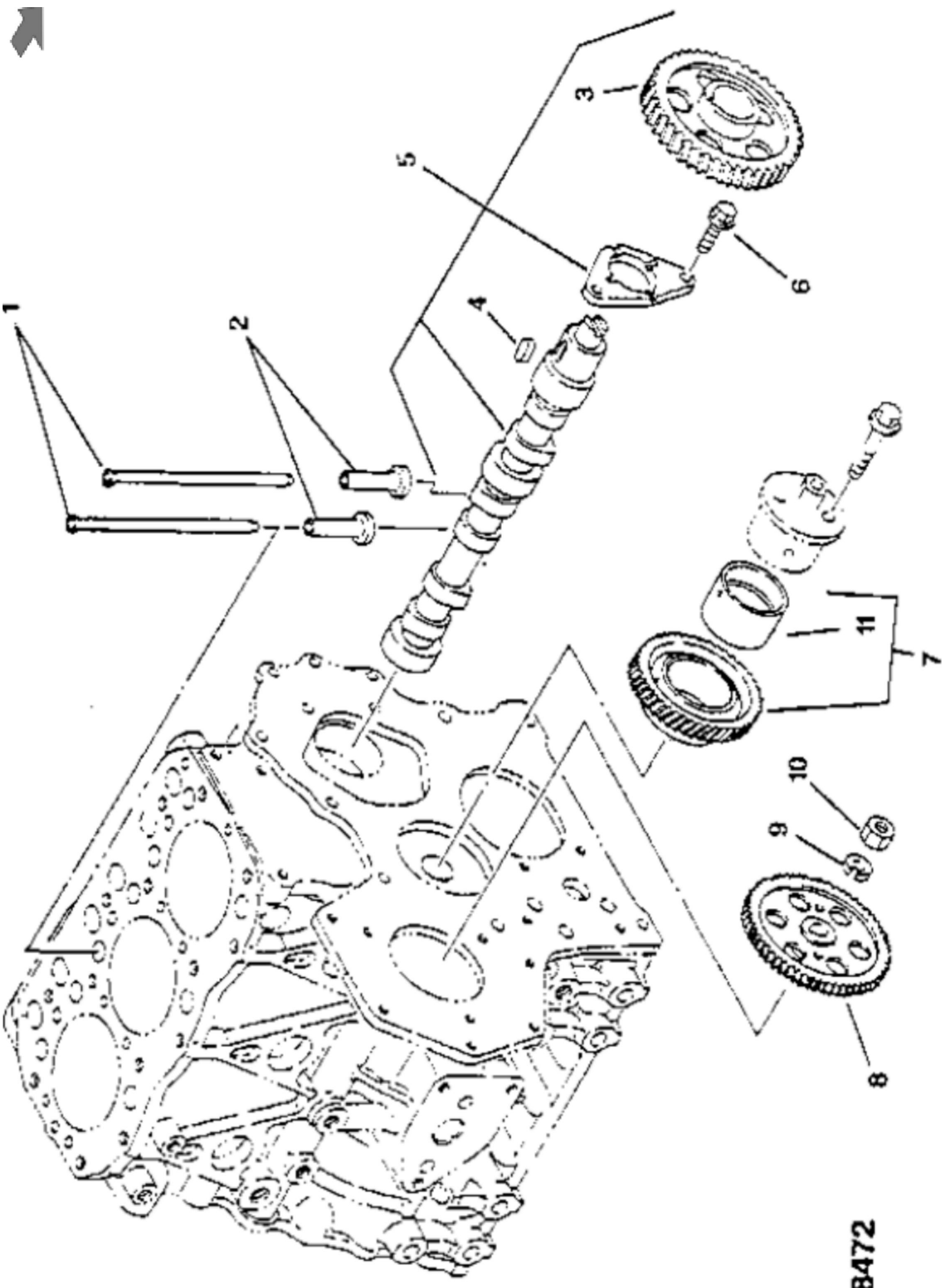
KEY	PART NO.	PART NAME	QTY	REMARKS
1	19M7800	SCREW	6	M8 X 50
2	M801024	STUD	3	
3	M801022	SUPPORT	2	ROCKER ARM
4	M801028	NUT	6	ADJUST
5	M801027	SCREW	6	ADJUST
6	AM875383	ARM	6	
7	M801025	SPRING	3	HEAT PROTECTOR
8	19M7867	SCREW	2	M8 X 25
9	M801023	SUPPORT	2	ROCKER ARM
10	M800002	PLUG	2	
11	AM875534	SHAFT	1	
12	M801224	CAP	6	VALVE
13	AM878862	RETAINER KIT	6	VALVE, (SUB FOR (2) CH10067)
14	M801223	RETAINER	6	SPRING
15	M801222	SPRING	6	VALVE
16	CH10450	SEAL	3	EXHAUST VALVE
17	T110650	SEAL	3	VALVE EXHAUST
18	M801228	GUIDE	3	EXHAUST, (SUB FOR CH19585)
19	CH16751	PLUG	2	
20	CH18079	SPRING PIN	2	
21	T110652	VALVE SEAT	3	INTAKE
22	M801220	INTAKE VALVE	3	INTAKE
23	T110653	VALVE SEAT	3	EXHAUST
24	T110649	EXHAUST VALVE	3	EXHAUST
25	CH16749	PLUG	3	
26	CH16747	PLUG	2	TAPER
27	15H666	PIPE PLUG	3	3/8"
28	M801219	BOLT	6	
29	M801017	VALVE SEAT	3	NOZZLE
30	M806732	GUARD	3	(SUB FOR M801016)
31	M801018	RETAINER	3	NOZZLE
32	14M7303	FLANGE NUT	2	M6
33	AM877670	CYLINDER HEAD	1	NLA, (ALSO INCLUDES (2) CH12909 STUDS)
34	CH19780	BOLT	2	
35	M96527	BRACKET	1	

KEY	PART NO.	PART NAME	QTY	REMARKS
36	AM876331	SUPPORT	1	
37	M801227	GUIDE	3	INTAKE, (SUB FOR M801218)



MP9840

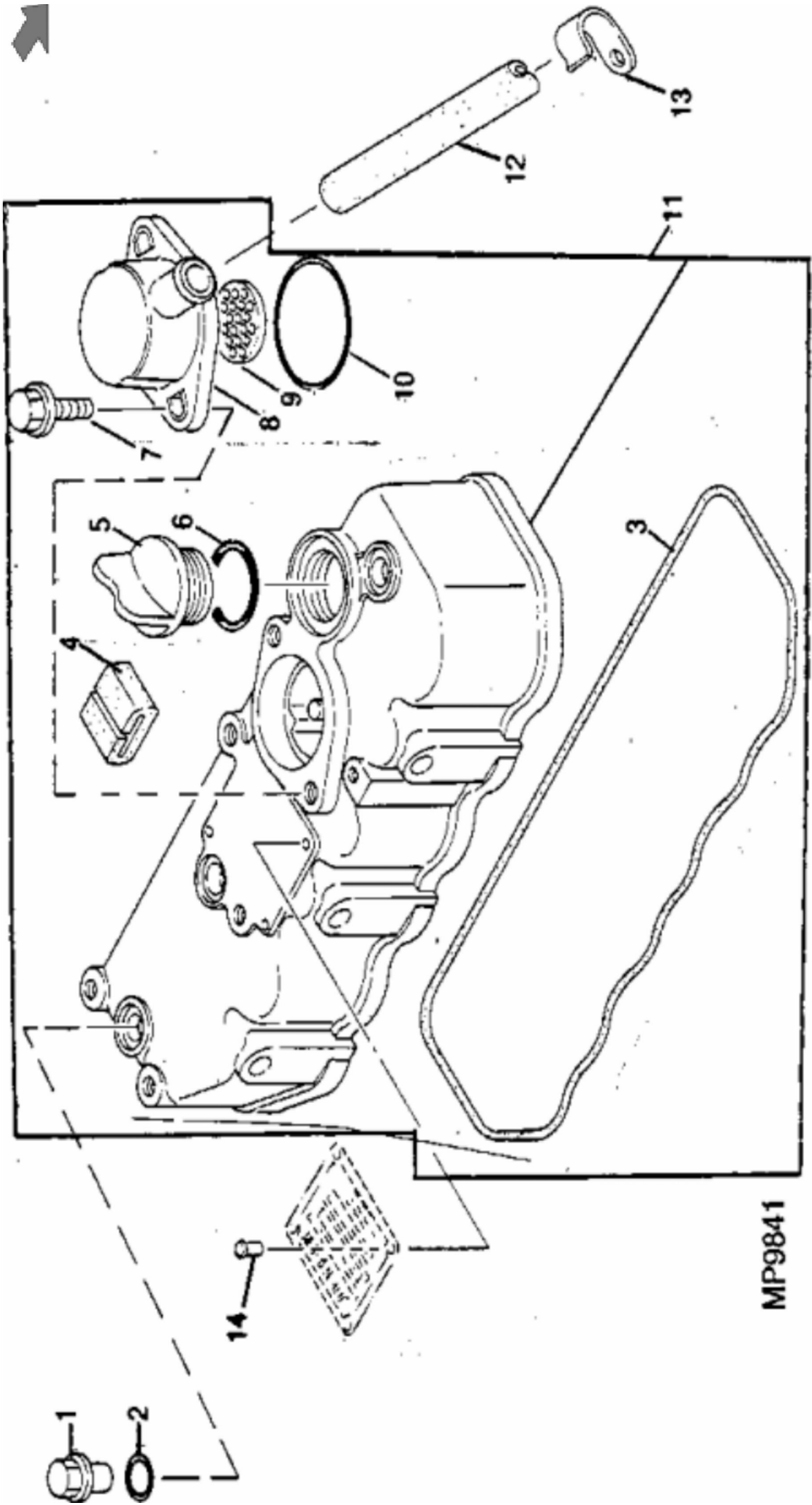
KEY	PART NO.	PART NAME	QTY	REMARKS
1	M805837	ENGINE CYLINDER HEAD GASKET	1	(SUB FOR M804333)
2	M805711	PACKING	1	(SUB FOR CH15414, THIS APPLICATION)
3	M801741	PACKING	1	
4	CH10450	SEAL	3	EXHAUST VALVE
5	T110650	SEAL	3	INTAKE VALVE
6	M801016	SEAL	3	
7	M801017	VALVE SEAT	3	
8	M805833	GASKET	1	INTAKE MANIFOLD, (SUB FOR M801744)
9	M801746	GASKET	1	
10	M805007	GASKET	1	SILENCER, (USE M802662 THIS APPLICATION - NOT PICTURED)
11	CH13814	WASHER	1	
12	M805834	GASKET	1	(SUB FOR M87859)
13	M805835	GASKET	1	(SUB FOR M87860)
14	M801271	GASKET	1	
15	M810666	GASKET	1	(SUB FOR M801269)
16	CH10085	PACKING	2	
17	MIU10630	GASKET	1	HEATER, (SUB FOR M801363)
18	M805836	GASKET	1	HEATER, (SUB FOR M801119)
19	CH15385	WASHER	2	
20	CH10568	PACKING	3	
21	M801034	O-RING	1	
22	CH10643	PACKING	1	
23	AM878183	GASKET KIT	1	GASKET, (SUB FOR AM877666)



**MP8472**

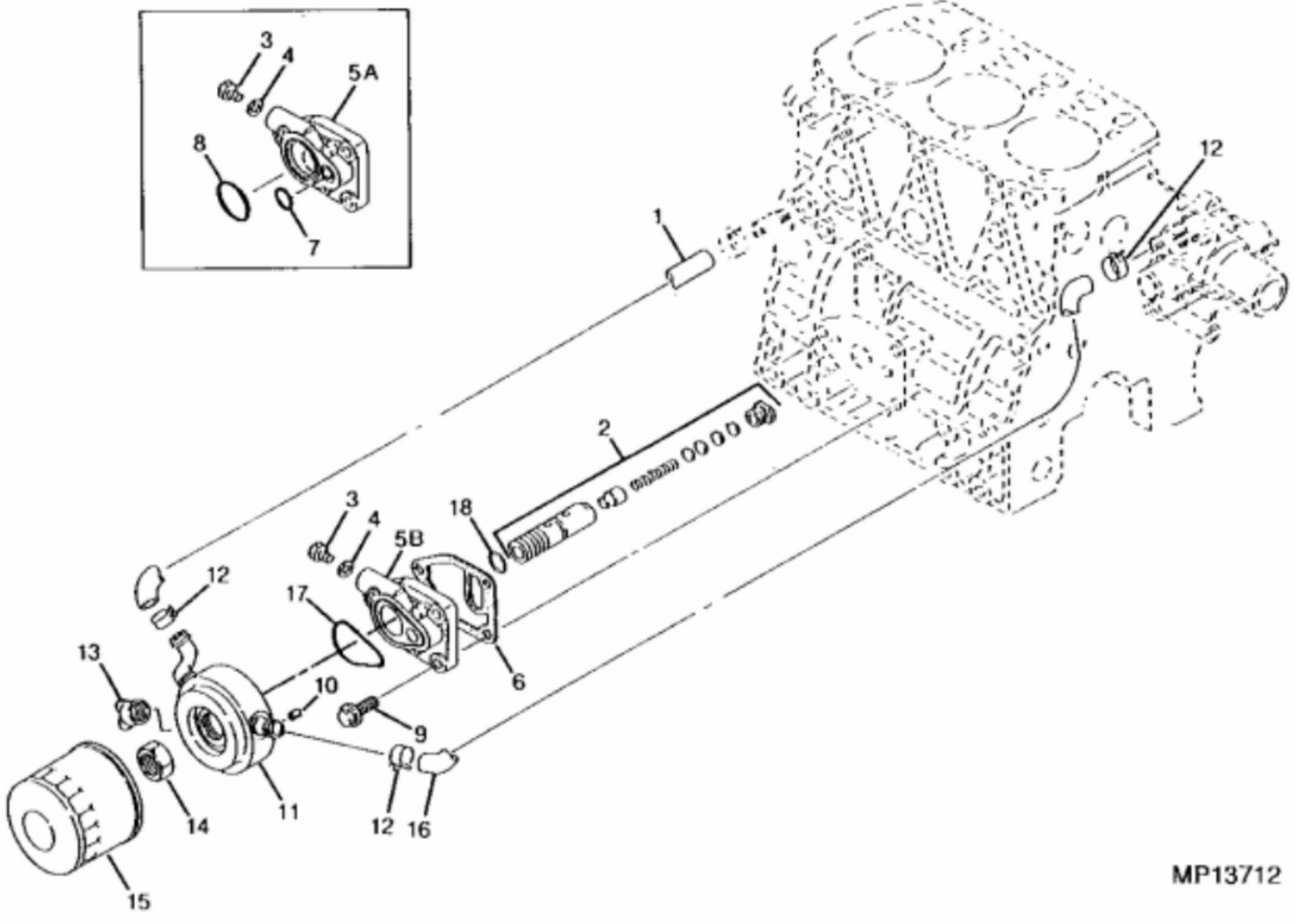


KEY	PART NO.	PART NAME	QTY	REMARKS
1	M801238	PUSH ROD	6	
2	M801046	CAM FOLLOWER	6	
3	M801044	GEAR	1	
4	M801045	SHAFT KEY	1	
5	AM876430	CAMSHAFT	1	ASSEMBLY
6	19M7865	SCREW	2	M8 X 16
7	AM875315	GEAR	1	(WITH BUSHING)
8	M801051	GEAR	1	
9	12M7067	LOCK WASHER	1	12 mm
10	14M7275	NUT	1	M12
11	M801050	BUSHING	1	



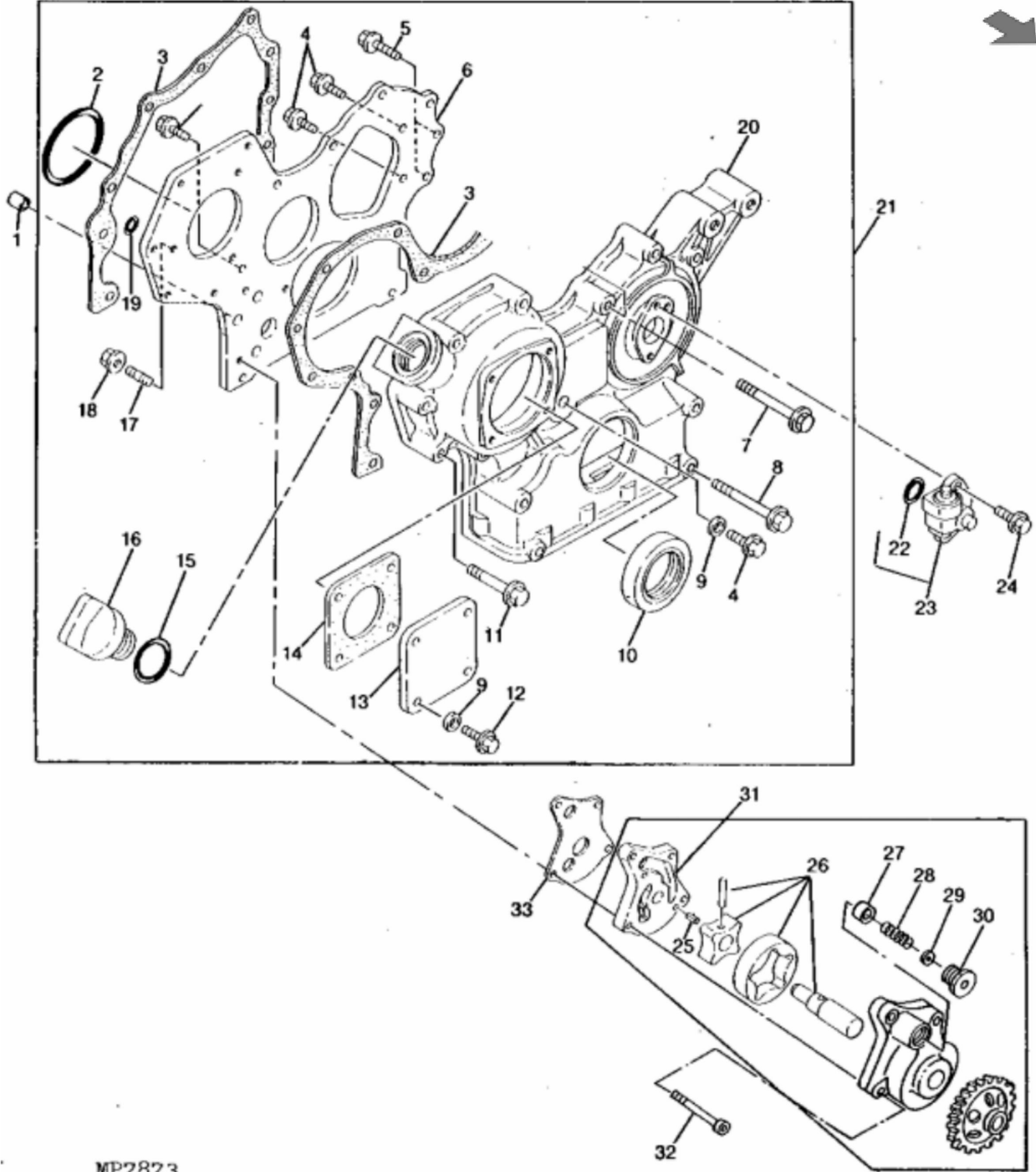
MP9841

KEY	PART NO.	PART NAME	QTY	Serial No.	REMARKS
1	CH10348	NUT	3		
2	CH10568	PACKING	3		
3	M801741	GASKET	1		
4	M801032	DEFLECTOR	1		
5	M805710	CAP	1		(SUB FOR CH10332)
6	M805711	PACKING	1		(SUB FOR CH15414, THIS APPLICATION)
7	19M7865	SCREW	2		M8 X 16
8	M801031	CAP	1		BREATHER
9	M801033	PLATE	1		
10	M801034	O-RING	1		
11	AT110858	VALVE COVER	1		COMPLETE
12	.....	HOSE	1		3' (950 MM), (MAKE FROM M804268) (SUB FOR M801037)
13	R72853	CLAMP	1	____-XXXXXX	(SUB FOR M801038)
13	19M7861	SCREW	1	____-XXXXXX	M6 X 10
14	CH10061	RIVET	4		



MP13712

KEY	PART NO.	PART NAME	QTY	Serial No.	REMARKS
1	M805252	HOSE	1		
2	AM881297	VALVE	1		(SUB FOR AM878892)
3	M805250	PLUG	1		
4	CH10555	WASHER	1		
5A	AM877815	BRACKET	1	____-XXXXXX	(ORDER AM877959 AND M805430)
5B	AM877959	BRACKET	1	XXXXXX-____	
6	M806402	GASKET	1		(SUB FOR M805244)
7	CH10570	O-RING	1	____-XXXXXX	
8	CH14701	O-RING	1	____-XXXXXX	
9	19M7867	SCREW	3		M8 X 25, OIL FILTER
10	M805247	SPRING PIN	1		BRACKET
11	AM877986	OIL COOLER	1		
12	TY22465	HOSE CLAMP	3		(SUB FOR M801273, AR21837)
13	M805439	PLUG	1		OIL PRESSURE
13	M805440	GASKET	1		
14	M89148	NUT	1		
15	M801209	OIL FILTER	1		
16	T110732	HOSE	1		
17	M805430	PACKING	1	XXXXXX-____	
18	CH10570	O-RING	1		



MP7873

**Please write to us.**

**Our email:**

**aservicemanualpdf@yahoo.com**

**Please go to the homepage  
to get the full manual, or  
other brand PDF manuals.**

**Home Site:**

**aservicemanualpdf.com**

**Thank you very much for your reading. Please Click Here. Then Get COMPLETE MANUAL. NO WAITING**

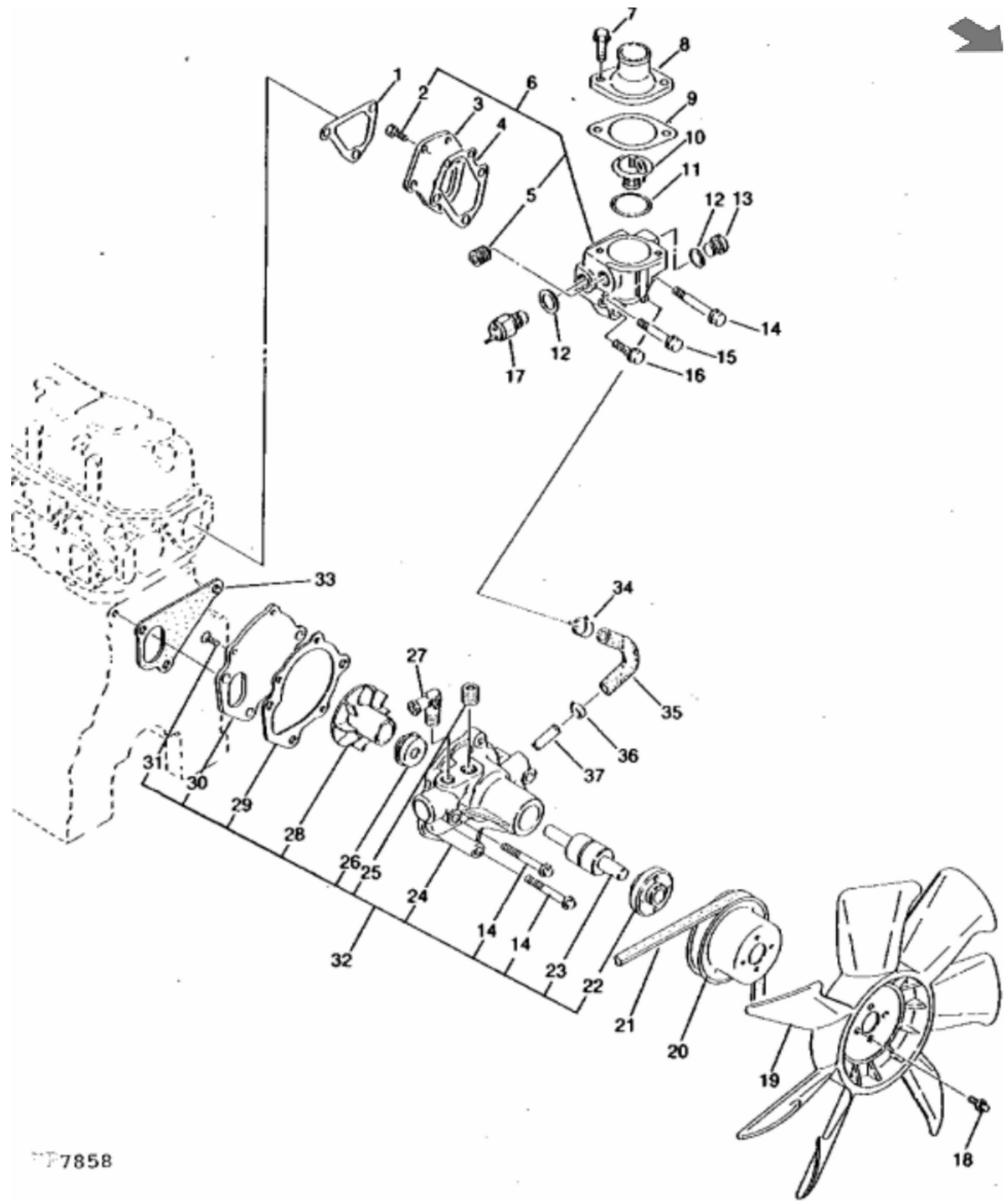


**NOTE:**

**If there is no response to click on the link above, please download the PDF document first and then click on it.**



KEY	PART NO.	PART NAME	QTY	Serial No.	REMARKS
1	M800974	PIPE	2		
2	CH16940	O-RING	1		
3	.....	GASKET	AR		(MAKE FROM M64850 ADHESIVE/SEALANT)
4	19M7865	SCREW	4		M8 X 16
5	19M7866	SCREW	2		M8 X 20
6	M800989	PLATE	1		M8 X 55
7	19M7979	SCREW	3		M8 X 85
8	CH19136	BOLT	4		(SUB FOR CH10645)
9	M806424	WASHER	5		
10	M800988	SEAL	1		
11	CH19101	BOLT	6		M8 X 45
12	19M7864	SCREW	4		M8 X 12
13	CH18096	COVER	1		
14	M805696	GASKET	1		(SUB FOR CH12816)
15	M805711	PACKING	1		(SUB FOR CH15414, THIS APPLICATION)
16	M805710	CAP	1		(SUB FOR CH10332)
17	CH15722	STUD	3		M8 X 22
18	14M7298	FLANGE NUT	3		M8
19	CH10570	O-RING	2		
20	AM875303	COVER	1		(INCLUDES (3) CH15722 STUDS AND M800988 OIL SEAL)
21	AT110877	HOUSING	1		ASSEMBLY
22	CH13526	PACKING	1		
23	AM875580	TACHOMETER	1		(ALSO ORDER CH12241 CABLE)
24	19M7775	SCREW	2		M6 X 16, (SUB FOR M87868)
25	CH15933	PIN	2		(USE WITH T110706 PUMP)
25	CH10539	PIN	2		(USE WITH AM878778 PUMP)
26	AM878786	ROTOR	1		(SUB FOR AM875378)
27	M805269	PISTON	1	____-017229	NLA
28	M805270	SPRING	1	____-017229	
29	M805272	PLATE	1	____-017229	NLA
30	M805271	PLUG	1	____-017229	NLA
31	M1A883558	OIL PUMP	1		SUB FOR AM878778
32	M800676	BOLT	4		
33	M801005	GASKET	1		



777858

KEY	PART NO.	PART NAME	QTY	Serial No.	REMARKS
1	M801271	GASKET	1		HEATER
2	19M8425	CAP SCREW	2		M6 X 16
3	M801270	PLATE	1		CASE
4	M801269	GASKET	1		
5	.....	CASE	1		NSEP (ORDER AM875399)
6	AM882560	CASE	1		THERMOSTAT, (SUB FOR AM875399)
7	19M7866	SCREW	2		M8 X 20
8	CH15535	COVER	1		
9	M805834	GASKET	1		(SUB FOR M87859)
10	M801088	THERMOSTAT	1		
10	M805565	THERMOSTAT	1		82° C (180° F)
11	M805835	GASKET	1		LOWER THERMOSTAT, (SUB FOR M87860)
12	CH13814	WASHER	2		
13	M800312	PLUG	1		
14	19M7801	SCREW	3		M8 X 60
15	19M7800	SCREW	1		M8 X 50
16	19M7867	SCREW	1		M8 X 25
17	CH15516	SWITCH	1		WATER TEMPERATURE
18	CH12349	BOLT	4		(SUB FOR CH18443)
19	M805013	FAN	1		
20	M805012	PULLEY	1		
21	M805011	V-BELT	1		927 MM (36.5")
22	M801259	SEAT	1	_____100000	(SUB AM878201)
23	.....	BEARING	1		NSEP (ORDER AM878201)
24	.....	HOUSING	1		(ORDER AM878201)
25	15H666	PIPE PLUG	1		3/8"
26	CH12895	SEAL	1		
27	T111370	ELBOW FITTING	1		
28	M802028	ROTOR	1		COOLING WATER PUMP
29	M805839	GASKET	1		(SUB FOR M801261)
30	M801260	PLATE	1		
31	CH16851	SCREW	3		
32	AM878201	PUMP	1		(ALSO INCLUDES CH16747 TAPER PLUG), (SUB FOR AM875942)
33	M801265	GASKET	1		WATER PUMP