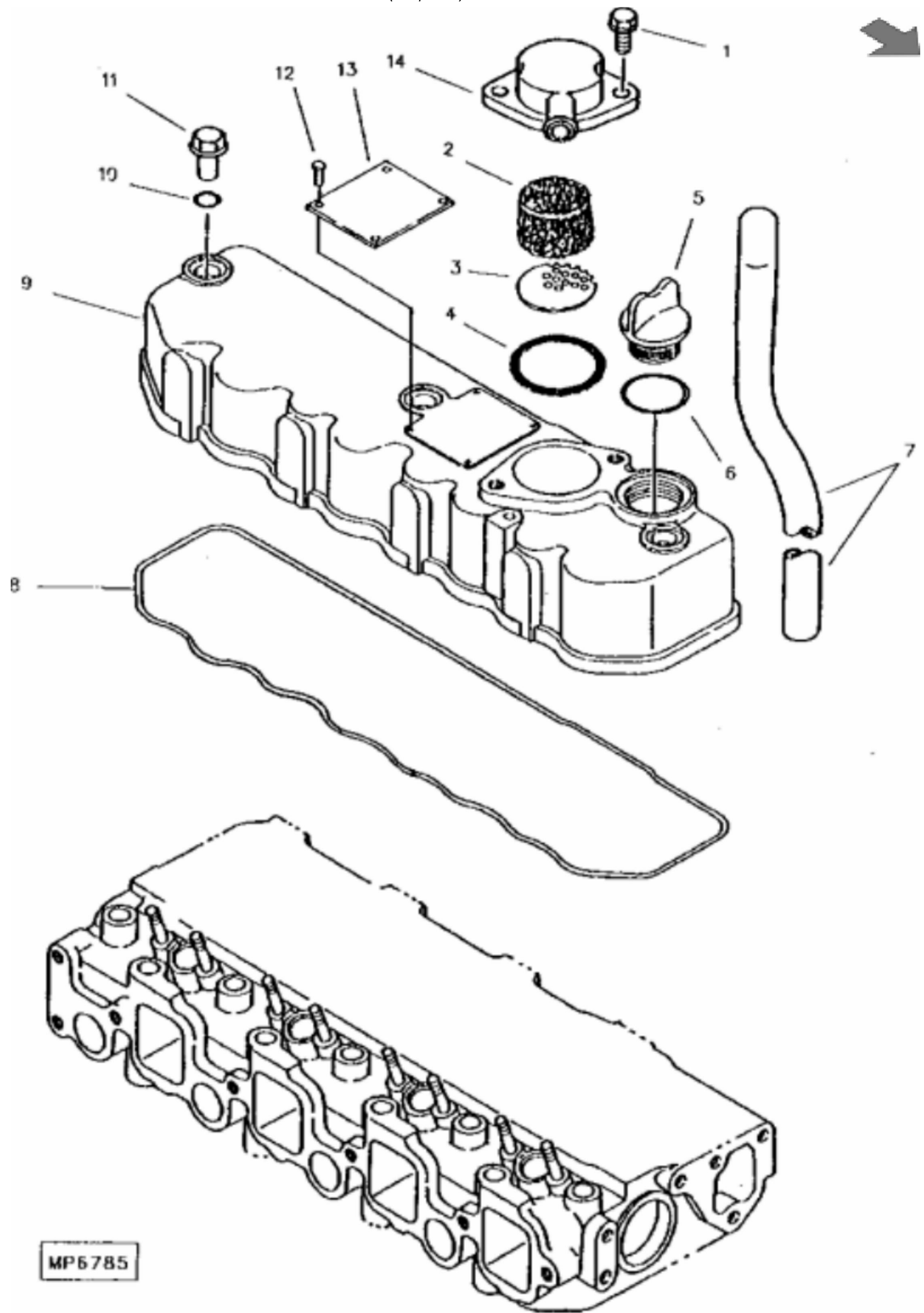


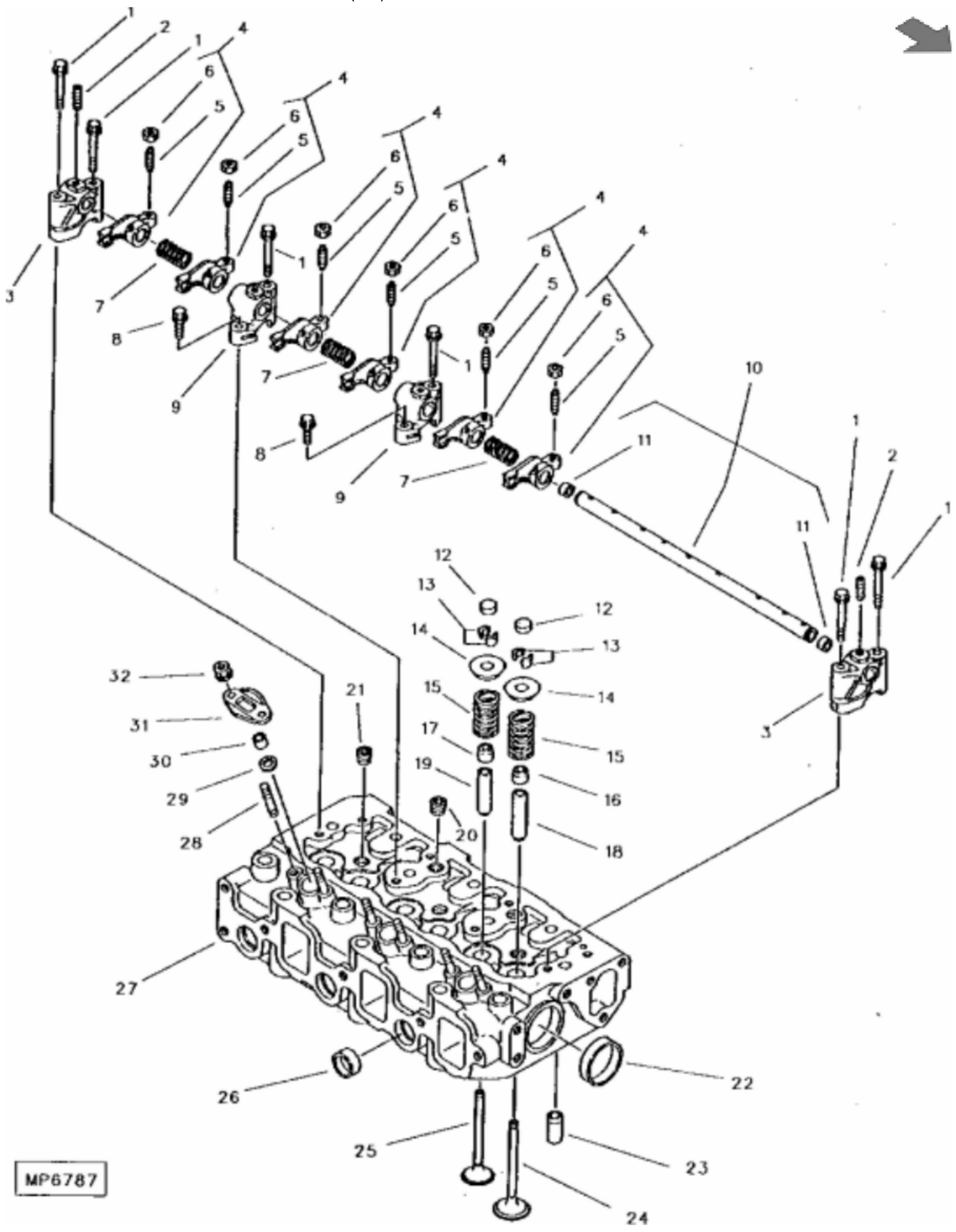
MP6784

KEY	PART NO.	PART NAME	QTY	REMARKS
1	19M7865	SCREW	2	M8 X 16
2	M801031	CAP	1	
3	.....	HOSE	1	(MAKE FROM M804268)
4	M801033	PLATE	1	
5	M801034	O-RING	1	
6	M801032	DEFLECTOR	1	
7	CH10061	RIVET	4	
8	.....	IDENTIFICATION PLATE	1	
9	CH10348	NIUT	3	
10	CH10568	PACKING	3	
11	M805710	CAP	1	
12	M805711	PACKING	1	
13	.....	VALVE COVER	1	(ORDER AT110858)
14	M801741	PACKING	1	



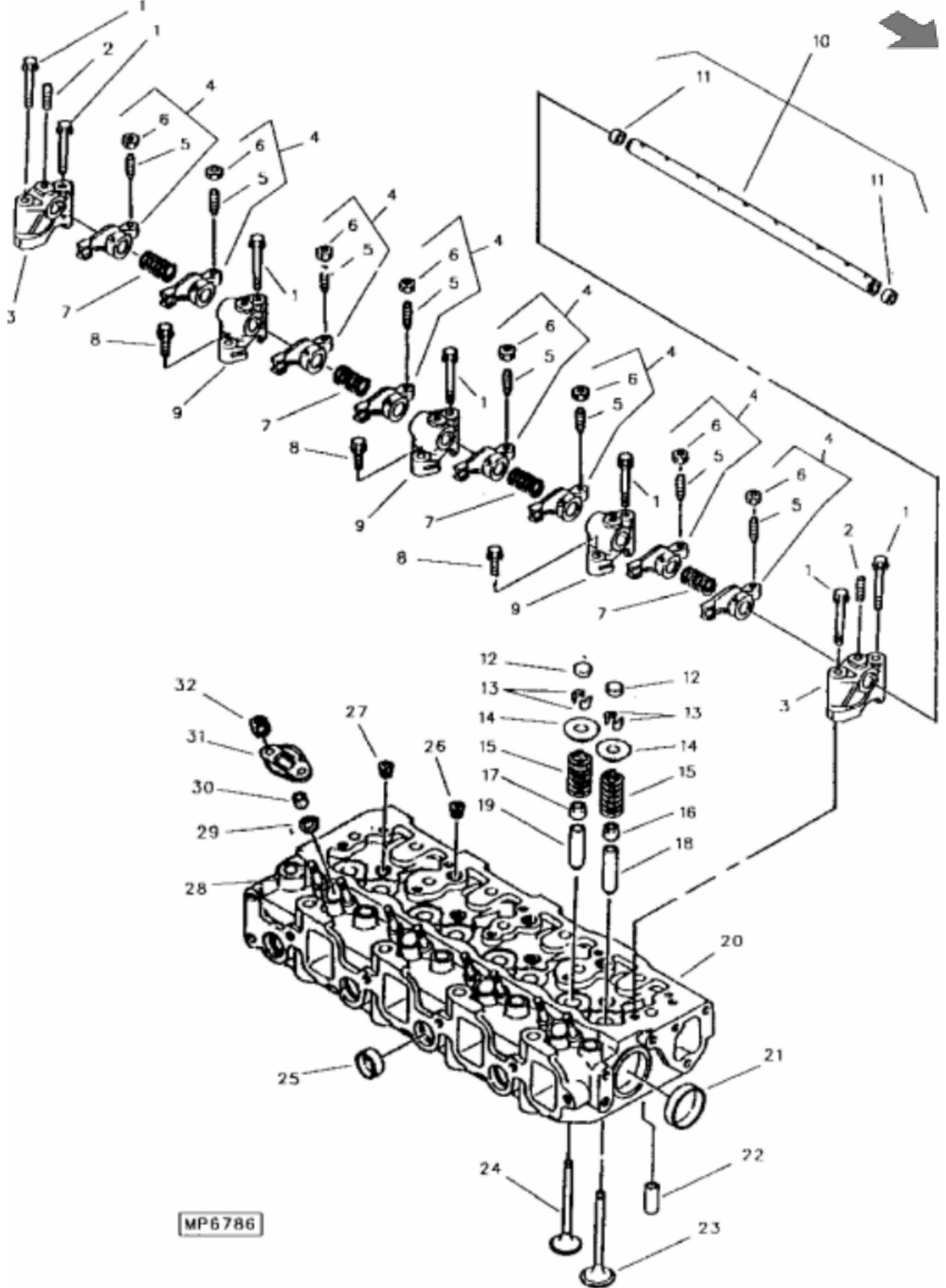
MP6785

KEY	PART NO.	PART NAME	QTY	REMARKS
1	19M7865	SCREW	2	M8 X 16, (A)
2	M801032	DEFLECTOR	1	(A)
3	M801033	PLATE	1	(A)
4	M801034	O-RING	1	(A)
5	M805710	CAP	1	(A)
6	M805711	PACKING	1	(A)
7	.....	HOSE	1	(MAKE FROM M804268)
8	M801230	GASKET	1	(A)
9	.....	VALVE COVER	1	(A) (ORDER RG60621)
10	CH10568	PACKING	3	
11	CH10348	NUT	3	
12	CH10061	RIVET	4	
13	.....	IDENTIFICATION PLATE	1	
14	M801031	CAP	1	(A)
..	RG60621	COVER	1	(INCLUDES PARTS MARKED (A)) (SUB FOR AT110618)



MP6787

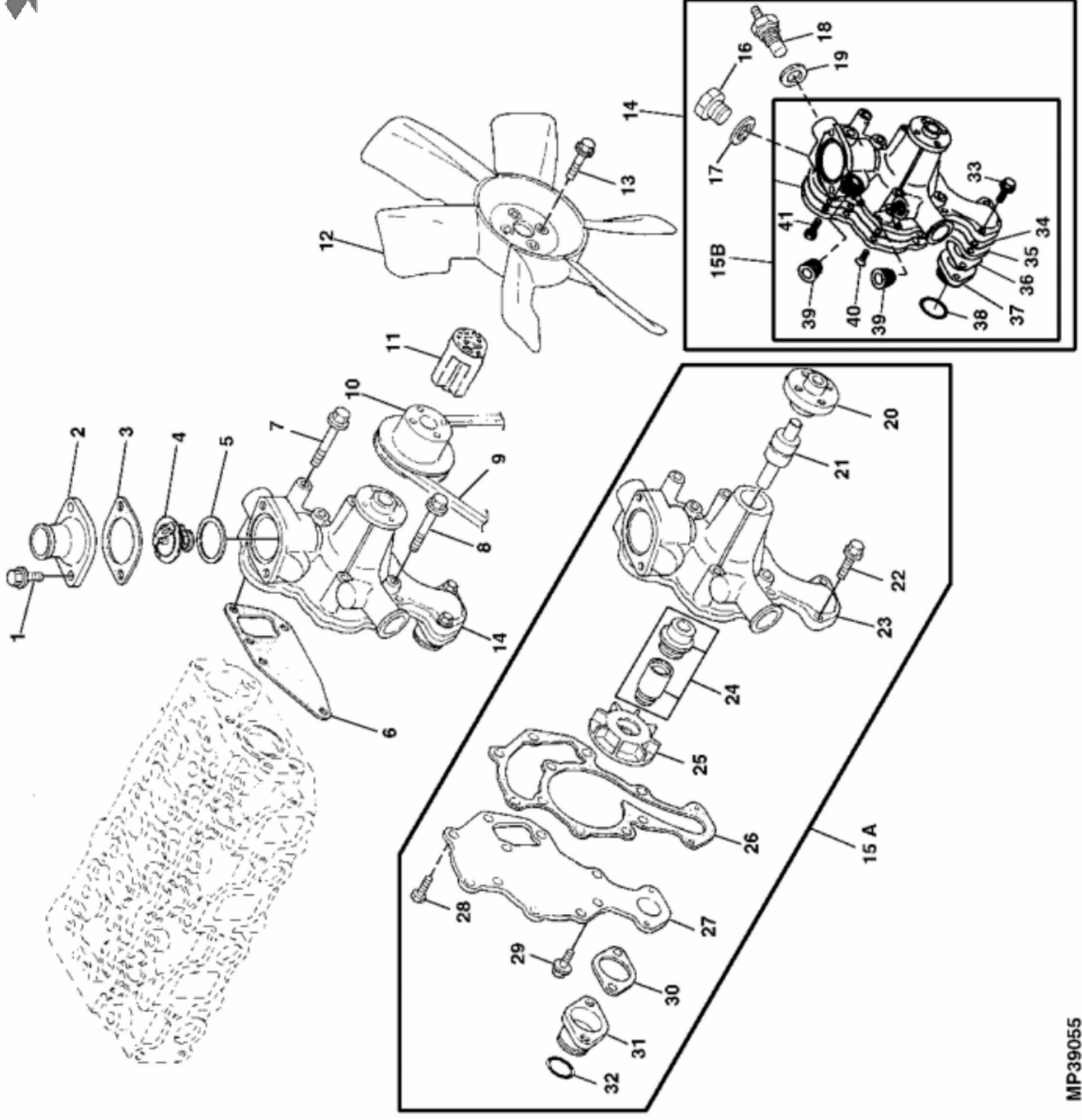
KEY	PART NO.	PART NAME	QTY	REMARKS
1	19M7800	SCREW	6	M8 X 50
2	M801024	STUD	3	
3	M801022	SUPPORT	2	ROCKER ARM
4	AM875383	ARM	6	
5	M801027	SCREW	1	
6	M801028	NUT	1	
7	M801025	SPRING	3	
8	19M7867	SCREW	2	M8 X 25
9	M801023	SUPPORT	2	ROCKER ARM
10	AM875534	SHAFT	1	
11	M800002	PLUG	2	
12	M801224	CAP	6	(A)
13	AM878862	RETAINER KIT	6	(PKG. OF 2 SIDES), (A) VALVE (SUB FOR (2) CH10067)
14	M801223	RETAINER	6	(A) SPRING
15	M801222	SPRING	6	(A) VALVE
16	T110650	SEAL	3	(A) EXHAUST VALVE
17	CH10450	SEAL	3	(A) INTAKE VALVE
18	M801228	GUIDE	3	(A) EXHAUST VALVE
19	M801227	GUIDE	3	(A) INTAKE VALVE
20	CH16747	PLUG	2	(A)
21	CH15002	PLUG	3	(A)
22	CH16751	PLUG	2	(A)
23	M801217	PLUG	3	(A)
24	M811796	EXHAUST VALVE	3	(A) (SUB FOR M801221) (SUB MIU800494)
25	M801220	INTAKE VALVE	3	(A)
26	CH16749	PLUG	3	(A)
27	.....	CYLINDER HEAD	1	(A)
28	M801219	BOLT	6	(A)
29	M801017	VALVE SEAT	3	(A)
30	M801016	SEAL	3	(A) (SUB FOR M810460 OR M806732)
31	M801018	RETAINER	3	(A) NOZZLE
32	14M7303	FLANGE NUT	6	M6, (A)
..	AM876330	CYLINDER HEAD	1	(INCLUDES PARTS MARKED (A))



MP6786

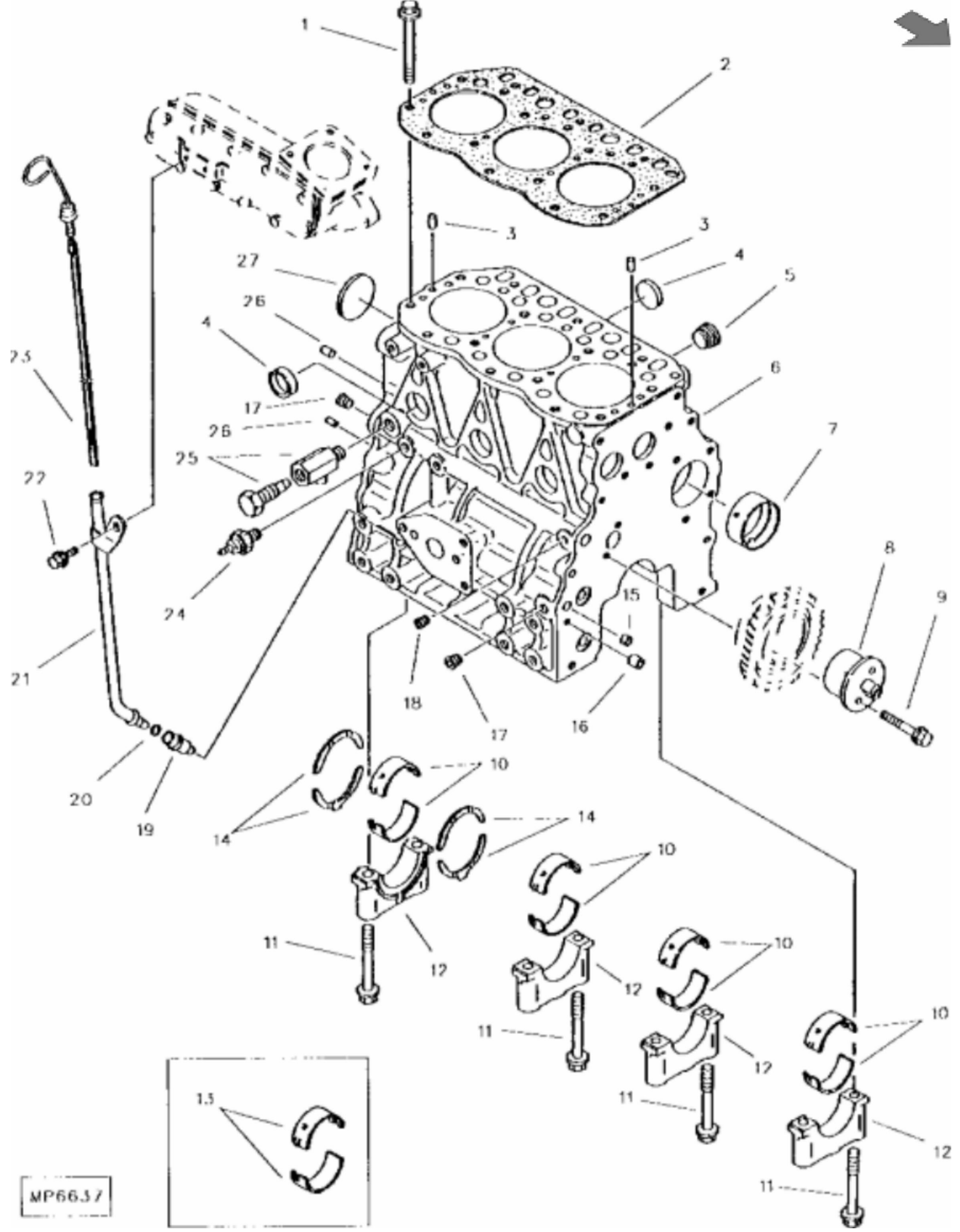
KEY	PART NO.	PART NAME	QTY	REMARKS
1	19M7800	SCREW	7	M8 X 50
2	M801024	STUD	3	
3	M801022	SUPPORT	2	
4	AM875383	ARM	8	
5	M801027	SCREW	1	
6	M801028	NUT	1	
7	M801025	SPRING	4	
8	19M7867	SCREW	3	M8 X 25
9	M801023	SUPPORT	3	
10	AM875382	SHAFT	1	
11	M800002	PLUG	2	
12	M801224	CAP	8	(A)
13	AM878862	RETAINER KIT	8	(PKG. OF 2 SIDES), (A) VALVE (SUB FOR (2) CH10067)
14	M801223	RETAINER	8	(A)
15	M801222	SPRING	8	(A)
16	CH10450	SEAL	4	(A) INTAKE VALVE
17	T110650	SEAL	4	(A) EXHAUST VALVE
18	M801227	GUIDE	4	(A) INTAKE VALVE
19	M801228	GUIDE	4	(A) EXHAUST VALVE
20	.....	CYLINDER HEAD	1	(A)
21	CH16751	PLUG	2	(A)
22	M801217	PLUG	4	(A)
23	M801220	INTAKE VALVE	4	(A)
24	M811796	EXHAUST VALVE	4	(A) (SUB FOR M801221) (SUB MIU800494)
25	CH16749	PLUG	4	(A)
26	CH16747	PLUG	3	(A)
27	CH15002	PLUG	4	(A)
28	M801219	BOLT	8	(A)
29	M801017	VALVE SEAT	4	(A)
30	M801016	SEAL	4	(A) (SUB FOR M810460 OR M806732)
31	M801018	RETAINER	4	(A)
32	14M7303	FLANGE NUT	8	M6
..	AM877263	CYLINDER HEAD	1	(Not Illustrated) NLA, (INCLUDES PARTS MARKED (A))





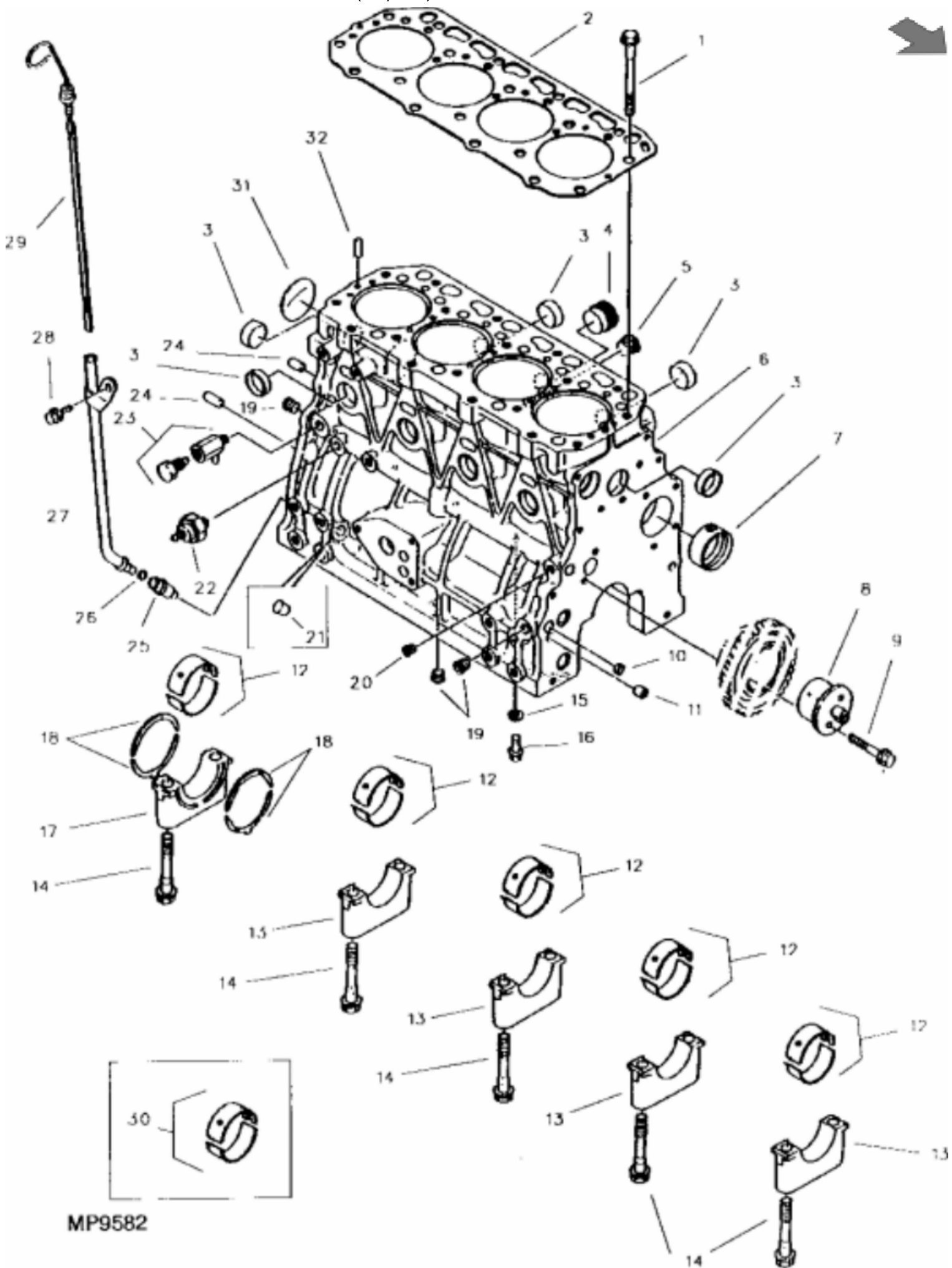
KEY	PART NO.	PART NAME	QTY	870	970	1070	REMARKS
1	19M7866	SCREW	2				M8 X 20
2	CH15535	COVER	1				
3	M805834	GASKET	1				(SUB FOR M87859)
4	M811034	THERMOSTAT	1				(SUB FOR M801088)
5	M805835	GASKET	1				(SUB FOR M87860)
6	M809668	GASKET	1				(SUB FOR M801084)
7	19M7979	BOLT	3				
8	19M7801	BOLT	1				
9	M808685	V-BELT	1				(SUB FOR M802627)
10	M801086	PULLEY	1				
11	M804378	SPACER	1	X			
11	M801762	SPACER	1		X		(PART NOT SHOWN)
12	M800955	FAN	1	X			
12	M805013	FAN	1		X		
13	19M8332	CAP SCREW	4	X			M6 X 90, (ALSO ORDER 24M7054) (SUB FOR M804379)
13	M801763	BOLT	4		X		
14	AM878199	PUMP	1				(SUB FOR AM876431)
15A	AM881340	PUMP	1				(SUB FOR AM876341 OR M805843) (SUB MIA880461)
15B	MIA880461	WATER PUMP	1				
16	M800312	PLUG	1				
17	CH13814	WASHER	1				
18	T110736	SENSOR	1				
19	T110737	GASKET	1				
20	.....	PLATE	1				
21	.....	BEARING	1				
22	19M7862	SCREW	2				M6 X 20, (SUB FOR M87820)
23	.....	HOUSING	1				
24	.....	SEAL	1				
25	.....	IMPELLER	1				
26	M810823	GASKET	1				(SUB FOR M809490)
27	MIU800236	PLATE	1				(SUB FOR M810634 OR M801757)
28	CH10577	BOLT	1				
29	CH19140	BOLT	5				M6 X 14

KEY	PART NO.	PART NAME	QTY	870	970	1070	REMARKS
30	M809491	GASKET	1				NLA; ORDER M810824; PUMP MARKED 42001, 42002
30	M810824	GASKET	1				PUMP MARKED 42003, SUB FOR MIU800684 OR M809491
31	M801758	PIPE	1				(SUB FOR MIU800683)
32	M810636	O-RING	1				(SUB FOR M801760)
33	19M7862	SCREW	2				M6 X 20, (SUB FOR M87820)
34	M810823	GASKET	1				
35	MIU800236	PLATE	1				
36	M810824	GASKET	1				(SUB FOR MIU800684)
37	M801758	PIPE	1				(SUB FOR MIU800683)
38	M810636	O-RING	1				
39	.....	PLUG	2				
40	.....	SCREW	3				
41	19M7560	CAP SCREW	3				M6 X 16



MP6637

KEY	PART NO.	PART NAME	QTY	REMARKS
1	M801186	BOLT	14	
2	M805837	ENGINE CYLINDER HEAD GASKET	1	(SUB FOR M804333)
3	CH18079	SPRING PIN	2	(A)
4	30M7023	PLUG	6	(A)
5	15H562	PIPE PLUG	1	1", (A)
6	.....	CYLINDER BLOCK	1	(A)
7	M800977	BUSHING	1	(A) CAMSHAFT
8	M800978	SHAFT	1	(A) IDLE GEAR
9	CH19101	BOLT	2	(A)
10	AM875371	BEARING KIT	4	(A)
11	M801189	BOLT	8	(A)
12	.....	BEARING CAP	4	(A)
13	M1A880550	BEARING	4	.25MM (.010") US, (SUB FOR AM875374)
14	M1A880555	BEARING	2	(A) THRUST, (SUB FOR AM875373)
15	M87801	PLUG	2	(A)
16	M800974	PIPE	2	(A)
17	CH10335	PLUG	3	(A)
18	15H558	PIPE PLUG	1	1/8", (A)
19	M89143	GUIDE	1	DIPSTICK
20	CH10571	PACKING	1	
21	M802620	GUIDE	1	
22	19M7864	SCREW	1	M8 X 12
23	M802621	DIPSTICK	1	
24	M809526	SWITCH	1	(SUB FOR CH15500)OIL PRESSURE
25	AM100800	DRAIN VALVE	1	
26	M802255	PIN	2	(A)
27	M806840	PLUG	1	(A) (SUB FOR M800973)
..	AM877288	CYLINDER BLOCK	1	(INCLUDES PARTS MARKED (A))
..	M1A882672	SHORT BLOCK ASSEMBLY	1	SUB FOR AM878464

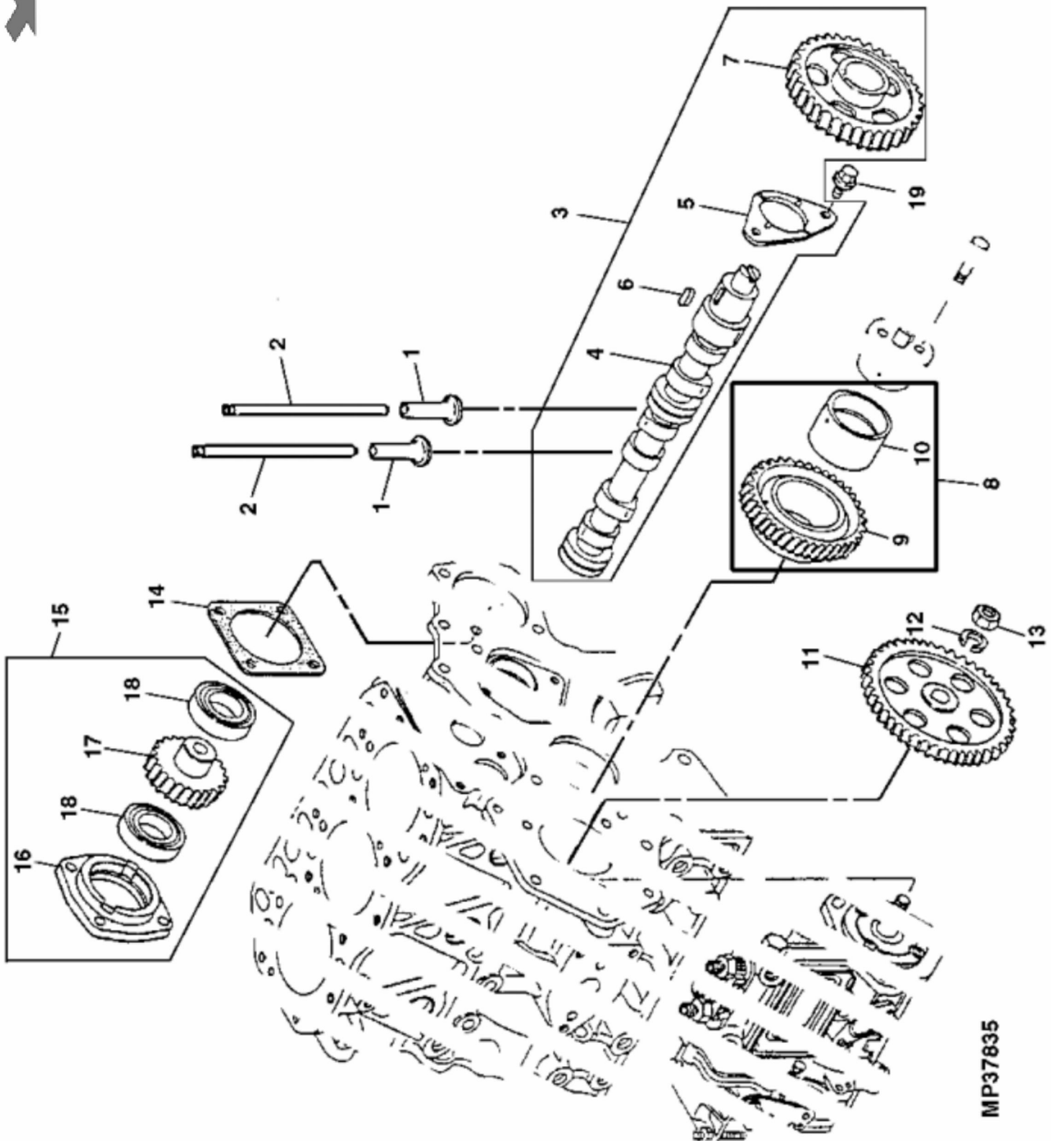


MP9582

KEY	PART NO.	PART NAME	QTY	970	1070	REMARKS
1	M801186	BOLT	18			
2	M805849	ENGINE CYLINDER HEAD GASKET	1	X		(SUB FOR M801187)
2	M805850	ENGINE CYLINDER HEAD GASKET	1		X	(SUB FOR M804334)
3	30M7023	PLUG	8			(A) (B)
4	15H562	PIPE PLUG	1			1", (A) (B)
5	CH15002	PLUG	1			(A) (B)
6	.....	CYLINDER BLOCK	1			(A) (B)
7	M800977	BUSHING	1			(A) (B)
8	M800978	SHAFT	1			(A) (B) IDLER
9	CH19101	BOLT	2			(A) (B)
10	M87801	PLUG	2			(A) (B)
11	M800974	PIPE	2			(A) (B)
12	AM875371	BEARING KIT	4			(A) (B) STD
13	.....	BEARING CAP	4			(A) (B)
14	M801189	BOLT	10			(A) (B)
15	CH10554	PACKING	4			(A) (B)
16	19M7864	SCREW	4			M8 X 12
17	.....	BEARING CAP	1			
18	M1A880555	BEARING	2			(A) (B) (SUB FOR AM875373)
19	CH10335	PLUG	2			(A) (B)
20	15H558	PIPE PLUG	1			1/8", (A) (B)
21	T113961	PLUG	1			(A) (B)
22	M809526	SWITCH	1			(SUB FOR CH15500)OIL PRESSURE
23	AM100800	DRAIN VALVE	1			
24	M802255	PIN	2			(A) (B)
25	M89143	GUIDE	1			
26	CH10571	PACKING	1			
27	M804373	DIPSTICK	1			
28	19M7864	SCREW	1			M8 X 12, (A) (B)
29	M801732	DIPSTICK	1			
30	M1A880550	BEARING	5			.25MM (.010") OS, (SUB FOR AM875374)
31	M806840	PLUG	1			(A) (B) (SUB FOR M800973)
32	CH18079	SPRING PIN	2			(A) (B)
..	AM877292	CYLINDER BLOCK	1	X		(INCLUDES PARTS MARKED (A))
..	AM877290	CYLINDER BLOCK	1		X	(INCLUDES PARTS MARKED (B))

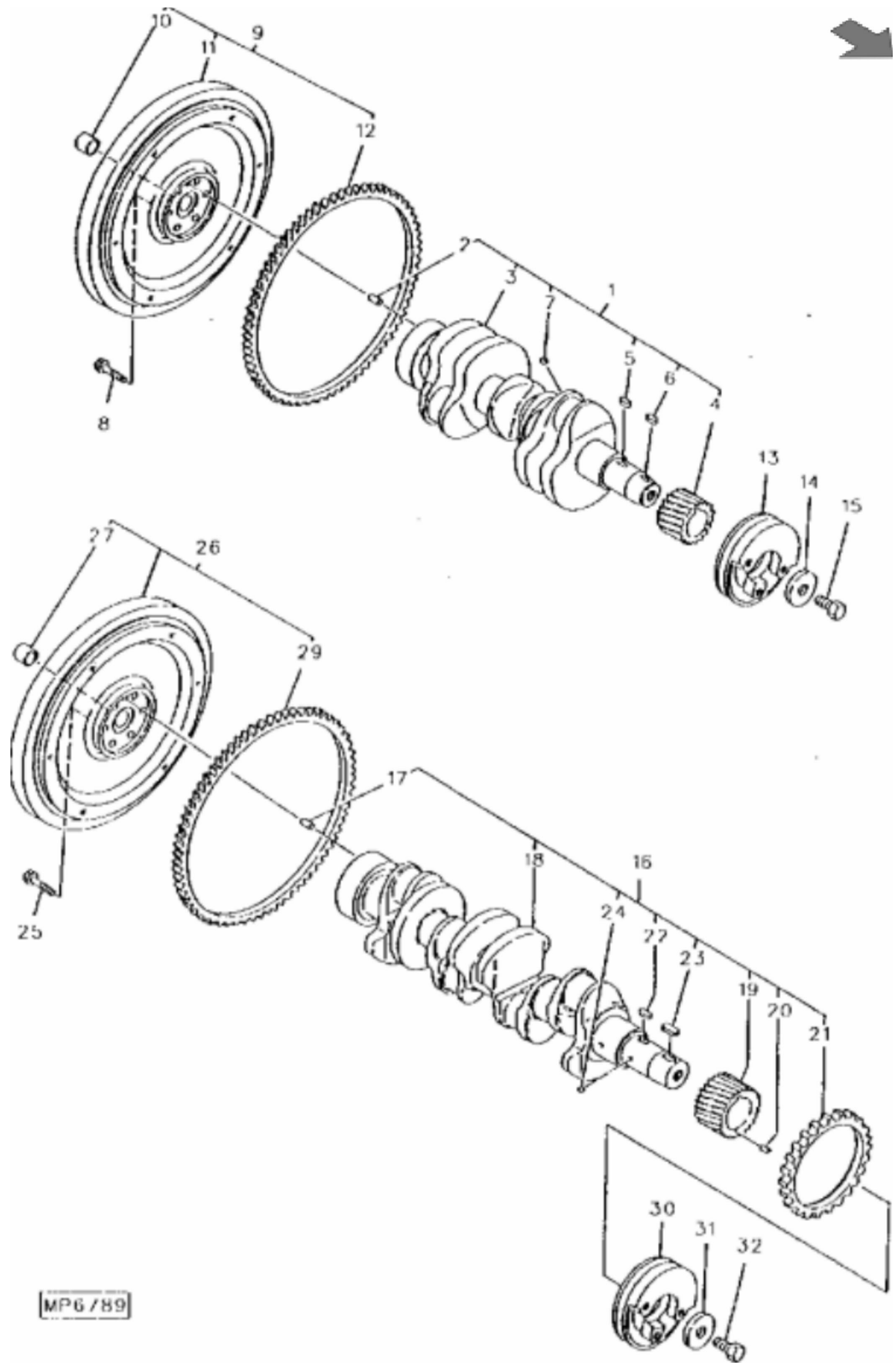
KEY	PART NO.	PART NAME	QTY	970	1070	REMARKS
..	AM877291	SHORT BLOCK ASSEMBLY	1	X		
..	AM877289	SHORT BLOCK ASSEMBLY	1		X	





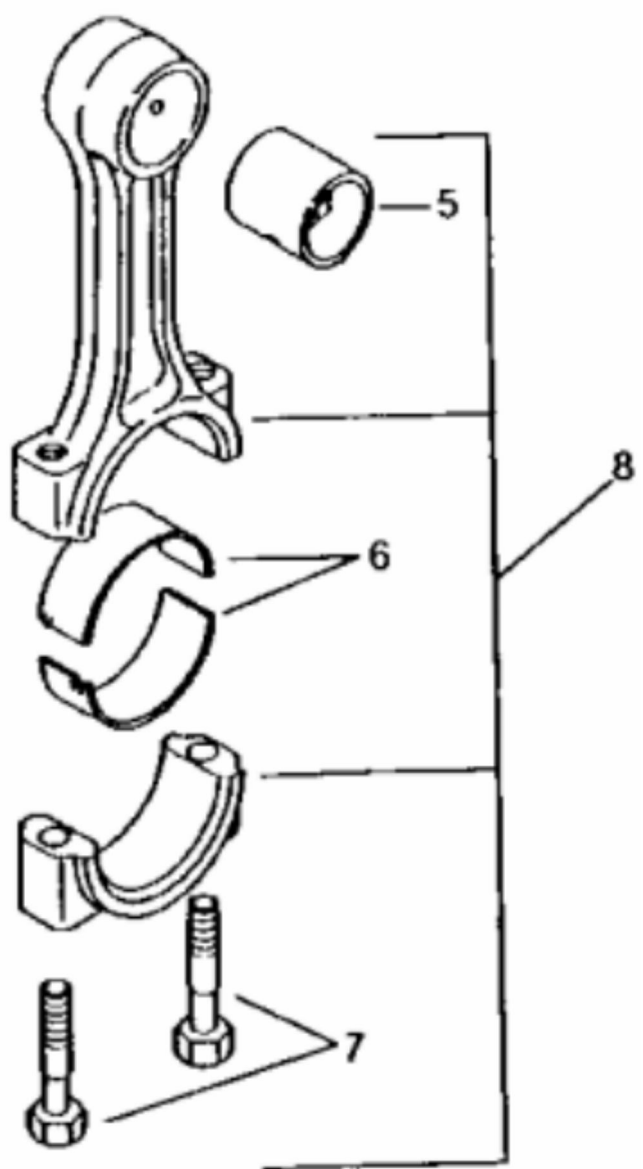
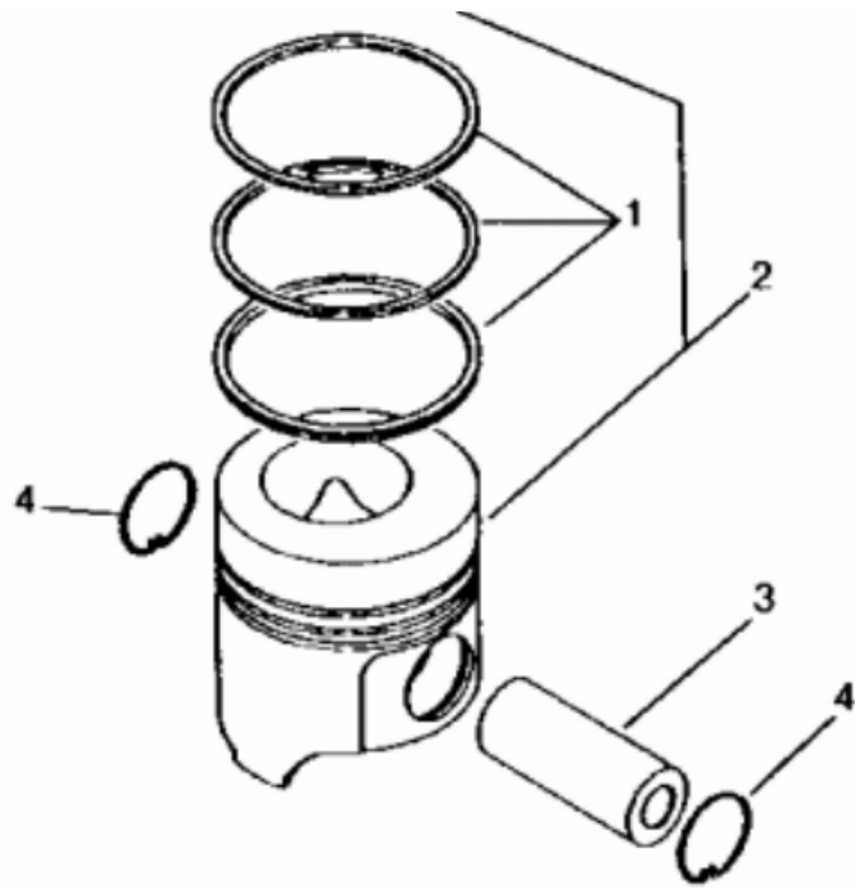
MP37835

KEY	PART NO.	PART NAME	QTY	870	970	1070	REMARKS
1	M801046	CAM FOLLOWER	8		X	X	
1	M801046	CAM FOLLOWER	6	X			
2	M801238	PUSH ROD	8		X	X	
2	M801238	PUSH ROD	6	X			
3	AM875386	CAMSHAFT	1		X	X	
3	AM876430	CAMSHAFT	1	X			
4	.....	CAMSHAFT	1				
5	.....	THRUST BEARING	1				
6	M801045	SHAFT KEY	1				
7	.....	GEAR	1				CAMSHAFT
8	AM875315	GEAR	1				
9	.....	GEAR	1				
10	M801050	BUSHING	1				
11	M801239	GEAR	1				FI PUMP
12	12M7067	LOCK WASHER	1				12 mm
13	14M7275	NUT	1				M12
14	M805840	GASKET	1				(SUB FOR M87850)
15	AM876339	GEAR	1				HO PUMP
16	M802618	BRACKET	1				
17	.....	GEAR	1				HO PUMP
18	CH13505	BALL BEARING	2				
19	19M7865	SCREW	2				M8 X 16



MP6/89

KEY	PART NO.	PART NAME	QTY	870	970	1070	REMARKS
1	AM876335	CRANKSHAFT	1	X			
2	M802255	PIN	1	X			
3	.....	CRANKSHAFT	1	X			
4	M801053	GEAR	1	X			(NLA) CRANKSHAFT
5	M801045	SHAFT KEY	1	X			
6	M802614	SHAFT KEY	1	X			
7	400R	BALL	1	X			(SUB FOR CH14955)
8	CH19291	BOLT	6	X			FLYWHEEL
9	AM877269	FLYWHEEL	1	X			
10	JD9449	BALL BEARING	1	X			
11	.....	FLYWHEEL	1	X			
12	CH10466	GEAR	1	X			RING
13	M802617	PULLEY	1	X			
14	M801055	WASHER	1	X			
15	CH16798	BOLT	1	X			PULLEY
16	AM877268	CRANKSHAFT	1		X	X	
17	M802255	PIN	1		X	X	
18	.....	CRANKSHAFT	1		X	X	
19	M801053	GEAR	1		X	X	(NLA) CRANKSHAFT
20	CH16793	PIN	1		X	X	
21	M804355	GEAR	1		X	X	BALANCER, (SUB M810309)
22	M801045	SHAFT KEY	1		X	X	
23	M802614	SHAFT KEY	1		X	X	
24	400R	BALL	1		X	X	(SUB FOR CH14955)
25	CH19291	BOLT	6		X	X	FLYWHEEL
26	AM877270	FLYWHEEL	1		X	X	
27	JD9449	BALL BEARING	1		X	X	
28	.....	FLYWHEEL	1		X	X	
29	CH10466	GEAR	1		X	X	RING
30	M811298	CRANKSHAFT	1		X	X	PULLEY, (SUB FOR M804359)
31	M801055	WASHER	1		X	X	
32	CH16798	BOLT	1		X	X	PULLEY



MP7954

KEY	PART NO.	PART NAME	QTY	870	970	1070	REMARKS
1	AM877273	PISTON RING KIT	3	X			STD
1	AM875390	PISTON RING KIT	4		X		STD
1	AM877273	PISTON RING KIT	4			X	STD
1	AM877294	PISTON RING KIT	3	X			.25 MM (.010") OS
1	AM875394	PISTON RING KIT	4		X		.25 MM (.010") OS
1	AM877294	PISTON RING KIT	4			X	.25 MM (.010") OS
1	AM878245	PISTON RING KIT	3	X			.50 MM (.020") OS
1	AM878243	PISTON RING KIT	4		X		.50 MM (.020") OS
1	AM878245	PISTON RING KIT	4			X	.50 MM (.020") OS
2	AM877272	PISTON	3	X			STD
2	AM875389	PISTON	4		X		STD
2	AM877272	PISTON	4			X	STD
2	AM877293	PISTON	3	X			.25 MM (.010") OS
2	AM875393	PISTON	4		X		.25 MM (.010") OS
2	AM877293	PISTON	4			X	.25 MM (.010") OS
2	AM878244	PISTON	3	X			.50 MM (.020") OS
2	AM878242	PISTON	4		X		.50 MM (.020") OS
2	AM878244	PISTON	4			X	.50 MM (.020") OS
3	M801246	PISTON PIN	1				
4	M801247	RETAINER	2				PISTON PIN
5	M801256	BEARING	1				PISTON PIN
6	MIA880563	BEARING	1				STD, (SUB FOR AM875392)
6	MIA880568	BEARING	1				.25 MM (.010") OS, (SUB FOR AM875395)
7	CH15483	BOLT	2				
8	AM875391	CONNECTING ROD	3	X			
8	AM875391	CONNECTING ROD	4		X		

**Please write to us.**

**Our email:**

**aservicemanualpdf@yahoo.com**

**Please go to the homepage  
to get the full manual, or  
other brand PDF manuals.**

**Home Site:**

**aservicemanualpdf.com**

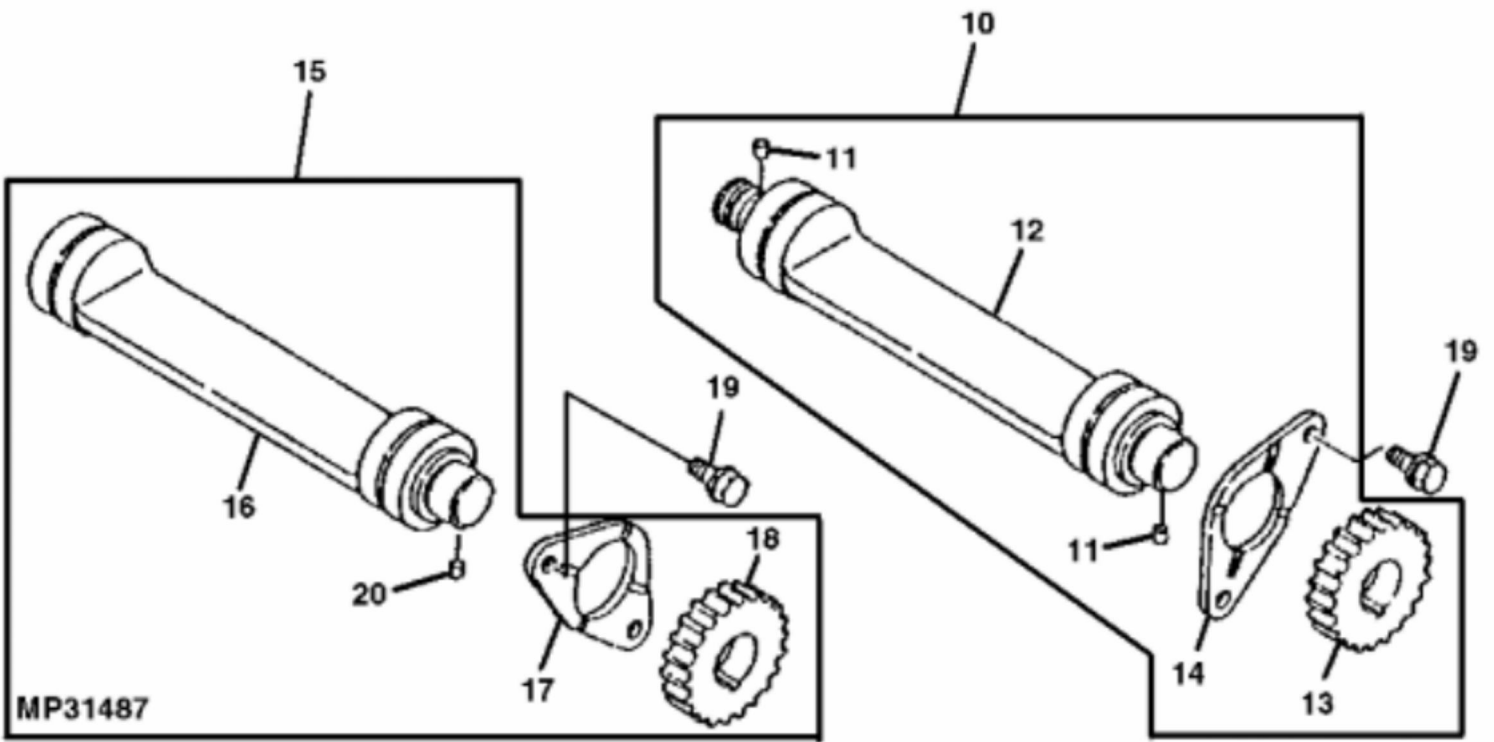
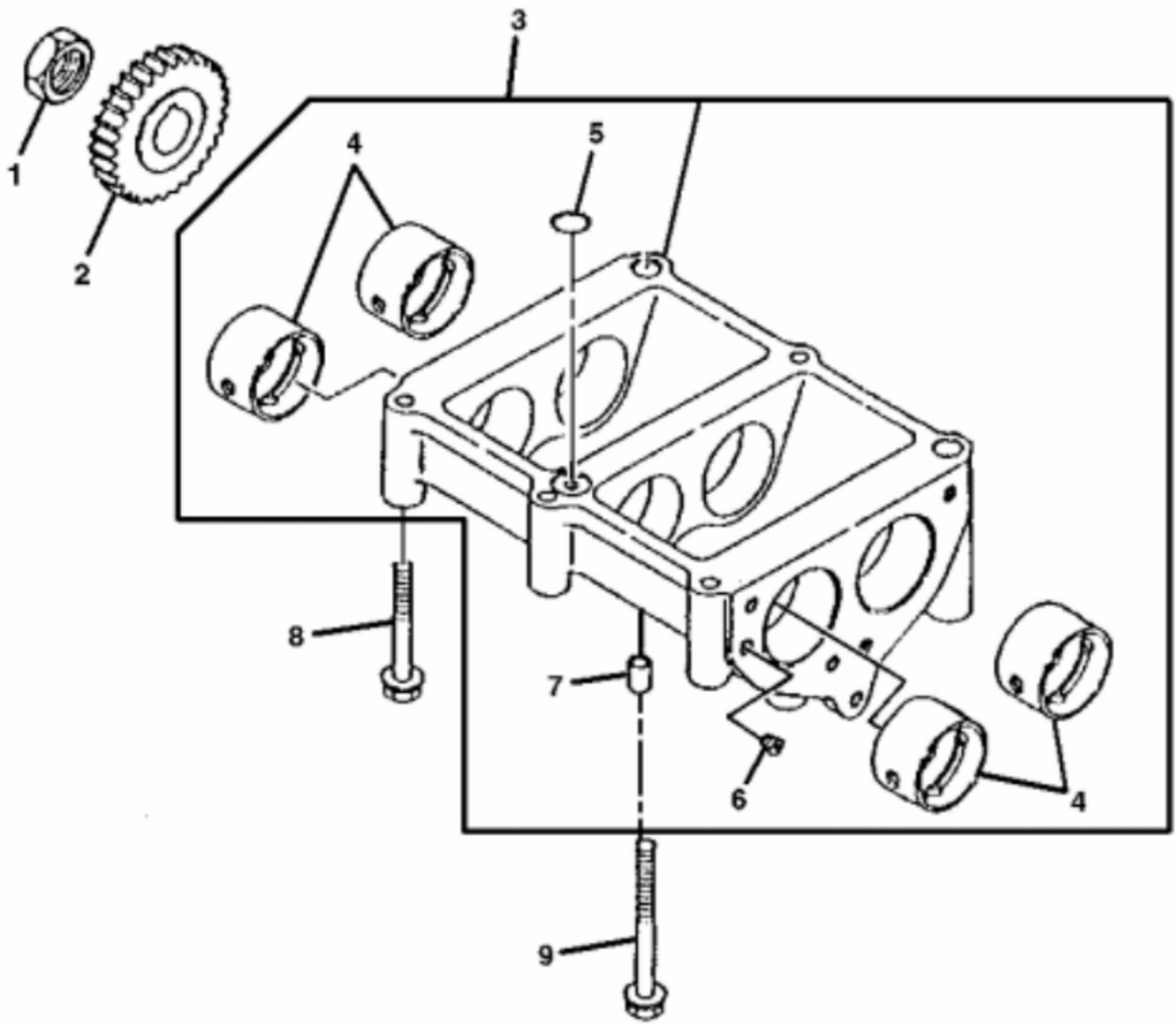
**Thank you very much for your reading. Please Click Here. Then Get COMPLETE MANUAL. NO WAITING**



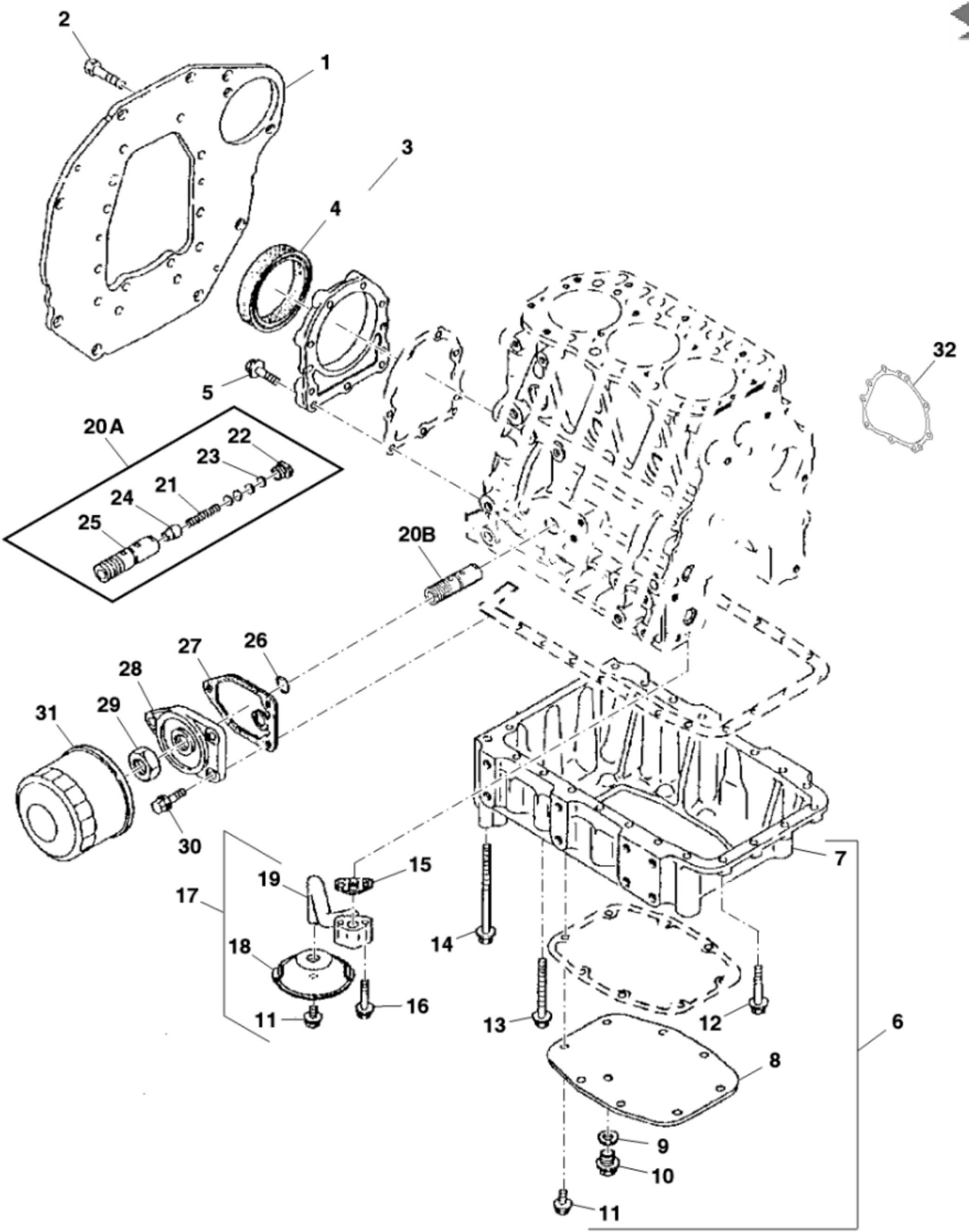
**NOTE:**

**If there is no response to click on the link above, please download the PDF document first and then click on it.**





KEY	PART NO.	PART NAME	QTY	REMARKS
1	M804364	NUT	1	(A) (NILA)
2	M804368	GEAR	1	(A) BALANCER
3	AM877275	BALANCER	1	(A)
4	.....	BUSHING	4	(A)
5	CH10569	PACKING	1	(A)
6	AT211699	FITTING PLUG	1	(A) (SUB FOR CH19109)
7	M804365	PIN	2	(A)
8	19M7801	BOLT	4	
9	M87885	BOLT	2	
10	AM877276	KIT	1	(A) BALANCER SHAFT
11	CH16793	PIN	2	(A)
12	.....	SHAFT	1	(A)
13	M804370	GEAR	1	(A) BALANCER
14	M804371	THRUST BEARING	1	(A)
15	AM877277	KIT	1	(A) BALANCER SHAFT
16	.....	SHAFT	1	(A) BALANCER
17	M804371	THRUST BEARING	1	
18	M804370	GEAR	1	BALANCER
19	19M7865	BOLT	4	
20	CH16793	PIN	1	(A)
..	AM877274	BALANCER	1	(INCLUDES PARTS MARKED (A))



PU04786