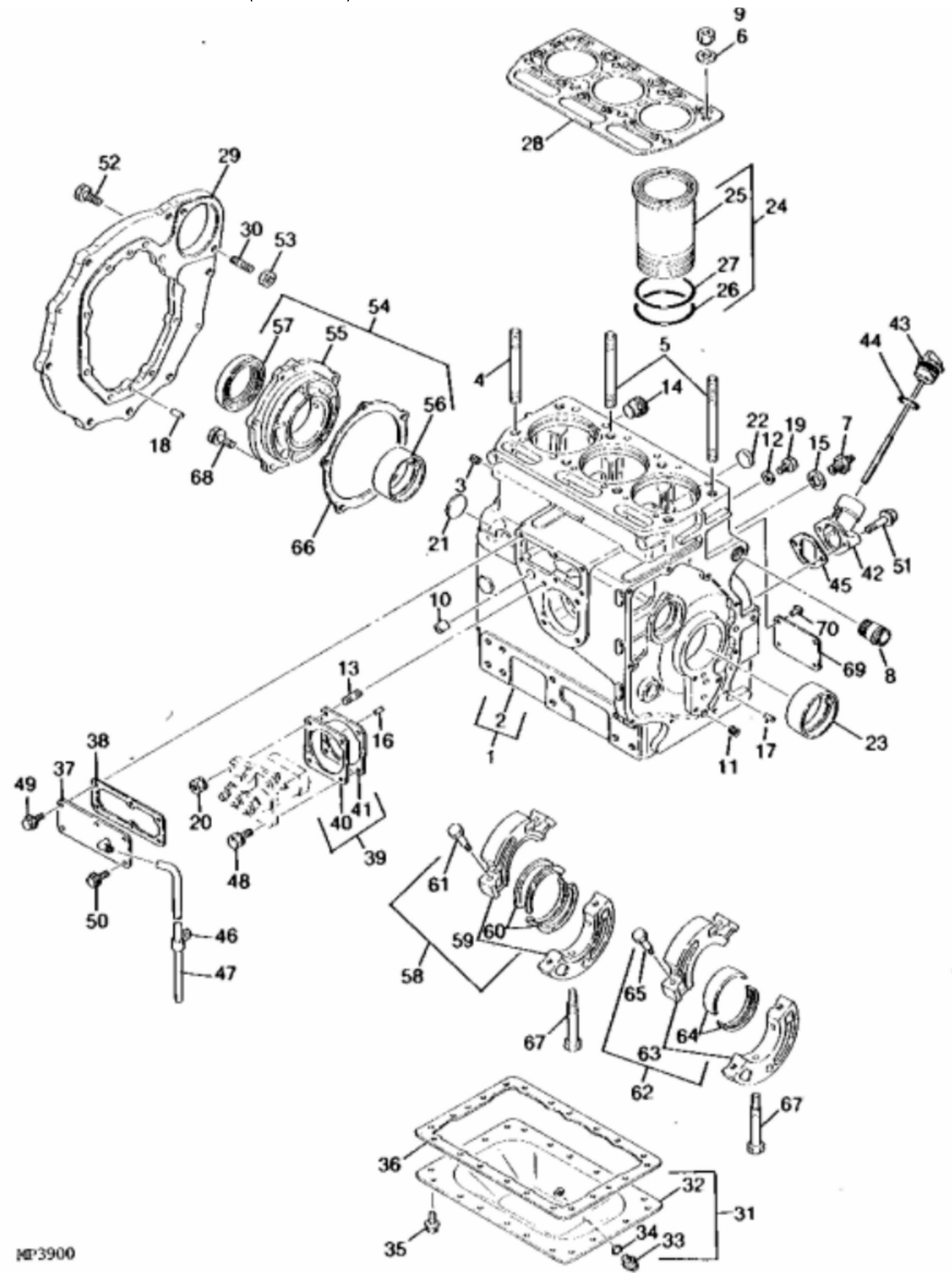


MP3900

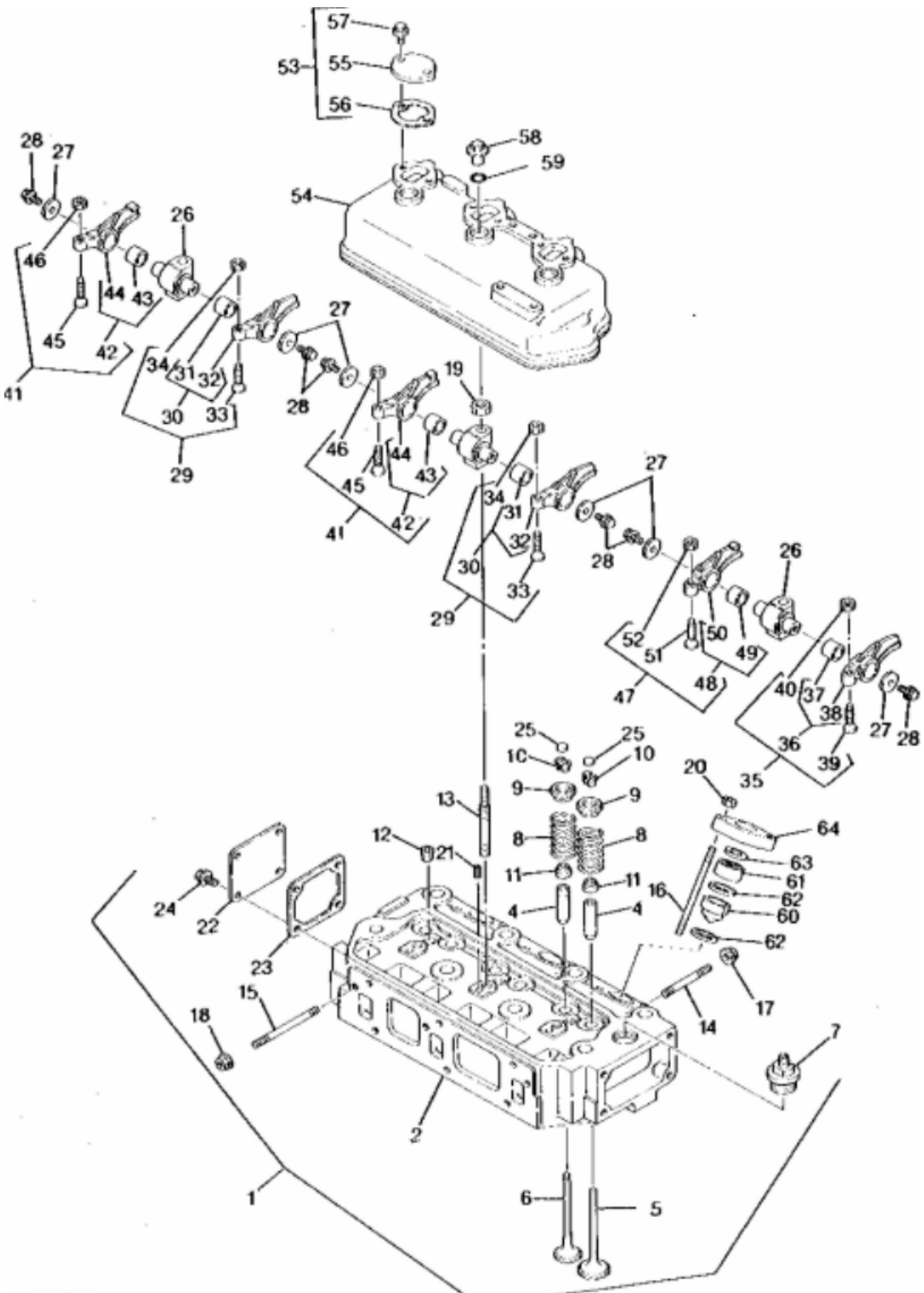
KEY	PART NO.	PART NAME	QTY	REMARKS
1	AM875291	CYLINDER BLOCK	1	(AM875559 SHORT BLOCK)
2	CYLINDER BLOCK	1	(AM875291 CYLINDER BLOCK) (AM875559 SHORT BLOCK) (SUB CH12048) (REFER TO SEPARATE BREAKDOWN)
3	CH10314	PLUG	2	(AM875291 CYLINDER BLOCK) (AM875559 SHORT BLOCK)
4	CH10325	BOLT	1	(AM875291 CYLINDER BLOCK) (AM875559 SHORT BLOCK) 133MM LONG
5	CH10326	BOLT	1	(AM875291 CYLINDER BLOCK) (AM875559 SHORT BLOCK) 145MM LONG
6	CH10065	WASHER	8	(AM875291 CYLINDER BLOCK) (AM875559 SHORT BLOCK)
7	CH10273	FITTING	1	(AM875291 CYLINDER BLOCK) (AM875559 SHORT BLOCK) WATER DRAIN
8	CH10363	PIPE	1	(AM875291 CYLINDER BLOCK) (AM875559 SHORT BLOCK) RADIATOR HOSE
9	CH10087	NUT	8	(AM875291 CYLINDER BLOCK) (AM875559 SHORT BLOCK)
10	CH10465	BUSHING	1	(AM875291 CYLINDER BLOCK) (AM875559 SHORT BLOCK)
11	CH10335	PLUG	1	(AM875291 CYLINDER BLOCK) (AM875559 SHORT BLOCK)
12	CH10183	PACKING	3	(AM875291 CYLINDER BLOCK) (AM875559 SHORT BLOCK) NLA
13	CH15722	STUD	2	(AM875291 CYLINDER BLOCK) (AM875559 SHORT BLOCK)
14	15H562	PIPE PLUG	1	(AM875291 CYLINDER BLOCK) (AM875559 SHORT BLOCK) 1"
15	CH10391	PACKING	1	(AM875291 CYLINDER BLOCK) (AM875559 SHORT BLOCK)
16	CH10532	PIN	1	(AM875291 CYLINDER BLOCK) (AM875559 SHORT BLOCK)
17	CH10534	PIN	2	(AM875291 CYLINDER BLOCK) (AM875559 SHORT BLOCK)
18	CH10535	PIN	2	(AM875291 CYLINDER BLOCK) (AM875559 SHORT BLOCK)
19	CH10561	PLUG	3	(AM875291 CYLINDER BLOCK) (AM875559 SHORT BLOCK)
20	NUT	2	(AM875291 CYLINDER BLOCK) (AM875559 SHORT BLOCK) (SUB 14M7273 AND 12M7065)
21	CH10641	PLUG	1	(AM875291 CYLINDER BLOCK) (AM875559 SHORT BLOCK)
22	CH10642	PLUG	2	(AM875291 CYLINDER BLOCK) (AM875559 SHORT BLOCK)
23	CH10338	THRUST BEARING	1	(AM875291 CYLINDER BLOCK) (AM875559 SHORT BLOCK)
24	CH13597	CYLINDER LINER	3	(AM875559 SHORT BLOCK)
25	CYLINDER LINER	3	(AM875559 SHORT BLOCK) (SUB CH13597)
26	CH13580	O-RING	3	(AM875559 SHORT BLOCK)
27	CH10327	PACKING	3	(AM875559 SHORT BLOCK)

KEY	PART NO.	PART NAME	QTY	REMARKS
28	MIU800109	GASKET	1	(SUB FOR CH10115)
29	CH10116	FLANGE	1	
30	CH10389	STUD	2	
31	CH15733	OIL PAN	1	
32	OIL PAN	1	(SUB CH15733)
33	CH10315	PLUG	1	
34	CH10569	PACKING	1	
35	CH19780	BOLT	20	(SUB FOR CH12839)
36	CH12820	GASKET	1	
37	CH10179	COVER	1	
38	CH12815	GASKET	1	
39	CH12808	SHIM KIT	1	SHIM
40	SHIM	2	0.2MM, (SUB CH12808)
41	SHIM	2	0.3MM, (SUB CH12808)



MP3900

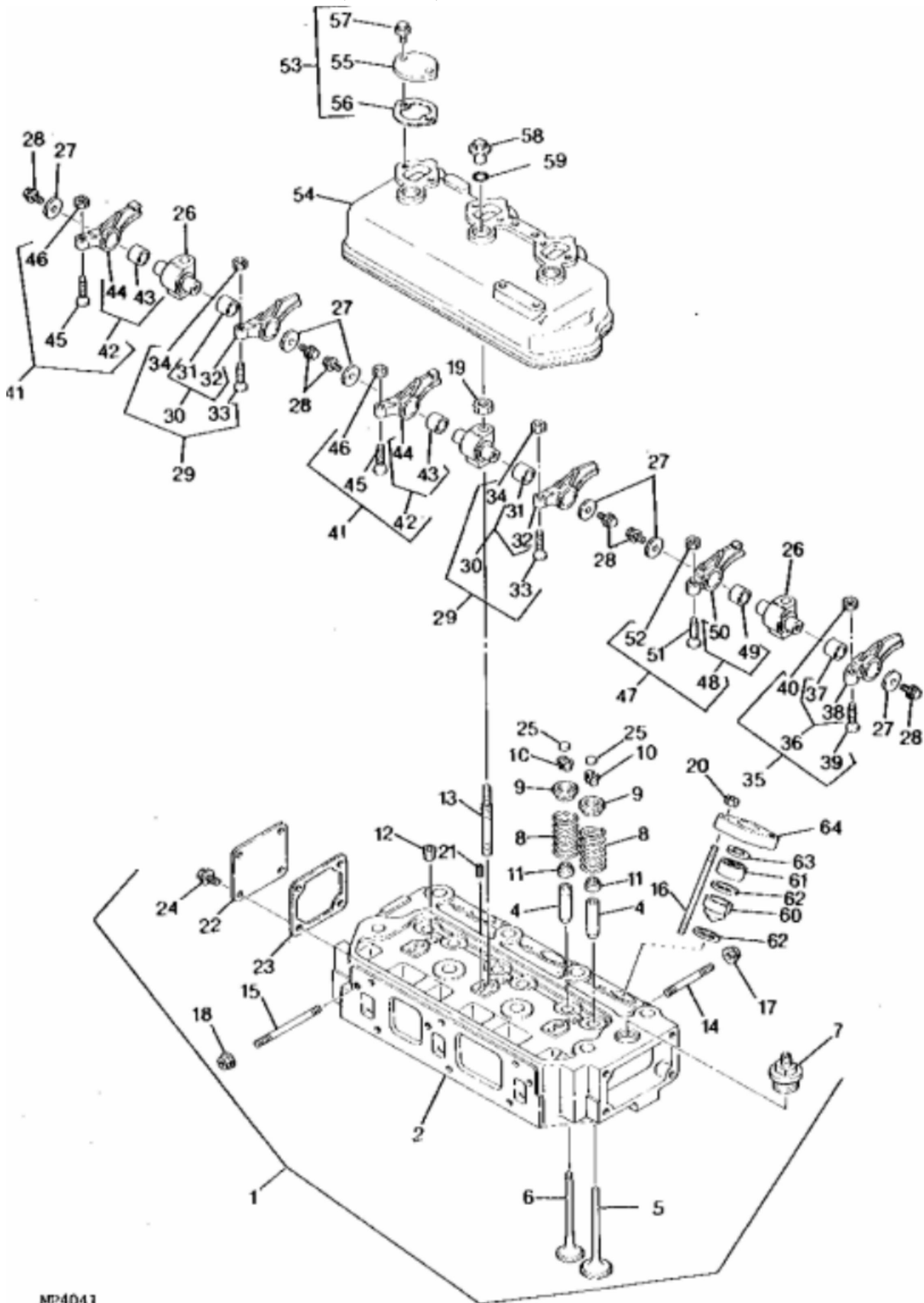
KEY	PART NO.	PART NAME	QTY	REMARKS
42	CH10173	FLANGE	1	
43	CH10119	DIPSTICK	1	(NLA)
44	CH15414	PACKING	1	
45	CH12818	GASKET	1	
46	CH10331	CLAMP	1	
47	CH10552	PIPE	1	
48	SCREW	2	(SUB 19M7376 AND 12M7065)
49	19M7774	SCREW	4	M6 X 12
50	CH19140	BOLT	2	
51	19M7897	SCREW	2	M8 X 35
52	CH13938	BOLT	8	
53	14M7275	NUT	2	M12
54	CH10681	HOUSING	1	(AM875559 SHORT BLOCK) NLA
55	HOUSING	1	(AM875559 SHORT BLOCK) (SUB CH10681)
56	CH10338	THRUST BEARING	1	(AM875559 SHORT BLOCK)
57	CH10340	SEAL	1	(AM875559 SHORT BLOCK)
58	CH14050	HOUSING	1	(AM875559 SHORT BLOCK)
59	HOUSING	1	(AM875559 SHORT BLOCK) (SUB CH14050)
60	AM875925	BEARING	2	(AM875559 SHORT BLOCK)
61	CH12840	BOLT	2	(AM875559 SHORT BLOCK)
62	CH14051	HOUSING	1	(AM875559 SHORT BLOCK)
63	HOUSING	1	(AM875559 SHORT BLOCK) (SUB CH14051)
64	AM875926	THRUST BEARING	2	(AM875559 SHORT BLOCK)
65	CH12840	BOLT	2	(AM875559 SHORT BLOCK)
66	CH10339	GASKET	1	(AM875559 SHORT BLOCK)
67	CH10124	BOLT	2	(AM875559 SHORT BLOCK)
68	BOLT	5	(SUB 12M7066 AND 19M7402)
69	DECALS	1	(NOT AVAILABLE)
70	CH10061	RIVET	4	
..	AM875559	SHORT BLOCK ASSEMBLY	1	(INCLUDES RINGS, PINS, GEARS, SHAFTS, PISTONS, GASKETS, CAMSHAFT, CRANKSHAFT, OIL PUMP AND HARDWARE)



MP4041

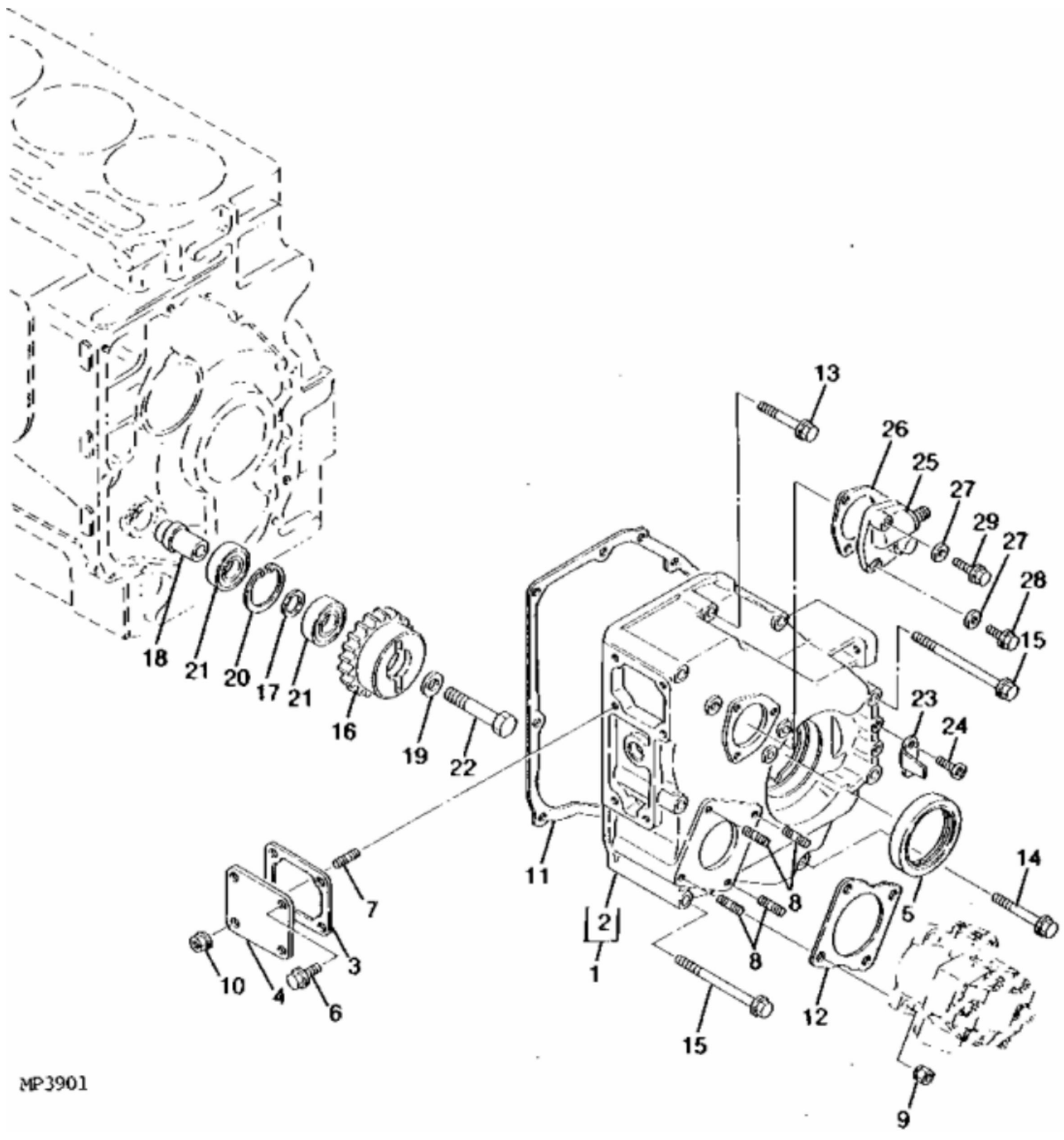
KEY	PART NO.	PART NAME	QTY	REMARKS
1	AM877960	CYLINDER HEAD	1	(SUB FOR CH13639)
2	CYLINDER HEAD	1	(INCLUDED IN AM877960) (SUB AM877960)
4	CH16043	GUIDE	3	(INCLUDED IN AM877960) INTAKE
4	CH16044	GUIDE	3	(INCLUDED IN AM877960) EXHAUST
5	CH10055	VALVE	3	(INCLUDED IN AM877960)
6	CH10056	VALVE	3	(INCLUDED IN AM877960)
7	CH19841	ORIFICE	1	(INCLUDED IN AM877960)
8	CH10086	SPRING	6	(INCLUDED IN AM877960)
9	CH10343	HOLDER	6	(INCLUDED IN AM877960)
10	CH10054	RETAINER	6	(INCLUDED IN AM877960) NLA; ORDER AM100828
10	AM100828	RETAINER KIT	6	
11	CH10346	SEAL	6	(INCLUDED IN AM877960)
12	15H559	PIPE PLUG	3	(INCLUDED IN AM877960) 1/4"
13	CH10347	STUD	3	(INCLUDED IN AM877960)
14	CH10206	STUD	2	(INCLUDED IN AM877960)
15	CH10225	STUD	6	(INCLUDED IN AM877960)
16	CH12381	STUD	6	(INCLUDED IN AM877960)
17	14M7298	FLANGE NUT	2	(INCLUDED IN AM877960) M8
18	NUT	6	(INCLUDED IN AM877960) (SUB 14M7273 AND 12M7065)
19	14M7274	NUT	3	(INCLUDED IN AM877960) M10, (SUB FOR CH18389)
20	14M7298	FLANGE NUT	6	(INCLUDED IN AM877960) M8
21	CH18079	SPRING PIN	3	(INCLUDED IN AM877960)
22	CH10401	COVER	1	(INCLUDED IN AM877960)
23	CH10402	GASKET	1	(INCLUDED IN AM877960)
24	19M7864	SCREW	4	(INCLUDED IN AM877960) M8 X 12
25	CH12585	CAP	6	
26	CH14191	SUPPORT	3	(NLA)
27	CH18176	WASHER	6	
28	CH19095	BOLT	6	
29	CH14196	KIT	2	ROCKER ARM (NLA) (SUB COMPONENTS)
30	INTAKE VALVE	2	
31	BUSHING	2	
32	VALVE	2	
33	CH10107	SCREW	2	
34	14M7273	NUT	2	(INCLUDED IN AM877960) M8

KEY	PART NO.	PART NAME	QTY	REMARKS
35	CH14199	KIT	1	ROCKER ARM (NLA) (SUB COMPONENTS)
36	VALVE	1	INTAKE
37	BUSHING	1	
38	VALVE	1	
39	CH10107	SCREW	1	
40	14M7273	NUT	1	(INCLUDED IN AM87960) M8



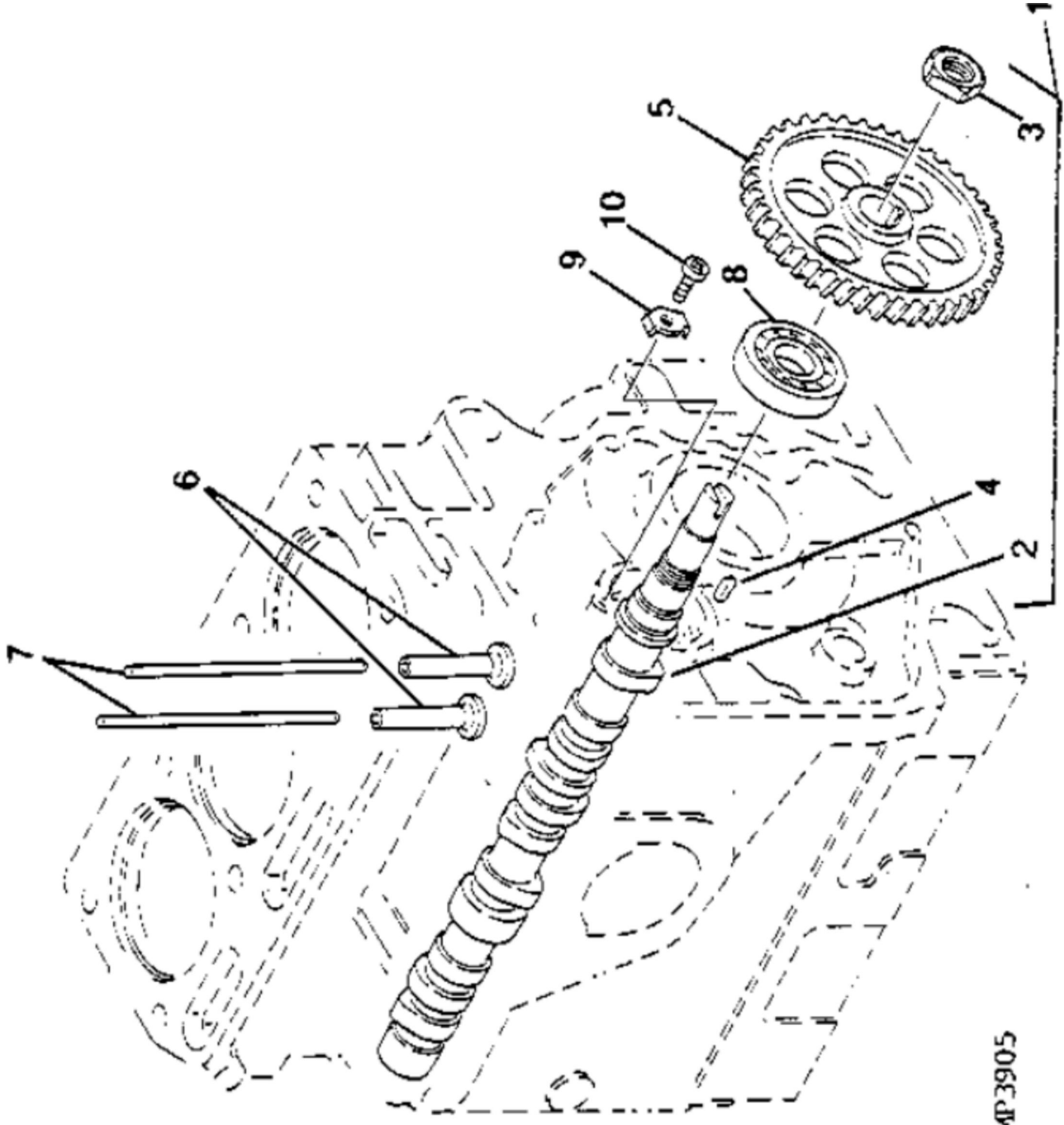
MP4041

KEY	PART NO.	PART NAME	QTY	REMARKS
41	CH14197	KIT	2	ROCKER ARM (NLA) (SUB COMPONENTS)
42	EXHAUST VALVE	2	
43	BUSHING	2	
44	VALVE	2	
45	CH10107	SCREW	2	
46	14M7273	NUT	2	(INCLUDED IN AM877960) M8
47	CH14198	KIT	1	ROCKER ARM (NLA) (SUB COMPONENTS)
48	EXHAUST VALVE	1	
49	BUSHING	1	
50	EXHAUST VALVE	1	
51	CH10107	SCREW	1	
52	14M7273	NUT	1	(INCLUDED IN AM877960) M8
53	CH14075	COVER	1	(NLA)
54	CH14073	COVER	1	(WITH GASKET)
55	CH10446	COVER	3	
56	CH12817	GASKET	3	
57	19M7300	CAP SCREW	6	M6 X 10
58	CH10348	NUT	3	
59	CH10568	PACKING	3	
60	CH14169	CHAMBER	3	
61	CH10091	CHAMBER	3	
62	CH10062	GASKET	6	
63	CH10072	GASKET	3	
64	CH10506	PLATE	3	



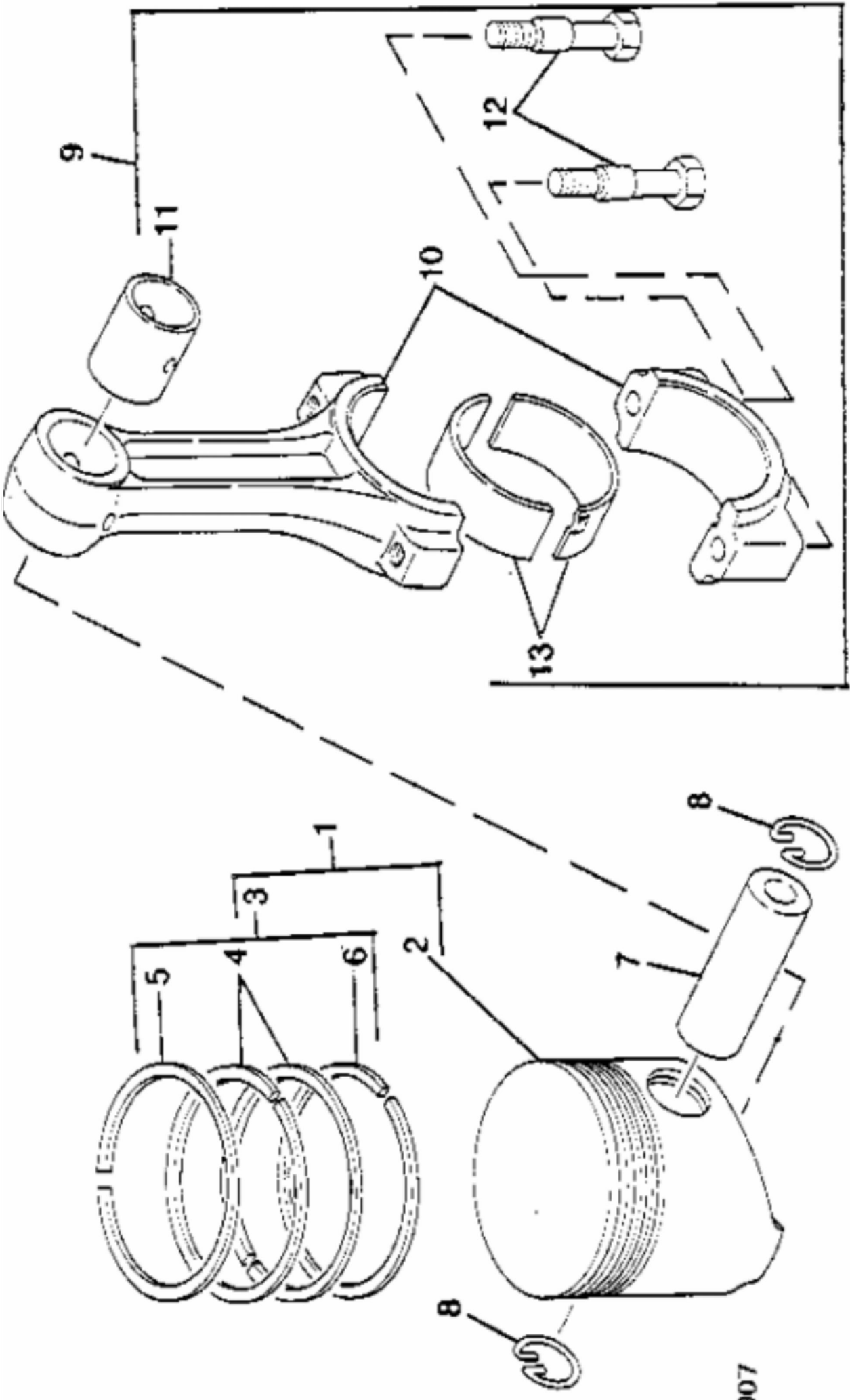
MP3901

KEY	PART NO.	PART NAME	QTY	REMARKS
1	AM875464	HOUSING	1	
2	HOUSING	1	(SUB AM875464)
3	CH12814	GASKET	1	
4	CH10174	COVER	1	
5	CH10390	SEAL	1	
6	19M7864	SCREW	2	M8 X 12, (SUB FOR CH19137)
7	CH12574	STUD	2	
8	CH10614	STUD	4	
9	NUT	4	(SUB 14M7273 AND 12M7065)
10	14M7298	FLANGE NUT	2	M8
11	CH12819	GASKET	1	
12	CH14189	GASKET	1	
13	19M7800	SCREW	2	M8 X 50
14	19M7801	SCREW	2	M8 X 60
15	CH19093	BOLT	5	
16	CH10237	STEERING GEAR	1	(AM875559 SHORT BLOCK)
17	CH10238	SPACER	1	(AM875559 SHORT BLOCK)
18	CH10239	SHAFT	1	(AM875559 SHORT BLOCK)
19	CH10413	WASHER	1	(AM875559 SHORT BLOCK)
20	40M7225	SNAP RING	1	(AM875559 SHORT BLOCK) (SUB FOR CH10530)
21	CH10564	BEARING	2	(AM875559 SHORT BLOCK)
22	19M7331	CAP SCREW	1	(AM875559 SHORT BLOCK) M12 X 65
23	CH10393	POINTER	1	
24	21M7279	SCREW	2	M6 X 10
25	CH10381	HOUSING	1	
26	CH12822	GASKET	1	
27	CH10553	WASHER	3	
28	19M7775	SCREW	2	M6 X 16, (SUB FOR M87868)
29	CH19141	BOLT	1	

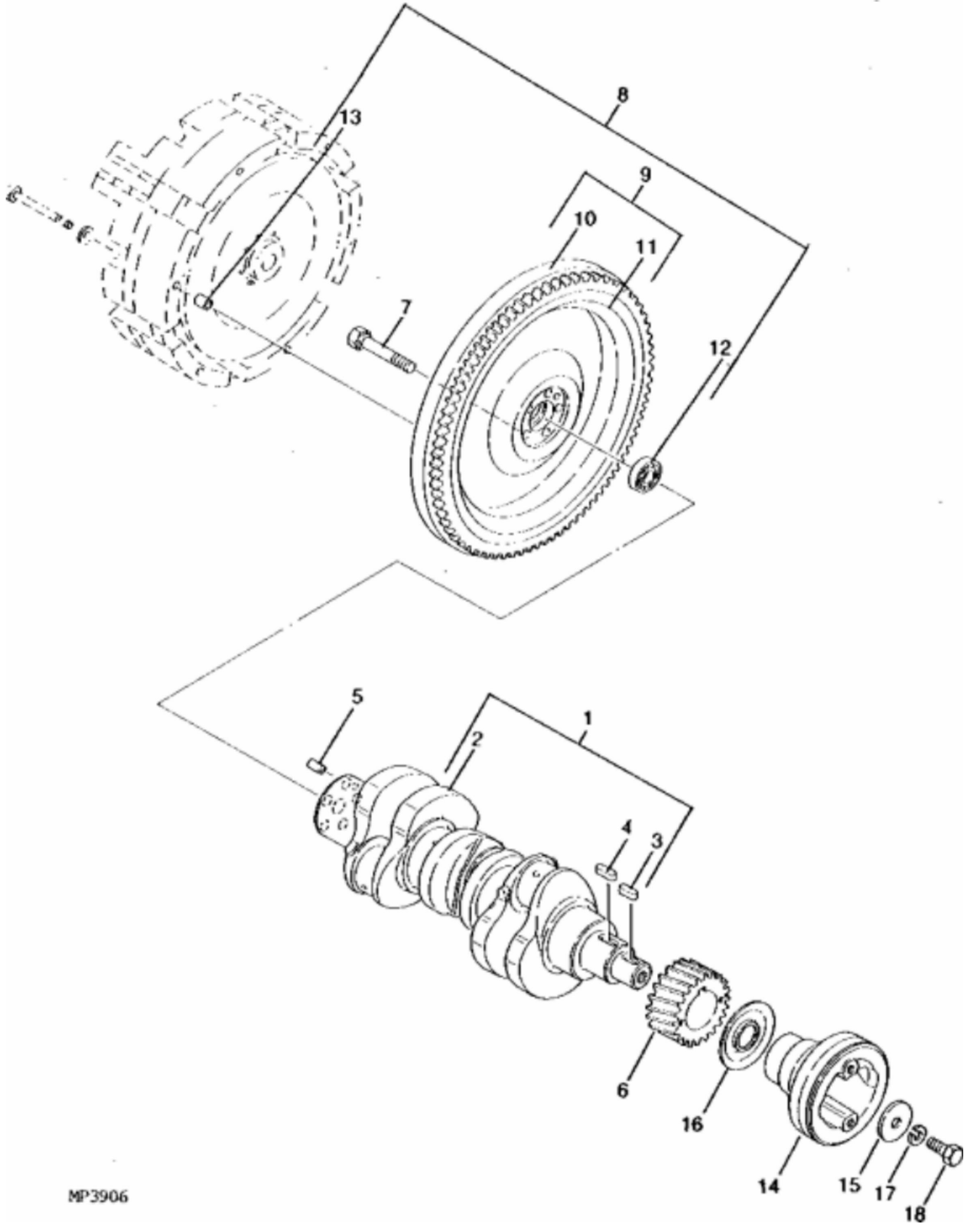


MP3905

KEY	PART NO.	PART NAME	QTY	REMARKS
1	CH10658	CAMSHAFT	1	(AM875559 SHORT BLOCK)
2	CAMSHAFT	1	(AM875559 SHORT BLOCK) (ORDER CH10658)
3	CH10406	NIUT	1	(AM875559 SHORT BLOCK)
4	CH10545	KEY	1	(AM875559 SHORT BLOCK) NLA
5	CH10229	STEERING GEAR	1	(AM875559 SHORT BLOCK)
6	CH10069	FOLLOWER	6	(AM875559 SHORT BLOCK)
7	CH10351	PUSH ROD	6	
8	CH14887	BALL BEARING	1	(AM875559 SHORT BLOCK) (SUB FOR CH10505)
9	CH10193	RETAINER	1	(AM875559 SHORT BLOCK)
10	21M7361	SCREW	1	(AM875559 SHORT BLOCK) M8 X 12, (SUB FOR CH11627)

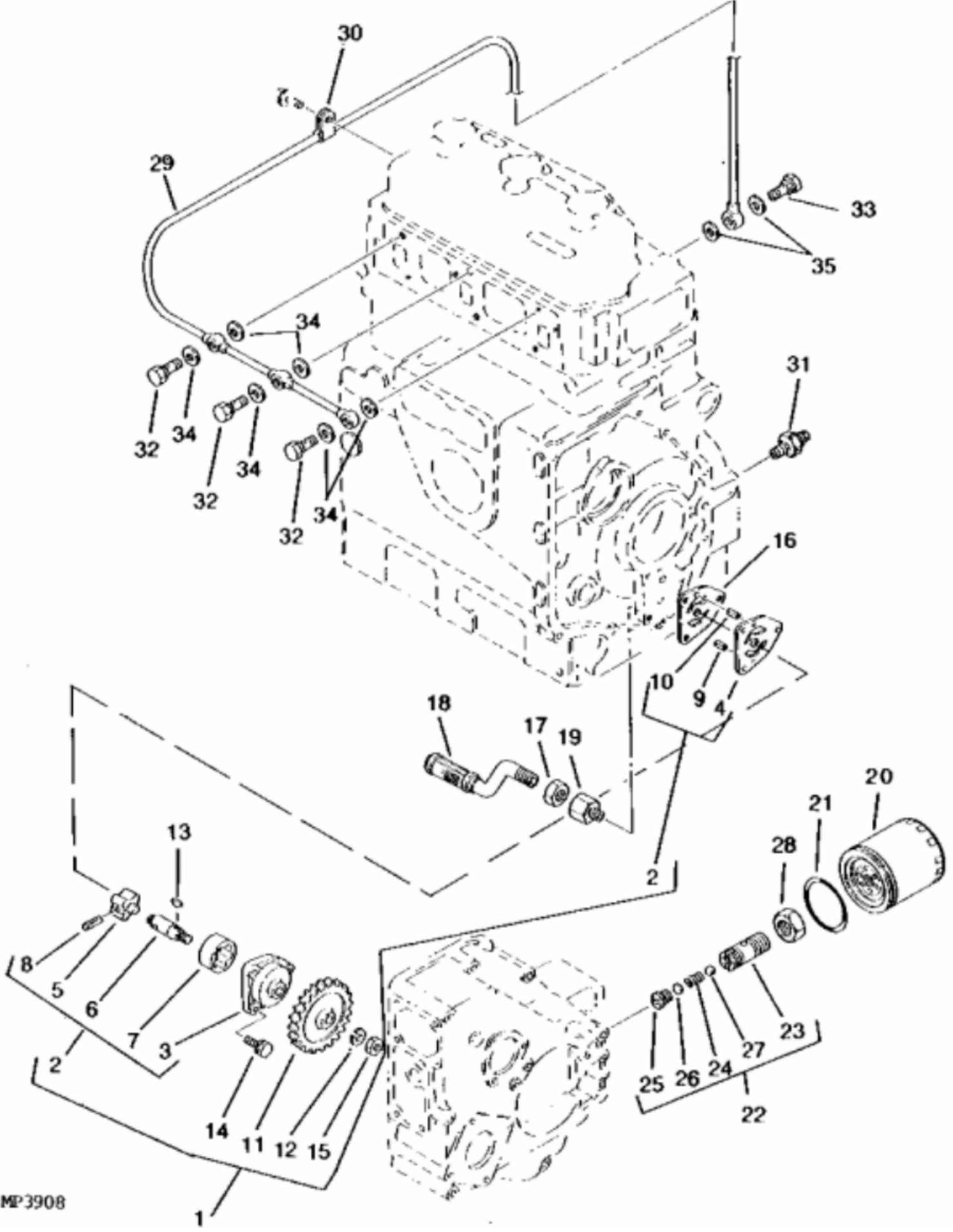


KEY	PART NO.	PART NAME	QTY	REMARKS
1	CH10355	PISTON	3	(AM875559 SHORT BLOCK)
2	PISTON	3	(AM875559 SHORT BLOCK) (ORDER CH10355)
3	CH12046	RING	3	(AM875559 SHORT BLOCK)
4	RING	6	(AM875559 SHORT BLOCK) (ORDER CH12046)
5	RING	3	(AM875559 SHORT BLOCK) (ORDER CH12046)
6	RING	3	(AM875559 SHORT BLOCK) (ORDER CH12046)
7	CH10070	PIN	3	(AM875559 SHORT BLOCK)
8	CH10071	RING	6	(AM875559 SHORT BLOCK)
9	CH10682	ROD	3	(AM875559 SHORT BLOCK)
10	ROD	3	(AM875559 SHORT BLOCK) (ORDER CH10682)
11	MIU801273	BUSHING	3	(AM875559 SHORT BLOCK) (SUB FOR CH10357)
12	CH10092	BOLT	6	(AM875559 SHORT BLOCK)
13	AM875927	BEARING	3	(AM875559 SHORT BLOCK)



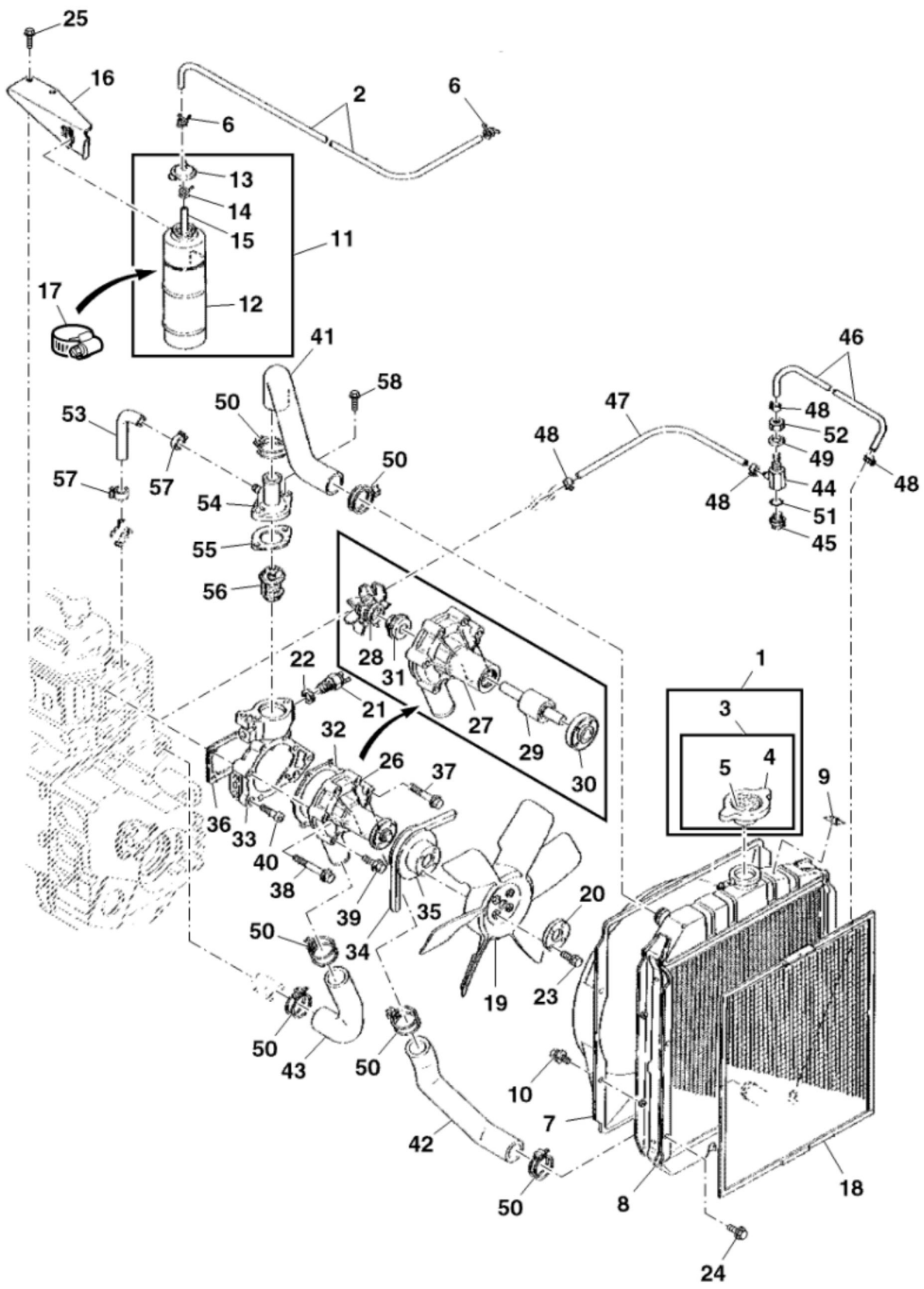
MP3906

KEY	PART NO.	PART NAME	QTY	REMARKS
1	CH10659	CRANKSHAFT	1	(AM875559 SHORT BLOCK)
2	CRANKSHAFT	1	(AM875559 SHORT BLOCK) (ORDER CH10659)
3	CH10546	SHAFT KEY	1	(AM875559 SHORT BLOCK) M4, TAPPED HOLE, (SUB M802215)
3	M802215	KEY	1	NO TAPPED HOLE
4	CH10547	SHAFT KEY	1	(AM875559 SHORT BLOCK) M4, TAPPED HOLE, (SUB CH15332)
4	CH15332	KEY	1	NO TAPPED HOLE
5	CH10534	PIN	1	
6	CH10231	SPUR GEAR	1	(AM875559 SHORT BLOCK)
7	CH19291	BOLT	5	
8	AM875429	FLYWHEEL	1	FLYWHEEL
9	FLYWHEEL	1	(ORDER AM875429)
10	FLYWHEEL	1	(ORDER AM875429)
11	CH10466	GEAR	1	
12	CH19289	BALL BEARING	1	
13	CH13682	PIN	2	
14	CH19286	PULLEY	1	NLA
15	CH10317	WASHER	1	
16	CH10390	SEAL	1	
17	12M7067	LOCK WASHER	1	12 mm
18	CH10612	BOLT	1	



MP3908

KEY	PART NO.	PART NAME	QTY	REMARKS
1	CH20064	OIL PUMP	1	(AM875559 SHORT BLOCK) PUMP
2	OIL PUMP	1	(AM875559 SHORT BLOCK) (ORDER CH20064)
3	HOUSING	1	(AM875559 SHORT BLOCK) (ORDER CH20064)
4	COVER	1	(AM875559 SHORT BLOCK) (ORDER CH20064)
5	ROTOR	1	(AM875559 SHORT BLOCK) (ORDER CH20064)
6	SHAFT	1	(AM875559 SHORT BLOCK) (ORDER CH20064)
7	ROTOR	1	(AM875559 SHORT BLOCK) (ORDER CH20064)
8	PIN FASTENER	1	(AM875559 SHORT BLOCK) (ORDER CH20064)
9	CH10539	SPRING PIN	1	(AM875559 SHORT BLOCK) 4MM X 8MM
10	CH12294	PIN	1	(AM875559 SHORT BLOCK) 4MM X 12MM
11	CH12855	STEERING GEAR	1	(AM875559 SHORT BLOCK)
12	12M7065	LOCK WASHER	1	(AM875559 SHORT BLOCK) 8 mm
13	CH12581	SHAFT KEY	1	(AM875559 SHORT BLOCK)
14	CH20076	BOLT	3	(AM875559 SHORT BLOCK)
15	14M7273	NUT	1	(AM875559 SHORT BLOCK) M8
16	CH10414	GASKET	1	(AM875559 SHORT BLOCK)
17	CH10416	NUT	1	(AM875559 SHORT BLOCK)
18	CH10148	PIPE	1	(AM875559 SHORT BLOCK)
19	CH10149	FITTING	1	
20	M801002	OIL FILTER	1	(SUB FOR CH10467)
21	CH12731	PACKING	1	
22	CH15497	VALVE	1	SHIMS NOT AVAILABLE SEPARATELY
23	HOUSING	1	(SUB CH15497)
24	CH10251	SPRING	1	
25	CH10252	RETAINER	1	
26	CH10253	SHIM	1	
27	R26552	BALL	1	
28	CH18175	NUT	1	
29	CH10150	PIPE	1	
30	CH10419	CLAMP	1	
31	CH10258	SWITCH	1	HYDRAULIC
32	CH10053	BOLT	3	
33	CH10361	BOLT	1	
34	CH10554	PACKING	6	8MM
35	CH10555	WASHER	10	10MM



PU07596

Please write to us.

Our email:

aservicemanualpdf@yahoo.com

**Please go to the homepage
to get the full manual, or
other brand PDF manuals.**

Home Site:

aservicemanualpdf.com

Thank you very much for your reading. Please Click Here. Then Get COMPLETE MANUAL. NO WAITING



NOTE:

If there is no response to click on the link above, please download the PDF document first and then click on it.

KEY	PART NO.	PART NAME	QTY	REMARKS
1	RADIATOR	1	
2	CH12781	HOSE	1	
3	CH18207	FILLER CAP	1	
4	FILLER CAP	1	(SUB CH18207)
5	CH15946	LABEL	1	NLA
6	CH12782	CLAMP	2	
7	CH14025	SHROUD	1	
8	CH19293	RADIATOR	1	
9	LABEL	1	NOT AVAILABLE
10	BOLT	4	(SUB 19M7162, 12M7065 AND 24M7055)
11	CH12866	TANK	1	
12	TANK	1	(SUB CH12866)
13	CH12896	CAP	1	
14	CH10426	RETAINER	1	
15	CH10551	PIPE	1	
16	CH11772	BRACKET	1	
17	CH10425	CLAMP	1	NLA
18	CH10265	SHIELD	1	
19	CH12868	FAN	1	
20	CH12869	HUB	1	
21	CH15516	SWITCH	1	WATER TEMPERATURE
22	CH13814	WASHER	1	
23	BOLT	4	(SUB 19M7286 AND 12M7006)
24	19M7864	SCREW	4	M8 X 12, (SUB FOR CH19137)
25	CH20044	BOLT	2	
26	CH12859	WATER PUMP	1	
27	WATER PUMP	1	(SUB CH12859)
28	CH12862	IMPELLER	1	
29	CH12863	BALL BEARING	1	
30	CH12864	FLANGE	1	
31	CH12895	SEAL	1	(ORDER CH12859 PUMP THIS APPLICATION)
32	MIU801743	GASKET	1	(SUB FOR CH10490)PUMP BODY
33	M801316	HOUSING	1	
34	CH14022	V-BELT	1	(39"), "V"
35	CH10491	PULLEY	1	

KEY	PART NO.	PART NAME	QTY	REMARKS
36	CH10420	GASKET	1	
37	CH19099	BOLT	1	M8X65
38	CH19091	BOLT	1	M8X75
39	19M7797	SCREW	4	M6 X 40, (SUB FOR M800008)
40	CH12910	BOLT	2	
41	CH13960	RADIATOR HOSE	1	
42	CH14030	RADIATOR HOSE	1	COOLANT, PUMP TO BLOCK
43	CH14031	RADIATOR HOSE	1	COOLANT, RADIATOR TO PUMP
44	CH10272	HOUSING	1	
45	CH10275	PLUG	1	
46	CH10276	PIPE	1	
47	CH10277	PIPE	1	
48	AR48236	CLAMP	4	
49	CH10524	WASHER	1	
50	AR21839	CLAMP	6	
51	CH10570	O-RING	1	
52	CH12405	NUT	1	
53	CH14032	RADIATOR HOSE	1	
54	CH11797	COVER	1	
55	M805702	GASKET	1	(SUB FOR CH16026)
56	CH15536	THERMOSTAT	1	
57	AR48236	CLAMP	2	(SUB FOR CH11810, THIS APPLICATION) (SUB FOR M801109)
58	M87826	BOLT	2	

