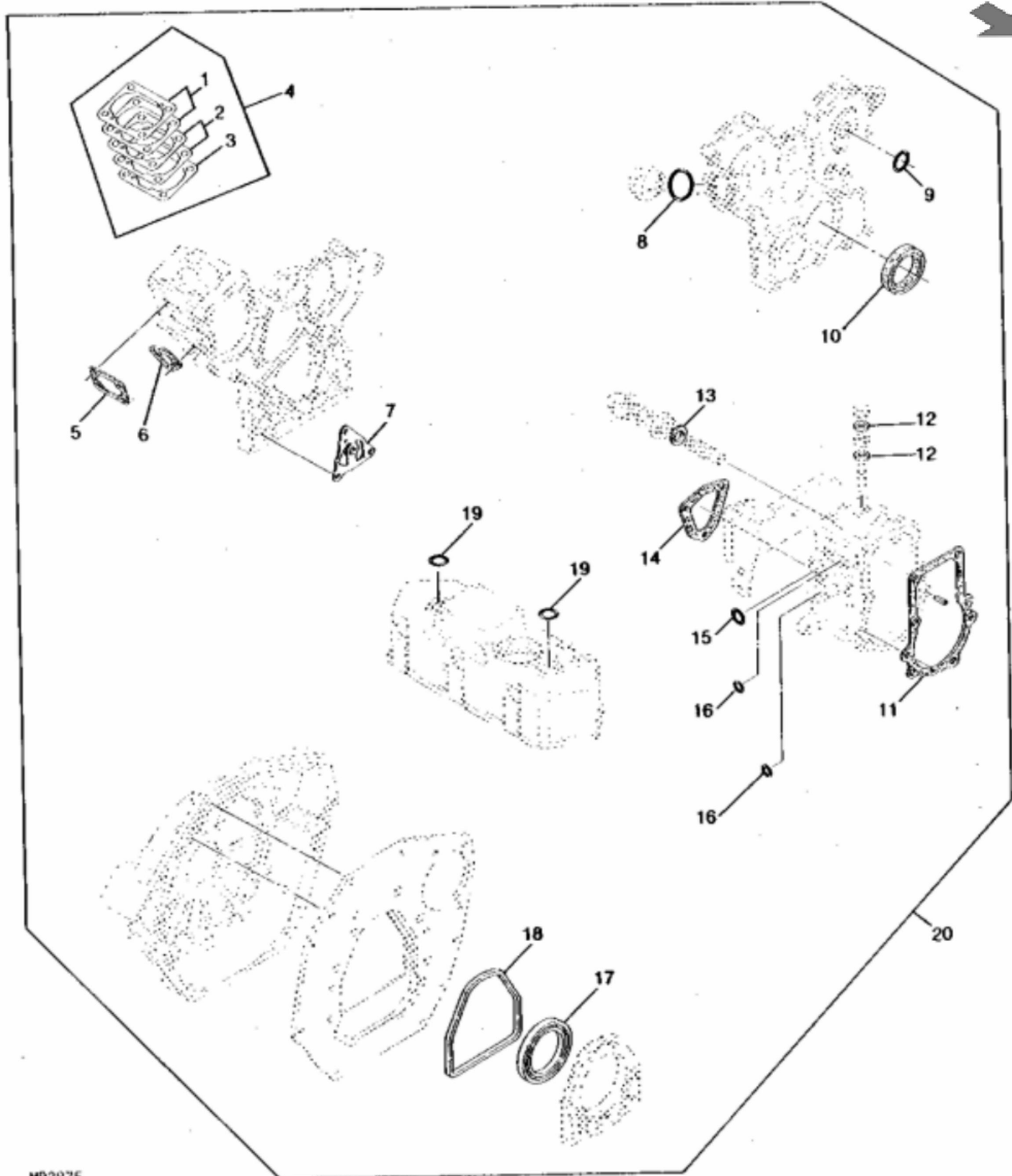
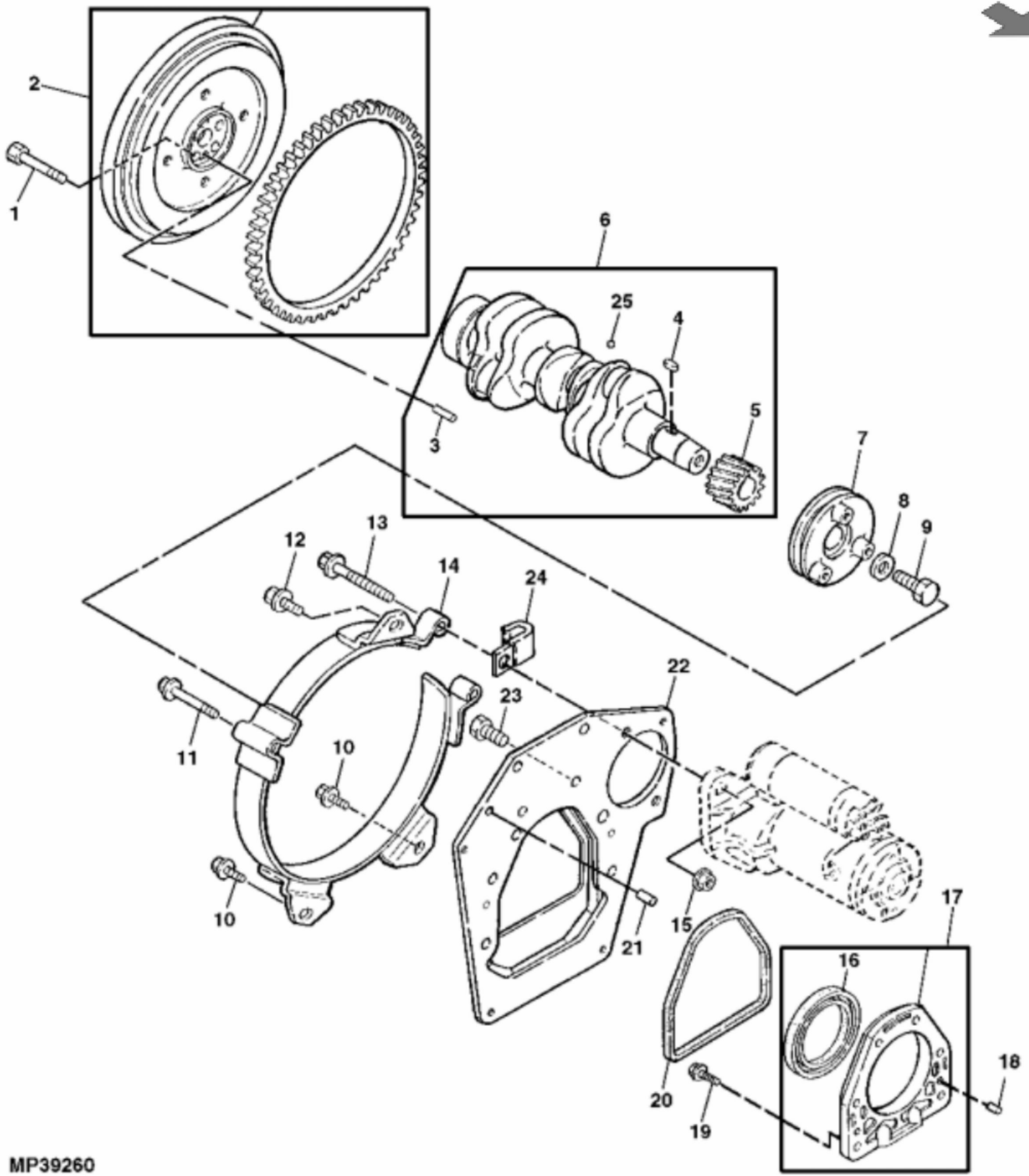


KEY	PART NO.	PART NAME	QTY	Engine Serial No.	REMARKS
1	M87810	FLANGE	1		
2	19M7774	SCREW	2		M6 X 12
3	CH10568	PACKING	2		
4	30M7023	PLUG	2		(SUB FOR CH10642)
5	M806843	PLUG	1		STEEL (SUB FOR CH10640)
6	CH17101	PLUG	4		
7	M800013	BUSHING	1		CAMSHAFT
8	M800006	DOWEL PIN	2		
9	M800002	PLUG	2		
10	M89140	SHAFT	1		IDLE GEAR
11	19M7774	SCREW	3		M6 X 12
12	M89139	PLATE	1		IDLE GEAR SHAFT
13	40M7080	SNAP RING	1		(SUB FOR CH16769)
14	AM875059	BEARING KIT	4		STD
14	AM875026	BEARING KIT	4		.25MM (.01") US
15	M800012	BOLT	8		
16	M89143	GUIDE	1		DIPSTICK
17	CH10571	PACKING	1		
18	AM875060	BEARING KIT	2		
19	CH15478	PLUG	1		
20	CH10314	PLUG	2		
21	AM100800	DRAIN VALVE	1		
22	M802254	PIN	1		(SUB FOR M87808)
23	M802255	PIN	1		(SUB FOR CH10534)
24	M809526	SWITCH	1		OIL PRESSURE (SUB FOR CH15500)
25	AM875018	CYLINDER BLOCK	1		KIT (OIL PRESSURE SWITCH NO LONGER INCLUDED)
26	M800420	DIPSTICK	1		
27	M800045	GUIDE	1		
28	19M7300	CAP SCREW	1		M6 X 10
..	AM101973	DIESEL ENGINE	1	007123-_____	(INCLUDES AM101977 MUFFLER) (SUB FOR AM103255)
..	AM875017	SHORT BLOCK ASSEMBLY	1		(SUB AM875017)



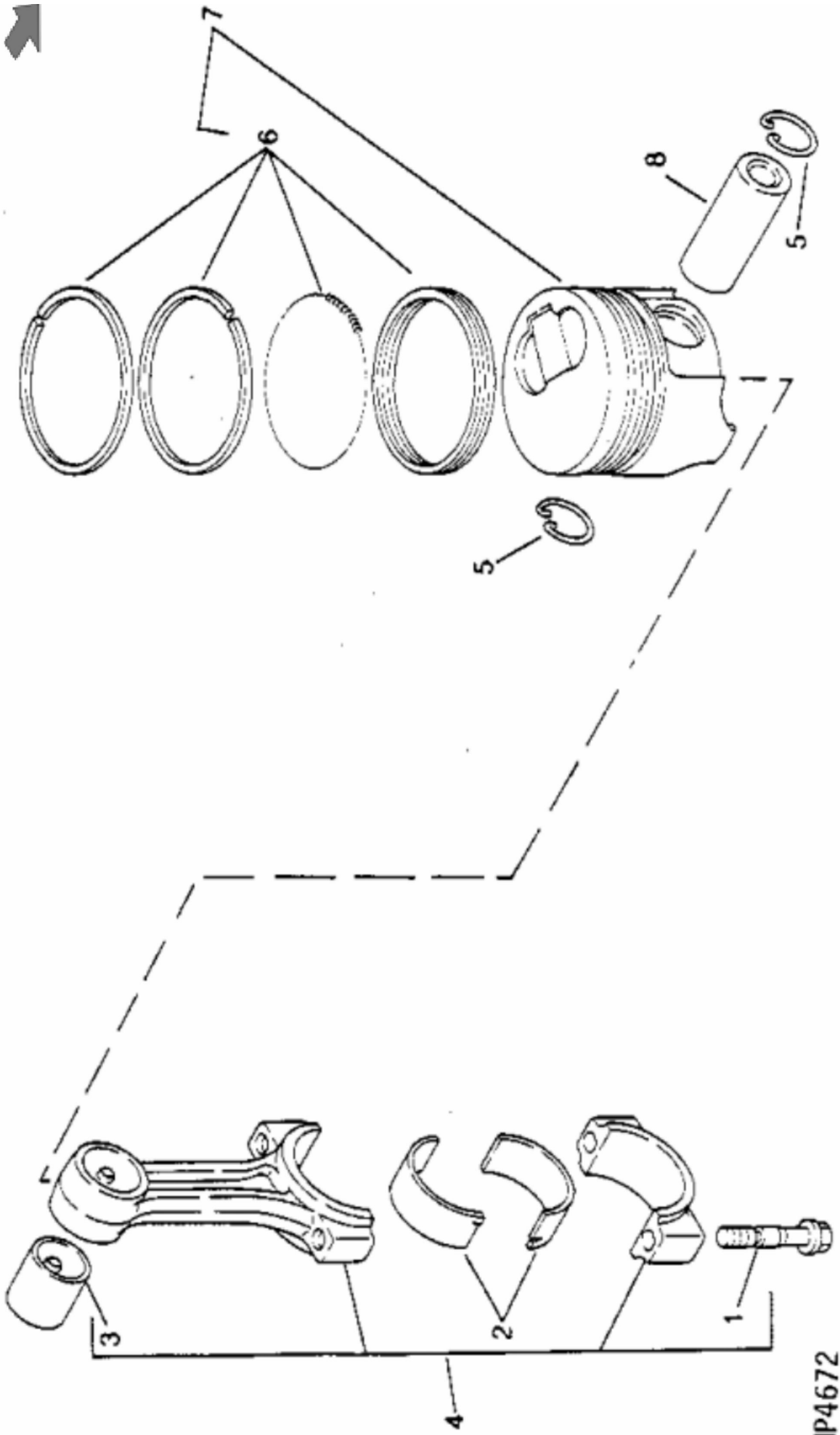
MP2875

KEY	PART NO.	PART NAME	QTY	REMARKS
1	SHIM	2	.2MM, (SUB AM100747)
2	SHIM	2	.3MM, (SUB AM100747)
3	SHIM	1	.5MM, (SUB AM100747)
4	AM100747	SHIM	1	KIT (INCLUDES (2) .2 MM (.008) (2) .3 MM (.012) AND (1) .5 MM (.020) SHIMS)
5	M805695	GASKET	1	(SUB FOR M89123)
6	M805703	GASKET	1	(SUB FOR CH15378) TRANSFER PUMP OPENING
7	M89142	GASKET	1	OIL PUMP
8	CH15414	PACKING	1	
9	CH15595	O-RING	1	
10	M811563	SEAL	1	(SUB FOR M87821)
11	M805704	GASKET	1	(SUB FOR M89153)
12	M87851	WASHER	2	(SUB FOR CH10644)
13	M806438	WASHER	1	(SUB FOR CH15385)
14	M805705	GASKET	1	(SUB FOR M89155)
15	CH10571	PACKING	2	
16	M89151	O-RING	2	
17	M801941	SEAL	1	(SUB FOR M87809)
18	M87849	SEAL	1	
19	CH10568	PACKING	2	
20	AM876063	GASKET KIT	1	BLOCK (SUB FOR AM875036)



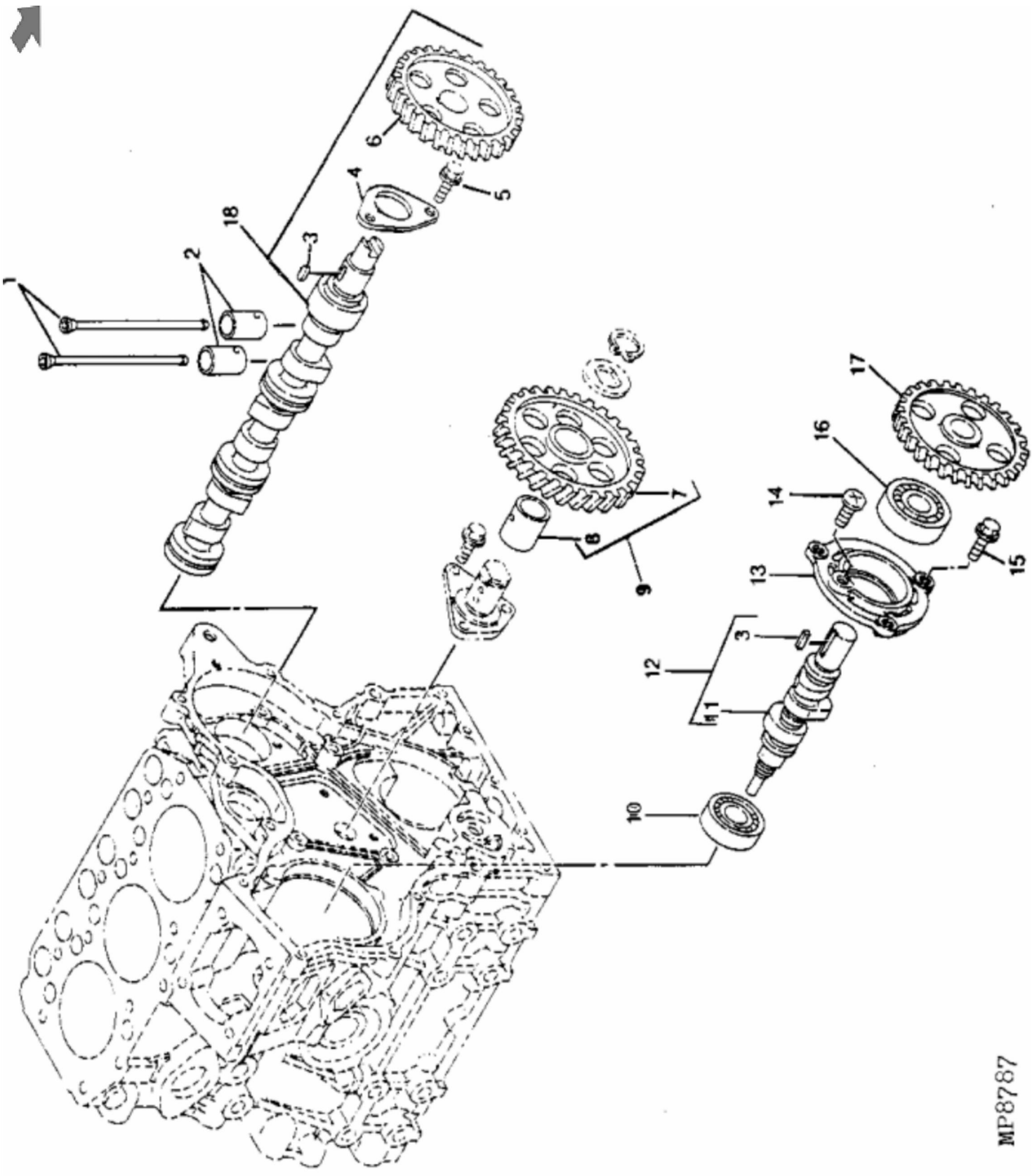
MP39260

KEY	PART NO.	PART NAME	QTY	Engine Serial No.	REMARKS
1	M87887	BOLT	5		
2	AM875297	FLYWHEEL	1		NLA
3	M802255	PIN	1		(SUB FOR CH10534)
4	M87812	SHAFT KEY	1		
5	M800039	GEAR	1		
6	AM875020	CRANKSHAFT	1		
7	M800040	PULLEY	1		
8	M800308	WASHER	1		
9	M800075	BOLT	1		
10	M801820	BOLT	2		(SUB 19M7964, 12M7065 AND 24M7055)
11	19M7979	SCREW	1		M8 X 55, (SUB FOR CH19090)
12	M800011	BOLT	1		
13	M801809	BOLT	2		
14	M801819	COVER	1		
15	M88031	NUT	2		
16	M801941	SEAL	1		(SUB FOR M87809)
17	AM100720	CASE	1		CRANKSHAFT OIL SEAL
18	M802254	PIN	2		(SUB FOR M87808)
19	M87826	BOLT	6		
20	M87849	SEAL	1	____-021384	
21	M802255	PIN	2		(SUB FOR CH10534, THIS APPLICATION)
22	M802563	PLATE	1		(SUB FOR M800959)
23	M800011	BOLT	7		
24	R72853	CLAMP	1		
25	400R	BALL	3		



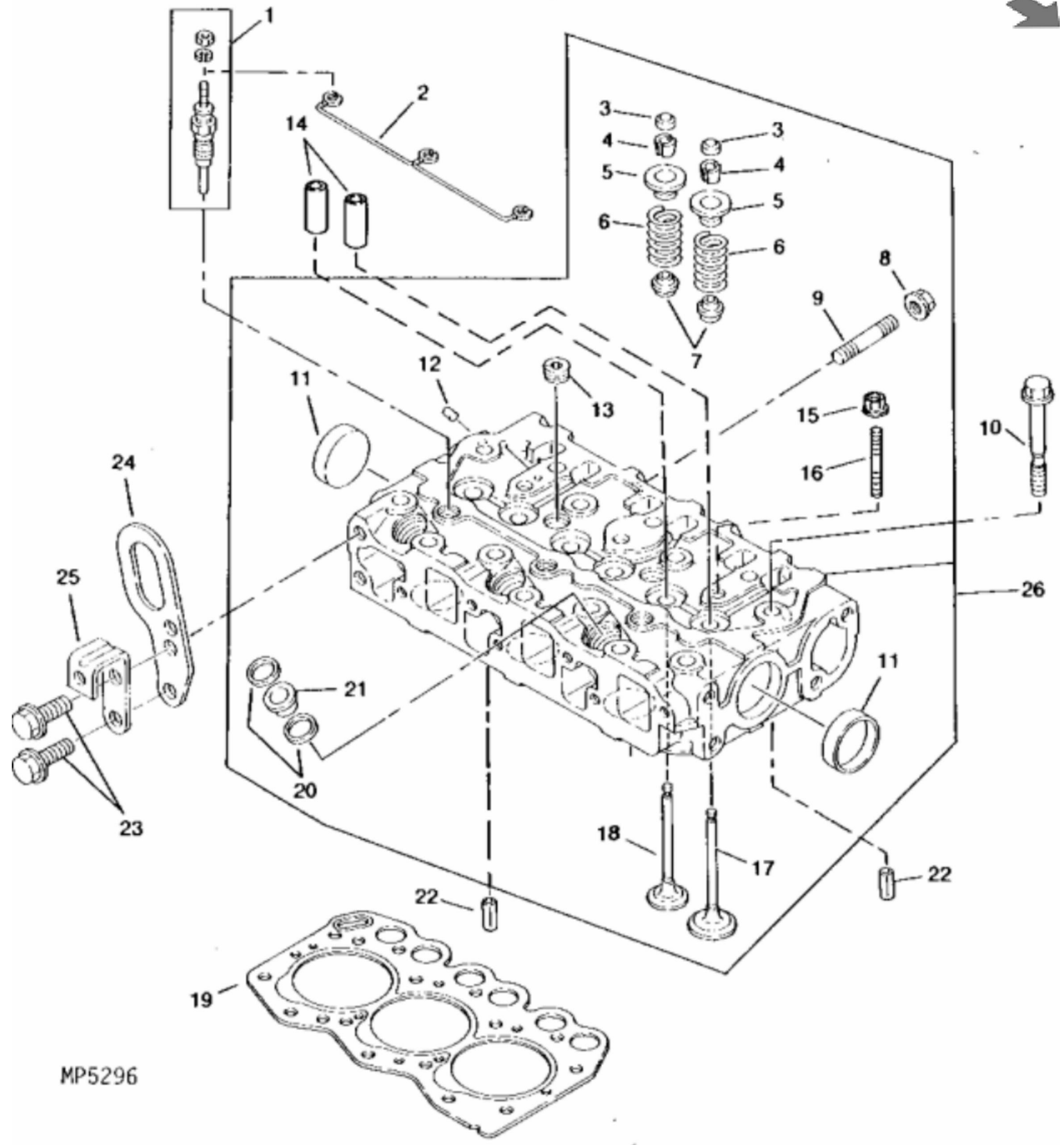
MP4672

KEY	PART NO.	PART NAME	QTY	REMARKS
1	M800043	BOLT	2	
2	AM875022	BEARING KIT	1	STD
2	AM875034	BEARING KIT	1	.25MM (.010") US
3	M800080	BUSHING	3	
4	AM878691	CONNECTING ROD	3	(SUB FOR AM875021)
5	M800079	RETAINER	2	
6	AM877824	PISTON RING KIT	3	STD (SUB FOR AM875031)
6	AM877825	PISTON RING KIT	3	.25MM (.010") OS, (SUB FOR AM875033)
6	AM878236	PISTON RING KIT	3	.50MM (.020") OS
7	AM877822	PISTON	3	STD (SUB FOR AM875004)
7	AM875032	PISTON	3	.25MM (.010") OS
7	AM878237	PISTON	3	.50MM (.020") OS
8	M800042	PISTON PIN	3	



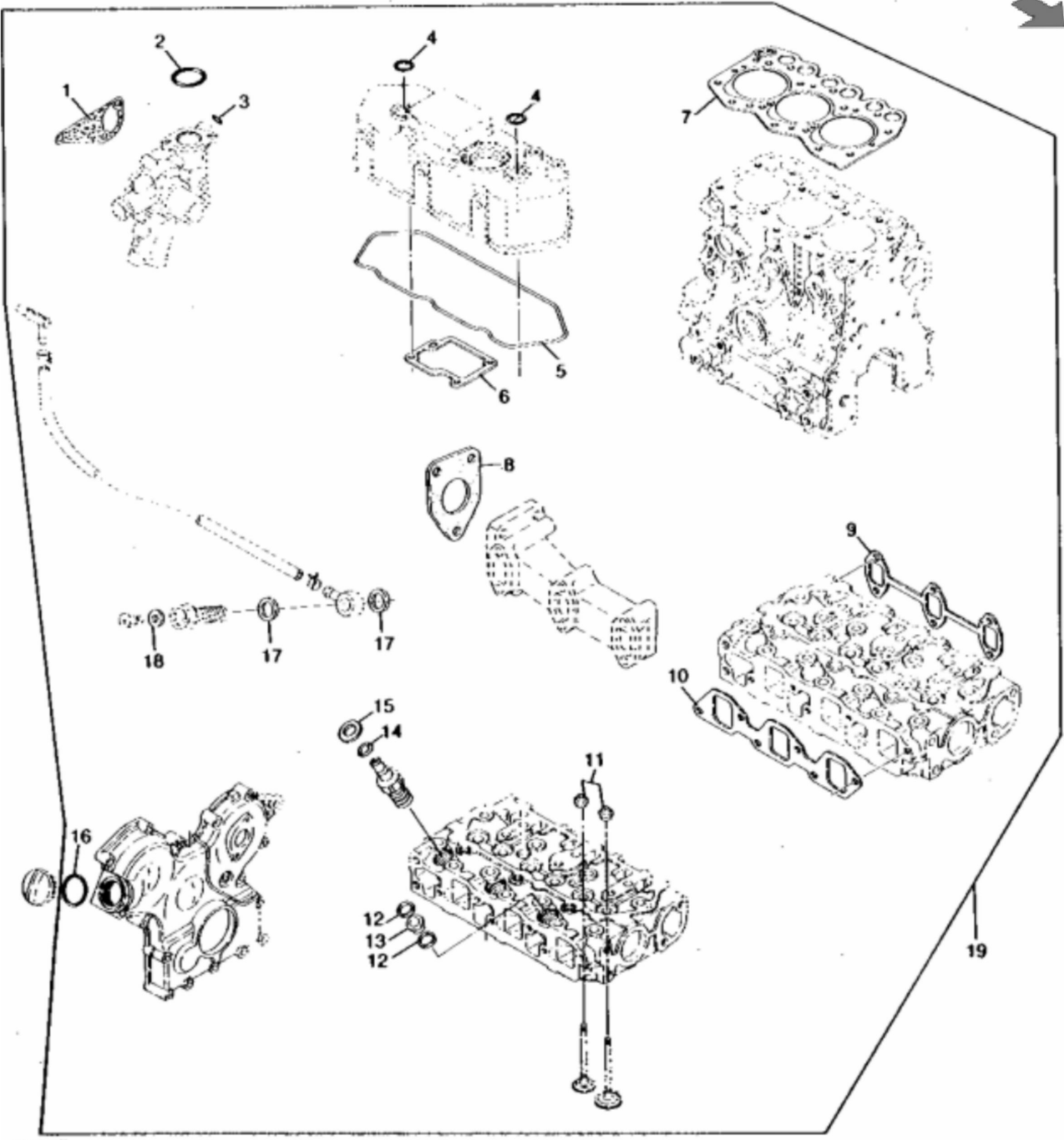
MP8787

KEY	PART NO.	PART NAME	QTY	REMARKS
1	M800037	PUSH ROD	6	
2	M800036	CAM FOLLOWER	6	
3	M87812	SHAFT KEY	2	
4	M87810	FLANGE	1	
5	19M7774	SCREW	1	M6 X 12
6	M800035	GEAR	1	CAMSHAFT
7	GEAR	1	(SUB AM875005)
8	M800300	BUSHING	1	
9	AM875005	GEAR	1	IDLE
10	M800496	BALL BEARING	1	
11	CAMSHAFT	1	(SUB AM101400)
12	AM101400	CAMSHAFT	1	(INCLUDES M800073 BEARING)
13	M89175	CASE	1	
14	CH15405	SCREW	1	
15	19M7775	SCREW	3	M6 X 16, (SUB FOR (3) M87868)
16	M800073	BEARING	1	
17	M800044	GEAR	1	FUEL INJECTION PUMP
18	AM875019	CAMSHAFT	1	KIT



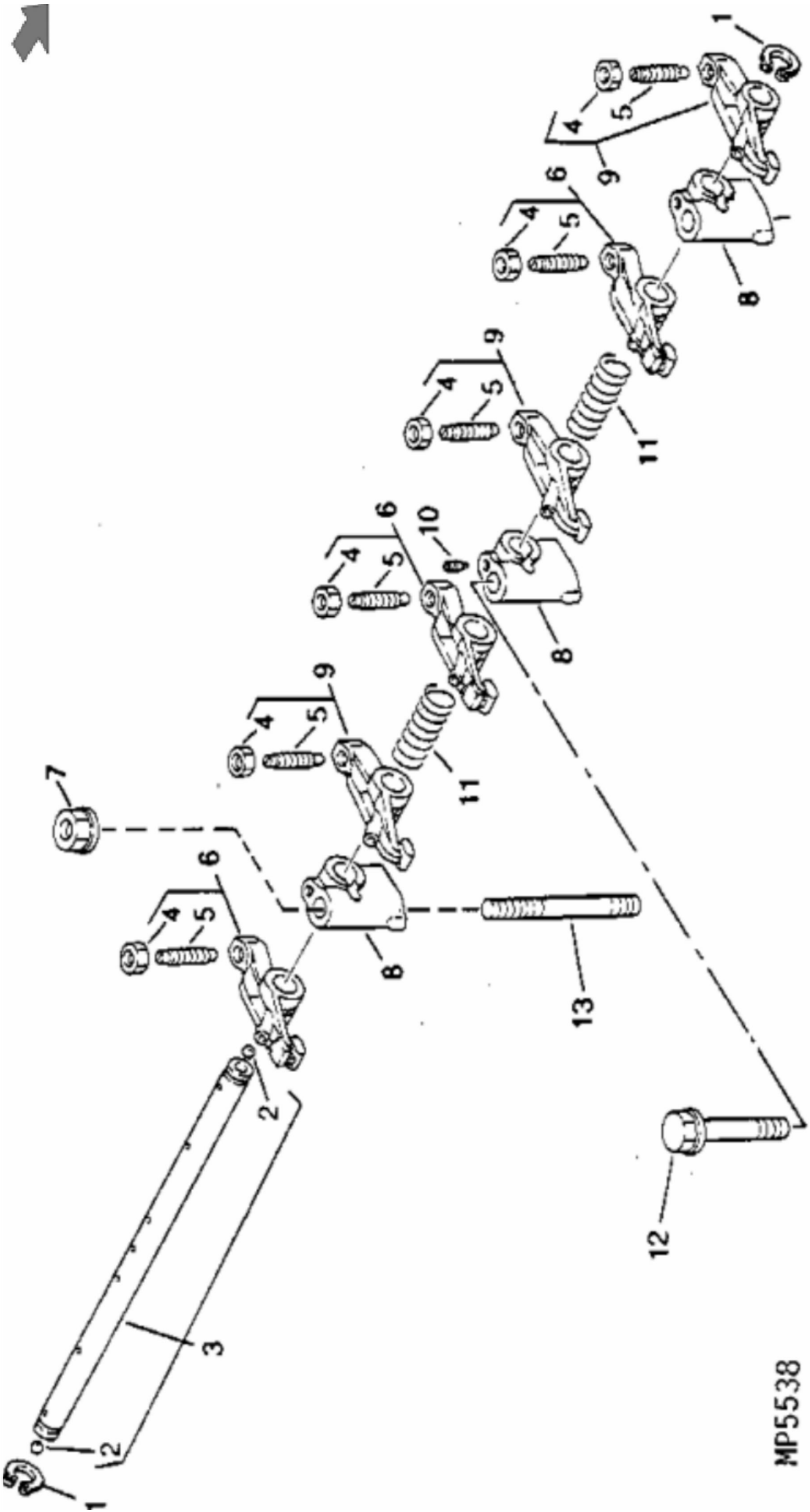
MP5296

KEY	PART NO.	PART NAME	QTY	REMARKS
1	M87919	GLOW PLUG	3	
2	M87920	ELEC. CONNECTOR TERMINAL	1	
3	M800023	CAP	6	
4	AM878864	RETAINER KIT	6	(PKG OF 2 SIDES), VALVE (SUB FOR (2) M800021)
5	M800020	HOLDER	6	
6	M800019	SPRING	6	
7	M800022	SEAL	6	NLA; ORDER MIU801996
7	MIU801996	SEAL	6	
8	14M7303	FLANGE NUT	2	M6, (SUB FOR M87828)
9	M800034	STUD	2	
10	M800003	BOLT	14	
11	CH17438	PLUG	2	
12	M87831	PLUG	1	
13	CH16747	PLUG	2	
14	M800067	GUIDE	6	
15	14M7298	FLANGE NUT	2	M8
16	M87836	STUD	2	ARM SUPPORT
17	M800017	INTAKE VALVE	3	
18	M800018	EXHAUST VALVE	3	
19	M800004	ENGINE CYLINDER HEAD GASKET	1	CYLINDER HEAD (SUB FOR M801790)
20	M89135	GASKET	6	
21	M89134	PACKING	3	HEAT PROTECTOR
22	CH18079	SPRING PIN	2	
23	19M7865	SCREW	3	M8 X 16
24	M800066	BRACKET	2	LIFT (SUB MIU800461)
25	M802216	BRACKET	1	(NOT USED THIS APPLICATION)
26	AM875030	CYLINDER HEAD	1	CYLINDER HEAD ASSY.



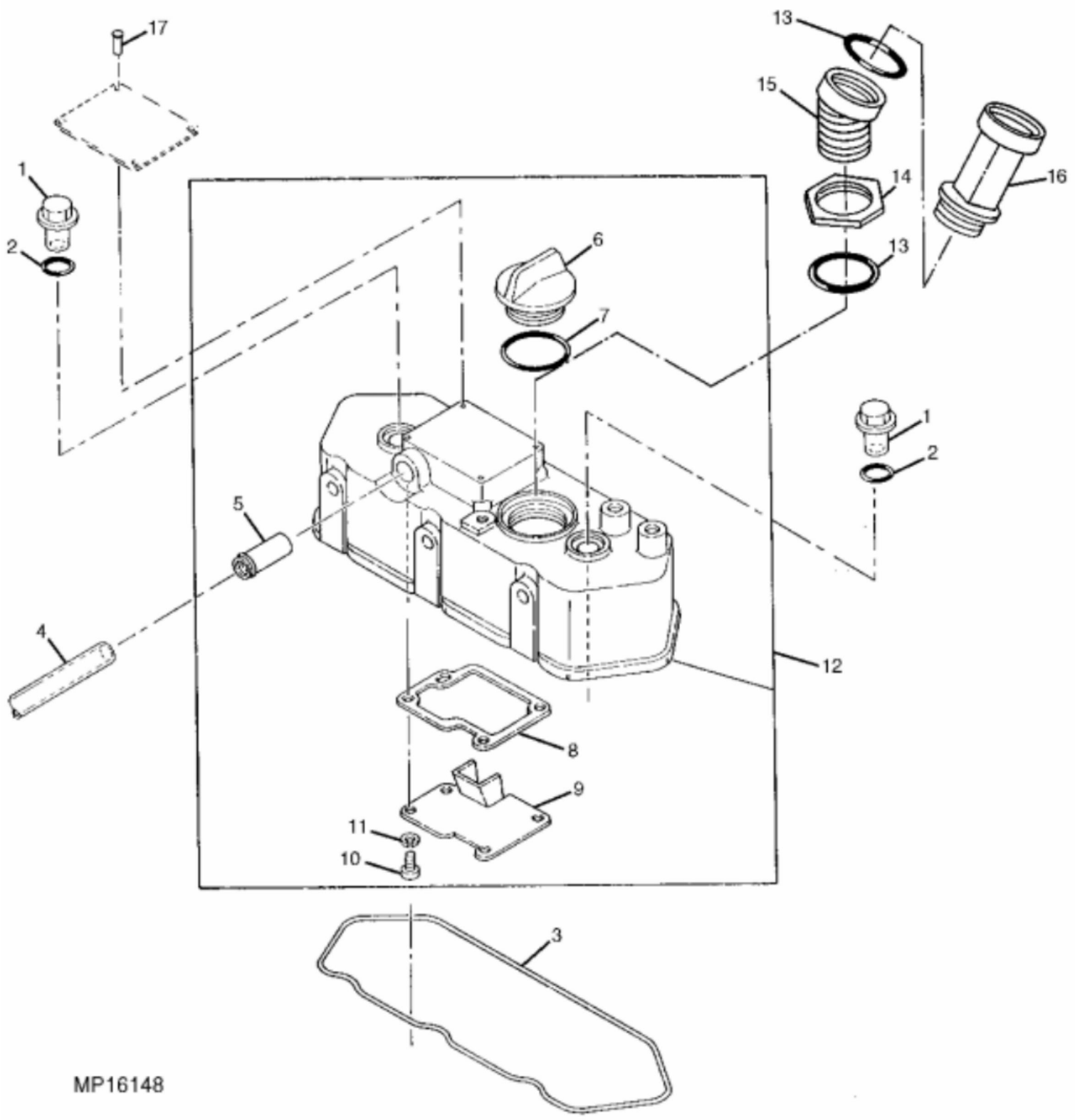
MP4097

KEY	PART NO.	PART NAME	QTY	REMARKS
1	M800047	GASKET	1	PUMP
2	AT264324	O-RING	1	(SUB FOR CH10572 OR T32587)
3	CH13814	WASHER	1	SENDER, WATER TEMPERATURE
4	CH10568	PACKING	2	
5	M809218	GASKET	1	(SUB FOR M800027 OR M802059)
6	M805818	GASKET	1	(SUB FOR M800015)
7	M800004	ENGINE CYLINDER HEAD GASKET	1	(SUB FOR M801790)
8	M805821	GASKET	1	(SUB FOR M800033)
9	M800032	GASKET	1	
10	M805820	GASKET	1	(SUB FOR M800029)
11	M800022	SEAL	6	NLA; ORDER MIU801996
11	MIU801996	SEAL	6	
12	M89135	GASKET	6	
13	M89134	SEAL	3	HEAT PROTECTOR
14	M87861	O-RING	3	
15	CH16901	GASKET	3	
16	CH15414	PACKING	1	
17	CH10085	PACKING	2	
18	M87851	WASHER	1	(SUB FOR CH10643)
19	AM878430	GASKET KIT	1	(SUB FOR AM875037)



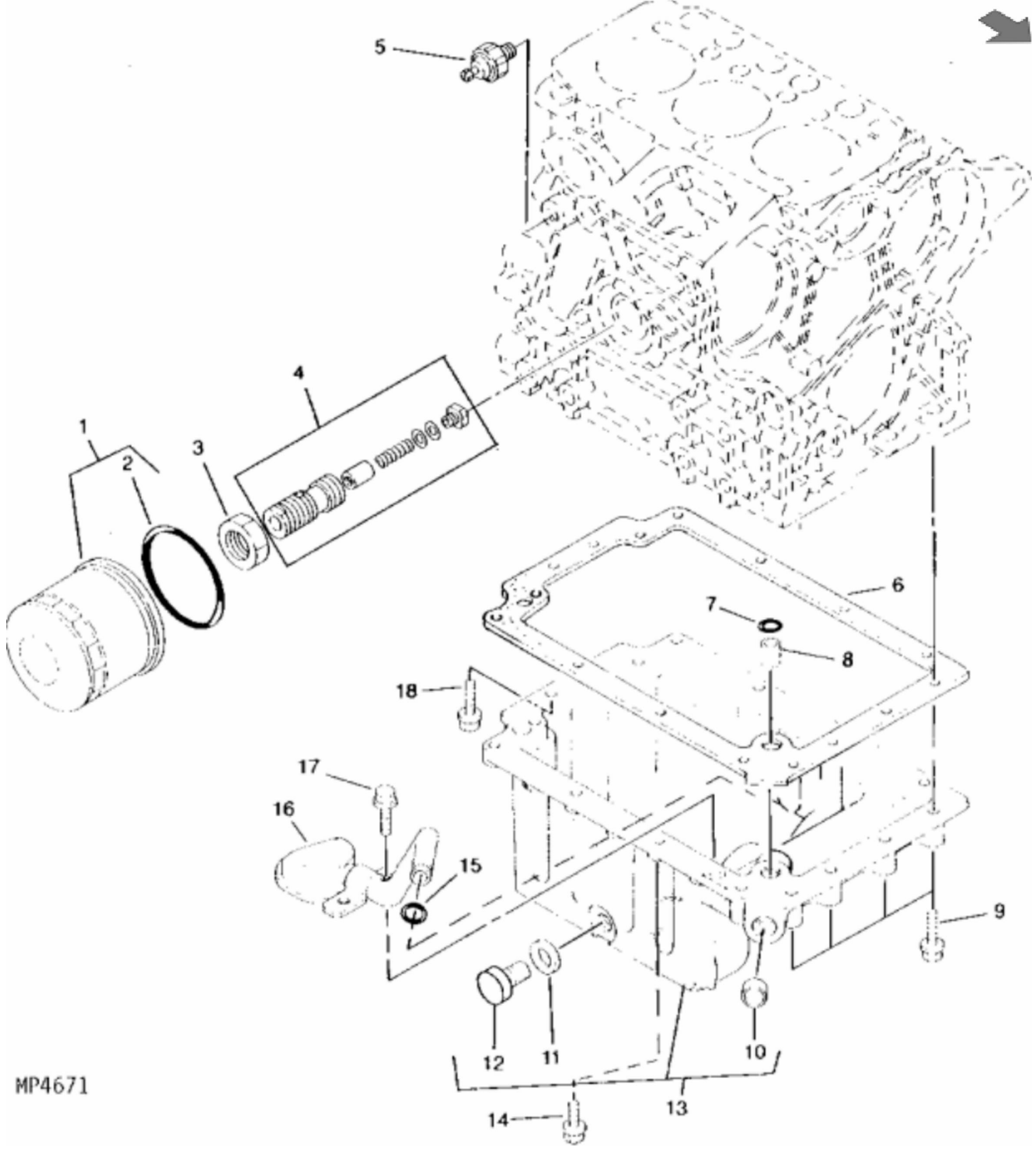
MP5538

KEY	PART NO.	PART NAME	QTY	REMARKS
1	CH17950	RING	2	
2	R63075	BALL	2	(SUB FOR CH18341)
3	AM875002	ROCKER ARM SHAFT	1	
4	14M7194	NUT	6	M6
5	M87841	SCREW	6	
6	AM875029	ROCKER ARM	3	EXHAUST
7	14M7298	FLANGE NUT	2	M8
8	M800024	SUPPORT	3	ROCKER ARM
9	AM875028	ROCKER ARM	3	INTAKE
10	M800069	SELF-LOCKING SCREW	1	
11	M800025	SPRING	2	
12	CH19101	BOLT	1	ASSEMBLY
13	M87836	STUD	2	



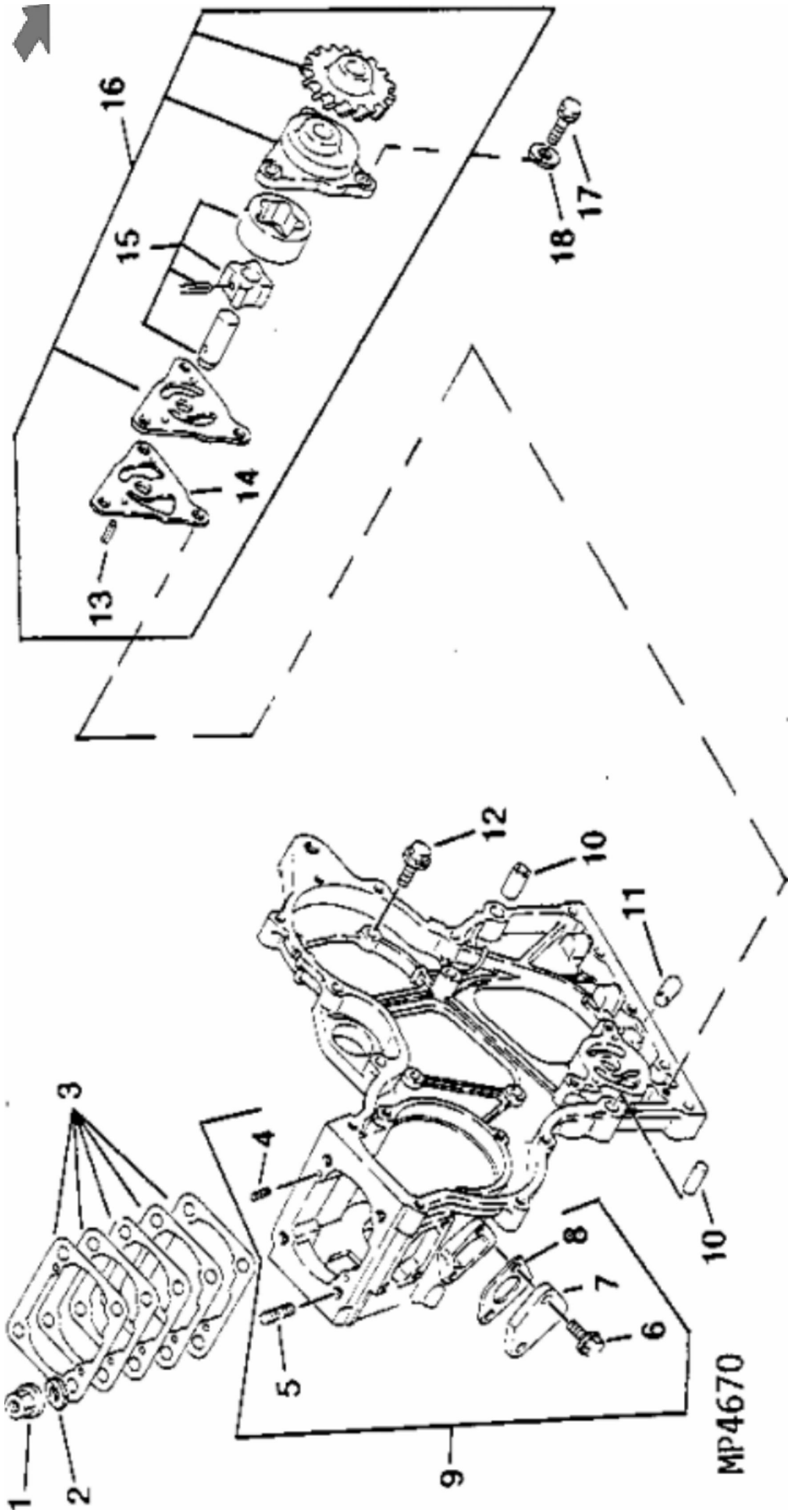
MP16148

KEY	PART NO.	PART NAME	QTY	655	755	REMARKS
1	CH10348	NUT	2			
2	CH10568	PACKING	2			
3	M809218	GASKET	1	X		(SUB FOR M800027 OR M802059)
3	M87854	ENGINE CYLINDER HEAD GASKET	1		X	
4	CH15409	PIPE	1			BREATHER (SUB FOR M89133)
5	M87840	FITTING	1			
6	CH10332	CAP	1	X		(SUB M805710)
6	M805710	CAP	1		X	(SUB FOR CH10332)
7	CH15414	PACKING	1	X		
7	M805711	PACKING	1		X	
8	M805818	GASKET	1	X		(SUB FOR M800015)
8	M805697	GASKET	1		X	
9	M800014	DEFLECTOR	1	X		
9	M87837	DEFLECTOR	1		X	
10	M87839	SCREW	4			
11	12M7064	LOCK WASHER	4			5 mm
12	AM875027	VALVE COVER	1	X		
12	AM100734	VALVE COVER	1		X	
13	CH15414	PACKING	2	X		
14	M802009	NUT	1	X		
15	M802008	ADAPTER FITTING	1	X		
16	M800990	EXTENSION	1	X		NLA
17	CH10061	RIVET	4			

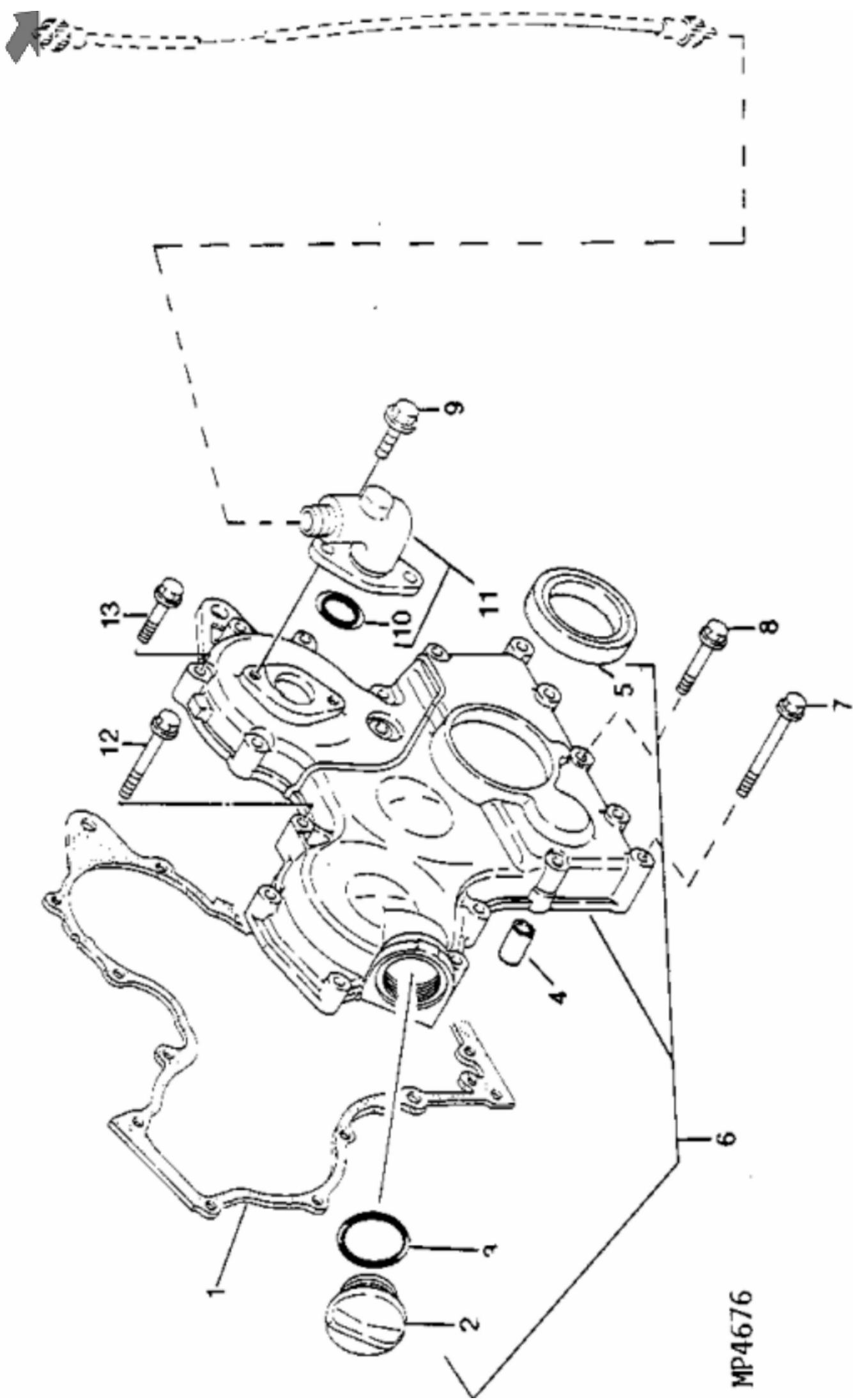


MP4671

KEY	PART NO.	PART NAME	QTY	Engine Serial No.	REMARKS
1	M806418	OIL FILTER	1		(SUB FOR AM101378)
2	CH12731	PACKING	1		
3	M89148	NUT	1		
4	AM875040	VALVE	1		OIL PRESSURE REGULATING
5	AM100856	SWITCH	1		OIL PRESSURE
6	GASKET	1		(MAKE FROM M64850)
7	CH10568	PACKING	1		
8	M801835	PIPE	1		(USED WITH ALUMINUM RESERVOIR)
9	M87871	BOLT	5		(USED WITH ALUMINUM RESERVOIR)
9	19M7774	SCREW	6		(USED WITH SHEET METAL RESERVOIR) M6 X 12
10	CH16748	PLUG	1		(USED WITH ALUMINUM RESERVOIR)
11	M806438	WASHER	1		(SUB FOR CH15385)
12	CH19995	DRAIN PLUG	1		
13	AM875296	RESERVOIR	1	____-012269	ALUMINUM CASTING, USES PARTS MARKED WITH (A) (SUB AM875980 RESERVOIR, M802035 STRAINER, M87869 BOLT, (16) 19M7300 CAP SCREWS AND (6) 19M7774 SCREWS)
13	AM875980	RESERVOIR	1	012270-____	SHEET METAL, USES PARTS MARKED WITH (B)
14	19M7862	SCREW	9		(USED WITH ALUMINUM RESERVOIR) M6 X 20, (SUB FOR M87820)
14	19M7300	CAP SCREW	16		(USED WITH SHEET METAL RESERVOIR) M6 X 10
15	CH15146	PACKING	1		(USED WITH ALUMINUM RESERVOIR)
16	M800963	STRAINER	1		(USED WITH ALUMINUM RESERVOIR)
16	M802035	STRAINER	1		(USED WITH SHEET METAL RESERVOIR)
17	19M7774	SCREW	2		(USED WITH ALUMINUM RESERVOIR) (USED WITH SHEET METAL RESERVOIR) M6 X 12
17	M87869	BOLT	2		(USED WITH SHEET METAL RESERVOIR)
18	CH19141	BOLT	2		(USED WITH ALUMINUM RESERVOIR)
..	M64850	SEALANT	1		LIQUID GASKET



KEY	PART NO.	PART NAME	QTY	REMARKS
1	14M7273	NUT	4	M8
2	12M7065	LOCK WASHER	4	8 mm
3	AM100747	SHIM	1	KIT. (INCLUDES (2) .2 MM (.008) (2) .3 MM (.012) AND (1) .5 MM (.020) SHIMS)
4	CH12293	PIN	2	
5	CH15722	STUD	4	
6	CH19140	BOLT	2	
7	CH15377	COVER	1	
8	M805703	GASKET	1	(SUB FOR CH15378)
9	AM875575	GEAR CASE	1	NLA (WITHOUT PUMP COVER)
10	M800006	DOWEL PIN	2	
11	M800007	PLUG	1	
12	19M7775	SCREW	5	M6 X 16, (SUB FOR M87868)
13	CH12294	PIN	2	
14	M89142	GASKET	1	
15	AM875039	ROTOR	1	
16	AM875006	OIL PUMP	1	
17	19M7077	CAP SCREW	3	M6 X 20
18	12M7006	LOCK WASHER	3	6 mm



MP4676

KEY	PART NO.	PART NAME	QTY	REMARKS
1	GASKET	1	(MAKE FROM M64850 ADHESIVE / SEALANT)
2	M805710	CAP	1	(SUB FOR CH10332)
3	M805711	PACKING	1	(SUB FOR CH15414, THIS APPLICATION)
4	M800006	DOWEL PIN	2	
5	M811563	SEAL	1	(SUB FOR M87821)
6	AM875024	COVER	1	(SUB FOR AM875589)
7	M800065	BOLT	6	
8	19M7797	SCREW	3	M6 X 40, (SUB FOR M800008)
9	M88089	BOLT	2	
10	CH13526	PACKING	1	
11	AM875580	TACHOMETER	1	GEAR UNIT ASSEMBLY
12	M800009	BOLT	4	
13	CH19141	BOLT	5	M6 X 30

Please write to us.

Our email:

aservicemanualpdf@yahoo.com

**Please go to the homepage
to get the full manual, or
other brand PDF manuals.**

Home Site:

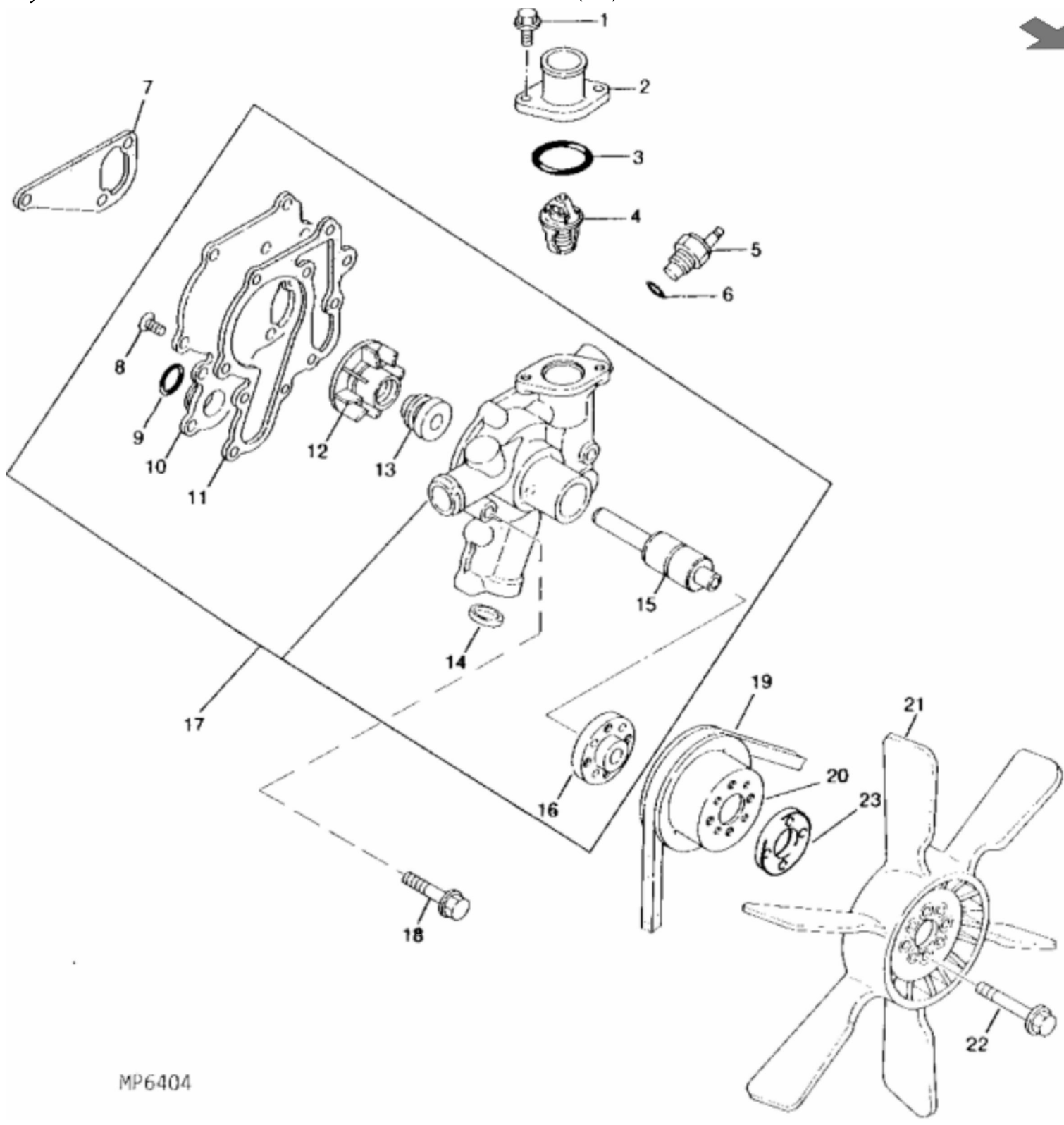
aservicemanualpdf.com

Thank you very much for your reading. Please Click Here. Then Get COMPLETE MANUAL. NO WAITING



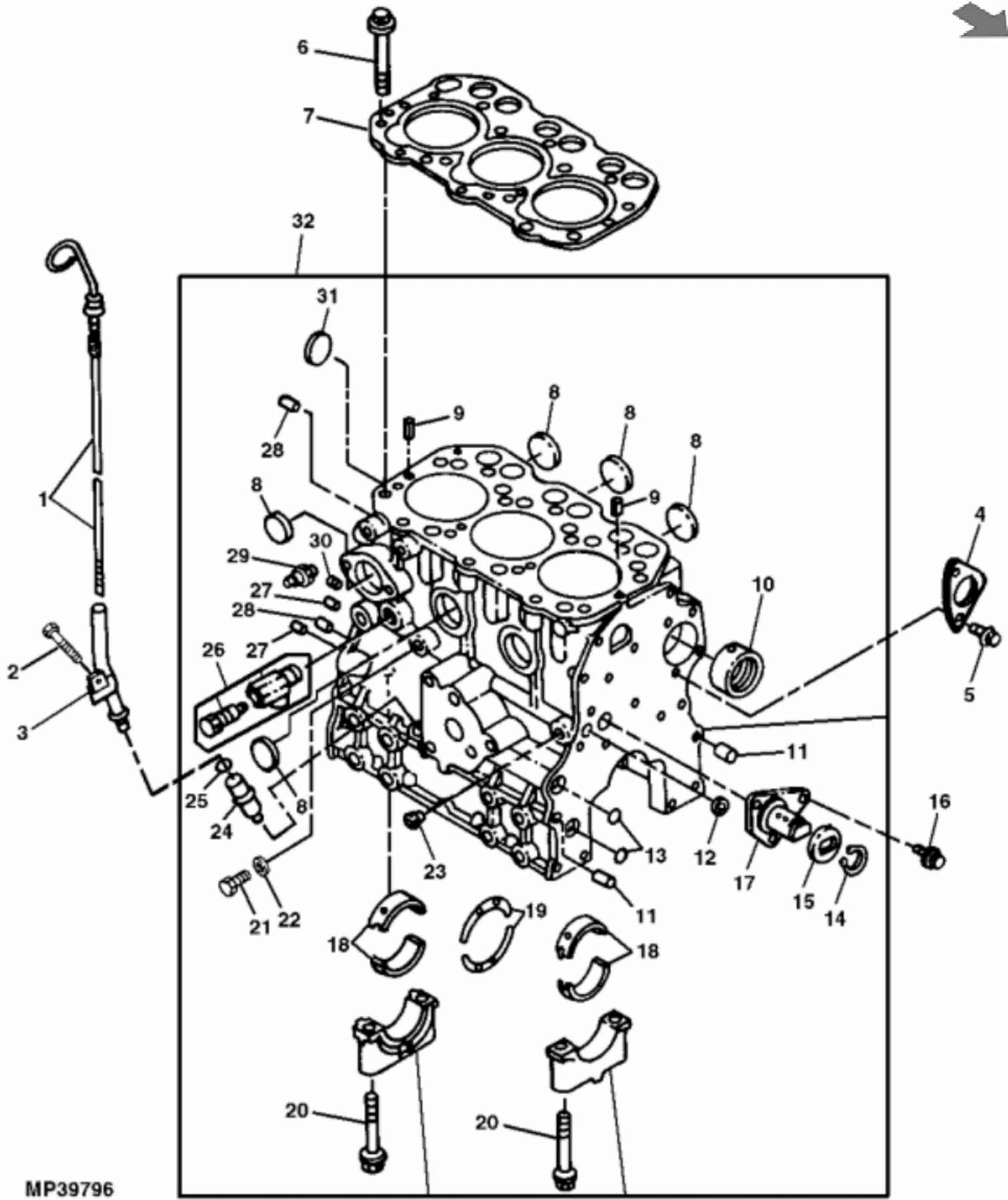
NOTE:

If there is no response to click on the link above, please download the PDF document first and then click on it.



MP6404

KEY	PART NO.	PART NAME	QTY	Engine Serial No.	REMARKS
1	M88089	BOLT	2		
2	M800049	COVER	1		
3	AT264324	O-RING	1		(SUB FOR CH10572 OR T32587)
4	AM875009	THERMOSTAT	1		71°C (160°F)
4	M805563	THERMOSTAT	1		82°C (180°F)
5	CH15516	SWITCH	1		COOLANT TEMPERATURE
6	CH13814	WASHER	1		SENDER, WATER TEMPERATURE
7	M800047	GASKET	1		
8	21M7194	SCREW	6		M6 X 12, (SUB FOR M800087)
9	M800086	PACKING	1		
10	M800085	COVER	1		
11	M805822	GASKET	1		(SUB FOR M800084)
12	M87899	IMPELLER	1		(ORDER AM878167)
13	M800083	SEAL	1		(ORDER AM878167)
14	M800088	PLUG	1		
15	M800081	SHAFT	1		(ORDER AM878167)
16	M800082	FLANGE	1		(ORDER AM878167)
17	AM875008	WATER PUMP	1		(SUB AM878167)
18	CH19101	BOLT	3		
19	M800313	V-BELT	1		876 MM (34.5")
20	M87905	PULLEY	1		
21	CH16048	FAN	1		
22	CH18443	BOLT	4		
23	M802003	HUB	1	008551-_____	SPACER - BEHIND FAN



MP39796