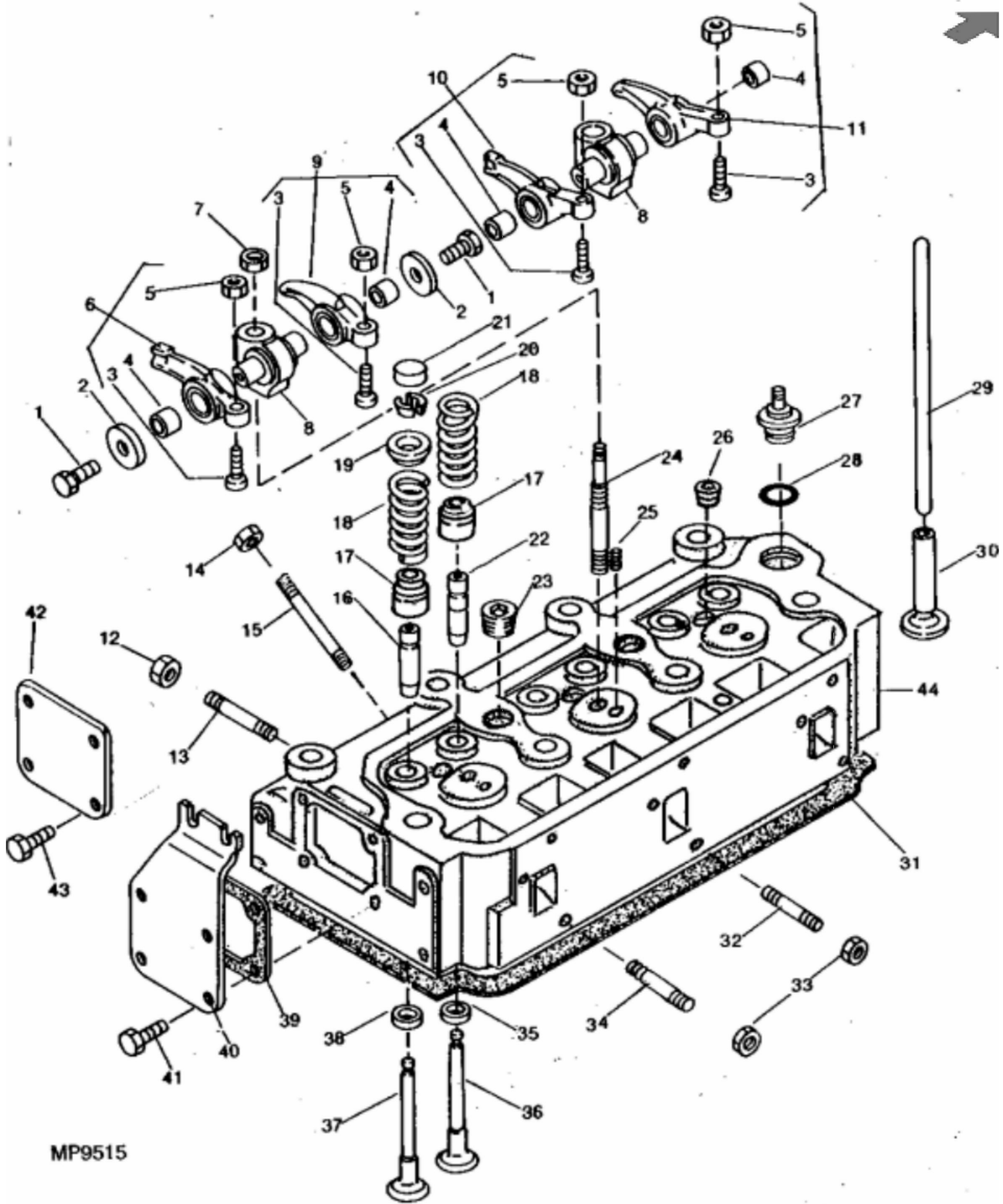


MP9515

KEY	PART NO.	PART NAME	QTY	850	950	1050	REMARKS
1	CH19095	BOLT	6				
2	24M7100	WASHER	6				6.600 X 22 X 2 mm
3	CH10107	SCREW	6				
4	CH12843	BUSHING	6		X	X	
5	14M7273	NUT	6				M8
6	CH12916	ROCKER ARM	2		X	X	EXHAUST, NO. 1 AND 2 (NLA)
6	CH14197	ROCKER ARM	2	X			(A) EXHAUST, NO. 1 AND 2 (NLA)
7	CH10449	NUT	3		X	X	(B) (C) (NLA)
7	14M7274	NUT	3	X			M10, (A)
8	CH12844	SUPPORT	3		X	X	
8	CH14191	SUPPORT	3				(NLA)
9	CH12915	ROCKER ARM	2		X	X	INTAKE, NO. 1 AND 2
9	CH14196	ROCKER ARM	2	X			INTAKE, NO. 1 AND 2 (DOES NOT INCLUDE CH12843 BUSHING) (NLA)
10	CH12917	ROCKER ARM	1		X	X	EXHAUST, NO. 3 (NLA)
10	CH14198	ROCKER ARM	1	X			EXHAUST, NO. 3 (DOES NOT INCLUDE CH12843 BUSHING) (NLA)
11	CH12918	ROCKER ARM	1		X	X	INTAKE, NO. 3
11	CH14199	ROCKER ARM	1	X			INTAKE, NO. 3 (DOES NOT INCLUDE CH12843 BUSHING) (NLA)
12	14M7298	FLANGE NUT	2				M8, (A) (B) (C)
13	CH10206	STUD	2				(A) (B) (C)
14	14M7273	NUT	6				M8, (A) (B) (C)
15	CH12381	STUD	10				(A) (B) (C)
16	CH19595	GUIDE	3		X	X	(B) (C) EXHAUST (SUB FOR CH16046)
16	CH16044	GUIDE	3	X			(A) EXHAUST
17	CH10450	SEAL	6		X	X	(B) (C)
17	CH10346	SEAL	6	X			(A)
18	CH10093	SPRING	6		X	X	(B) (C)
18	CH10086	SPRING	6	X			(A)
19	CH10066	HOLDER	6		X	X	(B) (C)
19	CH10343	HOLDER	6	X			(A)
20	CH10067	RETAINER	6		X	X	NLA, (B) (C) (SUB AM878862)
20	CH10054	RETAINER	6	X			NLA; (A); SUB AM100828

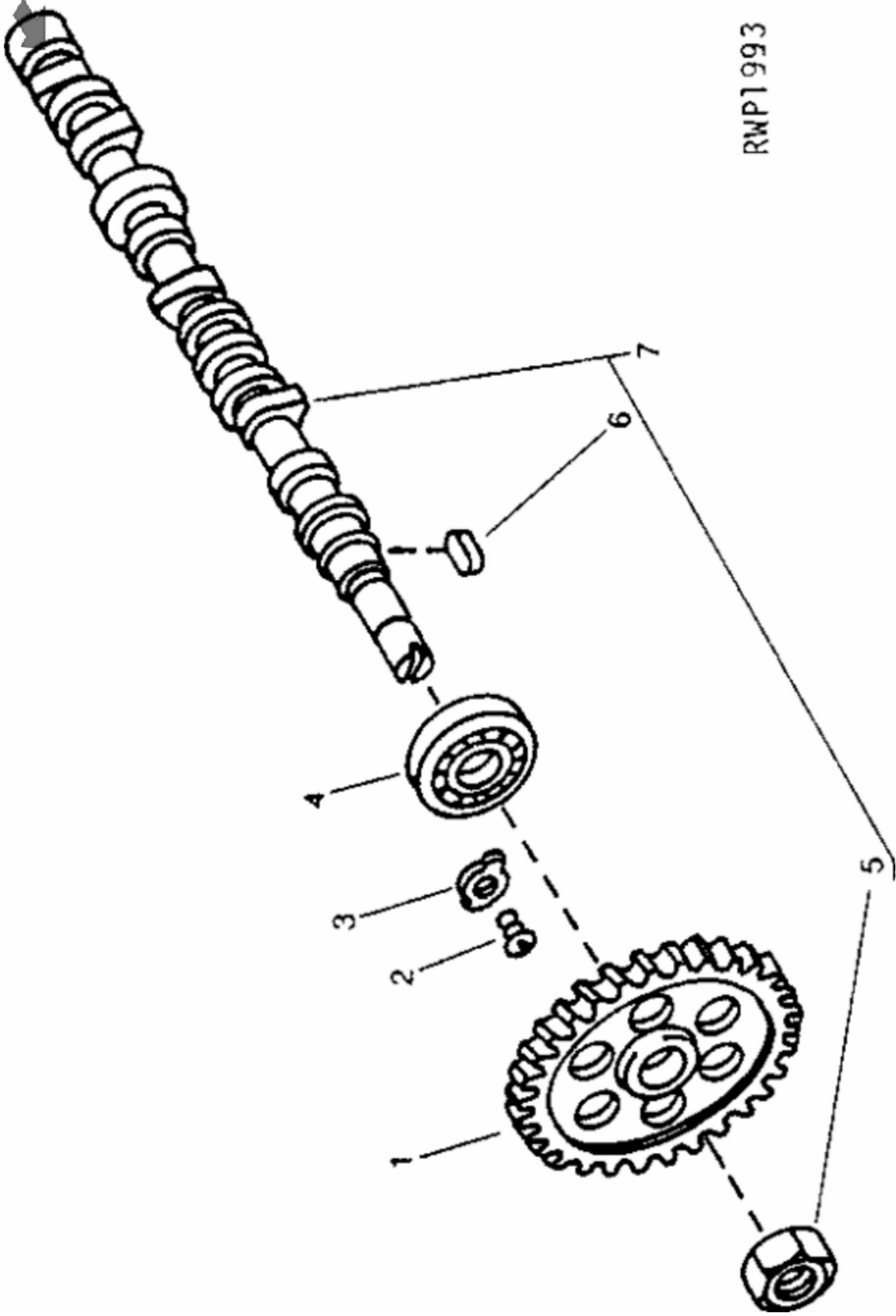
KEY	PART NO.	PART NAME	QTY	850	950	1050	REMARKS
20	AM100828	RETAINER KIT	6	X	X	X	
21	CH12586	CAP	6		X	X	
21	CH12585	CAP	6	X			
22	M801227	GUIDE	3		X	X	(B) (C) INTAKE, (SUB FOR CH16045)
22	CH16043	GUIDE	3	X			(A) INTAKE
23	CH10560	PLUG	2		X	X	(B) (C)



MP9515

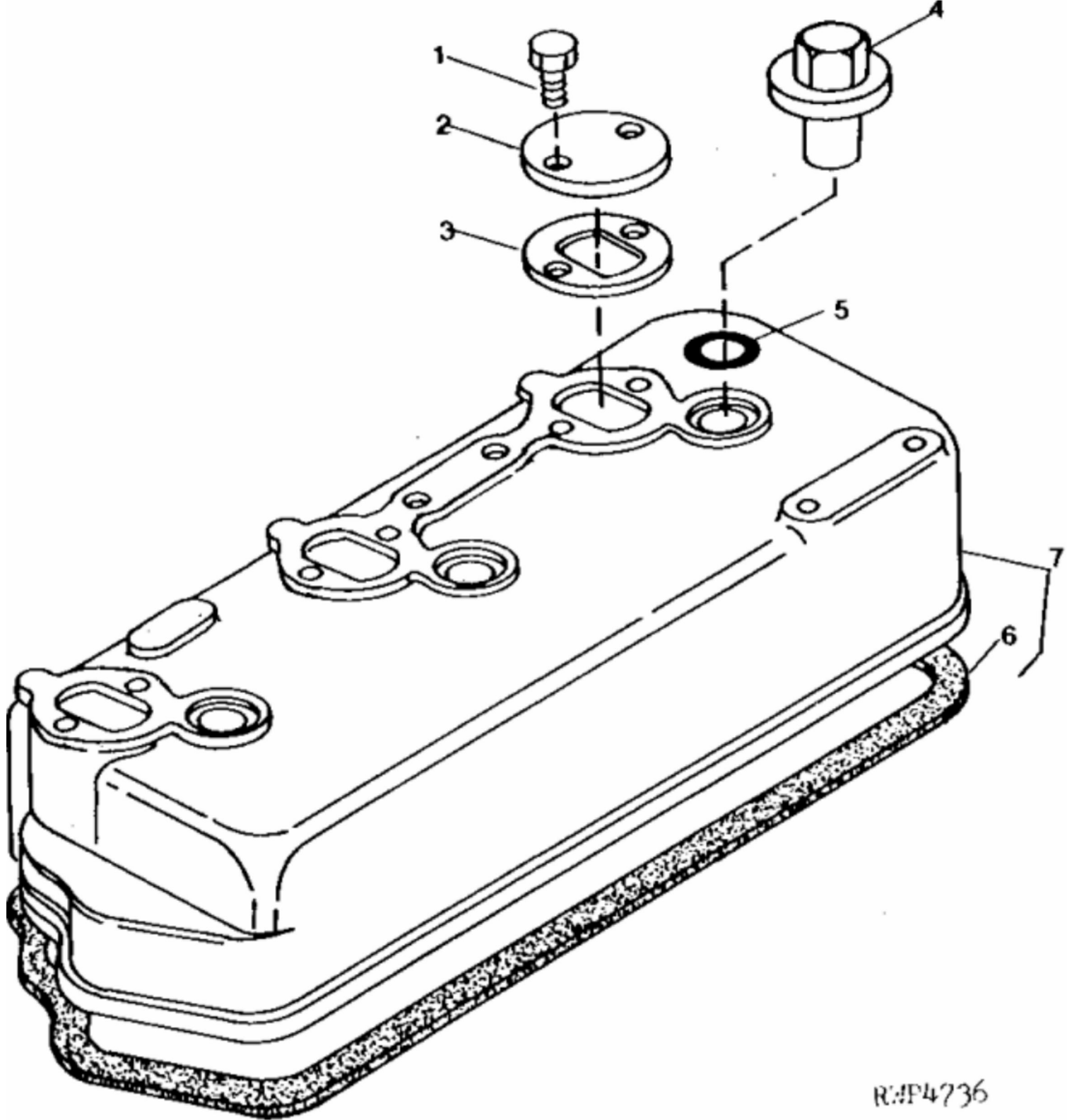
KEY	PART NO.	PART NAME	QTY	Engine Serial No.	850	950	1050	REMARKS
24	CH10098	STUD	3			X		(B) (C)
24	CH10347	STUD	3		X			(A)
25	CH18079	SPRING PIN	3					(A) (B) (C)
26	15H559	PIPE PLUG	3					1/4", (A) (B) (C)
27	CH19842	VALVE	1				X	(C) (SUB FOR CH12903)
27	CH19841	VALVE	1		X			(A) (B) (SUB FOR CH11776)
28	CH11811	PACKING	1					(A) (B) (C)
29	CH10407	PUSH ROD	6			X		
29	CH10351	PUSH ROD	6		X			
30	CH10069	FOLLOWER	6					
31	M808712	GASKET	1	____-089472		X		(NO SERIAL NO. BREAK FOR 950) (SUB FOR CH12897 OR M810713)
31	CH19594	ENGINE CYLINDER HEAD GASKET	1	089473-____			X	
31	MIU800109	ENGINE CYLINDER HEAD GASKET	1		X			(SUB FOR CH10115)
32	CH12909	STUD	2				X	(C)
32	CH10225	STUD	6		X			(A) (B)
33	14M7298	FLANGE NUT	6					M8, (A) (B) (C)
34	CH12381	STUD	4				X	(C)
35	CH16038	INSERT	3	____-089472			X	30°, INTAKE
35	CH19830	INSERT	3	089473-____			X	(C) INTAKE
35	CH12956	INSERT	3	____-207490		X		INTAKE VALVE
35	CH19582	INSERT	3	207491-____		X		(B) INTAKE VALVE
36	CH16037	INTAKE VALVE	3				X	30°, (C)
36	CH10055	INTAKE VALVE	3		X			(A)
36	CH10094	INTAKE VALVE	3			X		(B)
37	CH15725	EXHAUST VALVE	3				X	45°, (C)
37	CH10056	EXHAUST VALVE	3		X			(A)
37	CH10095	EXHAUST VALVE	3			X		(B)
38	CH12957	INSERT	3	____-089472			X	45°, EXHAUST VALVE
38	CH19583	INSERT	3	089473-____			X	(C) EXHAUST VALVE
38	CH12957	INSERT	3	____-207490		X		EXHAUST VALVE
38	CH19583	INSERT	3	207491-____		X		(B) EXHAUST VALVE
39	CH10402	GASKET	1					(A) (B)

KEY	PART NO.	PART NAME	QTY	Engine Serial No.	850	950	1050	REMARKS
40	CH12849	BRACKET	1				X	(C)
41	19M7864	SCREW	4			X	X	M8 X 12, (B) (C)
41	19M7864	SCREW	3		X			M8 X 12, (A)
42	CH10401	COVER	1		X			(A) (B)
43	CH11601	BOLT	1		X			
44	AM877960	CYLINDER HEAD	1		X			(INCLUDES PARTS MARKED (A)) (SUB FOR CH13639)
44	AM877953	CYLINDER HEAD	1			X		(INCLUDES PARTS MARKED (B)) (SUB FOR CH19588 OR CH14086)
44	AM877955	CYLINDER HEAD	1				X	(INCLUDES PARTS MARKED (C)) (SUB FOR CH16040 AND CH19589)



RWP1993

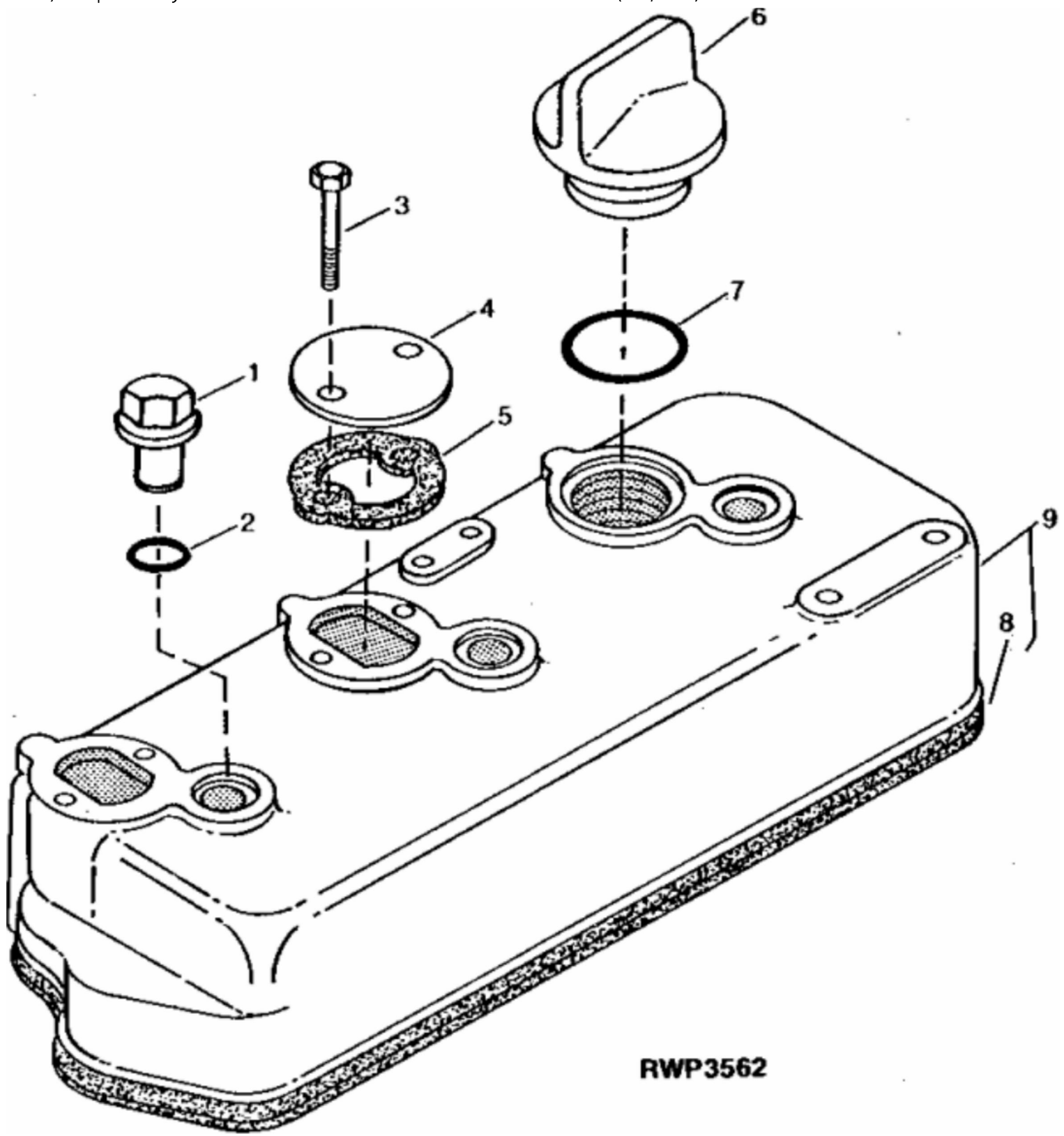
KEY	PART NO.	PART NAME	QTY	850	950	1050	REMARKS
1	CH10229	STEERING GEAR	1				(NLA)
2	21M7361	SCREW	1				M8 X 12
3	CH10193	RETAINER	1				(NLA)
4	CH14887	BALL BEARING	1				(SUB FOR CH10505)
5	CH10406	NUT	1				(NLA)
6	CH10545	KEY	1				M7 X 18, NLA
7	CH10658	CAMSHAFT	1	X			(NLA)
7	CH10675	CAMSHAFT	1		X	X	(NLA)



R:P4736

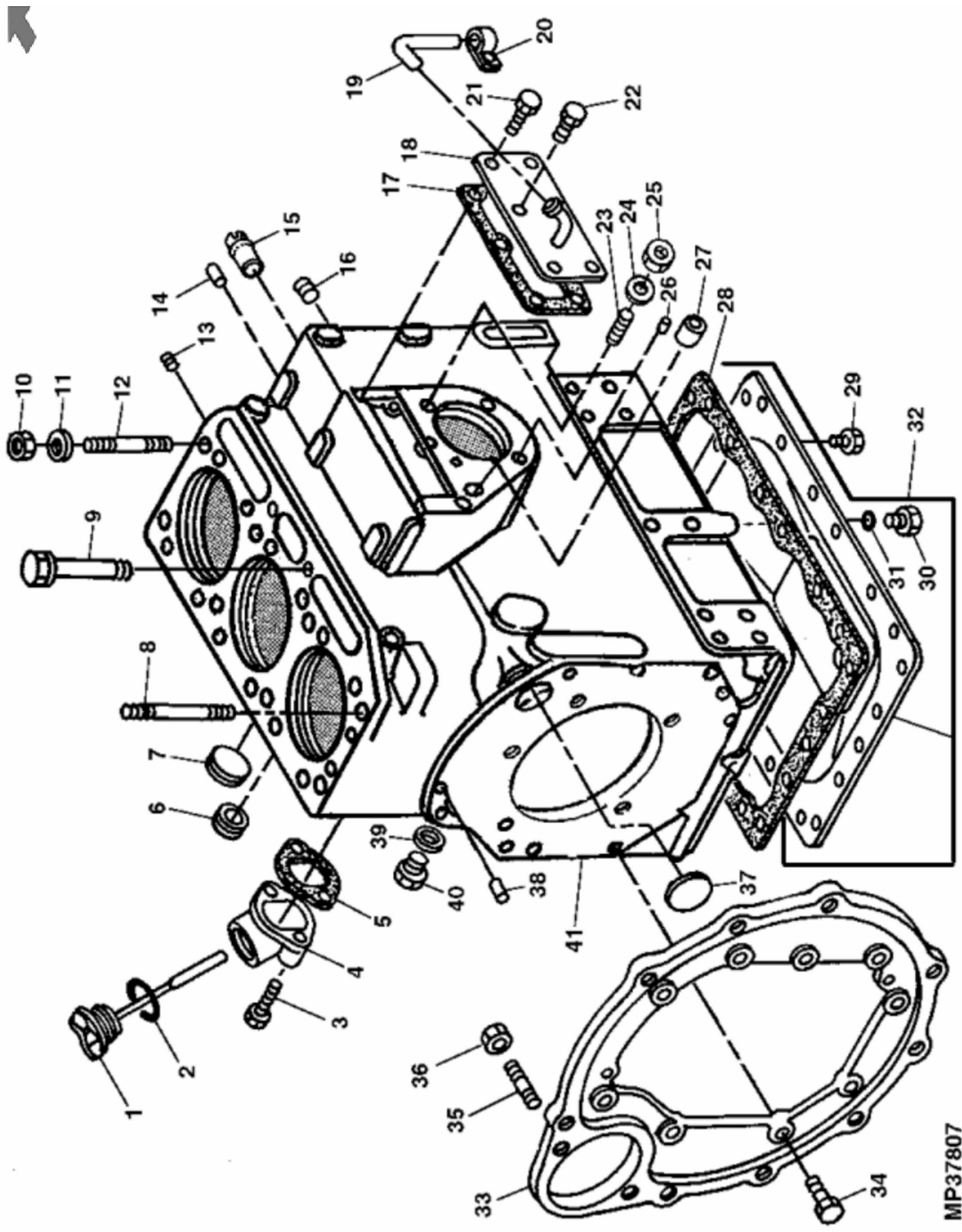
John Deere > Turf And Utility > TRACTOR, COMPACT UTILITY > 950 - TRACTOR, COMPACT UTILITY > 850 (16001-), 950 (20001-) and 1050 (11001-) Compact Utility Tractors > 20 ENGINE > ST631279 -
 ROCKER ARM COVER (850)

KEY	PART NO.	PART NAME	QTY	REMARKS
1	19M7300	CAP SCREW	6	M6 X 10
2	CH10446	COVER	3	
3	CH12817	GASKET	3	(SUB FOR CH12817)
4	CH10348	NUT	3	
5	CH10568	PACKING	3	
6	CH10129	GASKET	1	
7	CH14073	COVER	1	(NLA)



John Deere > Turf And Utility > TRACTOR, COMPACT UTILITY >950 - TRACTOR, COMPACT UTILITY >850 (16001-), 950 (20001-) and 1050 (11001-) Compact Utility Tractors >20 ENGINE >ST631280 -
ROCKER ARM COVER (950/1050)

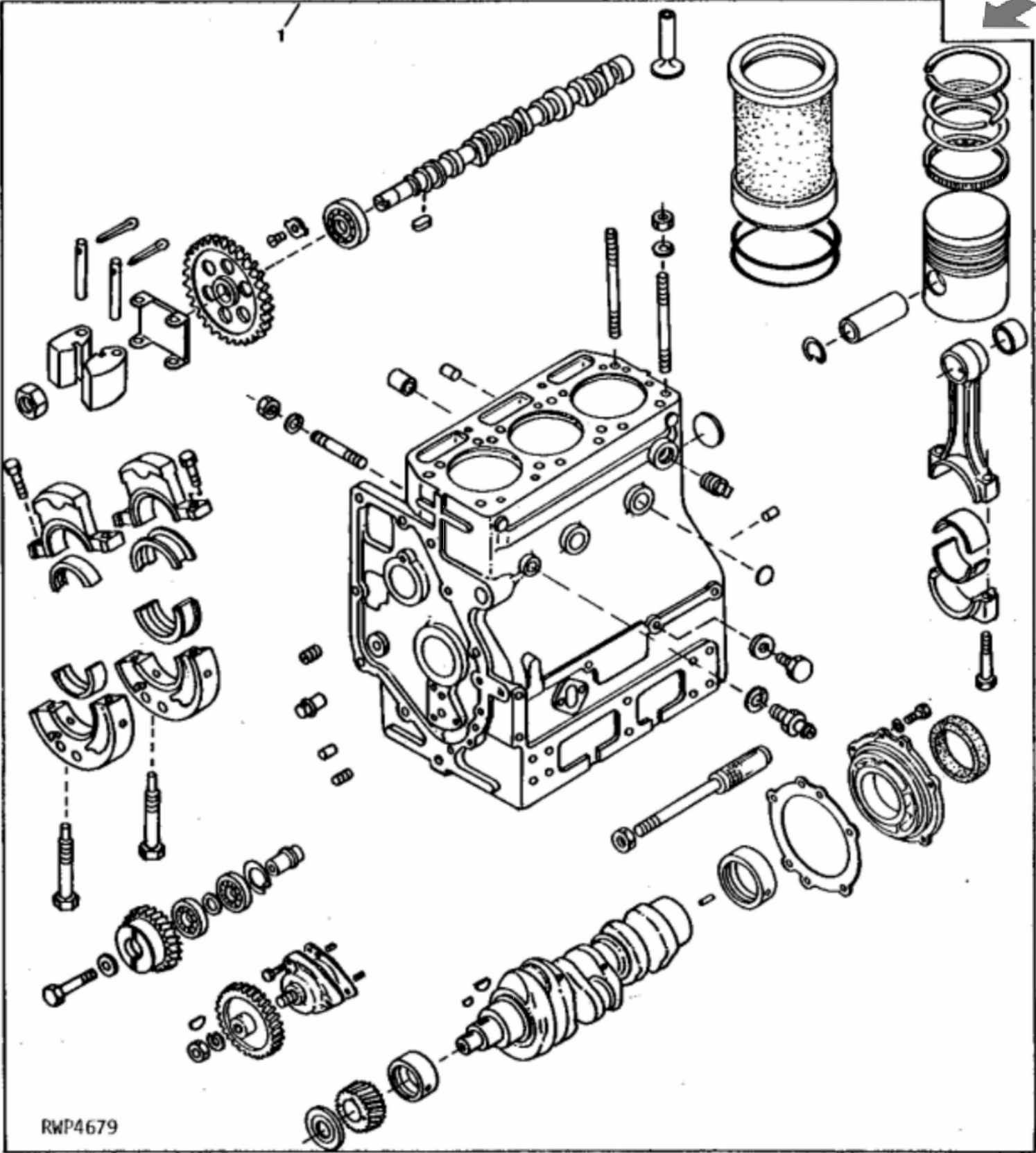
KEY	PART NO.	PART NAME	QTY	950	1050	REMARKS
1	CH10451	BOLT	3	X	X	
2	CH10569	PACKING	3	X	X	
3	19M7300	CAP SCREW	4	X	X	M6 X 10
4	CH10446	COVER	2	X	X	
5	M811640	GASKET	2	X	X	(SUB FOR CH12817)
6	M805710	CAP	1	X	X	(SUB FOR CH10332)
7	T32587	O-RING	1	X	X	(SUB FOR CH10572)
8	CH13884	ENGINE CYLINDER HEAD GASKET	1	X	X	
9	CH14074	COVER	1	X	X	(NLA)



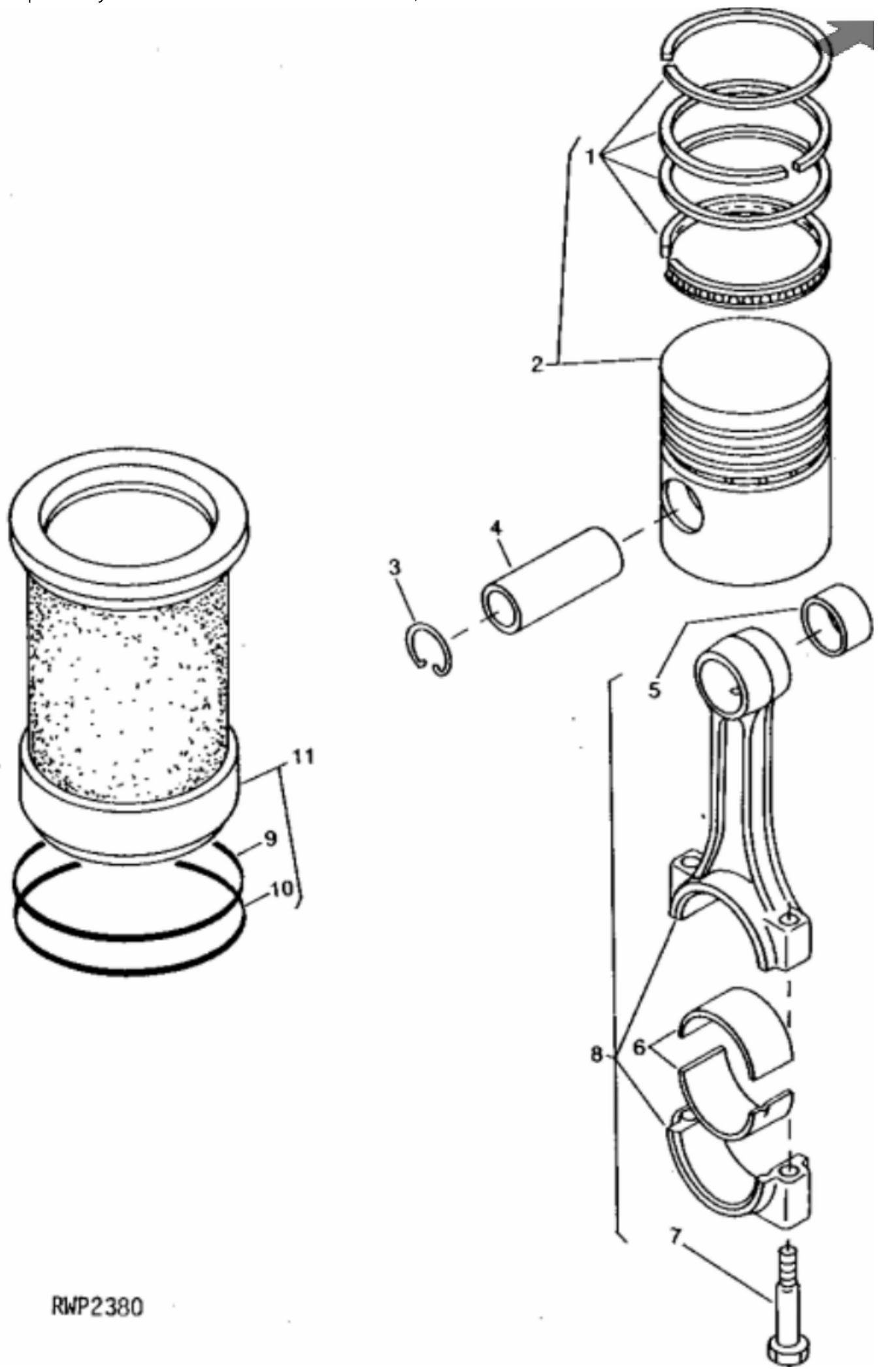
MP37807

KEY	PART NO.	PART NAME	QTY	850	950	1050	REMARKS
1	CH10178	DIPSTICK	1		X	X	NLA
1	CH10119	DIPSTICK	1	X			(NLA)
2	CH15414	PACKING	1				
3	19M7298	CAP SCREW	2				M8 X 35
4	CH10173	FLANGE	1				(NLA)
5	M810521	GASKET	1				(SUB FOR CH12818)
6	15H562	PIPE PLUG	1				1", (A) (B)
7	30M7023	PLUG	2				(A) (B)
8	CH10385	BOLT	1		X	X	(B)
8	CH10326	BOLT	1	X			(A)
9	CH12841	BOLT	2		X	X	M10 X 100
10	CH10387	NUT	8		X	X	(B)
10	CH10087	NUT	8	X			(A)
11	CH10386	WASHER	8		X	X	(B)
11	CH10065	WASHER	8	X			(A)
12	CH10384	BOLT	7		X	X	(B)
12	CH10325	BOLT	7	X			(A)
13	CH10314	PLUG	2				(A) (B)
14	M802255	PIN	2				(A) (B) (SUB FOR CH10534)
15	CH10363	PIPE	1				(A) (B)
16	CH10335	PLUG	1				PT 1/4", (A) (B)
17	M811639	GASKET	1				(SUB FOR CH12815)
18	CH10179	COVER	1				
19	CH10552	PIPE	1				M9 X 500
20	CH10331	CLAMP	1				
21	CH19140	BOLT	2				M6 X 14
22	19M7864	SCREW	4				M8 X 12
23	CH15722	STUD	2		X	X	M8 X 22, (A) (B)
24	12M7065	LOCK WASHER	2				8 mm, (A) (B)
25	14M7298	FLANGE NUT	2				M8, (A) (B)
26	CH10532	PIN	1				M4 X 10, (A) (B) (NLA)
27	CH10465	BUSHING	1				(A) (B)
28	M811638	GASKET	1		X	X	(SUB FOR CH12821)
28	M811637	GASKET	1	X			(SUB FOR CH12820)

KEY	PART NO.	PART NAME	QTY	850	950	1050	REMARKS
29	CH19780	BOLT	20				(SUB FOR CH12839)
30	CH10315	PLUG	1				
31	CH10569	PACKING	1				
32	CH12810	OIL PAN	1		X	X	
32	CH15733	OIL PAN	1	X			
33	CH10175	FLANGE	1		X	X	(NLA)
33	CH10116	FLANGE	1	X			
34	CH13938	BOLT	9				M10 X 28
35	CH10389	STUD	2				(NLA)
36	14M7275	NUT	2				M12
37	M806843	PLUG	1		X	X	M40, (B) (SUB FOR CH10640)
37	M809593	PLUG	1	X			(A) (SUB FOR CH10641)
38	CH10535	PIN	2				M8 X 20, (A) (B)
39	CH10183	PACKING	3	X	X		M10, (A) (B)
39	CH10183	PACKING	2			X	(B)
40	CH10561	PLUG	3	X	X		M10, (A) (B)
40	CH10561	PLUG	2			X	(B)
41	CH12048	CYLINDER BLOCK	1	X			(INCLUDES PARTS MARKED (A))
41	CH18173	CYLINDER BLOCK	1		X	X	(INCLUDES PARTS MARKED (B)) (NLA)

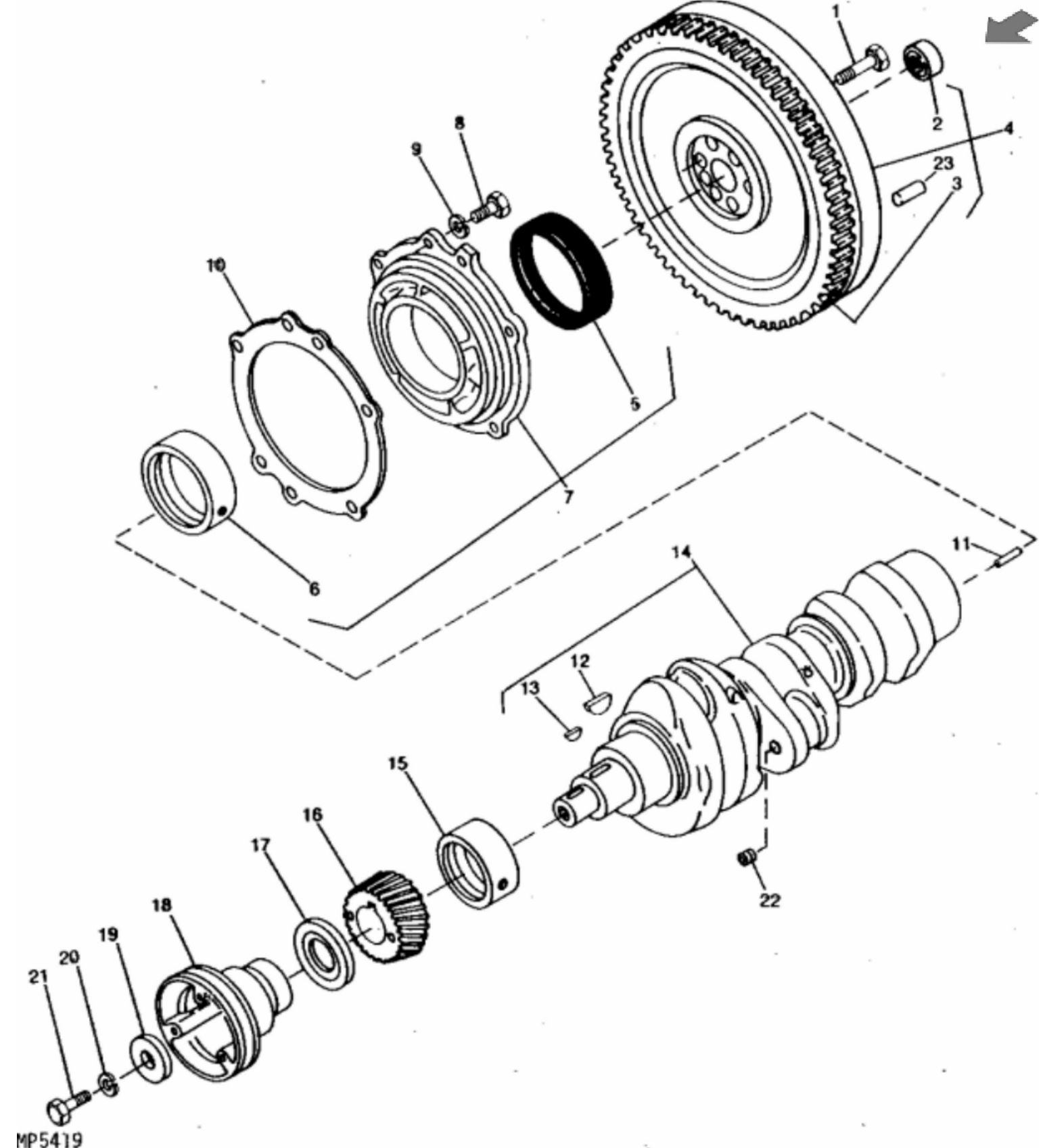


KEY	PART NO.	PART NAME	QTY	850	950	1050	REMARKS
1	CH14166	SHORT BLOCK ASSEMBLY	1	X			
1	CH18171	SHORT BLOCK ASSEMBLY	1		X		
1	CH19590	SHORT BLOCK ASSEMBLY	1			X	(SUB FOR CH18172)



RWP2380

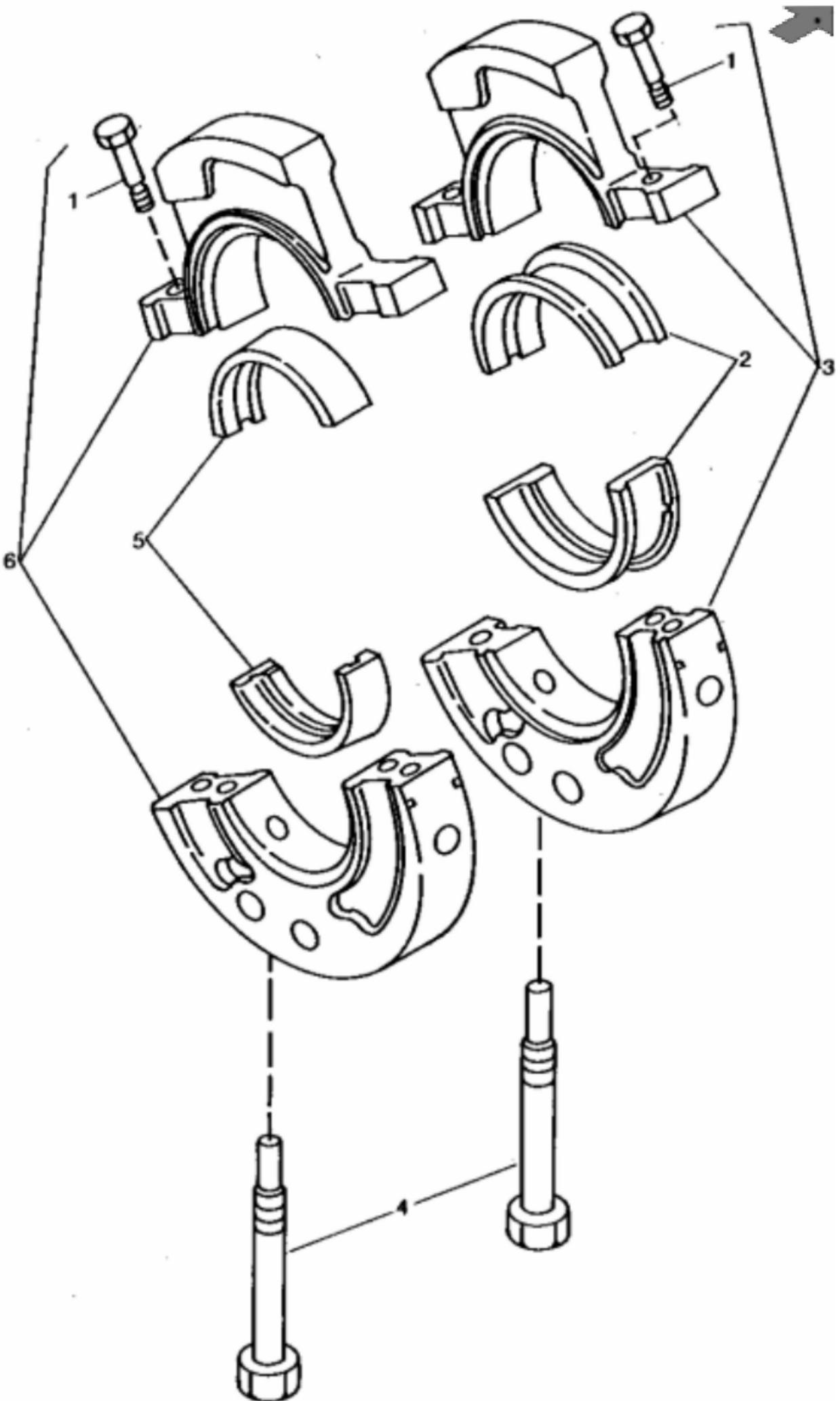
KEY	PART NO.	PART NAME	QTY	Engine Serial No.	850	950	1050	REMARKS
1	CH12046	PISTON RING	3		X			
1	CH12053	PISTON RING	3			X		
1	CH12924	PISTON RING	3				X	
2	CH10355	PISTON RING	3		X			(44.8 MM), HEAD TO PIN DIMENSION
2	CH11803	PISTON RING	3			X		
2	CH15731	PISTON RING	1				X	
3	CH10071	RING	6		X			
3	CH10096	RING	6			X		
4	CH10070	PIN	3		X			
4	CH11762	PIN	3			X		
5	MIU801273	BUSHING	3		X			(SUB FOR CH10357)
5	M806859	BUSHING	3			X		(SUB FOR CH10410)
6	AM875927	BEARING	3		X			(SUB FOR CH10358)
6	AM875933	BEARING	3		X			0.25MM (.0098") US, (SUB FOR CH17671)
6	AM875934	BEARING	3		X			0.50 mm, NLA; SUB FOR CH17672
6	AM875930	BEARING	3			X	X	(SUB FOR CH10412 OR CH20071)
6	AM875937	BEARING	3			X	X	0.25MM(.0098") US, (SUB FOR CH17681)
6	AM875938	BEARING	3			X	X	0.50MM (.0197") US, (SUB FOR CH17682)
7	CH10092	BOLT	6		X			
7	CH10411	BOLT	6			X		
8	CH10682	ROD	3		X			
8	CH10683	ROD	3			X		
9	CH10327	PACKING	3		X			
9	CH16109	PACKING	3			X		(SUB FOR CH10464)
10	CH13580	O-RING	3		X			
10	CH13596	O-RING	3			X		
11	CH13597	CYLINDER LINER	3		X			
11	CH13598	CYLINDER LINER	3			X		
11	CH15730	CYLINDER LINER	3	_____089472			X	(FIBER) M808712 HEAD GASKET FOR 950/1050 SN. -11173
11	CH19591	CYLINDER LINER	3	089473-_____			X	(METALLIC) CH19594 HEAD GASKET SN. 11174-



MP5419

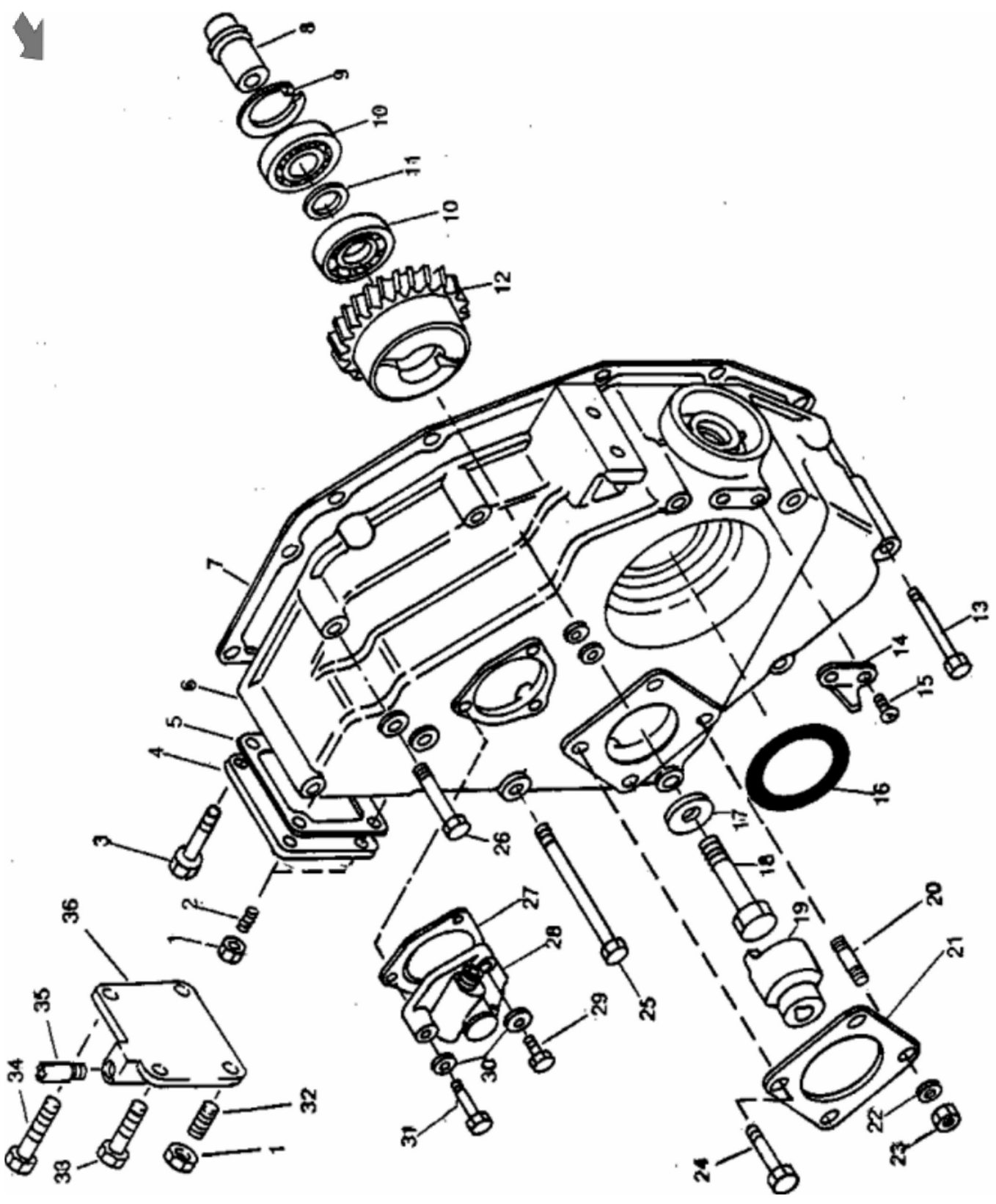
KEY	PART NO.	PART NAME	QTY	Tractor Serial No.	850	950	1050	REMARKS
1	CH19291	BOLT	5		X			M10-1.25 X 32
1	CH10364	BOLT	6			X	X	
1	CH20081	BOLT	AR					M10 X 1.25 X 41
2	CH19289	BALL BEARING	1		X			
2	JD8504	BALL BEARING	1			X	X	(SUB FOR JD9449, THIS APPLICATION)
3	CH10466	GEAR	1					
4	AM875429	FLYWHEEL	1		X			
4	AM875432	FLYWHEEL	1			X	X	(NLA)
5	CH10340	SEAL	1		X			
5	CH10191	SEAL	1			X	X	
6	CH10338	BEARING	1		X			
6	CH17665	BEARING	1		X			0.25MM (.0098") US
6	CH17667	BEARING	1		X			0.50MM (.0197") (US), (NLA)
6	CH20067	BEARING	1			X	X	(SUB FOR CH10188)
6	CH17675	BEARING	1			X	X	0.25MM (.0098") (US)
7	CH10681	HOUSING	1		X			NLA
7	CH12167	HOUSING	1			X	X	NLA
8	19M7402	CAP SCREW	5					M10 X 25
9	12M7066	LOCK WASHER	5					10 mm
10	CH10339	GASKET	1		X			
10	CH10445	GASKET	1			X	X	
11	M802255	PIN	1		X			(SUB FOR CH10534)
11	CH10365	PIN	1			X	X	
12	CH10547	SHAFT KEY	1					M7 X 28 (M4 TAPPED HOLE), (SUB CH15332)
12	CH15332	KEY	1					(NO TAPPED HOLE)
13	CH10546	SHAFT KEY	1					M7 X 24 (M4 TAPPED HOLE), (SUB M802215)
13	M802215	KEY	1					(NO TAPPED HOLE)
14	CH10659	CRANKSHAFT	1		X			
14	CH20055	CRANKSHAFT	1			X		(SUB FOR CH10676)
14	CH20055	CRANKSHAFT	1				X	(SUB FOR CH10676)
15	CH10338	BEARING	1		X			

KEY	PART NO.	PART NAME	QTY	Tractor Serial No.	850	950	1050	REMARKS
15	CH17665	BEARING	1		X			0.25MM (.0098") (US)
15	BEARING	1		X			0.50MM (.0197") (US)
15	CH20066	BEARING	1			X	X	(SUB FOR CH10187)
15	CH17673	BEARING	1			X	X	0.25MM (.0098") (US)
16	CH10231	SPUR GEAR	1					
17	CH10353	DISK	1					
18	CH19286	PULLEY	1					NLA
19	CH10317	WASHER	1					(NLA)
20	12M7067	LOCK WASHER	1					12 mm
21	CH10612	BOLT	1					M12 X 30
22	CH20054	PLUG	3	21833-_____		X		
22	CH20054	PLUG	3	13246-_____			X	
23	CH13682	PIN	2					



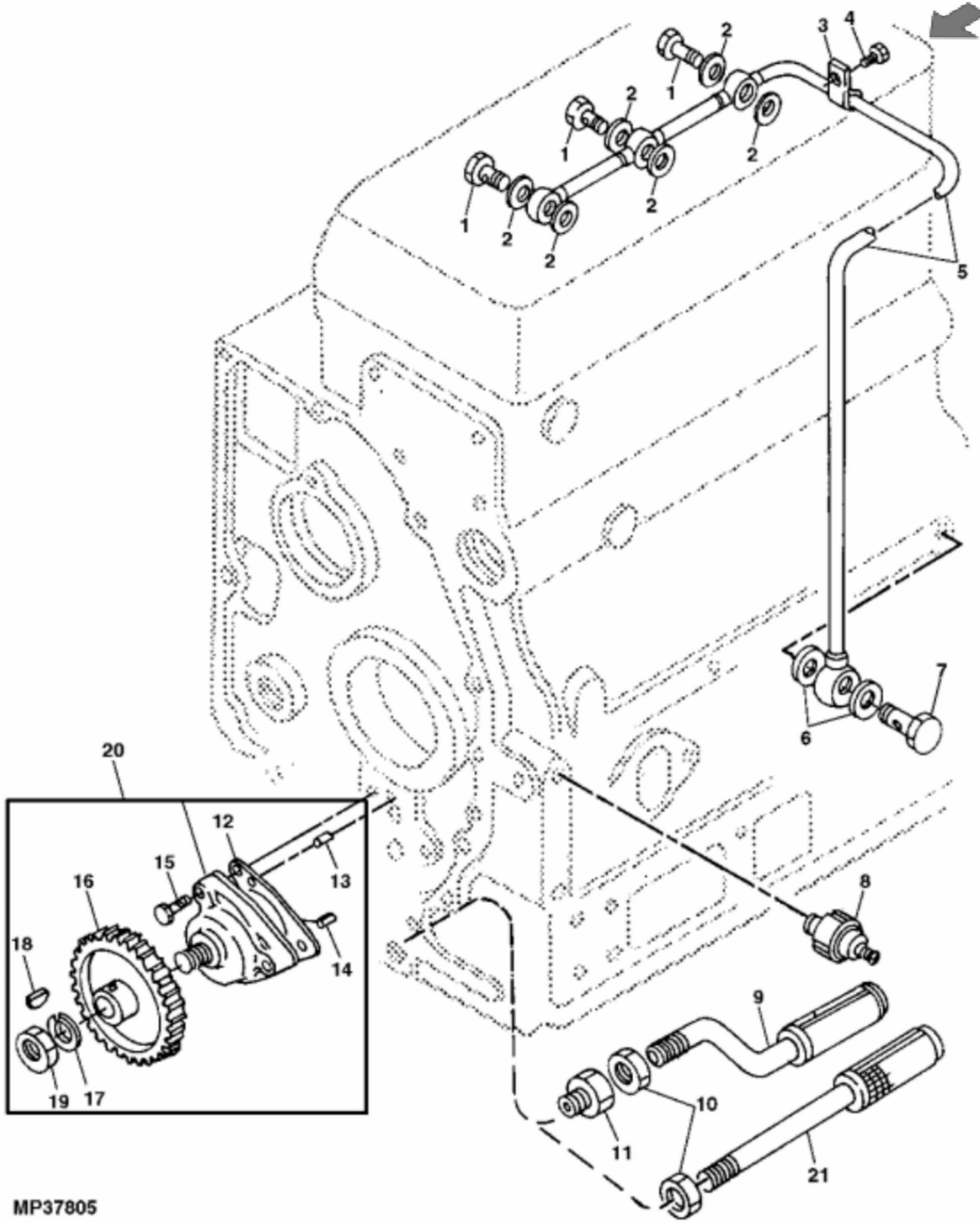
R5P4737

KEY	PART NO.	PART NAME	QTY	850	950	1050	REMARKS
1	CH12840	BOLT	4				M10 X 45
2	AM875925	BEARING	2	X			(SUB FOR CH10122)
2	AM875931	BEARING	2	X			0.25MM (.0098") US, (SUB FOR CH17666)
2	CH17668	BEARING	1	X			0.50MM (.0197") (US), (NLA)
2	AM875928	BEARING	1		X	X	(SUB FOR CH10189 OR CH20068)
2	AM875935	BEARING	1		X	X	0.25MM (.0098") (US), (SUB FOR CH17677)
3	CH14050	HOUSING	1	X			
3	CH12912	HOUSING	1		X	X	
4	CH10124	BOLT	2				
5	AM875926	BEARING	1	X			(SUB FOR CH10123)
5	AM875932	BEARING	1	X			0.25MM (.0098") US, (SUB FOR CH17669)
5	CH17670	BEARING	1	X			0.50MM (.0197") (US), (NLA)
5	AM875929	BEARING	2		X	X	(SUB FOR CH10190 OR CH20069)
5	AM875936	BEARING	2		X	X	0.25MM (.0098") (US), (SUB FOR CH17679)
6	CH14051	HOUSING	1	X			
6	CH12913	HOUSING	1		X	X	(NLA)



KEY	PART NO.	PART NAME	QTY	850	950	1050	REMARKS
1	14M7298	FLANGE NUT	2				M8
2	CH12574	STUD	2	X	X		M8 X 14
3	19M7864	SCREW	2	X	X		M8 X 12
4	CH10174	COVER	1	X	X		
5	M811636	GASKET	1				(SUB FOR CH12814)
6	CH10328	GEAR CASE	1				(NLA)
7	M811635	GASKET	1				(SUB FOR CH12819)
8	CH10239	SHAFT	1				
9	40M7225	SNAP RING	1				
10	CH10564	BEARING	2				
11	CH10238	SPACER	1				
12	CH10237	STEERING GEAR	1				(NLA)
13	19M7801	SCREW	2				M8 X 60
14	CH10393	POINTER	1				(NLA)
15	21M7279	SCREW	2	X	X		M6 X 10
16	CH10390	SEAL	1				
17	CH10413	WASHER	1				(NLA)
18	19M7331	CAP SCREW	1				M12 X 65
19	CH13991	ADAPTER FITTING	1				
20	CH10614	STUD	2				M8 X 22
21	CH14189	GASKET	1				(SUB FOR CH12816)
22	12M7065	LOCK WASHER	2				8 mm
23	14M7298	FLANGE NUT	2				M8
24	CH19093	BOLT	2				M8 X 100
25	CH19093	BOLT	5				M8 X 100
26	19M7800	SCREW	2				M8 X 50
27	R180202	GASKET	1				(SUB FOR CH12822)
28	CH10381	HOUSING	1				(NLA)
29	19M7560	CAP SCREW	2				M6 X 16
30	CH10553	WASHER	3				M6
31	CH19141	BOLT	1				M6 X 30
32	CH10614	STUD	2		X		
33	19M7298	CAP SCREW	1		X		M8 X 35
34	M87826	BOLT	1		X		

KEY	PART NO.	PART NAME	QTY	850	950	1050	REMARKS
35	CH12837	ELECTRICAL CONNECTOR ASSY	1			X	
36	CH12842	COVER	1			X	



MP37805

Please write to us.

Our email:

aservicemanualpdf@yahoo.com

**Please go to the homepage
to get the full manual, or
other brand PDF manuals.**

Home Site:

aservicemanualpdf.com

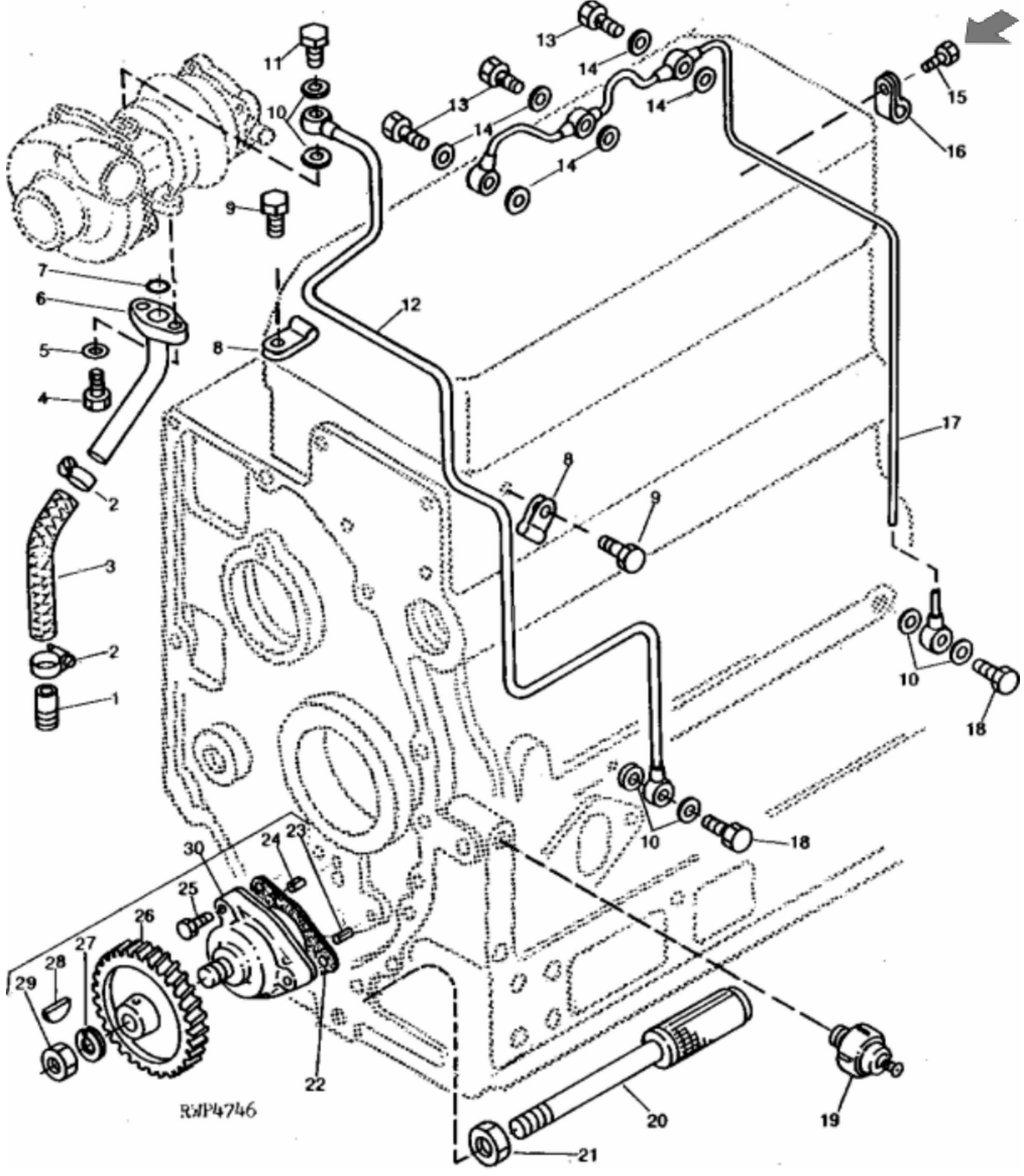
Thank you very much for your reading. Please Click Here. Then Get COMPLETE MANUAL. NO WAITING



NOTE:

If there is no response to click on the link above, please download the PDF document first and then click on it.

KEY	PART NO.	PART NAME	QTY	Engine Serial No.	850	950	REMARKS
1	M802692	FITTING	3				M8, (SUB FOR CH10053)
2	CH10554	PACKING	6				
3	CH10419	CLAMP	1				
4	CH10624	SCREW	1				M8 X 10, (NLA)
5	CH10150	OIL LINE	1		X		
5	CH12858	OIL LINE	1			X	
6	CH10555	WASHER	2				
7	CH10361	BOLT	1				M10
8	M810001	PRESSURE SWITCH	1				
9	CH10148	PIPE	1		X		
10	CH10416	NUT	1				(NLA)
11	CH10149	FITTING	1		X		(NLA)
12	CH10414	GASKET	1				
13	CH10539	SPRING PIN	1				4AW X 8
14	CH12294	PIN	1				4AW X 12
15	CH10579	BOLT	3	____-17644	X		M6 X 22
15	M87826	BOLT	3	17645-____	X		M6 X 22
15	CH10579	BOLT	3	____-21840		X	
15	M87826	BOLT	3	21841-____		X	
16	CH12855	STEERING GEAR	1				(NLA)
17	12M7065	LOCK WASHER	1				8 mm
18	CH12581	SHAFT KEY	1				(NLA)
19	14M7273	NUT	1				M8
20	CH20064	OIL PUMP	1				KIT, (SUB FOR CH12921)
21	CH10248	PIPE	1			X	NLA



KEY	PART NO.	PART NAME	QTY	Engine Serial No.	REMARKS
1	CH12837	ELECTRICAL CONNECTOR ASSY	1		
2	TY22464	CLAMP	2		(SUB FOR CH12905, DE13238 OR AL25950)
3	CH12884	LINE	1		
4	19M7077	CAP SCREW	2		M6 X 20
5	12M7006	LOCK WASHER	2		6 mm
6	CH12883	LINE	1		
7	CH13625	PACKING	1		
8	CH12900	CLAMP	2		
9	19M7864	SCREW	2		M8 X 12
10	CH10555	WASHER	6		M10
11	CH12857	BOLT	1		
12	CH12856	OIL LINE	1		(NLA)
13	M802692	FITTING	3		M8, (SUB FOR CH10053)
14	CH10554	PACKING	6		M8
15	CH10624	SCREW	1		M8 X 10, (NLA)
16	CH10419	CLAMP	1		
17	CH12858	OIL LINE	1		
18	CH10361	BOLT	2		
19	M810001	PRESSURE SWITCH	1		(SUB FOR CH10258)
20	CH10248	PIPE	1		NLA
21	CH10416	NUT	1		(NLA)
22	CH10414	GASKET	1		
23	CH10539	SPRING PIN	1		4AW X 8
24	CH12294	PIN	1		4AW X 12
25	CH10579	BOLT	3	_____13252	M6 X 22
25	M87826	BOLT	3	13253-_____	M6 X 22
26	CH12855	STEERING GEAR	1		(NLA)
27	12M7065	LOCK WASHER	1		8 mm
28	CH12581	SHAFT KEY	1		(NLA)
29	14M7273	NUT	1		M8
30	CH20064	KIT	1		OIL PUMP, (SUB FOR CH12921)