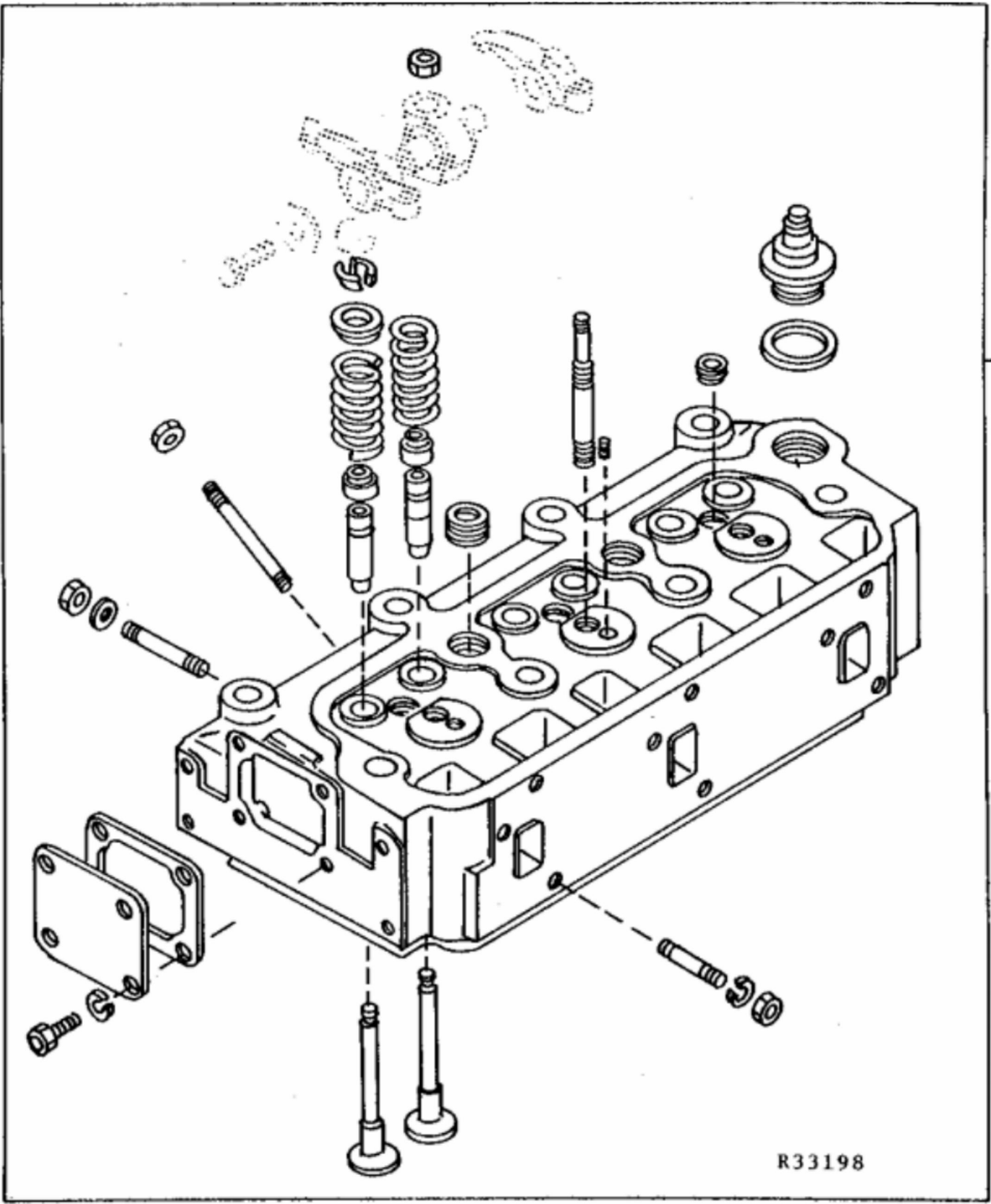


RWP3583

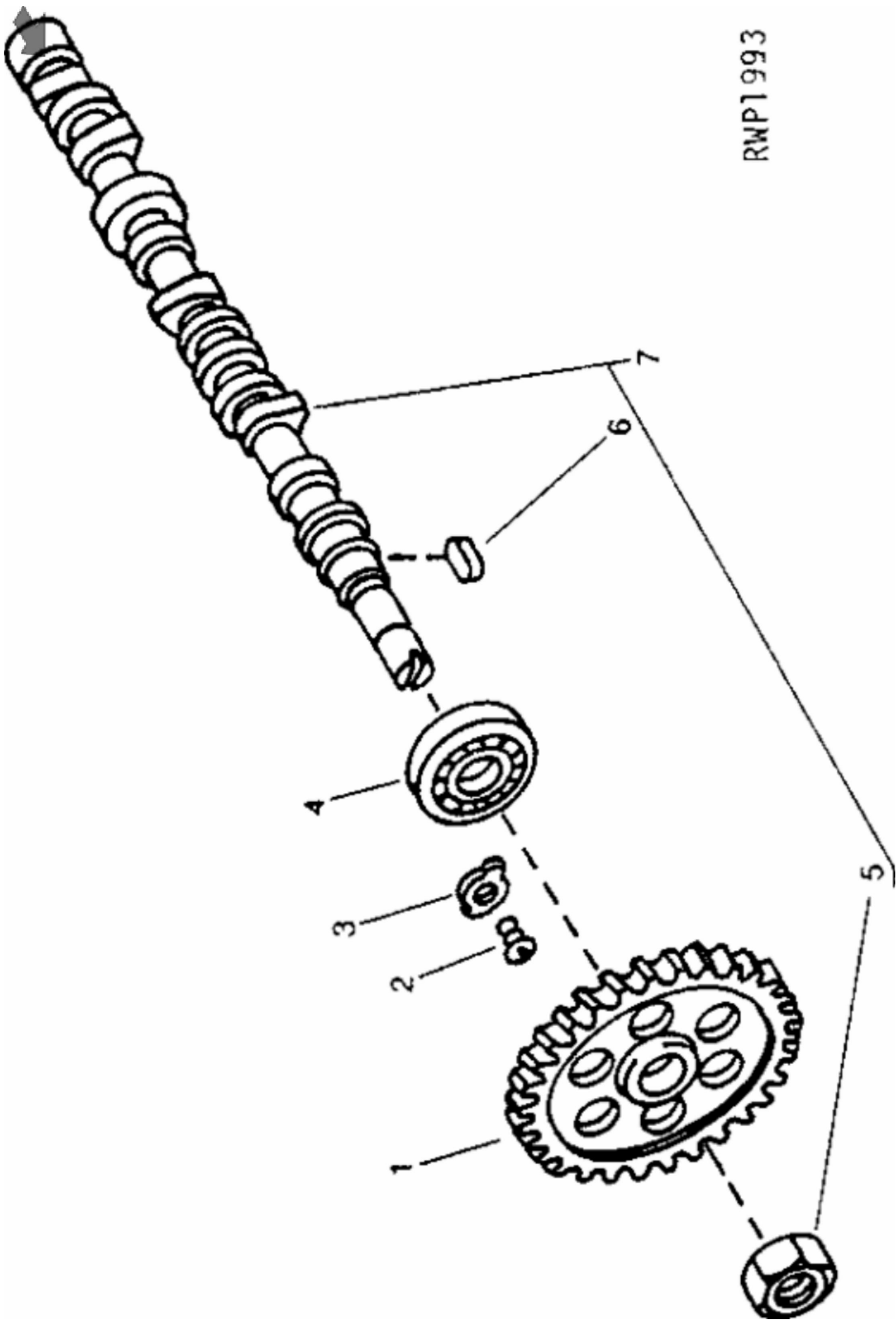
KEY	PART NO.	PART NAME	QTY	REMARKS
1	19M7302	CAP SCREW	6	M6 X 8
2	24M7100	WASHER	6	6.600 X 22 X 2 mm, (SUB FOR CH10345)
3	CH10107	SCREW	6	
4	14M7273	NUT	6	M8
5	CH14197	ROCKER ARM	2	EXHAUST, NO. 1 AND NO. 2, (SUB FOR CH10653 (NLA))
6	14M7274	NUT	3	M10
7	CH14191	SUPPORT	3	(SUB FOR CH10344)
8	CH14196	ROCKER ARM	2	INTAKE, NO.1 AND NO. 2, (SUB FOR CH10652 (NLA))
9	CH14198	ROCKER ARM	1	EXHAUST, NO. 3, (SUB FOR CH10654 (NLA))
10	CH14199	ROCKER ARM	1	INTAKE, NO. 3, (SUB FOR CH10655 (NLA))
11	CH10351	PUSH ROD	6	
12	CH10069	FOLLOWER	6	
13	MIU800109	GASKET	1	(SUB FOR CH10115)
14	CH10225	STUD	6	
15	12M7065	LOCK WASHER	6	8 mm
16	14M7273	NUT	6	M8
17	CH10055	VALVE	3	INTAKE
18	CH10056	VALVE	3	EXHAUST
19	19M7964	BOLT	3	(HS=10.9)
19	CH11601	BOLT	1	M8 X 14
20	24M7055	WASHER	2	8.400 X 16 X 1.600 mm, (SUB FOR CH10526)
21	CH10401	COVER	1	
22	CH10402	GASKET	1	
23	CH10206	STUD	2	
24	24M7055	WASHER	2	8.400 X 16 X 1.600 mm, (SUB FOR CH10526)
25	14M7273	NUT	8	M8
26	CH12381	STUD	6	M8 X 50
27	CH16044	GUIDE	3	EXHAUST, (SUB FOR CH14082 OR CH10342)
28	CH10346	SEAL	6	
29	CH10086	SPRING	6	
30	CH10343	HOLDER	6	
31	CH12585	CAP	6	
32	AM100828	RETAINER KIT	3	(PKG OF 2), (SUB FOR CH10054)
33	CH16043	GUIDE	3	INTAKE, (SUB FOR CH14081 OR CH10341)

KEY	PART NO.	PART NAME	QTY	REMARKS
34	CH18079	SPRING PIN	3	6AW X 12
35	CH10347	STUD	3	
36	15H559	PIPE PLUG	3	1/4", (SUB FOR CH10559)
37	CH11811	O-RING	1	
38	CH19841	ORIFICE	1	(SUB FOR CH11776)



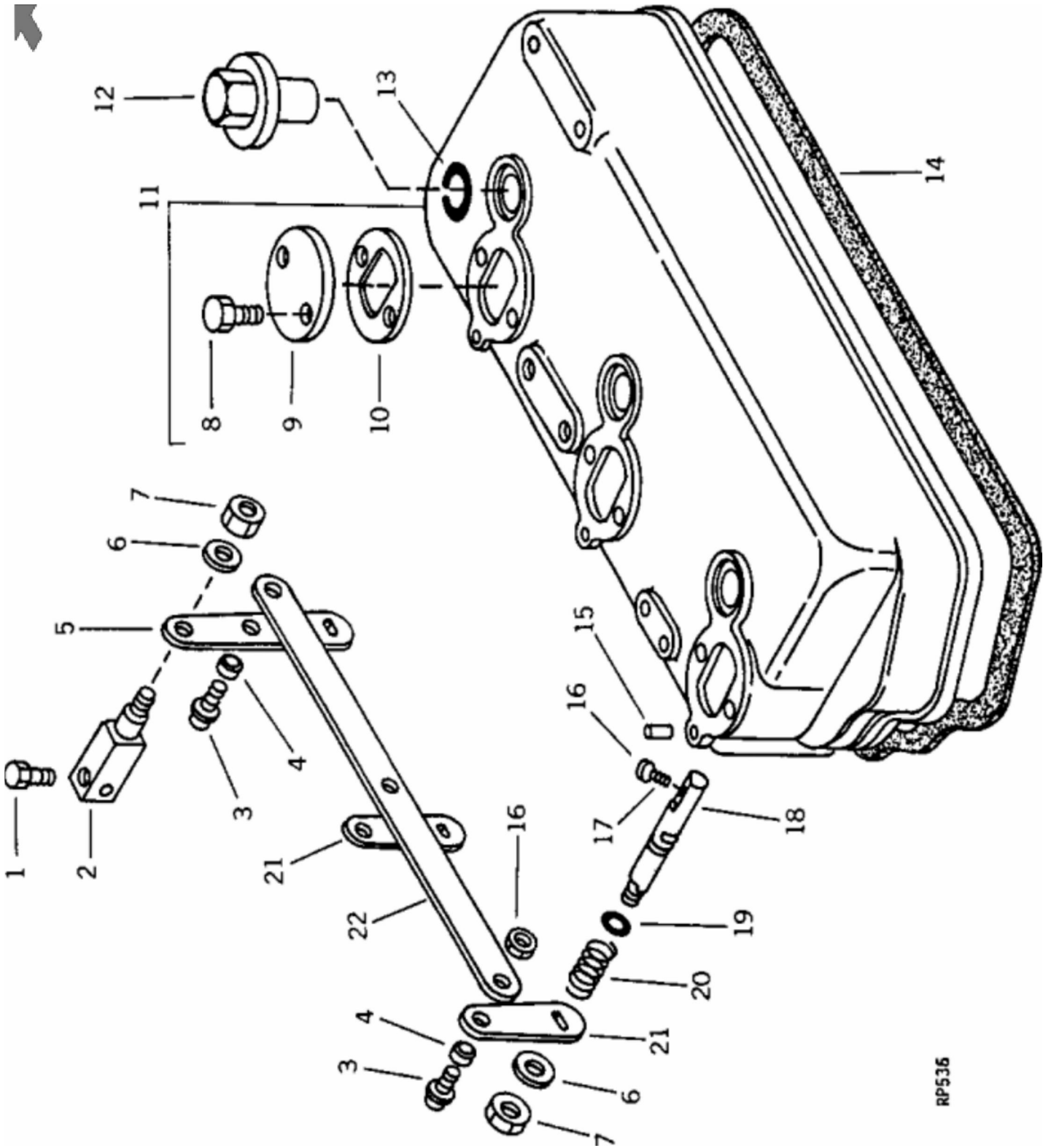
John Deere > Turf And Utility > TRACTOR, COMPACT UTILITY > 950 - TRACTOR, COMPACT UTILITY > 850 (-16000) & 950 (-20000) Compact Utility Tractors > 20 ENGINE > ST631030 - CYLINDER HEAD
(3T80j) (850)

KEY	PART NO.	PART NAME	QTY	REMARKS
1	AM877960	CYLINDER HEAD	1	(SUB FOR CH10656 OR CH13639)



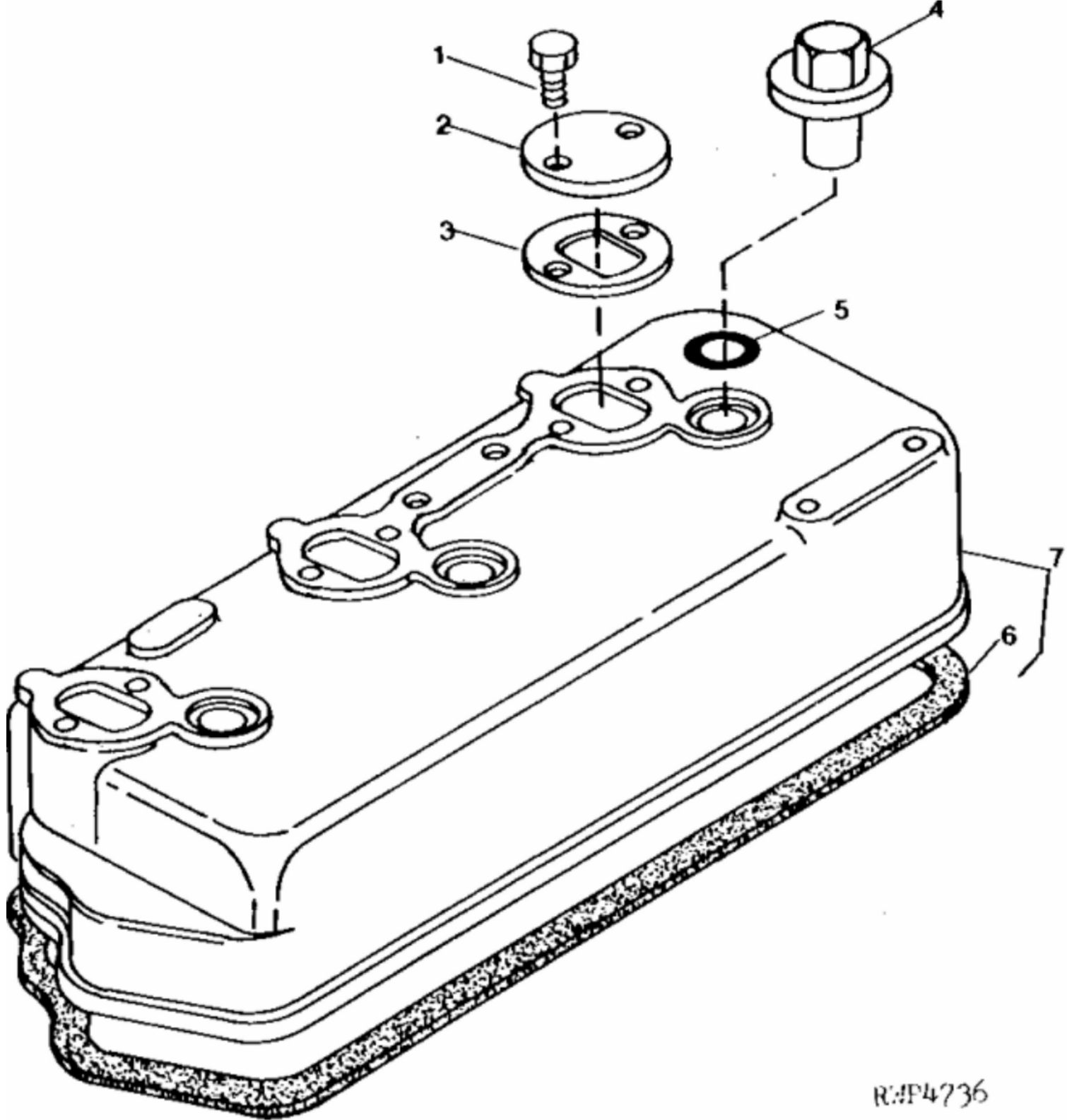
RWP1993

KEY	PART NO.	PART NAME	QTY	REMARKS
1	CH10229	GEAR	1	
2	21M7361	SCREW	1	M8 X 12, (SUB FOR CH11627)
3	CH10193	RETAINER	1	(NLA)
4	CH14887	BALL BEARING	1	(SUB FOR CH10505)
5	CH10406	NUT	1	(NLA)
6	CH10545	KEY	1	M7 X 18, NLA
7	CH10658	CAMSHAFT	1	(NLA)



RP536

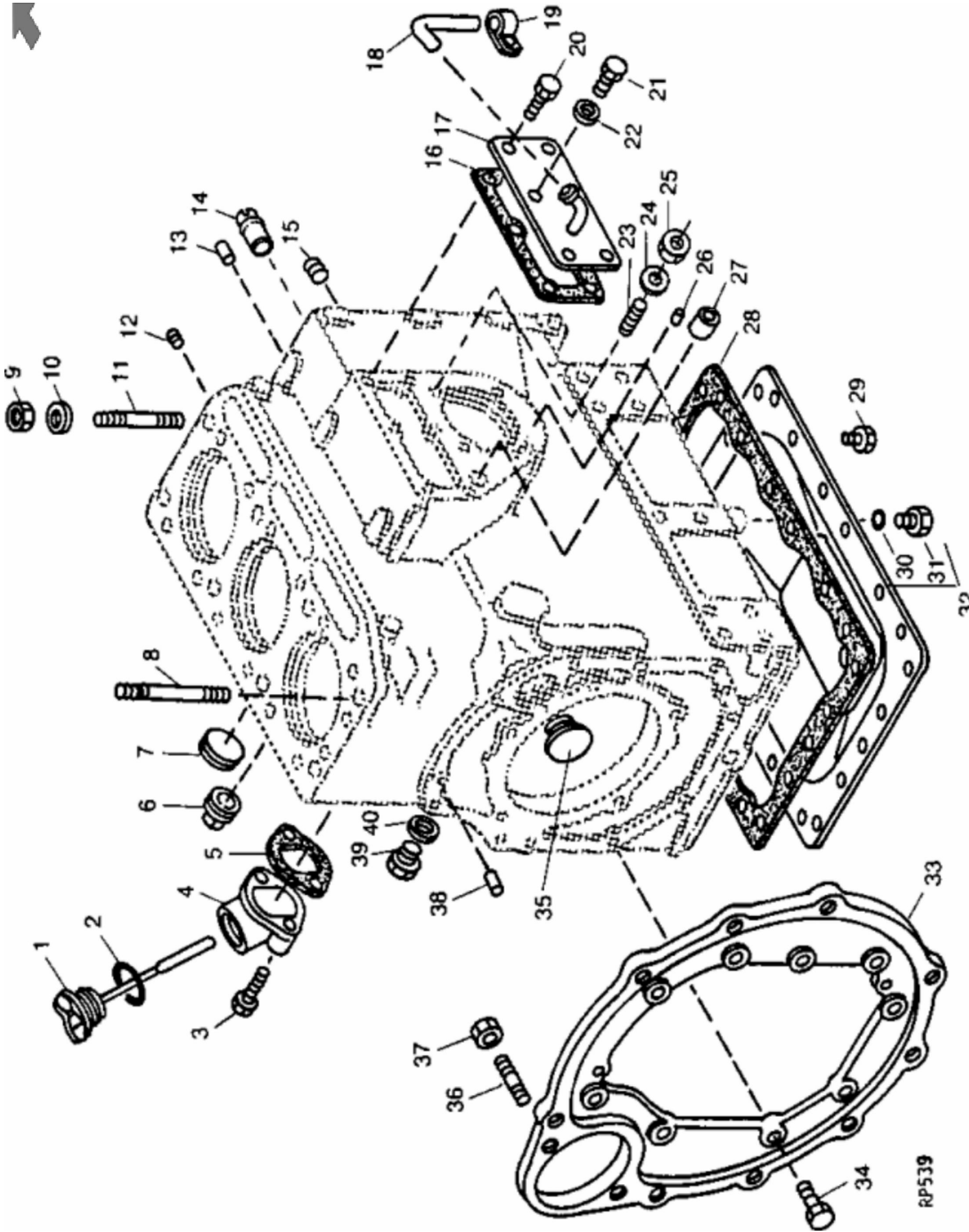
KEY	PART NO.	PART NAME	QTY	Engine Serial No.	REMARKS
1	CH11596	BOLT	1		(NILA)
2	CH10201	NUT	1		(NILA)
3	CH10620	SCREW	3		M5 X 12
4	CH10199	SPACER	3		(NILA)
5	CH10195	LEVER	1		(NILA)
6	24M7088	WASHER	4		6.600 X 12 X 1.600 mm, (SUB FOR CH10522)
7	14M7272	NUT	4		M6
8	19M7300	CAP SCREW	6		M6 X 10
9	CH10446	COVER	3		
10	M811640	GASKET	3		(SUB FOR CH10448 OR CH12817)
11	CH14073	COVER	1	____-XXXXXX	(WHEN REPLACING VALVE COVER REMOVE AND DISCARD COMPRESSION RELEASE LINKAGE.) (NLA) (ALSO INCLUDES CH10129) (ALSO ORDER (3) CH10446, (3) CH12817 AND (6) 19M7300) (SUB FOR CH10651)
12	CH10348	NUT	3		
13	CH10568	PACKING	3		
14	CH10129	GASKET	1		
15	CH10531	PIN	3		M3 X 25
16	14M7229	NUT	3		M5
17	CH12587	SCREW	3		(NILA)
18	CH10194	SHAFT	3		
19	CH10567	O-RING	3		
20	CH10080	SPRING	3		
21	CH10196	LEVER	2		
22	CH10126	LINK	1		(NILA)



R:P4736

John Deere > Turf And Utility > TRACTOR, COMPACT UTILITY > 950 - TRACTOR, COMPACT UTILITY > 850 (-16000) & 950 (-20000) Compact Utility Tractors > 20 ENGINE > ST631034 - ROCKER ARM COVER (3T80J) (850) (20001 -)

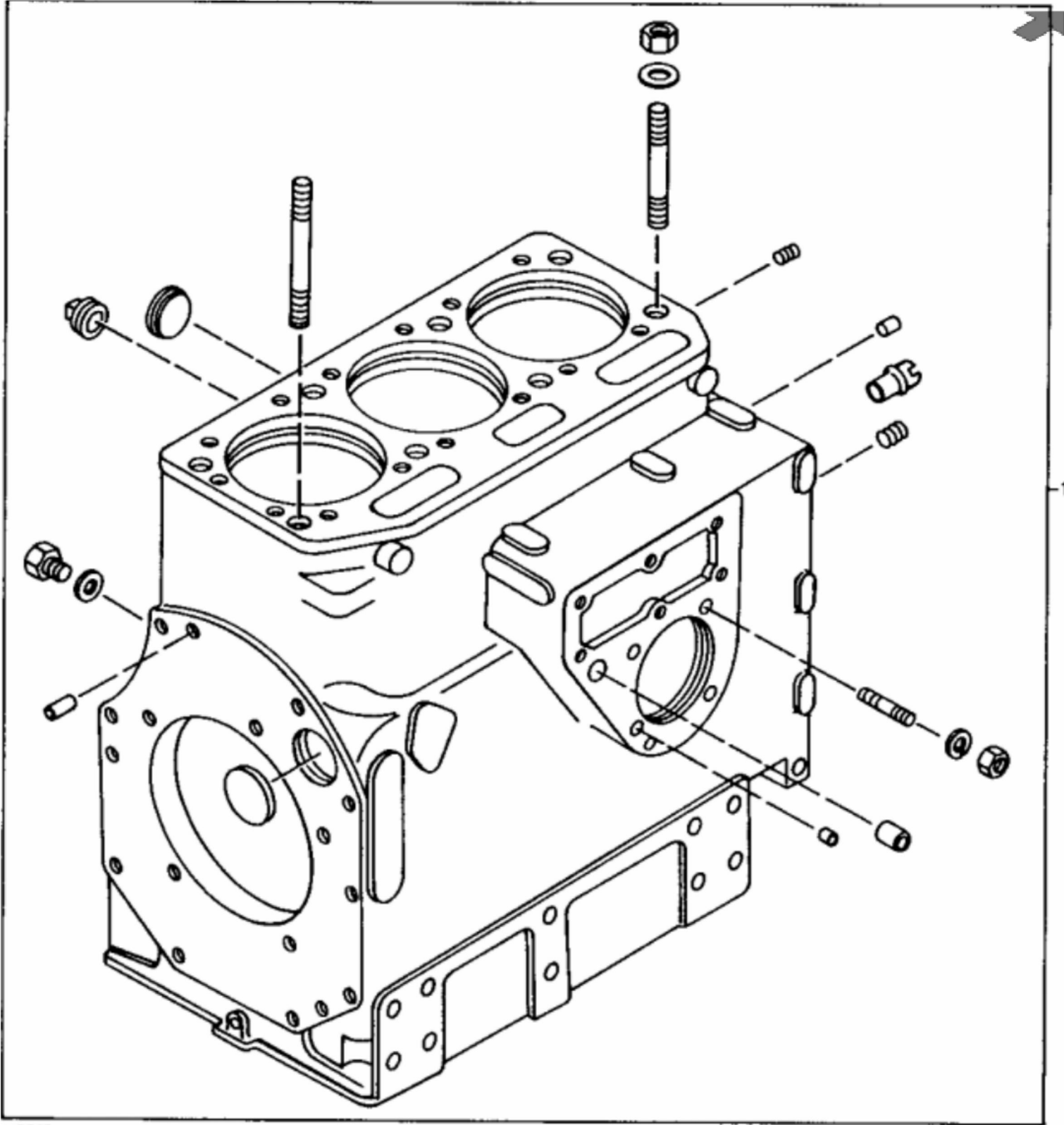
KEY	PART NO.	PART NAME	QTY	REMARKS
1	19M7300	CAP SCREW	6	M6 X 10
2	CH10446	COVER	3	
3	M811640	GASKET	3	(SUB FOR CH10448 OR CH10446)
4	CH10348	NUT	3	
5	CH10568	PACKING	3	
6	CH10129	GASKET	1	
7	CH14073	COVER	1	(NLA)



RP539

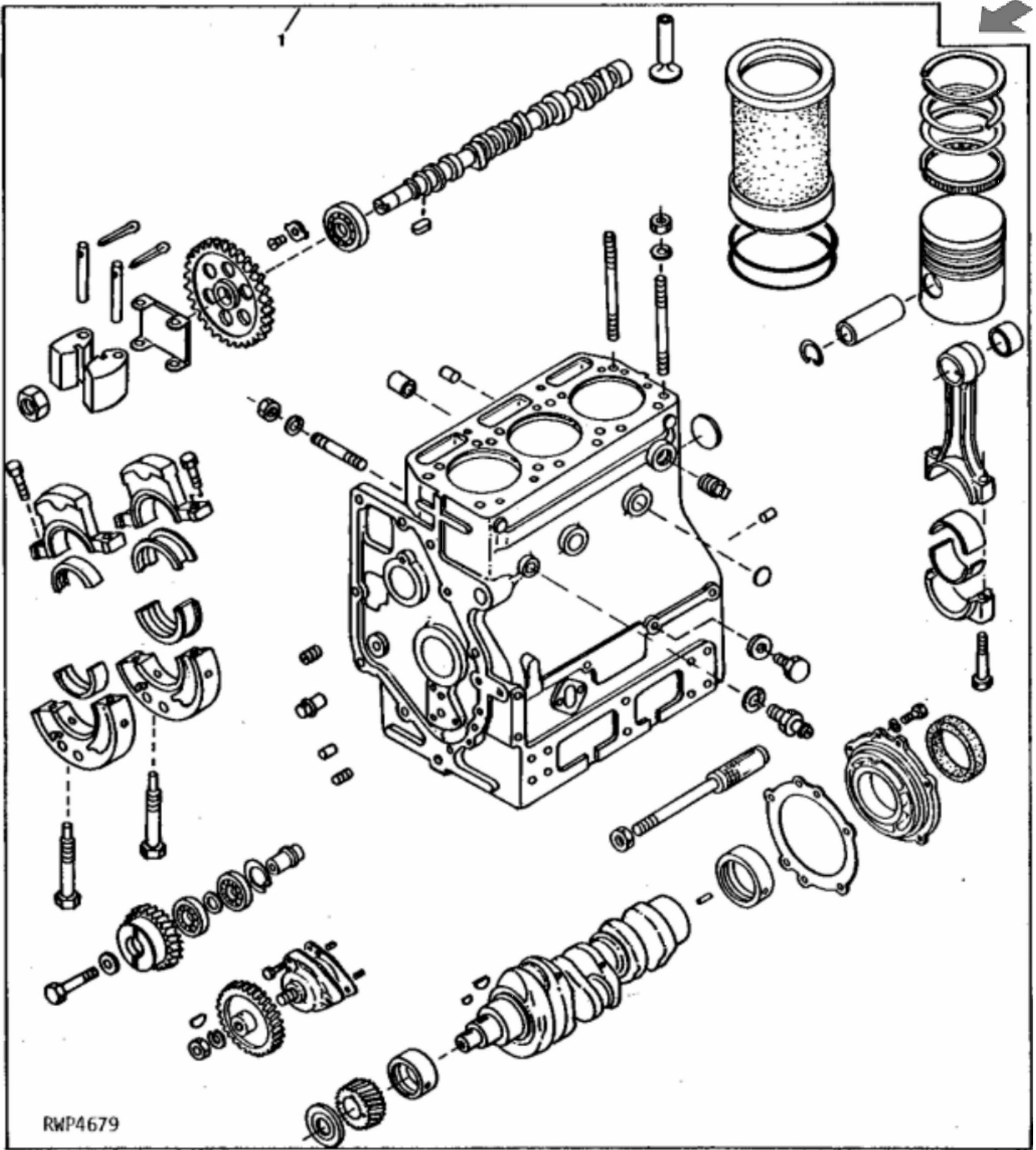
KEY	PART NO.	PART NAME	QTY	Tractor Serial No.	REMARKS
1	CH10119	DIPSTICK	1		(NILA)
2	CH15414	O-RING	1		
3	19M7298	CAP SCREW	2		M8 X 35
4	CH10173	FLANGE	1		(NILA)
5	M810521	GASKET	1		(SUB FOR CH10360 OR CH12818)
6	15H562	PIPE PLUG	1		1"
7	37M7023	SCREW	2		
8	CH10326	BOLT	1		
9	CH10087	NUT	8		
10	CH10065	WASHER	8		
11	CH10325	BOLT	7		
12	CH10314	PLUG	2		
13	M802255	PIN	2		(SUB FOR CH10534)
14	CH10363	PIPE	1		
15	CH10335	PLUG	1		PT 1/4"
16	M811636	GASKET	1		(SUB FOR CH10334 OR CH12815)
17	CH10179	COVER	1		
18	CH10552	PIPE	1		M9 X 500
19	CH10331	CLAMP	1		
20	19M7560	CAP SCREW	2		M6 X 16
21	CH10577	BOLT	4		M6 X 14
22	24M7054	WASHER	4		6.400 X 12 X 1.600 mm
23	CH15722	STUD	2		M8 X 22
24	M803523	WASHER	2	____-XXXXXX	M8, (SUB FOR CH10645 OR M806424)
24	12M7065	LOCK WASHER	2	XXXXXX-____	8 mm
25	14M7273	NUT	2	____-016000	M8
25	14M7298	FLANGE NUT	2	016001-____	M8
26	CH10532	PIN	1		4AW X 10
27	CH10465	BUSHING	1		
28	M811637	GASKET	1		(SUB FOR CH10118 OR CH12820)
29	CH19780	BOLT	20		(SUB FOR CH10581 OR CH12839)
30	CH10569	O-RING	1		
31	CH10315	PLUG	1		

KEY	PART NO.	PART NAME	QTY	Tractor Serial No.	REMARKS
32	CH15733	OIL PAN	1		(SUB FOR CH10647)
33	CH10116	FLANGE	1		
34	CH13938	BOLT	8		(SUB FOR CH10593)
35	M804593	PLUG	1		(SUB FOR CH10641)
36	CH10389	STUD	2		(NLA)
37	14M7275	NUT	2		M12
38	CH10535	PIN	2		M8 X 20
39	CH10561	PLUG	3		M10
40	CH10183	O-RING	3		M10

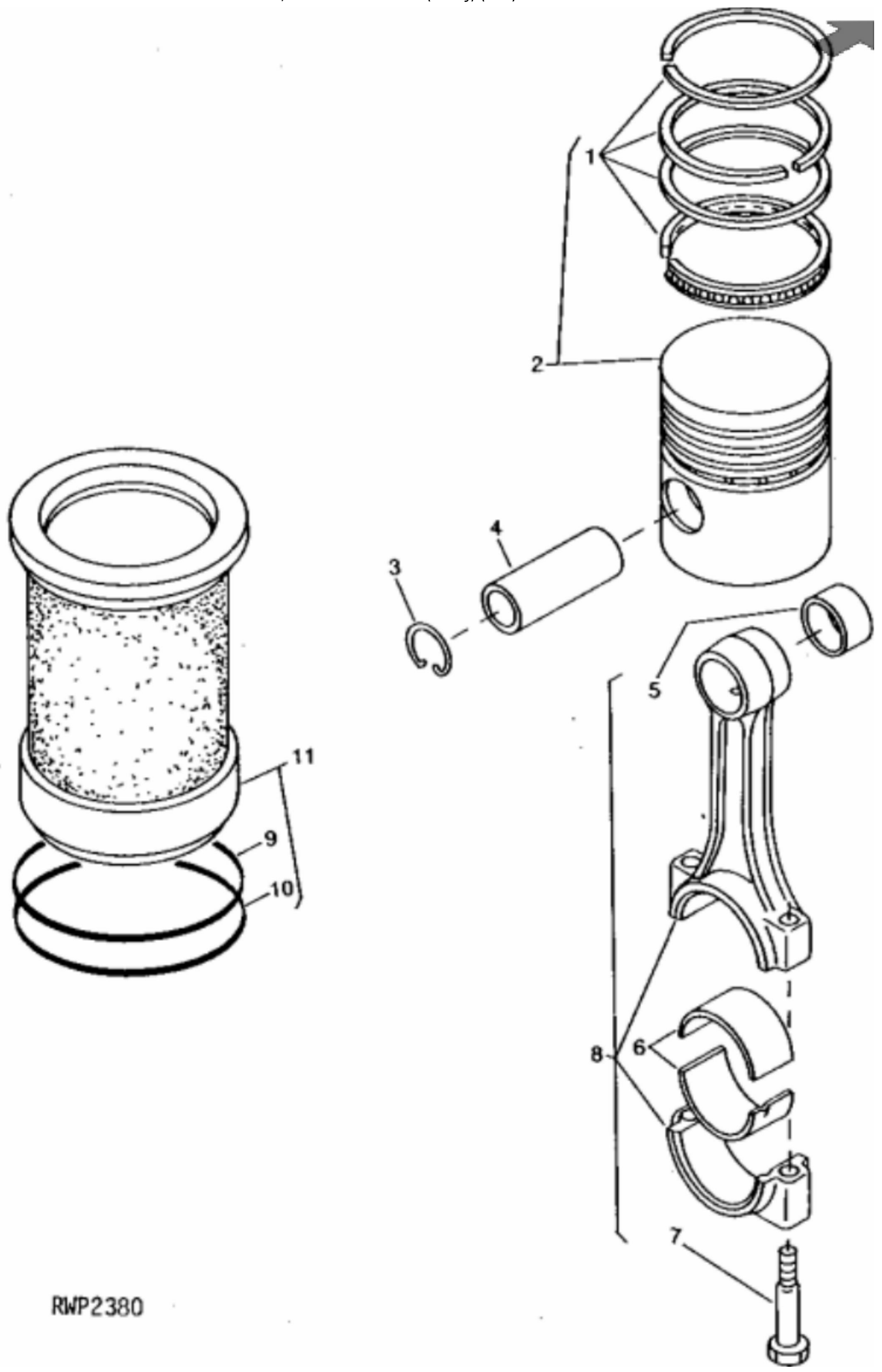


RP541

KEY	PART NO.	PART NAME	QTY	REMARKS
1	CH12048	CYLINDER BLOCK	1	

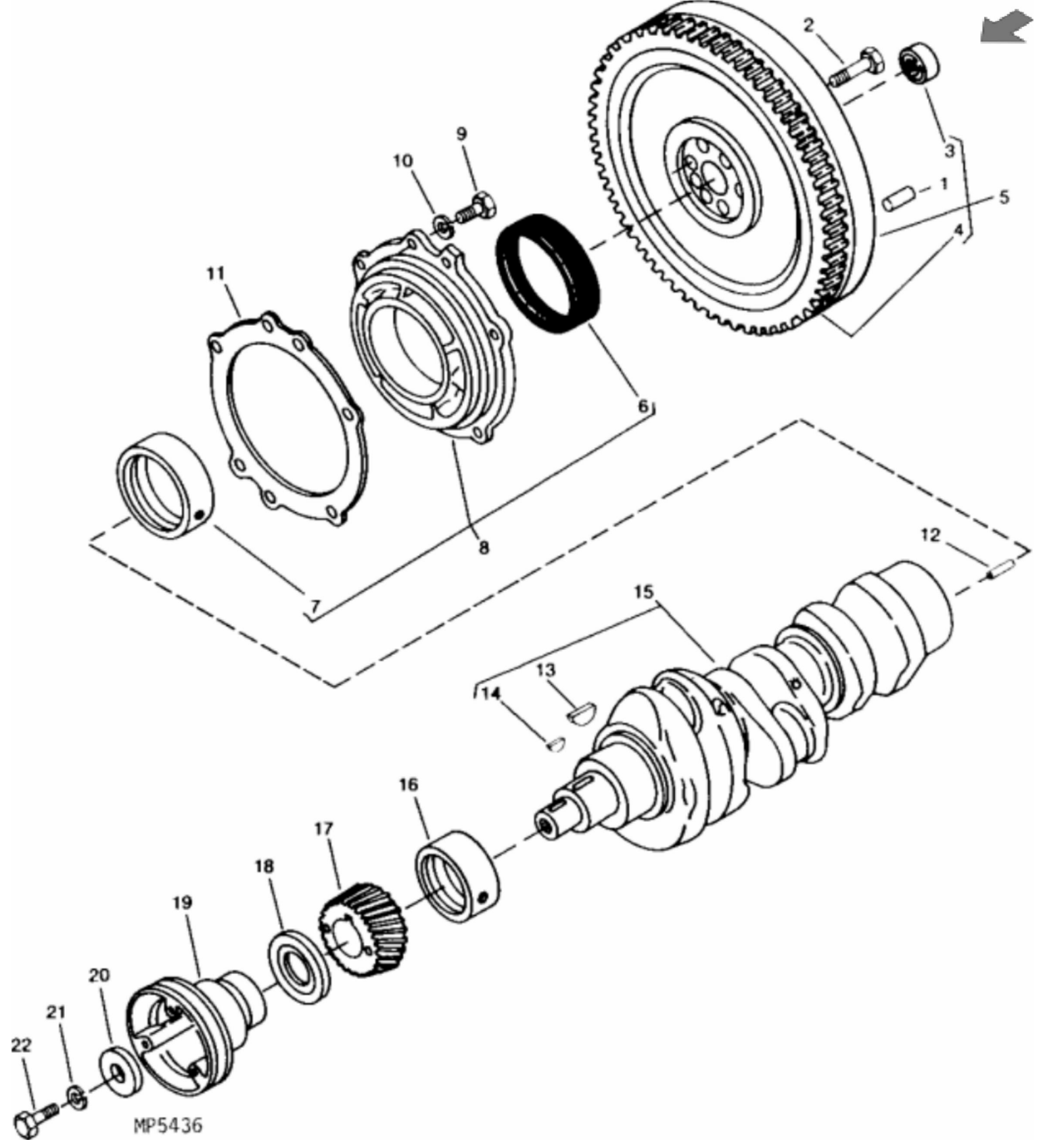


KEY	PART NO.	PART NAME	QTY	Engine Serial No.	850	950	REMARKS
1	CH14166	SHORT BLOCK ASSEMBLY	1		X		
1	CH14167	SHORT BLOCK ASSEMBLY	1	____-206361		X	(SUB CH18171)
1	CH18171	SHORT BLOCK ASSEMBLY	1	206362-_____		X	

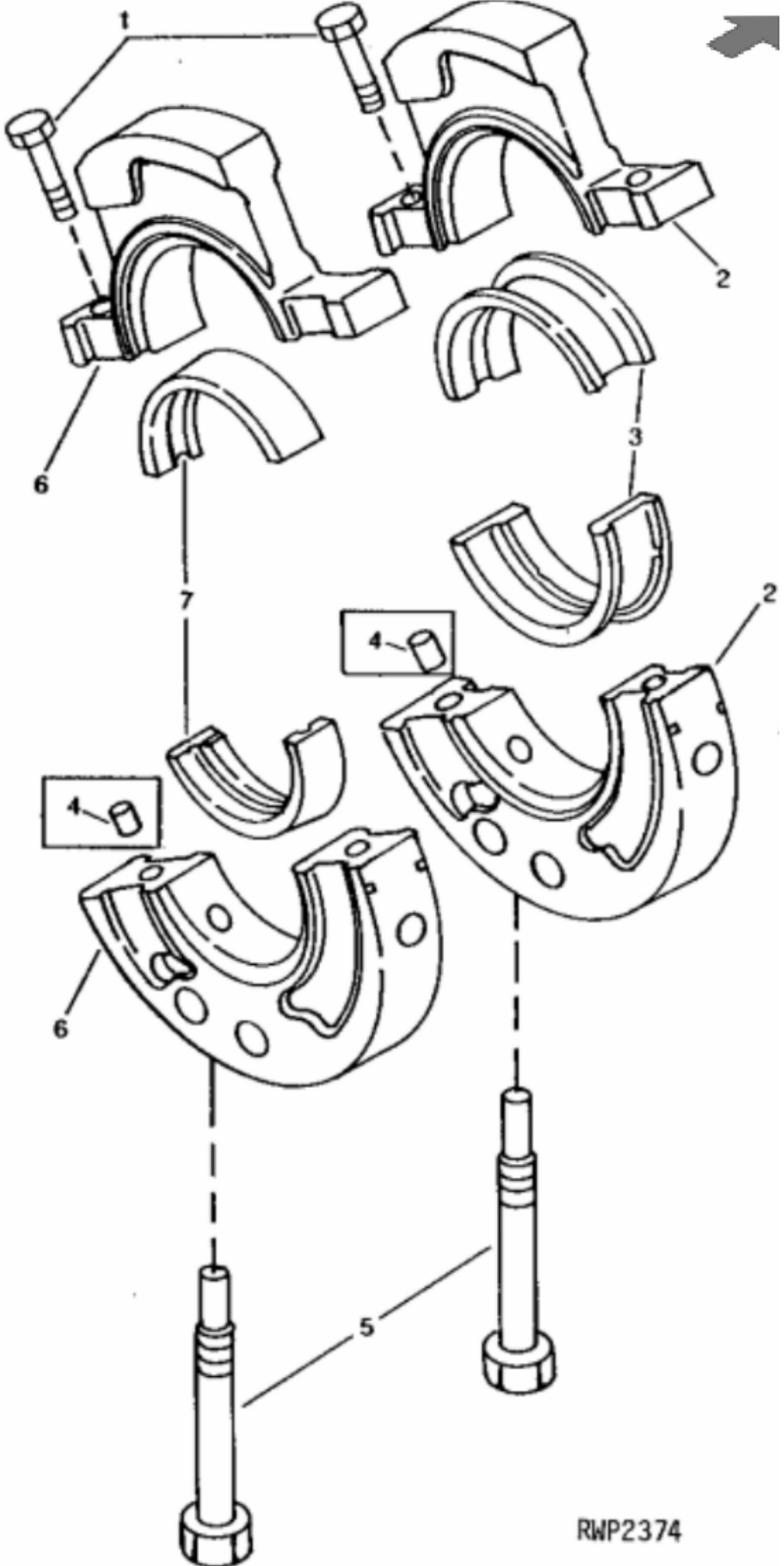


RWP2380

KEY	PART NO.	PART NAME	QTY	REMARKS
1	CH12046	PISTON RING KIT	3	
2	CH10355	PISTON	3	
3	CH10071	RING	6	
4	CH10070	PIN	3	
5	MIU801273	BUSHING	3	(SUB FOR CH10357)
6	AM875927	BEARING	3	(SUB FOR CH10358)
6	AM875933	BEARING	3	0.25MM (0.010") (US), (SUB FOR CH17671)
6	AM875934	BEARING	3	0.50 mm, NLA; SUB FOR CH17672
7	CH10092	BOLT	6	
8	CH10682	ROD	3	
9	CH10327	O-RING	3	
10	CH13580	O-RING	3	
11	CH13597	CYLINDER LINER	3	WITH RINGS, (SUB FOR CH12050)

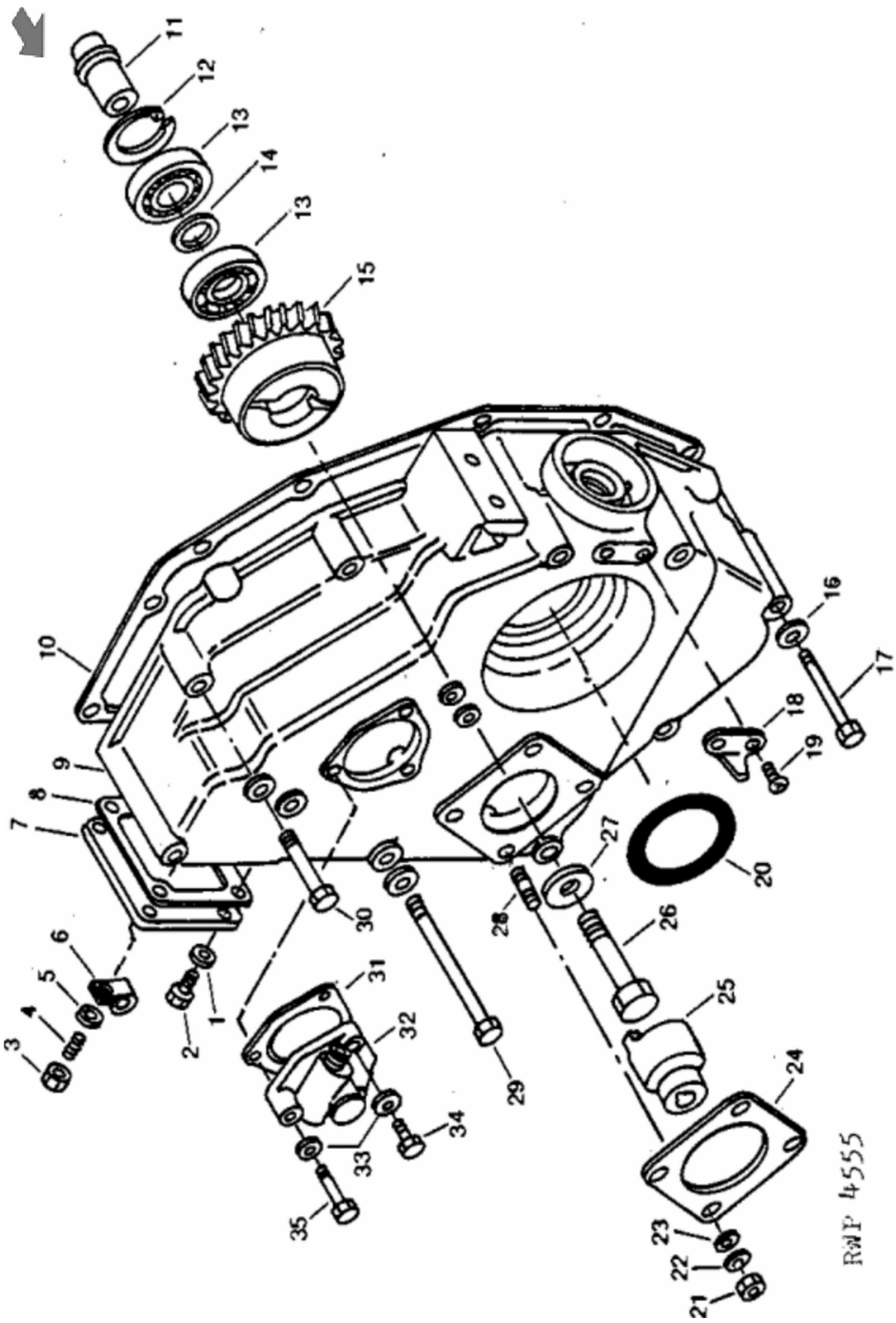


KEY	PART NO.	PART NAME	QTY	Tractor Serial No.	REMARKS
1	CH15134	PIN	2		M6 X 18, (SUB FOR CH10849)
2	M802667	BOLT	5	____-016000	(SUB FOR CH10352)
2	CH19291	BOLT	5	016001-____	
3	CH10408	BUSHING	1	____-016000	
3	CH19289	BUSHING	1	016001-____	
4	CH10466	GEAR	1		
5	AM875430	FLYWHEEL	1		(NLA)
6	CH10340	SEAL	1		
7	CH10338	THRUST BEARING	1		
7	CH17665	THRUST BEARING	1		0.25MM (0.0098") (US)
7	CH17667	THRUST BEARING	1		0.50MM (0.0197") (US), (NLA)
8	CH10681	HOUSING	1		NLA
9	19M7402	CAP SCREW	5		M10 X 25
10	12M7066	LOCK WASHER	5		10 mm
11	CH10339	GASKET	1		
12	M802255	PIN	1		M8 X 16, (SUB FOR CH10534)
13	CH15332	KEY	1		(NO TAPPED HOLE) (SUB FOR CH10547)
14	M802215	KEY	1		(NO TAPPED HOLE) (SUB FOR CH10546)
15	CH10659	CRANKSHAFT	1		
16	CH10338	THRUST BEARING	1		
16	CH17665	THRUST BEARING	1		0.25MM (0.0098") (US)
16	CH17667	BEARING	1		0.50MM (0.0197") (US), (NLA)
17	CH10231	SPUR GEAR	1		
18	CH10353	DISK	1		
19	CH10307	PULLEY	1	____-016000	(SUB CH19286)
19	CH19286	PULLEY	1	016001-____	NLA
20	CH10317	WASHER	1		(NLA)
21	12M7067	LOCK WASHER	1		12 mm
22	CH10612	BOLT	1		M12 X 30



RWP2374

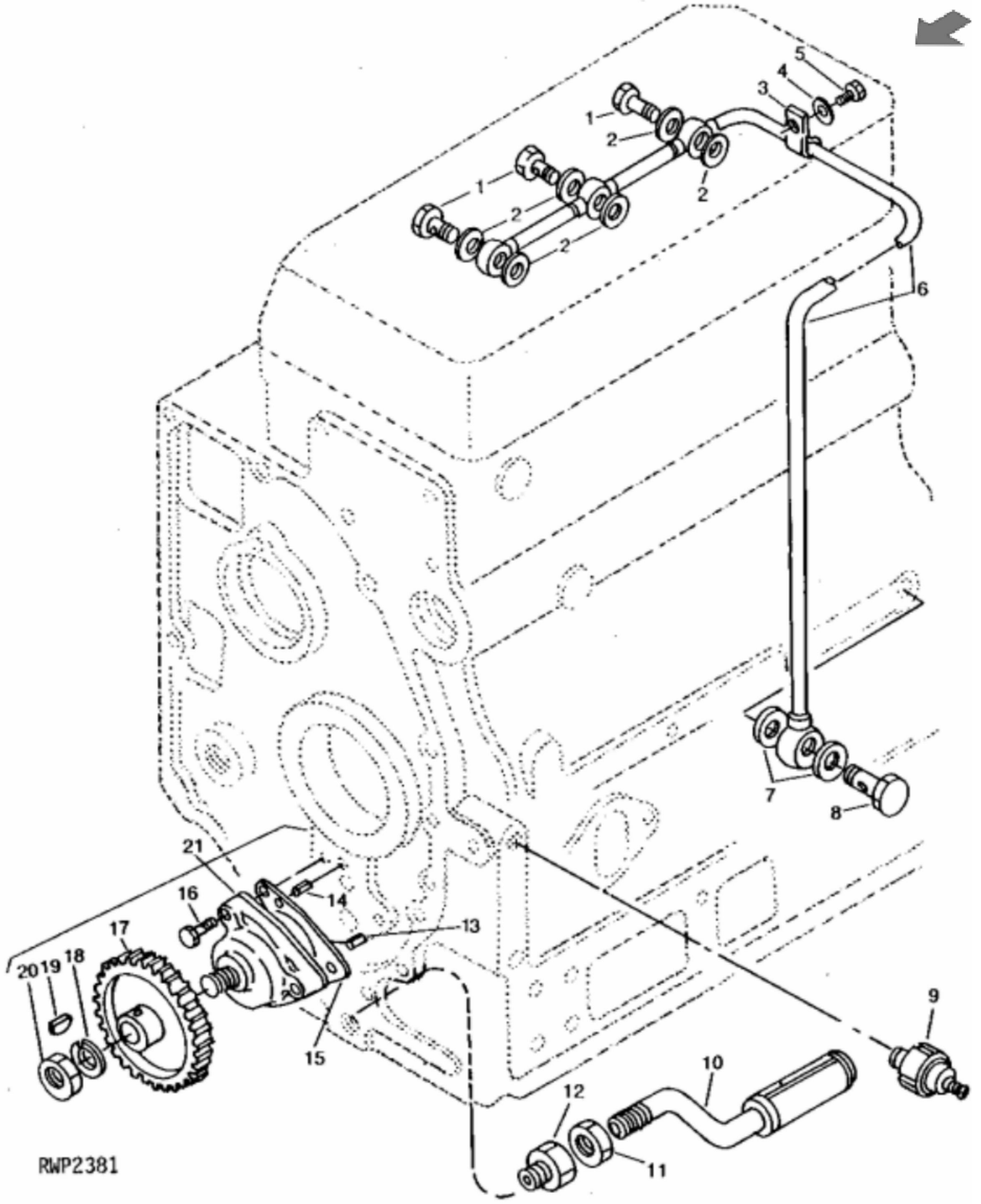
KEY	PART NO.	PART NAME	QTY	Engine Serial No.	REMARKS
1	CH10574	BOLT	4	____-200000	M10 X 45, (NLA)
1	CH12840	BOLT	4	200001-____	M10 X 45
2	CH14050	HOUSING	1		(INCLUDES BEARINGS AND BOLTS) (SUB FOR CH10649)
3	AM875925	BEARING	1		(SET OF 2) (SUB FOR CH10122)
3	AM875931	BEARING	1		0.25MM (.0098") (US), (SET OF 2) (SUB FOR CH17666)
3	CH17668	BEARING	1		0.50MM (.0197") (US), (NLA)
4	M808107	PIN FASTENER	4	____-200000	6AW X 14, (SUB FOR CH10533)
5	CH10124	BOLT	2		
6	CH14051	HOUSING	1		(INCLUDES BEARINGS AND BOLTS) (SUB FOR CH10650)
7	AM875926	BEARING	1		(SET OF 2) (SUB FOR CH10123)
7	AM875932	BEARING	1		0.25MM (.0098") (US), (SET OF 2) (SUB FOR CH17669)
7	CH17670	BEARING	1		0.50MM (.0197") (US), (NLA)



RWP 4555

KEY	PART NO.	PART NAME	QTY	Tractor Serial No.	850	950	REMARKS
1	24M7055	WASHER	3				8.400 X 16 X 1.600 mm, (SUB FOR CH10554, THIS APPLICATION)
2	19M7964	CAP SCREW	2				M8 X 12
3	14M7273	NUT	2				M8
4	CH12574	STUD	2				M8 X 14
5	24M7055	WASHER	1				8.400 X 16 X 1.600 mm, (SUB FOR CH10554, THIS APPLICATION)
6	CH10331	CLAMP	1				
7	CH10174	COVER	1				
8	M811636	GASKET	1				(SUB FOR CH10330 OR CH12814)
9	CH10328	GEAR CASE	1				(NLA)
10	M811635	GASKET	1				(SUB FOR CH10388 OR CH12819)
11	CH10239	SHAFT	1				
12	40M7225	SNAP RING	1				(SUB FOR CH10530)
13	CH10564	BEARING	2				
14	CH10238	SPACER	1				
15	CH10237	STEERING GEAR	1				(NLA)
16	24M7095	WASHER	9				8.400 X 15 X 1.600 mm
17	19M7185	CAP SCREW	2				M8 X 60
18	CH10393	POINTER	1				
19	21M7279	SCREW	2				M6 X 10, (SUB FOR CH10622)
20	CH10390	SEAL	1				
21	14M7273	NUT	4	____-016000	X		M8
21	14M7273	NUT	2	016001-____	X		M8
21	14M7273	NUT	4	____-020000		X	M8
21	14M7273	NUT	2	020001-____		X	M8
22	12M7065	LOCK WASHER	4	____-016000	X		8 mm
22	12M7065	LOCK WASHER	2	016001-____	X		8 mm
22	12M7065	LOCK WASHER	4	____-020000		X	8 mm
22	12M7065	LOCK WASHER	2	020001-____		X	8 mm
23	24M7055	WASHER	4	____-016000	X		8.400 X 16 X 1.600 mm
23	24M7055	WASHER	4	____-020000		X	8.400 X 16 X 1.600 mm
24	M811641	GASKET	1				(SUB FOR CH10366, CH12816 OR CH14189)

KEY	PART NO.	PART NAME	QTY	Tractor Serial No.	850	950	REMARKS
25	CH10236	COUPLING	1	____-016000	X		
25	CH13991	COUPLING	1	016001-____	X		
25	CH10236	COUPLING	1	____-020000		X	
25	CH13991	ADAPTER FITTING	1	020001-____		X	
26	19M7331	CAP SCREW	1				M12 X 65
27	CH10413	WASHER	1				(NLA)
28	CH10614	STUD	4	____-016000	X		M8 X 22
28	CH10614	STUD	2	016001-____	X		M8 X 22
28	CH10614	STUD	4	____-020000		X	M8 X 22
28	CH10614	STUD	2	020001-____		X	M8 X 22
29	19M8456	CAP SCREW	5				M8 X 100, (SUB FOR CH10592)
30	19M7164	CAP SCREW	2				M8 X 50, (SUB FOR CH10586)
31	R180202	GASKET	1				(SUB FOR CH10382, CH12822 OR M811642)
32	CH10381	HOUSING	1				(NLA)
33	CH10553	WASHER	3				M6
34	19M7560	CAP SCREW	2				M6 X 16
35	19M7796	SCREW	1				M6 X 30, (SUB FOR CH12356)



RWP2381

Please write to us.

Our email:

aservicemanualpdf@yahoo.com

**Please go to the homepage
to get the full manual, or
other brand PDF manuals.**

Home Site:

aservicemanualpdf.com

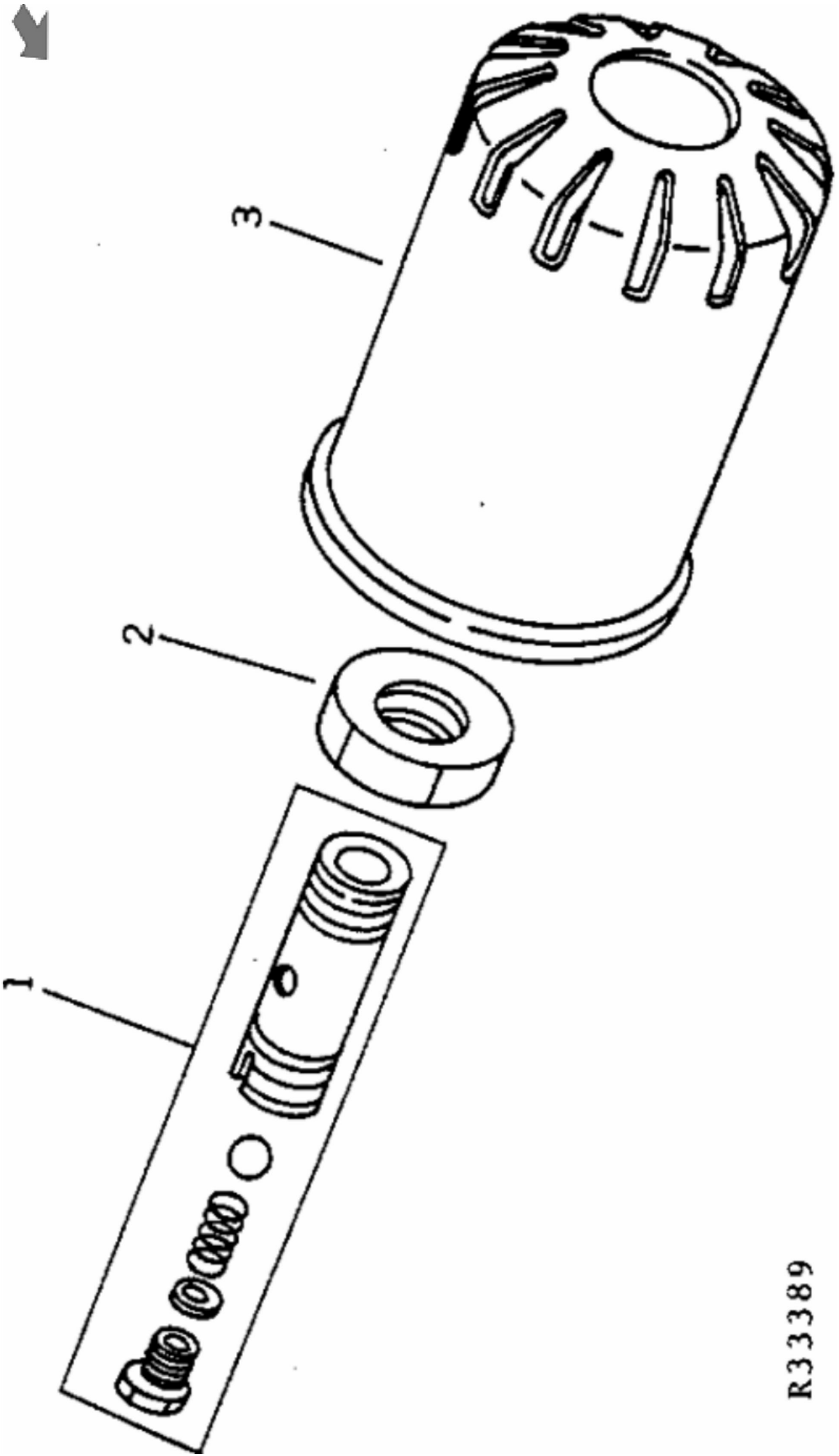
Thank you very much for your reading. Please Click Here. Then Get COMPLETE MANUAL. NO WAITING



NOTE:

If there is no response to click on the link above, please download the PDF document first and then click on it.

KEY	PART NO.	PART NAME	QTY	Engine Serial No.	REMARKS
1	M802692	FITTING	3		M8, (SUB FOR CH10053)
2	CH10554	GASKET	6		
3	CH10419	CLAMP	1		
4	24M7055	WASHER	1		8.400 X 16 X 1.600 mm, (SUB FOR CH10526)
5	CH10624	SCREW	1		M8 X 10, (NLA)
6	CH10150	PIPE	1		
7	CH10555	WASHER	2		
8	CH10361	BOLT	1		M10
9	M810001	PRESSURE SWITCH	1		(SUB FOR CH10258)
10	CH10148	PIPE	1		
11	CH10416	NUT	1		(NLA)
12	CH10149	FITTING	1		(NLA)
13	CH10539	SPRING PIN	1		4AW X 8
14	CH12294	PIN	1		4AW X 12
15	CH10414	GASKET	1		
16	CH10579	BOLT	3		M6 X 22
17	CH12580	GEAR	1	_____200000	
17	CH12855	STEERING GEAR	1	200001-_____	(NLA)
18	12M7065	LOCK WASHER	1		8 mm
19	CH12581	SHAFT KEY	1		(NLA)
20	14M7273	NUT	1		M8, (SUB FOR CH12400)
21	CH20064	OIL PUMP	1		(SUB FOR CH12640 OR CH12921)



R33389

KEY	PART NO.	PART NAME	QTY	REMARKS
1	CH15497	VALVE	1	SHIMS NOT AVAILABLE SEPARATELY, (SUB FOR CH10249)
2	CH18175	NUT	1	(NLA) (SUB FOR CH10417)
3	M801002	OIL FILTER	1	(SUB FOR CH10467)