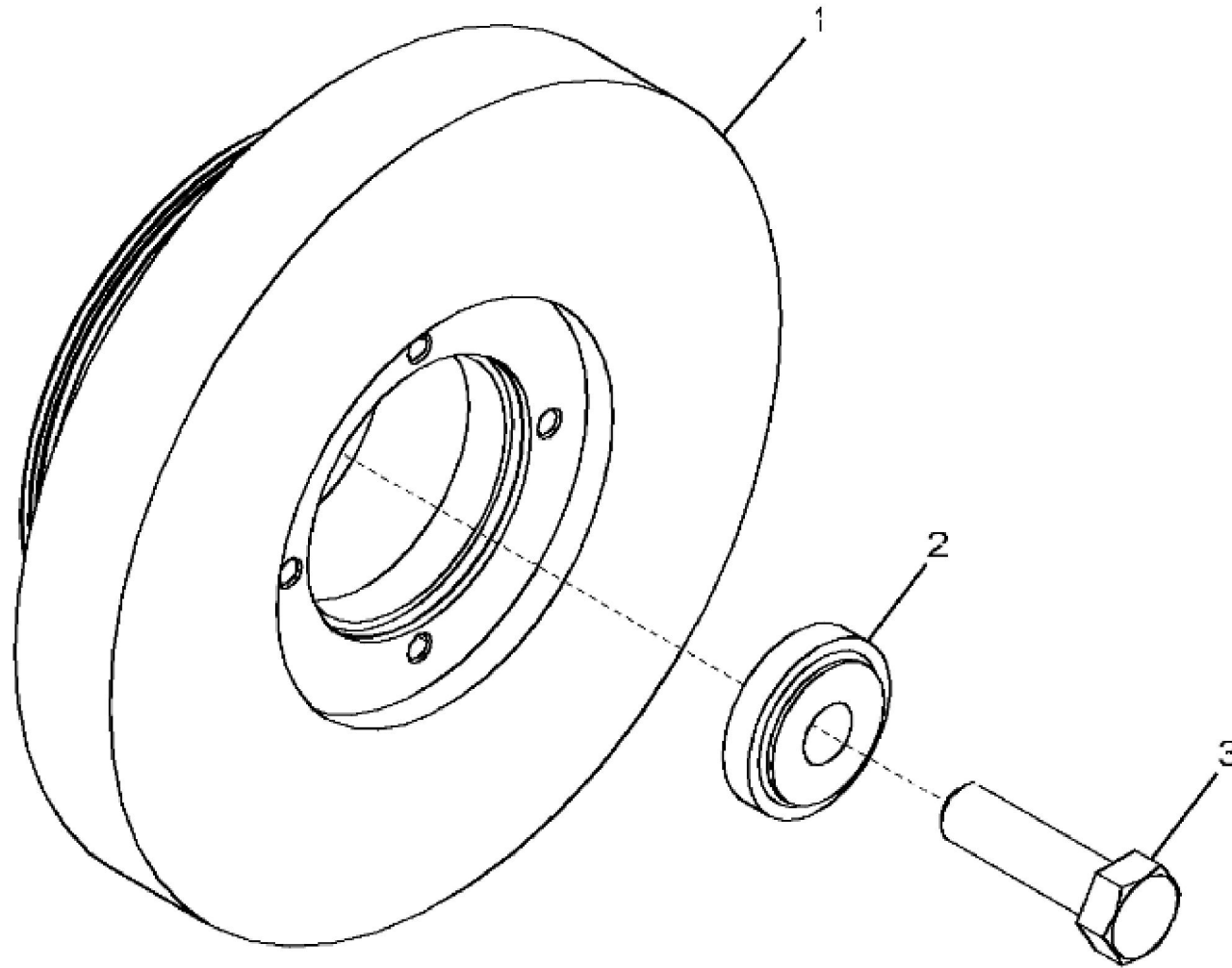


1174\_RES39965\_PCD

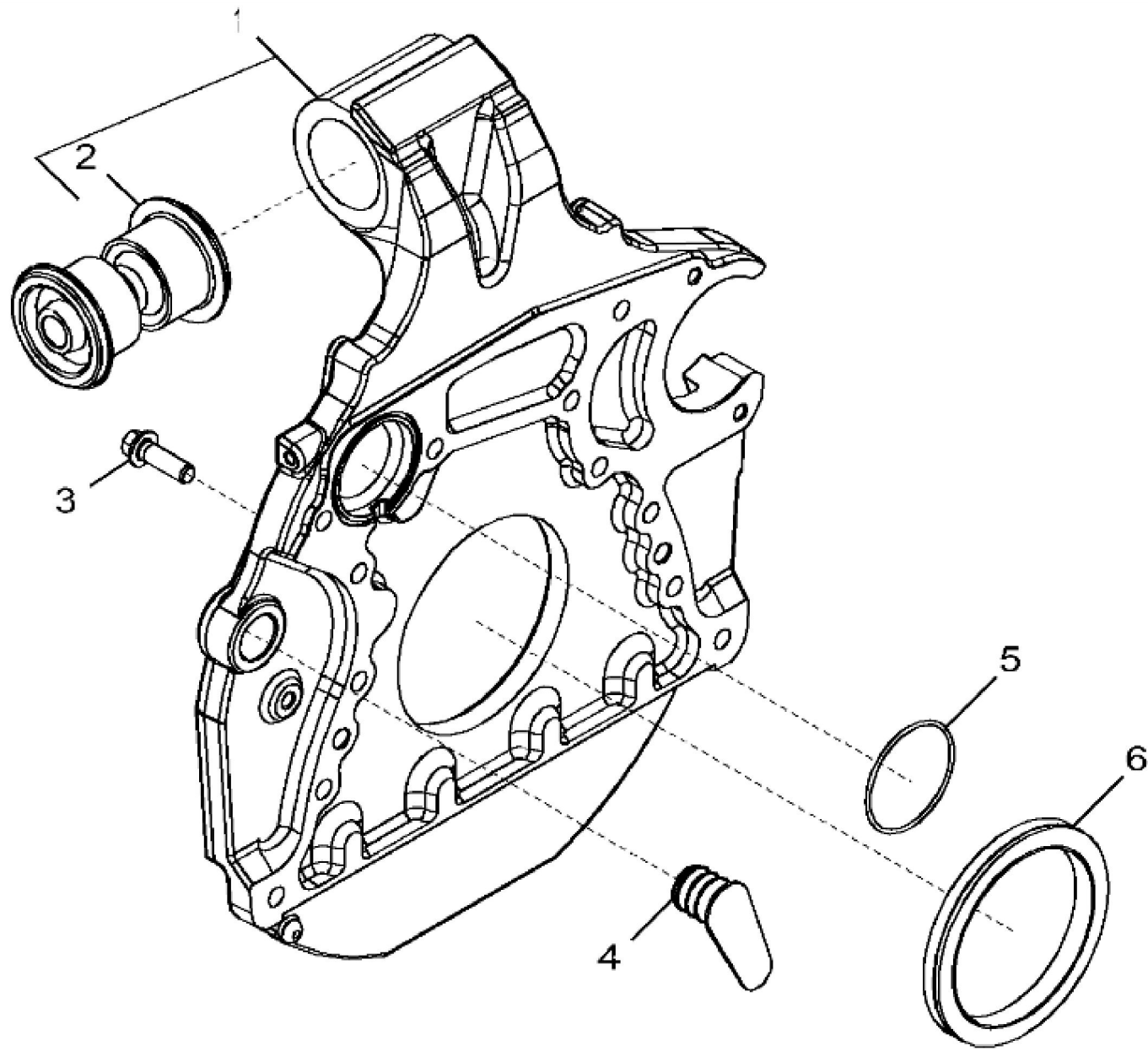
KEY	PART NO.	PART NAME	QTY	REMARKS
1	RE555026	VALVE COVER	1	MARKED R537224
1	R529152	VALVE COVER	1	ORDER RE555026
2	RE542918	VALVE	1	
3	19M7867	SCREW	15	M8 X 25
4	R534105	DEFLECTOR	1	USE WITH RE555026
4	R528408	DEFLECTOR	1	USE WITH R529152
5	19M7775	SCREW	2	M6 X 16
6	R528743	GASKET	1	
7	R532038	VALVE	1	USE WITH R529152
8	R536108	HOSE	1	ORDER DZ10571
8	DZ10571	HOSE	1	
9	TY22462	CLAMP	1	



1344\_RE543930\_PCD

John Deere > Turf And Utility > TRACTOR > 6230R - TRACTOR > 6230R Tractor (Europe Edition, Engine SN: 6068UXXXXXX)(Final Tier 4) > EN ENGINE 6068HL500-DZ104589 > EN00 ENGINE 6068HL500-DZ104589 6068HL500 > ST330764 - 1344 CRANKSHAFT PULLEY

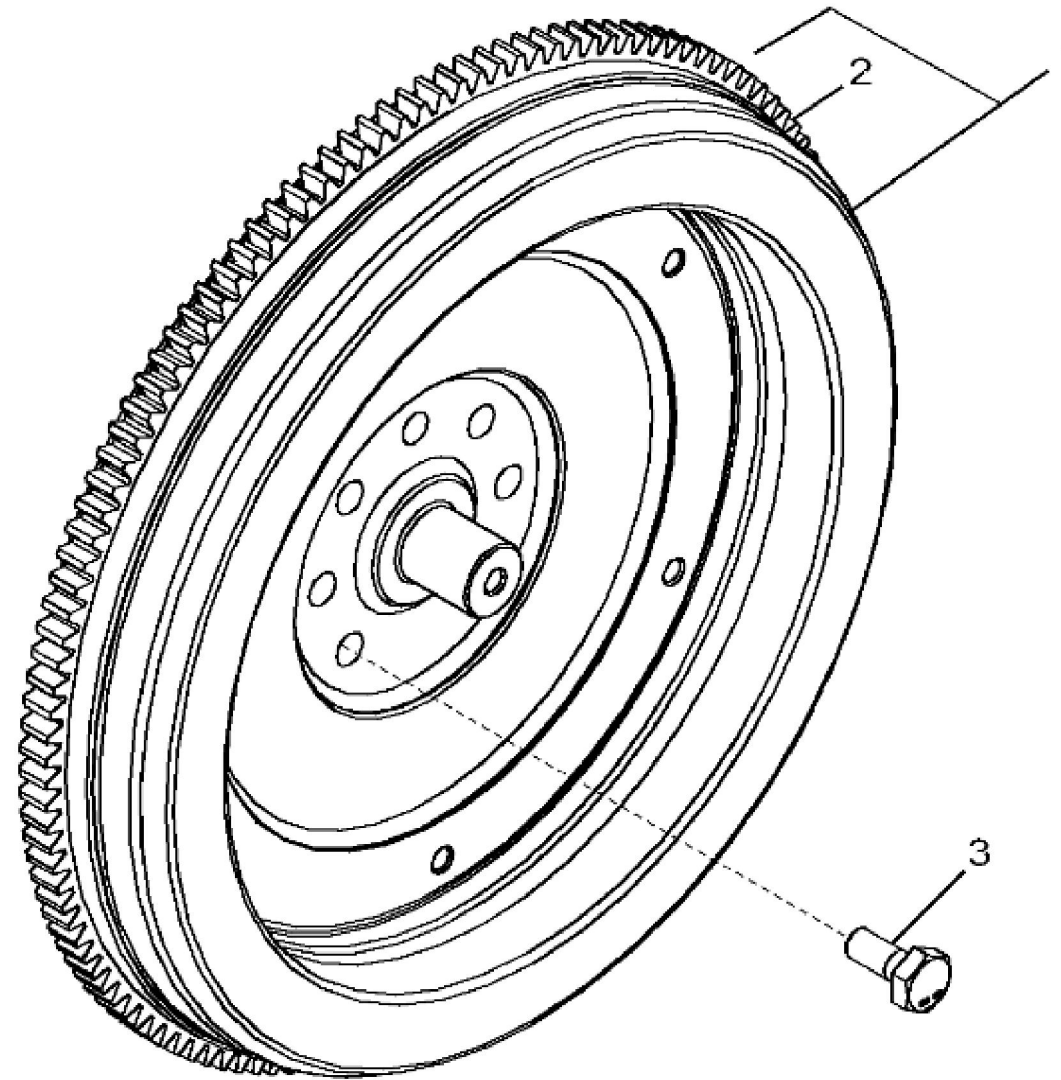
KEY	PART NO.	PART NAME	QTY	REMARKS	
1	RE541579	PULLEY WITH DAMPENER	1		
2	R517237	BUSHING	1		
3	R516648	CAP SCREW	1	M20 X 70	



14BX\_ETN146374\_PCD

John Deere > Turf And Utility > TRACTOR > 6230R - TRACTOR > 6230R Tractor (Europe Edition, Engine SN: 6068UXXXXX)(Final Tier 4) > EN ENGINE 6068HL500-DZ104589 > EN00 ENGINE 6068HL500-DZ104589 6068HL500 > ST874258 - 14BX FLYWHEEL HOUSING

KEY	PART NO.	PART NAME	QTY	REMARKS	
1	DZ105075	HOUSING	1	MARKED R543631	
2	.....	ISOLATOR	1		
3	R135918	BOLT	12		
4	R520982	PLUG	1		
5	R61467	O-RING	1		
6	RE524227	SEAL	1		

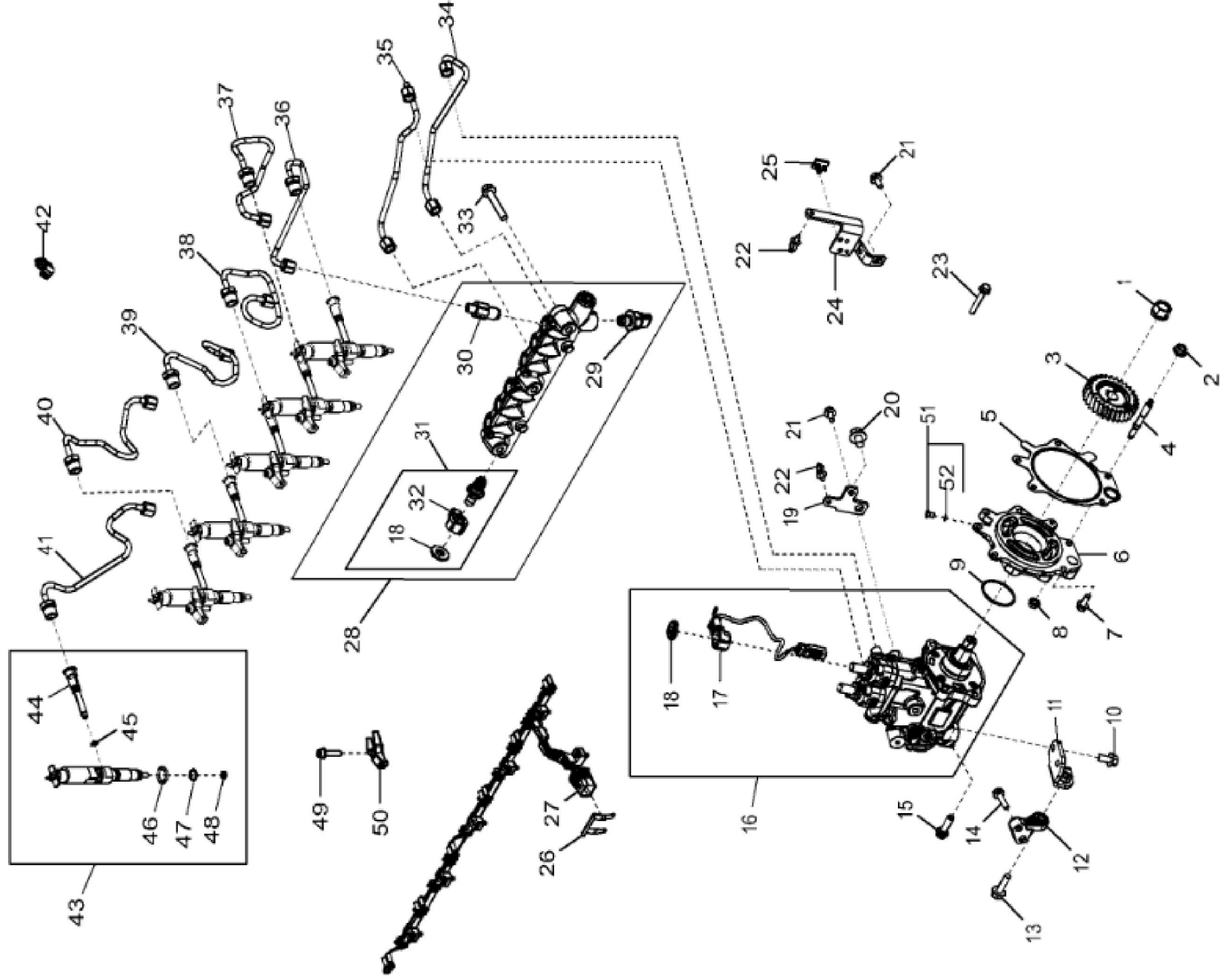


1593\_RE526325\_PCD

John Deere > Turf And Utility > TRACTOR > 6230R - TRACTOR > 6230R Tractor (Europe Edition, Engine SN: 6068UXXXXX)(Final Tier 4) > EN ENGINE 6068HL500-DZ104589 > EN00 ENGINE 6068HL500-DZ104589 6068HL500 > ST275123 - 1593 FLYWHEEL

KEY	PART NO.	PART NAME	QTY	REMARKS	
1	RE526326	FLYWHEEL	1	MARKED R521313	
2	R28811	RING GEAR	1	Z = 129; ID = 385 mm	
3	R522205	CAP SCREW	6	(One Time Usage) M12 X 30	

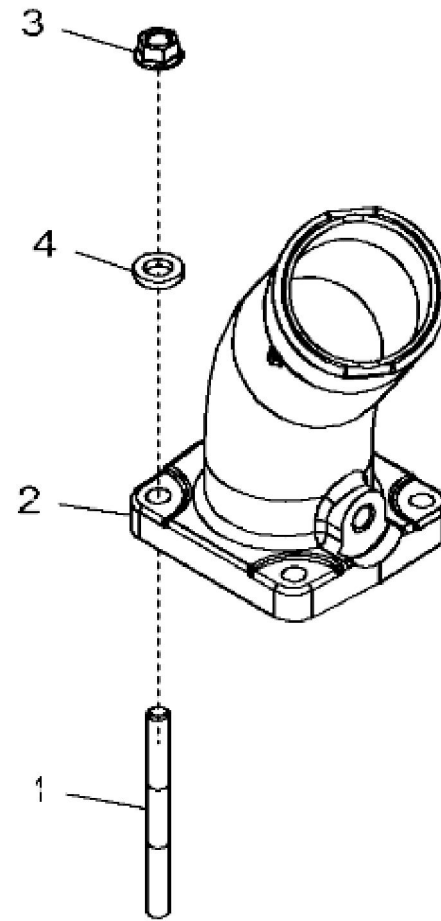




16TW\_ETN131192\_PCD

KEY	PART NO.	PART NAME	QTY	REMARKS
1	14M7332	FLANGE NUT	1	M18
2	14M7296	FLANGE NUT	3	M10
3	R544003	GEAR	1	Z = 30, MARKED R545201
4	R520139	STUD	3	
5	R534204	GASKET	1	
6	R539044	ADAPTER	1	MARKED R539097
7	RE67238	SCREW	2	(With Pre Applied Sealant)
8	14M7298	FLANGE NUT	3	M8
9	R516125	O-RING	1	
10	19M7784	SCREW	2	M10 X 20
11	RE553171	BRACKET	1	
12	R534206	BRACKET	1	MARKED R536405
13	19M7835	SCREW	1	M10 X 35
14	19M7868	SCREW	2	M8 X 30
15	R500394	SCREW	4	
16	RE564861	FUEL PUMP	1	1000 cc
17	RE569728	ELEC. CONNECTOR TERMINAL	2	
18	R536041	NUT	3	
19	R543542	BRACKET	1	
20	19M8242	SCREW	1	M12 X 16
21	19M7865	SCREW	2	M8 X 16
22	RE258807	TIE BAND	2	
23	19M7800	SCREW	2	M8 X 50
24	R546514	BRACKET	1	
25	57M9940	ELEC. CONNECTOR ACCESSORY	2	
26	R528718	CLIP	1	
27	RE558155	WIRING HARNESS	1	
28	RE549624	FUEL RAIL	1	
29	RE549752	PRESSURE SENSOR	1	(Fuel Rail Pressure Sensor)
30	RE554865	FLOW CONTROL HYD. VALVE	6	
31	RE549511	PRESSURE RELIEF FITTING	1	
32	RE553523	ELEC. CONNECTOR TERMINAL	1	
33	19M7807	SCREW	3	M10 X 60
34	RE549626	FUEL LINE	1	

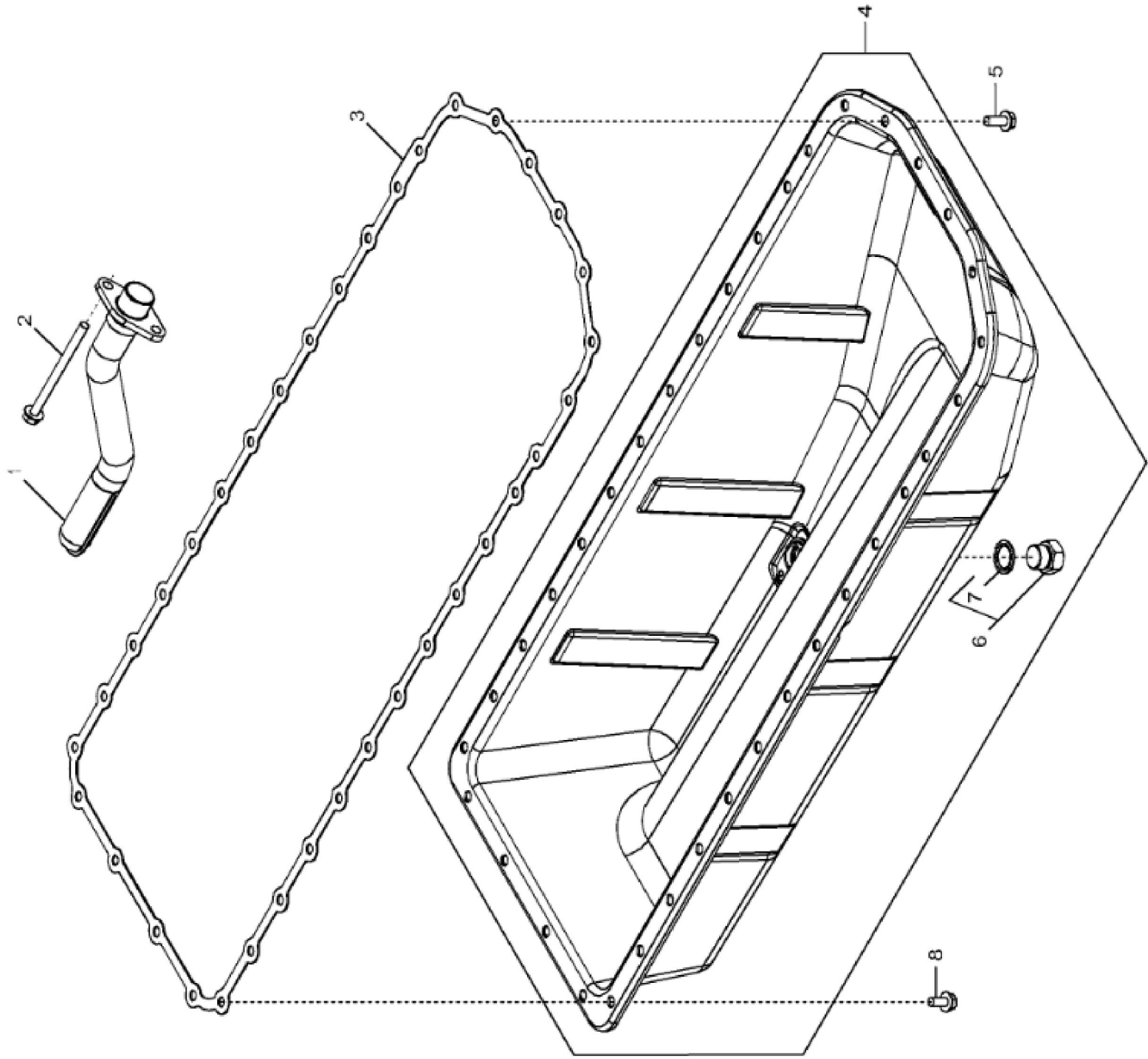
KEY	PART NO.	PART NAME	QTY	REMARKS
35	RE549627	FUEL LINE	1	
36	DZ101179	FUEL LINE	1	SUB FOR RE549615
37	DZ101178	FUEL LINE	1	SUB FOR RE549616
38	DZ101182	FUEL LINE	1	SUB FOR RE549617
39	DZ101183	FUEL LINE	1	SUB FOR RE549618
40	DZ101185	FUEL LINE	1	SUB FOR RE549619
41	DZ101186	FUEL LINE	1	SUB FOR RE549625
42	RE553626	CLAMP	4	
43	DZ100667	NOZZLE KIT	6	
44	RE549731	TUBE	6	
45	R63548	O-RING	6	
46	R505452	O-RING	6	
47	R74354	O-RING	6	
48	R131051	WASHER	6	
49	RE528096	SCREW WITH WASHER	6	
50	R522417	CLAMP	6	ALSO ORDER RE528096
51	64M5014	DRAIN PLUG	1	
52	R30903	O-RING	1	



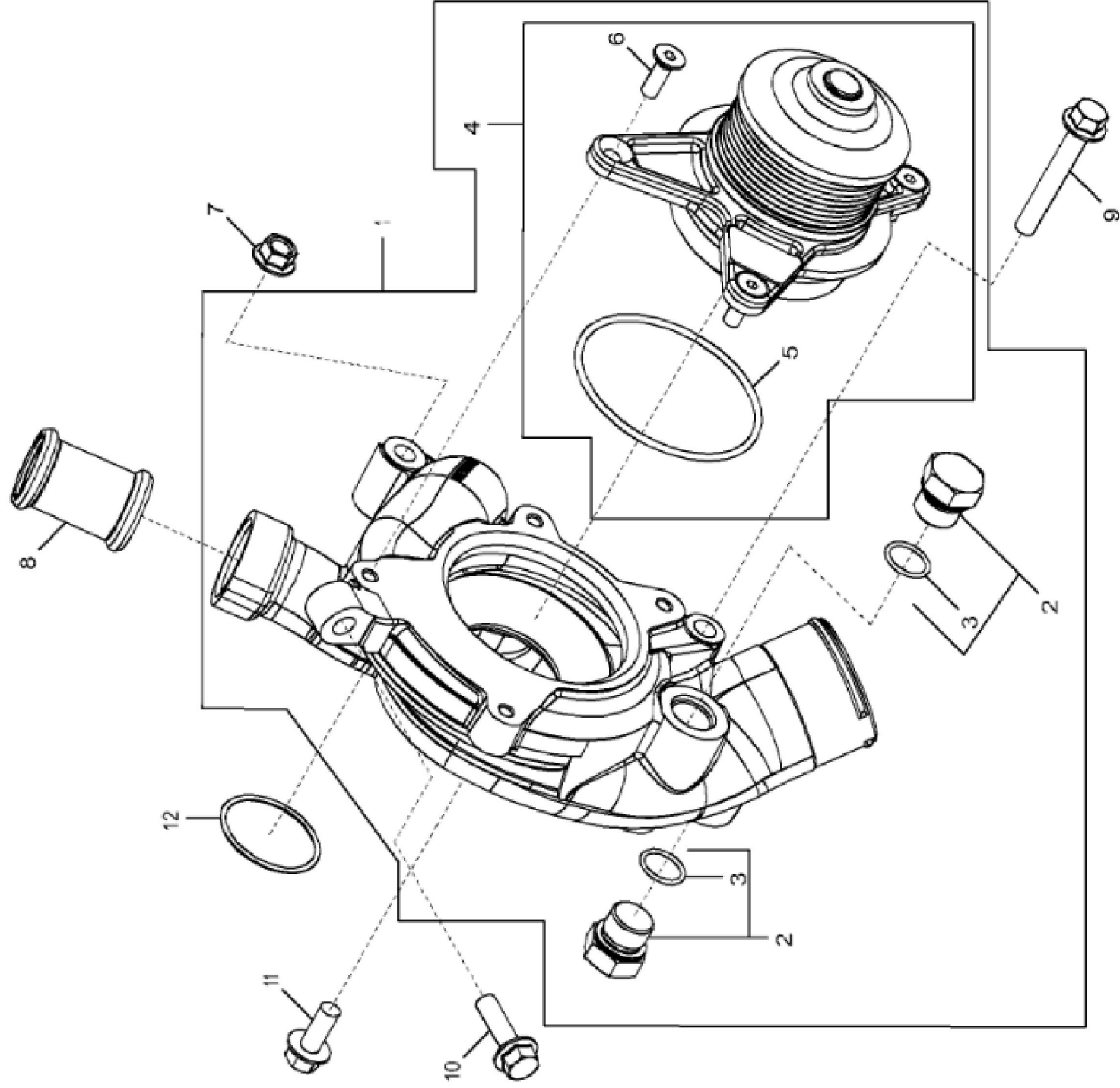
17DQ\_RE540563\_PCD

John Deere > Turf And Utility > TRACTOR > 6230R - TRACTOR > 6230R Tractor (Europe Edition, Engine SN: 6068UXXXXXX)(Final Tier 4) > EN ENGINE 6068HL500-DZ104589 > EN00 ENGINE 6068HL500-DZ104589 6068HL500 > ST330884 - 17DQ AIR INTAKE

KEY	PART NO.	PART NAME	QTY	REMARKS	
1	42M7015	STUD	4		
2	R529449	AIR INTAKE	1		
3	14M7298	FLANGE NUT	4	M8	
4	24M7106	WASHER	2	10 X 18 X 2.500 mm	



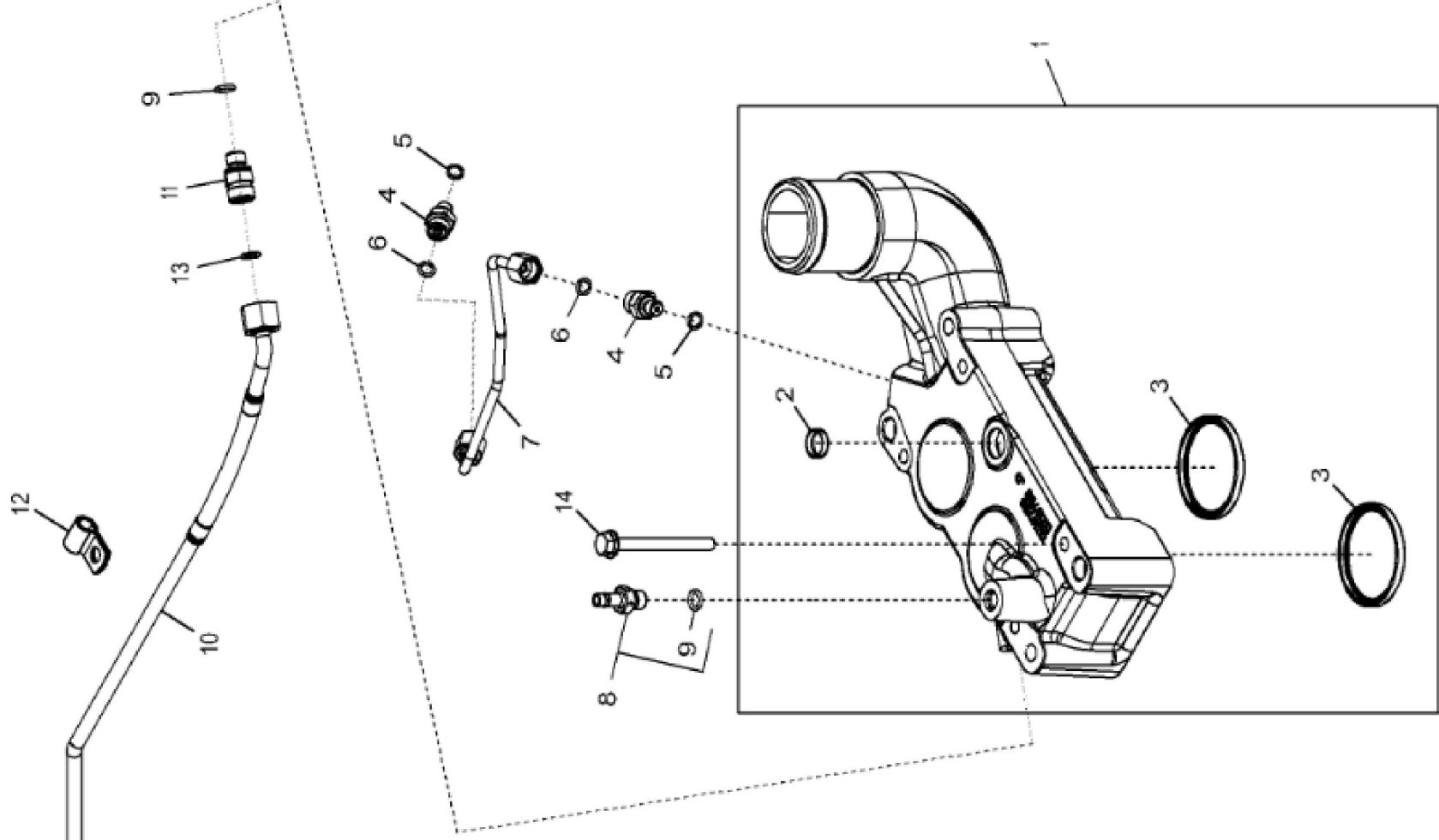
KEY	PART NO.	PART NAME	QTY	REMARKS
1	RE540286	OIL PUMP INTAKE	1	
2	19M10075	SCREW	2	M8 X 110
3	R521498	GASKET	1	
4	RE540285	OIL PAN	1	
5	19M8062	SCREW	6	M8 X 20
6	RE523251	FITTING PLUG	1	
7	R519742	SEAL	1	
8	19M8163	BOLT	30	M8 X 16



2066\_RE566340\_PCD

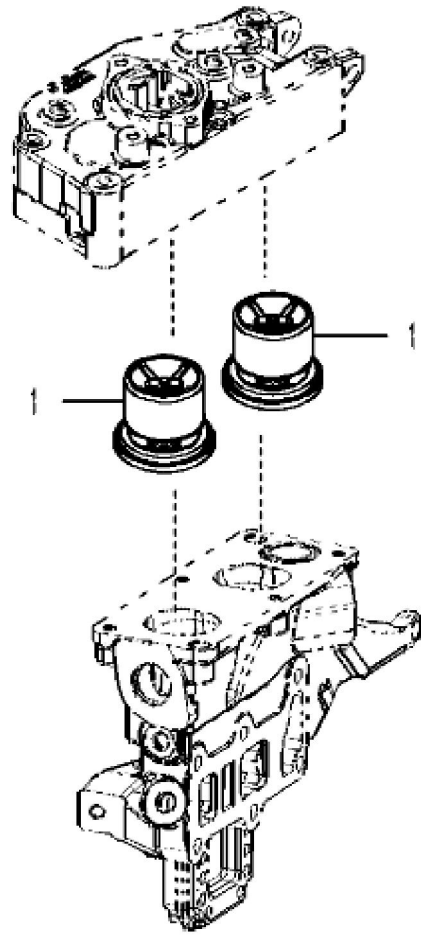


KEY	PART NO.	PART NAME	QTY	REMARKS
1	RE556137	WATER PUMP	1	MARKED R538406
2	RE46687	DRAIN PLUG	2	
3	51M7045	O-RING	1	19.300 X 2.200 mm
4	RE557899	PUMP	1	
5	R541830	O-RING	1	
6	19M7585	SCREW	4	M8 X 25
7	14M7296	FLANGE NUT	1	M10
8	R528313	TUBE	1	
9	19M8114	SCREW	1	M10 X 70
10	19M7835	SCREW	1	M10 X 35
11	19M7785	SCREW	1	M10 X 25
12	R529665	O-RING	1	



21AN\_ETN129680\_PCD

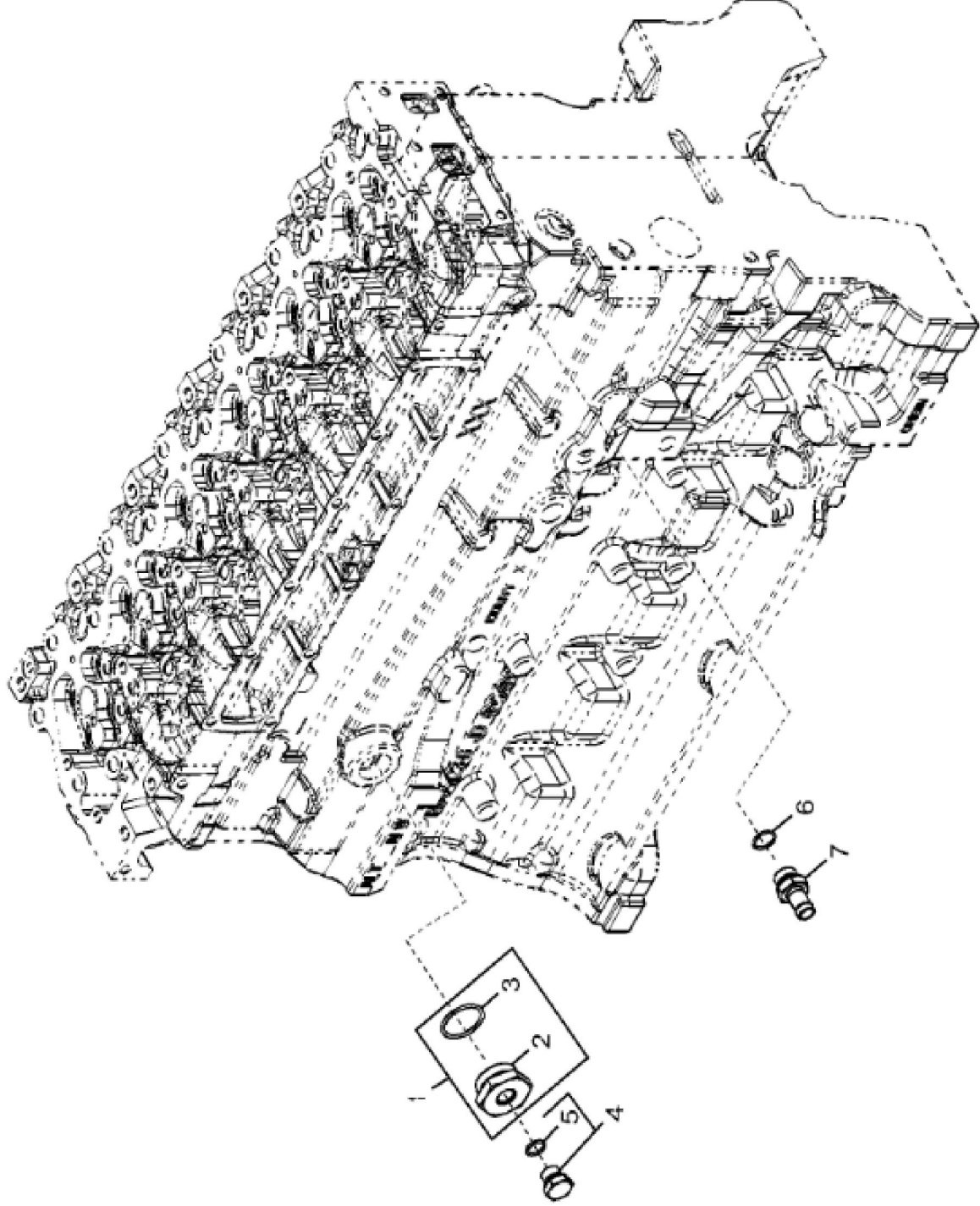
KEY	PART NO.	PART NAME	QTY	REMARKS
1	DZ10760	COVER	1	MARKED DZ10758
2	30M7024	PLUG	1	
3	R529398	SEAL	2	
4	38H5174	ADAPTER FITTING	2	
5	51M7039	O-RING	2	8.100 X 1.600 mm
6	T77814	O-RING	2	
7	DZ104465	LINE	1	
8	AT323961	ADAPTER FITTING	1	
9	51M7040	O-RING	3	9.300 X 2.200 mm
10	DZ104467	LINE	1	
11	38H5008	ADAPTER FITTING	2	
12	AH76882	CLIP	1	
13	T77613	O-RING	2	
14	19M8039	SCREW	4	M8 X 80



2221\_RE540498\_PCD

John Deere > Turf And Utility > TRACTOR > 6230R - TRACTOR > 6230R Tractor (Europe Edition, Engine SN: 6068UXXXXXX)(Final Tier 4) > EN ENGINE 6068HL500-DZ104589 > EN00 ENGINE 6068HL500-DZ104589 6068HL500 > ST197147 - 2221 THERMOSTAT

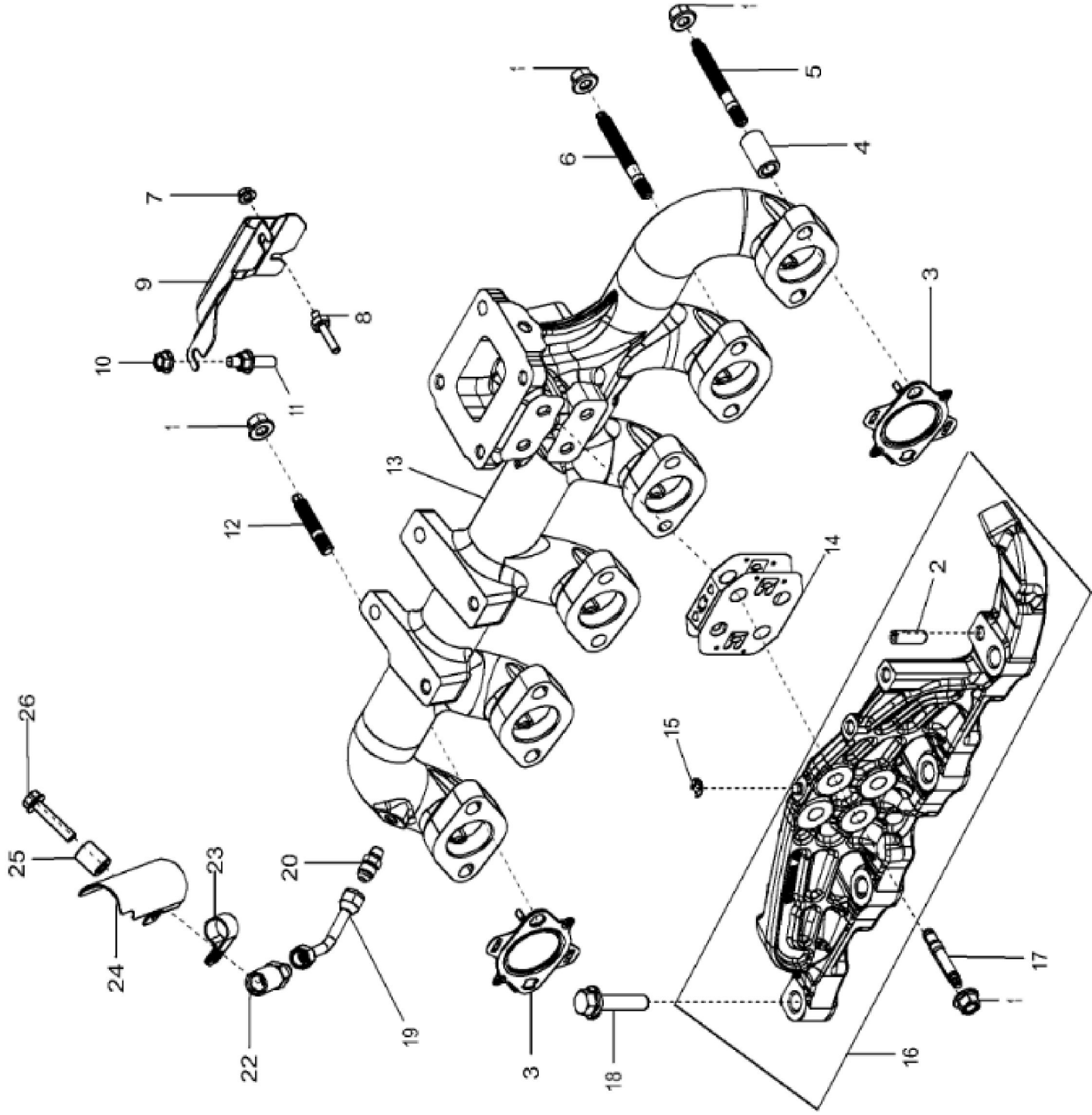
KEY	PART NO.	PART NAME	QTY	REMARKS	
1	RE554015	THERMOSTAT	2	SUB FOR RE540379	



2611\_ETM127138\_PCD

John Deere > Turf And Utility > TRACTOR > 6230R - TRACTOR > 6230R Tractor (Europe Edition, Engine SN: 6068UXXXXX)(Final Tier 4) > EN ENGINE 6068HL500-DZ104589 > EN00 ENGINE 6068HL500-DZ104589 6068HL500 > ST821516 - 2611 COOLANT HEATER

KEY	PART NO.	PART NAME	QTY	REMARKS	
1	RE565310	PLUG	1		
2	R123616	PLUG	1		
3	U13639	O-RING	1		
4	RE46685	FITTING PLUG	1		
5	51M7043	O-RING	1	15.300 X 2.200 mm	
6	51M7045	O-RING	1	19.300 X 2.200 mm	
7	L158360	FITTING	1		



28DN\_ETN130888\_PCD



**Thank you very much for your reading. Please Click Here. Then Get COMPLETE MANUAL. NO WAITING**



**NOTE:**

**If there is no response to click on the link above, please download the PDF document first and then click on it.**

KEY	PART NO.	PART NAME	QTY	REMARKS
1	R539762	FLANGE NUT	16	
2	22M7222	SET SCREW	1	M10 X 30
3	R544294	GASKET	6	
4	R535122	SPACER	10	
5	DZ10229	STUD	2	
6	R530022	STUD	8	
7	14M7303	FLANGE NUT	1	M6
8	R535372	STUD	1	
9	R550889	HEAT SHIELD	1	
10	14M7298	FLANGE NUT	2	M8
11	R550919	STUD	2	
12	R530341	STUD	2	
13	DZ101296	EXHAUST MANIFOLD	1	MARKED DZ101295
14	DZ101298	SHIM	1	
15	40M7042	SNAP RING	1	
16	DZ102600	BRACKET	1	MARKED DZ100885; ORDERDZ106286
16	DZ106286	BRACKET	1	MARKED DZ106032; INCLUDES22M7222
17	R543352	STUD	4	
18	R535377	SCREW	3	
19	RE546446	LINE	1	
20	R27346	FITTING	1	
22	R529704	ADAPTER FITTING	1	
23	R519502	CLAMP	1	
24	R532097	HEAT SHIELD	1	
25	R532758	SPACER	1	
26	19M7798	SCREW	1	M8 X 40