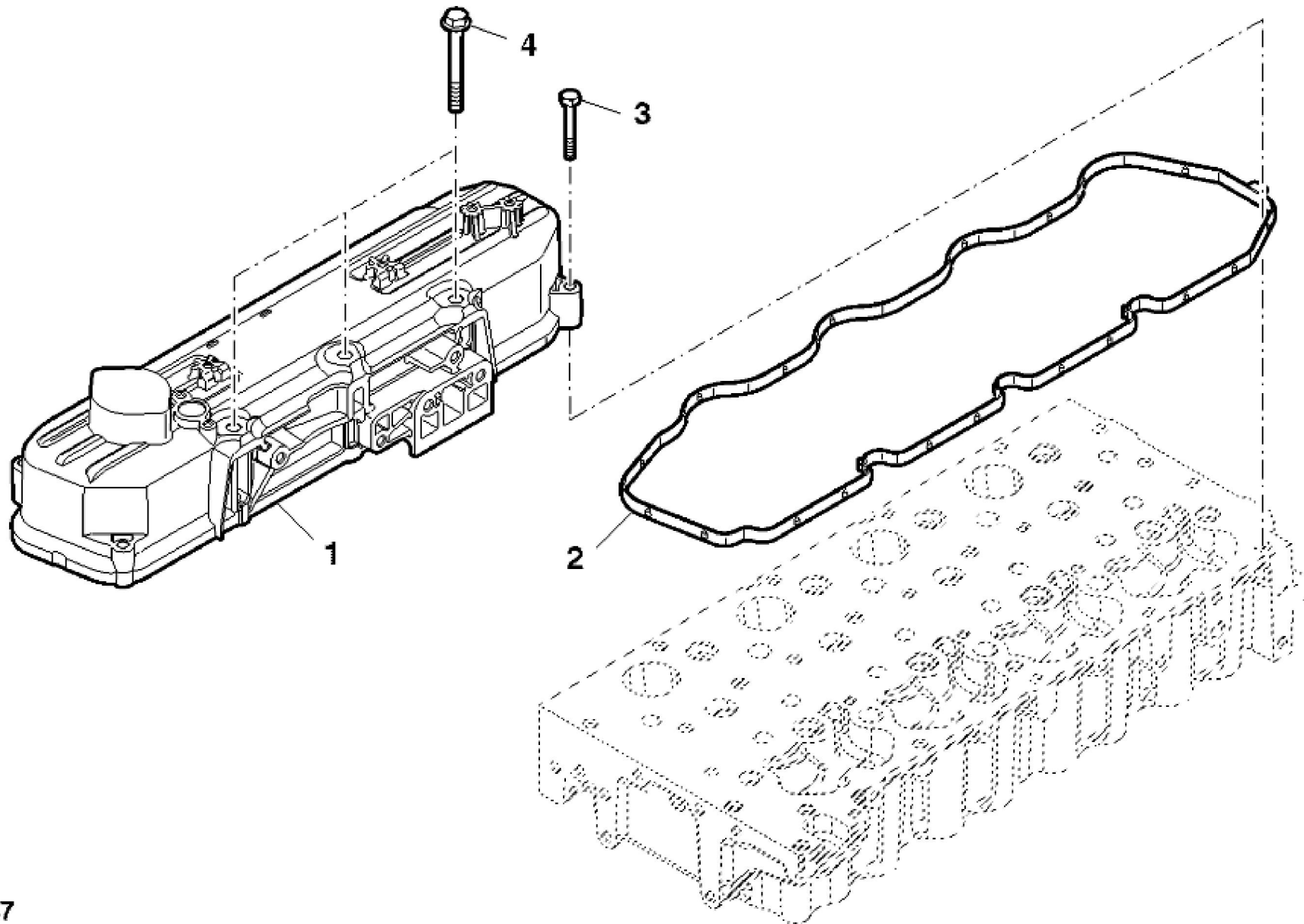


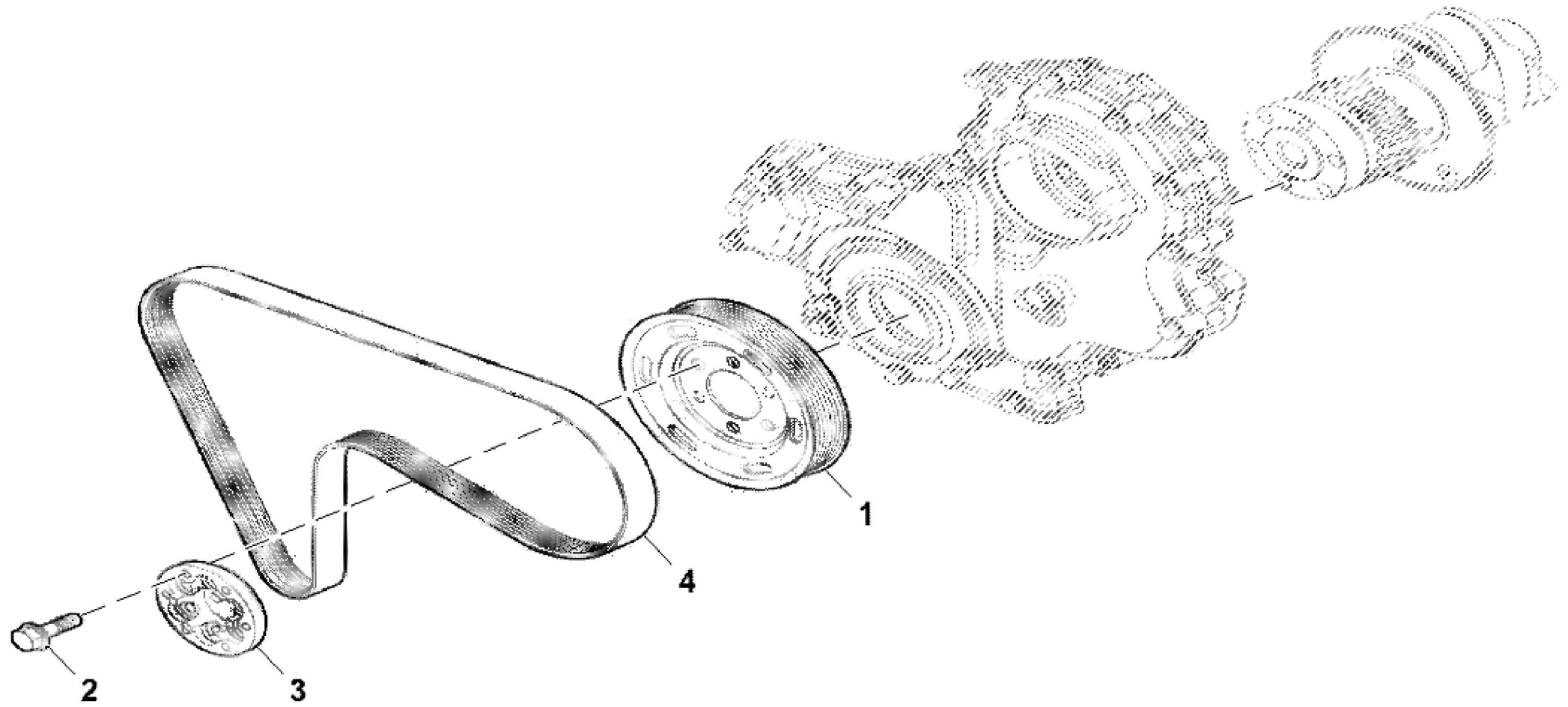
PY040245

KEY	PART NO.	PART NAME	QTY	REMARKS	
1	ER5801363172	HOUSING	1		
2	ER5801363175	GASKET	4		
3	ER0504273002	PLUG	4	M12 X 1.5	
4	ER0016673835	BOLT	9	M8 X 30	



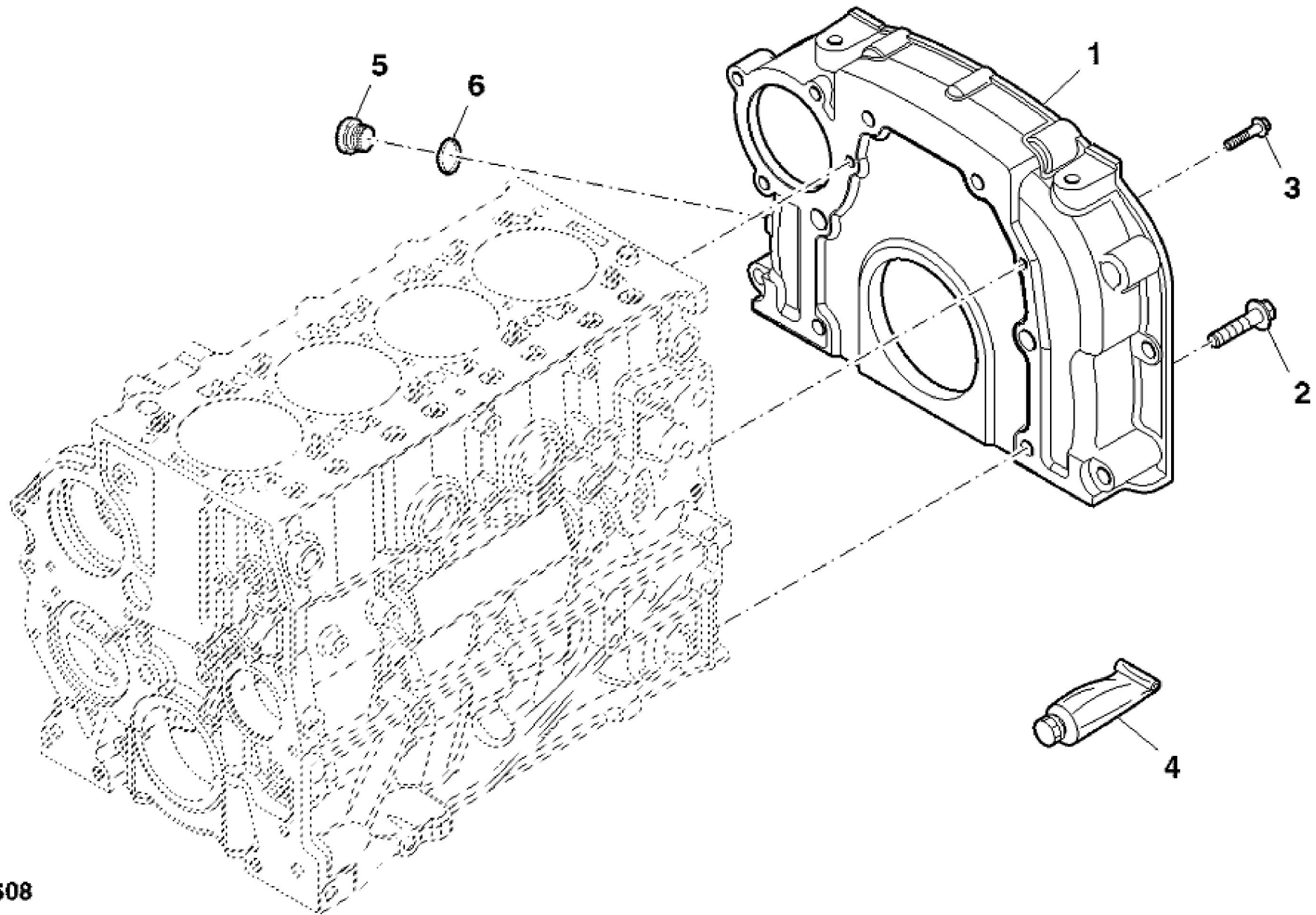
PY040247

KEY	PART NO.	PART NAME	QTY	REMARKS	
1	ER5801526315	COVER	1		
2	ER5801446795	GASKET	1		
3	ER0016591725	BOLT	7	M6 X 40	
4	ER0016598325	BOLT	3	M8 X 100	



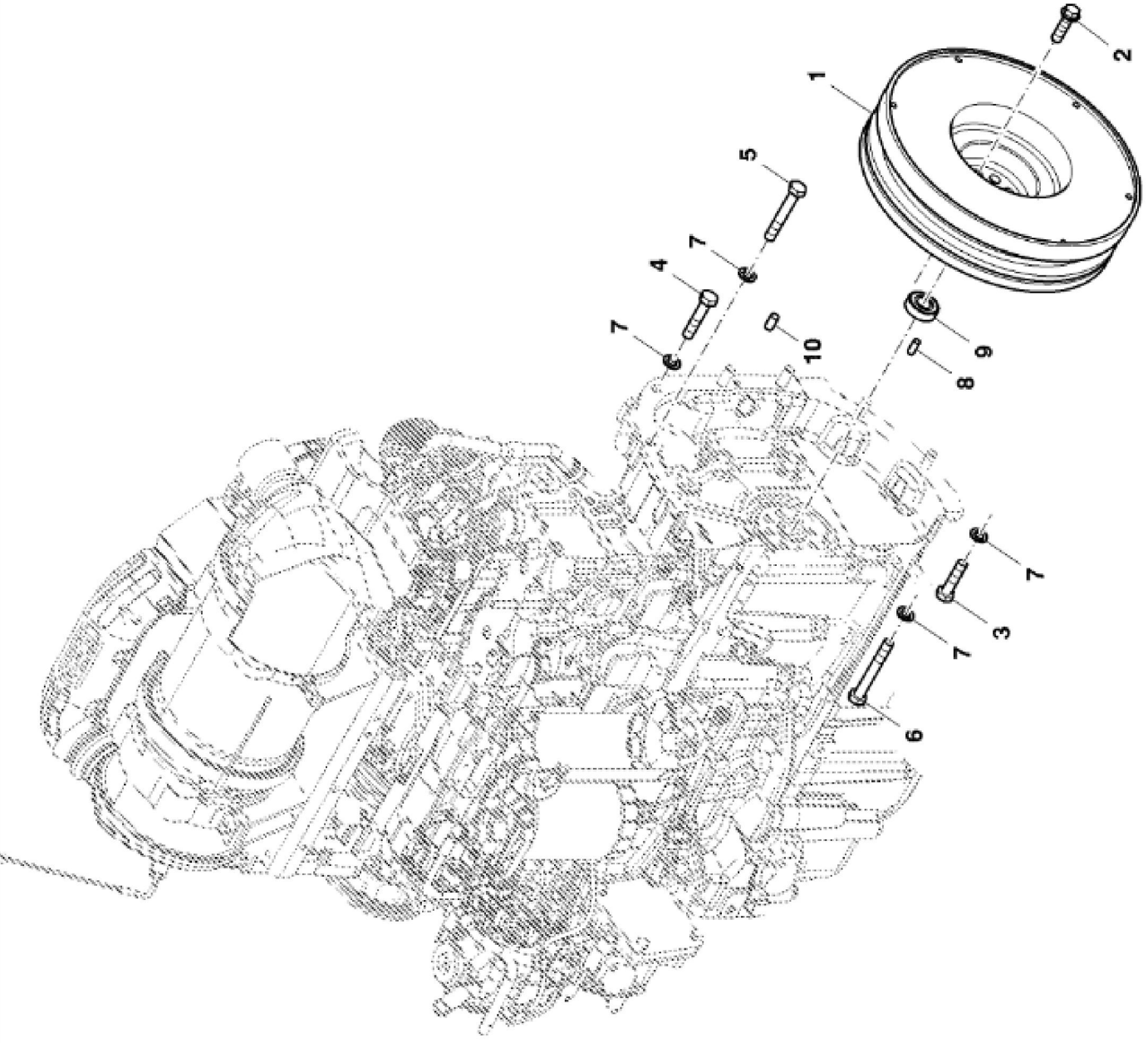
LX246142

KEY	PART NO.	PART NAME	QTY	REMARKS	
1	ER5801363585	PULLEY	1		
2	ER0016675835	BOLT	6		
3	ER5801380424	SPACER	1		
4	ER5801440074	V-BELT	1		



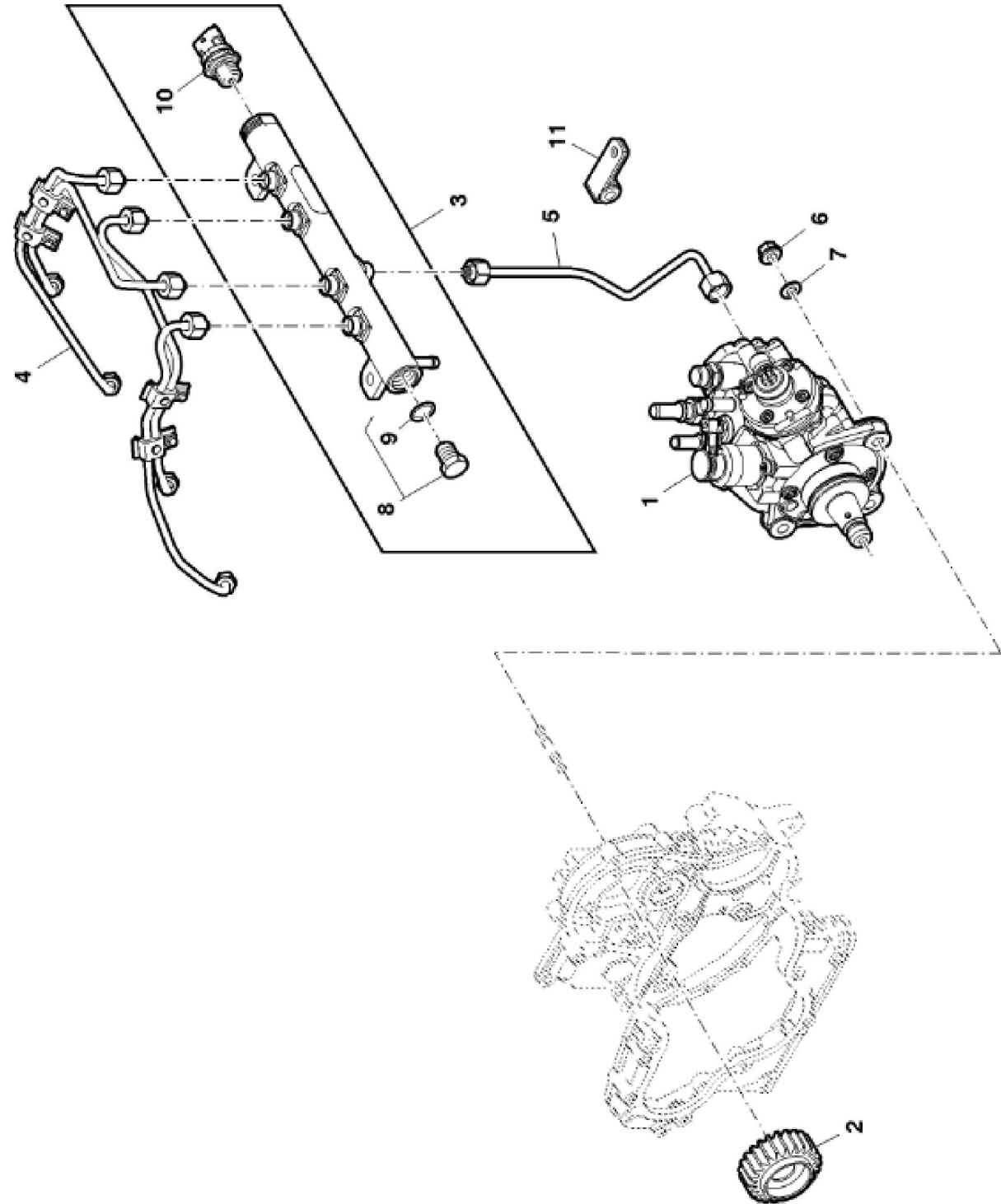
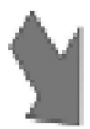
LX245608

KEY	PART NO.	PART NAME	QTY	REMARKS	
1	ER0504180348	HOUSING	1		
2	ER0016678034	BOLT	6	M12 X 40	
3	ER0016673735	BOLT	2	M8 X 1.25 X 25	
4	ER0002995644	ADHESIVE	1		
5	ER0004895378	PLUG	1		
6	ER0017288480	O-RING	1		



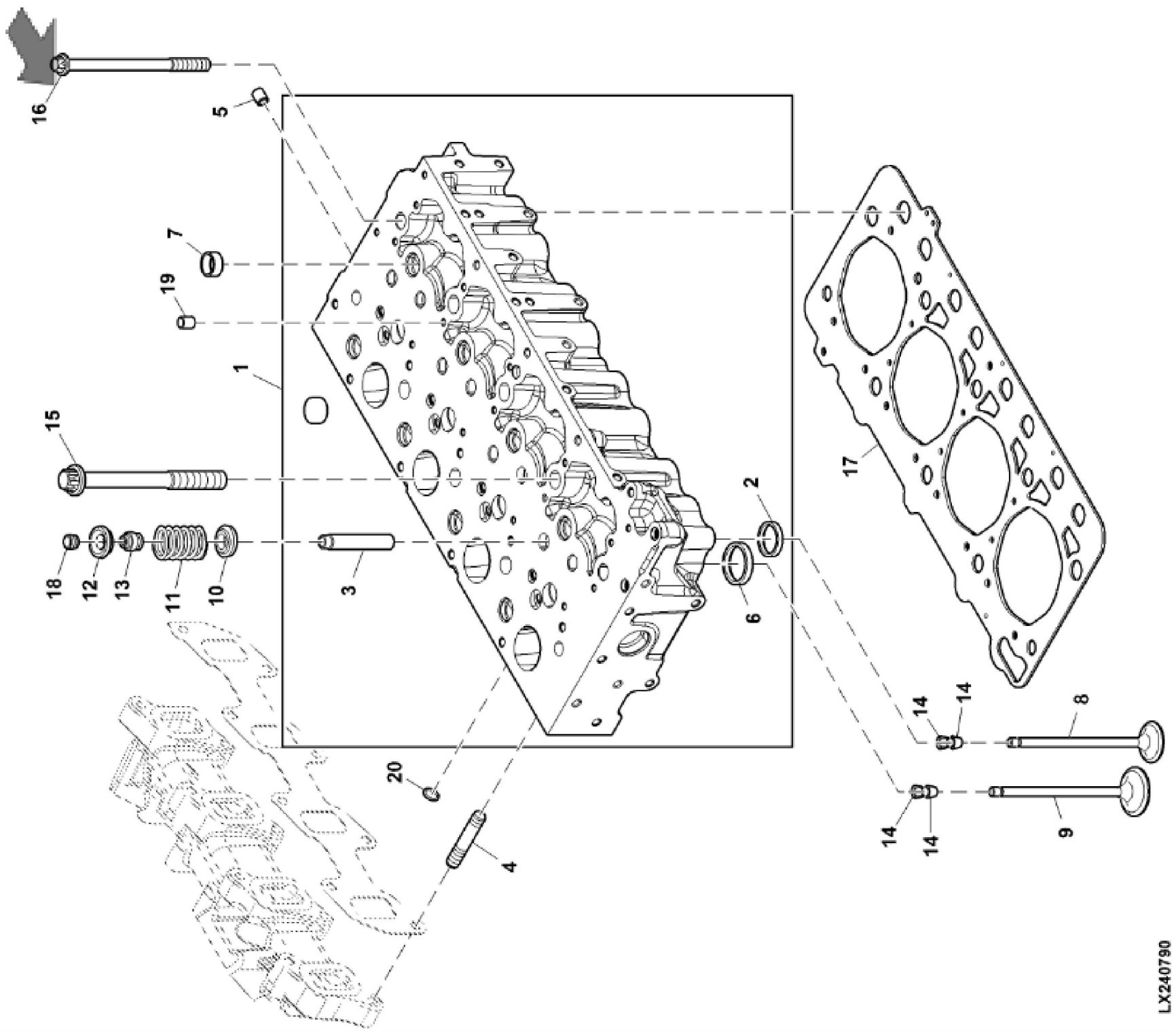
LX245582

KEY	PART NO.	PART NAME	QTY	REMARKS	
1	ER372511	FLYWHEEL	1	(PowrReverser™) 11"	
1	ER436582	FLYWHEEL	1	(Mechanical Transmission) 12"	
2	ER393149	SELF-LOCKING SCREW	8	M12 X 42.5	
3	ER021143	SCREW	6	M12 X 50	
4	ER021148	SCREW	2	M12 X 60	
5	ER021155	SCREW	2	M12 X 80	
6	ER021157	BOLT	2	M12 X 90	
7	ER022861	WASHER	12		
8	ER024502	PIN	1		
9	ER026017	BEARING	1	(Mechanical Transmission) 12"	
10	ER202960	DOWEL PIN	2		



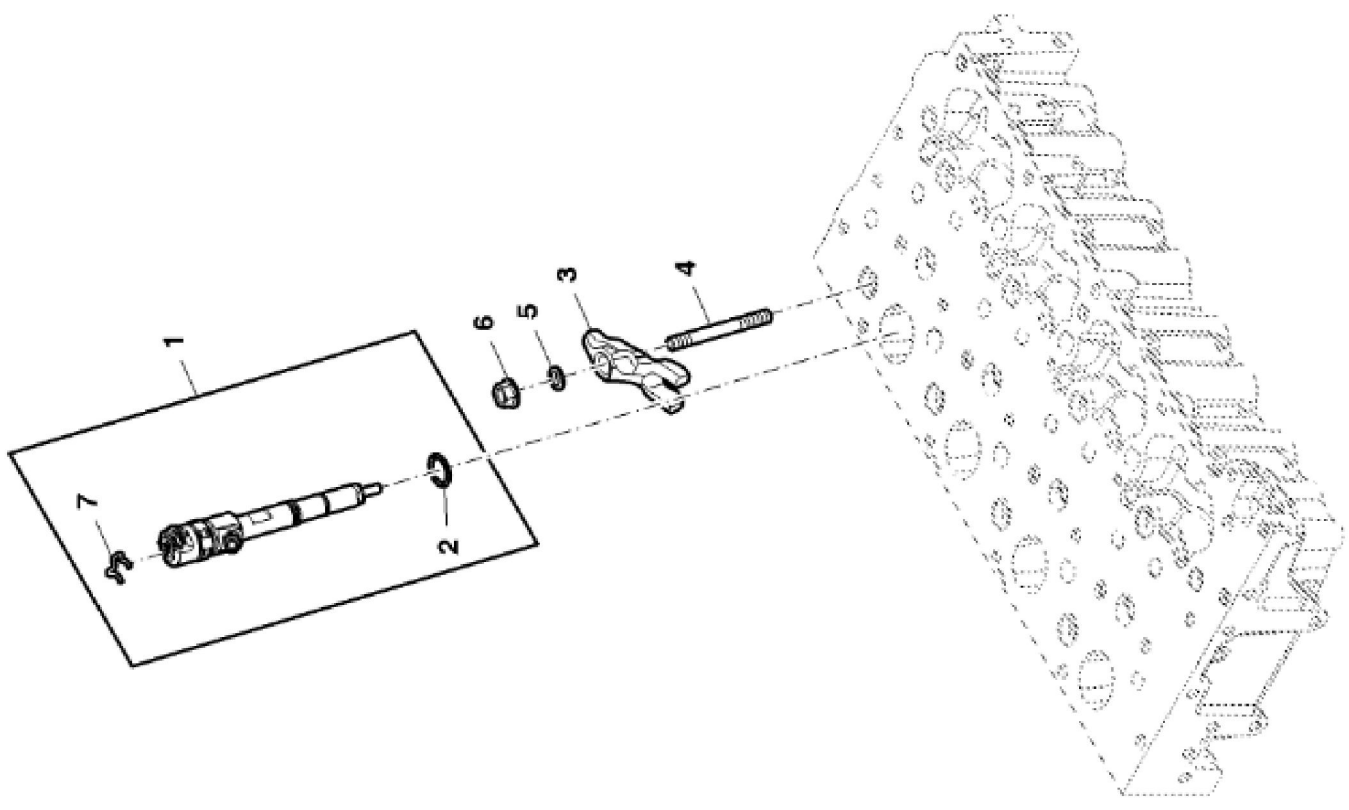
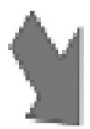
PY040548

KEY	PART NO.	PART NAME	QTY	REMARKS	
1	ER5801470100	FUEL INJECTION PUMP	1		
2	ER0504387506	GEAR	1		
3	ER5801470105	FUEL RAIL	1		
4	ER0504387341	FUEL LINE	1		
5	ER0504387346	FUEL LINE	1		
6	ER0017044725	NUT	3	M8 X 1.25	
7	ER0017094904	WASHER	3		
8	ER5801474163	VALVE	1		
9	ER0042553494	O-RING	1		
10	ER5801474160	SENSOR	1	(Pressure Sensor)	
11	ER5801555843	BRACKET	1		



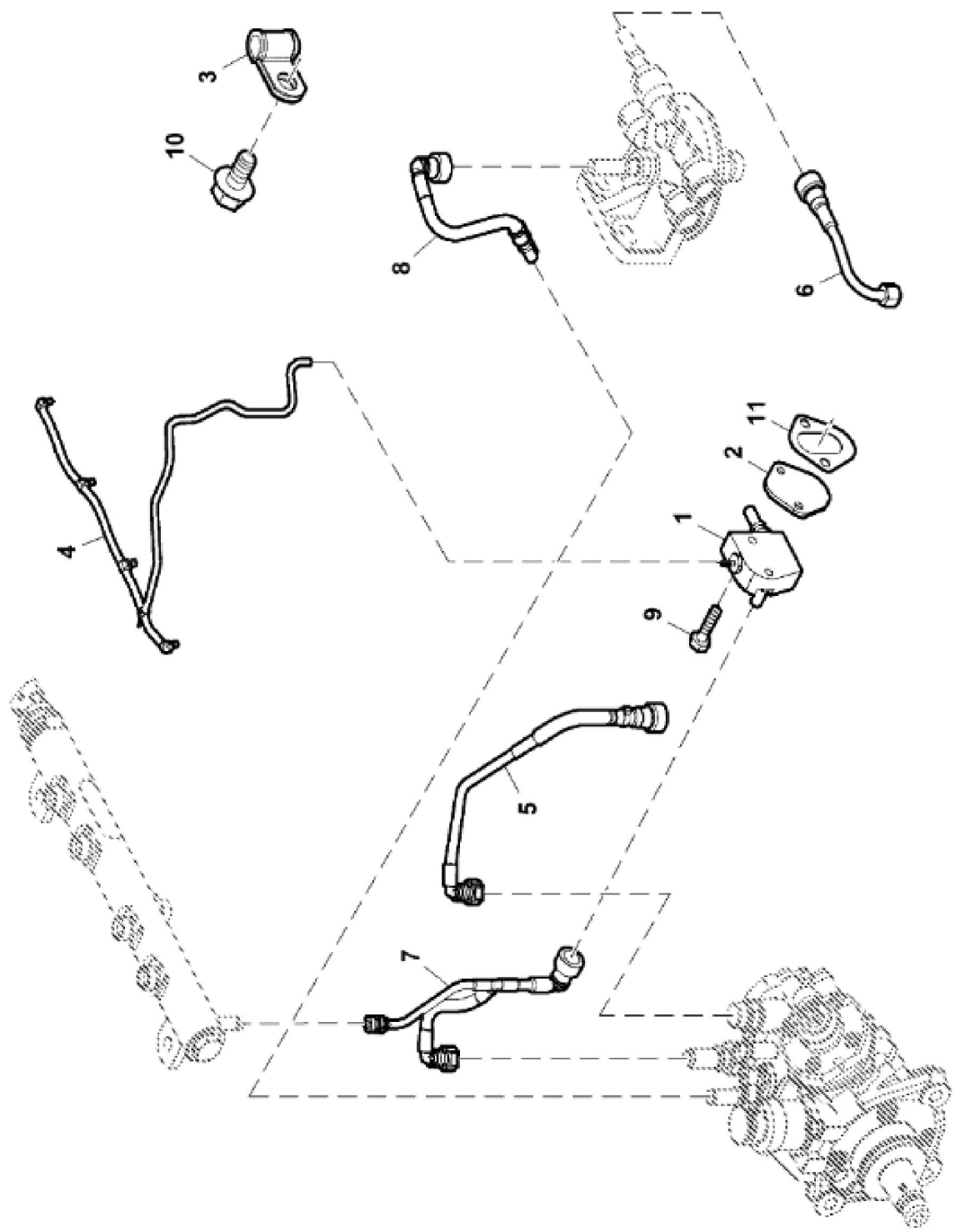
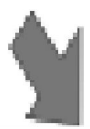
LX240790

KEY	PART NO.	PART NAME	QTY	REMARKS
1	ER0504389002	CYLINDER HEAD	1	
2	ER0504162949	VALVE SEAT	4	
3	ER0004749397	GUIDE	8	STD
3	ER0004749398	GUIDE	8	DIA = + 0.1 mm
3	ER0004749399	GUIDE	8	DIA = + 0.2 mm
4	ER5801475385	STUD	8	M8 X 1.25
5	ER0016990970	PLUG	1	
6	ER0504254094	VALVE SEAT	4	
7	ER0016988301	PLUG	8	
8	ER0504387778	INTAKE VALVE	4	
9	ER0504387779	EXHAUST VALVE	4	
10	ER0504178119	CAP	8	
11	ER0004812347	SPRING	8	
12	ER0004780558	CAP	8	
13	ER0040101573	CAP	8	
14	ER0004819891	RETAINER	16	
15	ER0504081521	STUD	6	M15 X 1.5 X 193
16	ER0504081533	STUD	4	M12 X 1.5 X 162
17	ER5801450757	GASKET	1	TK = + 0.8 mm
17	ER5801450758	GASKET	1	TK = + 0.7 mm
18	ER0504387777	VALVE COVER	8	
19	ER0099435557	DOWEL PIN	1	
20	ER0016990670	PLUG	4	



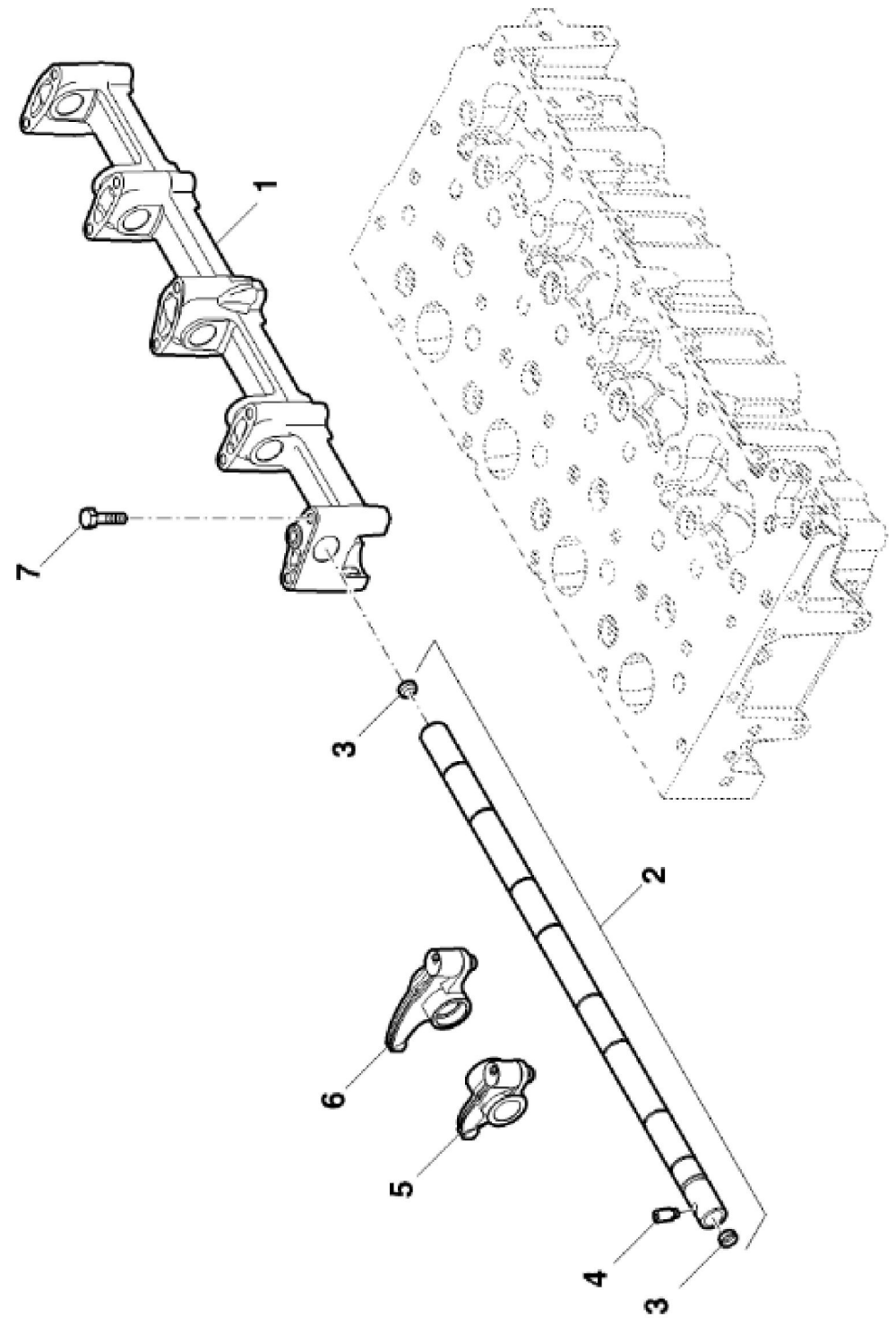
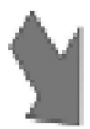
PY040551

KEY	PART NO.	PART NAME	QTY	REMARKS	
1	ER5801470098	ELECTRONIC UNIT INJECTOR	4		
2	ER0004899689	WASHER	4		
3	ER0504378841	BRACKET	4		
4	ER5801473742	STUD	4	M8 X 65	
5	ER0500353601	WASHER	4		
6	ER0017044735	NUT	4		
7	ER0008097971	CLAMP	4		



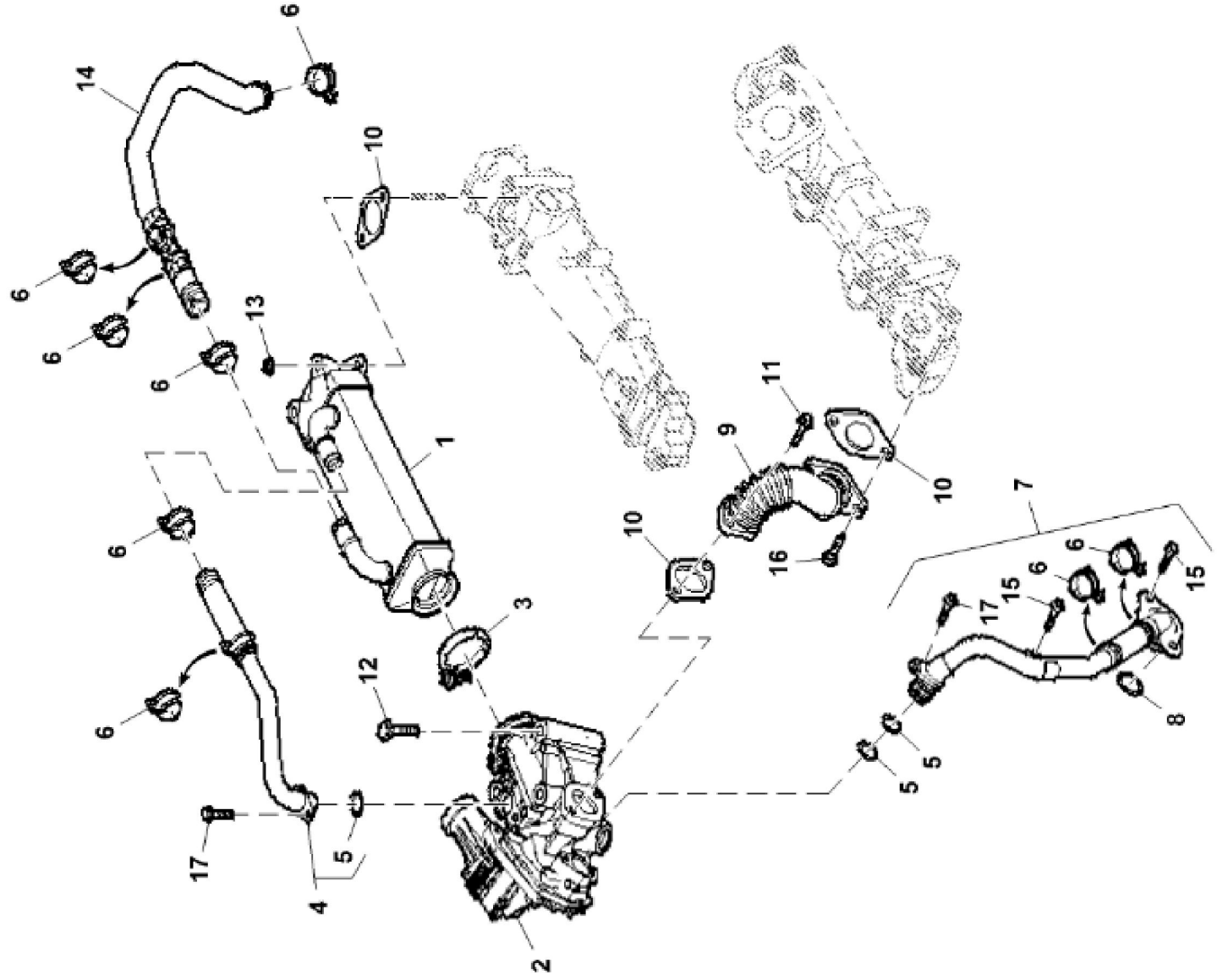
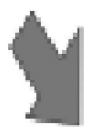
LX246143

KEY	PART NO.	PART NAME	QTY	REMARKS	
1	ER5801698739	VALVE	1		
2	ER0504332869	COVER	1		
3	ER0017316290	CLIP	1		
4	ER5801476218	FUEL LINE	1		
5	ER5801496365	FUEL LINE	1		
6	ER0504385537	FUEL LINE	1		
7	ER0504388781	FUEL LINE	1		
8	ER0504385539	FUEL LINE	1		
9	ER0016586725	BOLT	2	M8 X 30	
10	ER0016597925	BOLT	2	M8 X 14	
11	ER0504332889	GASKET	1		



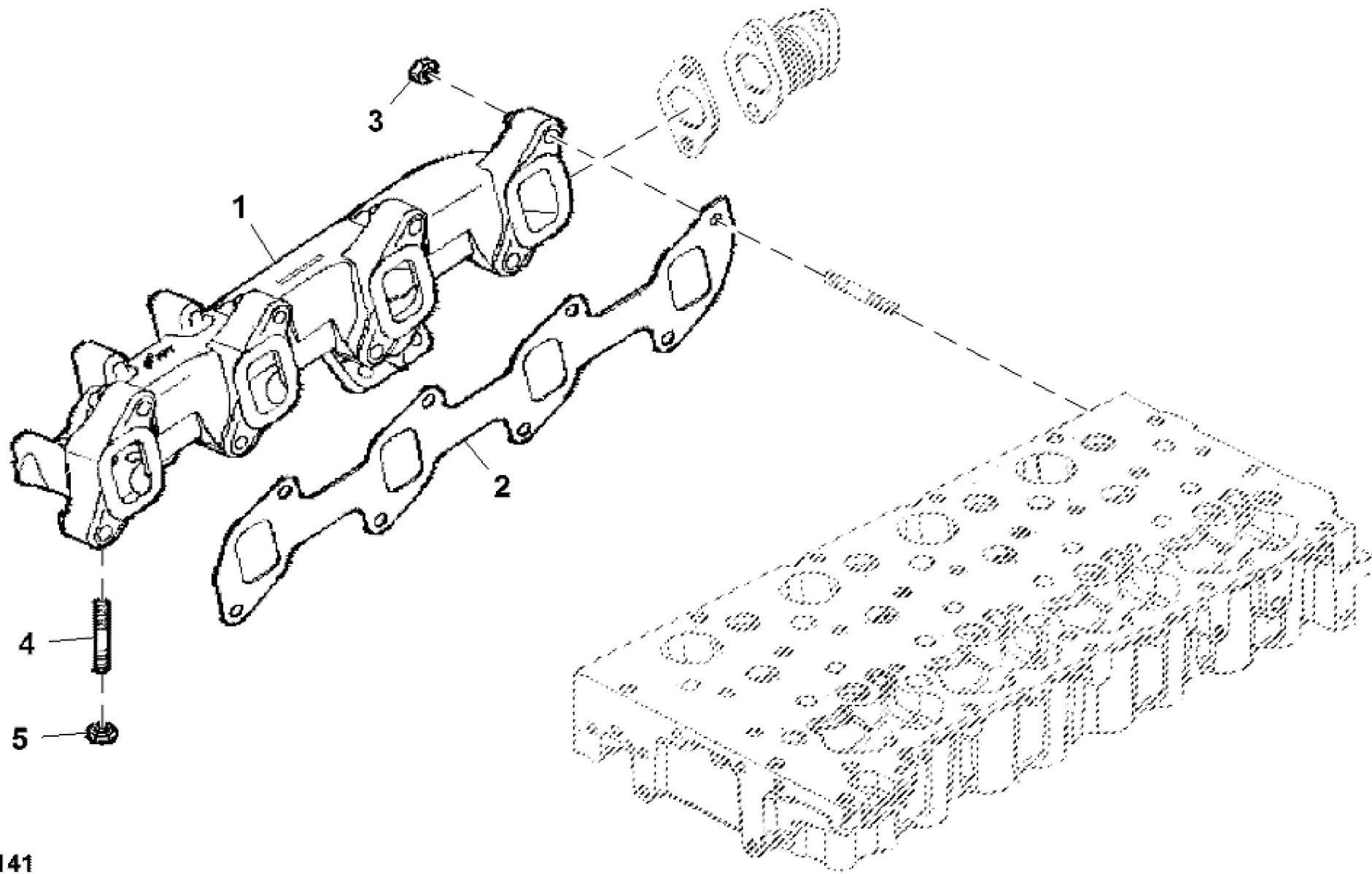
PY040448

KEY	PART NO.	PART NAME	QTY	REMARKS	
1	ER5801364420	SUPPORT	1		
2	ER5801364425	SHAFT	1		
3	ER0016987801	PLUG	2		
4	ER0099454296	SCREW	1		
5	ER0504389302	ROCKER ARM	4	(Intake)	
6	ER0504389297	ROCKER ARM	4	(Exhaust)	
7	ER0018139224	BOLT	10	M6 X 1.0 X 70	



LX245511

KEY	PART NO.	PART NAME	QTY	REMARKS
1	ER5801958838	HEAT EXCHANGER	1	
2	ER5801669153	CHECK VALVE	1	
3	ER0504385412	CLIP	1	
4	ER5801596396	WATER TRAP	1	
5	ER0017281881	O-RING	3	
6	ER0018186570	CLIP	8	
7	ER5801385612	WATER TRAP	1	
8	ER0017289181	O-RING	1	
9	ER5801560222	HOSE FITTING	1	
10	ER0504341194	GASKET	3	
11	ER5801602826	BOLT	2	
12	ER0016598325	BOLT	3	M8 X 100
13	ER0017044725	NUT	2	M8 X 1.25
14	ER5801530821	HOSE	1	
15	ER0004798845	SCREW	3	LGTH = 103 mm
16	ER5801602848	BOLT	2	
17	ER0018137825	BOLT	2	M6 X 16



LX246141

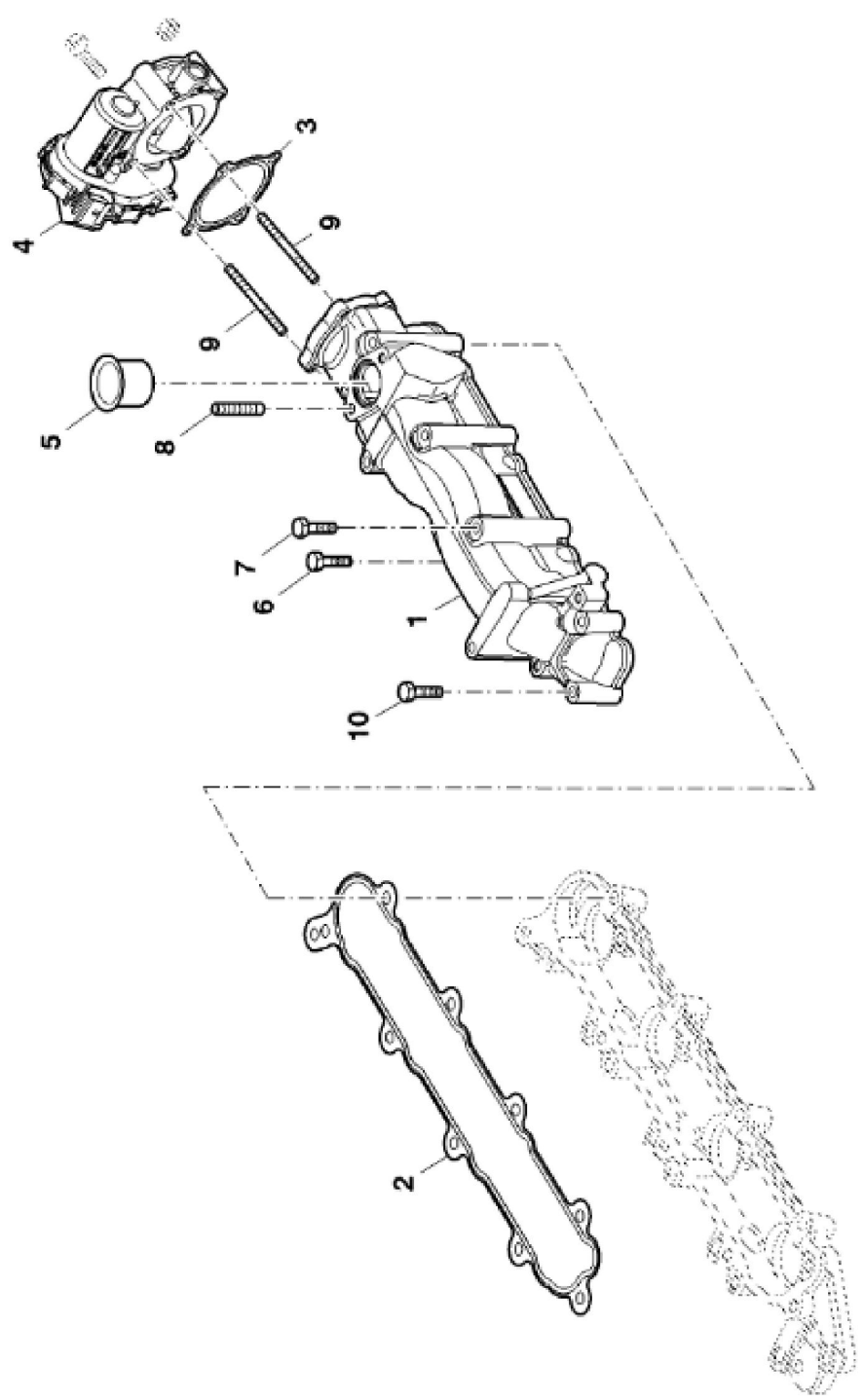
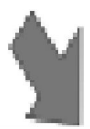
KEY	PART NO.	PART NAME	QTY	REMARKS	
1	ER0504388669	EXHAUST MANIFOLD	1		
2	ER0504170332	GASKET	1		
3	ER0504294819	NUT	8		
4	ER0016729434	STUD	2	M8 X 25	
5	ER0500322677	NUT	2		

**Thank you very much for
your reading. Please Click
Here. Then Get COMPLETE
MANUAL. NO WAITING**



NOTE:

**If there is no response to
click on the link above,
please download the PDF
document first and then
click on it.**



PY040450