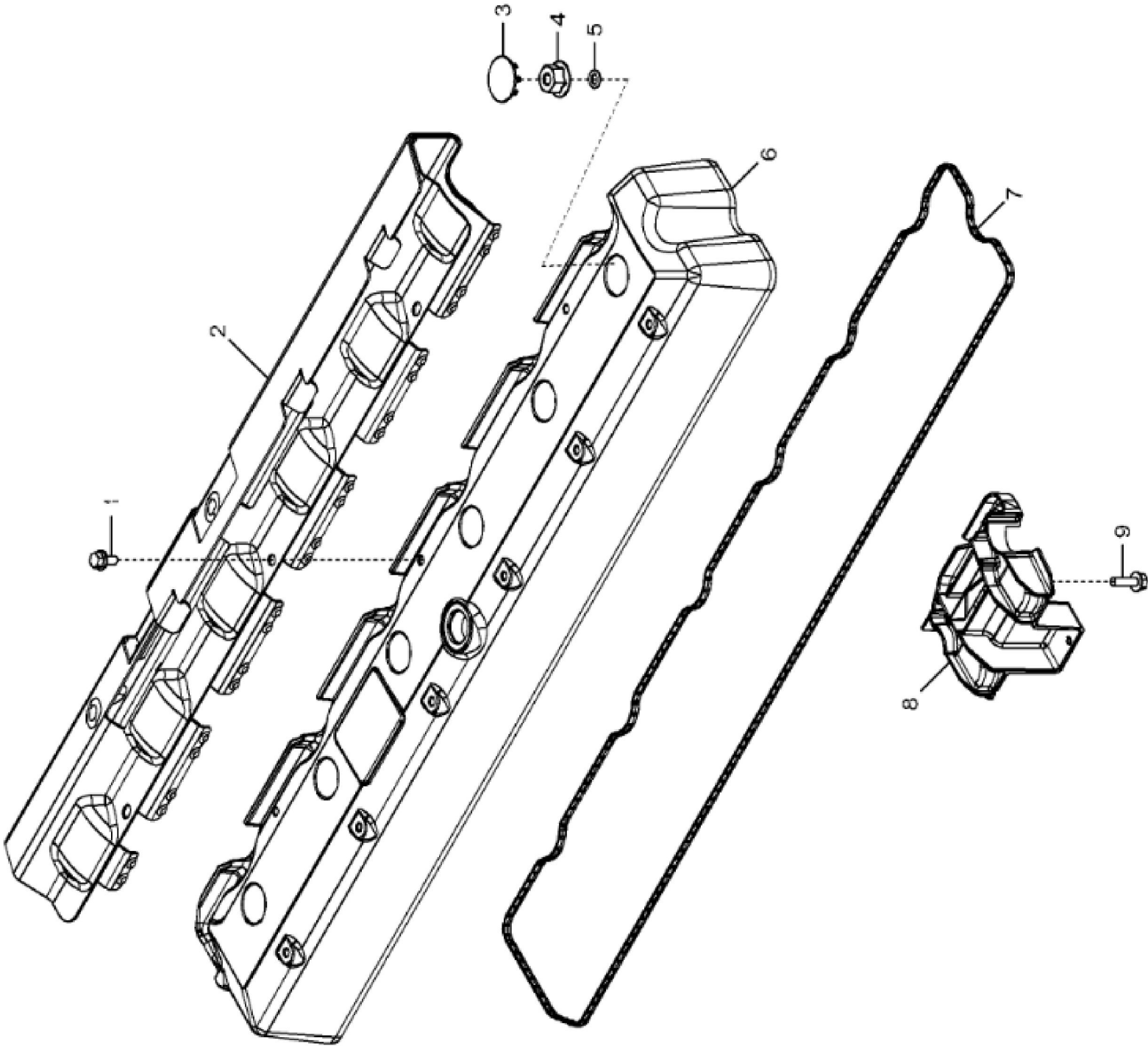
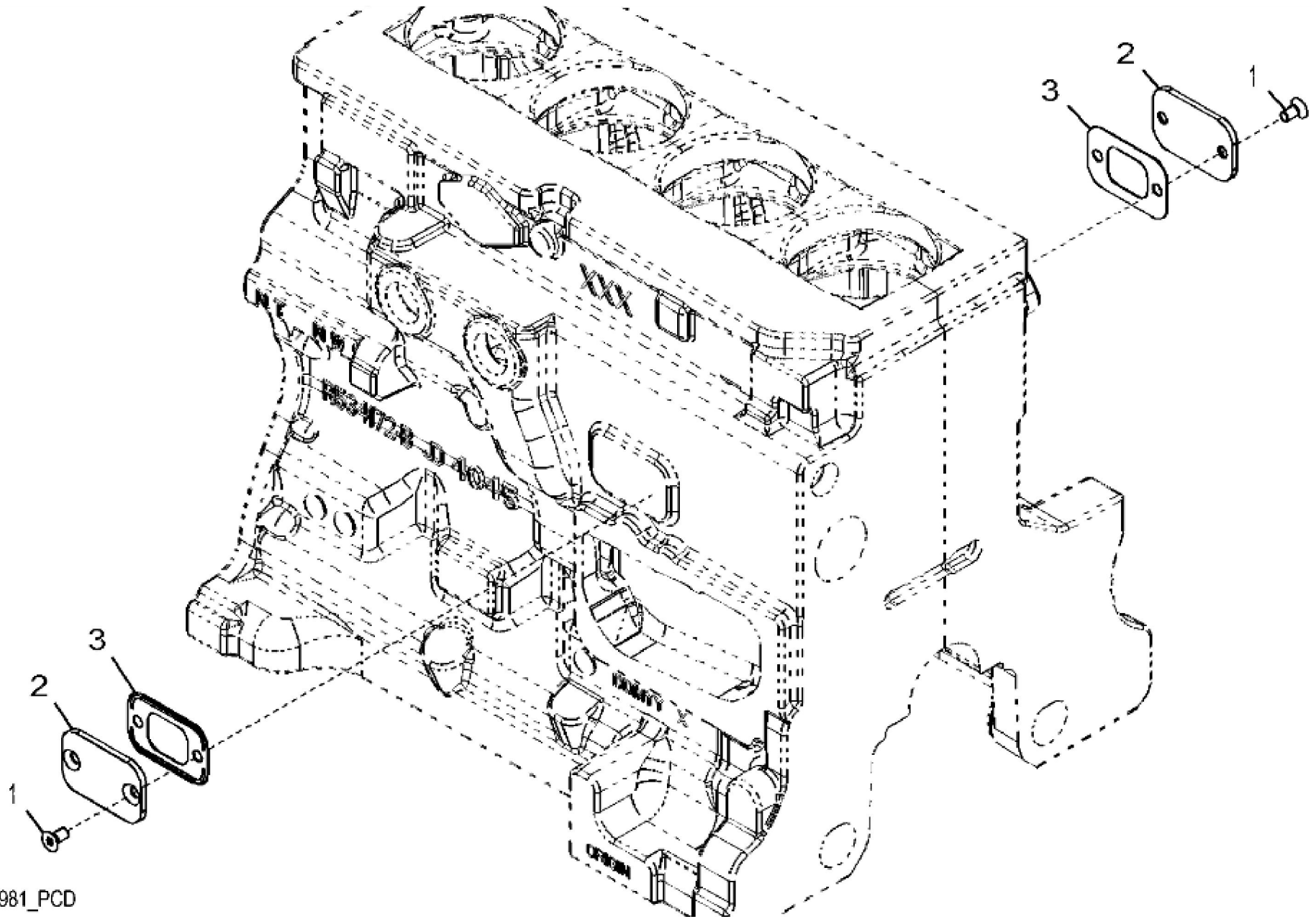


ROCKER ARM COVER



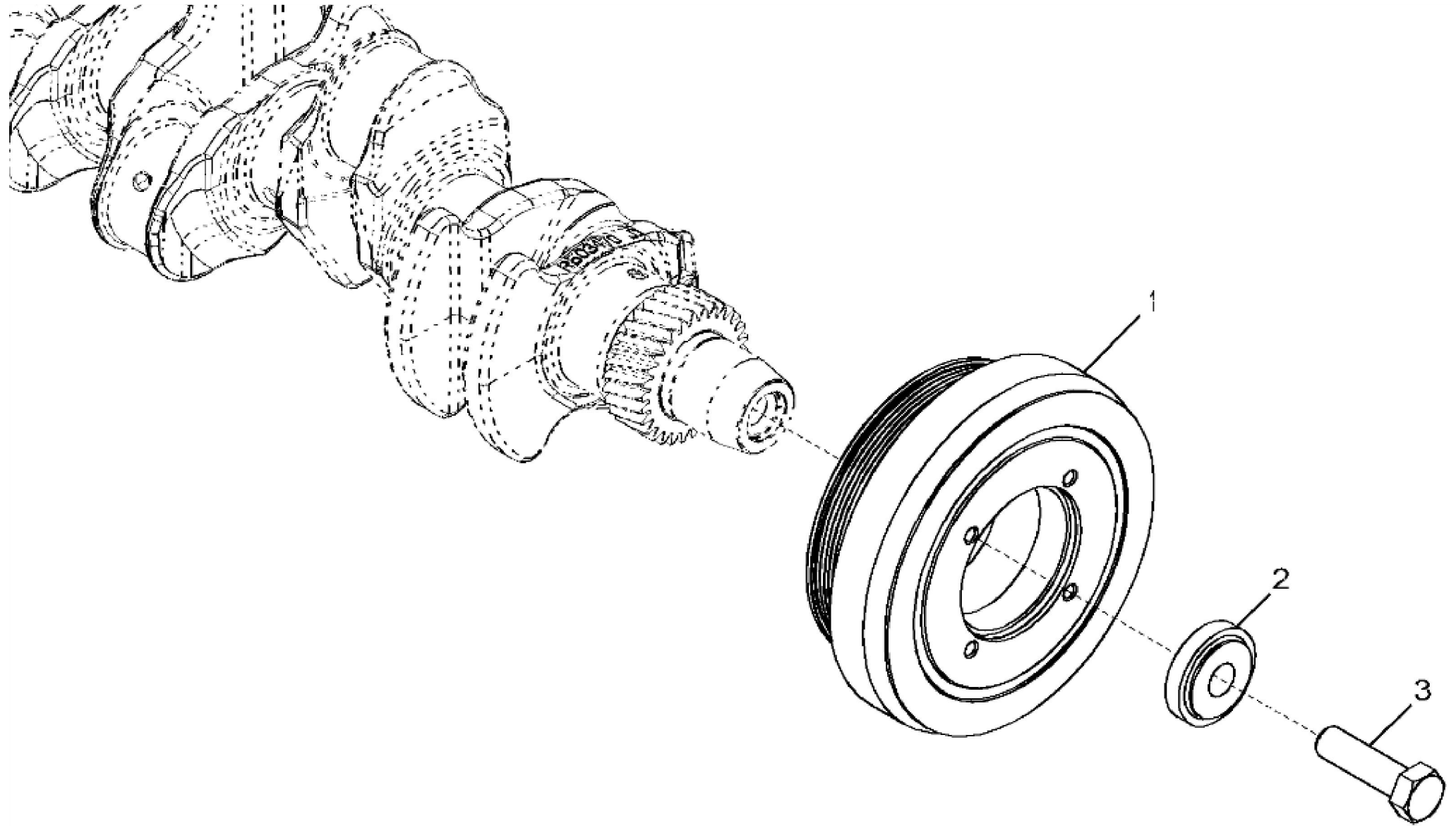
KEY	PART NO.	PART NAME	QTY	REMARKS
1	RE527858	SCREW	3	
2	R522410	HEAT SHIELD	1	
3	H23125	PLUG	6	
4	R123574	NUT	6	
5	R123575	O-RING	6	
6	R520731	VALVE COVER	1	
7	R523926	GASKET	1	ORDER R524469
7	R524469	GASKET	1	
8	RE528742	DEFLECTOR	1	
9	19M7862	SCREW	1	M6 X 20



1279\_ETN137981\_PCD

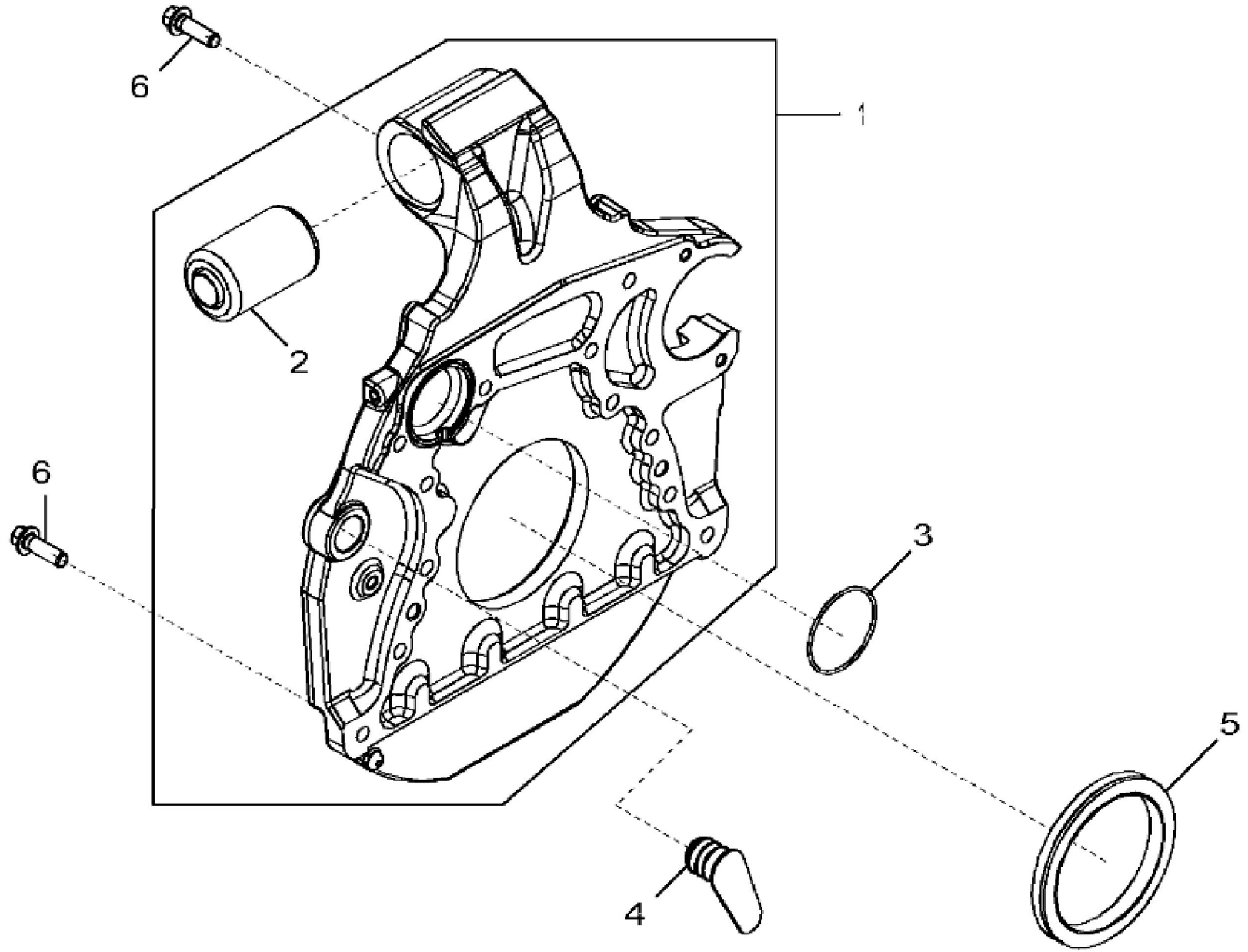
John Deere > Turf And Utility > TRACTOR > 6175M - TRACTOR > 6175M Tractor (Europe Edition, Engine SN: 6068GXXXXXX)(Tier 2)(S.N. 860524- ) > EN ENGINE 6068HL289-DZ105553-ETN150959 > EN00  
ENGINE 6068HL289-DZ105553-ETN150959 6068HL289 > ST829061 - 1279 OIL FILLER NECK COVER

KEY	PART NO.	PART NAME	QTY	REMARKS	
1	RE70306	SCREW	4		
2	R135262	COVER	2		
3	R136495	GASKET	2		



1341\_RE537577\_PCD

KEY	PART NO.	PART NAME	QTY	REMARKS	
1	DZ103168	PULLEY WITH DAMPENER	1	OD = 188 mm, SUB FOR RE537578	
2	R517237	BUSHING	1		
3	R516648	CAP SCREW	1	(One Time Usage)	

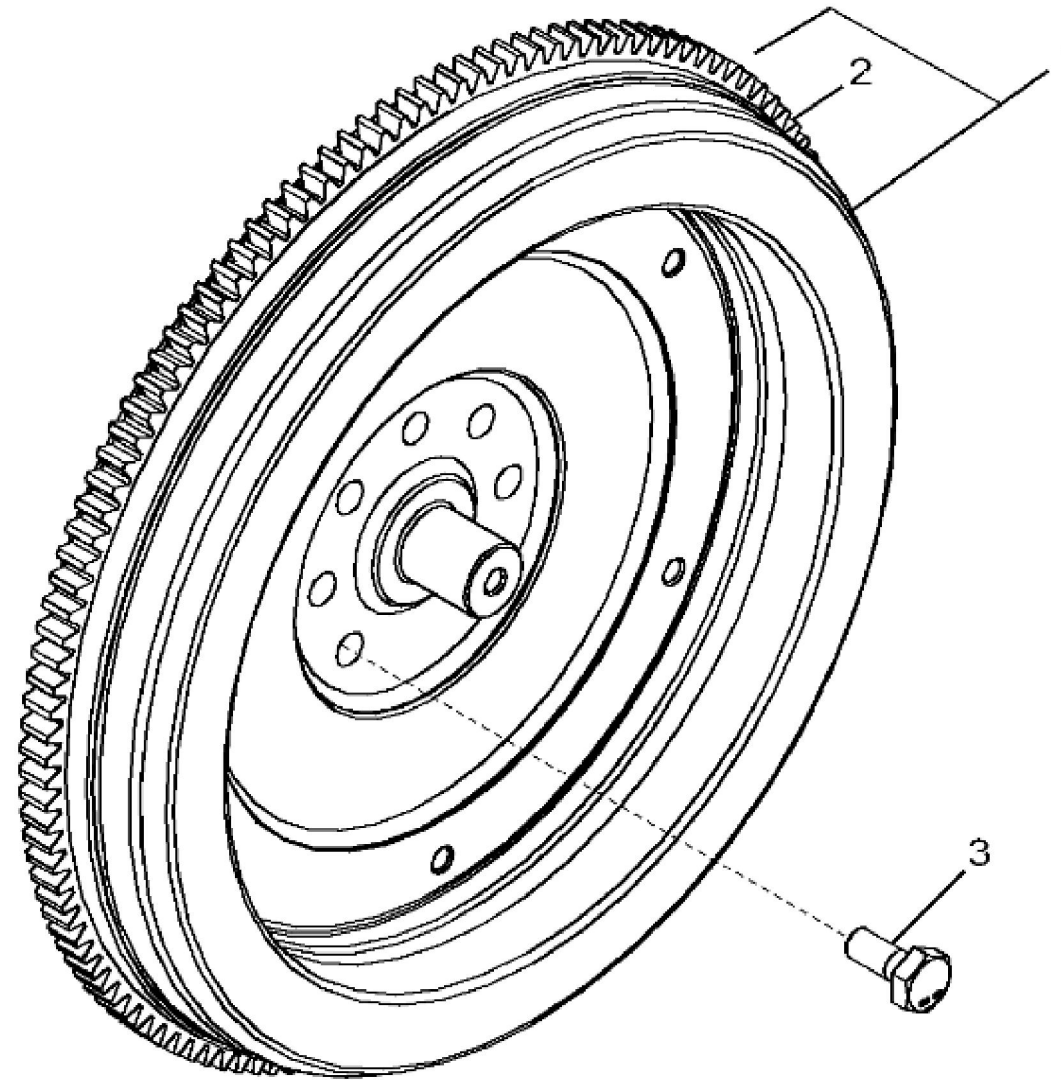


1448\_RE544975\_PCD

John Deere > Turf And Utility > TRACTOR > 6175M - TRACTOR > 6175M Tractor (Europe Edition, Engine SN: 6068GXXXXXX)(Tier 2)(S.N. 860524- ) > EN ENGINE 6068HL289-DZ105553-ETN150959 > EN00  
 ENGINE 6068HL289-DZ105553-ETN150959 6068HL289 > ST572875 - 1448 FLYWHEEL HOUSING

KEY	PART NO.	PART NAME	QTY	REMARKS
1	RE565739	HOUSING	1	MARKED R543631; SUB FOR RE556605 OR RE544942
2	.....	ISOLATOR	1	ORDER RE565739
3	R61467	O-RING	1	
4	R520982	PLUG	1	
5	RE524227	SEAL	1	SUB FOR APPL RE537070
6	R135918	BOLT	12	



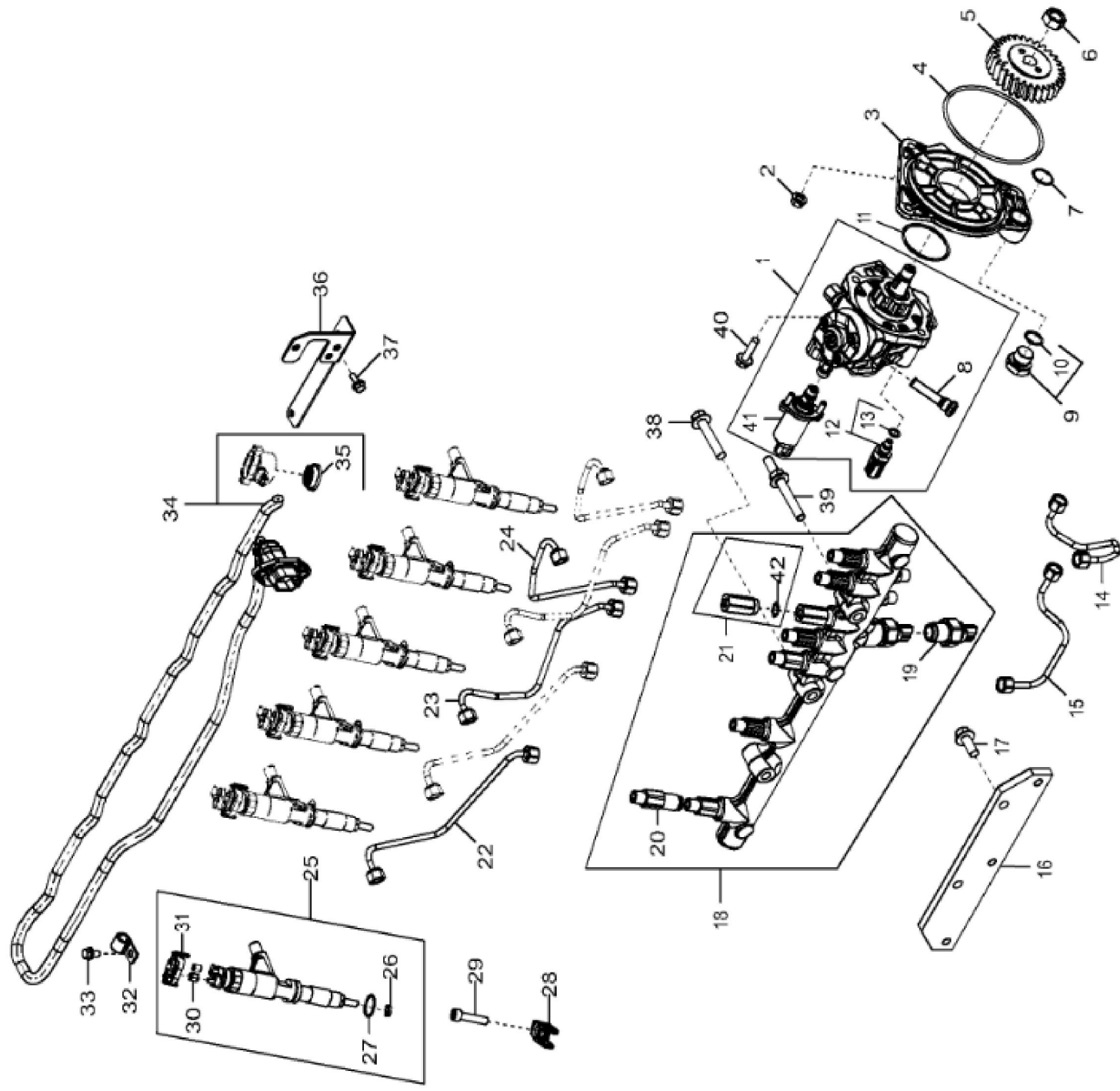


1593\_RE526325\_PCD

John Deere > Turf And Utility >TRACTOR >6175M - TRACTOR >6175M Tractor (Europe Edition, Engine SN: 6068GXXXXXX)(Tier 2)(S.N. 860524- ) >EN ENGINE 6068HL289-DZ105553-ETN150959 >EN00  
ENGINE 6068HL289-DZ105553-ETN150959 6068HL289 >ST275123 - 1593 FLYWHEEL

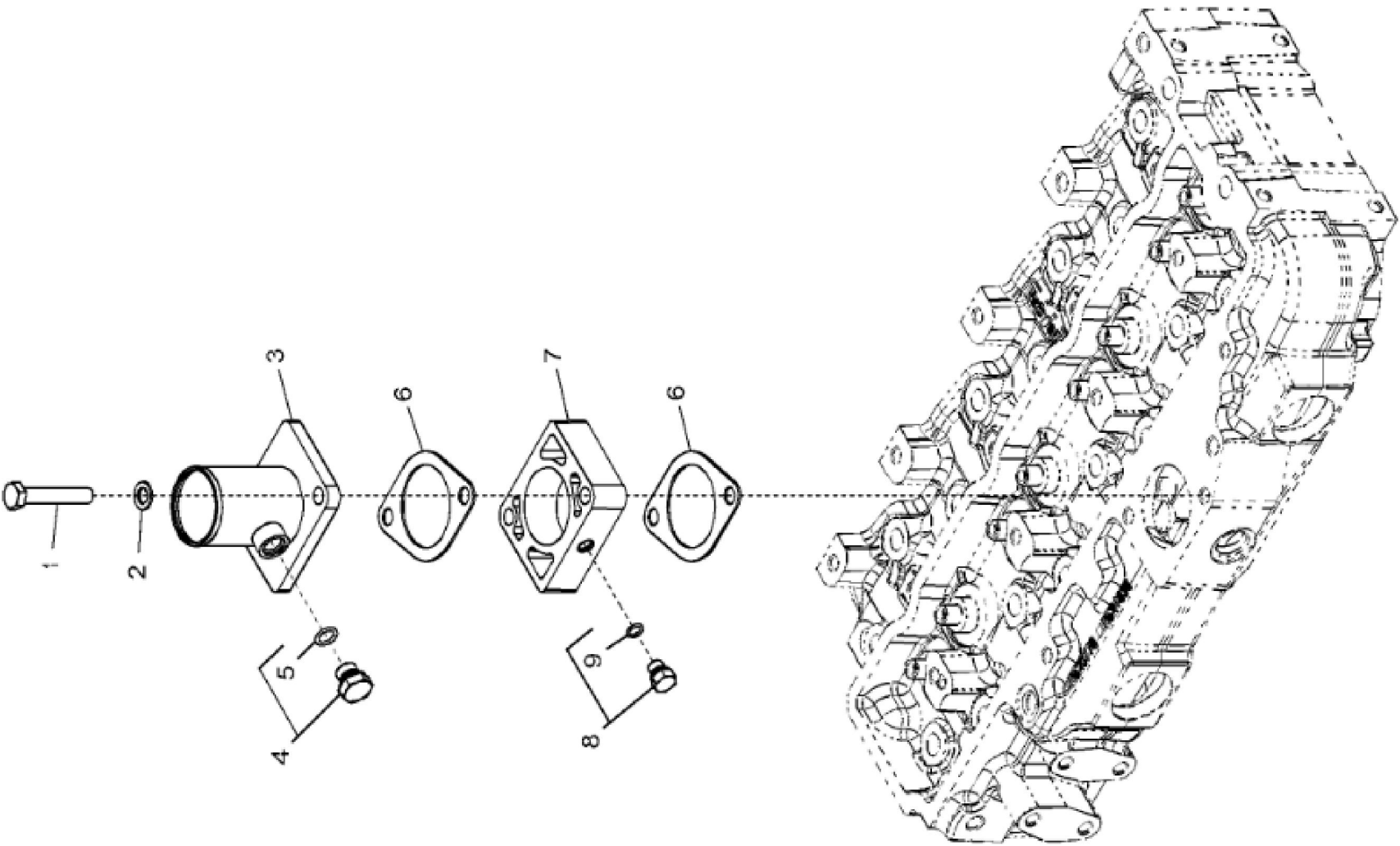
KEY	PART NO.	PART NAME	QTY	REMARKS	
1	RE526326	FLYWHEEL	1	MARKED R521313	
2	R28811	RING GEAR	1	Z = 129; ID = 385 mm	
3	R522205	CAP SCREW	6	(One Time Usage) M12 X 30	

FUEL INJECTION PUMP



KEY	PART NO.	PART NAME	QTY	REMARKS
1	RE527528	FUEL INJECTION PUMP	1	ORDER RE507959
1	RE507959	FUEL INJECTION PUMP	1	
1	SE501915	FUEL INJECTION PUMP REMAN	1	REMAN FOR RE507959
1	SE501916	FUEL INJECTION PUMP REMAN	1	REMAN FOR RE527528
2	14M7298	FLANGE NUT	3	M8
3	R504577	ADAPTER FITTING	1	MARKED R504577
4	R55453	O-RING	1	
5	R502541	GEAR	1	
6	R91360	NUT	1	
7	R116031	O-RING	1	
8	RE516999	SCREEN	1	
9	RE517370	FITTING	1	
10	51M7044	O-RING	1	17.300 X 2.200 mm
11	R516125	O-RING	1	
12	RE516336	FUEL TEMPERATURE SENSOR	1	
13	R524234	O-RING	1	
14	RE544262	FUEL LINE	1	
15	RE544263	FUEL LINE	1	
16	R504239	BRACKET	1	
17	19M7785	SCREW	2	M10 X 25
18	RE522596	RAIL	1	
19	RE520930	SENSOR	1	(Fuel Rail Pressure Sensor)
20	RE515636	RESTRICTOR	6	
21	RE516335	PRESSURE RELIEF VALVE	1	
22	RE526694	FUEL LINE	2	
23	RE526693	FUEL LINE	2	
24	RE526692	FUEL LINE	2	
25	DZ100212	NOZZLE KIT	6	1000 cc, KIT; INCLUDES R522899; SUB FOR RE546784
25	SE501925	INJECTION NOZZLE REMAN	1	REMAN FOR RE546784
25	DZ100212	NOZZLE KIT	1	
26	R523499	WASHER	6	
27	R516647	O-RING	6	
28	R520813	CLAMP	6	
29	RE528096	SCREW WITH WASHER	6	

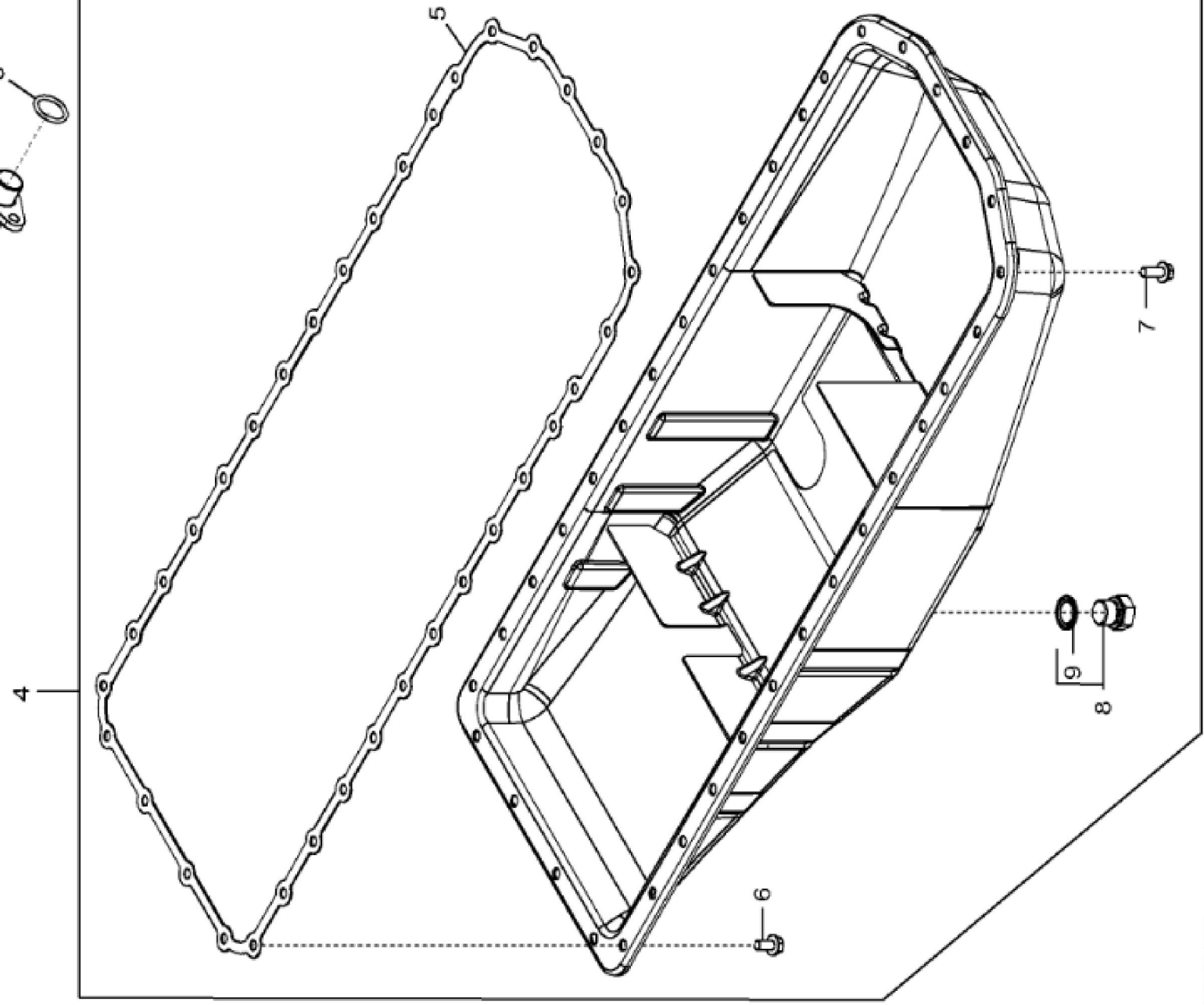
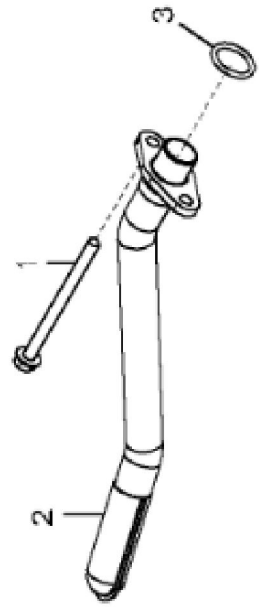
KEY	PART NO.	PART NAME	QTY	REMARKS
30	R134920	NUT	12	
31	RE528588	ELECTRICAL CONNECTOR CAP	6	
32	AH80916	CLIP	6	
33	RE527858	SCREW	7	
34	RE530106	WIRING HARNESS	1	
35	R522630	SEAL	1	
36	RE531219	BRACKET	1	
37	19M7775	SCREW	2	M6 X 16
38	19M8528	SCREW	1	M10 X 55
39	R529168	STUD	2	
40	19M7868	SCREW	2	M8 X 30
41	RE560091	CONTROL VALVE	1	USE WITH RE527528; SUB FOR RE534109
41	RE530337	CONTROL VALVE	1	USE WITH RE507959
42	R515454	SHIM	6	
43	R522899	SEALING WASHER	1	(Not Illustrated)



1783\_RE509839\_PCD

KEY	PART NO.	PART NAME	QTY	REMARKS
1	19M7935	CAP SCREW	2	M10 X 55
2	24M7096	WASHER	2	10.500 X 18 X 1.600 mm
3	RE508742	AIR INTAKE	1	
4	RE46684	FITTING PLUG	1	
5	51M7041	O-RING	1	11.300 X 2.200 mm
6	R81275	GASKET	2	SUB FOR APPL R133893
7	R501472	SPACER	1	
8	RE60071	FITTING	1	
9	51M7039	O-RING	1	8.100 X 1.600 mm

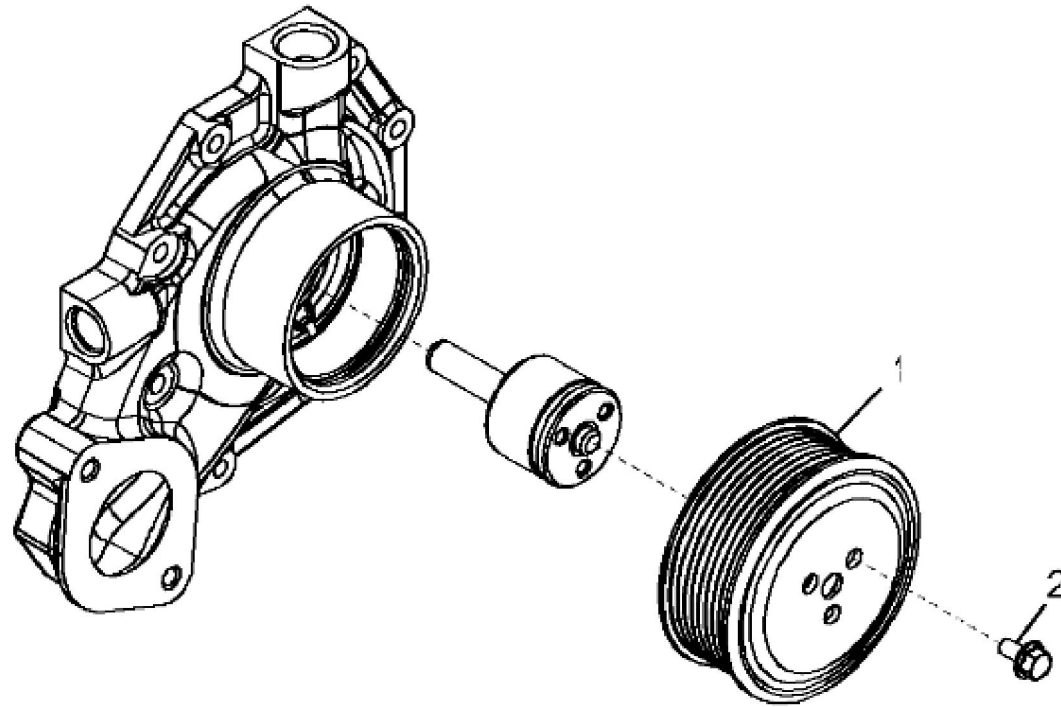
John Deere > Turf And Utility > TRACTOR >6175M - TRACTOR >6175M Tractor (Europe Edition, Engine SN: 6068GXXXXXX)(Tier 2)(S.N. 860524- ) >EN ENGINE 6068HL289-DZ105553-ETN150959 >EN00 ENGINE 6068HL289-DZ105553-ETN150959 6068HL289 >ST711844 - 19CH OIL PAN



19CH\_RE538880\_FCD



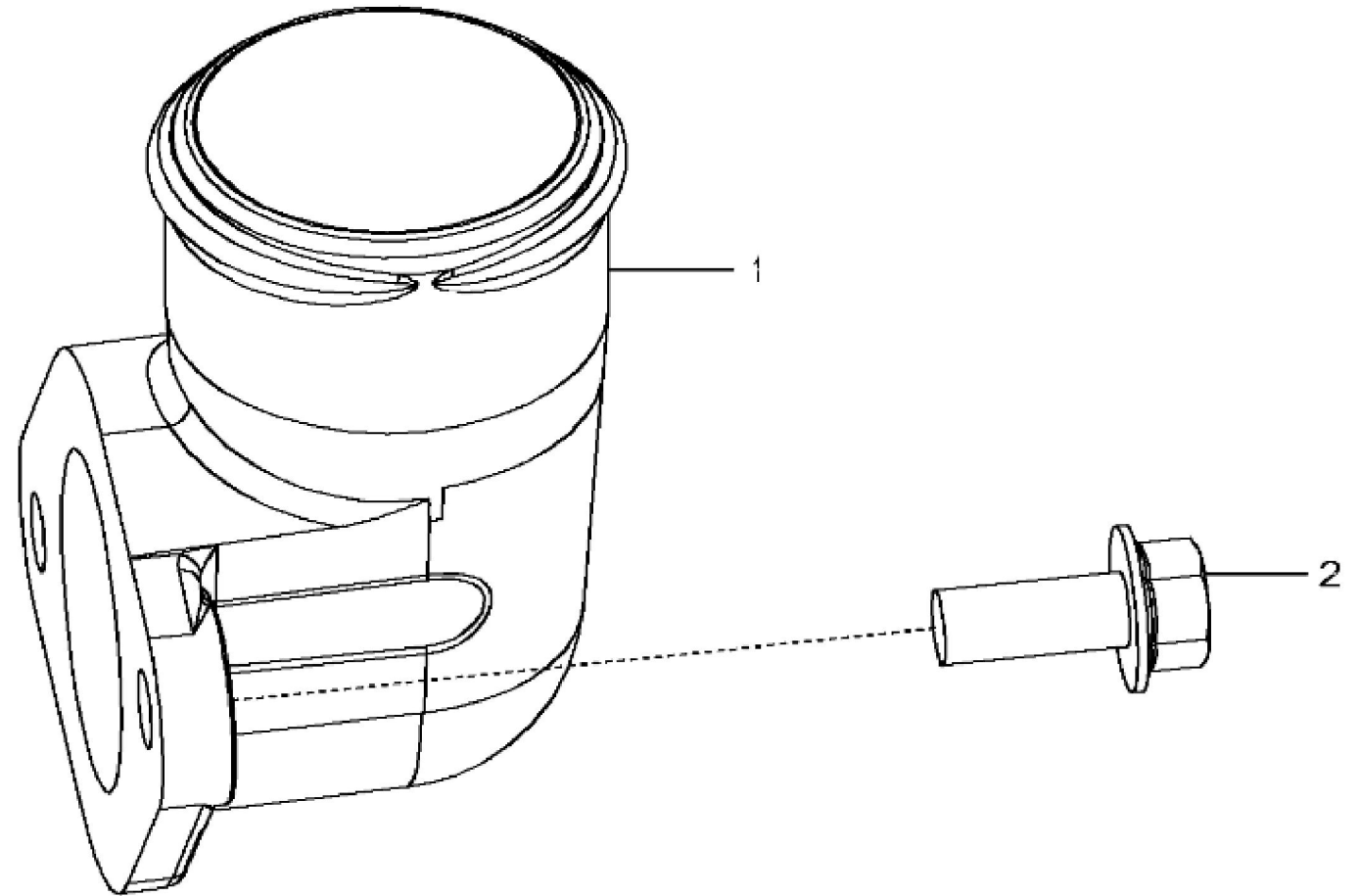
KEY	PART NO.	PART NAME	QTY	REMARKS	
1	19M10075	SCREW	2	M8 X 110	
2	RE71143	OIL PUMP INTAKE	1		
3	R61871	O-RING	1		
4	RE545881	OIL PAN	1	SUB FOR RE525238 OR RE528734	
5	R521498	GASKET	1		
6	19M8163	BOLT	30	M8 X 16	
7	19M8062	SCREW	6	M8 X 20	
8	RE523251	FITTING PLUG	1		
9	R519742	SEAL	1		



2001\_RE58175\_PCD

John Deere > Turf And Utility > TRACTOR > 6175M - TRACTOR > 6175M Tractor (Europe Edition, Engine SN: 6068GXXXXXX)(Tier 2)(S.N. 860524- ) > EN ENGINE 6068HL289-DZ105553-ETN150959 > EN00  
ENGINE 6068HL289-DZ105553-ETN150959 6068HL289 > ST35375 - 2001 WATER PUMP PULLEY

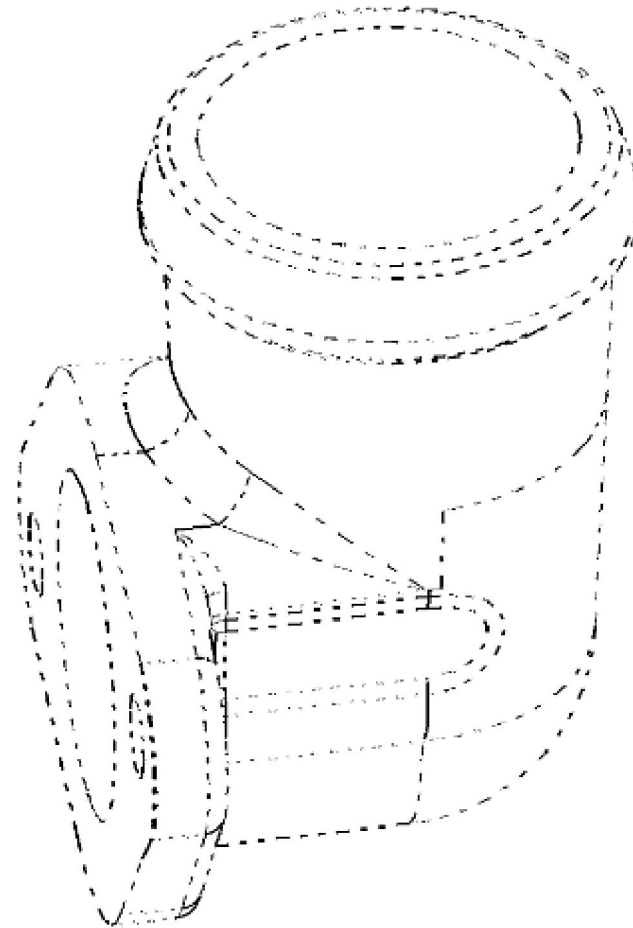
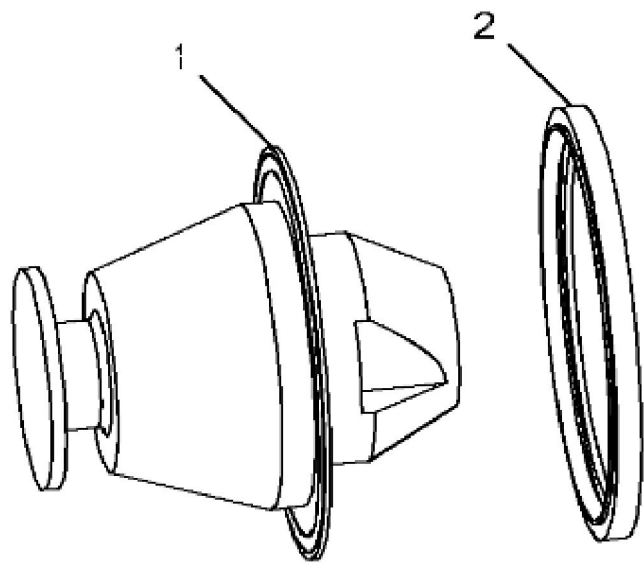
KEY	PART NO.	PART NAME	QTY	REMARKS	
1	R115250	PULLEY	1		
2	19M7774	SCREW	3	M6 X 12	



2160\_RE531434\_PCD

John Deere > Turf And Utility > TRACTOR > 6175M - TRACTOR > 6175M Tractor (Europe Edition, Engine SN: 6068GXXXXXX)(Tier 2)(S.N. 860524- ) > EN ENGINE 6068HL289-DZ105553-ETN150959 > EN00  
ENGINE 6068HL289-DZ105553-ETN150959 6068HL289 > ST711859 - 2160 THERMOSTAT COVER

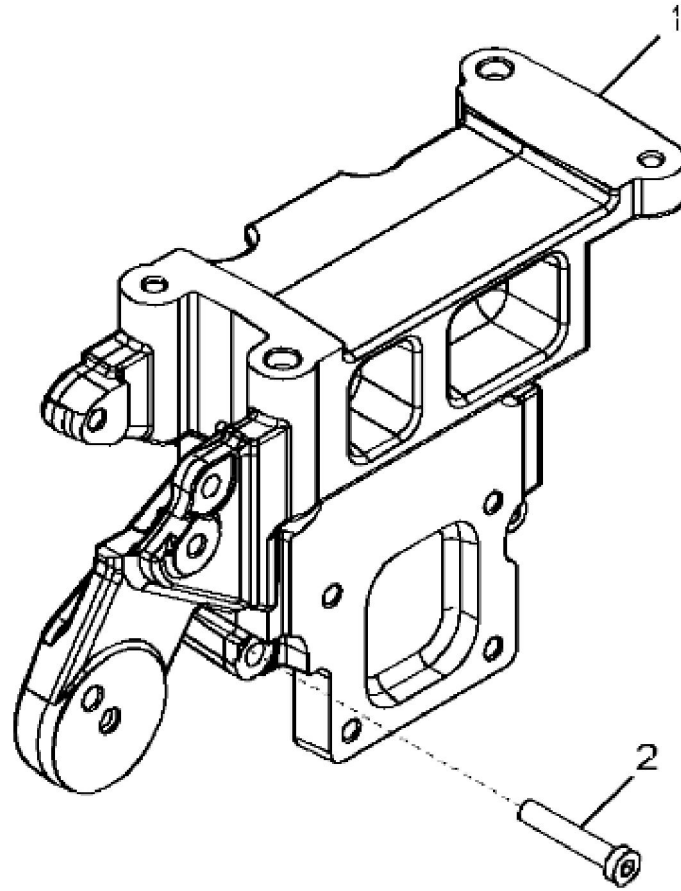
KEY	PART NO.	PART NAME	QTY	REMARKS	
1	R524712	HOUSING	1	ORDER R530428	
1	R530428	HOUSING	1		
2	19M7785	SCREW	2	M10 X 25	



2219\_RE531435\_PCD

John Deere > Turf And Utility > TRACTOR > 6175M - TRACTOR > 6175M Tractor (Europe Edition, Engine SN: 6068GXXXXXX)(Tier 2)(S.N. 860524- ) > EN ENGINE 6068HL289-DZ105553-ETN150959 > EN00  
ENGINE 6068HL289-DZ105553-ETN150959 6068HL289 > ST275241 - 2219 THERMOSTAT

KEY	PART NO.	PART NAME	QTY	REMARKS	
1	RE517011	THERMOSTAT	1		
1	RE532105	THERMOSTAT	1	(For China) INCLUDES R521548	
2	R521548	SEAL	1		



2329\_RE552111\_PCD



John Deere > Turf And Utility > TRACTOR > 6175M - TRACTOR > 6175M Tractor (Europe Edition, Engine SN: 6068GXXXXXX)(Tier 2)(S.N. 860524- ) > EN ENGINE 6068HL289-DZ105553-ETN150959 > EN00  
ENGINE 6068HL289-DZ105553-ETN150959 6068HL289 > ST750688 - 2329 FAN DRIVE HARDWARE

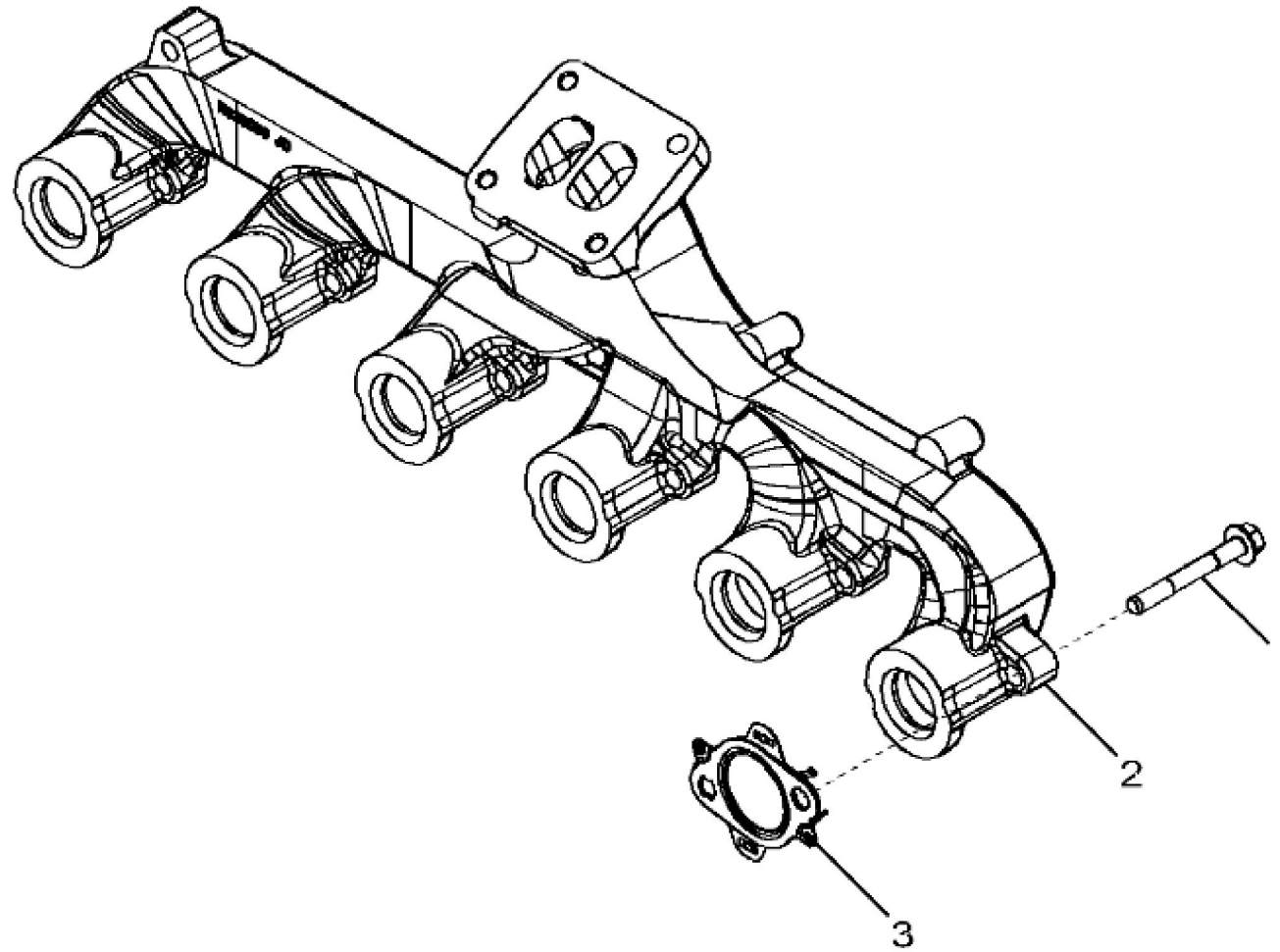
KEY	PART NO.	PART NAME	QTY	REMARKS	
1	R535349	BRACKET	1	MARKED R540049	
2	19M8339	SCREW	4	M10 X 55, SUB FOR 19M8412	

**Thank you very much for your reading. Please Click Here. Then Get COMPLETE MANUAL. NO WAITING**



**NOTE:**

**If there is no response to click on the link above, please download the PDF document first and then click on it.**



28AA\_RE531441\_PCD

John Deere > Turf And Utility > TRACTOR > 6175M - TRACTOR > 6175M Tractor (Europe Edition, Engine SN: 6068GXXXXXX)(Tier 2)(S.N. 860524- ) > EN ENGINE 6068HL289-DZ105553-ETN150959 > EN00  
ENGINE 6068HL289-DZ105553-ETN150959 6068HL289 > ST711864 - 28AA EXHAUST MANIFOLD

KEY	PART NO.	PART NAME	QTY	REMARKS	
1	R522554	CAP SCREW	12		
2	R535059	EXHAUST MANIFOLD	1	MARKED R535826	
3	R532937	GASKET	6	ORDER R544294; SUB FOR APPL R519488	
3	R544294	GASKET	6		