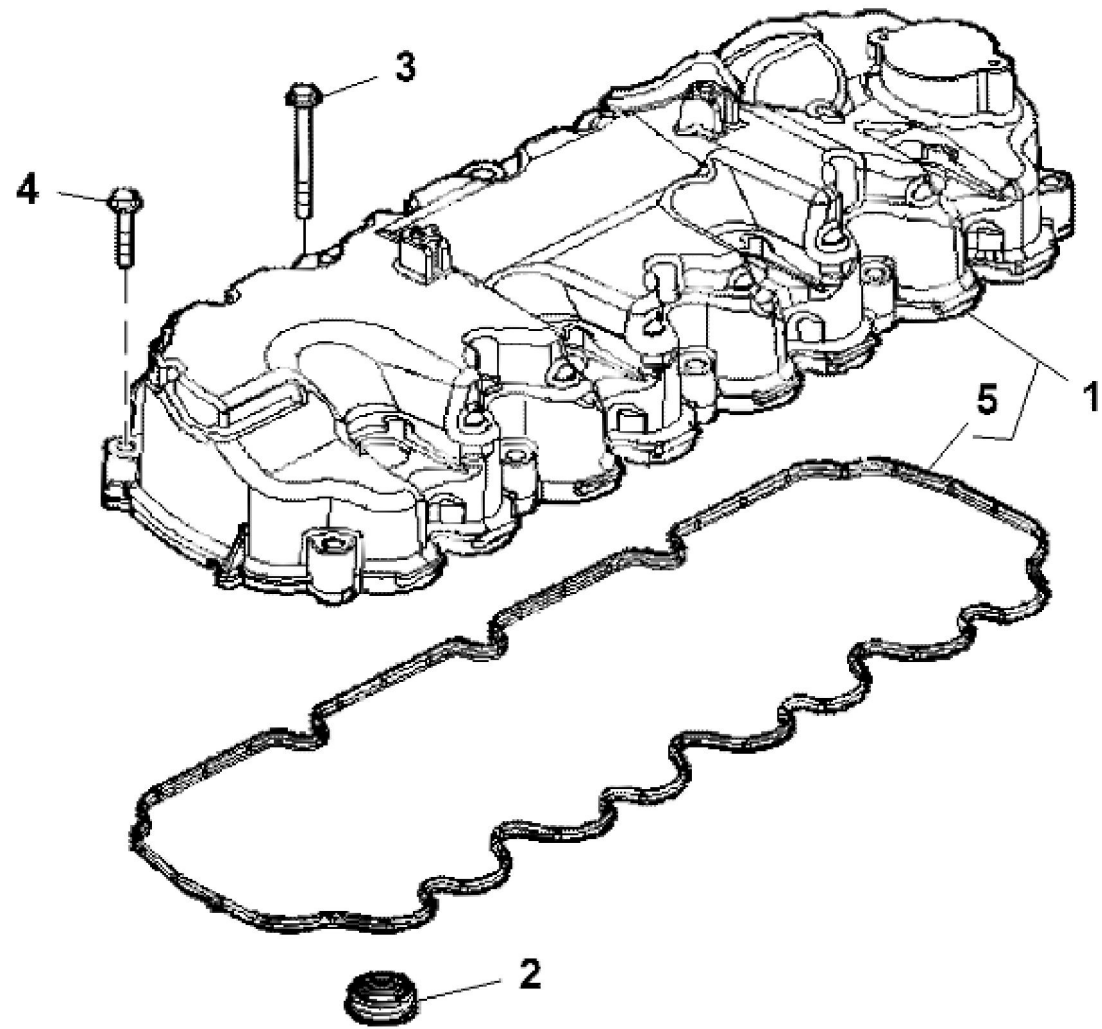


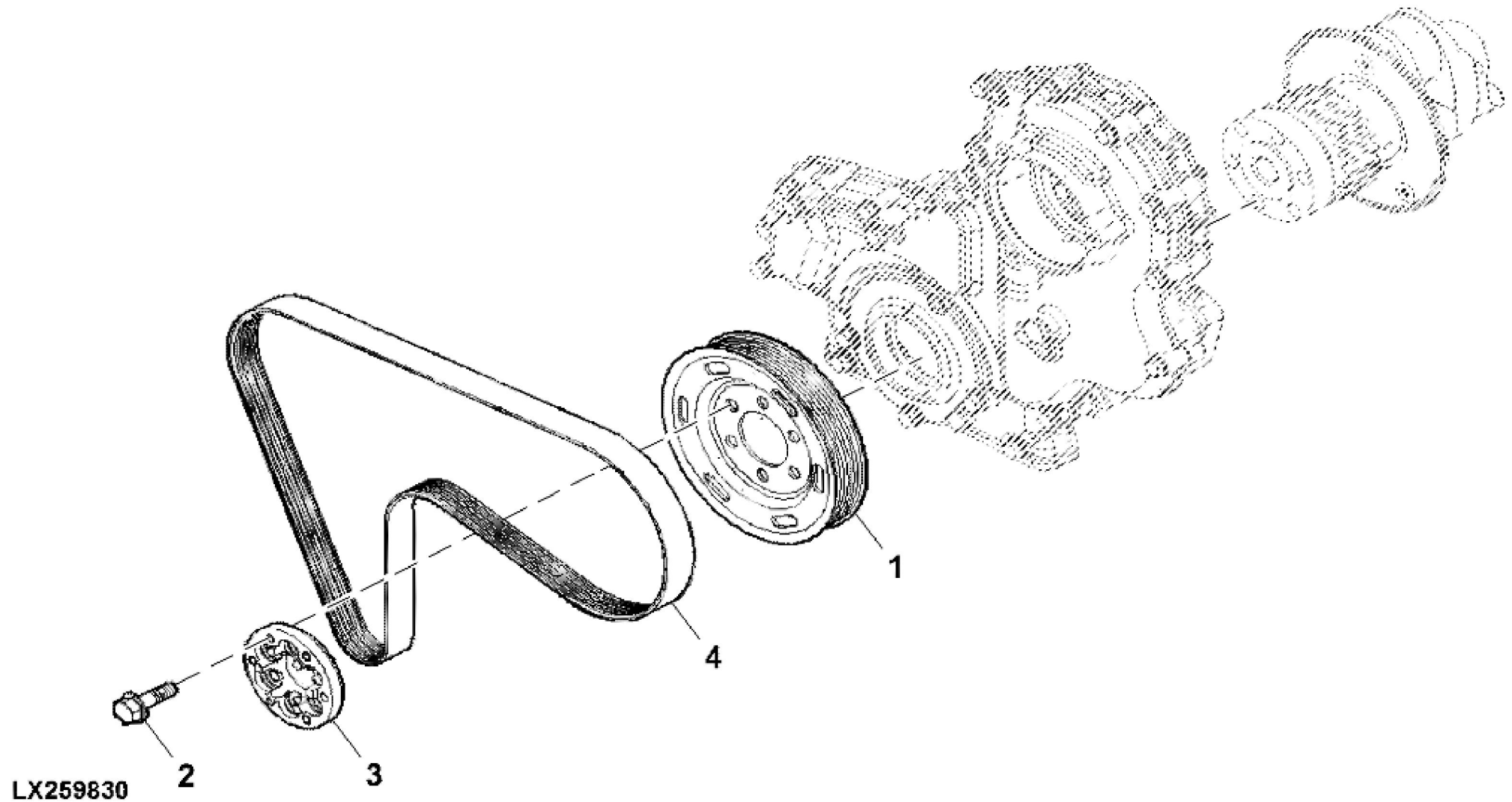
LX259820

KEY	PART NO.	PART NAME	QTY	REMARKS	
1	ER5801701355	COVER	1		
2	ER5801752064	GASKET	1		
3	ER0016592225	SCREW	4		
4	ER0016673835	SCREW	5		

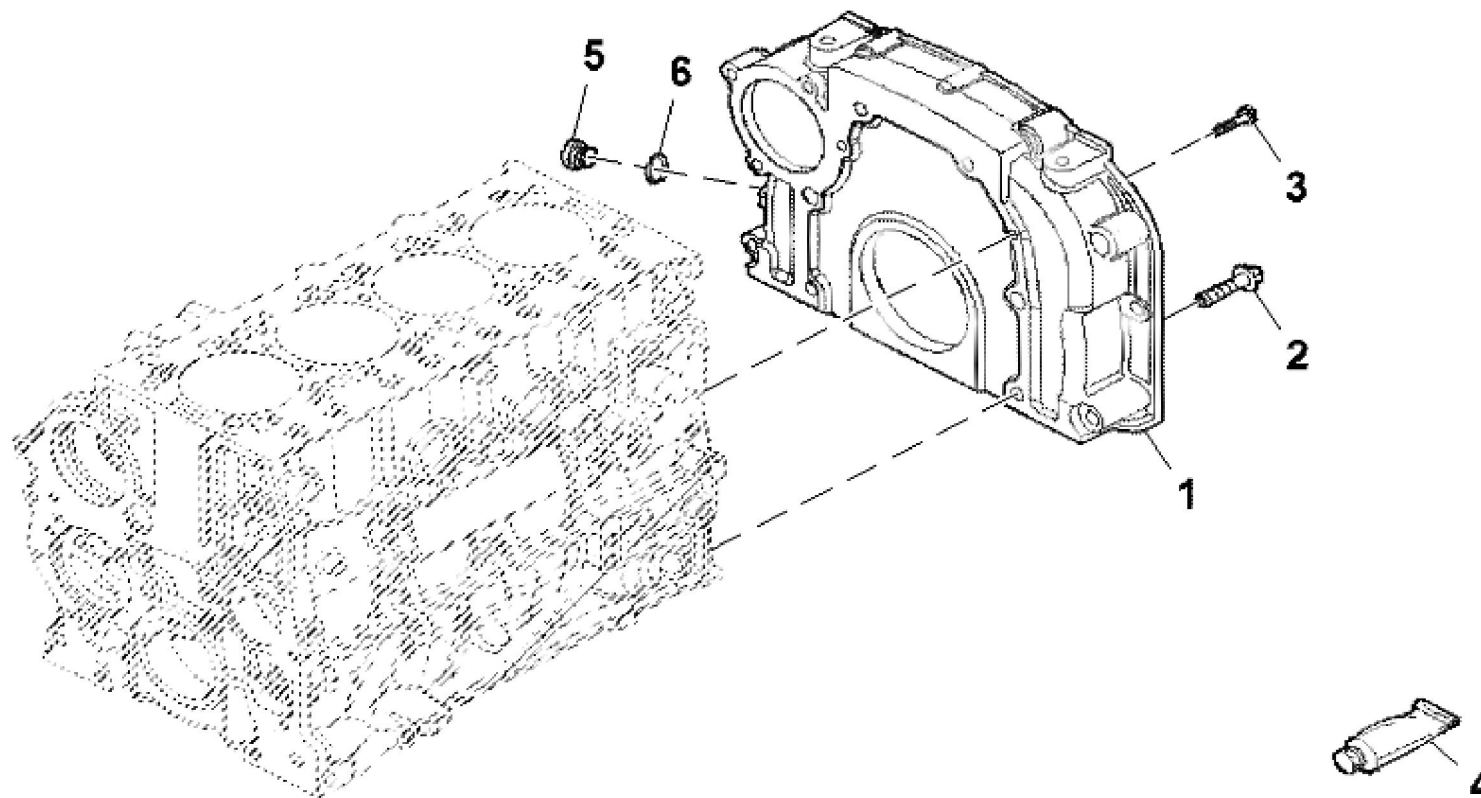


LX259821

KEY	PART NO.	PART NAME	QTY	REMARKS	
1	ER5801764433	COVER	1		
2	ER5801714865	SEALING RING	4		
3	ER0016598325	BOLT	3		
4	ER0016591725	BOLT	7		
5	ER5801714864	ENGINE CYLINDER HEAD GASKET	1		

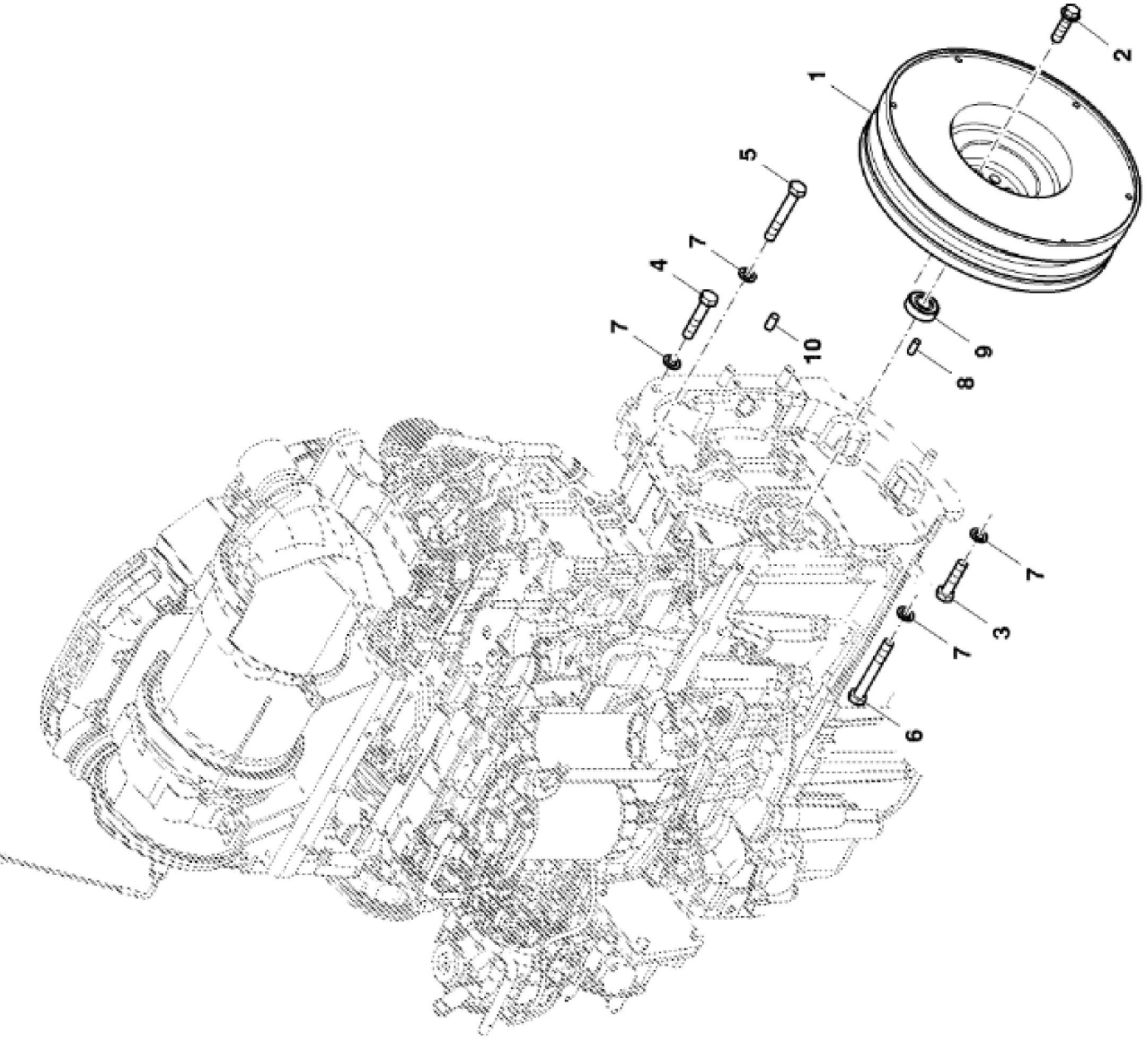


KEY	PART NO.	PART NAME	QTY	REMARKS	
1	ER5801363585	PULLEY	1		
2	ER0016675835	BOLT	6		
3	ER5801380424	SPACER	1		
4	ER5801440074	V-BELT	1		



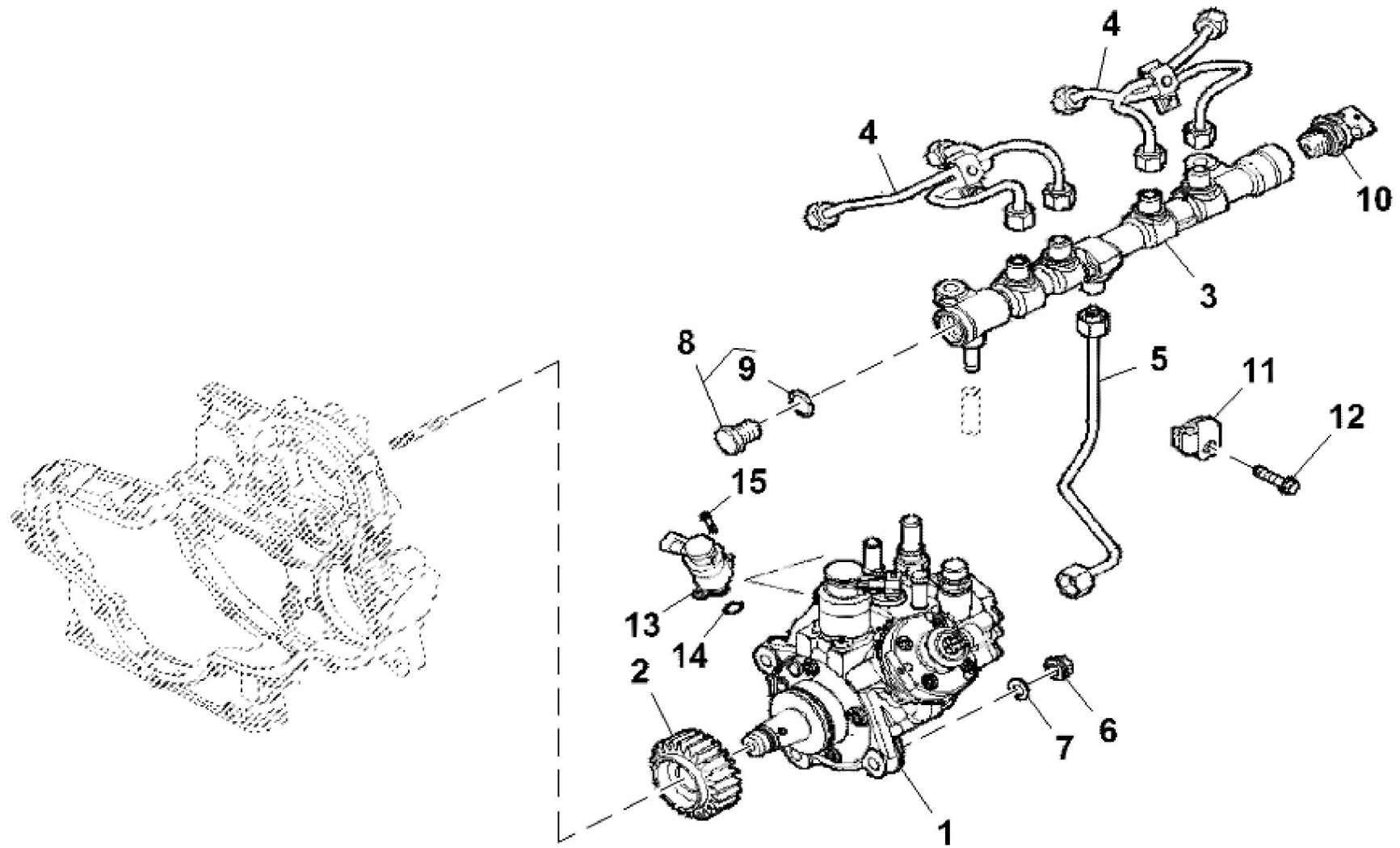
LX259816

KEY	PART NO.	PART NAME	QTY	REMARKS	
1	ER0504180348	HOUSING	1		
2	ER0016678034	BOLT	6		
3	ER0016673735	BOLT	2		
4	ER0002995644	ADHESIVE	1		
5	ER0004895378	PLUG	1		
6	ER0017288480	O-RING	1		



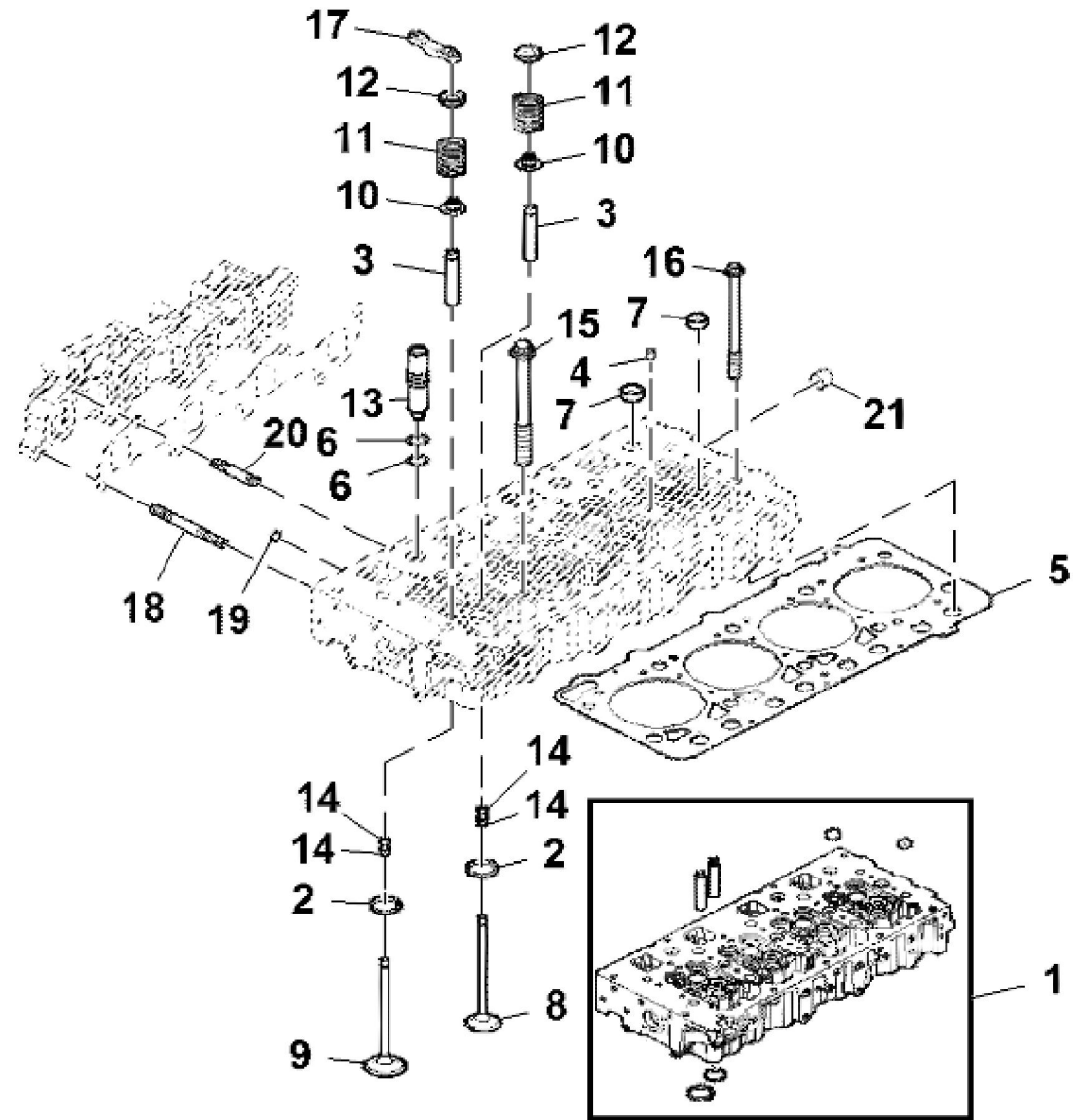
LX245582

KEY	PART NO.	PART NAME	QTY	REMARKS	
1	ER372511	FLYWHEEL	1	(PowrReverser™) 11"	
1	ER436582	FLYWHEEL	1	(Mechanical Transmission) 12"	
2	ER393149	SELF-LOCKING SCREW	8	M12 X 42.5	
3	ER021143	SCREW	6	M12 X 50	
4	ER021148	SCREW	2	M12 X 60	
5	ER021155	SCREW	2	M12 X 80	
6	ER021157	BOLT	2	M12 X 90	
7	ER022861	WASHER	12		
8	ER024502	PIN	1		
9	ER026017	BEARING	1	(Mechanical Transmission)	
10	ER202960	DOWEL PIN	2		



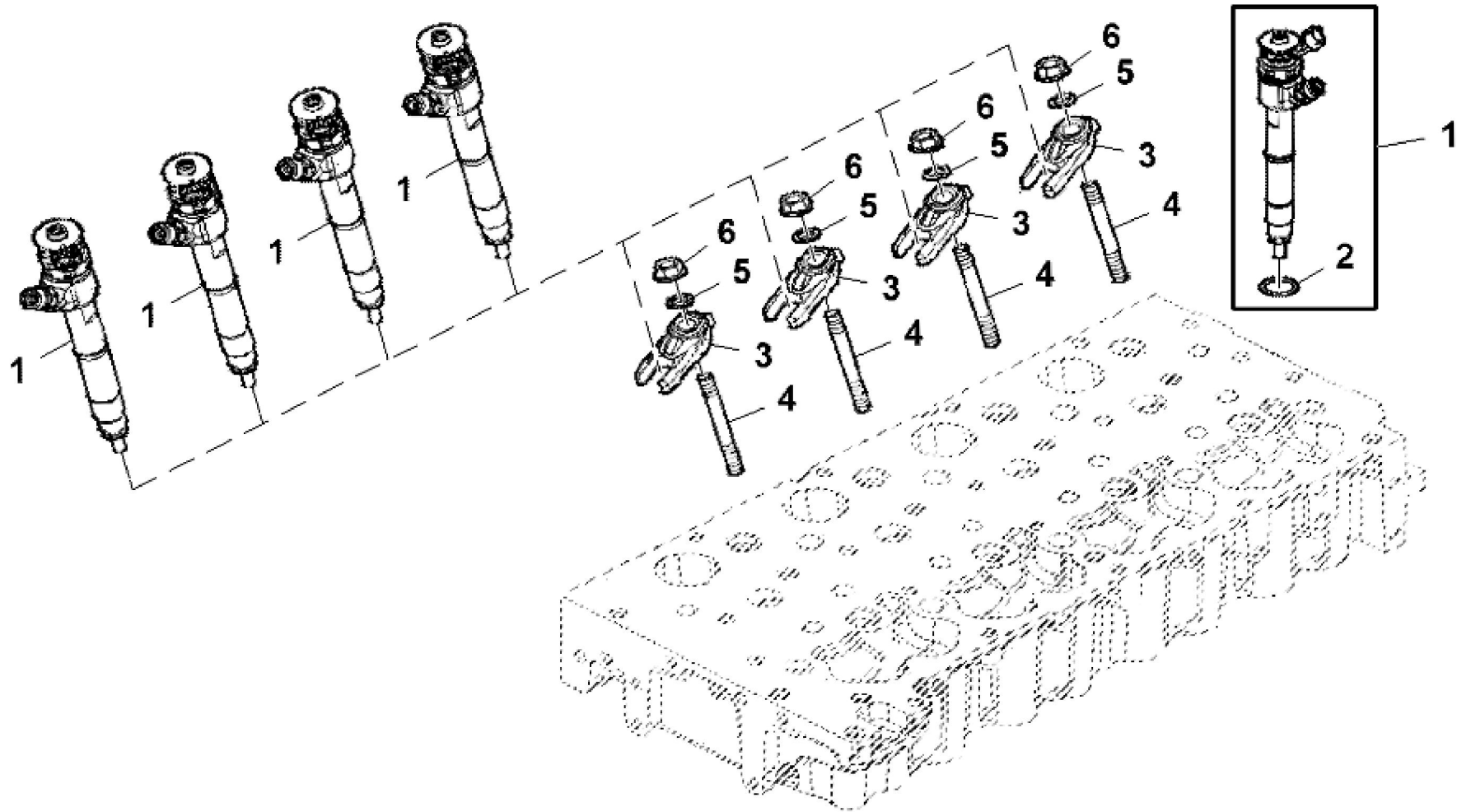
LX259833

KEY	PART NO.	PART NAME	QTY	REMARKS	
1	ER5801470100	FUEL INJECTION PUMP	1		
2	ER0504387506	GEAR	1		
3	ER5801790327	HYDRAULIC CYLINDER	1		
4	ER5801714290	FUEL LINE	2		
5	ER5801726553	FUEL LINE	1		
6	ER0017044735	NUT	3		
7	ER0017094904	WASHER	3		
8	ER5801593459	VALVE	1		
9	ER0042553494	O-RING	1		
10	ER0504382373	SENSOR	1		
11	ER5801555842	BRACKET	1		
12	ER0016597925	SCREW	1	M8 X 14 mm	
13	ER0042574911	VALVE	1	SUB FOR ER0042567116	
14	ER0042567117	O-RING	1		
15	ER0042567118	SCREW	2		



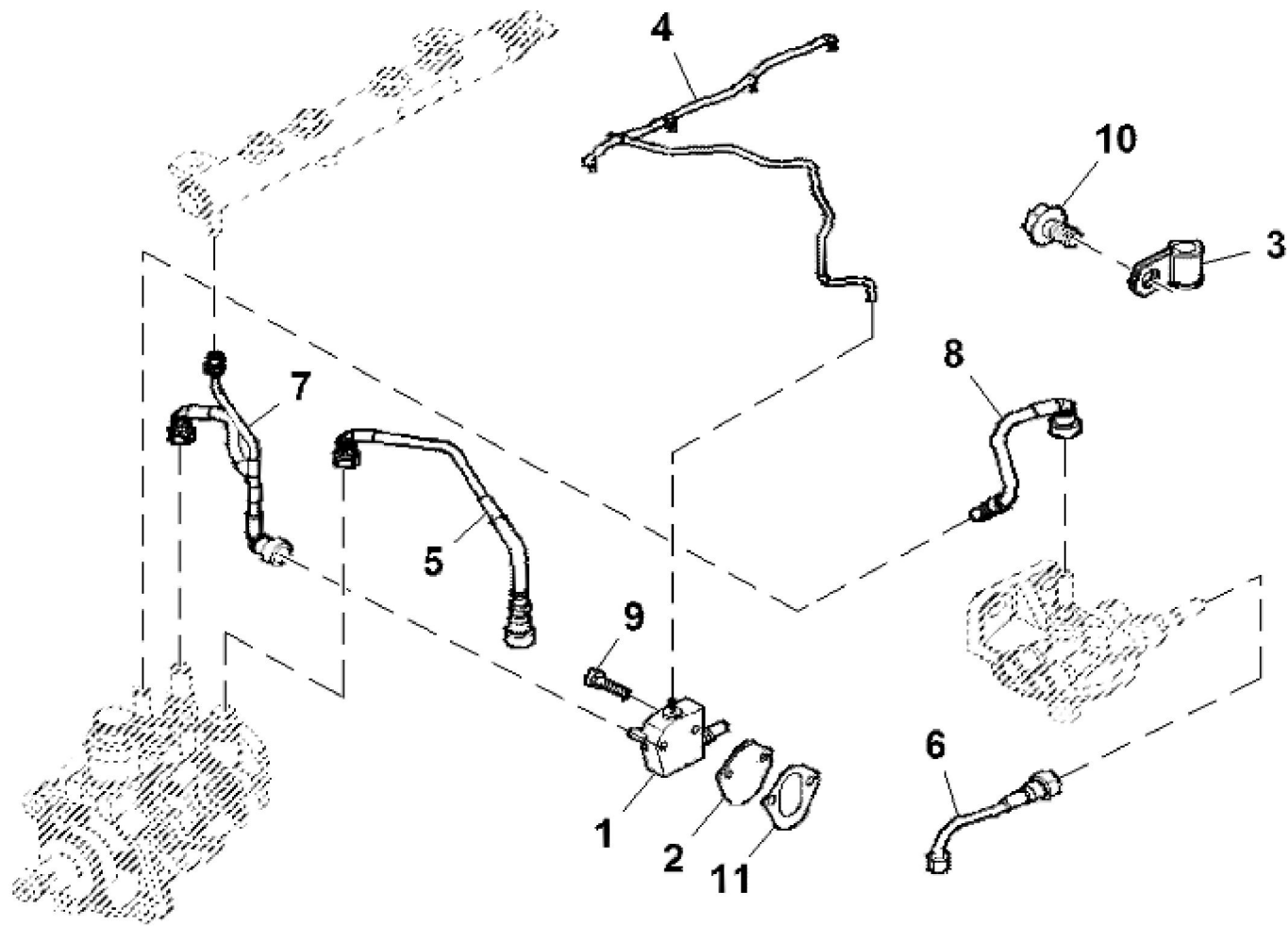
LX259819

KEY	PART NO.	PART NAME	QTY	REMARKS
1	ER5801823163	CYLINDER HEAD	1	
2	ER0504075442	VALVE SEAT	16	
3	ER0504053804	GUIDE	16	
3	ER0504053805	GUIDE	16	DIA = + 0.1 mm
3	ER0504053806	GUIDE	16	DIA = + 0.25 mm
4	ER0099435557	DOWEL PIN	3	
5	ER5801753236	GASKET	1	
5	ER5801753235	GASKET	1	
6	ER0017278781	O-RING	8	
7	ER0016988301	PLUG	12	
8	ER0504072531	INTAKE VALVE	8	
9	ER0504081062	EXHAUST VALVE	8	
10	ER5801700319	SEAL	16	
11	ER5801696188	SPRING	16	
12	ER5801700312	CAP	16	
13	ER5801742343	NOZZLE	6	
14	ER0014194670	RETAINER	32	
15	ER0504081533	BOLT	4	M12 X 1.5 X 165 mm
16	ER0504081521	BOLT	6	M15 X 1.5 X 193 mm
17	ER5801712619	VALVE	8	
18	ER5801744018	STUD	1	
19	ER0014282170	PLUG	3	
20	ER5801475385	STUD	8	
21	ER0016990970	PLUG	1	



LX259834

KEY	PART NO.	PART NAME	QTY	REMARKS	
1	ER5801790338	ELECT UNIT INJECTOR REMAN	4		
2	ER0004899689	WASHER	4		
3	ER5801718290	RETAINER	4		
4	ER0016730534	STUD	4		
5	ER0500353601	WASHER	4		
6	ER0017044735	NUT	4		



LX263319

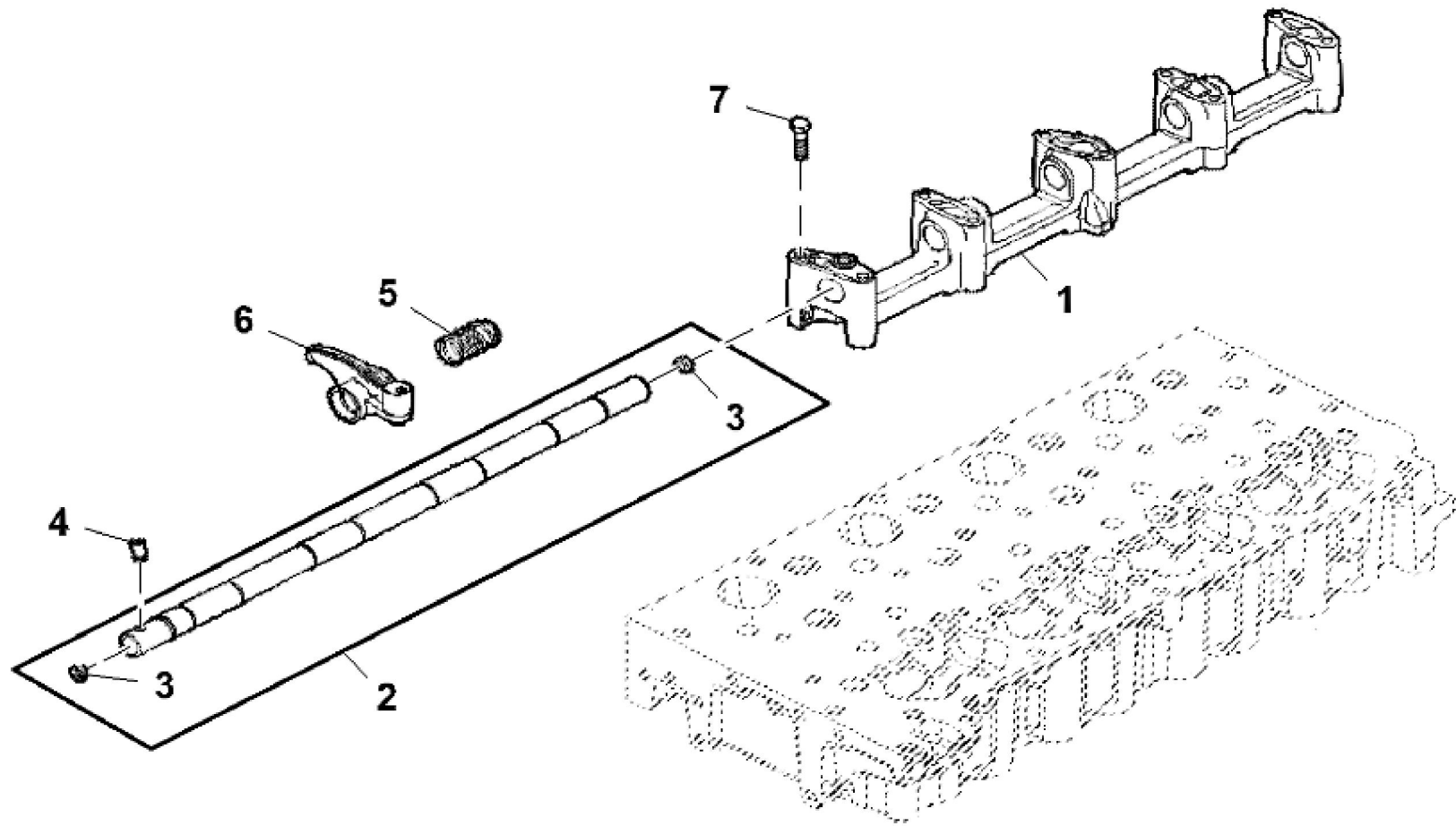
KEY	PART NO.	PART NAME	QTY	REMARKS	
1	ER5801698739	VALVE	1		
2	ER0504332869	COVER	1		
3	ER0017316499	CLIP	3		
4	ER5801734215	FUEL LINE	1		
5	ER5801496365	FUEL LINE	1		
6	ER0504385537	FUEL LINE	1		
7	ER0504388781	FUEL LINE	1		
8	ER0504385539	FUEL LINE	1		
9	ER0016586725	BOLT	2	M8X 1.25 X 40 mm	
10	ER0016597925	BOLT	3	M8 X 14 mm	
11	ER0504332889	GASKET	1		

Thank you very much for your reading. Please Click Here. Then Get COMPLETE MANUAL. NO WAITING



NOTE:

If there is no response to click on the link above, please download the PDF document first and then click on it.



LX259822