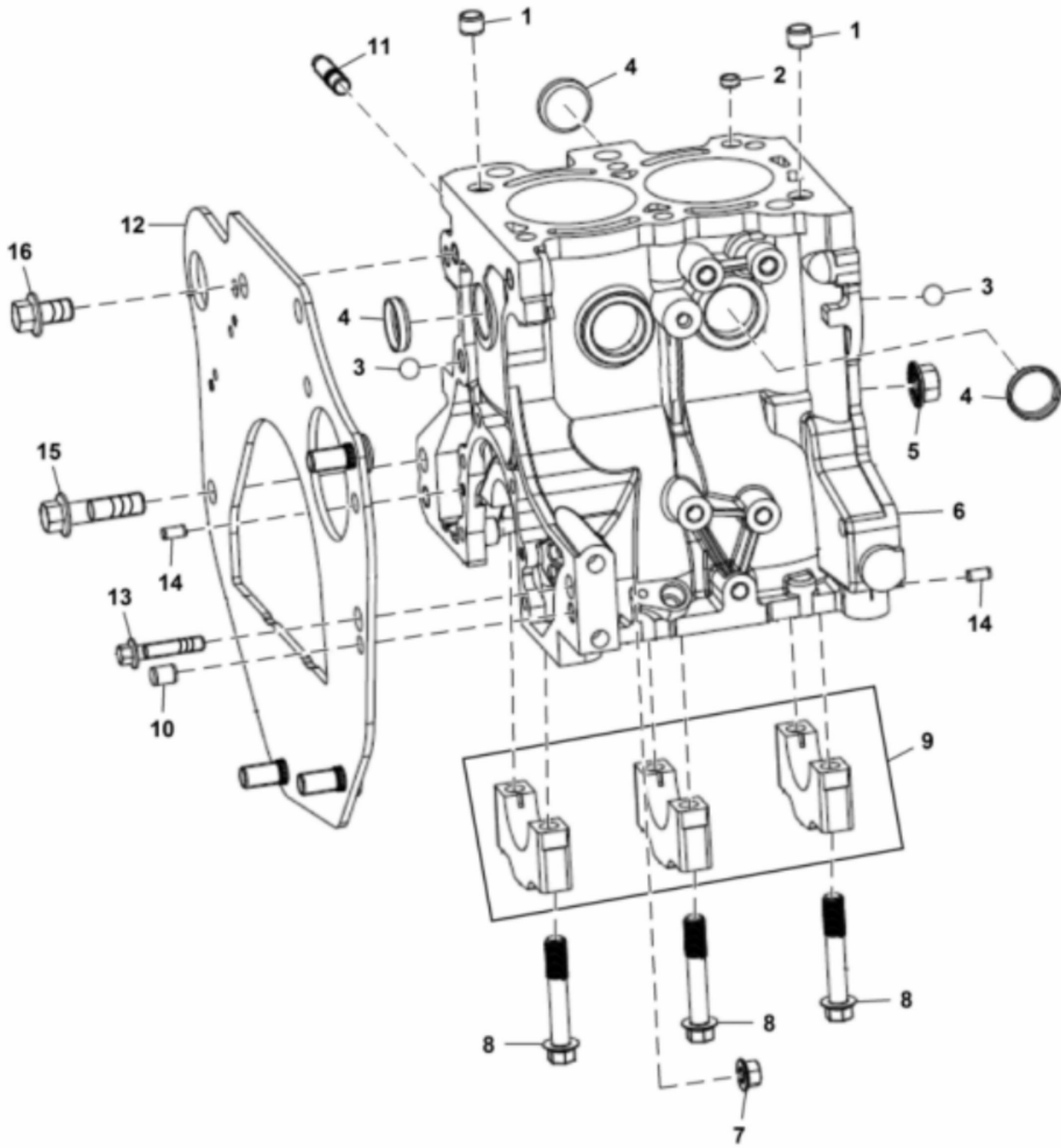


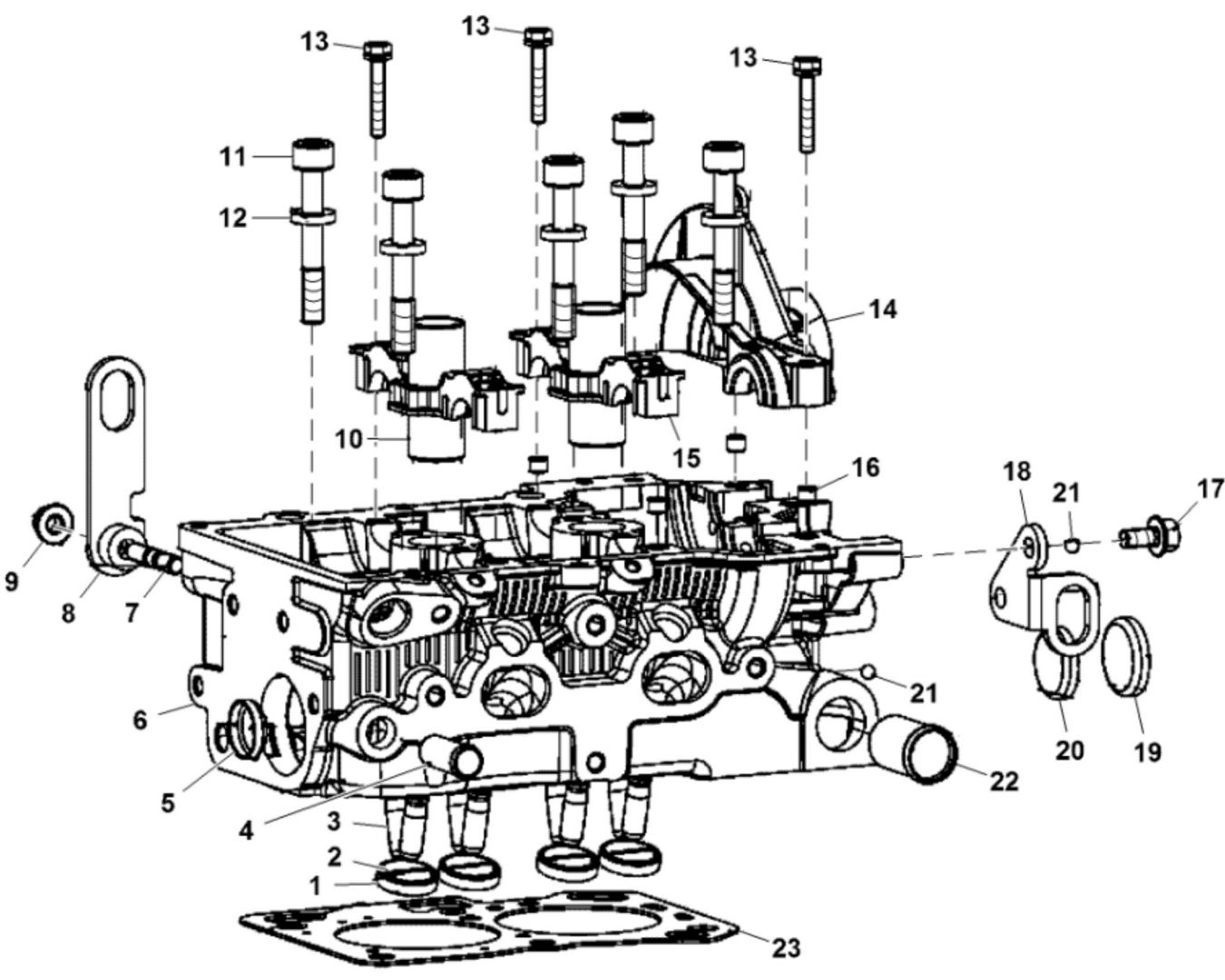
PU19411

KEY	PART NO.	PART NAME	QTY	Serial No.	REMARKS
1	M1A12607	GASOLINE ENGINE	1	____-020000	
1	AUC10453	GASOLINE ENGINE	1	020001-____	
2	M174466	COVER	1		
3	LVU15947	SCREW	3		
4	M164585	HOSE CLAMP	1		
5	14M7465	LOCK NUT	4		M10
6	37M7459	SCREW	4		M6 X 20
7	37M7457	SCREW	1		M6 X 16
8	M1A11670	MANIFOLD AIR PRESS. SENSOR	1		



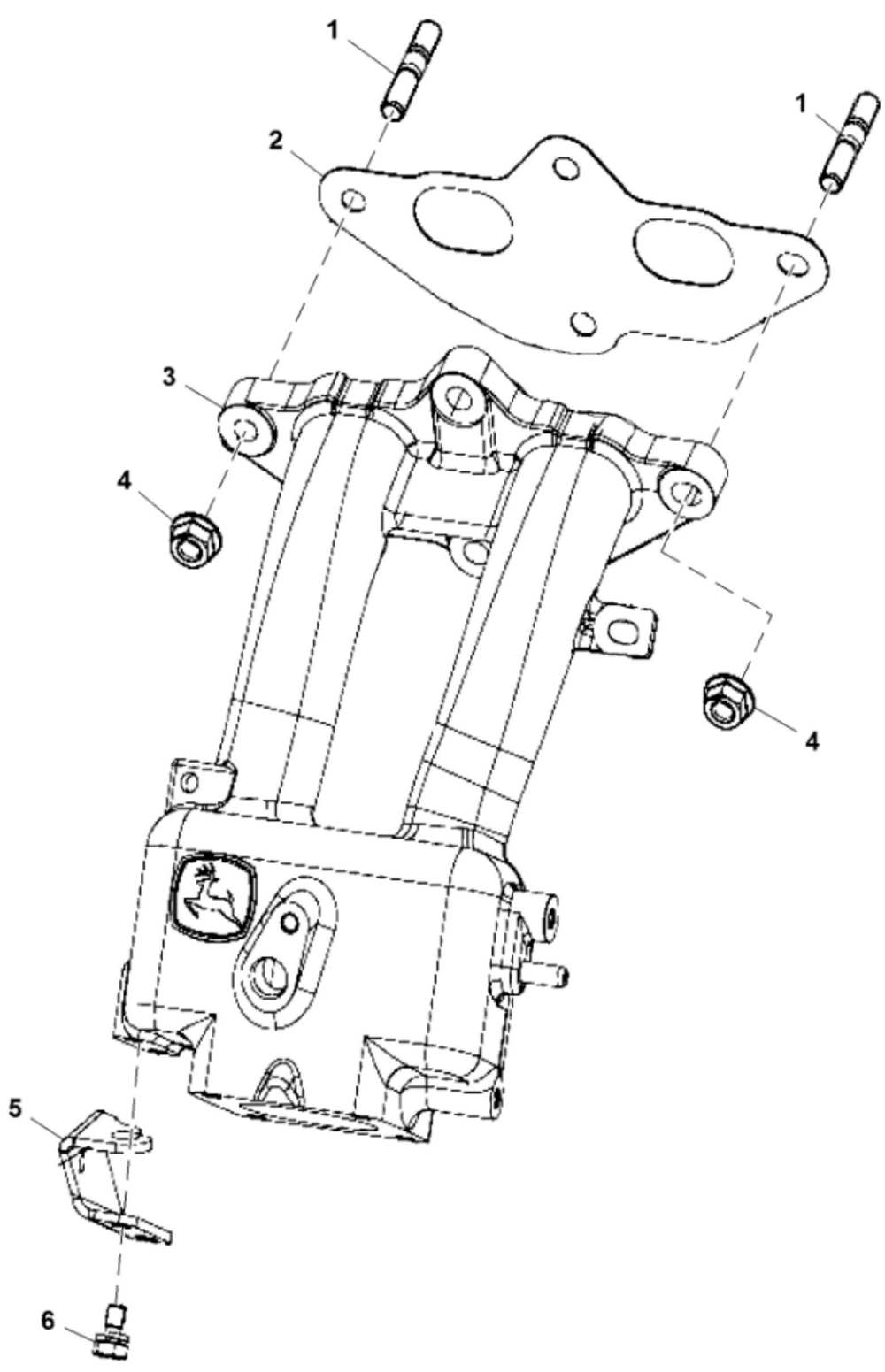
MM16711A01

KEY	PART NO.	PART NAME	QTY	REMARKS
1	MIU12575	DOWEL PIN	2	
1	MIU12577	DOWEL PIN	2	USE WITH AUC10453
2	MIU14556	PLUG	1	
3	BALL	2	
4	MIU14555	PLUG	4	
5	14M7298	FLANGE NUT	1	M8
6	MIU14219	CYLINDER BLOCK	1	INCLUDES MIU14556, (2) MIU12575, (4) MIU14555 AND (6) MIU12691
7	NUT	1	
8	MIU12691	BOLT	6	
9	MIA12358	BEARING KIT	1	
10	MIU14558	PIN	2	
11	MIU14557	STUD	4	
12	MIU14220	PLATE	1	
13	19M8317	BOLT	1	M8 X 40
14	MIU12574	PIN	6	
15	BOLT	1	
16	19M9853	SCREW	2	M12 X 20



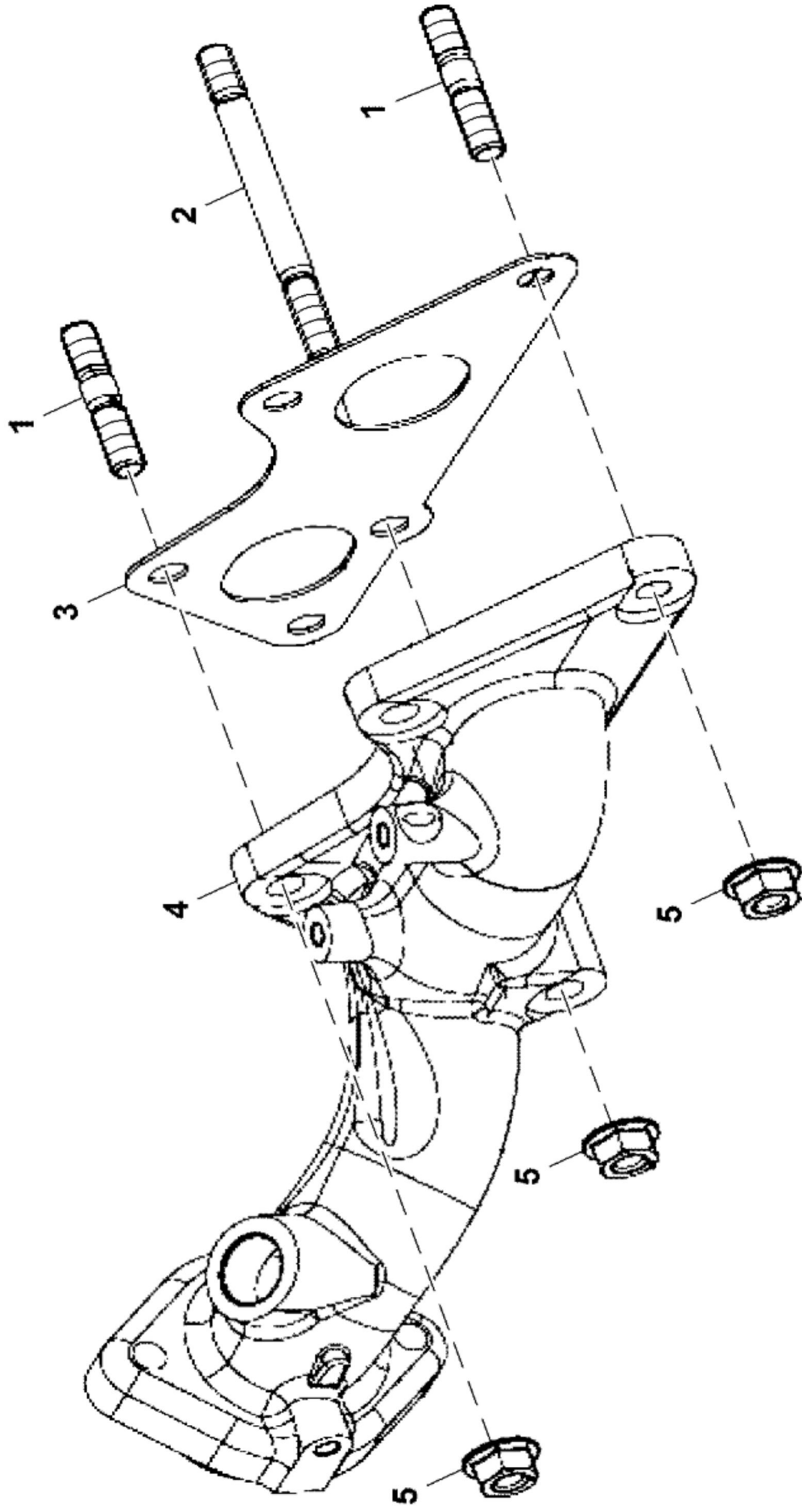
MM16711A02

KEY	PART NO.	PART NAME	QTY	REMARKS
1	VALVE SEAT	4	Intake
2	VALVE SEAT	4	Exhaust
3	GUIDE	8	Valve
4	PIPE	1	
5	PLUG	1	
6	M1A12758	CYLINDER HEAD	1	INCLUDES MIU14560 AND MIU14561
7	MIU14563	STUD	1	
8	MIU14564	LUG	1	
9	14M7298	FLANGE NUT	1	M8
10	MIU12578	COVER	2	
11	MIU12579	BOLT	6	
12	MIU12580	WASHER	6	
13	19M7797	SCREW	13	M6 X 40
14	BEARING CAP	1	
15	BEARING CAP	1	
16	MIU14566	PIN	6	
17	19M7865	SCREW	2	M8 X 16
18	MIU14565	LUG	1	
19	MIU14561	PLUG	1	
20	MIU14560	PLUG	1	
21	BALL	1	
22	PIPE	2	
23	MIU14568	ENGINE CYLINDER HEAD GASKET	1	



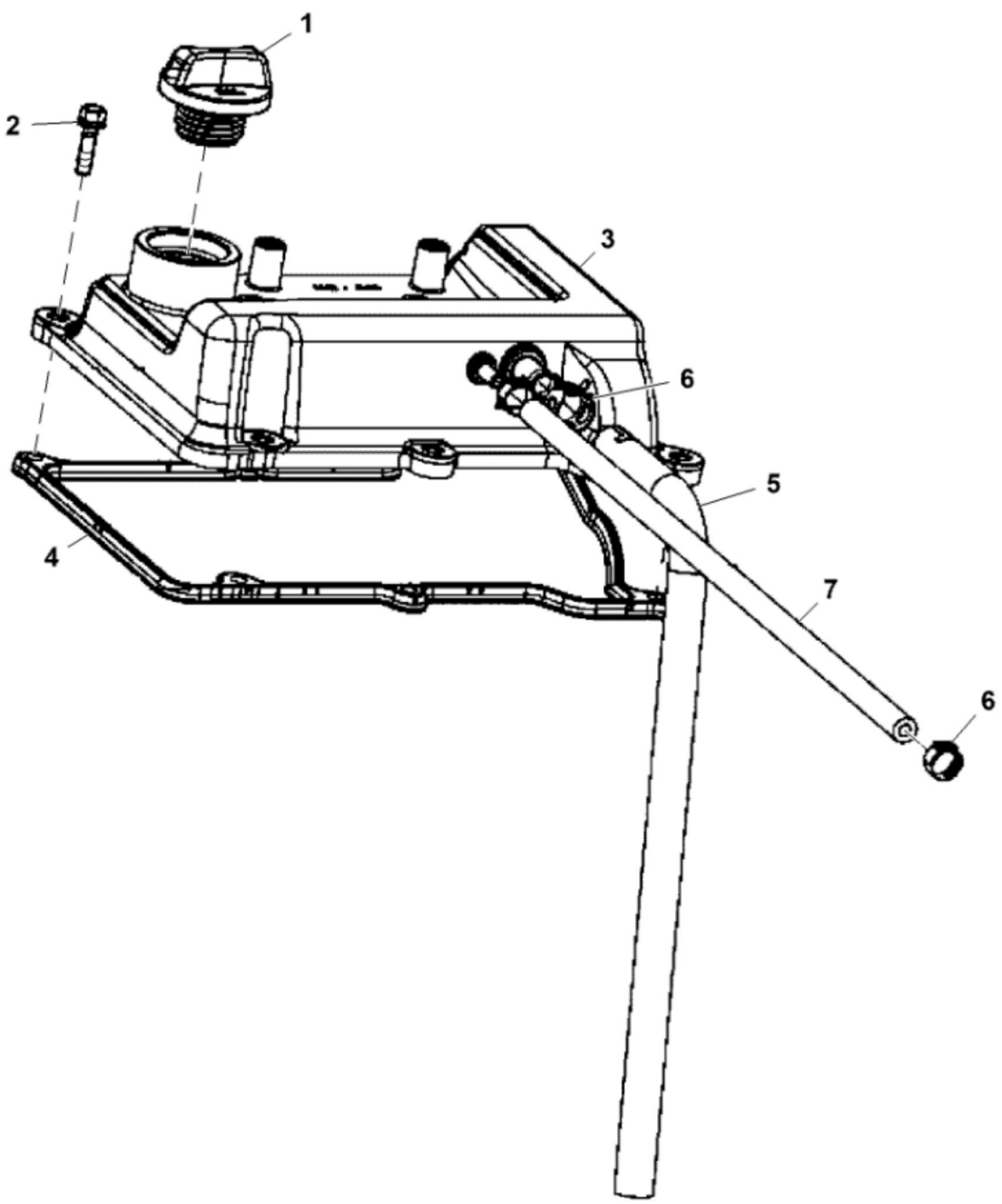
MM16711A03

KEY	PART NO.	PART NAME	QTY	REMARKS
1	MIU14563	STUD	4	
2	MIU14569	GASKET	1	
3	MIU14216	INTAKE MANIFOLD	1	
4	14M7298	FLANGE NUT	4	M8
5	MIU14221	BRACKET	1	
6	19M7932	CAP SCREW	2	M8 X 16



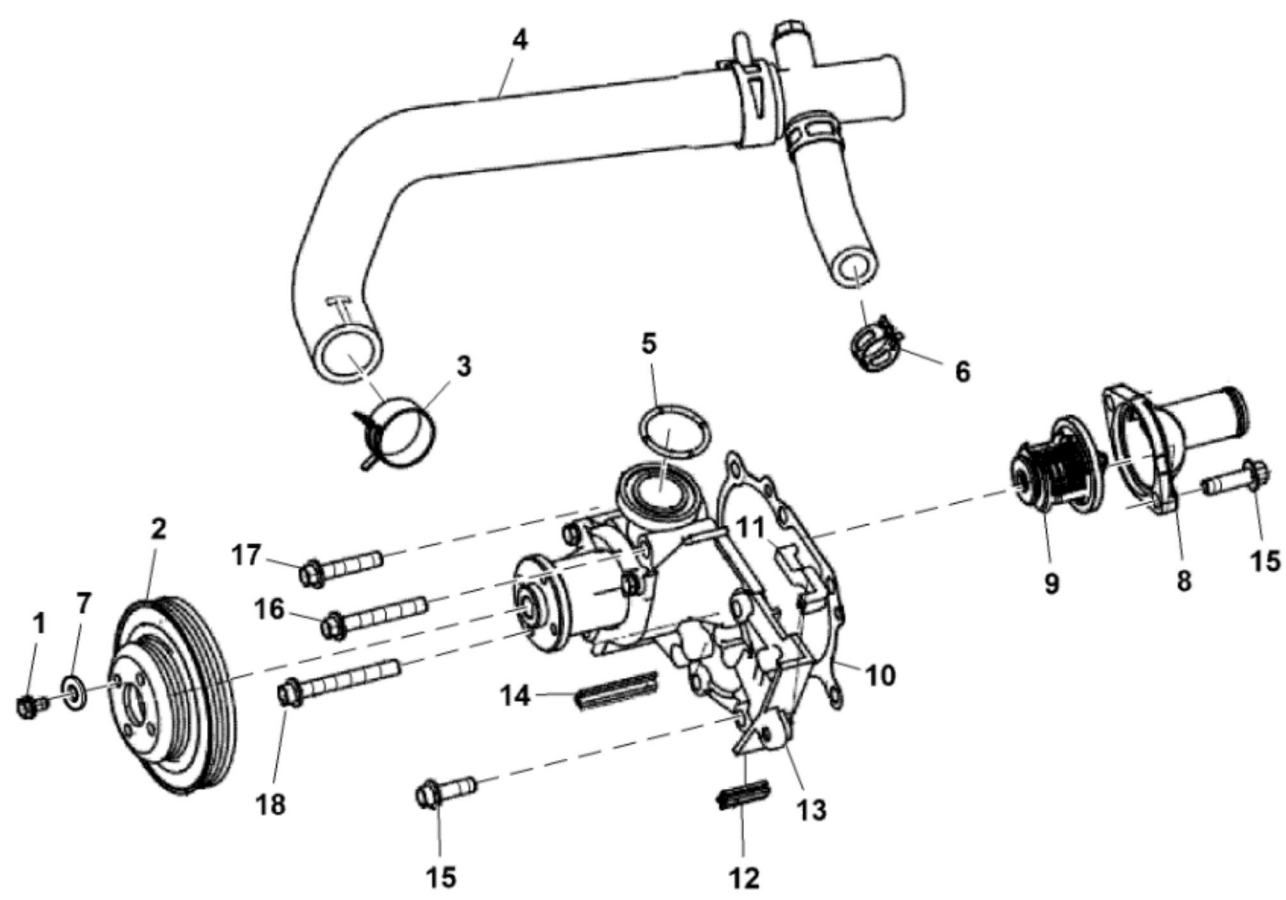
MM16711A04

KEY	PART NO.	PART NAME	QTY	REMARKS
1	MIU14563	STUD	4	
2	MIU14570	STUD	1	
3	MIU14571	GASKET	1	
4	MIU14217	EXHAUST MANIFOLD	1	
5	14M7298	FLANGE NUT	5	M8



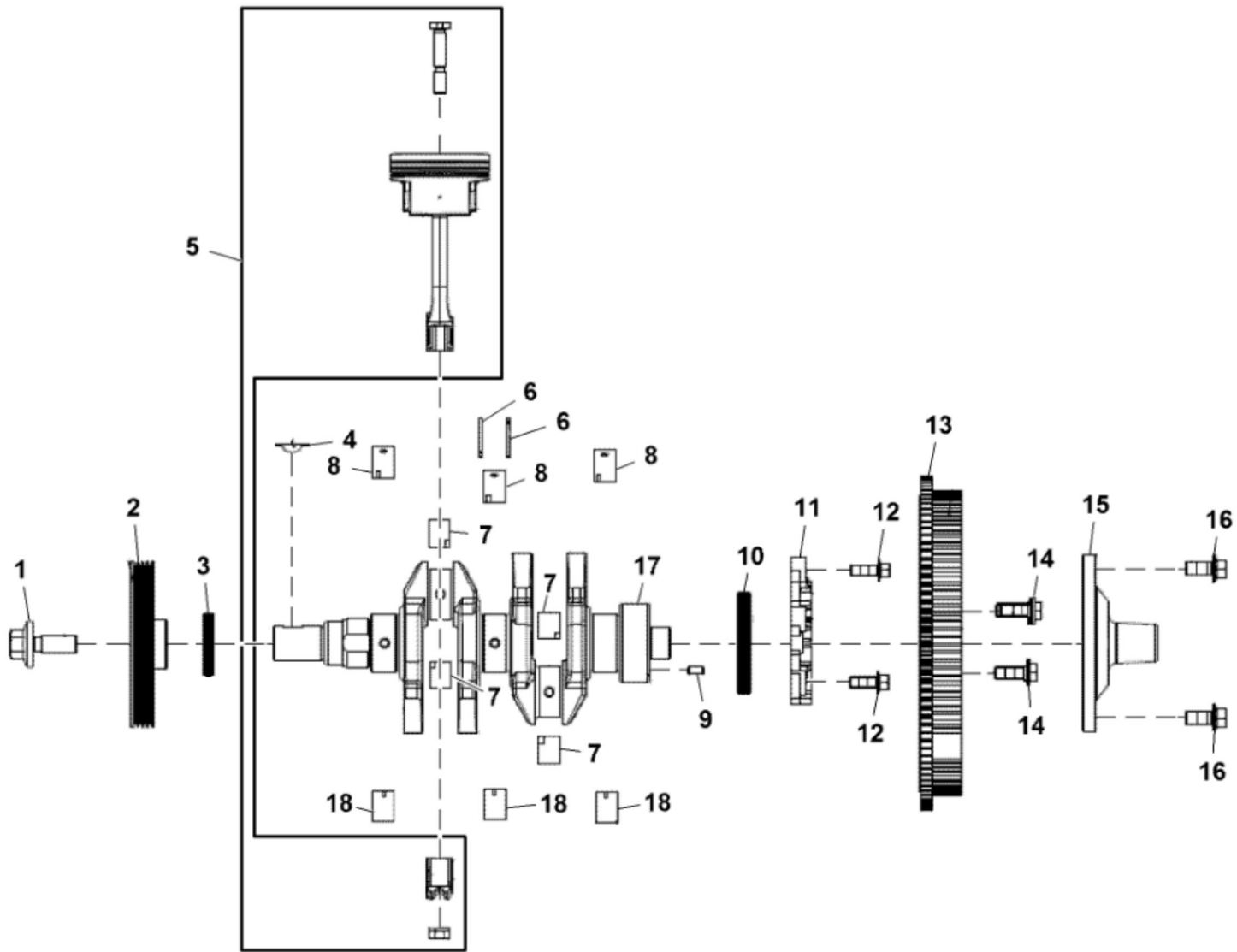
MM16711A05

KEY	PART NO.	PART NAME	QTY	REMARKS
1	MIA11705	COVER	1	Oiling Port
2	19M7933	CAP SCREW	6	M6 X 25
3	MIA13181	COVER	1	Rocker
4	MIU14572	SEAL	1	
5	MIU14574	HOSE	1	Air Intake
6	AR77962	HOSE CLAMP	3	
7	MIU14573	HOSE	1	Intake Manifold



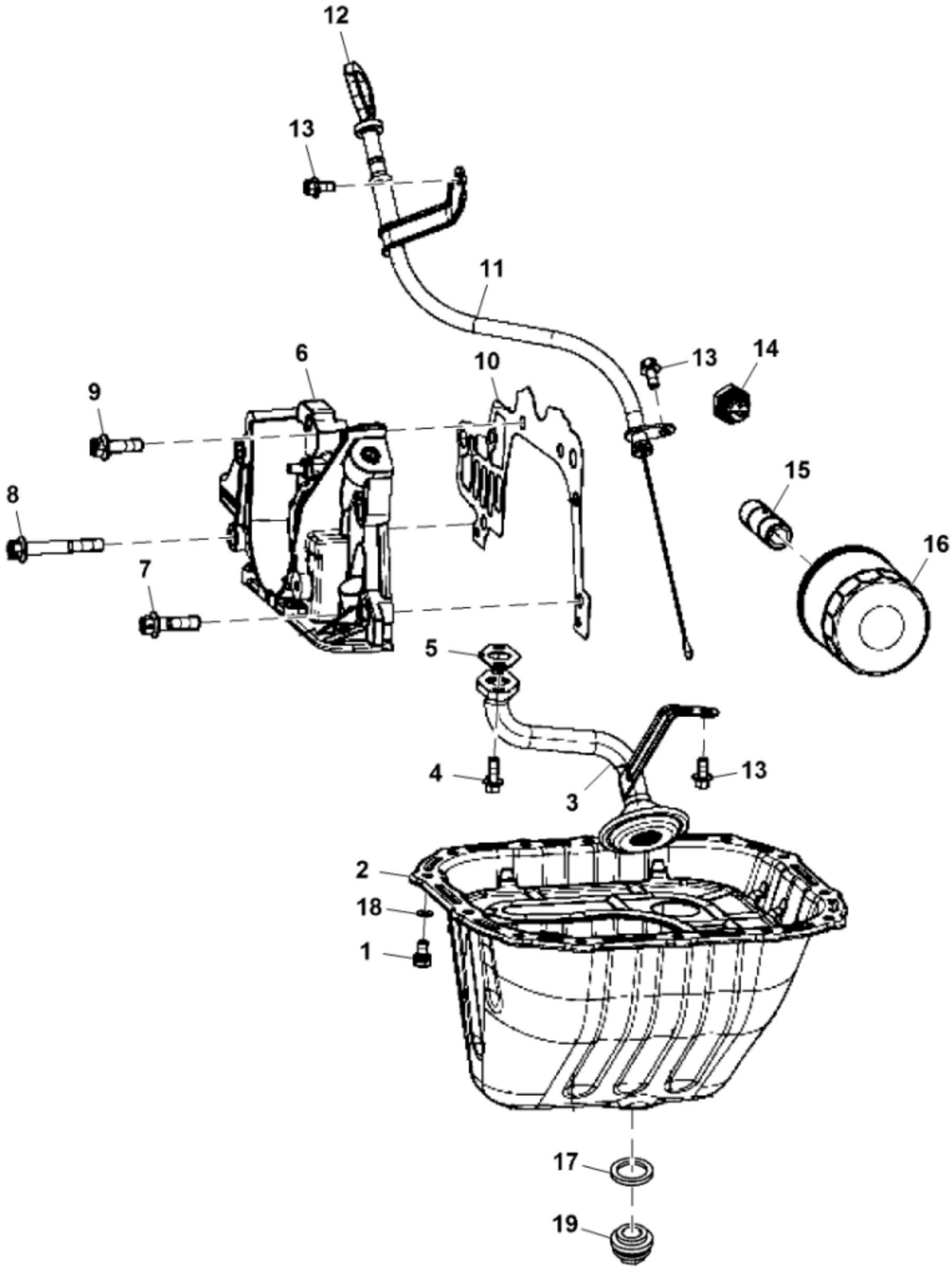
PU19630

KEY	PART NO.	PART NAME	QTY	REMARKS
1	19M7932	CAP SCREW	4	M8 X 16
2	MIU12659	PULLEY	1	
3	TY22467	CLAMP	1	
4	MIU14579	PIPE	1	
5	MIU12661	O-RING	1	
6	TY22465	HOSE CLAMP	1	
7	12M7006	LOCK WASHER	5	6 mm
8	MIU12668	HOUSING	1	
9	MIA11731	THERMOSTAT KIT	1	
10	MIU12662	GASKET	1	
11	MIU12666	SEAL	1	
12	MIU12664	SEAL	1	
13	MIA11730	WATER PUMP	1	
14	MIU12665	SEAL	1	
15	19M7867	SCREW	5	M8 X 25
16	19M7981	CAP SCREW	1	M8 X 55
17	19M8317	SCREW	1	M8 X 40
18	19M8402	CAP SCREW	1	M8 X 65



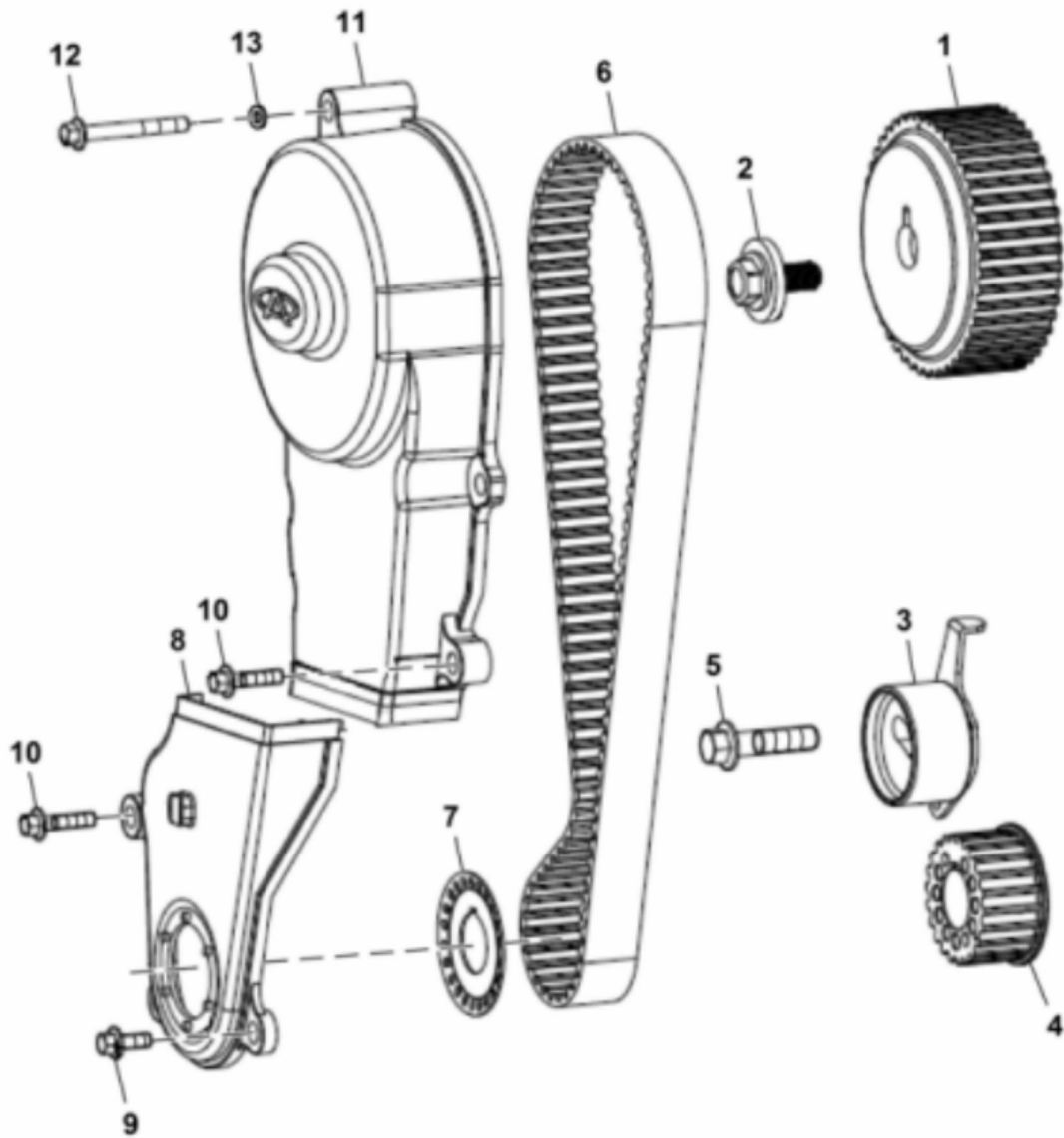
PU21570

KEY	PART NO.	PART NAME	QTY	REMARKS
1	MIU12649	BOLT	1	
2	MIU14222	PULLEY	1	Crank
3	MIU12652	SEAL	1	
4	MIU12653	KEY	1	
5	MIA13183	PISTON	2	INCLUDES MIU12616, MIA12357 AND MIU12620
6	MIU12654	PLATE	2	
7	MIU13997	BEARING	4	
8	BEARING	3	
9	MIU12657	PIN	1	
10	MIA11727	SEAL	1	
11	MIU12628	BRACKET	1	
12	19M7866	SCREW	5	M8 X 20
13	MIA11728	FLYWHEEL KIT	1	
14	MIU12650	BOLT	6	
15	MIU13920	SHAFT	1	
16	19M7784	SCREW	4	M10 X 20
17	MIA13182	CRANKSHAFT	1	
18	BEARING	3	Lower
19	MIU12616	PISTON	2	(Not Illustrated)
20	MIA12357	PISTON RING KIT	2	(Not Illustrated)
21	MIU12620	PISTON PIN	2	(Not Illustrated)
22	19M7881	SCREW	2	(Not Illustrated) M8 X 20



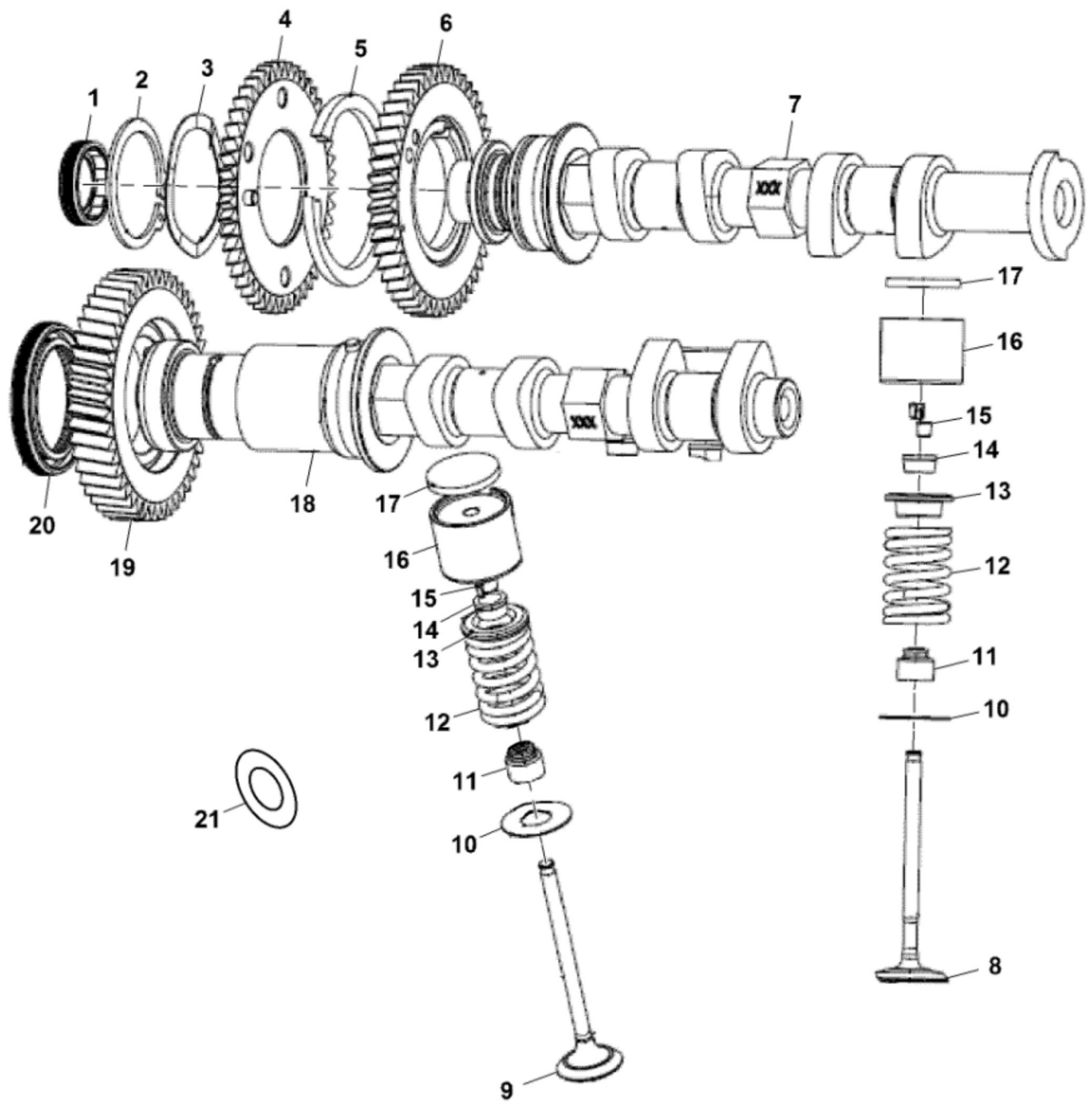
MM16711AR108

KEY	PART NO.	PART NAME	QTY	REMARKS
1	19M7932	CAP SCREW	14	M8 X 16
2	MIA13211	OIL PAN	1	INCLUDES MIU12693
3	MIA13184	OIL TUBE	1	
4	19M8425	CAP SCREW	2	M6 X 16
5	MIU12625	WASHER	1	
6	MIA13185	OIL PUMP	1	
7	19M7868	SCREW	3	M8 X 30
8	19M7981	CAP SCREW	2	M8 X 55
9	19M7867	SCREW	1	M8 X 25
10	MIU12622	GASKET	1	Oil Pump
11	MIU14586	PIPE	1	
12	MIU14587	ROD	1	
13	19M7923	CAP SCREW	3	M6 X 12
14	MIA11697	PRESSURE SWITCH	1	
15	MIU12627	FITTING	1	
16	AM107423	OIL FILTER	1	
17	T105179	WASHER	1	
18	12M7006	LOCK WASHER	14	6 mm
19	MIU12693	PLUG	1	



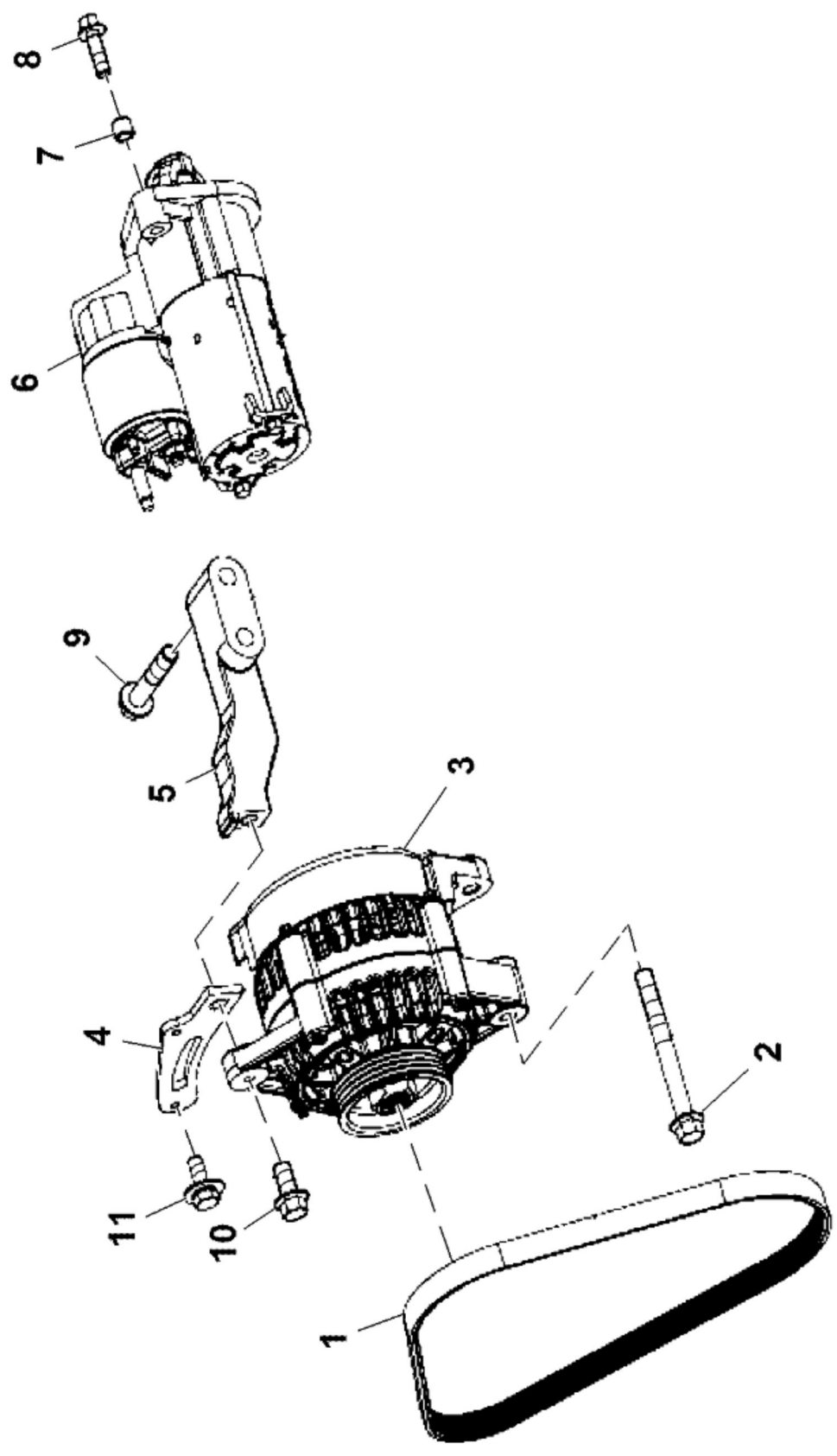
MM16711A09

KEY	PART NO.	PART NAME	QTY	REMARKS
1	MIU14617	GEAR	1	Camshaft
2	MIU12599	BOLT	1	
3	MIA13186	BELT TENSIONER	1	
4	MIU12651	GEAR	1	
5	19M8320	SCREW	1	M10 X 45
6	MIU14591	RUBBER TRACK BELT	1	
7	MIU12675	WASHER	1	
8	MIA13188	COVER	1	
9	19M8425	CAP SCREW	4	M6 X 16
10	19M7863	SCREW	2	M6 X 25
11	MIA13187	COVER	1	Upper Body
12	19M8329	CAP SCREW	1	M6 X 50
13	24M7054	WASHER	1	6.400 X 12 X 1.600 mm



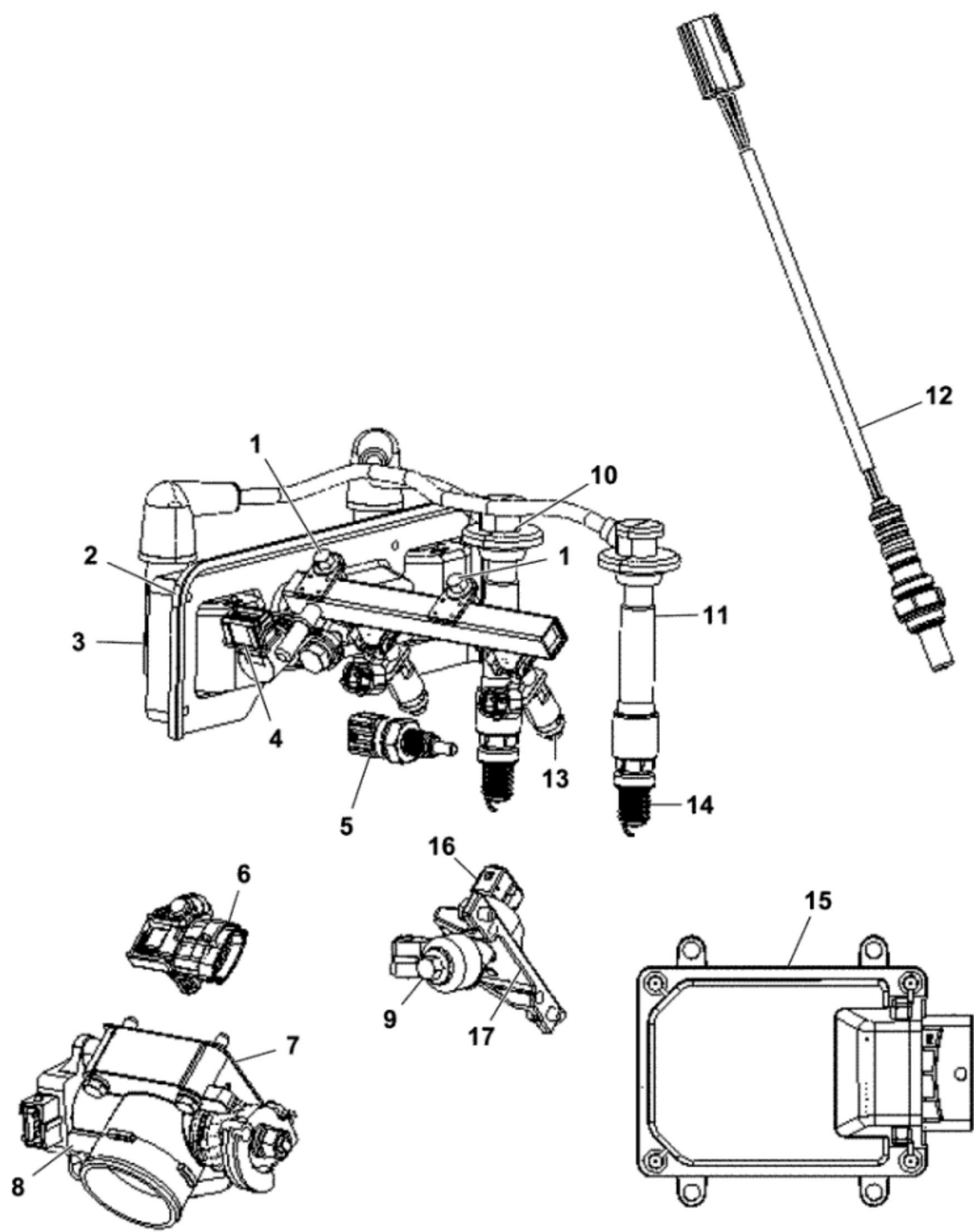
MM16711AR110

KEY	PART NO.	PART NAME	QTY	REMARKS
1	MIU12586	COVER	1	
2	MIU12591	WASHER	1	
3	MIU12596	WASHER	1	
4	MIA13191	GEAR	1	Intake Camshaft
5	MIU12597	RING	1	
6	MIA11701	CAMSHAFT	1	Main Gear, Intake
7	MIU14593	CAMSHAFT	1	Intake
8	MIU14596	EXHAUST VALVE	4	
9	MIU14595	INTAKE VALVE	4	
10	MIU12609	SPRING	8	Lower Seat Valve
11	MIA11704	SEAL KIT	8	
12	MIU12608	SPRING	8	
13	MIU12607	SPRING	8	Upper Seat Valve
14	MIU12658	SEAL	8	
15	MIU12606	VALVE	16	
16	MIU12605	TAPPET	8	
17	MIU12788	SHIM	1	
17	MIU12789	SHIM	1	
17	MIU12790	SHIM	1	
17	MIU12791	SHIM	1	
17	MIU12792	SHIM	1	
17	MIU12793	SHIM	1	
17	MIU12794	SHIM	1	
17	MIU12795	SHIM	1	
17	MIU12798	SHIM	1	
17	MIU12799	SHIM	1	
17	MIU12800	SHIM	1	
17	MIU12801	SHIM	1	
18	MIA13189	CAMSHAFT	1	Exhaust
19	MIU14600	GEAR	1	Exhaust Camshaft
20	MIU12587	SEAL	1	
21	MIU14597	SHIM	1	
21	MIU14598	SHIM	1	
21	MIU14599	SHIM	1	



MM16711A11

KEY	PART NO.	PART NAME	QTY	REMARKS
1	MIU14603	RUBBER TRACK BELT	1	
2	19M7811	SCREW	1	M10 X 90
3	MIA13192	GENERATOR	1	
4	MIU14602	ARM	1	
5	MIU14601	BRACKET	1	
6	MIA11732	STARTER MOTOR KIT	1	
7	MIU12670	SLEEVE	2	
8	19M7867	SCREW	2	M8 X 25
9	19M8292	SCREW	2	M10 X 50
10	19M7784	SCREW	1	M10 X 20
11	19M7866	SCREW	1	M8 X 20



MM16711A12

Please write to us.

Our email:

aservicemanualpdf@yahoo.com

**Please go to the homepage
to get the full manual, or
other brand PDF manuals.**

Home Site:

aservicemanualpdf.com

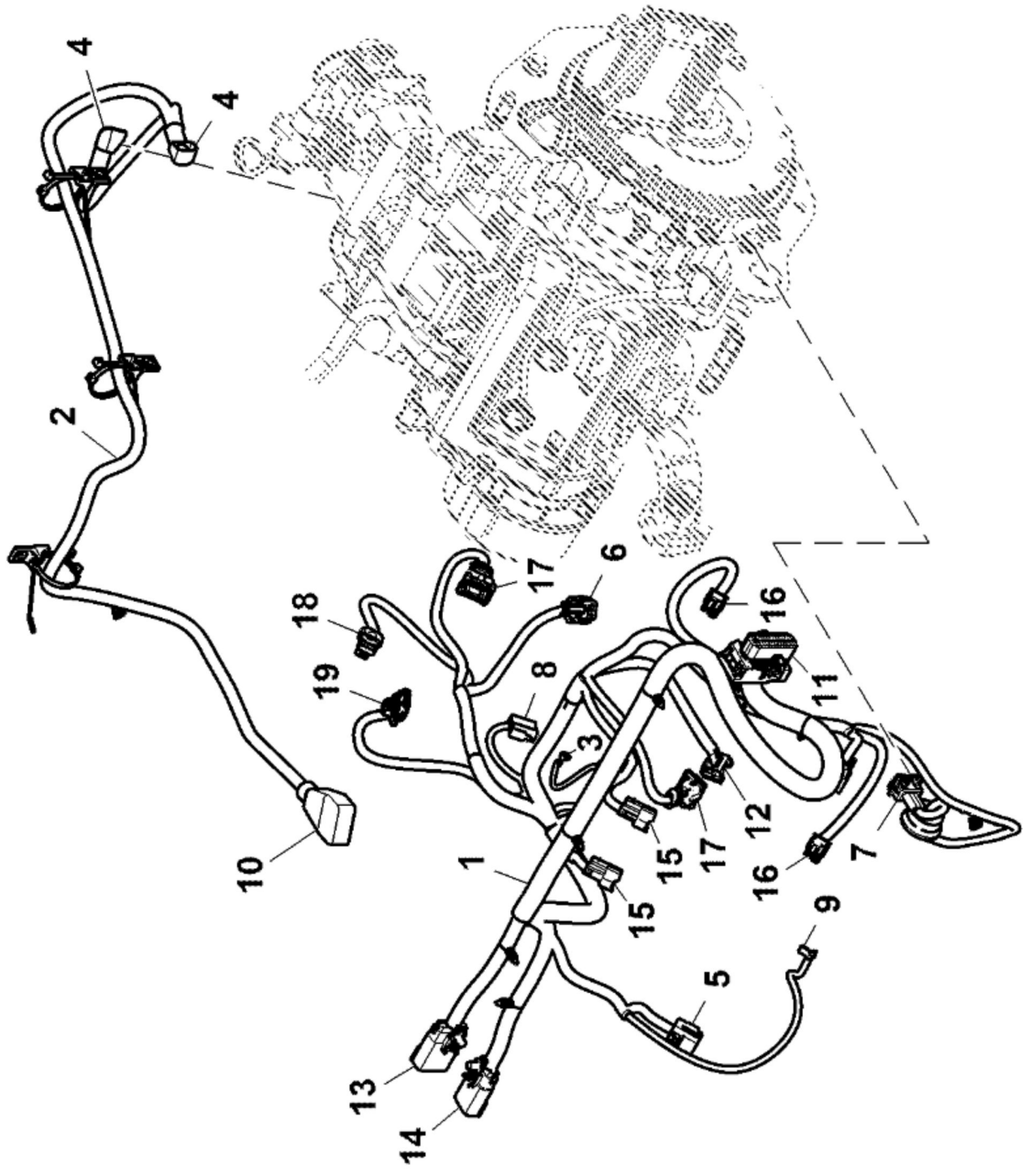
Thank you very much for your reading. Please Click Here. Then Get COMPLETE MANUAL. NO WAITING



NOTE:

If there is no response to click on the link above, please download the PDF document first and then click on it.

KEY	PART NO.	PART NAME	QTY	REMARKS
1	19M9010	SCREW	2	M6 X 55
2	MIU14218	BRACKET	1	
3	MIA13193	RECOIL STARTER	2	
4	MIA13197	SENSOR	1	Camshaft Position
5	MIA13198	SENSOR	1	Water Temperature
6	MIA13196	SENSOR	1	
7	MIU12631	GASKET	1	
8	MIA13201	THROTTLE KIT	1	Throttle Body, Includes Throttle Position Sensor (TPS) and Idle Air Control Valve (IACV)
9	MIA13199	SENSOR	1	Knock
10	MIA13194	WIRING LEAD	1	Cylinder- 1
11	MIA13195	WIRING LEAD	1	Cylinder- 2
12	MIA11671	SENSOR	1	Oxygen
13	MIA13200	FUEL RAIL	1	
14	MIU12783	SPARK PLUG	2	
15	MIU14463	ELECTRONIC CONTROL UNIT	1	
16	MIA11672	PROXIMITY SENSOR	1	Crank Position
17	MIU12669	BRACKET	1	Crankshaft Position Sensor



MX313677

KEY	PART NO.	PART NAME	QTY	REMARKS
1	MIU14610	WIRING HARNESS	1	
2	MIU14611	ENGINE POWER WRG HARNESS	1	Battery Power
3	57M10246	ELEC. CONNECTOR TERMINAL	1	
4	M135512	BOOT	2	
5	57M13240	ELEC. CONNECTOR HOUSING	1	O2 Sensor
5	57M8135	ELEC. CONNECTOR TERMINAL	4	
5	57M10082	ELEC. CONNECTOR CABLE SEAL	4	
6	57M9780	ELEC. CONNECTOR HOUSING	1	Speed Sensor
6	57M9808	ELEC. CONNECTOR TERMINAL	3	
7	57M11776	ELEC. CONNECTOR HOUSING	1	Crank Position Sensor
7	ELEC. CONNECTOR TERMINAL	2	
7	57M7400	ELEC. CONNECTOR SEAL	3	
8	57M12284	ELEC. CONNECTOR HOUSING	1	Alternator
8	57M7172	ELEC. CONNECTOR TERMINAL	2	
9	57M11542	ELEC. CONNECTOR TERMINAL	1	Oil Pressure
10	M71400	BOOT	1	
11	57M11732	ELEC. CONNECTOR HOUSING	1	ECU
11	ELEC. CONNECTOR TERMINAL	1	
12	57M13238	ELEC. CONNECTOR HOUSING	1	Knock Sensor
12	ELEC. CONNECTOR TERMINAL	2	
12	57M7400	ELEC. CONNECTOR SEAL	2	
13	57M13858	ELEC. CONNECTOR HOUSING	1	
14	57M11575	ELEC. CONNECTOR HOUSING	1	
14	57M11544	ELEC. CONNECTOR TERMINAL	10	
14	ELEC. CONNECTOR TERMINAL	1	
14	57M11579	ELEC. CONNECTOR SEAL	1	
15	57M13645	ELEC. CONNECTOR HOUSING	2	Injector
15	ELEC. CONNECTOR TERMINAL	2	
15	ELEC. CONNECTOR SEAL	2	
16	57M13239	ELEC. CONNECTOR HOUSING	2	Coil
16	ELEC. CONNECTOR TERMINAL	4	
17	57M14479	ELEC. CONNECTOR HOUSING	2	
17	ELEC. CONNECTOR TERMINAL	6	
17	57M7400	ELEC. CONNECTOR SEAL	6	
18	57M14478	ELEC. CONNECTOR HOUSING	1	