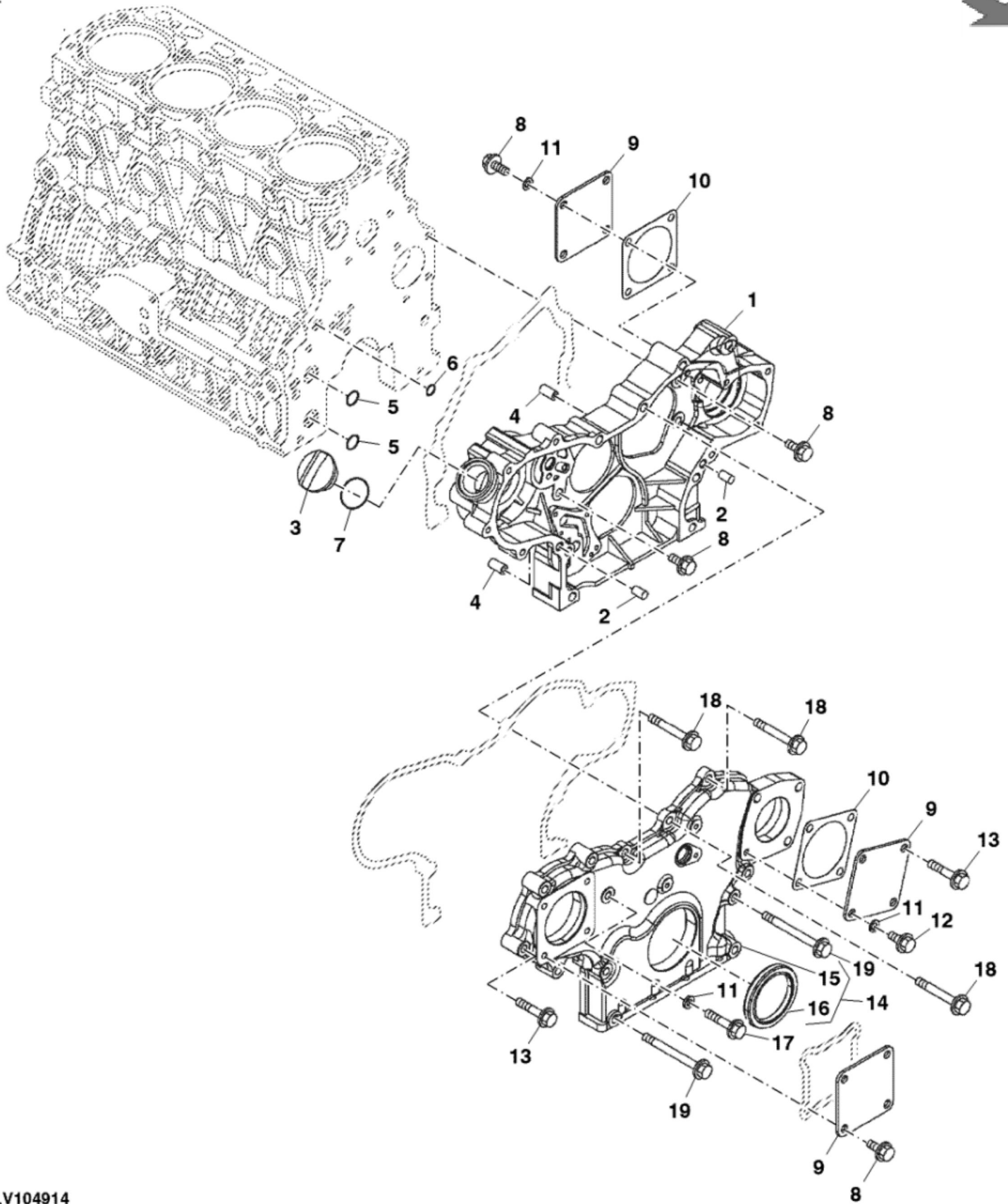


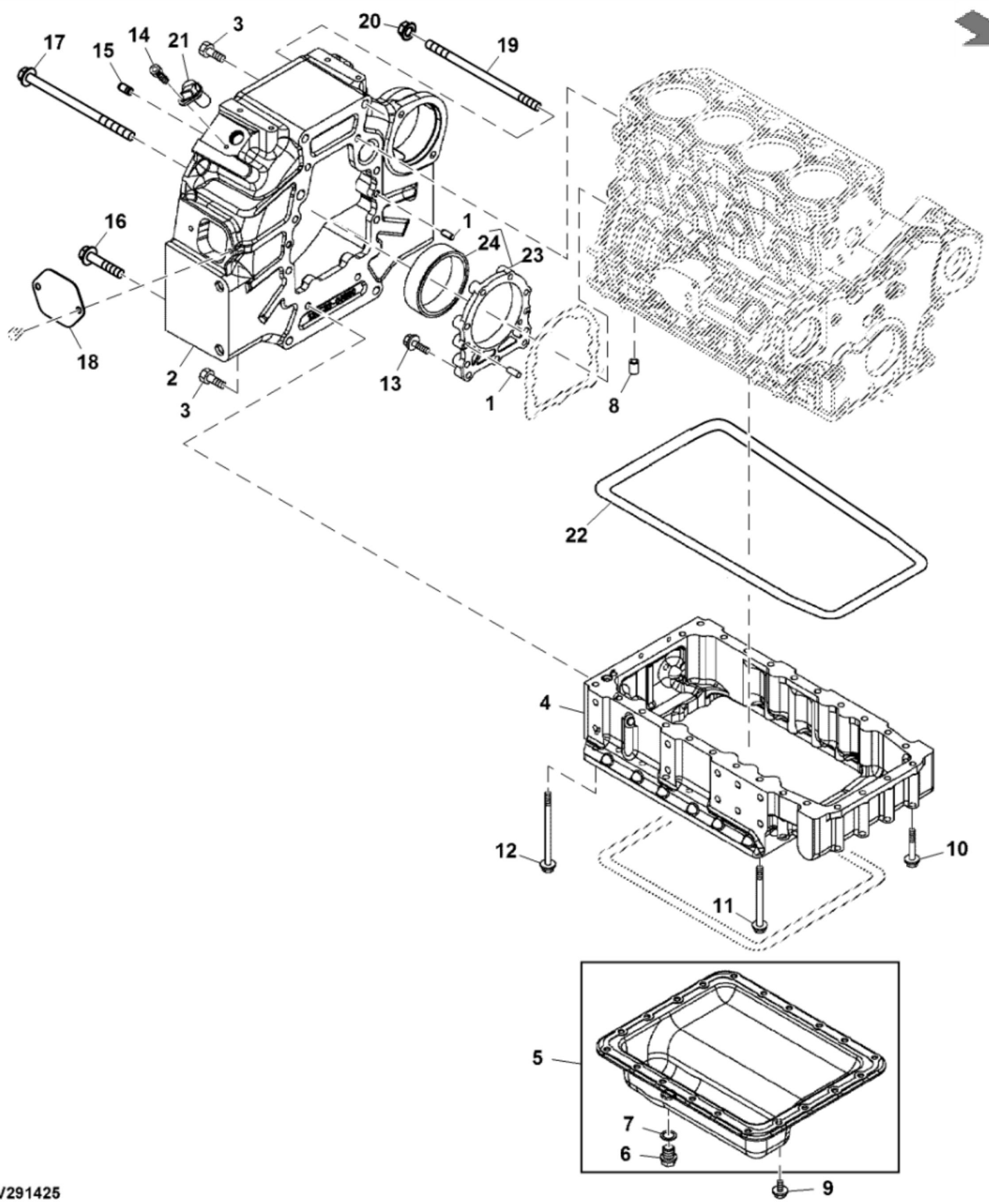
PULV104913

KEY	PART NO.	PART NAME	QTY	REMARKS
1	MIA883060	CYLINDER BLOCK	1	
2	M809565	DRAIN PLUG	1	
3	15H562	PIPE PLUG	1	1"
4	M801189	BOLT	10	
5	MIU800573	BUSHING	1	Camshaft
6	30M7023	PLUG	8	
7	CH10314	PLUG	1	
8	CH10335	PLUG	3	
9	MIA880555	BEARING	2	
9	MIA882809	BEARING KIT	1	OS
10	M87801	PLUG	1	
11	M801186	BOLT	18	
12	MIA882027	GASKET KIT	1	
13	M811307	PLUG	1	
14	MIA880554	BEARING	5	Spare Part
14	MIA880550	BEARING	5	US
14	AM875371	BEARING KIT	5	
..	MIA13150	DIESEL ENGINE	1	MARKED 4TNV86CT-MJT; SUB FOR MIA13033



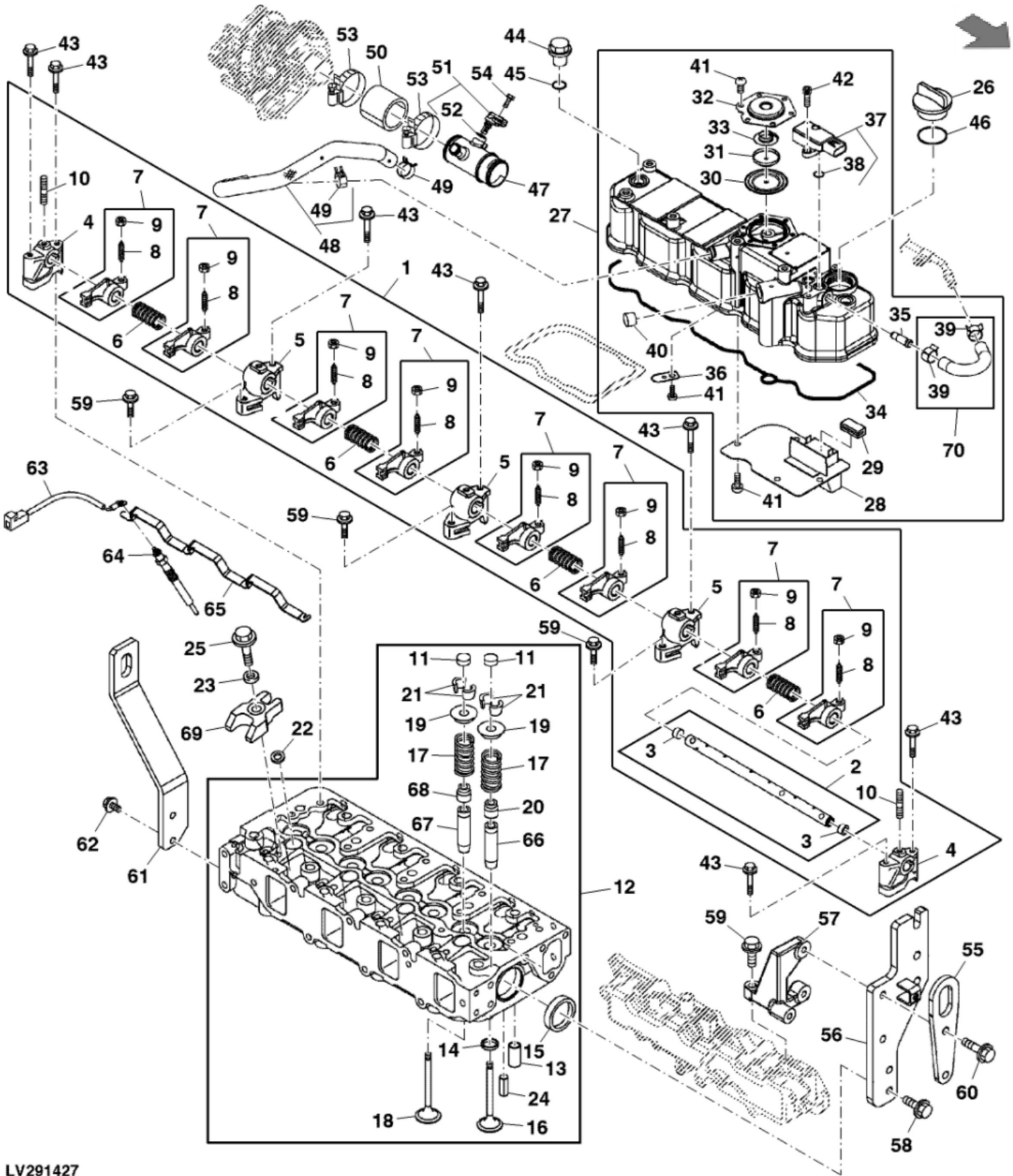
PULV104914

KEY	PART NO.	PART NAME	QTY	REMARKS
1	MIU803207	GEAR CASE	1	
2	M802255	PIN	2	
3	M805710	CAP	1	
4	M800974	PIPE	2	
5	M810185	O-RING	2	
6	M809204	O-RING	1	
7	M805711	PACKING	1	
8	19M7865	SCREW	11	M8 X 16
9	CH18096	COVER	3	
10	MIU802578	GASKET	2	
11	M803523	WASHER	3	
12	CH19780	BOLT	1	
13	19M8317	SCREW	8	M8 X 40
14	MIA882962	COVER KIT	1	
15	MIU803224	COVER	1	
16	M811078	SEAL	1	
17	CH19090	BOLT	1	SUB FOR 19M7897
18	19M7801	SCREW	3	M8 X 60
19	CH19136	BOLT	4	



LV291425

KEY	PART NO.	PART NAME	QTY	REMARKS
1	M802255	PIN	4	
2	MIU803279	HOUSING	1	Flywheel
3	19M7402	CAP SCREW	8	M10 X 25
4	MIU803597	OIL PAN	1	
5	AM881955	COVER	1	
6	T111565	PLUG	1	Drain
7	M806433	WASHER	1	
8	T110645	PIPE	1	
9	19M7864	SCREW	20	M8 X 12
10	CH19136	BOLT	8	
11	CH19093	BOLT	14	
12	T111562	BOLT	4	
13	M808308	BOLT	9	
14	19M8553	SCREW	1	M6 X 16
15	44M7131	DOWEL PIN	2	
16	19M7815	SCREW	5	M12 X 60
17	LVU25337	SCREW	2	
18	MT132855	PLATE	1	
19	LVU26821	ROD	2	
20	14M7299	FLANGE NUT	2	M12
21	MIU802138	SENSOR	1	
22	M64850	SEALANT	1	
23	AM875375	CASE	1	
24	M805278	SEAL	1	

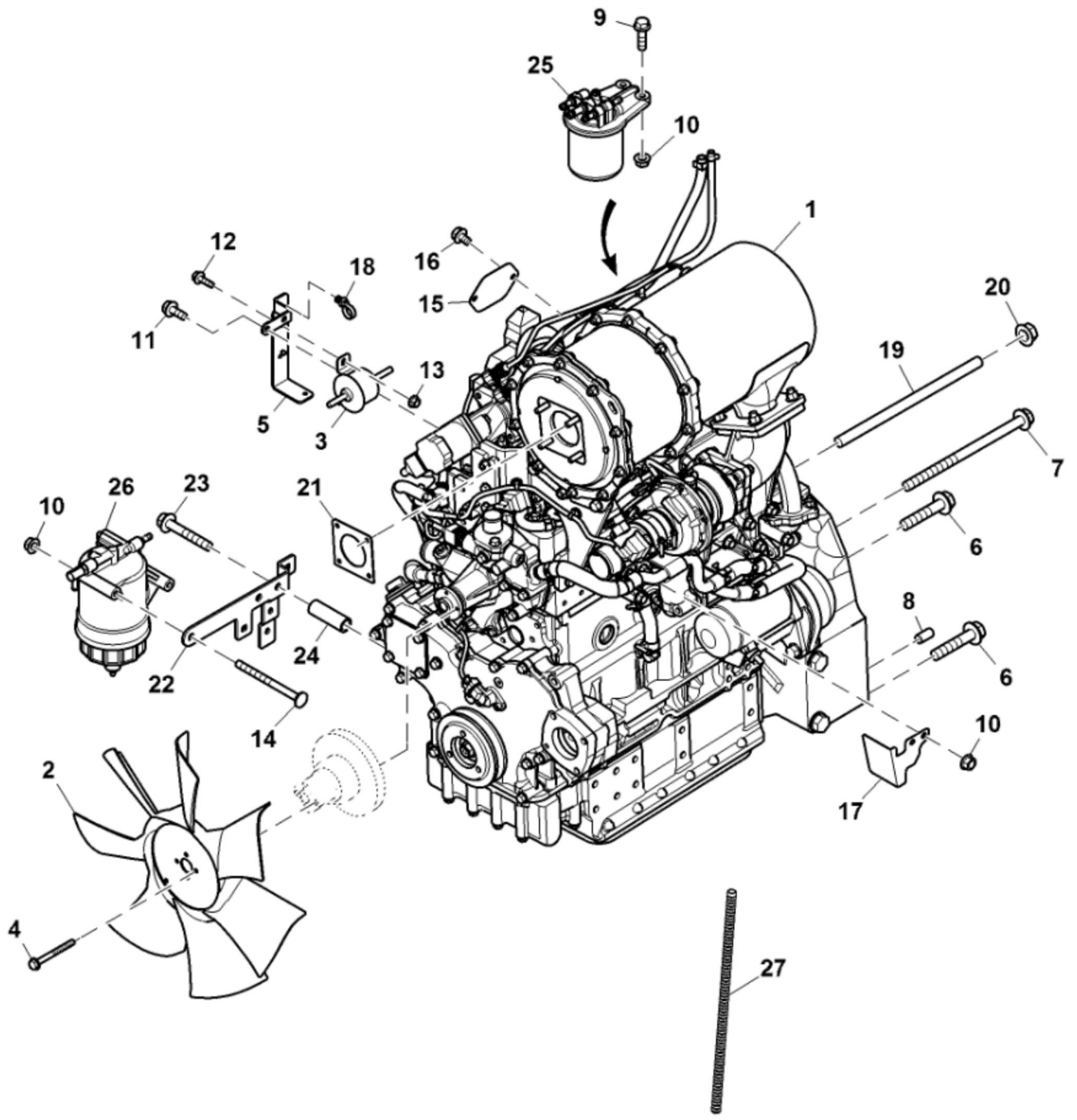


LV291427

KEY	PART NO.	PART NAME	QTY	REMARKS
1	AM881804	ROCKER ARM SHAFT	1	
2	M811121	SHAFT	1	
3	M800002	PLUG	2	
4	M811050	SUPPORT	2	
5	M811051	SUPPORT	3	
6	M801025	SPRING	4	
7	AM881820	ROCKER ARM	8	
8	M801027	SCREW	8	
9	M801028	NIUT	8	
10	M801024	STUD	3	
11	M801224	CAP	8	
12	MIA882031	CYLINDER HEAD	1	
13	M801217	PLUG	4	
14	T110653	VALVE SEAT	4	
15	CH16751	PLUG	2	
16	M811557	INTAKE VALVE	4	
17	M801222	SPRING	8	
18	T110649	EXHAUST VALVE	4	
19	M801223	RETAINER	8	
20	CH10450	SEAL	4	
21	AM878862	RETAINER KIT	8	
22	MIU802096	GASKET	4	
23	M811080	WASHER	4	
24	CH18079	SPRING PIN	2	
25	CH19090	BOLT	4	SUB FOR 19M7897
26	M805710	CAP	1	
27	MIA883749	VALVE COVER	1	
28	M811085	PLATE	1	
29	M801032	DEFLECTOR	1	
30	MIU801017	BREATHER	1	
31	MIU801018	PLATE	1	
32	MIU801019	PLATE	1	
33	MIU801020	DISK SPRING	1	
34	MIU802182	GASKET	1	
35	MIU802104	UNIVERSAL JOINT	1	

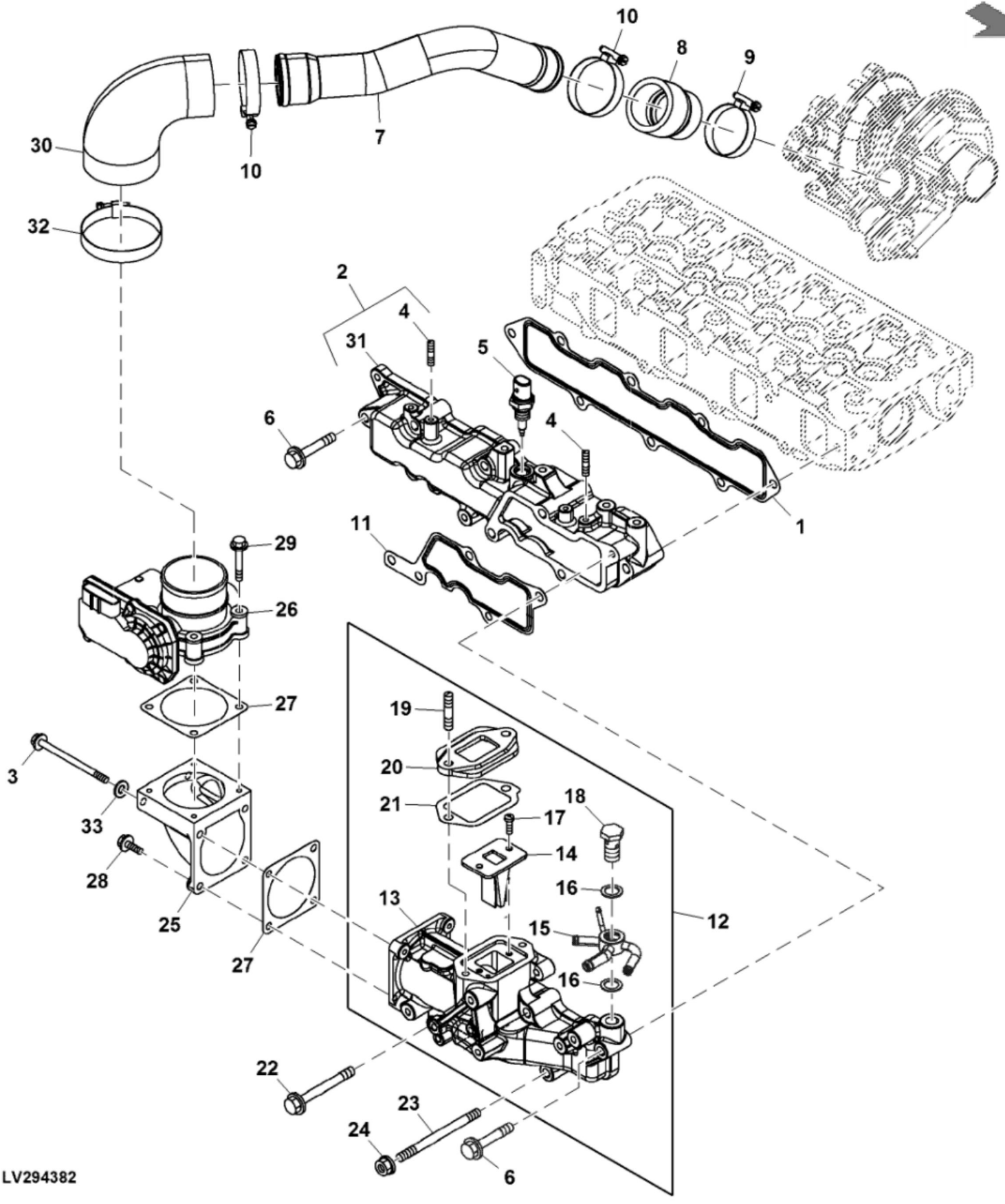


KEY	PART NO.	PART NAME	QTY	REMARKS
36	MIU800897	SPRING	1	
37	MIU803774	SENSOR	1	
38	MIU802110	O-RING	2	
39	MIU802119	CLIP	2	
40	T111544	PLUG	1	
41	M807374	SCREW	11	
42	19M8553	SCREW	2	M6 X 16
43	CH19086	BOLT	7	
44	CH10348	KNOB	3	
45	CH10568	PACKING	3	
46	M805711	PACKING	1	
47	MIU804164	BREATHER	1	SUB FOR MIU802920
48	MIA884121	BREATHER	1	INCLUDES (2) ET14230; SUB FOR MIA882028
49	ET14230	HOSE CLAMP	2	
50	MIU802207	HOSE	1	
51	MIU802108	TEMPERATURE SENSOR	1	
52	MIU802111	O-RING	1	
53	AR21840	HOSE CLAMP	2	
54	19M7775	SCREW	1	M6 X 16
55	MIU803205	LIFTER KIT	1	
56	MIU803206	CLIP	1	
57	MIU803214	BRACKET	1	
58	19M7866	SCREW	2	M8 X 20
59	CH19085	BOLT	4	
60	19M7868	SCREW	2	M8 X 30
61	MIU803298	LIFTER KIT	1	
62	19M7865	SCREW	2	M8 X 16
63	MIU800798	WIRING HARNESS	1	(Wiring Harness, Glow Plug)
64	MIU800816	GLOW PLUG	4	
65	MIU802199	WIRING HARNESS	1	
66	M801227	GUIDE	4	
67	M801228	GUIDE	4	
68	MIU802105	SEAL	4	
69	MIU802106	RETAINER	4	
70	MIA881993	HOSE	1	



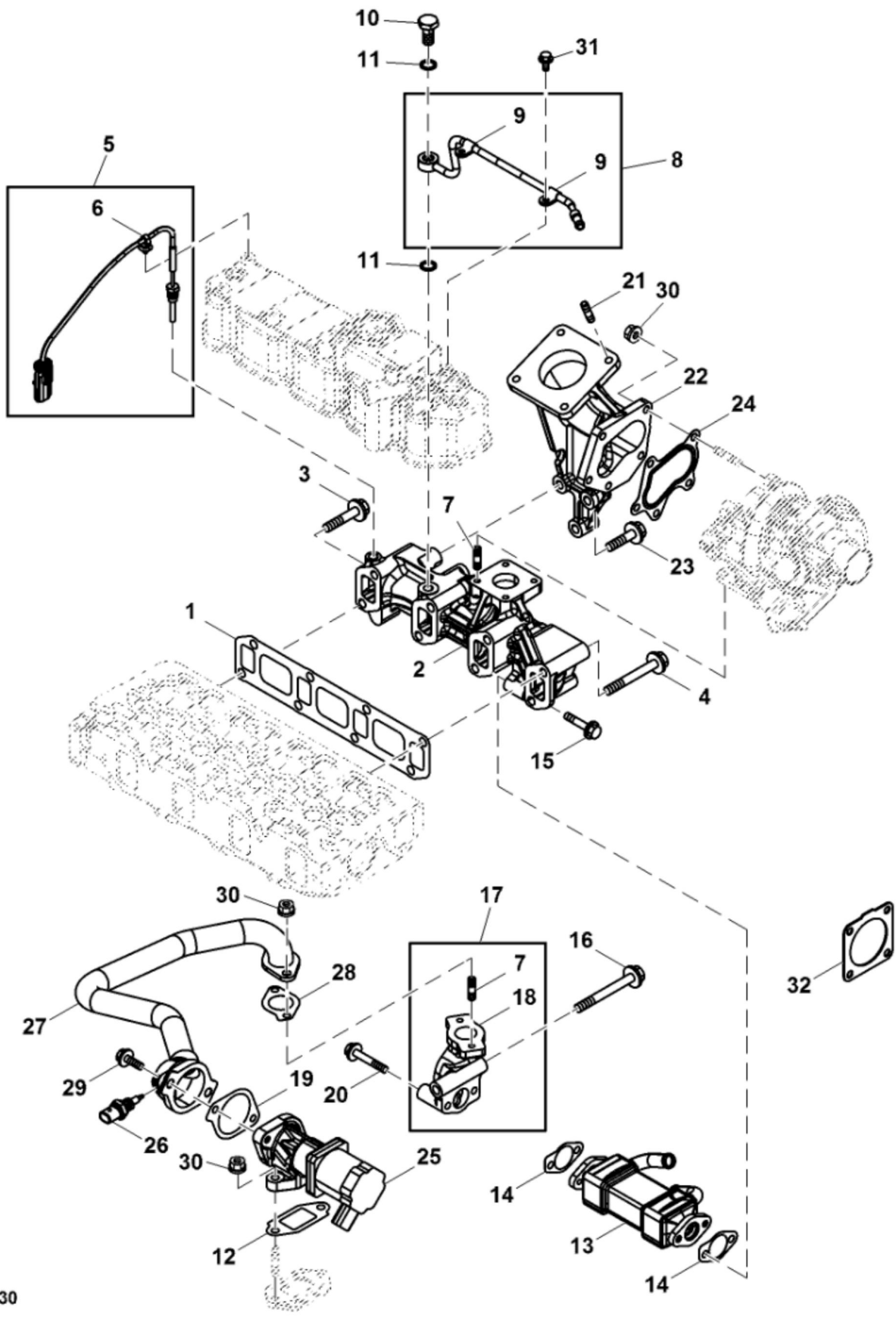
LV274862

KEY	PART NO.	PART NAME	QTY	REMARKS
1	M1A13150	DIESEL ENGINE	1	SUB FOR M1A13033
2	LVU23150	FAN	1	
3	AM876266	FUEL PUMP	1	
4	M89120	BOLT	4	
5	LVU24308	BRACKET	1	
6	19M7815	SCREW	5	M12 X 60
7	LVU25337	SCREW	2	
8	44M7131	DOWEL PIN	2	
9	19M7868	SCREW	2	M8 X 30
10	14M7298	FLANGE NUT	6	M8
11	19M7866	SCREW	2	M8 X 20
12	19M7862	SCREW	2	M6 X 20
13	14M7303	FLANGE NUT	2	M6
14	03M7363	BOLT	2	M8 X 100
15	M132855	PLATE	1	
16	19M7864	SCREW	2	M8 X 12
17	LVU26851	BRACKET	1	
18	LVU12447	TIE BAND	1	
19	LVU26821	ROD	2	
20	14M7299	FLANGE NUT	2	M12
21	M812137	GASKET	1	
22	LVU29587	PLATE	1	
23	19M7808	SCREW	2	M10 X 65
24	28H1532	SPACER	2	0.493" X 0.675" X 2"
25	M1A882963	FILTER KIT	1	
26	MIU803221	FILTER KIT	1	
27	M93032	CONDUIT	AR	



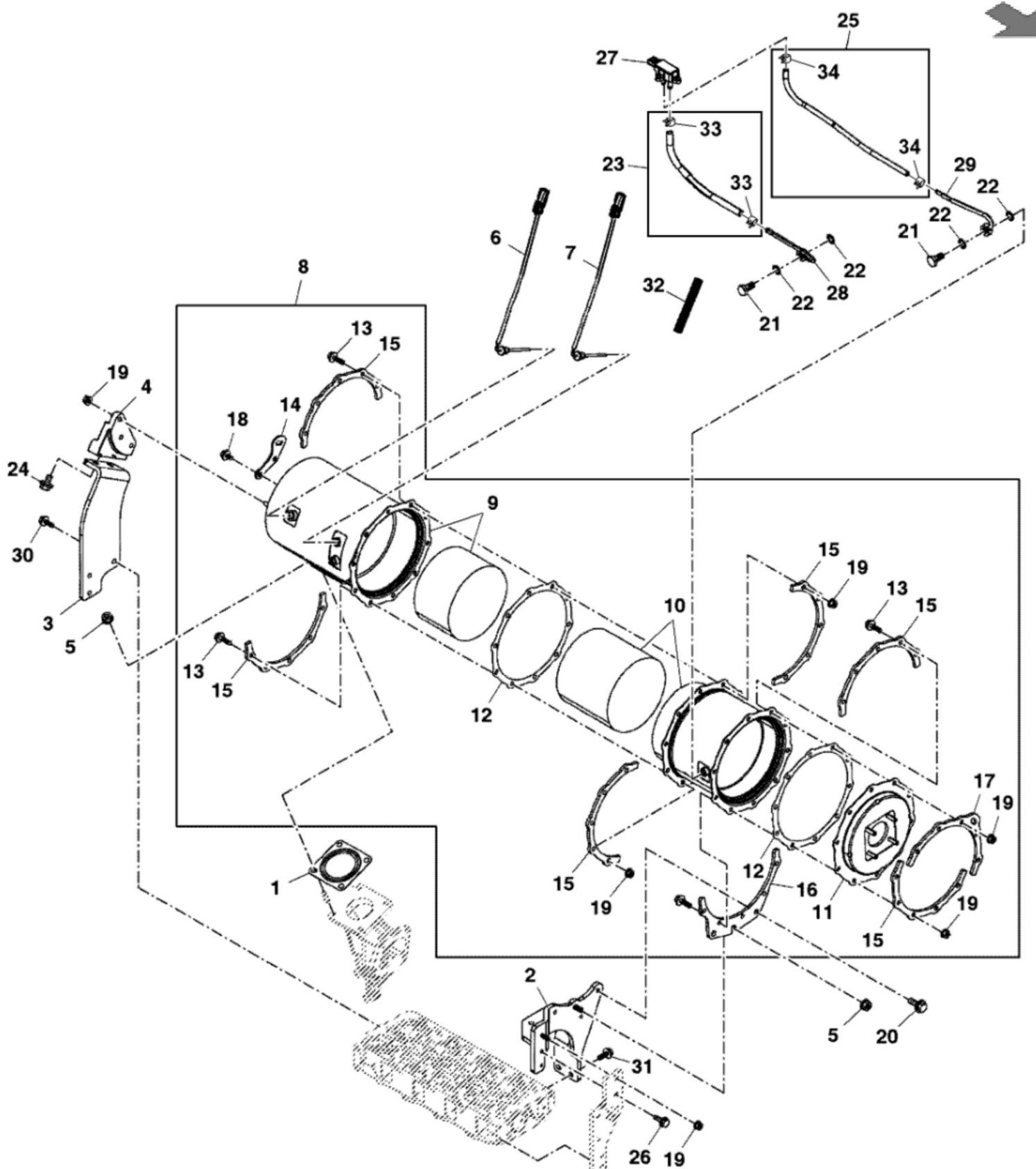
LV294382

KEY	PART NO.	PART NAME	QTY	REMARKS
1	MIU802184	GASKET	1	
2	MIA882032	INTAKE MANIFOLD	1	INCLUDES (4) M801219 AND MIU802208
3	19M8332	CAP SCREW	2	M6 X 90
4	M801219	BOLT	4	
5	MIU802109	SENSOR	1	
6	CH19086	BOLT	6	
7	MIU802228	SUCTION HOSE	1	
8	MIU802229	JOINT KIT	1	
9	M800674	HOSE CLAMP	1	
10	AR21840	HOSE CLAMP	1	
11	MIU802112	GASKET	1	
12	MIA882906	AIR INTAKE	1	
13	MIU802169	AIR INTAKE	1	
14	MIU803169	VALVE	1	
15	MIU803128	JOINT KIT	1	
16	M88046	SEALING WASHER	2	SUB FOR AT211807
17	M811981	SCREW	2	
18	CH16903	BOLT	1	
19	CH15384	STUD	2	
20	MIU802123	SPACER	1	
21	MIU802124	GASKET	1	
22	CH19091	BOLT	1	
23	MIU802234	BOLT	3	
24	14M7298	FLANGE NUT	3	M8, SUB FOR M810186
25	MIU802113	MANIFOLD	1	Inlet Bend
26	MIU802114	THROTTLE KIT	1	
27	MIU802115	GASKET	2	
28	M87820	BOLT	2	SUB FOR 19M7862
29	M800008	BOLT	4	
30	MIU802171	FITTING	1	
31	MIU802208	INTAKE MANIFOLD	1	
32	MIU802233	HOSE FITTING	1	
33	24M7054	WASHER	2	6.400 X 12 X 1.600 mm



LV291430

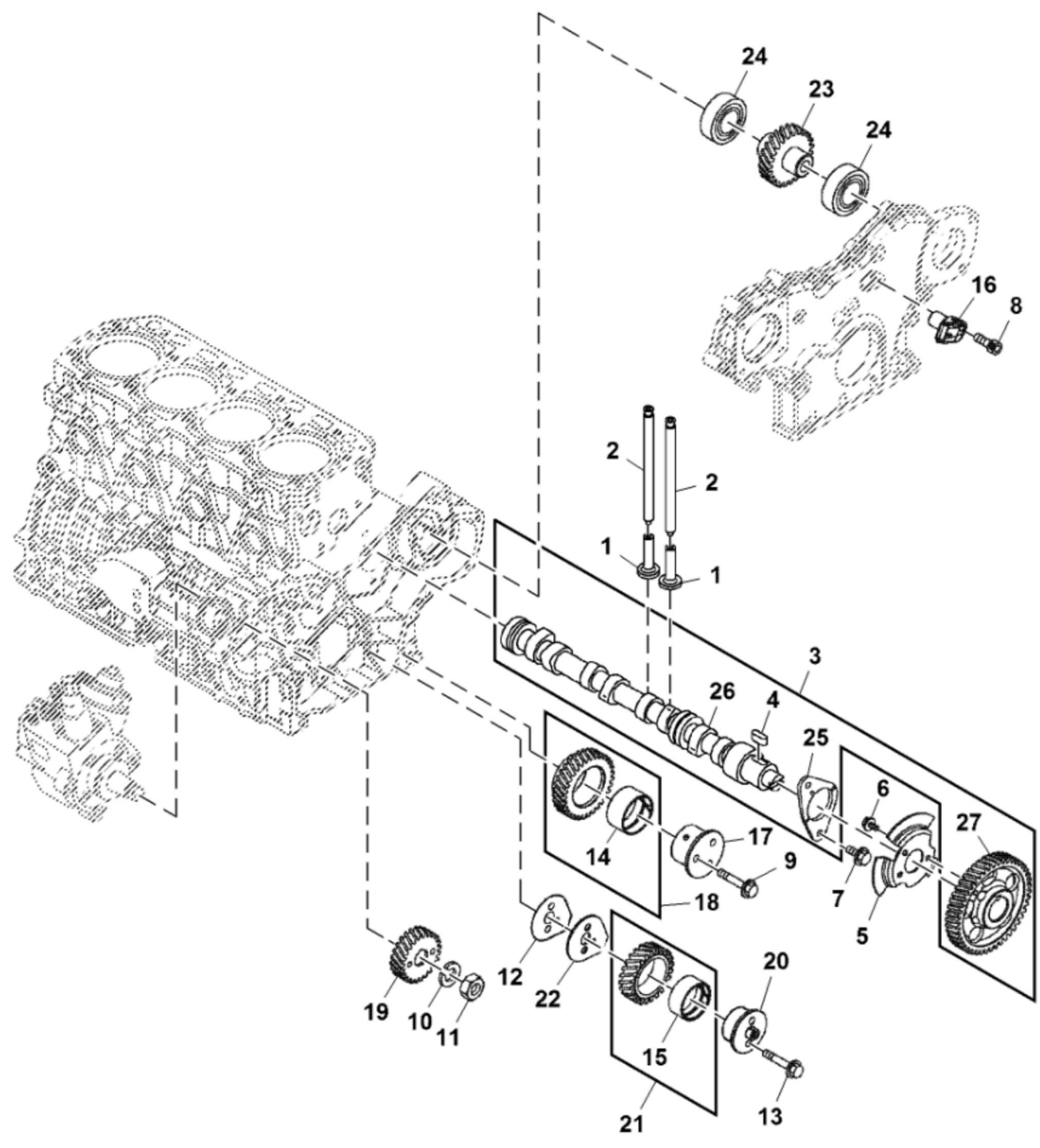
KEY	PART NO.	PART NAME	QTY	REMARKS
1	MIU802185	GASKET	1	
2	MIU802209	EXHAUST MANIFOLD	1	
3	MIU804087	BOLT	1	SUB FOR MIU802170
4	MIU802122	BOLT	7	
5	MIU803301	SENSOR	1	Temperature
6	MIU802166	CLIP	1	
7	M809203	STUD	6	
8	MIA881992	PIPE	1	
9	CH19132	CLAMP	2	
10	MIU802117	BOLT	1	
11	MIU802134	GASKET	2	SUB FOR CH10556
12	MIU802129	GASKET	1	
13	MIU802120	HEAT EXCHANGER	1	
14	MIU802121	GASKET	2	
15	MIU804091	BOLT	1	
16	MIU804037	BOLT	2	
17	MIA881994	PIPE	1	
18	MIU802127	PIPE	1	
19	MIU802128	GASKET	1	
20	CH19086	BOLT	2	
21	MIU802816	STUD	4	
22	MIU802210	EXHAUST PIPE	1	
23	MIU804040	BOLT	3	
24	M811502	GASKET	1	
25	MIU802188	VALVE	1	
26	MIU802125	SENSOR	1	Temperature
27	MIA882014	PIPE	1	
28	MIU801108	GASKET	1	
29	CH19085	BOLT	2	
30	14M7298	FLANGE NUT	9	M8
31	19M7774	SCREW	2	M6 X 12
32	M812137	GASKET	1	



LV291431

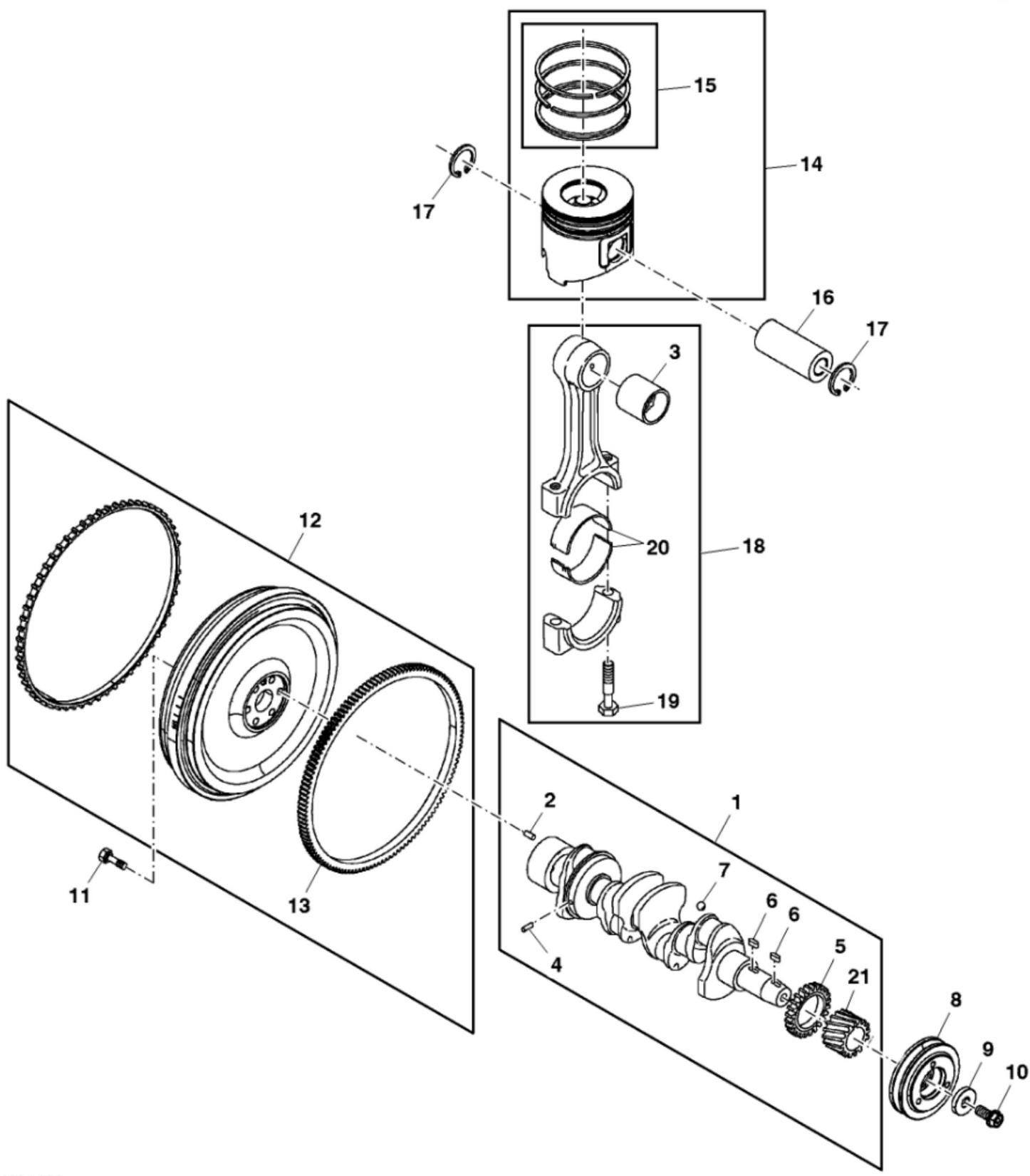


KEY	PART NO.	PART NAME	QTY	REMARKS
1	MIU802082	GASKET	1	
2	MIU803624	CLIP	1	
3	MIU803304	CLIP	1	
4	MIU803305	CLIP	1	
5	M88031	NUT	5	
6	MIU803113	SENSOR	1	Exhaust Temperature
7	MIU803114	SENSOR	1	Exhaust Temperature
8	MIU803308	AIR INTAKE	1	
9	MIU802213	DIESEL OXIDATION CATALYST	1	
10	MIU802216	DIESEL PARTICULATE FILTER	1	
11	MIU802218	FLANGE	1	
12	MIU802868	GASKET	2	
13	MIU802133	BOLT	20	
14	MIU802219	LIFTER KIT	1	
15	MIU802220	CLAMP	6	
16	MIU803302	BRACKET	1	
17	MIU802222	CLAMP	1	
18	CH19780	BOLT	2	
19	14M7298	FLANGE NUT	24	M8
20	CH19129	BOLT	2	
21	MIU802117	BOLT	2	
22	MIU802134	GASKET	4	
23	MIA883062	HOSE	1	
24	MIU802451	BOLT	2	
25	MIA883063	HOSE KIT	1	
26	19M7866	SCREW	2	M8 X 20
27	MIU803775	SENSOR	1	
28	MIA883028	PIPE	1	
29	MIA883029	PIPE	1	
30	19M7865	SCREW	3	M8 X 16
31	CH20047	BOLT	2	
32	R114397	CONDUIT	1	
33	MIU802419	CLIP	2	
34	MIU802420	CLIP	2	



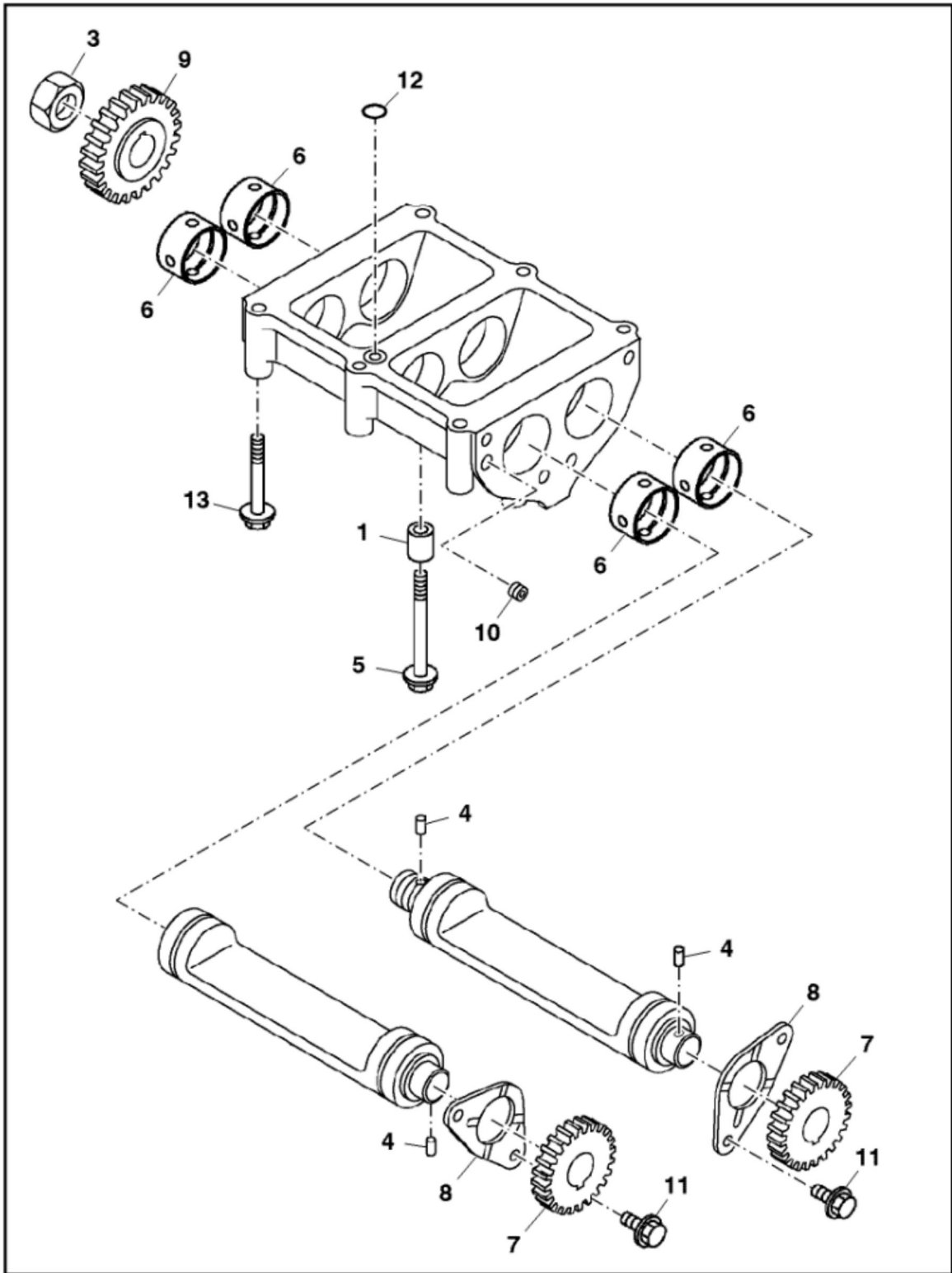
LV291432

KEY	PART NO.	PART NAME	QTY	REMARKS
1	M801046	CAM FOLLOWER	8	
2	M801238	PUSH ROD	8	
3	MIA882015	CAMSHAFT	1	
4	M801045	SHAFT KEY	1	
5	MIU802131	CAMSHAFT	1	
6	19M7300	CAP SCREW	3	M6 X 10
7	CH19780	BOLT	2	
8	M800695	BOLT	1	
9	CH19101	BOLT	3	
10	12M7136	LOCK WASHER	1	18 mm
11	CH15477	NUT	1	
12	MIU802145	GASKET	1	
13	CH19090	BOLT	2	SUB FOR 19M7897
14	MIU800595	BUSHING	1	(Spare Part)
15	MIU802143	GEAR	1	(Spare Part)
16	MIU802132	SENSOR	1	
17	MIU802141	SHAFT	1	
18	MIA881995	GEAR	1	
19	MIU802146	GEAR	1	
20	MIU802142	SHAFT	1	
21	MIA881996	GEAR	1	
22	MIU802144	PLATE	1	
23	AM876339	GEAR	1	
24	CH16081	BALL BEARING	2	
25	M801237	THRUST BEARING	1	
26	AM875386	CAMSHAFT	1	
27	MIU802130	GEAR	1	



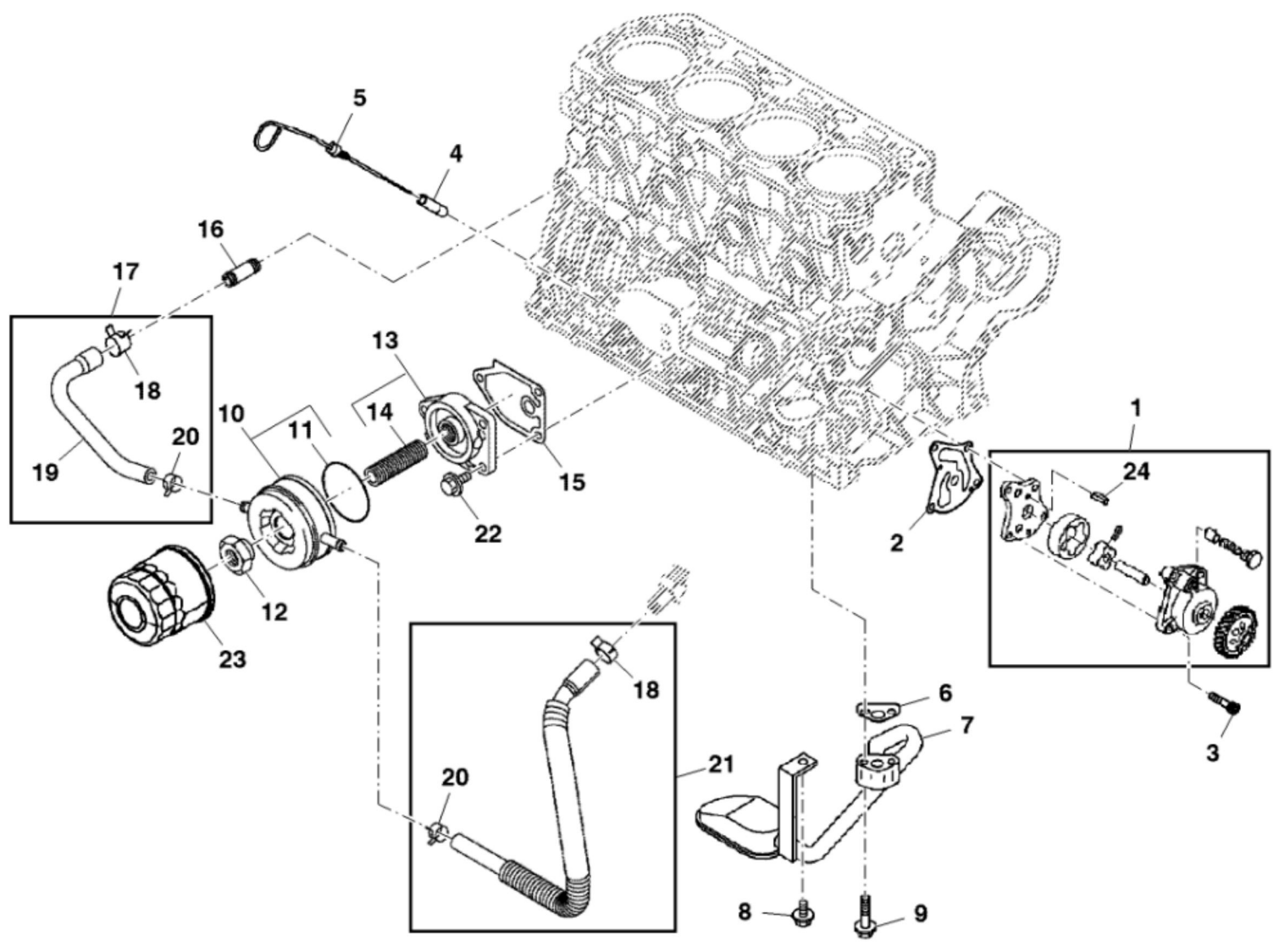
LV291433

KEY	PART NO.	PART NAME	QTY	REMARKS
1	M1A883059	CRANKSHAFT	1	
2	M802255	PIN	1	
3	M801256	BEARING	4	(Spare Parts)
4	CH16793	PIN	1	
5	M810309	GEAR	1	Balancer
6	M801045	SHAFT KEY	2	
7	400R	BALL	4	
8	MIU803291	PULLEY	1	
9	M801055	WASHER	1	
10	CH16798	BOLT	1	
11	CH19291	BOLT	6	
12	M1A883030	FLYWHEEL KIT	1	
13	CH10466	GEAR	1	
14	M1A882009	PISTON KIT	4	
14	M1A882941	PISTON KIT	4	(Over Sized(O.S.=0.25)Part)
15	M1A882010	PISTON RING KIT	4	
15	M1A882942	PISTON RING KIT	4	(Over Sized(O.S.=0.25)Part)
16	M806456	PISTON PIN	4	
17	M806457	CLIP	8	
18	AM875391	CONNECTING ROD	4	
19	CH15483	BOLT	8	
20	M1A880563	BEARING	4	
20	M1A880568	BEARING	4	(Under Sized(U.S.=0.25)Part)
21	MIU800796	GEAR	1	



PULV104923

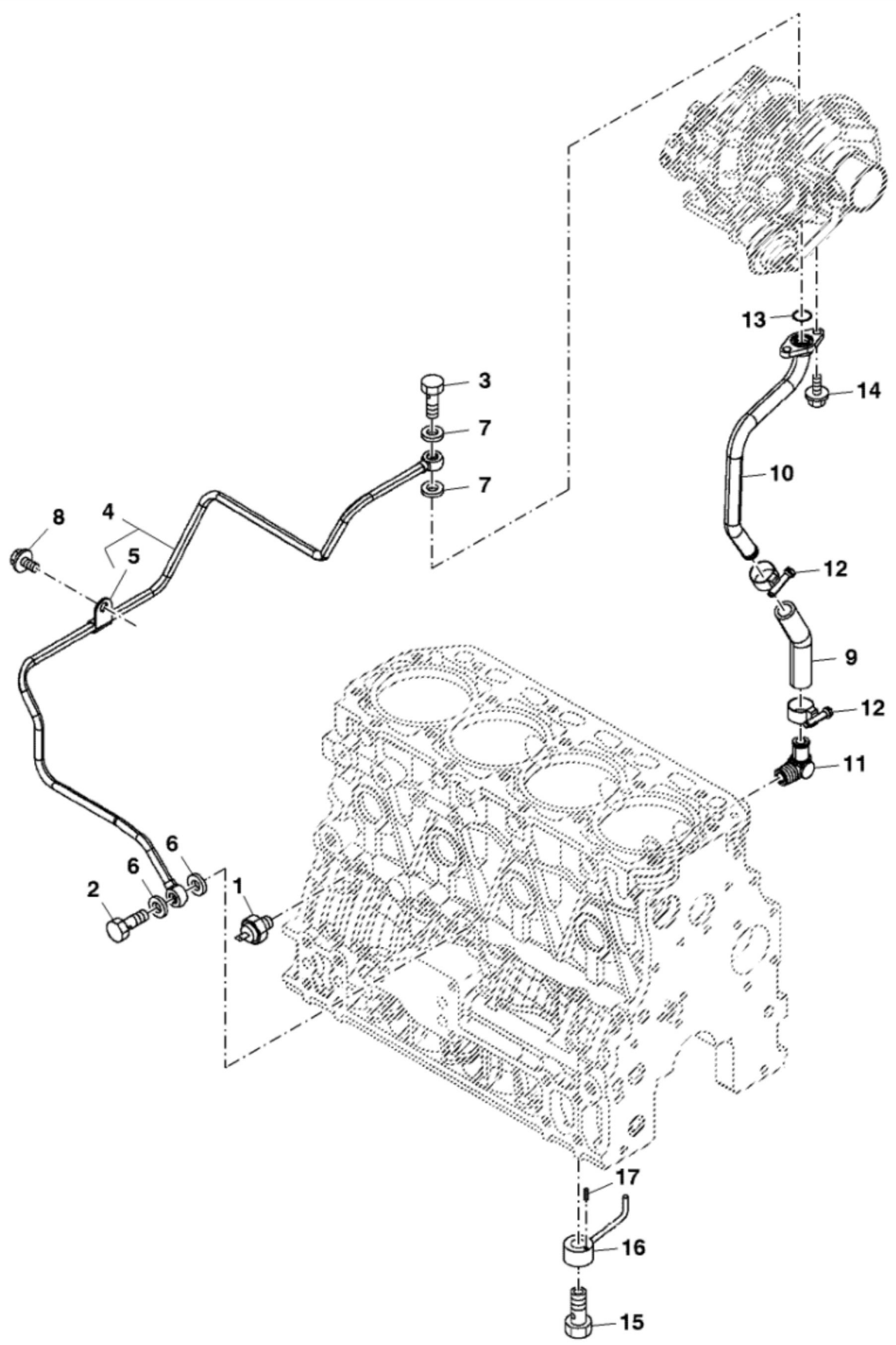
KEY	PART NO.	PART NAME	QTY	REMARKS
1	M804365	PIN	2	
2	AM880310	BALANCER	1	
3	M804364	NIUT	1	
4	CH16793	PIN	3	
5	M87885	BOLT	2	
6	M808705	BUSHING	4	
7	M804370	GEAR	2	
8	M804371	THRUST BEARING	2	
9	M804368	GEAR	1	
10	M808706	PLUG	1	
11	CH19780	BOLT	4	
12	CH10569	PACKING	1	
13	19M7801	SCREW	4	M8 X 60



LV291434



KEY	PART NO.	PART NAME	QTY	REMARKS
1	M1A882011	OIL PUMP	1	
2	MIU802087	GASKET	1	
3	M800676	BOLT	4	
4	CH15495	GUIDE	1	
5	MIU803270	DIPSTICK	1	
6	M811792	GASKET	1	
7	AM877278	OIL PUMP INTAKE	1	
8	19M7864	SCREW	1	M8 X 12
9	CH19090	BOLT	2	
10	M811551	OIL COOLER	1	
11	M812138	O-RING	1	
12	MIU802085	NUT	1	
13	AM882148	BRACKET	1	
14	M811500	BOLT	1	
15	M805830	GASKET	1	
16	T110730	UNIVERSAL JOINT	1	
17	AM882149	PIPE	1	
18	M806791	HOSE CLAMP	2	
19	M811552	PIPE	1	ORDER AM882149
20	M808318	HOSE CLAMP	2	
21	RG61119	HOSE	1	
22	19M7866	SCREW	3	M8 X 20
23	M806419	OIL FILTER	1	
24	CH12293	PIN	1	



PULV104925

**Please write to us.**

**Our email:**

**aservicemanualpdf@yahoo.com**

**Please go to the homepage  
to get the full manual, or  
other brand PDF manuals.**

**Home Site:**

**aservicemanualpdf.com**

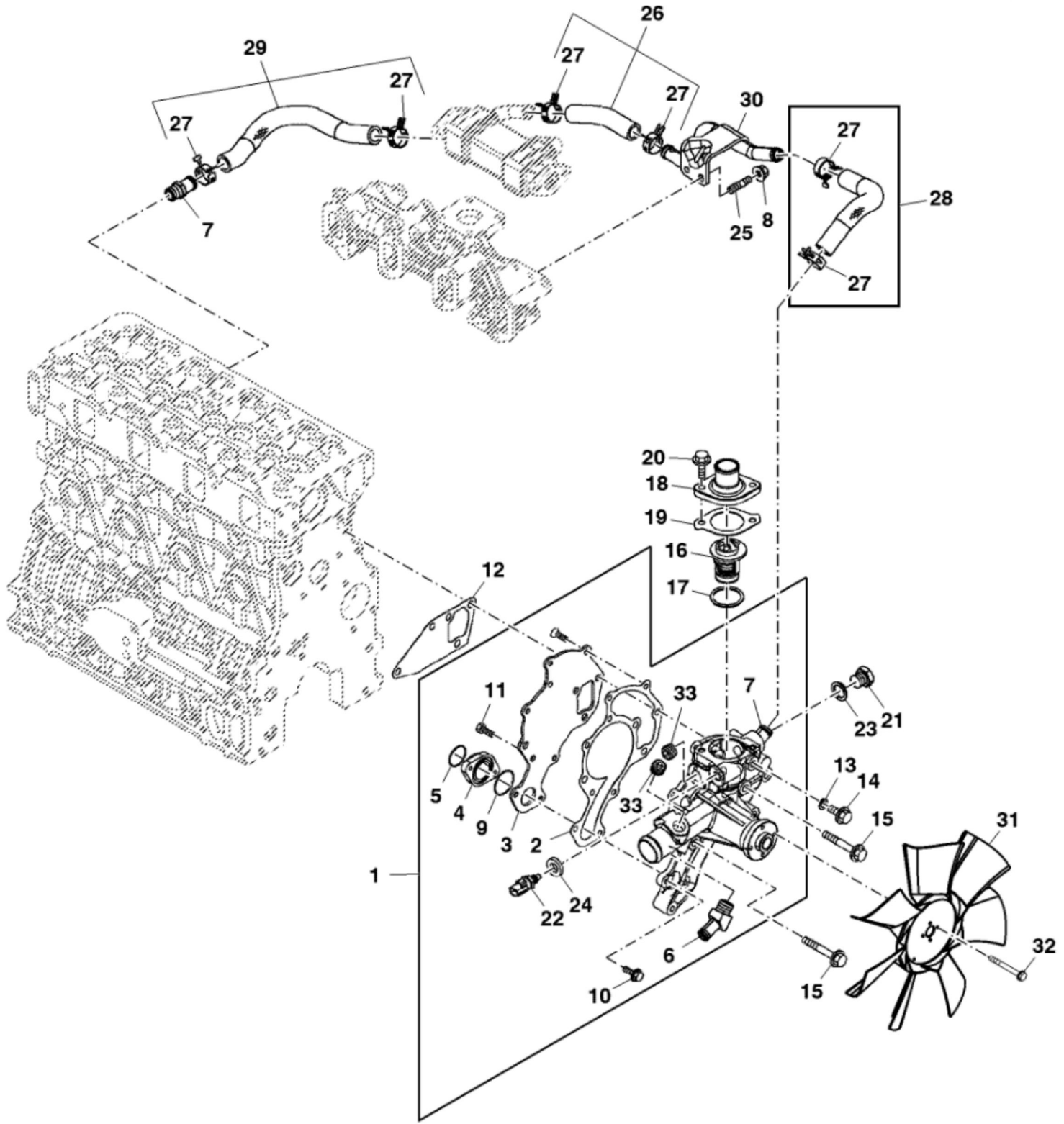
**Thank you very much for your reading. Please Click Here. Then Get COMPLETE MANUAL. NO WAITING**



**NOTE:**

**If there is no response to click on the link above, please download the PDF document first and then click on it.**

KEY	PART NO.	PART NAME	QTY	REMARKS
1	MIU802079	SWITCH	1	
2	CH10361	BOLT	1	
3	CH12857	BOLT	1	
4	MIA882035	PIPE KIT	1	
5	CH12900	CLAMP	1	
6	M806437	WASHER	2	
7	CH10555	WASHER	2	
8	19M7864	SCREW	1	M8 X 12
9	MIU802084	JOINTER	1	
10	MIU802230	PIPE	1	
11	M811562	ELBOW FITTING	1	
12	T110427	CLAMP	2	
13	M811795	O-RING	1	
14	19M7774	SCREW	2	M6 X 12
15	T110724	CHECK VALVE	4	INCLUDES (4) T111560 AND (4) M811591
15	T111560	RING	4	
15	M811591	BALL	4	
16	T110725	NOZZLE	4	
17	CH15575	PIN	4	



LV291436

KEY	PART NO.	PART NAME	QTY	REMARKS
1	M1A883277	WATER PUMP	1	
2	M810823	GASKET	1	
3	MIU800236	PLATE	1	
4	M801758	FLANGE	1	
5	M810636	O-RING	1	
6	MIU803295	PIPE ELBOW	1	
7	MIU801820	UNIVERSAL JOINT	2	
8	14M7298	FLANGE NUT	2	M8
9	MIU800684	PACKING	1	
10	19M7862	SCREW	2	M6 X 20
11	CH10578	BOLT	3	
12	M809668	GASKET	1	
13	CH10554	PACKING	1	
14	19M7864	SCREW	1	M8 X 12
15	CH19090	BOLT	4	
16	M811034	THERMOSTAT	1	
17	M805835	GASKET	1	
18	CH15535	COVER	1	
19	M805834	GASKET	1	
20	19M7867	SCREW	2	M8 X 25
21	M800312	PLUG	1	
22	MIU801119	THERMOMETER	1	
23	CH13814	WASHER	1	
24	M806438	WASHER	1	
25	M808645	STUD	2	
26	M1A882017	PIPE	1	
27	MIU801823	HOSE CLAMP	6	
28	M1A883109	PIPE KIT	1	(Hose Between Water Pump and EGR Cooler) SUB FOR M1A884106
29	M1A883031	PIPE KIT	1	
30	M1A883032	HOSE	1	(Pipe, Water EGR Cooler) SUB FOR M1A804123
31	LVU23150	FAN	1	
32	M89120	BOLT	4	
33	M811345	DRAIN PLUG	3	