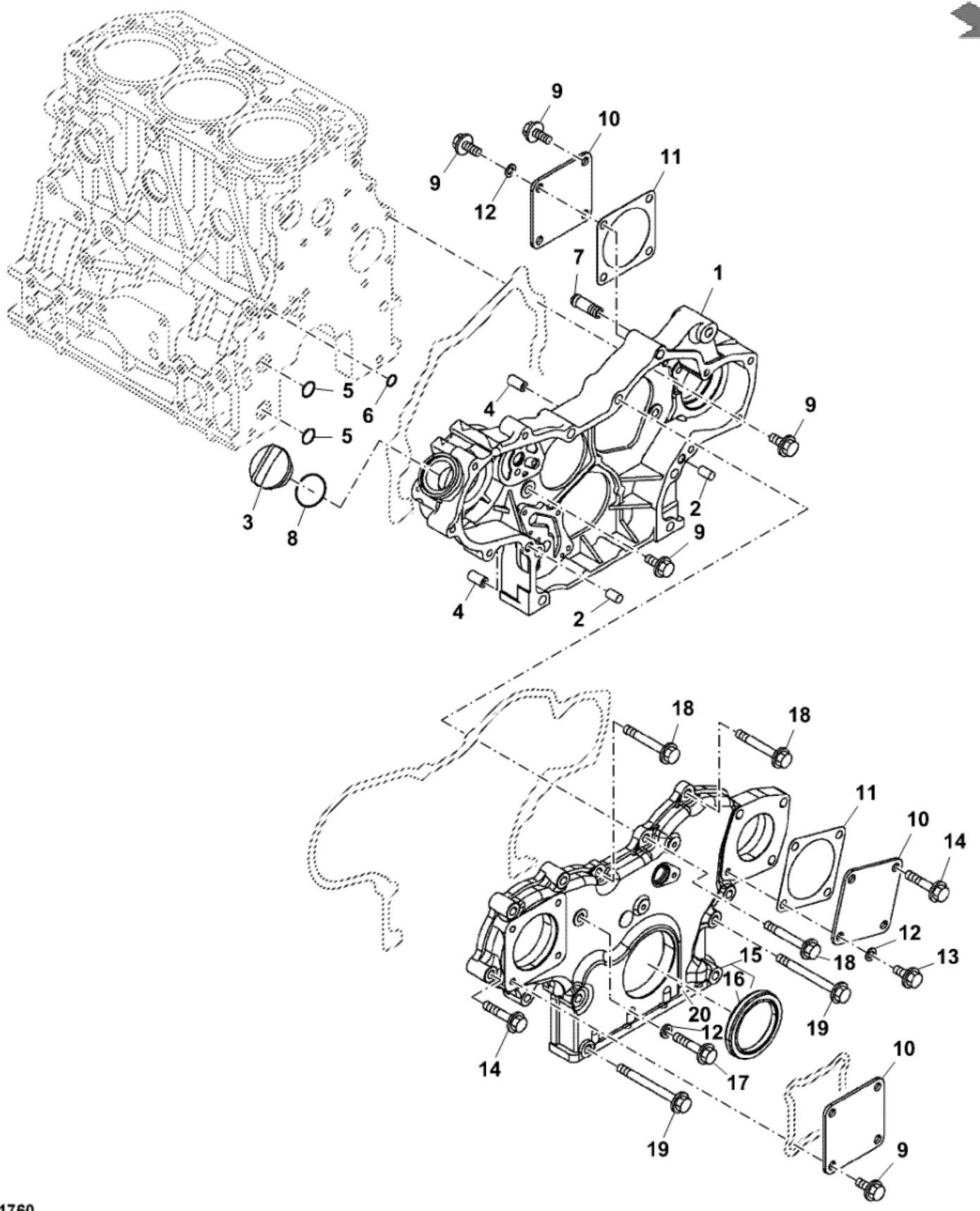


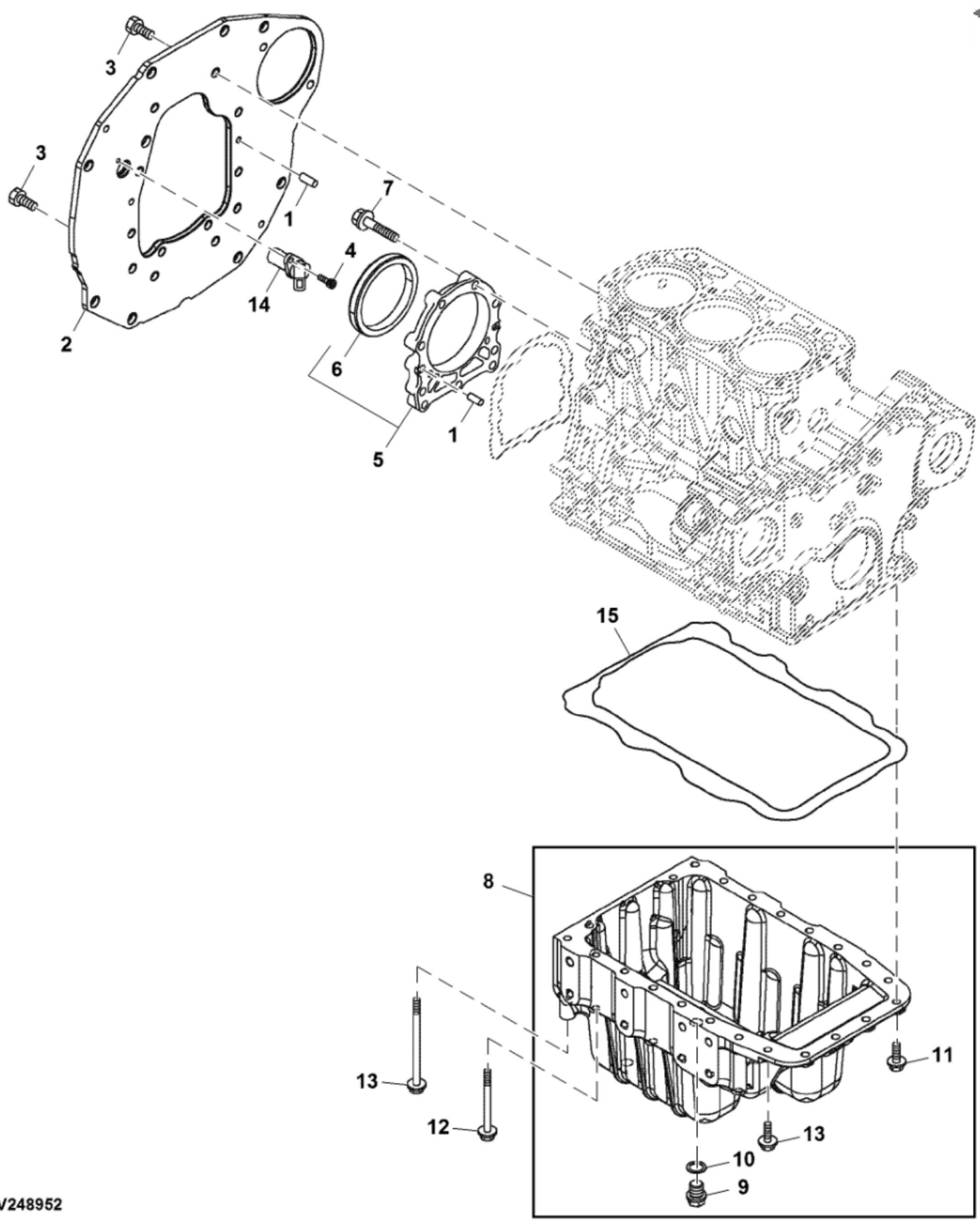
PULV104805

KEY	PART NO.	PART NAME	QTY	REMARKS
1	MIA882899	CYLINDER BLOCK	1	
2	M809565	DRAIN PLUG	1	
3	15H562	PIPE PLUG	1	1"
4	M801189	BOLT	8	
5	M801190	BEARING CAP	1	
6	M801191	BEARING CAP	3	
7	MIU800573	CAMSHAFT	1	
8	30M7023	PLUG	6	
9	CH10314	PLUG	1	
10	CH10335	PLUG	3	
11	M87801	PLUG	1	
12	MIA880555	BEARING	2	
12	MIA882809	BEARING KIT	1	(Over Sized(O.S.=0.25)Part)
13	M801186	BOLT	14	
14	MIA882898	GASKET KIT	1	
15	MIA880554	BEARING	4	(Spare Part)
15	MIA880550	BEARING	4	(Under Sized(U.S.=0.25)Part)
16	MIA13160	DIESEL ENGINE	1	Not Illustrated MARKED 3TNV86CHT-MJT; SUB FOR MIA12014



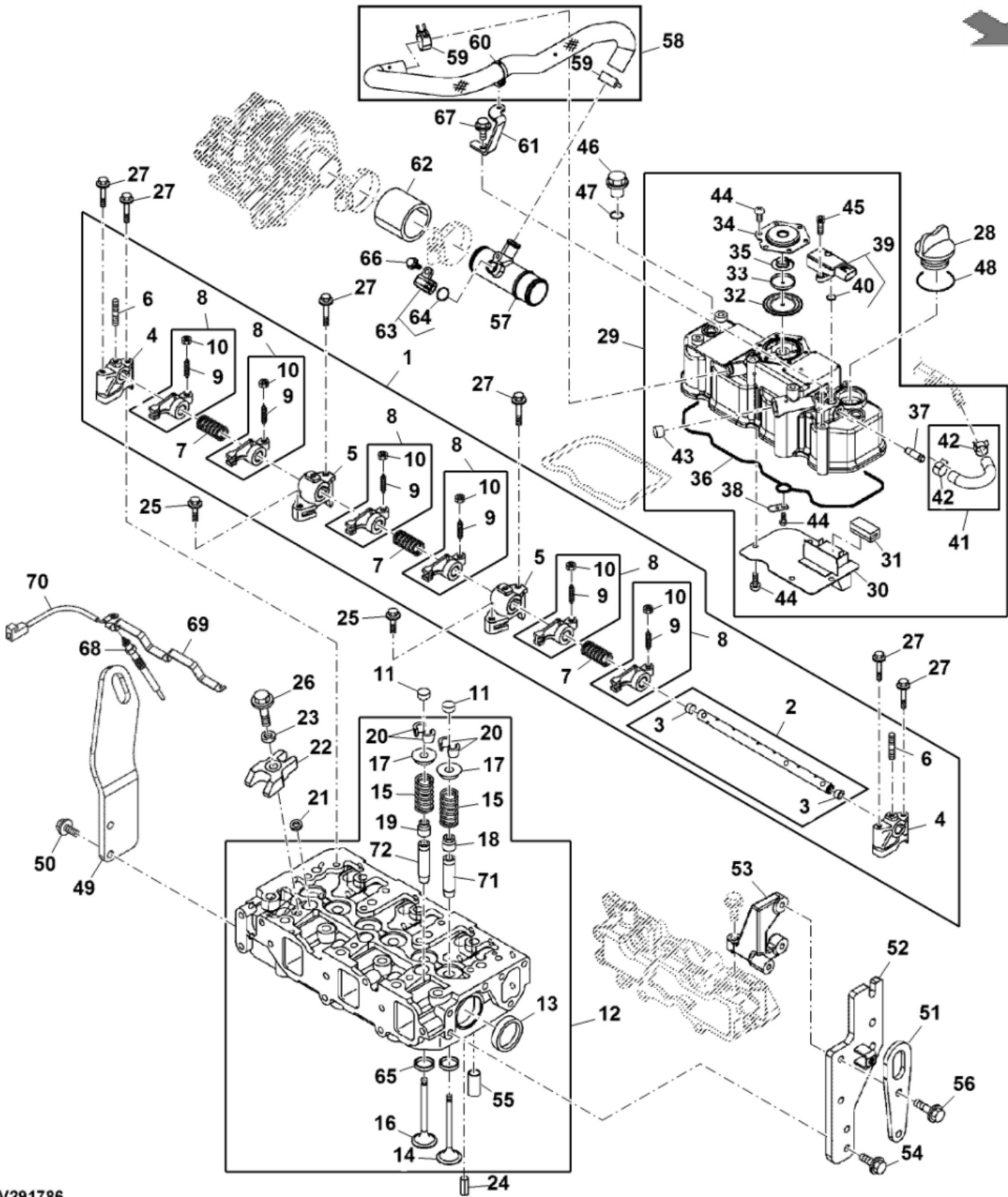
LV291760

KEY	PART NO.	PART NAME	QTY	REMARKS
1	MTU803239	GEAR CASE	1	
2	M802255	PIN	2	
3	M805710	CAP	1	
4	M800974	PIPE	2	
5	M810185	O-RING	2	
6	M809204	O-RING	1	
7	T110730	UNIVERSAL JOINT	1	
8	M805711	PACKING	1	
9	19M7865	SCREW	11	M8 X 16
10	CH18096	COVER	3	
11	MTU802578	GASKET	2	
12	M803523	WASHER	3	
13	CH19780	BOLT	1	
14	19M7897	SCREW	8	M8 X 35
15	MIA882962	COVER KIT	1	
16	M811078	SEAL	1	
17	19M7897	SCREW	1	M8 X 35
18	19M7801	SCREW	3	M8 X 60
19	CH19136	BOLT	4	
20	MTU803224	COVER	1	



LV248952

KEY	PART NO.	PART NAME	QTY	REMARKS
1	M802255	PIN	4	
2	MIU803208	FLANGE	1	
3	M800011	BOLT	8	
4	19M8553	SCREW	1	M6 X 16
5	AM875375	CASE	1	
6	M805278	SEAL	1	
7	M808308	BOLT	9	
8	AM882497	RESERVOIR	1	
9	T111565	PLUG	2	
10	M811568	WASHER	2	
11	CH19085	BOLT	6	
12	CH19136	BOLT	12	
13	T111562	BOLT	4	
14	MIU802138	SENSOR	1	
15	M64850	SEALANT	1	



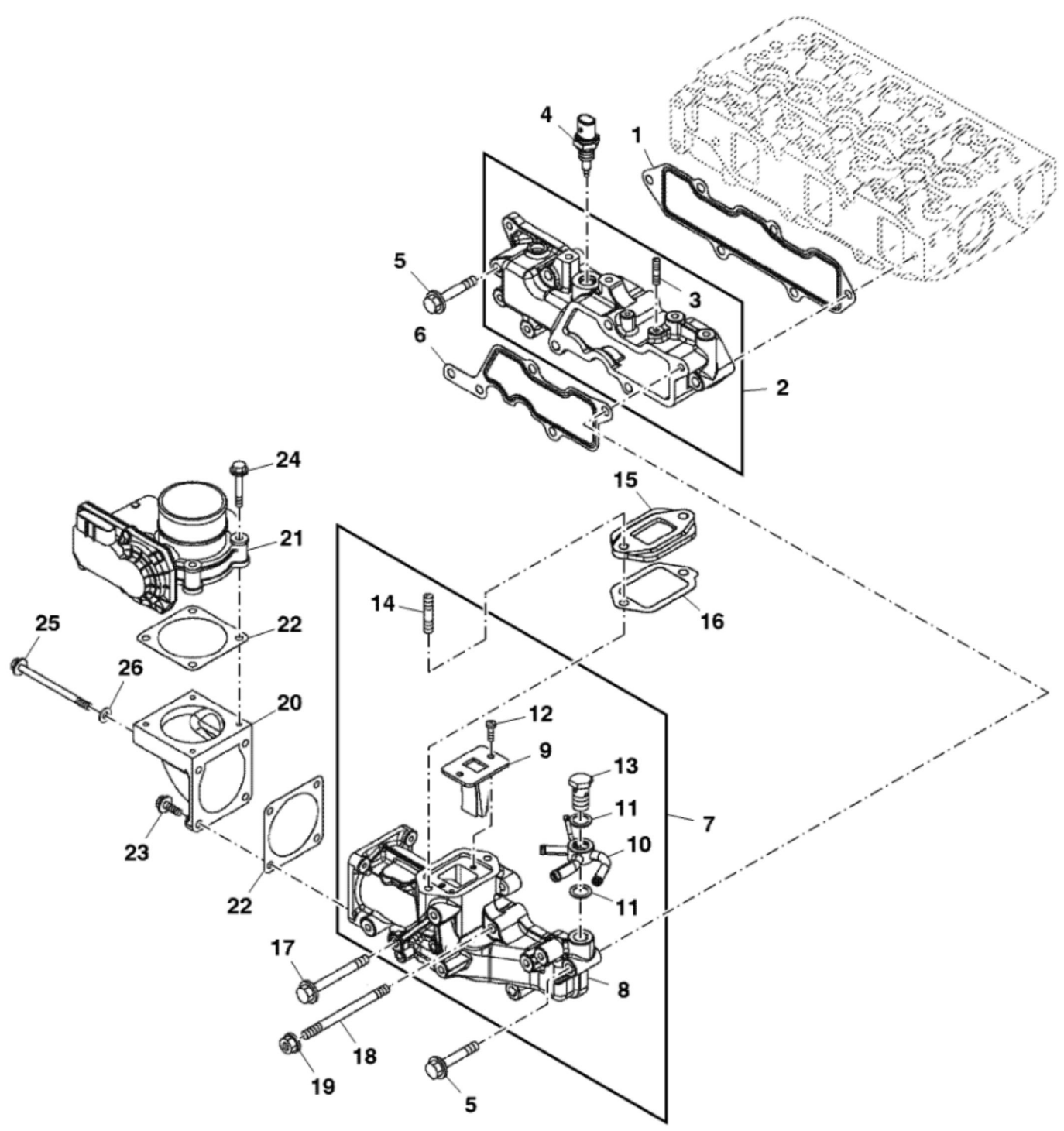
LV291786

KEY	PART NO.	PART NAME	QTY	REMARKS
1	AM882086	ROCKER ARM SHAFT	1	
2	M811426	ROCKER ARM SHAFT	1	
3	M800002	PLUG	2	
4	M811050	SUPPORT	2	
5	M811051	SUPPORT	2	
6	M810585	STUD	3	
7	M801025	SPRING	3	
8	AM881820	ROCKER ARM	6	
9	M801027	SCREW	6	
10	M801028	NUT	6	
11	M801224	CAP	6	
12	MIA882902	CYLINDER HEAD	1	
13	CH16751	PLUG	2	
14	M811557	INTAKE VALVE	3	
15	M801222	SPRING	6	
16	T110649	EXHAUST VALVE	3	
17	M801223	RETAINER	6	
18	CH10450	SEAL	3	
19	MIU802105	SEAL	3	
20	AM878862	RETAINER KIT	6	
21	MIU802096	GASKET	3	
22	MIU802106	RETAINER	3	
23	M811080	WASHER	3	
24	CH18079	SPRING PIN	2	
25	CH19085	BOLT	3	
26	19M7979	SCREW	3	M8 X 55
27	CH19086	BOLT	6	
28	M805710	CAP	1	
29	MIA883745	VALVE COVER	1	
30	M811085	PLATE	1	
31	M801032	DEFLECTOR	1	
32	MIU801017	BREATHER	1	
33	MIU801018	PLATE	1	
34	MIU801019	PLATE	1	
35	MIU801020	DISK SPRING	1	



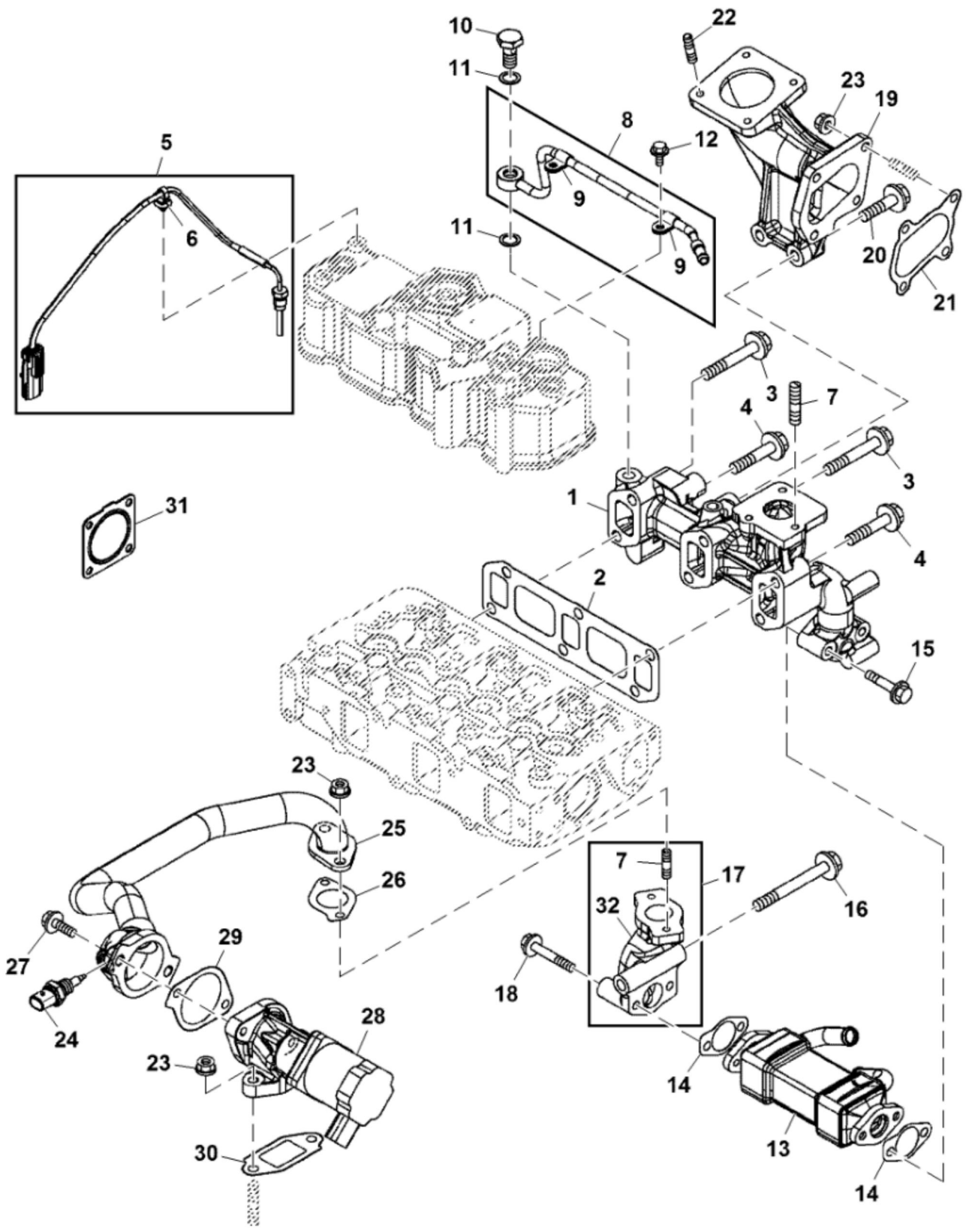
KEY	PART NO.	PART NAME	QTY	REMARKS
36	MIU803087	GASKET	1	
37	MIU802104	UNIVERSAL JOINT	1	
38	MIU800897	SPRING	1	
39	MIU803774	SENSOR	1	
40	MIU802110	O-RING	2	
41	MIA881993	HOSE	1	
42	MIU802119	CLIP	1	
43	T111544	PLUG	1	
44	M807374	SCREW	11	
45	19M8553	SCREW	2	M6 X 16
46	CH10348	NUT	3	
47	CH10568	PACKING	3	
48	M805711	PACKING	1	
49	MIU803197	LIFTER KIT	1	
50	19M7865	SCREW	2	M8 X 16
51	MIU803205	LIFTER KIT	1	
52	MIU803206	CLIP	1	
53	MIU803214	BRACKET	1	
54	19M7866	SCREW	2	M8 X 20
55	M801217	PLUG	1	
56	19M7868	SCREW	2	M8 X 30
57	MIU803226	BREATHER	1	
58	MIA882987	BREATHER KIT	1	
59	ET14230	HOSE CLAMP	2	
60	MIU802166	CLIP	1	
61	MIU803228	BRACKET	1	
62	MIU803146	HOSE	1	
63	MIU802108	TEMPERATURE SENSOR	1	
64	MIU802111	O-RING	1	
65	T110653	VALVE SEAT	1	
66	19M7775	SCREW	1	M6 X 16
67	CH20047	BOLT	1	
68	MIU800816	GLOW PLUG	3	
69	MIU803100	GLOW PLUG	1	
70	MIU800798	GLOW PLUG	1	
71	M801227	GUIDE	3	(Spare Parts)

KEY	PART NO.	PART NAME	QTY	REMARKS
72	M801228	GUIDE	3	(Spare Parts)



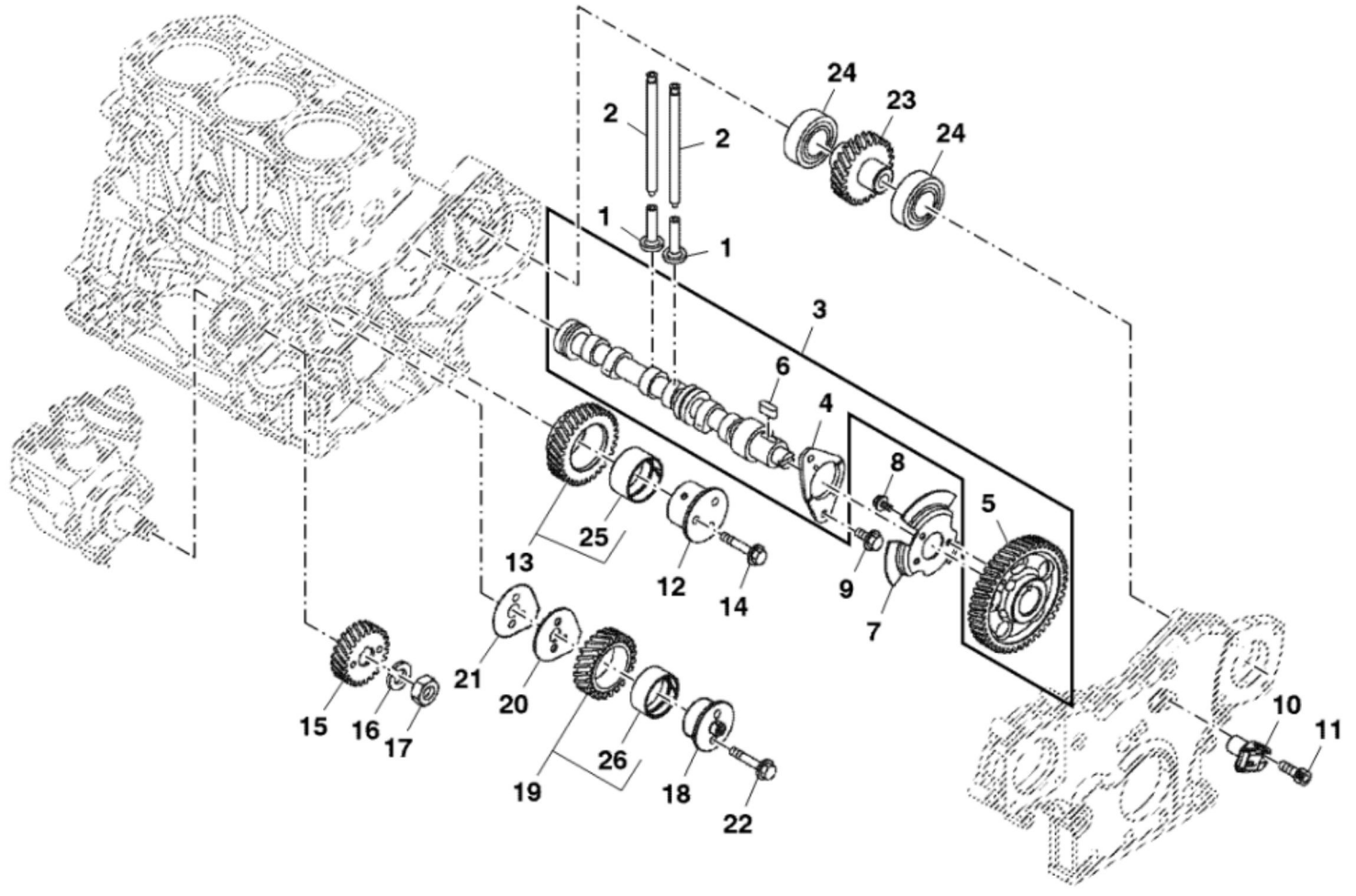
LV291761

KEY	PART NO.	PART NAME	QTY	REMARKS
1	MIU803090	GASKET	1	
2	MIA882903	INTAKE MANIFOLD	1	
3	M801219	BOLT	2	
4	MIU802109	SENSOR	1	
5	CH19086	BOLT	4	
6	MIU802112	GASKET	1	
7	MIA882906	AIR INTAKE	1	
8	MIU802169	AIR INTAKE	1	
9	MIU803169	VALVE	1	
10	MIU803128	JOINT KIT	1	
11	M88046	SEALING WASHER	2	
12	M811981	SCREW	2	
13	CH16903	BOLT	1	
14	CH15384	STUD	2	
15	MIU802123	SPACER	1	
16	MIU802124	GASKET	1	
17	CH19091	BOLT	1	
18	MIU802234	BOLT	3	
19	14M7298	FLANGE NUT	3	M8
20	MIU802113	MANIFOLD	1	
21	MIU802114	THROTTLE KIT	1	
22	MIU802115	GASKET	2	
23	19M7862	SCREW	2	M6 X 20
24	19M7797	SCREW	4	M6 X 40
25	19M8332	CAP SCREW	2	M6 X 90
26	24M7054	WASHER	2	6.400 X 12 X 1.600 mm



LV291762

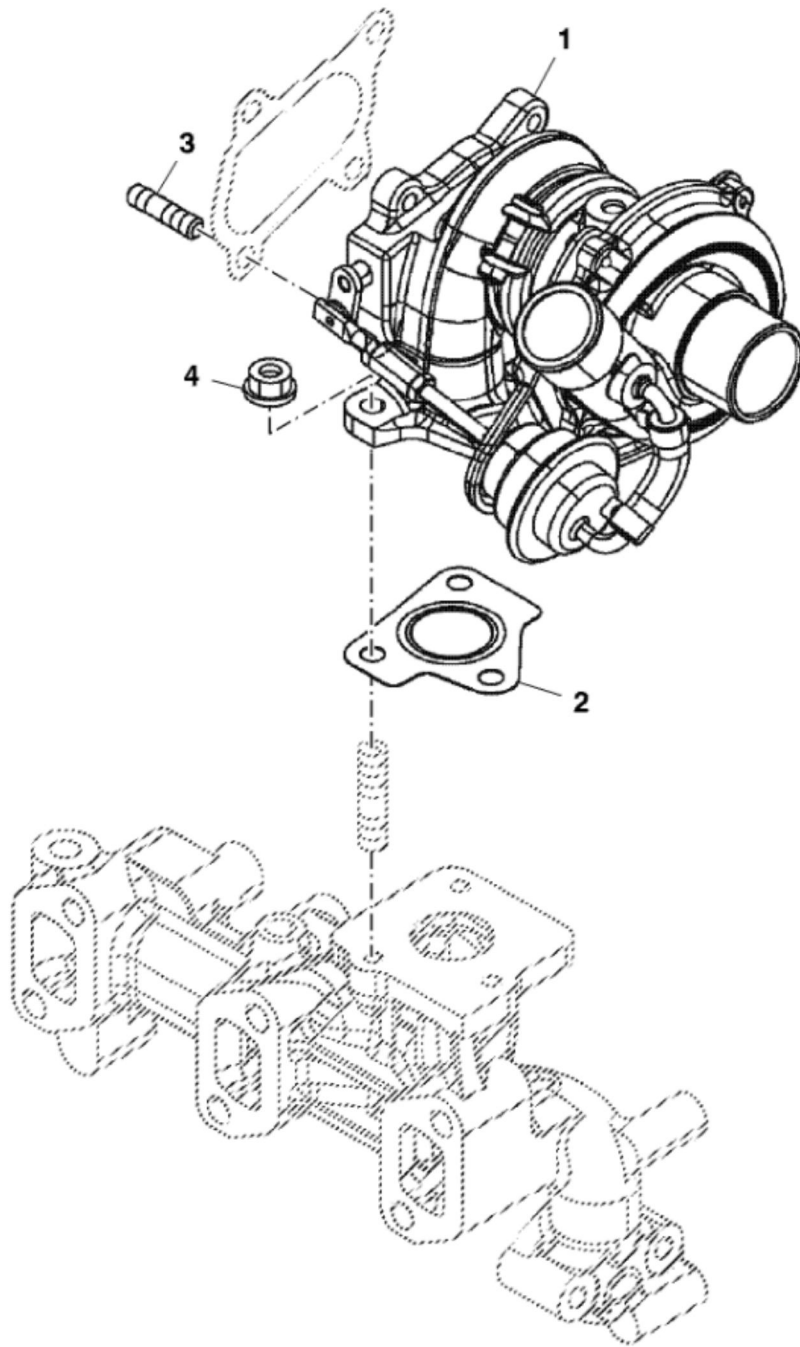
KEY	PART NO.	PART NAME	QTY	REMARKS
1	MIU803241	EXHAUST MANIFOLD	1	
2	MIU803091	GASKET	1	
3	MIU804089	BOLT	4	
4	MIU804087	BOLT	2	SUB FOR MIU802170
5	MIU803230	TEMPERATURE SENSOR	1	
6	MIU802166	CLIP	1	
7	M809203	STUD	5	
8	MIA881992	PIPE	1	
9	CH19132	CLAMP	2	
10	MIU802117	BOLT	1	
11	MIU802134	GASKET	2	SUB FOR CH10556
12	19M7774	SCREW	2	M6 X 12
13	MIU802120	HEAT EXCHANGER	1	
14	MIU802121	GASKET	2	
15	MIU804037	BOLT	2	
16	MIU804091	BOLT	1	
17	MIA881994	PIPE	1	
18	CH19086	BOLT	2	
19	MIU803229	EXHAUST PIPE	1	
20	MIU804040	BOLT	2	
21	MIU803150	GASKET	1	
22	M808645	STUD	4	
23	14M7298	FLANGE NUT	8	M8
24	MIU802125	SENSOR	1	
25	MIA882951	PIPE	1	
26	MIU801108	GASKET	1	
27	CH19085	BOLT	2	
28	MIU803092	VALVE	1	
29	MIU802128	GASKET	1	
30	MIU802129	GASKET	1	
31	M812137	GASKET	1	
32	MIU802127	PIPE	1	



PULV104812

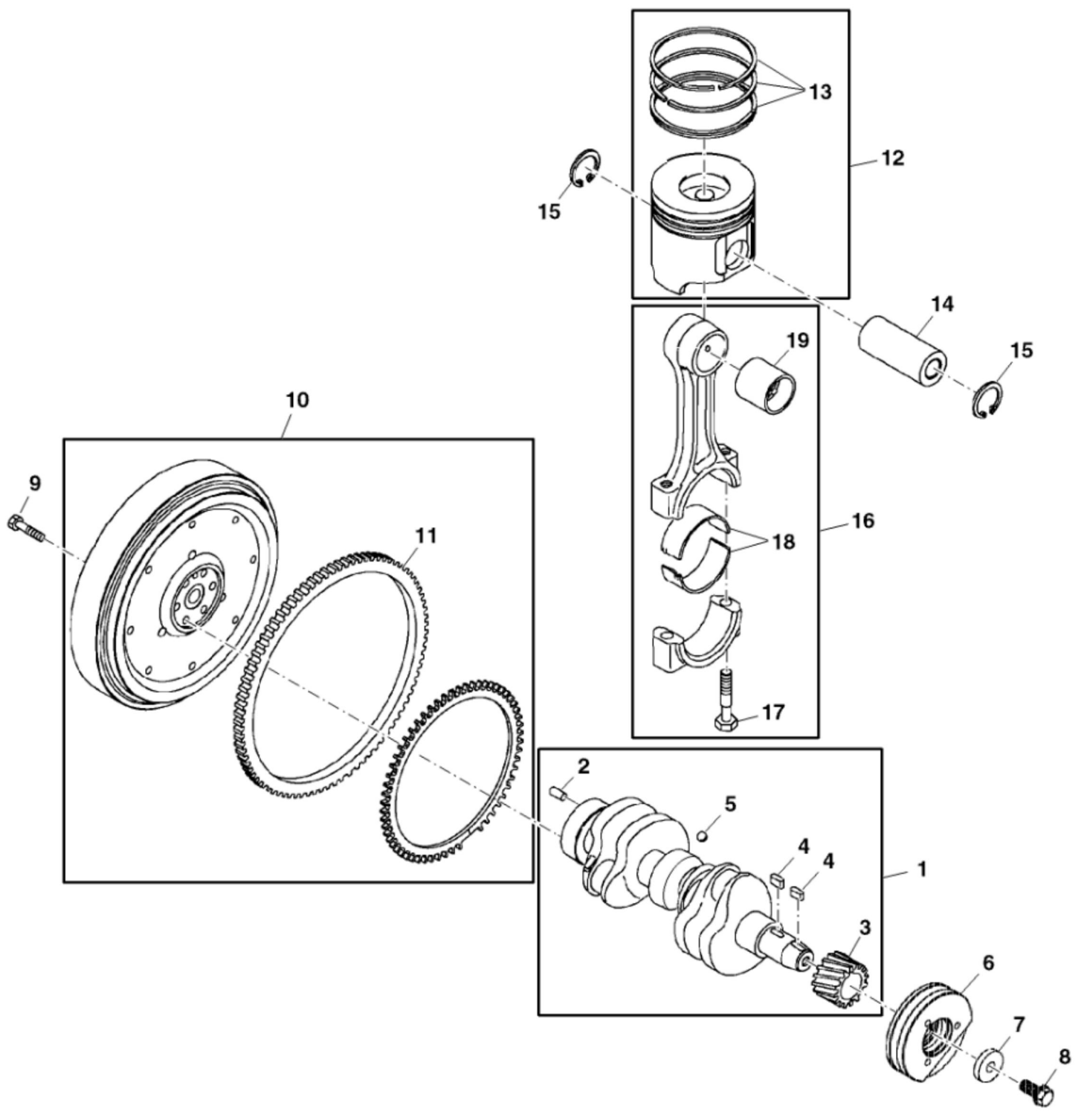
KEY	PART NO.	PART NAME	QTY	REMARKS
1	M801046	CAM FOLLOWER	6	
2	M801238	PUSH ROD	6	
3	MIA882836	CAMSHAFT	1	
4	M801237	THRUST BEARING	1	
5	MIU802130	GEAR	1	
6	M801045	SHAFT KEY	1	
7	MIU802131	CAMSHAFT	1	
8	19M7300	CAP SCREW	3	M6 X 10
9	CH19780	BOLT	2	
10	MIU802132	SENSOR	1	
11	19M8553	SCREW	1	M6 X 16
12	MIU802141	SHAFT	1	
13	MIA881995	GEAR	1	
14	CH19101	BOLT	3	
15	MIU802146	GEAR	1	
16	12M7136	LOCK WASHER	1	18 mm
17	CH15477	NIUT	1	
18	MIU802142	SHAFT	1	
19	MIA881996	GEAR	1	
20	MIU802144	PLATE	1	
21	MIU802145	GASKET	1	
22	19M8317	SCREW	2	M8 X 40
23	M802619	GEAR	1	ORDER AM876339
23	AM876339	GEAR	1	
24	CH16081	BALL BEARING	2	
25	MIU800595	GEAR	1	(Spare Part)
26	MIU802143	GEAR	1	(Spare Part)





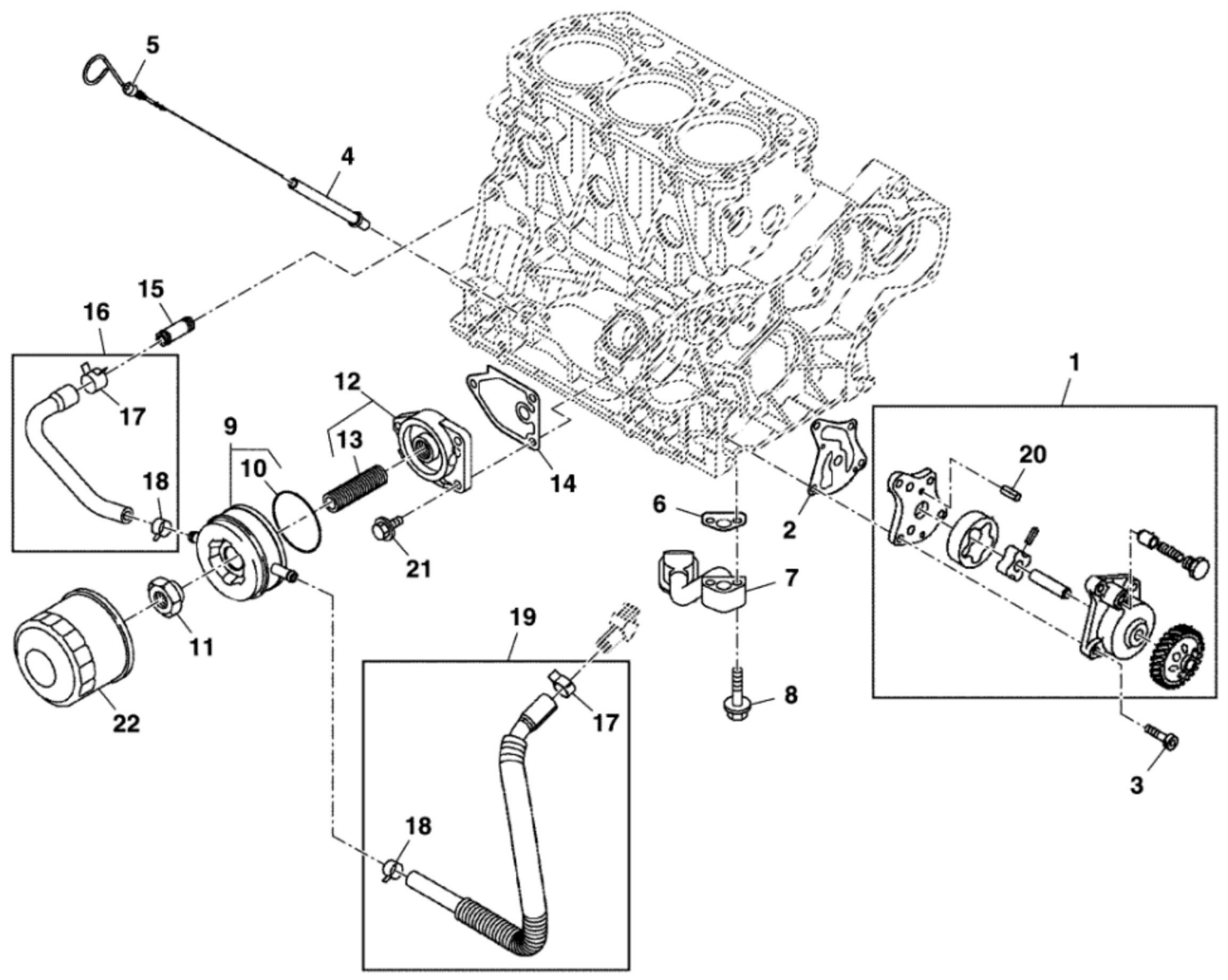
PULV104813

KEY	PART NO.	PART NAME	QTY	REMARKS
1	M1A882904	TURBINE	1	
2	M1U803149	GASKET	1	
3	M808645	STUD	4	
4	14M7298	FLANGE NUT	3	M8



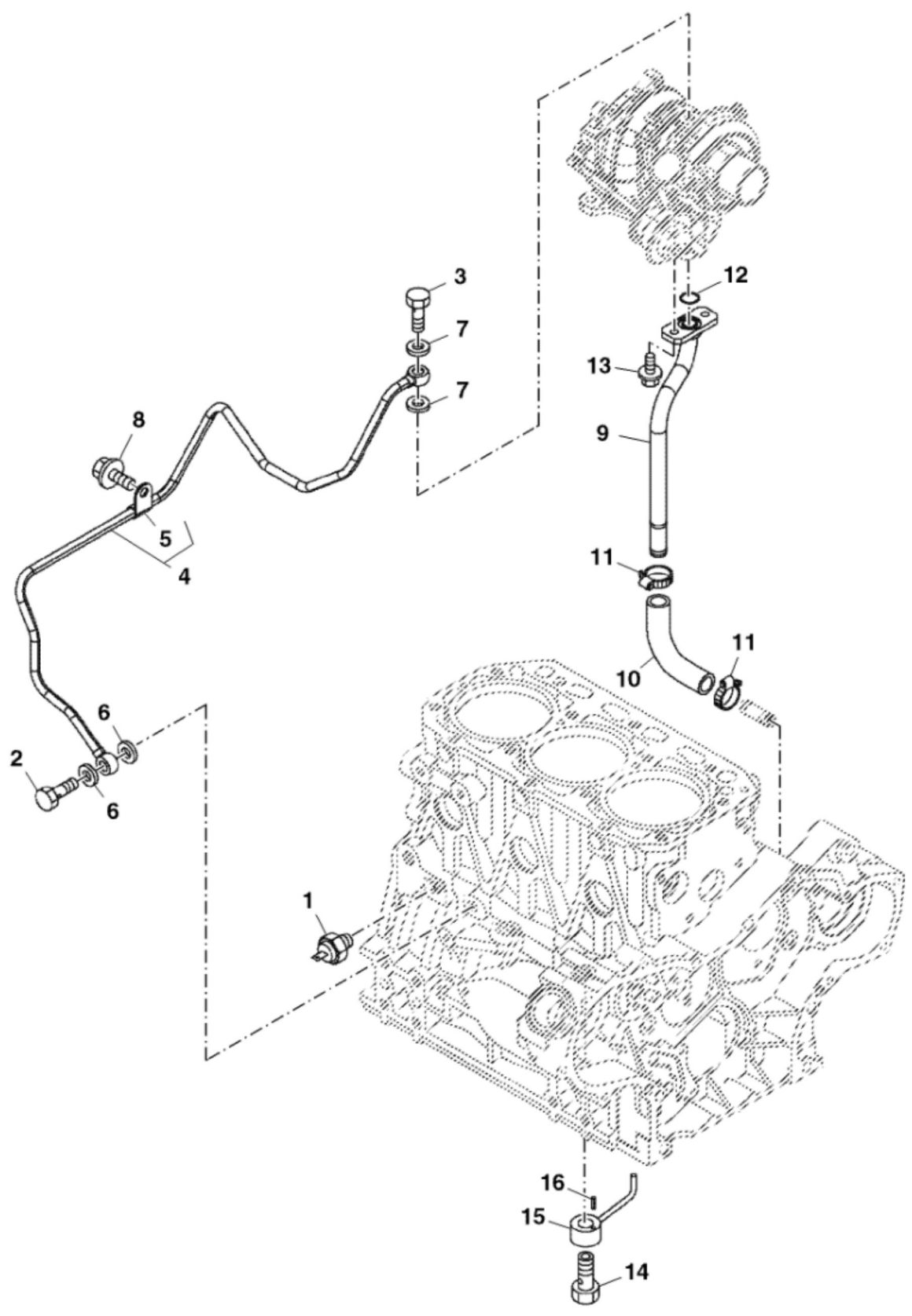
PULV104814

KEY	PART NO.	PART NAME	QTY	REMARKS
1	MIA880874	CRANKSHAFT	1	
2	M802255	PIN	1	
3	MIU800796	GEAR	1	
4	M801045	SHAFT KEY	2	
5	400R	BALL	3	
6	M811654	PULLEY	1	
7	M801055	WASHER	1	
8	CH16798	BOLT	1	
9	CH19291	BOLT	6	
10	MIA883628	FLYWHEEL KIT	1	SUB FOR MIA882955
11	CH10466	GEAR	1	
12	MIA882009	PISTON KIT	3	
12	MIA882941	PISTON KIT	3	(Over Sized (O.S=0.25) Part)
13	MIA882010	PISTON RING KIT	3	
13	MIA882942	PISTON RING KIT	3	(Under Sized (U.S=0.25) Part)
14	M806456	PISTON PIN	3	
15	M806457	CLIP	6	
16	AM875391	CONNECTING ROD	3	
17	CH15483	BOLT	6	
18	MIA880563	BEARING	3	
18	MIA880568	BEARING	3	(Over Sized (O.S=0.25) Part)
19	M801256	BEARING	3	(Spare Parts)



LV228379

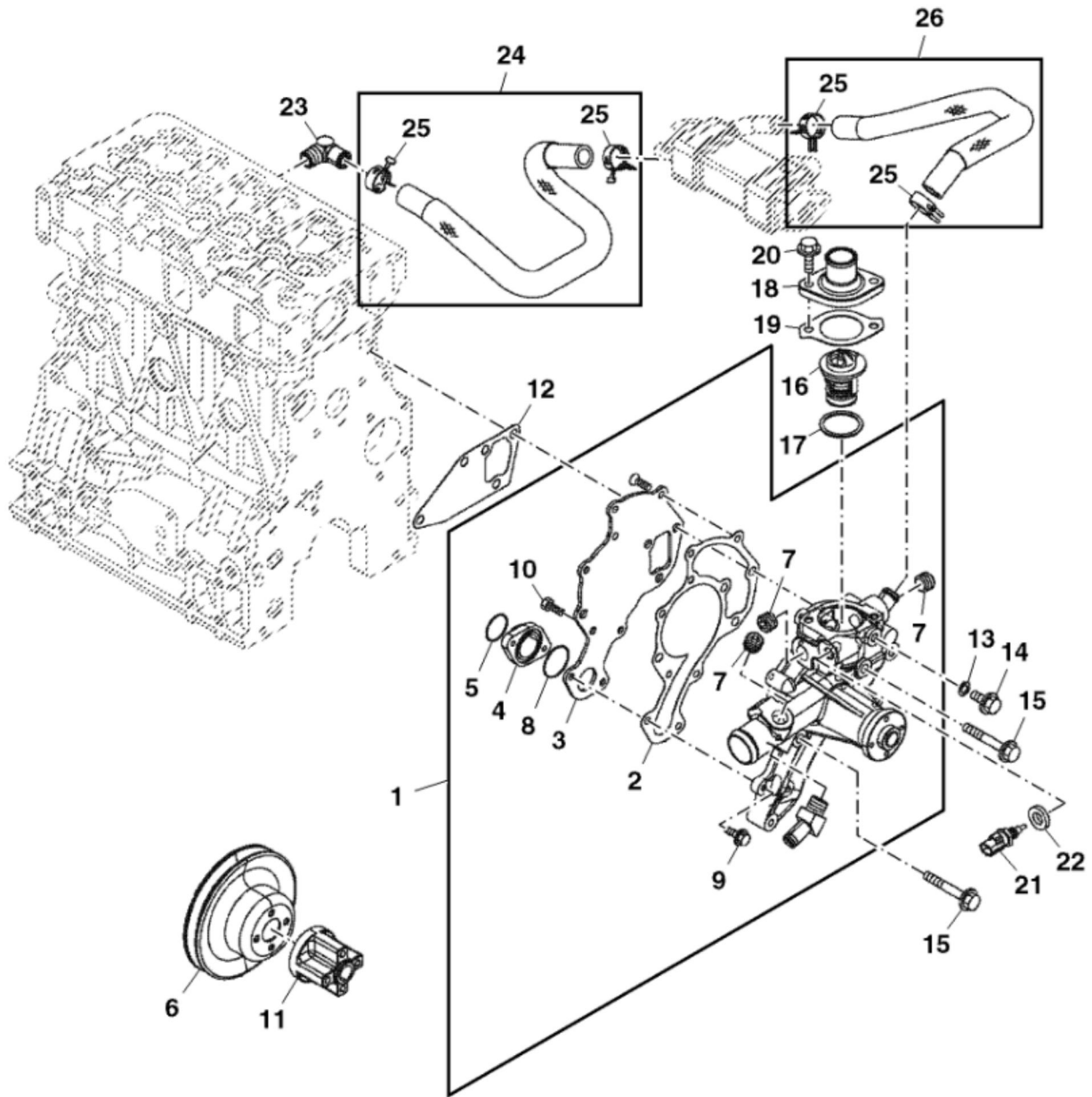
KEY	PART NO.	PART NAME	QTY	REMARKS
1	M1A882011	OIL PUMP	1	
2	MIU802087	GASKET	1	
3	M800676	BOLT	4	
4	M811441	DIPSTICK TUBE	1	
5	MIU803196	DIPSTICK	1	
6	M811792	GASKET	1	
7	AM882249	STRAINER	1	
8	19M7897	SCREW	2	M8 X 35
9	M811551	OIL COOLER	1	
10	M812138	O-RING	1	
11	MIU802085	NIUT	1	
12	AM882148	BRACKET	1	
13	M811500	BOLT	1	
14	M805830	GASKET	1	
15	T110730	UNIVERSAL JOINT	1	
16	AM882149	PIPE	1	
17	M806791	HOSE CLAMP	2	
18	M808318	HOSE CLAMP	2	
19	RG61119	HOSE	1	
20	CH12293	PIN	2	
21	19M7866	SCREW	3	M8 X 20
22	M806419	OIL FILTER	1	



PULV104816

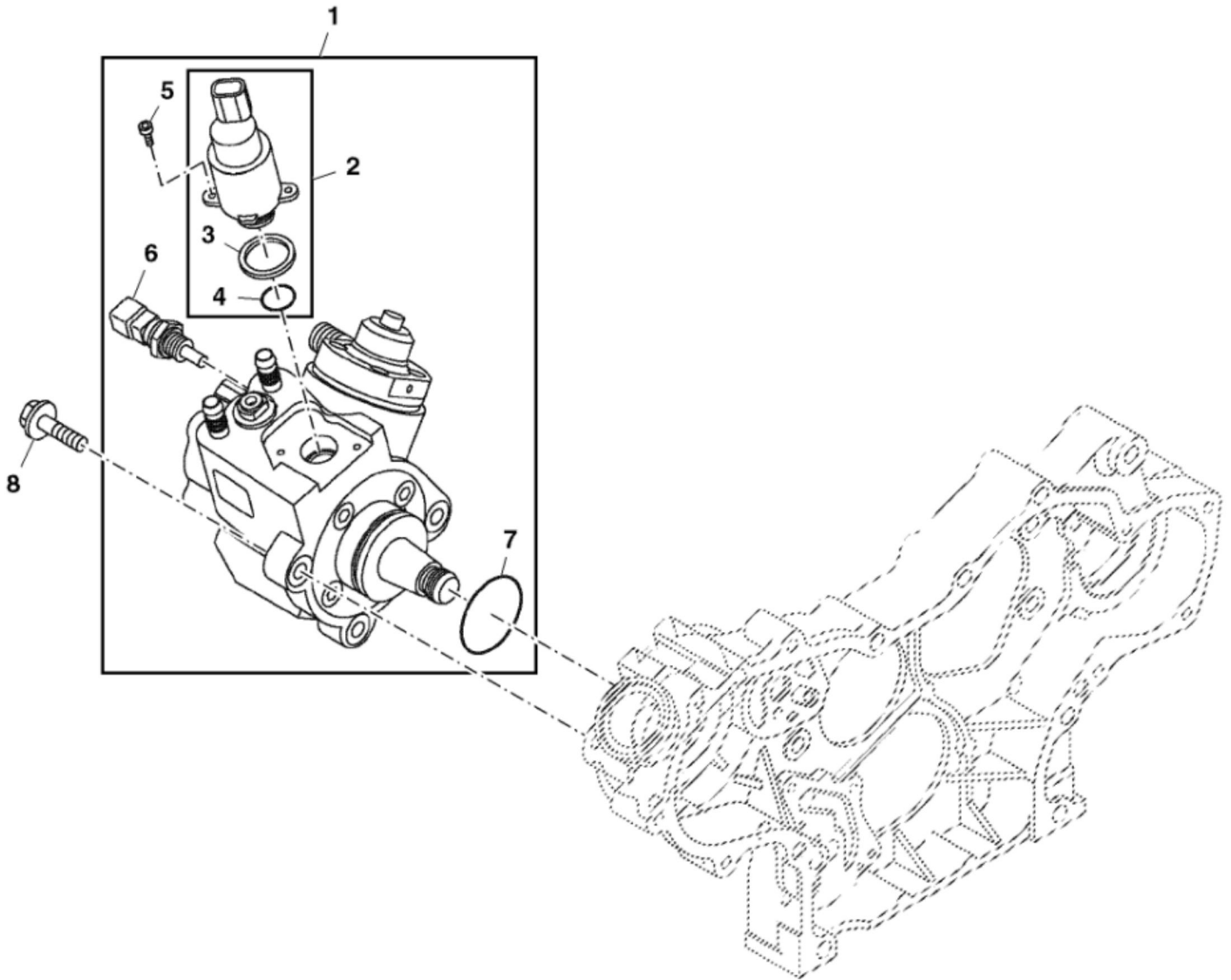
KEY	PART NO.	PART NAME	QTY	REMARKS
1	MIU802079	SWITCH	1	
2	CH10361	BOLT	1	
3	CH12857	BOLT	1	
4	MIA883563	PIPE	1	SUB FOR MIA882905
5	CH12900	CLAMP	1	
6	M806437	WASHER	2	
7	CH10555	WASHER	2	
8	19M7864	SCREW	1	M8 X 12
9	MIU803247	PIPE	1	
10	M811497	UNIVERSAL JOINT	1	
11	T110427	CLAMP	2	
12	M811795	O-RING	1	
13	19M7775	SCREW	2	M6 X 16
14	T110724	CHECK VALVE	3	
15	T110725	NOZZLE	3	
16	CH15575	PIN	3	





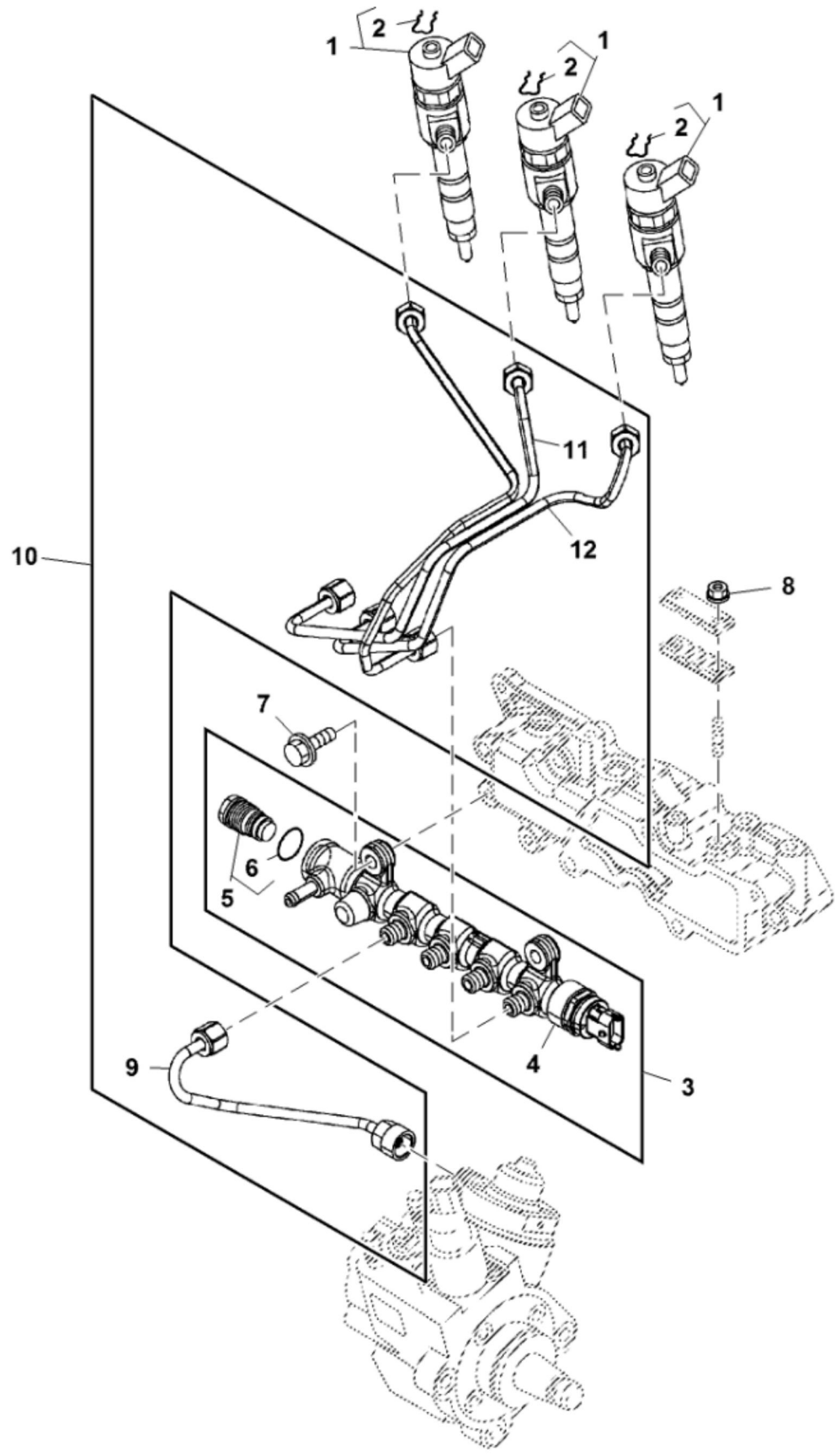
PULV104817A

KEY	PART NO.	PART NAME	QTY	REMARKS
1	M1A883277	WATER PUMP	1	
2	M810823	GASKET	1	
3	MIU800236	PLATE	1	
4	M801758	PIPE	1	
5	M810636	O-RING	1	
6	T110728	PULLEY	1	(Spare Parts)
7	M811345	PLUG	3	
8	MIU800684	PACKING	1	
9	19M7862	SCREW	2	M6 X 20
10	19M7560	CAP SCREW	3	M6 X 16
11	M802675	SPACER	1	(Spare Parts)
12	M809668	GASKET	1	
13	CH10554	PACKING	1	
14	19M7864	SCREW	1	M8 X 12
15	CH19090	BOLT	4	
16	M811034	THERMOSTAT	1	
17	M805835	GASKET	1	
18	CH15535	COVER	1	
19	M805834	GASKET	1	
20	19M7867	SCREW	2	M8 X 25, SUB FOR CH19088
21	MIU801119	THERMOMETER	1	
22	M806438	WASHER	1	SUB FOR M811567
23	MIU803080	WATER PUMP CONNECTION	1	
24	M1A882850	PIPE KIT	1	
25	MIU801823	HOSE CLAMP	4	
26	M1A882957	HOSE KIT	1	



PULV104818

KEY	PART NO.	PART NAME	QTY	REMARKS
1	M1A881999	FUEL PUMP	1	
2	M1A882491	VALVE	1	
3	MIU802767	SEALING RING	1	
4	MIU802768	O-RING	1	
5	MIU802769	BOLT	2	
6	MIU802770	TEMPERATURE SENSOR	1	
7	MIU802152	O-RING	1	
8	19M7868	SCREW	3	M8 X 30



LV291763

**Please write to us.**

**Our email:**

**aservicemanualpdf@yahoo.com**

**Please go to the homepage  
to get the full manual, or  
other brand PDF manuals.**

**Home Site:**

**aservicemanualpdf.com**

**Thank you very much for your reading. Please Click Here. Then Get COMPLETE MANUAL. NO WAITING**

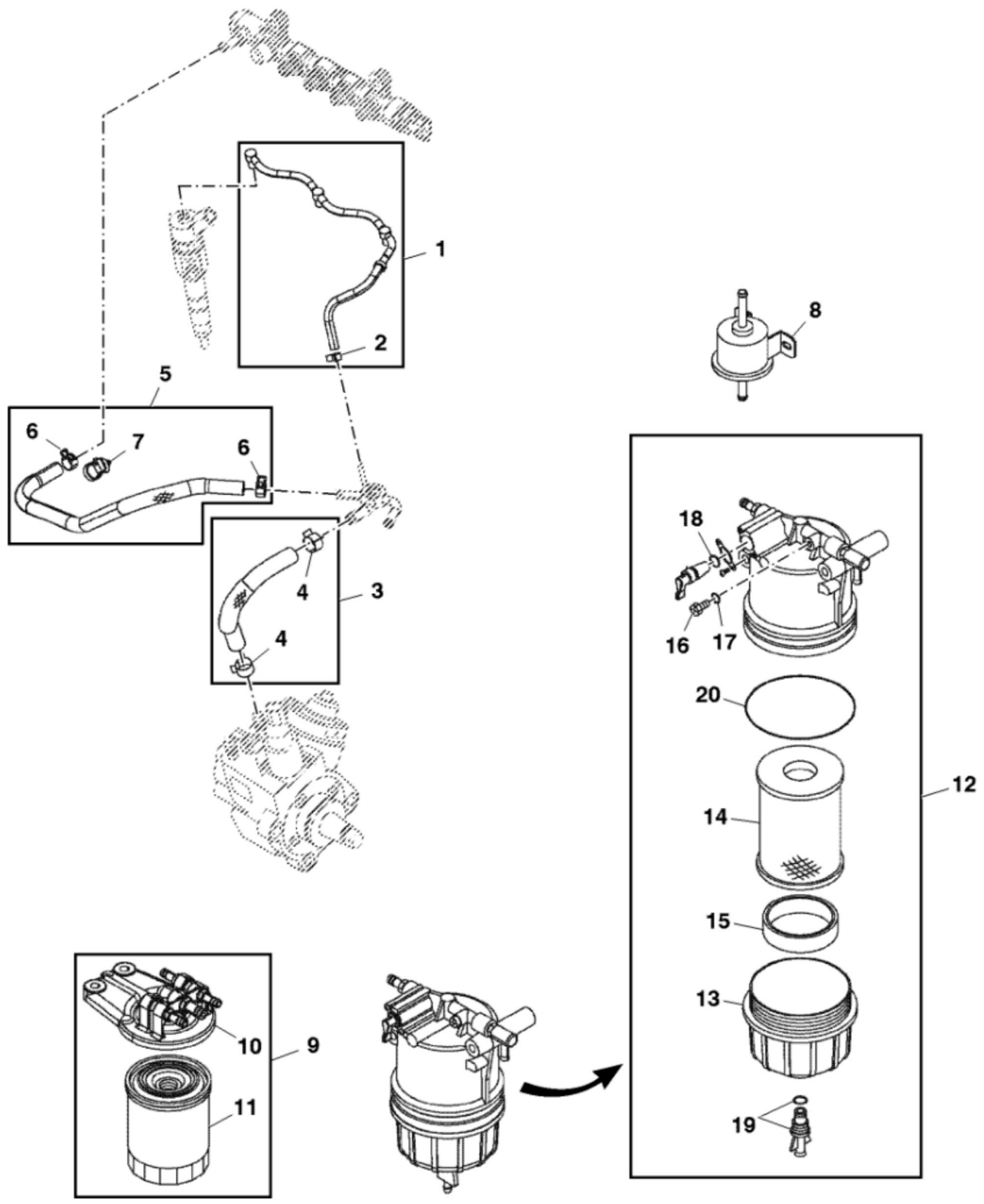


**NOTE:**

**If there is no response to click on the link above, please download the PDF document first and then click on it.**

KEY	PART NO.	PART NAME	QTY	REMARKS
1	MIU802181	FUEL INJECTION PUMP	3	
2	MIU802772	RING	3	
3	MIA882839	RAIL	1	
4	MIU802774	SENSOR	1	
5	MIU802775	VALVE	1	
6	MIU802776	O-RING	1	
7	CH19085	BOLT	2	
8	14M7303	FLANGE NUT	2	M6
9	MIA882005	PIPE	1	
10	MIA882843	PIPE KIT	1	
11	MIA882006	PIPE	1	
12	MIA882007	PIPE	1	





PULV105389

KEY	PART NO.	PART NAME	QTY	REMARKS
1	MIA882841	PIPE KIT	1	
2	T110429	HOSE CLAMP	1	
3	MIA882003	PIPE	1	
4	M808318	HOSE CLAMP	2	
5	MIA882840	FUEL LINE	1	
6	LVU803129	CLAMP	2	
7	MIU802166	CLIP	1	
8	AM876266	FUEL PUMP	1	
9	MIA882963	FILTER KIT	1	
10	MIA882001	BRACKET	1	ORDER MIA882963
11	MIU803127	FUEL FILTER	1	
12	MIU803221	FILTER KIT	1	
13	MIU803096	OIL CUP	1	ORDER MIU803221
14	MIU802421	FILTER ELEMENT	1	
15	MIU802773	FLOAT	1	
16	MIU802423	PLUG	1	
17	MIU802424	O-RING	1	
18	CH11561	PACKING	1	
19	MIU801026	PLUG	1	
20	MIU802422	O-RING	1	