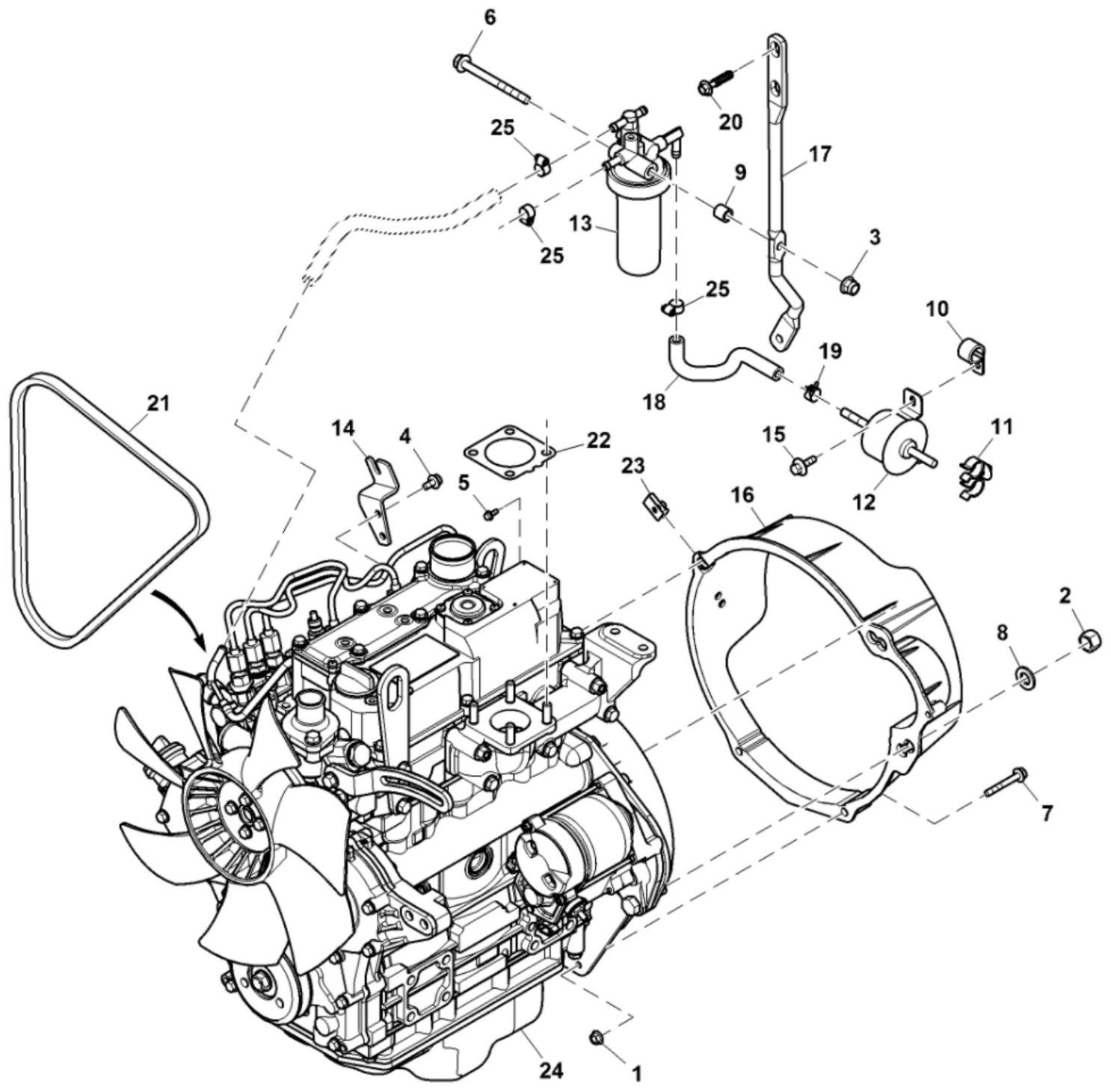


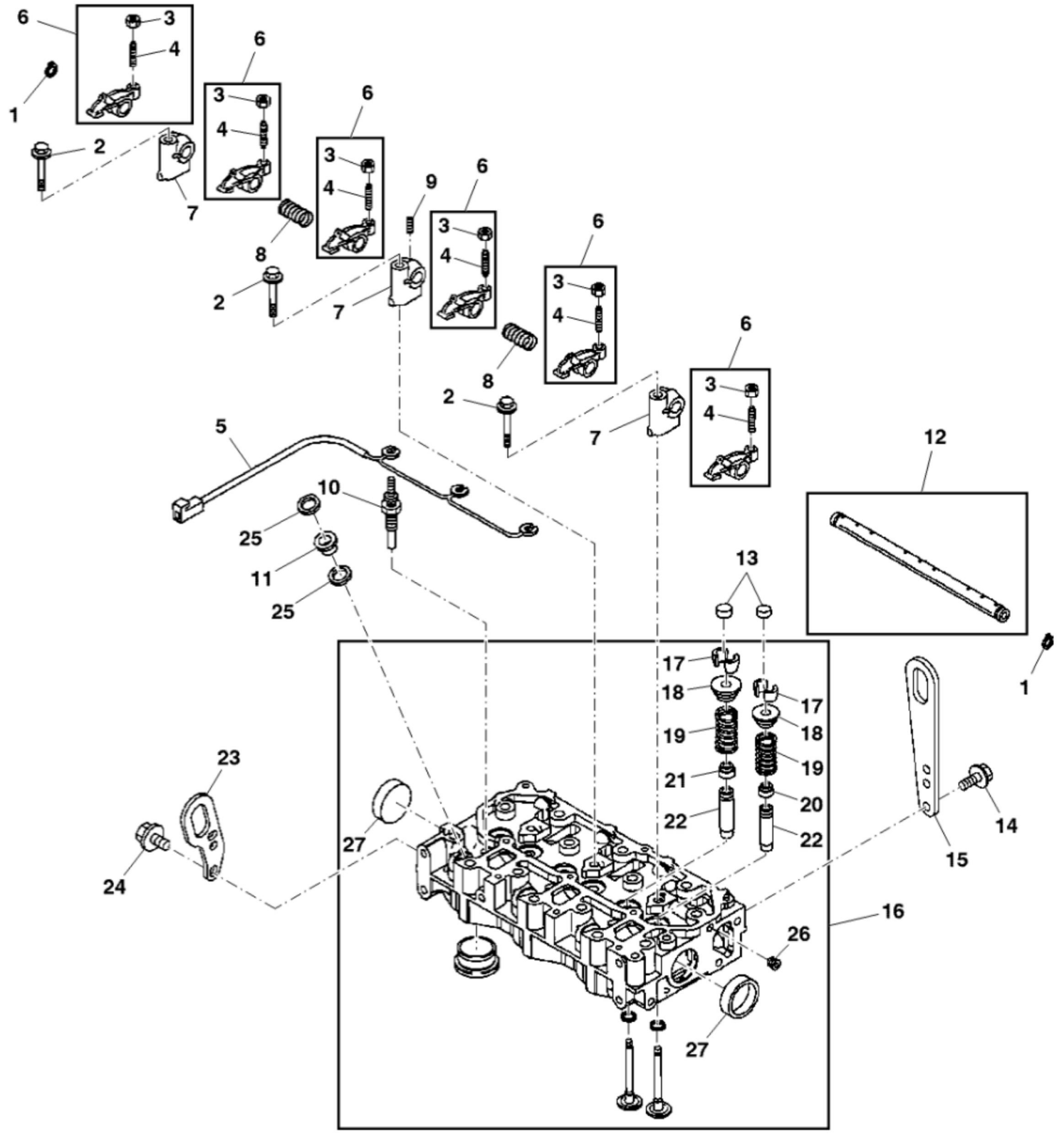
PU06365

KEY	PART NO.	PART NAME	QTY	REMARKS
1	M800970	BOLT	14	
2	MIA882331	GASKET KIT	1	
3	M809593	PLUG	1	D45
4	M811805	PLUG	4	30
5	CH10335	PLUG	1	
6	M802255	PIN	2	
7	CH18079	SPRING PIN	2	
8	CH10314	PLUG	1	
9	AM882419	THRUST BEARING	2	STD
9	MIA880557	THRUST BEARING	2	Over Sized = 0.25 MM (0.010 IN)
10	MIA880551	BEARING	4	Main, (STD)
10	AM882418	BEARING	4	Under Sized = 0.25 MM (0.010 IN) Main
11	M87879	BOLT	8	
12	M800006	DOWEL PIN	2	
13	M87801	PLUG	1	12
14	M87871	BOLT	3	
15	M811882	SHAFT	1	
16	MIU800572	CAMSHAFT	1	
17	M811807	PLUG	3	25
18	MIA12147	DIESEL ENGINE	1	Diesel, 3TNV80F, TIERIV; Not Illustrated



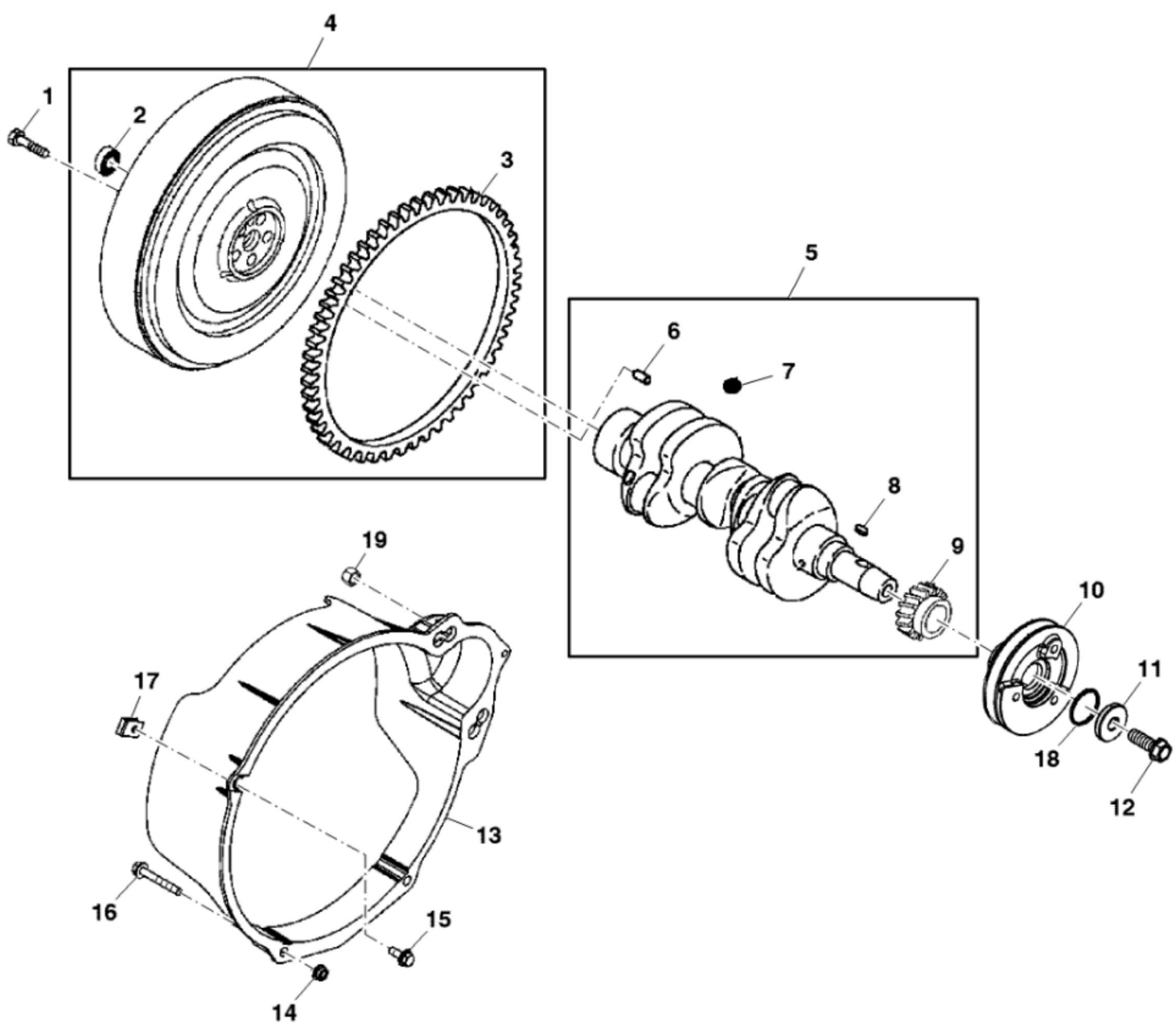
LV253345

KEY	PART NO.	PART NAME	QTY	REMARKS
1	14M7303	FLANGE NUT	2	M6
2	14M7367	LOCK NUT	2	M12
3	14M7396	LOCK NUT	1	M8
4	19M7774	SCREW	2	M6 X 12
5	19M7775	SCREW	1	M6 X 16
6	19M7913	SCREW	1	M8 X 90
7	19M8321	SCREW	2	M6 X 45
8	24M7047	WASHER	2	13 X 24 X 2.500 mm
9	28H3450	SPACER	1	0.364" X 0.540" X 1/2"
10	AH77724	CLIP	1	
11	AL157115	CLIP	1	
12	AM876266	FUEL PUMP	1	
13	MIA883607	FUEL FILTER	1	SUB FOR AM882413
14	LVU22124	SUPPORT	1	
15	LVU22419	BOLT	2	
16	LVU33746	COVER	1	(Pump To Filter) SUB FOR LVU26806
17	LVU28439	ROD	1	
18	LVU28736	HOSE	1	
19	M131032	CLAMP	3	
20	M146384	SCREW	3	
21	M805011	V-BELT	1	
22	M811089	GASKET	1	
23	M84972	NUT	1	
24	MIA12147	DIESEL ENGINE	1	
25	TY22462	CLAMP	3	



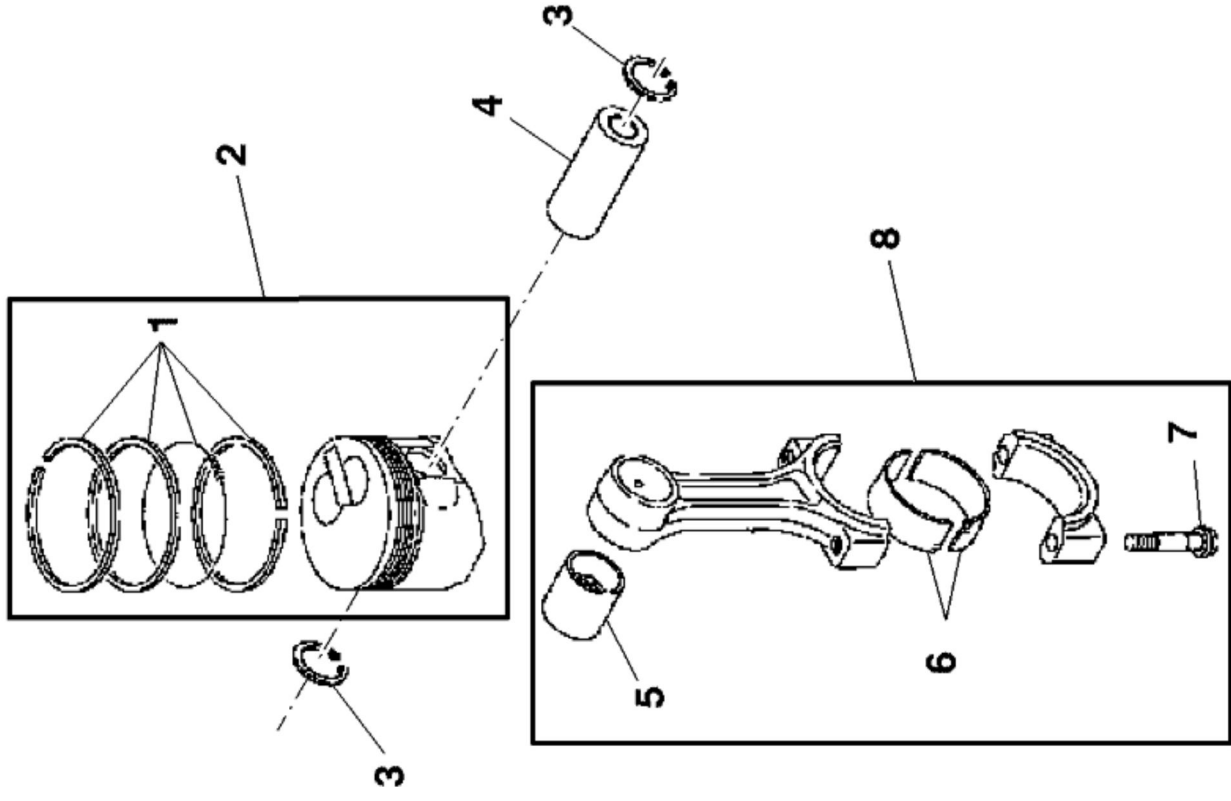
PU06891

KEY	PART NO.	PART NAME	QTY	REMARKS
1	M87818	SNAP RING	2	
2	19M8317	SCREW	3	M8 X 40, SUB FOR M89128
3	M801028	NUT	6	
4	M801027	SCREW	1	
5	M811938	ELEC. CONNECTOR TERMINAL	1	
6	AM882423	ROCKER ARM	6	
7	M811846	SUPPORT	3	Rocker Arm
8	M87892	SPRING	2	
9	M87893	SCREW	1	
10	MIU802457	GLOW PLUG	3	
11	M811967	SHIELD	3	
12	AM882421	ROCKER ARM SHAFT	1	
13	M811804	CAP	6	
14	CH18390	BOLT	2	
15	ATZ11695	HANGER	1	
16	MIA882333	CYLINDER HEAD	1	
17	M811844	RETAINER	12	Cotter, Valve
18	M811966	RETAINER	6	Retainer, Spring
19	M811842	SPRING	6	
20	M811850	SEAL	3	Valve Stem, In
21	M811851	SEAL	3	Valve Stem, Exit
22	M811855	GUIDE	6	
23	MIU800461	BRACKET	1	Lifter, Engine
24	CH19780	BOLT	2	
25	M89135	GASKET	6	
26	M808706	PLUG	1	R1/16
27	M811808	PLUG	2	35



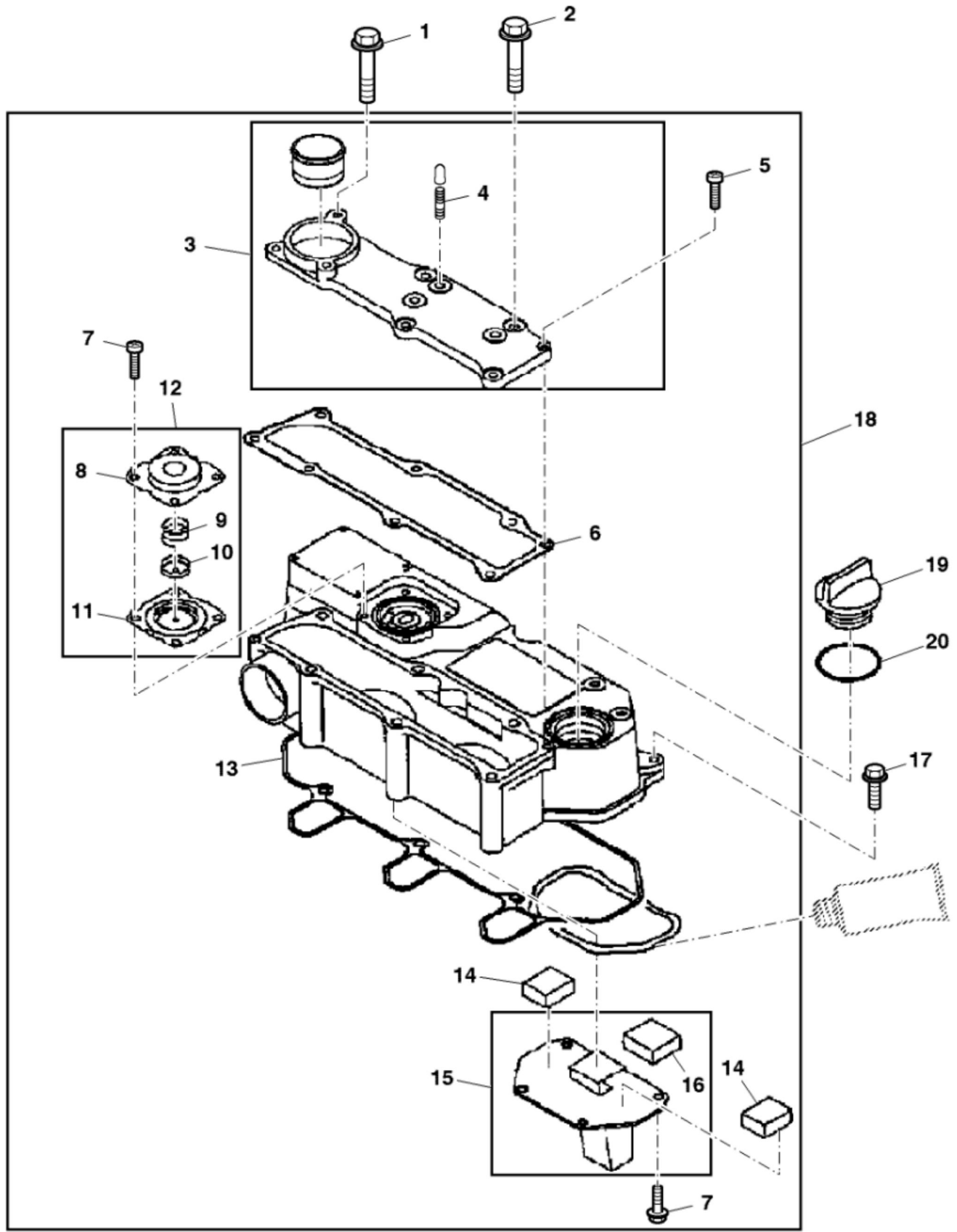
LV233959

KEY	PART NO.	PART NAME	QTY	REMARKS
1	M87887	BOLT	5	
2	M807344	BEARING	1	
3	M88025	RING GEAR	1	
4	MIA882417	FLYWHEEL KIT	1	
5	MIA882334	CRANKSHAFT	1	
6	M802255	PIN	1	
7	400R	BALL	3	
8	M87812	SHAFT KEY	1	
9	M811864	GEAR	1	
10	MIU802603	PULLEY	1	Crankshaft
11	MIU802535	WASHER	1	V-Pulley
12	MIU801499	BOLT	1	
13	LVU33746	COVER	1	SUB FOR LVU26806
14	14M7303	FLANGE NUT	2	M6
15	19M7775	SCREW	1	M6 X 16
16	19M8321	SCREW	2	M6 X 45
17	M84972	NUT	1	
18	MIU802534	WASHER	1	Washer
19	14M7367	LOCK NUT	2	M12



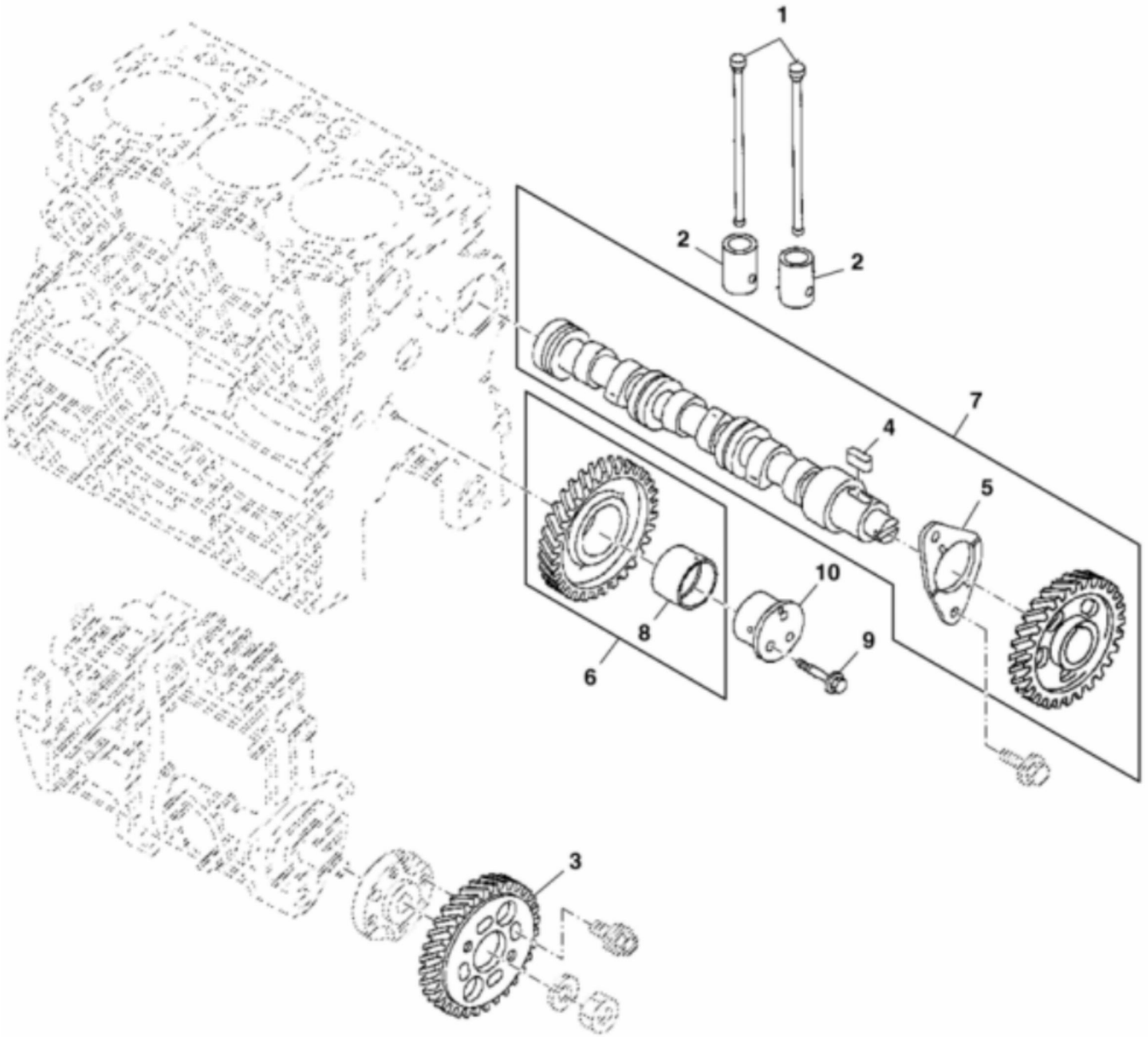
PU06375

KEY	PART NO.	PART NAME	QTY	REMARKS
1	MIA882337	PISTON RING KIT	3	STD
1	MIA882338	PISTON RING KIT	3	Over Sized = 0.25 MM (0.010 IN)
2	MIA882335	PISTON REPLACEMENT KIT	3	STD
2	MIA882340	PISTON	3	Over Sized = 0.25 MM (0.010 IN)
3	CH11486	RING	6	
4	MIU802617	PISTON PIN	3	
5	M811880	BUSHING	3	
6	MIA880561	BEARING	3	STD
6	MIA880566	BEARING	3	Under Sized = 0.25 MM (0.010 IN)
7	M811877	BOLT	6	
8	MIA882341	CONNECTING ROD	3	



PU06371

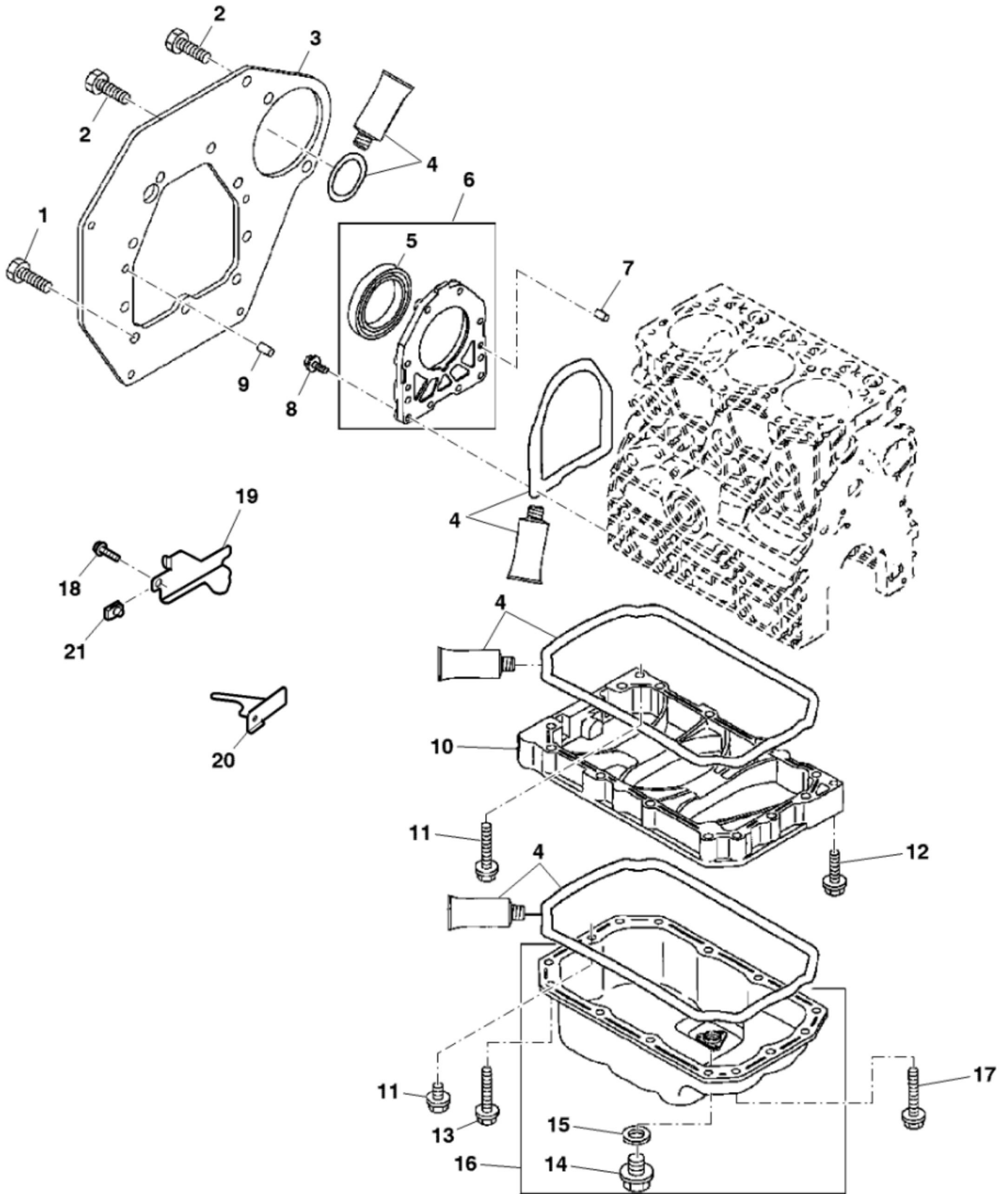
KEY	PART NO.	PART NAME	QTY	REMARKS
1	M802650	BOLT	2	6 X 85
2	M800100	BOLT	4	M6 X 75
3	MIA880099	COVER	1	
4	CH10614	STUD	3	
5	M811981	SCREW	2	
6	M811849	GASKET	1	Bonnet Cover
7	M807374	SCREW	8	
8	M811649	COVER	1	
9	M811650	SPRING	1	
10	M811046	PLATE	1	
11	M811958	DIAPHRAGM	1	
12	AM882461	DIAPHRAGM	1	Assembly
13	M811939	GASKET	1	Bonnet
14	M811836	DEFLECTOR	2	Breather
15	M811835	PLATE	1	
16	M811836	DEFLECTOR	1	Breather
17	19M7862	SCREW	1	M6 X 20
18	MIA880100	CYLINDER HEAD	1	
19	M805710	CAP	1	
20	M805711	PACKING	1	



PU06373

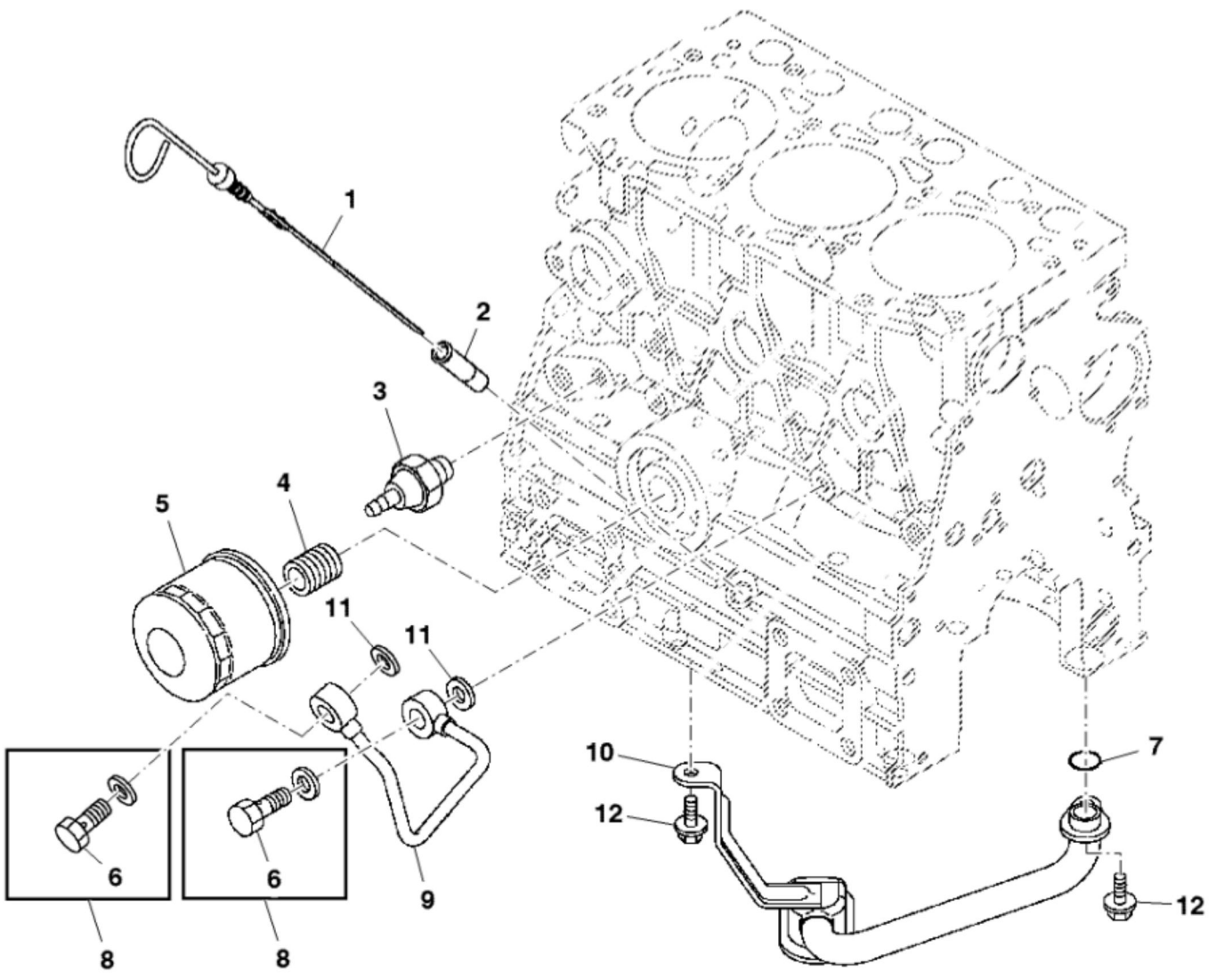
John Deere > Turf And Utility > TRACTOR, COMPACT UTILITY >60D - TRACTOR, COMPACT UTILITY >1025R Compact Utility Tractor (with 54D, 60D Mower Deck and 260 Backhoe) >20 ENGINE
 >ST745591 - CAMSHAFTS AND DRIVING GEARS

KEY	PART NO.	PART NAME	QTY	REMARKS
1	M811861	PUSH ROD	6	
2	M87813	TAPPET	6	
3	M811884	GEAR	1	
4	M87812	SHAFT KEY	1	
5	M87810	FLANGE	1	
6	MIA880570	IDLER GEAR	1	
7	MIA880537	CAMSHAFT	1	
8	MIU800598	IDLER GEAR	1	
9	M87871	BOLT	3	
10	M811882	SHAFT	1	Idle Gear



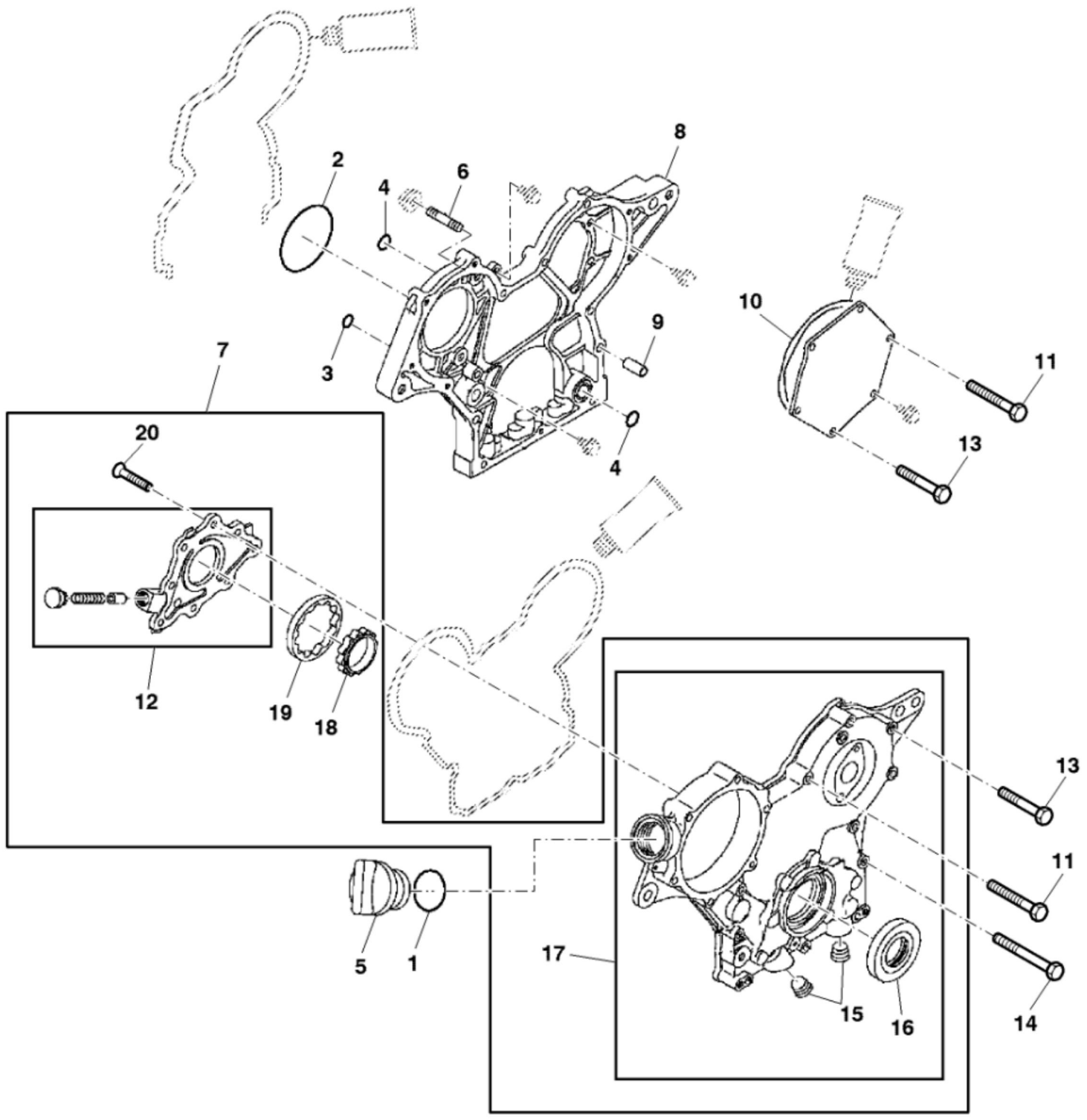
LV310086

KEY	PART NO.	PART NAME	QTY	REMARKS
1	19M7402	CAP SCREW	3	M10 X 25
2	M800011	BOLT	7	
3	MIU800145	FLANGE	1	
4	M64850	SEALANT	AR	2.8 OZ, TUBE
5	M801941	SEAL	1	
6	AM882411	CASE	1	
7	M802254	PIN	2	
8	M87826	BOLT	10	
9	M802255	PIN	2	
10	M811822	SPACER	1	
11	CH19101	BOLT	11	
12	19M7868	SCREW	1	M8 X 30
13	19M7864	SCREW	1	M8 X 12
14	T111565	PLUG	1	
15	WASHER	1	(ORDER AM882472)
16	MIA880098	RESERVOIR	1	
17	CH19086	BOLT	3	
18	19M7868	SCREW	1	M8 X 30
19	LVU23467	GUARD	1	RH, Fan
20	LVU23718	GUARD	1	LH, Belt
21	M84971	NUT	1	



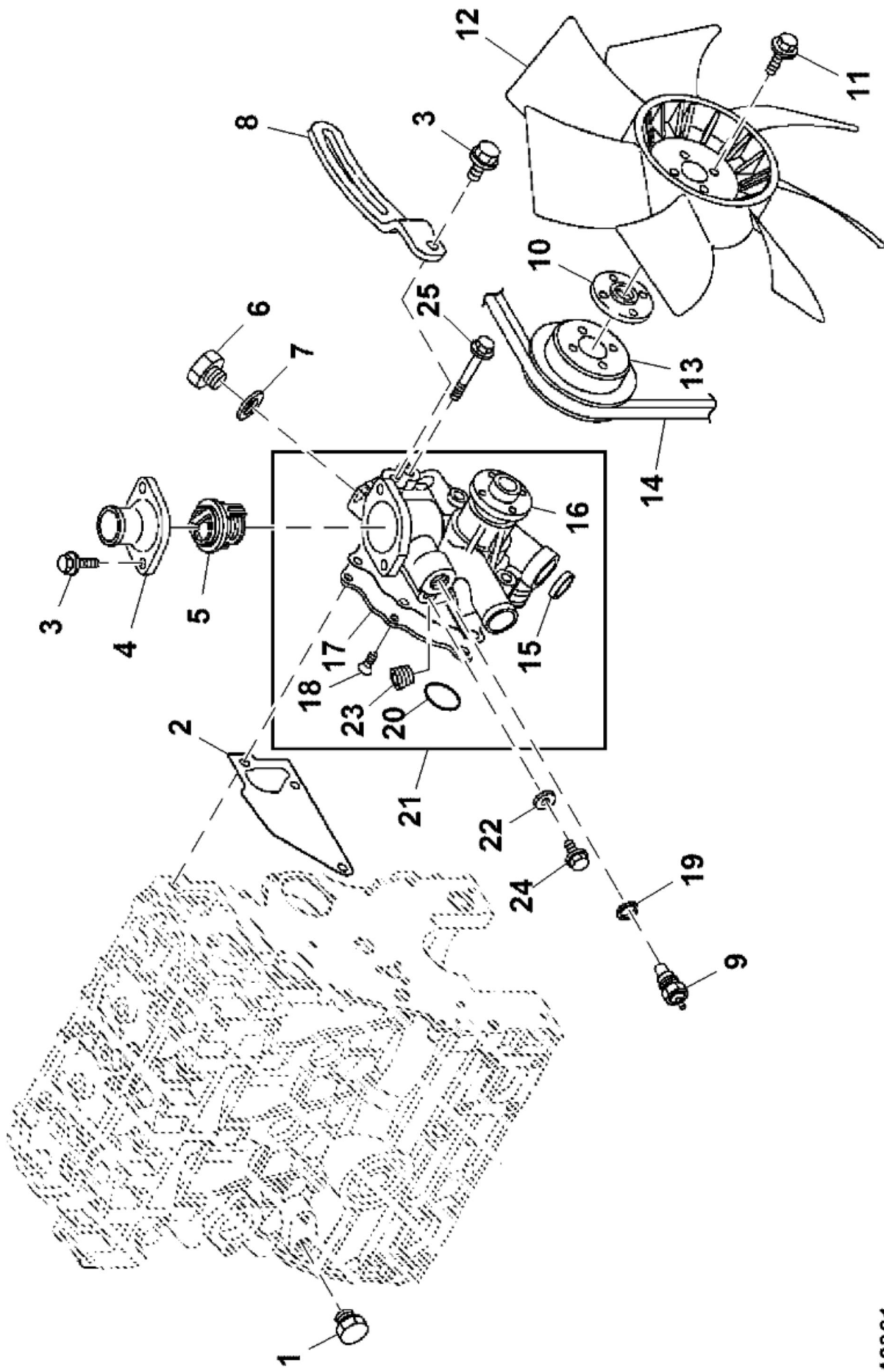
PULV105235

KEY	PART NO.	PART NAME	QTY	REMARKS
1	MIU800097	DIPSTICK	1	
2	CH15495	GUIDE	1	
3	M809526	SWITCH	1	
4	MIU801676	BOLT	1	USE WITH MIA12138
5	M806418	OIL FILTER	1	SUB FOR MIA880572
6	CH16843	HOLLOW SCREW	2	
7	M811886	O-RING	1	
8	AM881809	BOLT	2	
9	M811892	PIPE	1	
10	MIA880103	STRAINER	1	
11	M803523	WASHER	2	
12	19M7300	CAP SCREW	2	M6 X 10



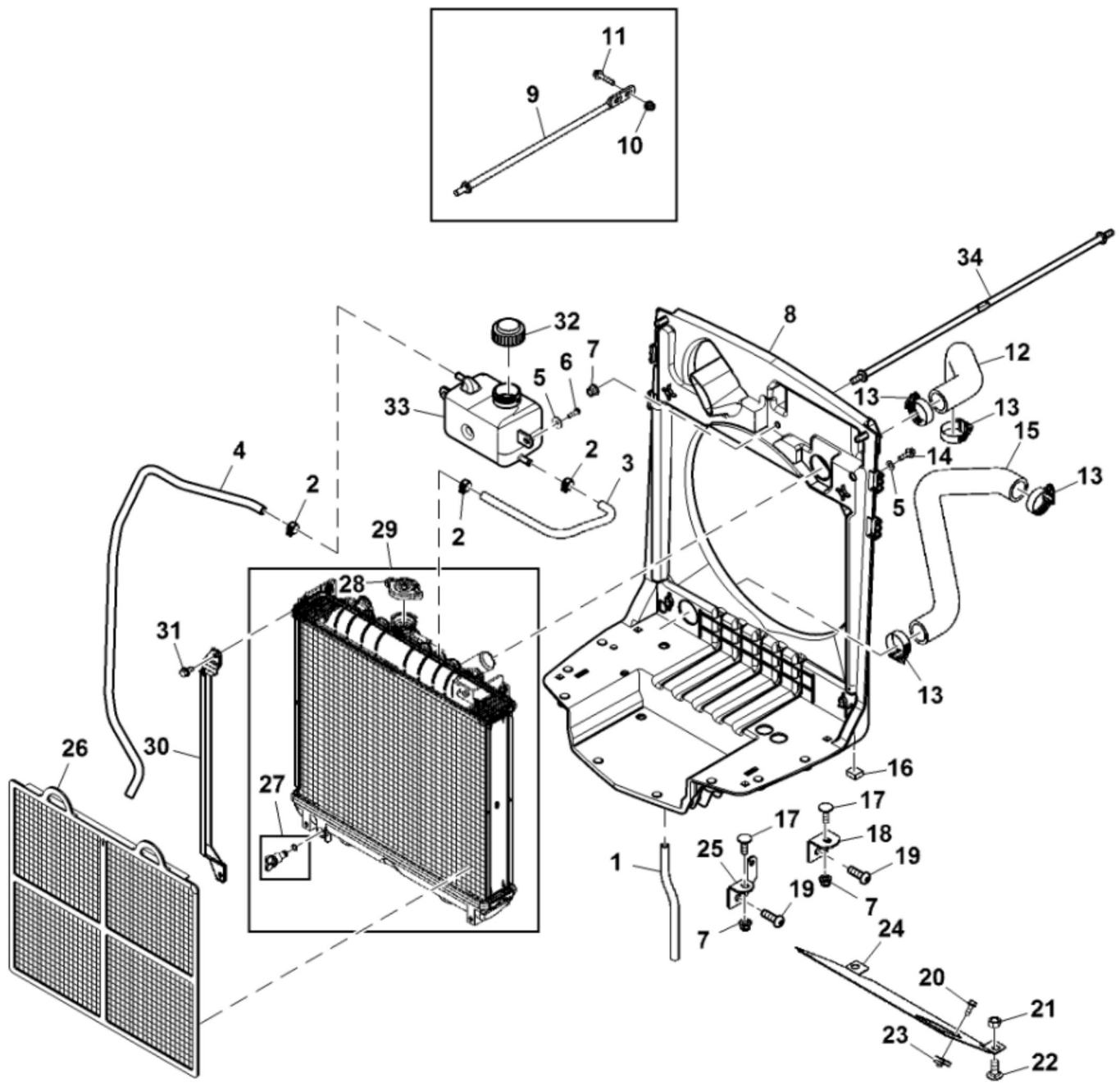
PU06367

KEY	PART NO.	PART NAME	QTY	REMARKS
1	M805711	O-RING	1	
2	CH16940	O-RING	1	
3	M809204	O-RING	1	
4	M811885	O-RING	3	
5	M805710	CAP	1	
6	M811820	STUD	3	
7	AM882445	COVER	1	
8	M811816	GEAR CASE	1	
9	M800006	DOWEL PIN	4	
10	M811823	COVER	1	
11	M89120	BOLT	7	
12	AM882435	COVER	1	
13	19M7797	BOLT	7	
14	M800065	BOLT	2	
15	M806938	PLUG	2	
16	M811563	SEAL	1	
17	AM882469	COVER	1	
18	M811888	ROTOR	1	Inner
19	M811889	ROTOR	1	Outer
20	M811061	SCREW	8	



LV246361

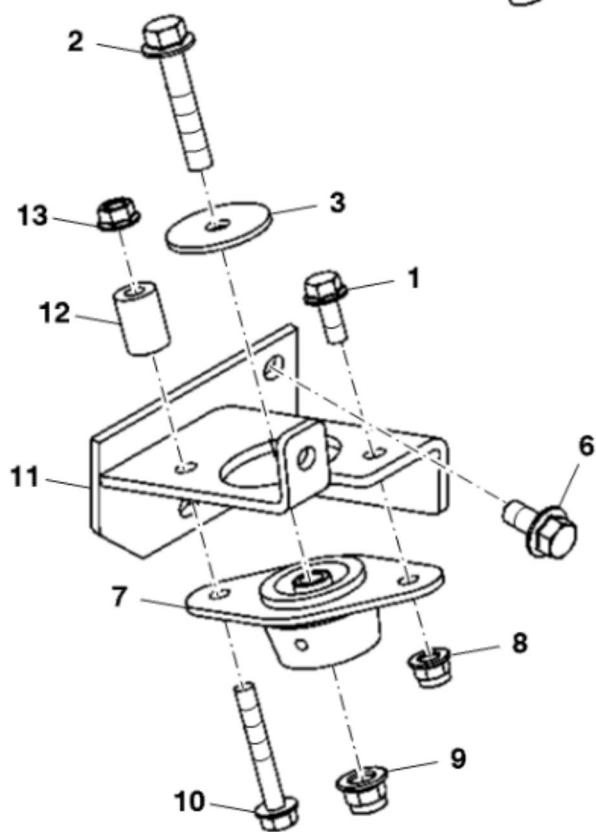
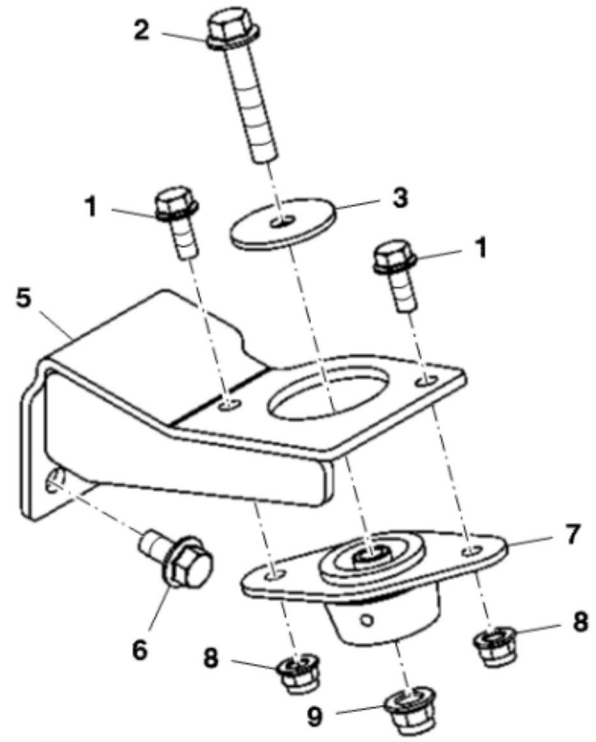
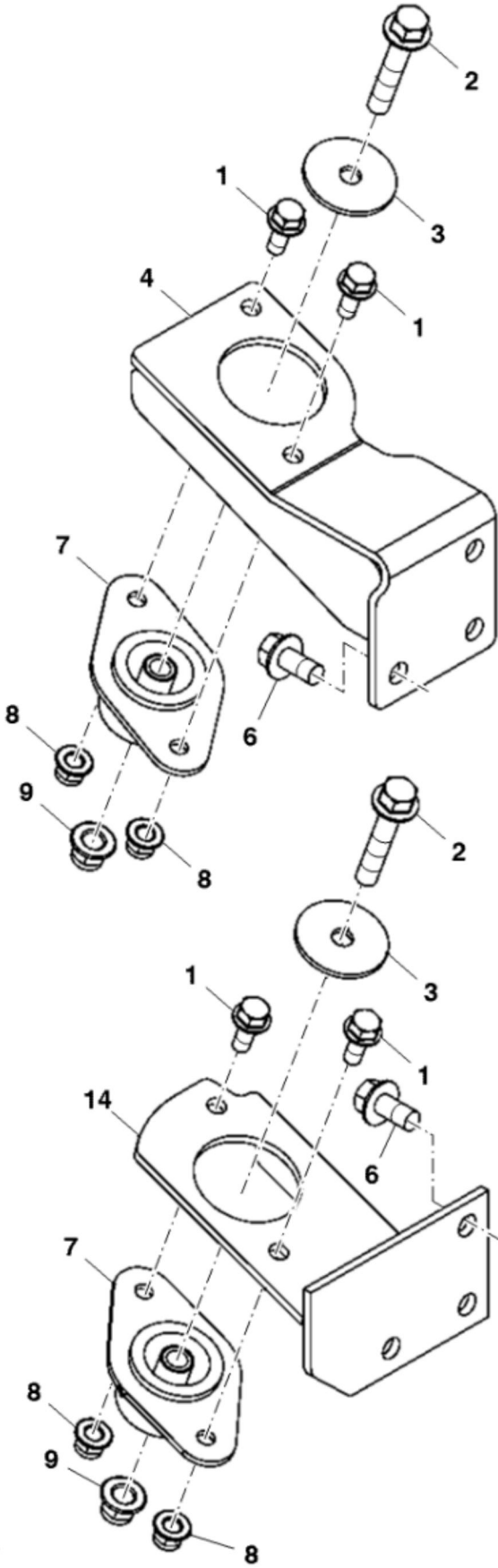
KEY	PART NO.	PART NAME	QTY	REMARKS
1	M112792	DRAIN PLUG	1	
2	M811893	GASKET	1	
3	19M7866	BOLT	3	
4	CH15535	COVER	1	
5	M811895	THERMOSTAT	1	71°C (160°F)
5	M812140	THERMOSTAT	1	82°C (180°F), OPTIONAL
6	M800312	PLUG	1	
7	CH13814	WASHER	1	
8	MIU801718	ADJUSTER	1	
9	T110736	SENSOR	1	
10	M811950	SPACER	1	
11	19M7862	SCREW	4	M6 X 20
12	MIU800073	FAN	1	
13	M811894	PULLEY	1	
14	M805011	V-BELT	1	
15	CH17101	PLUG	1	
16	MIU800071	WATER PUMP	1	
17	MIU800072	COVER	1	
18	21M7194	SCREW	4	M6 X 12, SUB FOR M800087
19	T110737	GASKET	1	
20	MIU802236	O-RING	1	
21	M1A882091	WATER PUMP	1	
22	CH10554	PACKING	1	
23	M811345	DRAIN PLUG	1	
24	19M7864	SCREW	1	M8 X 12
25	CH19086	BOLT	3	



LV290230

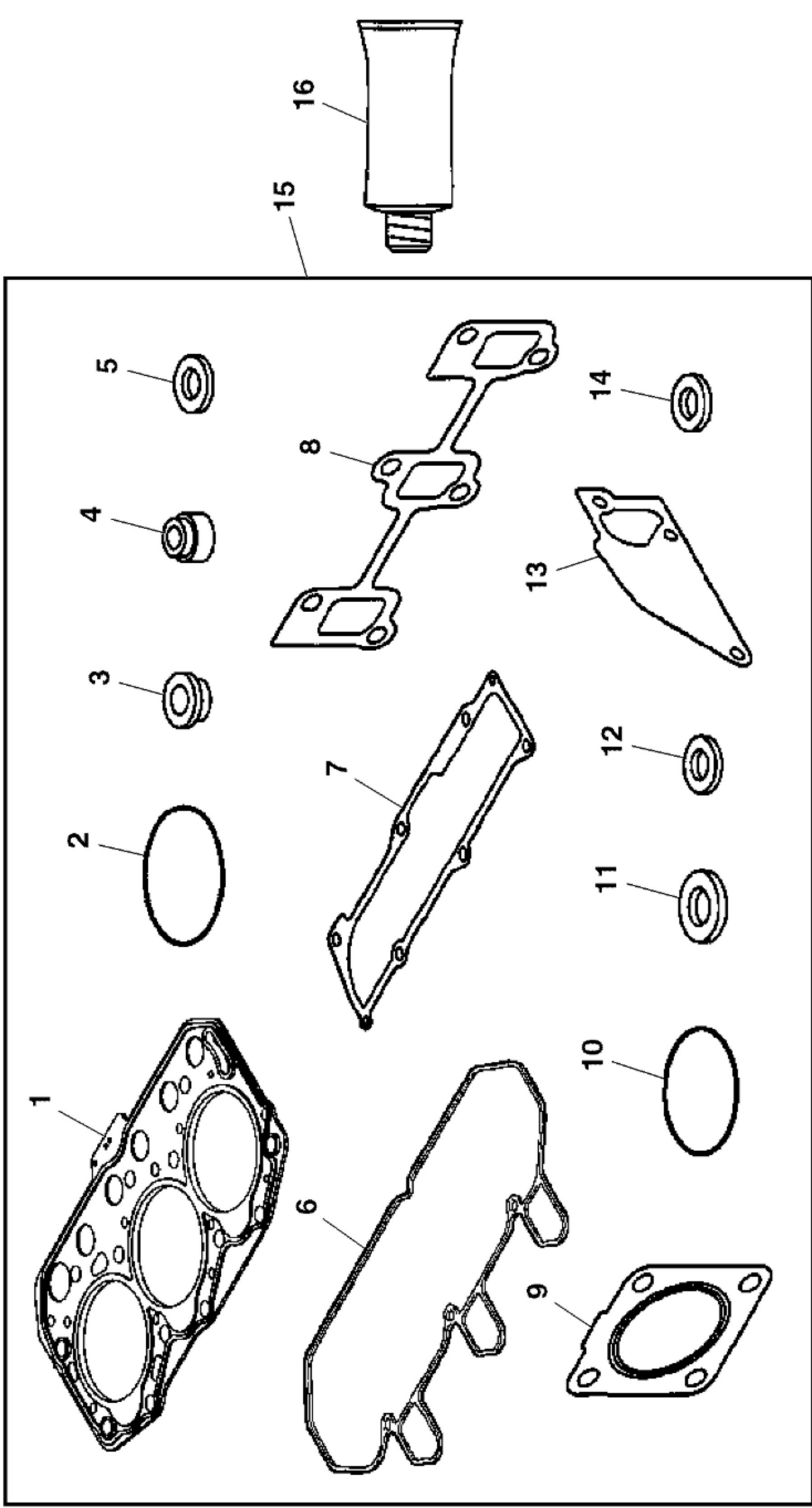
KEY	PART NO.	PART NAME	QTY	Serial No.	REMARKS
1	HOSE	AR		CTL 204 mm, MF R109375
2	R56101	CLIP	3		
3	HOSE	AR		CTL 280 mm, MF R109375
4	HOSE	AR		CTL 876 mm, MF R109375
5	24M7139	WASHER	6		6.400 X 18 X 1.600 mm
6	H111705	SCREW	2		
7	14M7396	LOCK NUT	5		M8
8	LVU29997	SHROUD	1		SUB FOR LVUJ26807
9	LVU21718	ROD	1		
10	19M7796	SCREW	2		M6 X 30
11	14M7397	LOCK NUT	2		M6
12	LVU21721	RADIATOR HOSE	1		Upper
13	TY22467	CLAMP	4	210001-_____	SUB FOR AR21839
14	19M7862	BOLT	4		
15	LVU24124	RADIATOR HOSE	1		Lower
16	LVU23828	PAD	1		MAKE FROM R210080
17	03M7093	BOLT	4		M8 X 25
18	LVU22316	ANGLE	2		Support
19	H148835	BOLT	4		
20	19M7775	BOLT	2		
21	14M7274	NUT	2		M10
22	03M7191	BOLT	2		M10 X 25
23	M84972	NUT	2		
24	LVU24345	DEFLECTOR	1		SUB FOR LVUJ22961
25	LVU22314	SUPPORT	1		LH
25	LVU22315	SUPPORT	1		RH
26	LVA17707	SCREEN	1		SUB FOR LVA16331
27	LVA12796	DRAIN PLUG	1		
28	TCU31996	FILLER CAP	1		SUB FOR M807428
29	LVA16455	RADIATOR	1		
30	LVU21726	GUIDE	1		RH
30	LVU21727	GUIDE	1		LH
31	19M7774	BOLT	4		
32	R99771	CAP	1		SUB FOR LVUJ28507

KEY	PART NO.	PART NAME	QTY	Serial No.	REMARKS
33	LVU29621	RADIATOR RESERVOIR	1		
34	LVU27925	ROD	1		SUB FOR LVU25417



PU06886

KEY	PART NO.	PART NAME	QTY	REMARKS
1	19M7866	BOLT	7	
2	19M8528	BOLT	4	
3	24H1314	WASHER	4	13/32" X 1-3/4" X 7/64"
4	LVA17705	BRACKET	1	RH REAR
5	LVA17706	BRACKET	1	LH REAR
6	19M7784	BOLT	12	
7	LVA15738	ISOLATOR	4	
8	14M7396	LOCK NUT	7	M8
9	14M7400	LOCK NUT	4	M10
10	19M7979	BOLT	1	
11	LVA16328	BRACKET	1	LH FRONT
12	LVU23487	SPACER	1	
13	14M7298	FLANGE NUT	1	M8
14	LVA16327	BRACKET	1	RH FRONT



PU06388

Please write to us.

Our email:

aservicemanualpdf@yahoo.com

**Please go to the homepage
to get the full manual, or
other brand PDF manuals.**

Home Site:

aservicemanualpdf.com

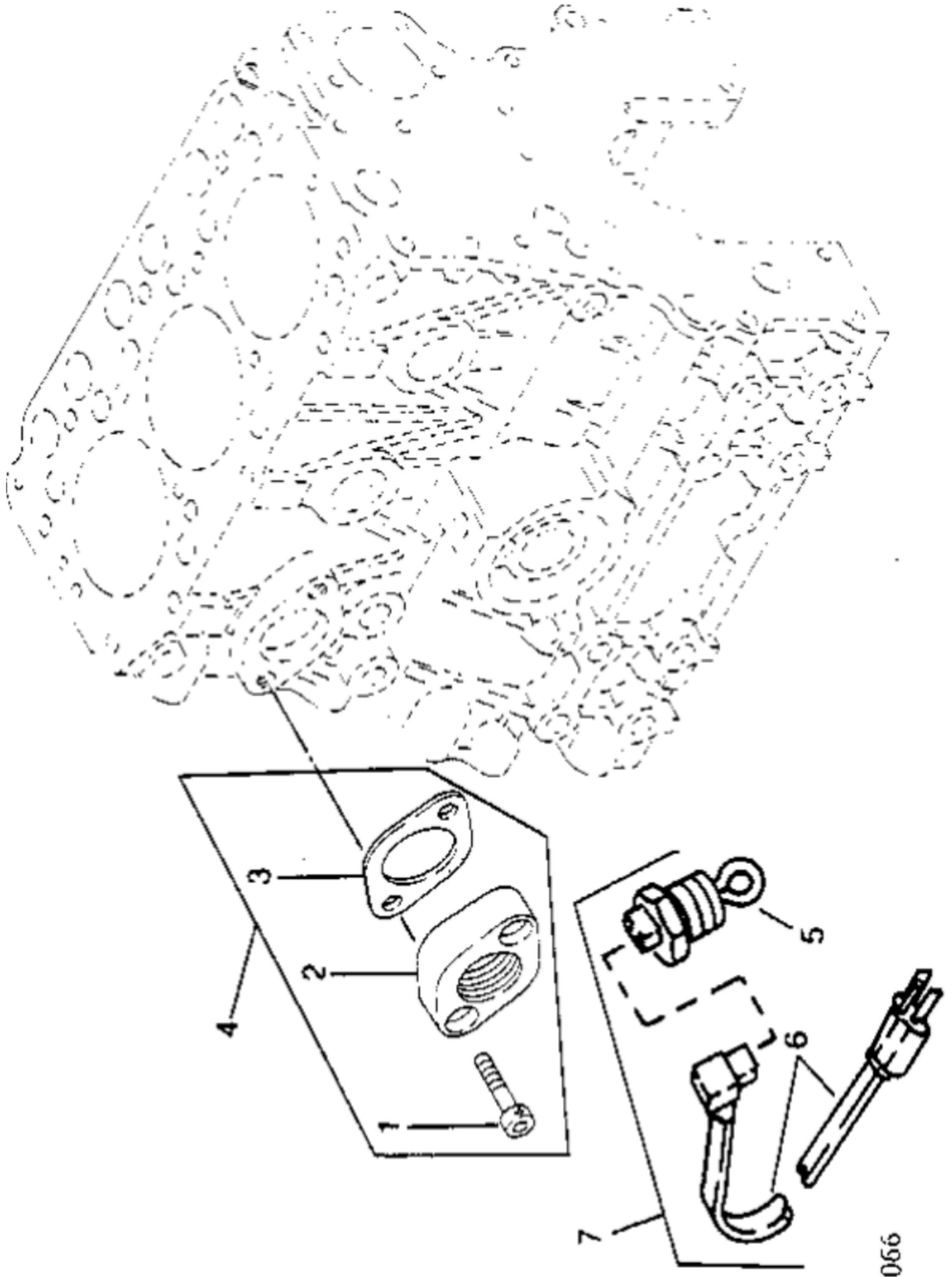
Thank you very much for your reading. Please Click Here. Then Get COMPLETE MANUAL. NO WAITING



NOTE:

If there is no response to click on the link above, please download the PDF document first and then click on it.

KEY	PART NO.	PART NAME	QTY	REMARKS
1	MIA882331	GASKET KIT	1	
2	CH16940	O-RING	1	
3	M811967	SHIELD	3	
4	M811850	SEAL	3	Internal
4	M811851	SEAL	3	External
5	M89135	GASKET	6	
6	M811939	GASKET	1	
7	M811849	GASKET	1	
8	M811857	GASKET	1	Manifold
9	M811089	GASKET	1	Silencer; SUB FOR M811809
10	M809204	O-RING	1	P12
10	M811885	O-RING	2	P17.0
10	M811886	O-RING	1	P15.0
10	M805711	PACKING	2	P32
11	M806438	WASHER	4	12, SUB FOR M811567
11	MIA883635	GASKET KIT	1	SUB FOR AM882472
12	M811968	GASKET	3	
13	M811893	GASKET	1	
14	CH13814	WASHER	1	16
14	T110737	GASKET	1	10
14	CH10554	PACKING	1	8
15	MIA882348	GASKET KIT	1	
16	M64850	SEALANT	AR	2.8 OZ, Tube



MP4066

John Deere > Turf And Utility > TRACTOR, COMPACT UTILITY >60D - TRACTOR, COMPACT UTILITY >1025R Compact Utility Tractor (with 54D, 60D Mower Deck and 260 Backhoe) >20 ENGINE
 >ST773915 - BLOCK HEATER (OPTIONAL)

KEY	PART NO.	PART NAME	QTY	REMARKS
1	19M7657	SCREW	2	M8 X 25
2	M152691	ADAPTER FITTING	1	
3	M805828	GASKET	1	
4	AM134805	ADAPTER KIT	1	Block Heater Adapter
5	AR87184	COOLANT HEATER	1	
6	AR87168	POWER CORD	1	
7	AR87167	COOLANT HEATER	1	