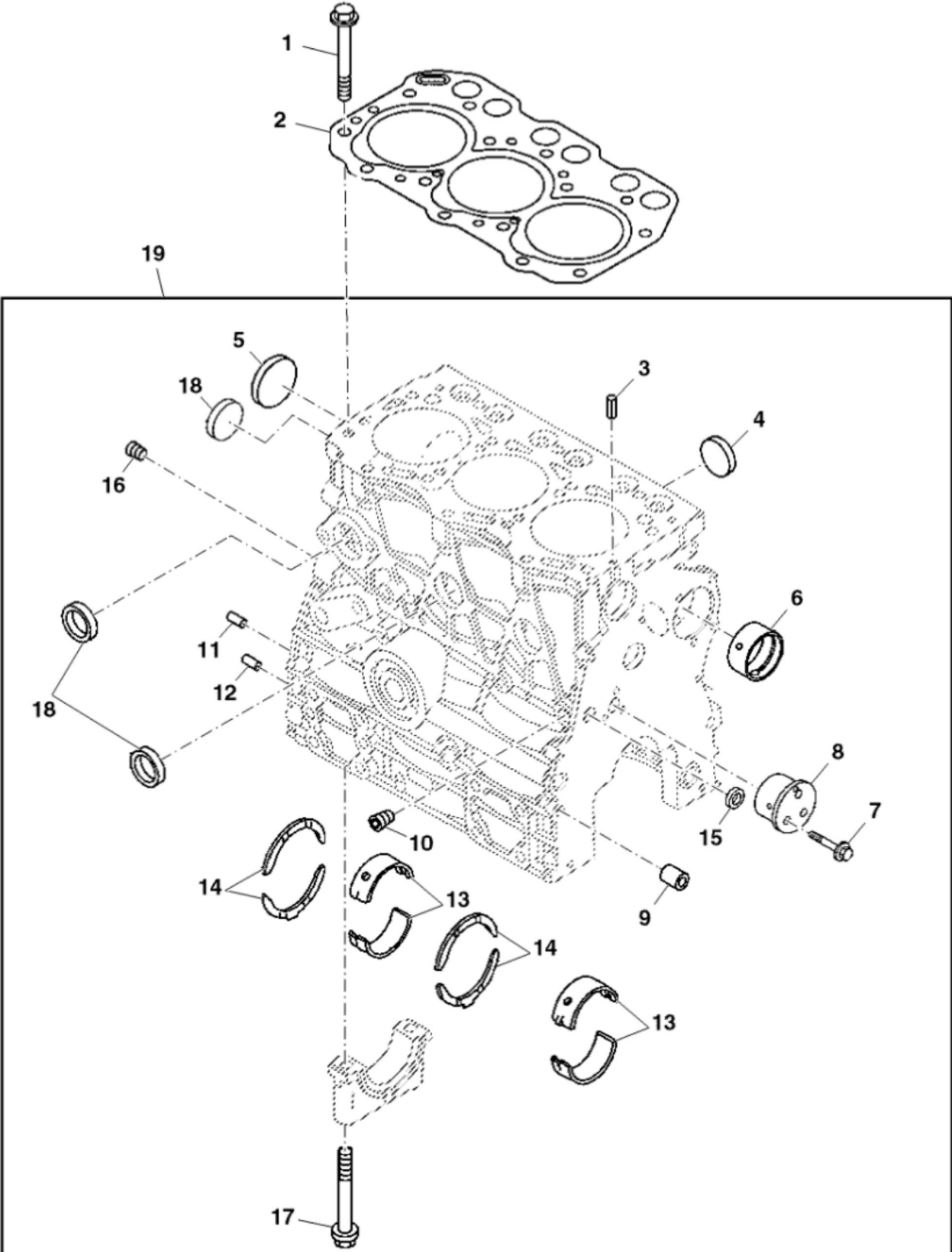


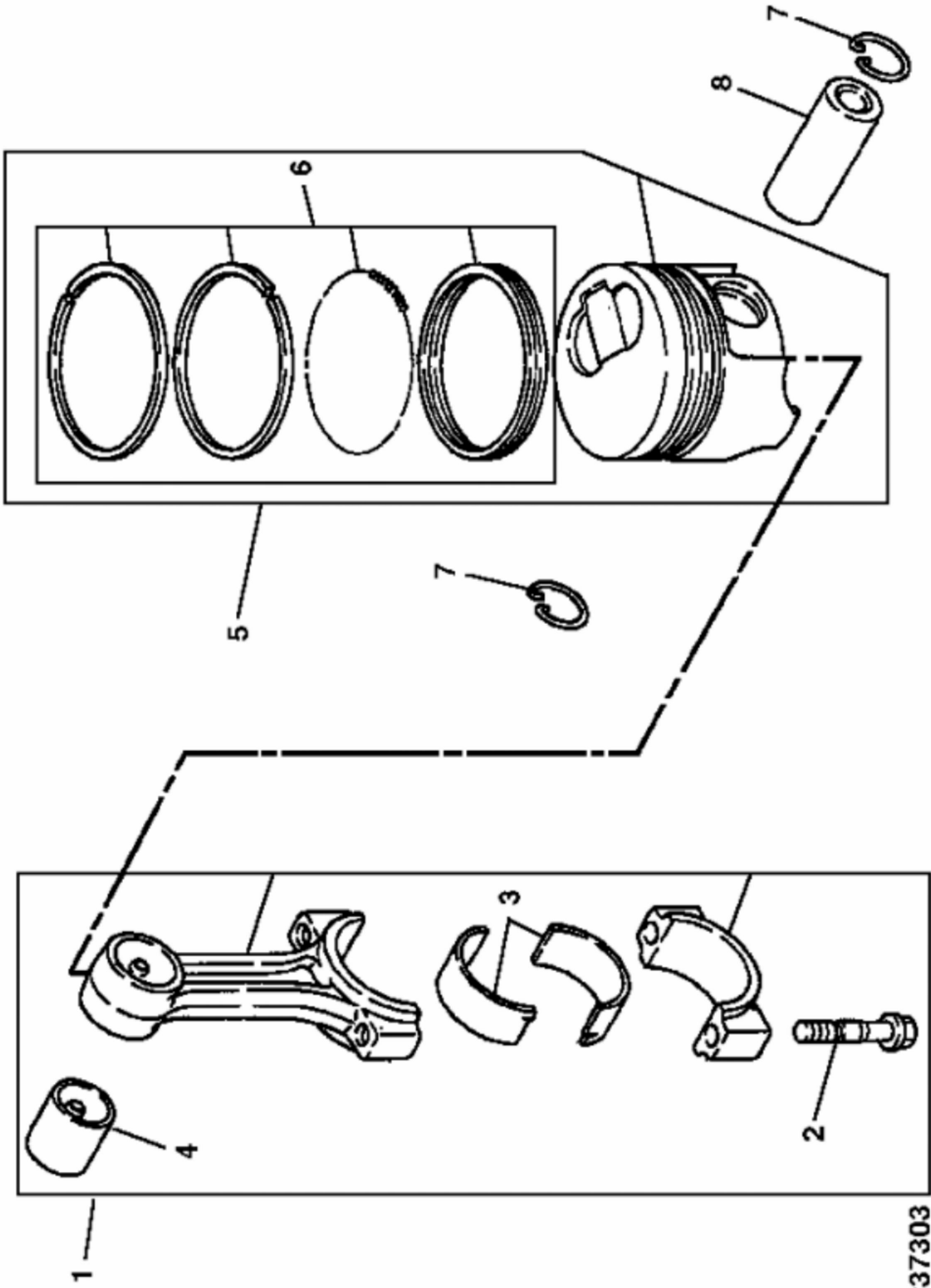
PU14109

KEY	PART NO.	PART NAME	QTY	REMARKS
1	MIA12260	DIESEL ENGINE	1	MARKED 3TNNV70-AJUV; ORDER MIA882683
1	MIA12630	ENGINE	1	MARKED 3TNNV70-AJUVB3
1	MIA882683	SHORT BLOCK ASSEMBLY	1	MARKED SB-3TNNV70-J1



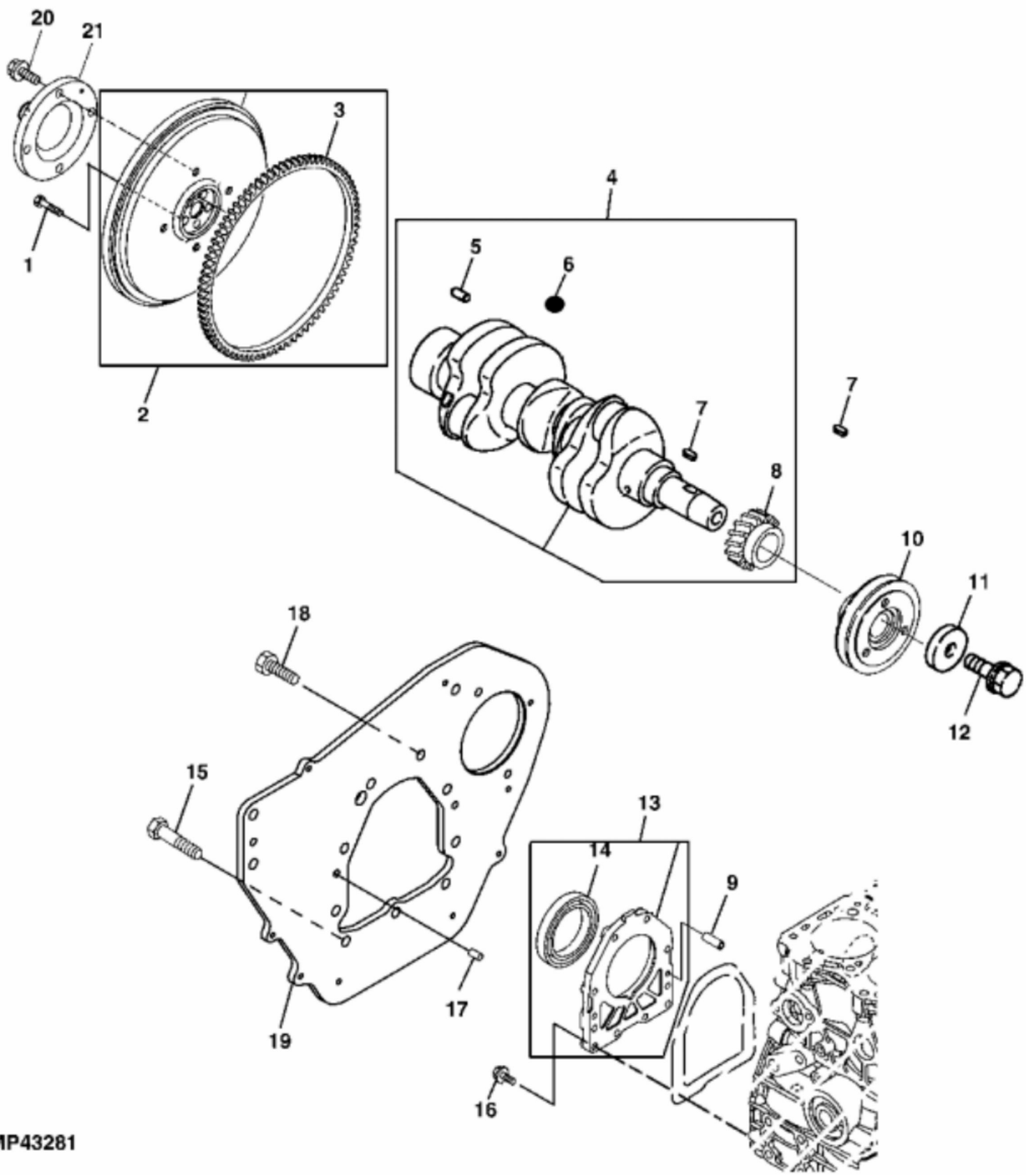
PU05857

KEY	PART NO.	PART NAME	QTY	REMARKS
1	MIU800287	BOLT	14	
2	MIU800288	GASKET	1	ORDER MIU802005
2	MIU802005	GASKET	1	
3	CH18079	SPRING PIN	6	
4	M811807	PLUG	9	
5	M809593	PLUG	3	
6	MIU800572	CAMSHAFT	3	
7	M87871	BOLT	9	
8	M811882	SHAFT	3	Idle gear
9	M800006	DOWEL PIN	2	
10	CH10314	PLUG	3	
11	M802255	PIN	2	
12	M802254	PIN	2	
13	MIA880551	BEARING	4	STD
13	AM882418	BEARING KIT	4	.25 MM (.010") US
14	AM882419	BEARING KIT	4	Thrust
15	M87801	PLUG	3	
16	CH10335	PLUG	3	
17	M87879	BOLT	24	
18	M811805	PLUG	12	
19	MIA880295	CYLINDER BLOCK	1	



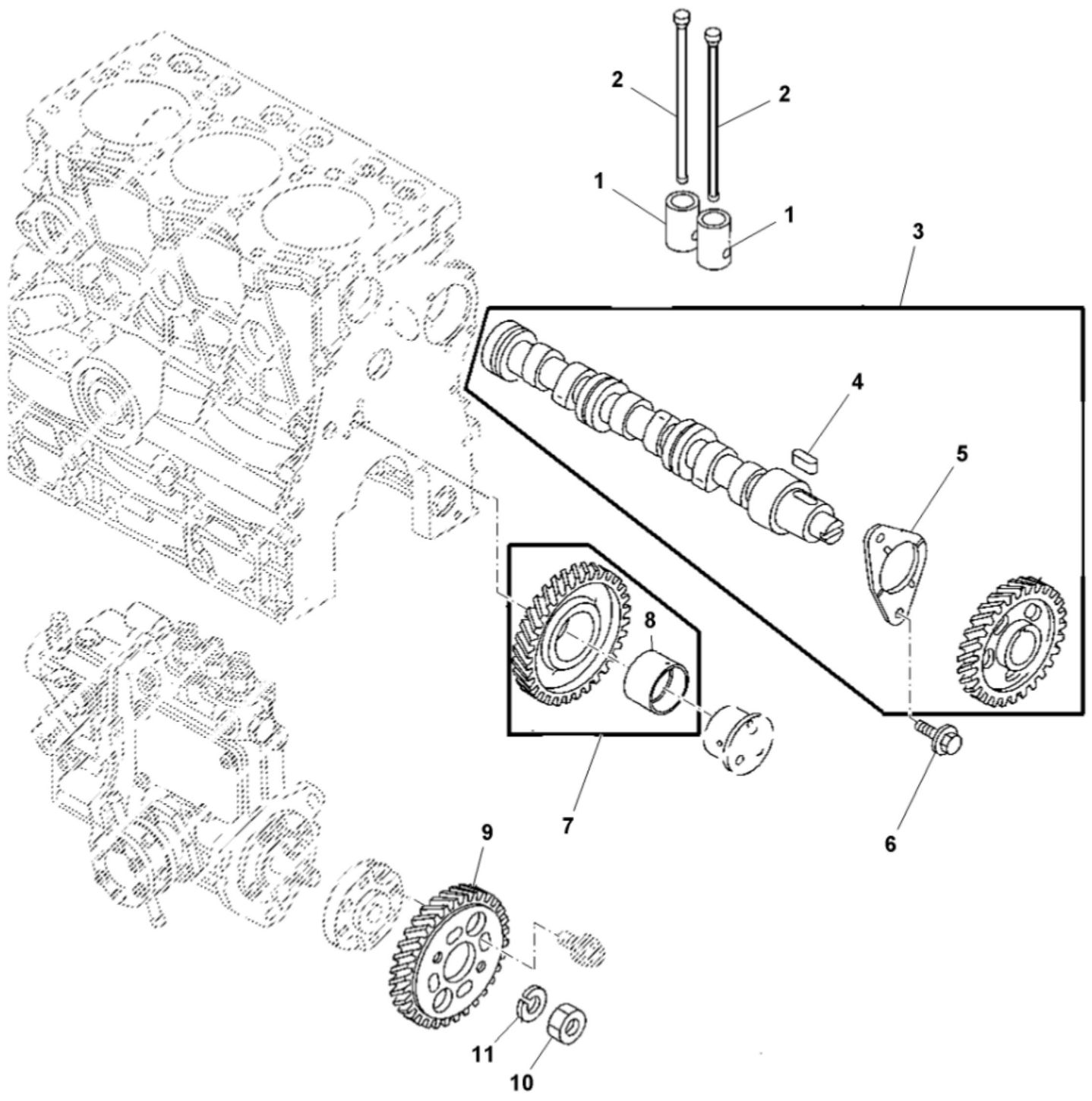
MP37303

KEY	PART NO.	PART NAME	QTY	REMARKS
1	M1A880289	CONNECTING ROD	3	
2	M811877	BOLT	2	
3	M1A880560	BEARING KIT	1	STD
3	M1A880565	BEARING	1	.25 MM (.010") US
4	M811880	BUSHING	1	
5	M1A880283	PISTON	3	STD
5	M1A880288	PISTON	3	.25 MM (.010") OS
6	M1A880285	PISTON RING KIT	1	STD
6	M1A880286	PISTON RING KIT	1	.25 MM (.010") OS
7	CH11486	RING	6	
8	MIU800313	PISTON PIN	3	



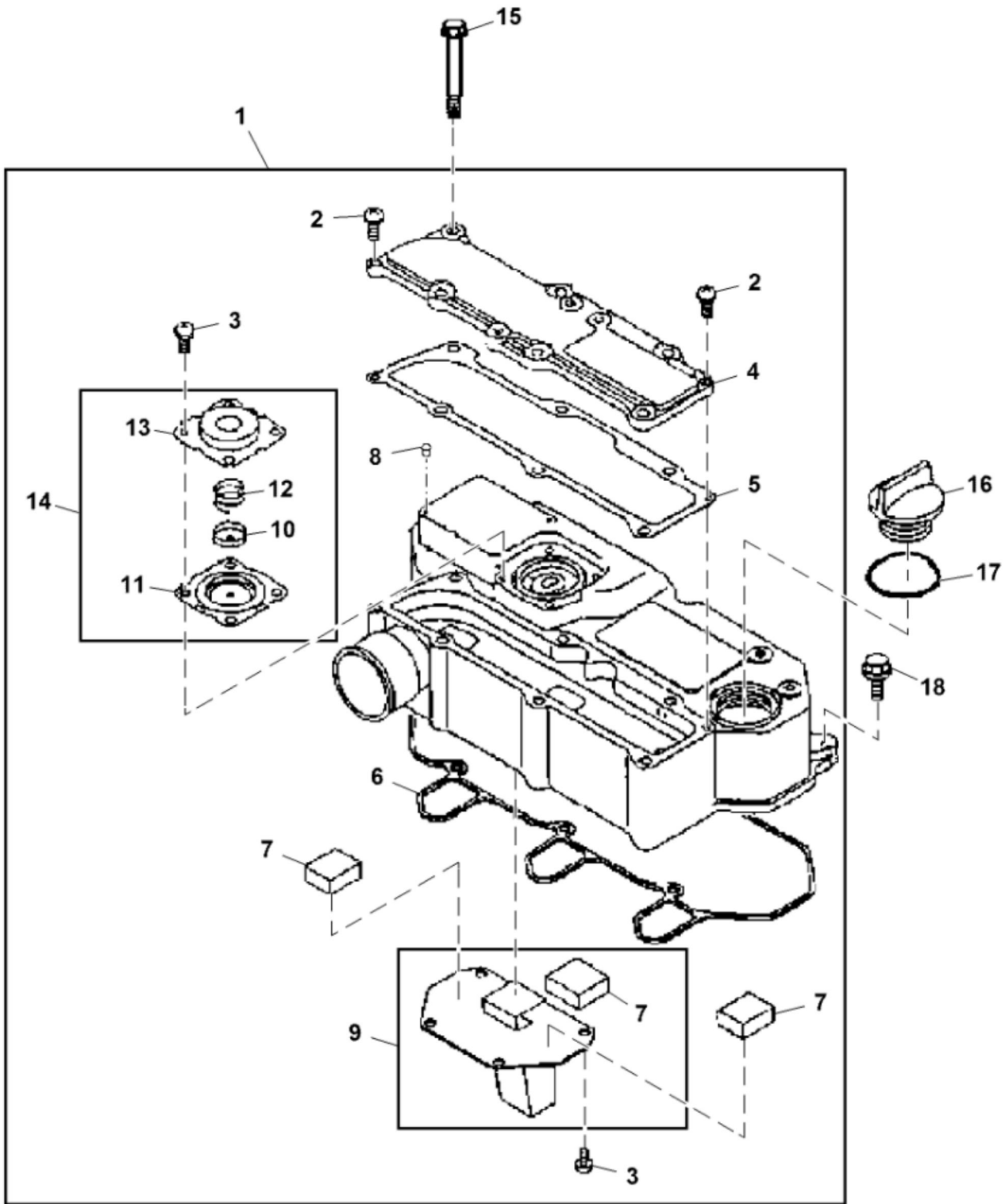
MP43281

KEY	PART NO.	PART NAME	QTY	REMARKS
1	M87887	BOLT	5	
2	MIA880632	FLYWHEEL	1	
3	M88025	RING GEAR	1	
4	MIA880282	CRANKSHAFT	1	
5	M802255	PIN	1	
6	400R	BALL	1	
7	M87812	SHAFT KEY	1	
8	M811864	GEAR	1	
9	M802254	PIN	2	
10	MIU800069	PULLEY	1	
11	M800308	WASHER	1	
12	MIU801499	BOLT	1	
13	MIA880302	HOUSING	1	
14	MIU800347	SEAL	1	
15	19M7402	CAP SCREW	3	M10 X 25
16	M87826	BOLT	10	
17	M802255	PIN	2	
18	M800011	BOLT	7	
19	MIU801495	FLANGE	1	ORDER MIU804163
19	MIU804163	FLANGE	1	
20	19M7784	SCREW	4	M10 X 20
20	M800077	BOLT	4	USE WITH MIA12260
21	MIU13920	SHAFT	1	



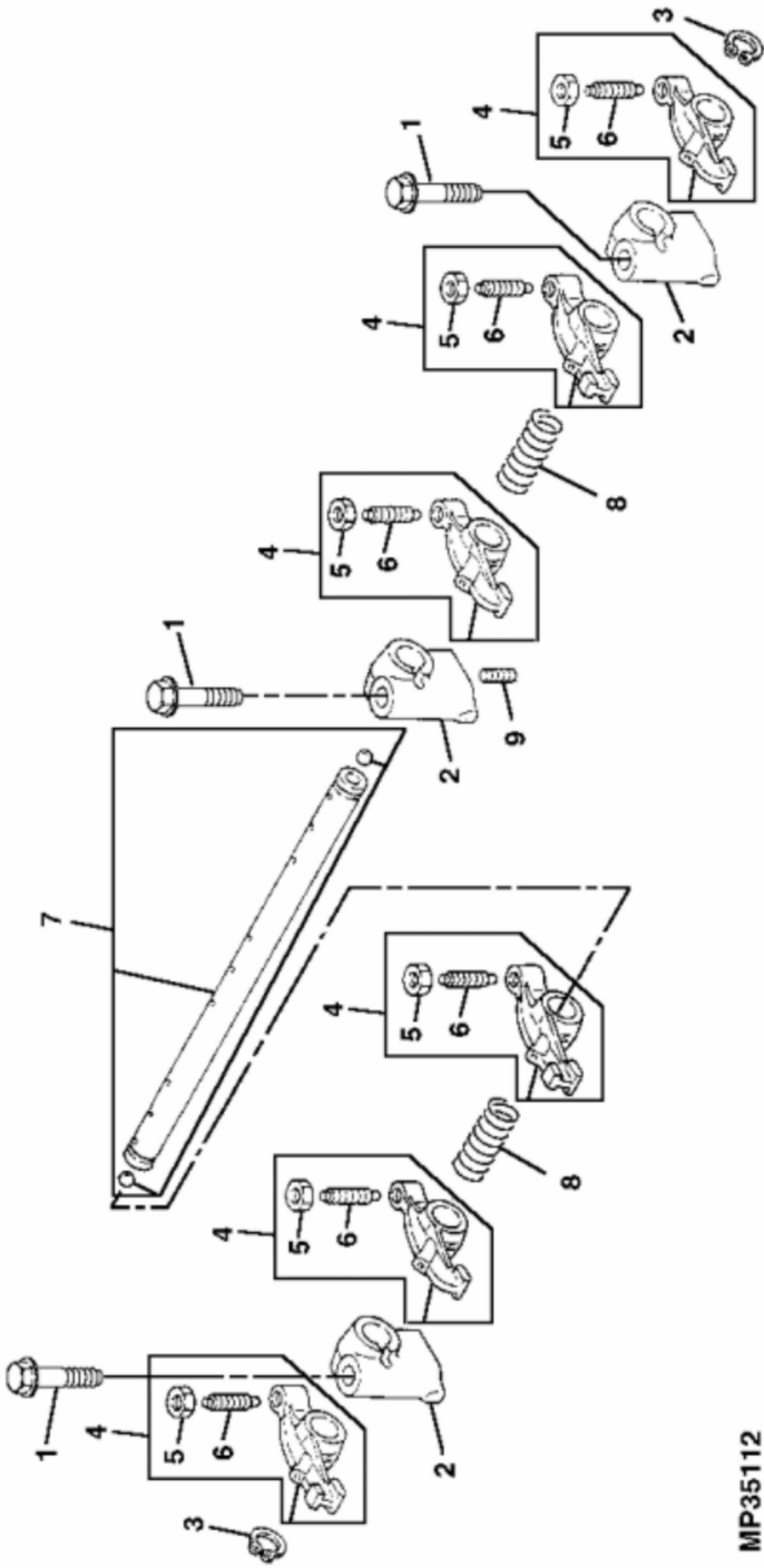
PU05858

KEY	PART NO.	PART NAME	QTY	REMARKS
1	M87813	TAPPET	6	
2	MIU800308	PUSH ROD	6	
3	MIA880536	CAMSHAFT	1	
4	M87812	SHAFT KEY	1	
5	M87810	FLANGE	1	
6	19M7774	SCREW	2	M6 X 12
7	MIA880570	IDLER GEAR	1	
8	MIU800598	BUSHING	1	
9	M811884	GEAR	1	
10	14M7275	NUT	1	M12
11	12M7067	LOCK WASHER	1	12 mm



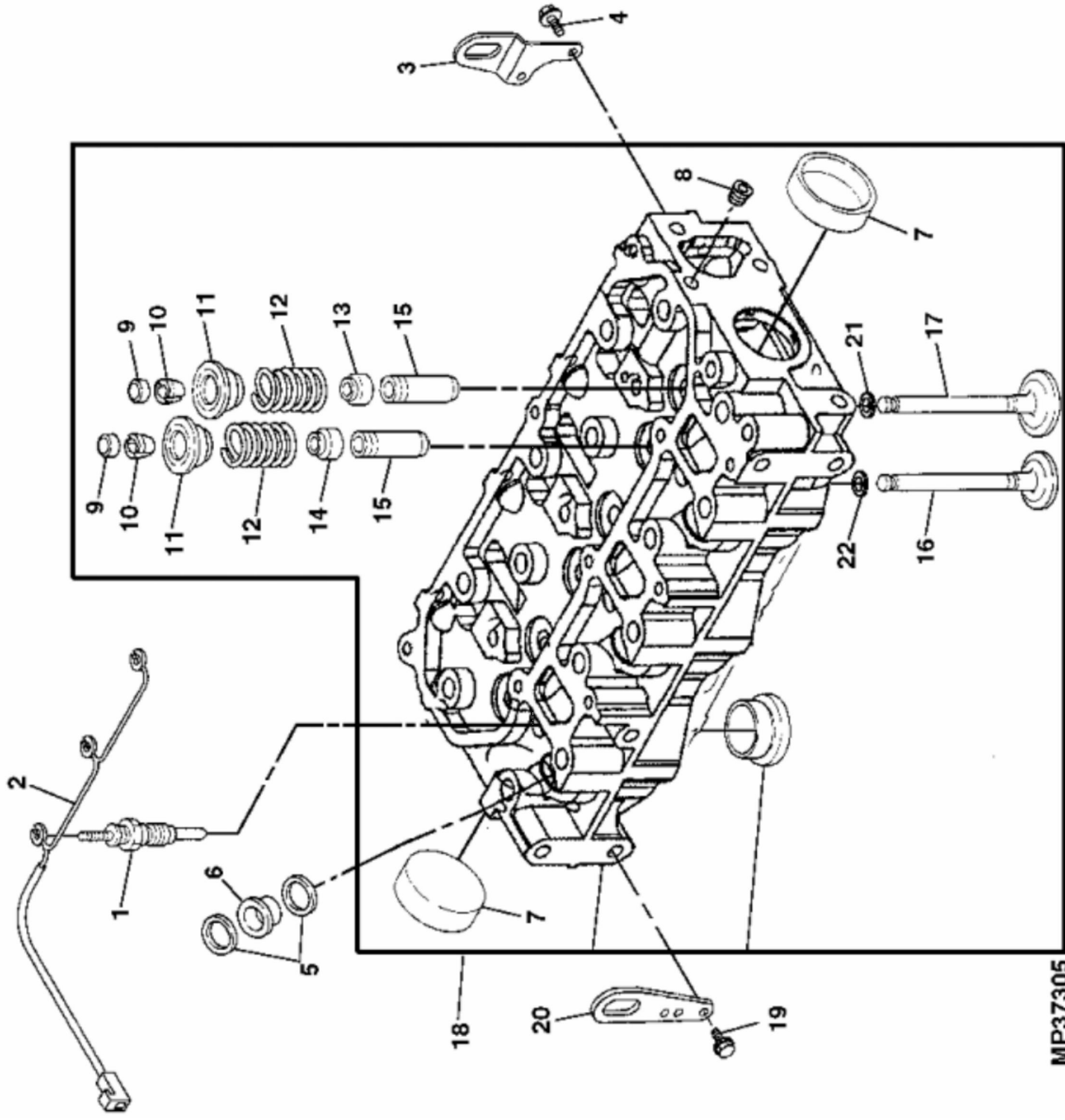
PU15190

KEY	PART NO.	PART NAME	QTY	REMARKS
1	M1A880279	VALVE COVER	1	
2	M811981	SCREW	2	
3	M807374	SCREW	8	
4	MIU800301	COVER	1	
5	MIU800302	PLATE	1	
6	MIU800300	GASKET	1	
7	M811836	DEFLECTOR	3	
8	CH10061	RIVET	4	
9	M811835	PLATE	1	Baffle
10	M811046	PLATE	1	
11	M811958	DIAPHRAGM	1	
12	M811650	SPRING	1	
13	M811649	COVER	1	
14	AM882461	DIAPHRAGM	1	
15	M800100	BOLT	6	
16	M805710	CAP	1	
17	M805711	PACKING	1	
18	19M7862	SCREW	3	M6 X 20



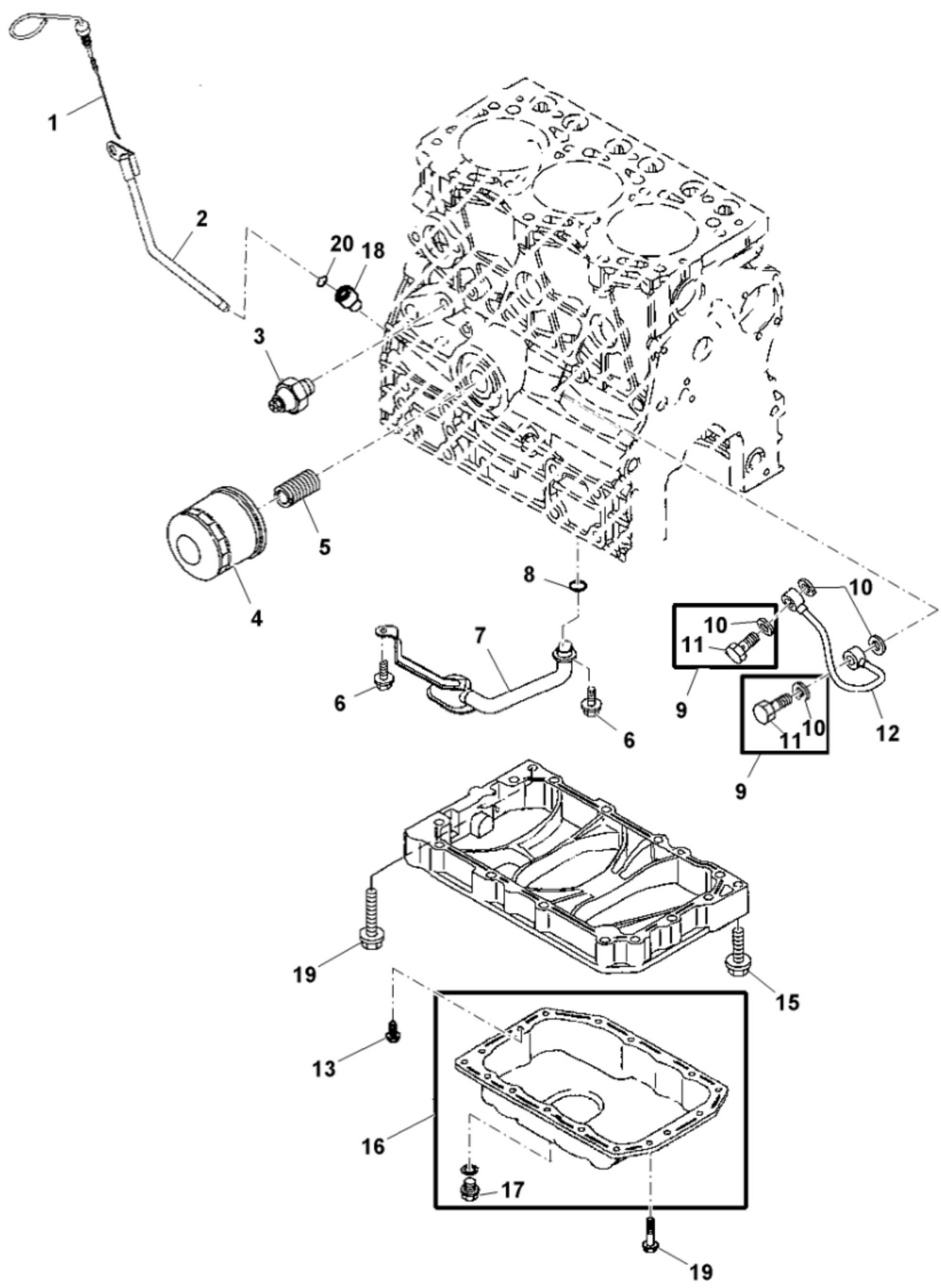
MP35112

KEY	PART NO.	PART NAME	QTY	REMARKS
1	19M8317	SCREW	3	M8 X 40
2	M811846	SUPPORT	3	
3	M87818	SNAP RING	2	
4	AM882423	ROCKER ARM	6	
5	M801028	NIUT	1	
6	M801027	SCREW	1	
7	M1A880278	ROCKER ARM SHAFT	1	
8	MIU800298	SPRING	2	
9	M87893	SCREW	1	



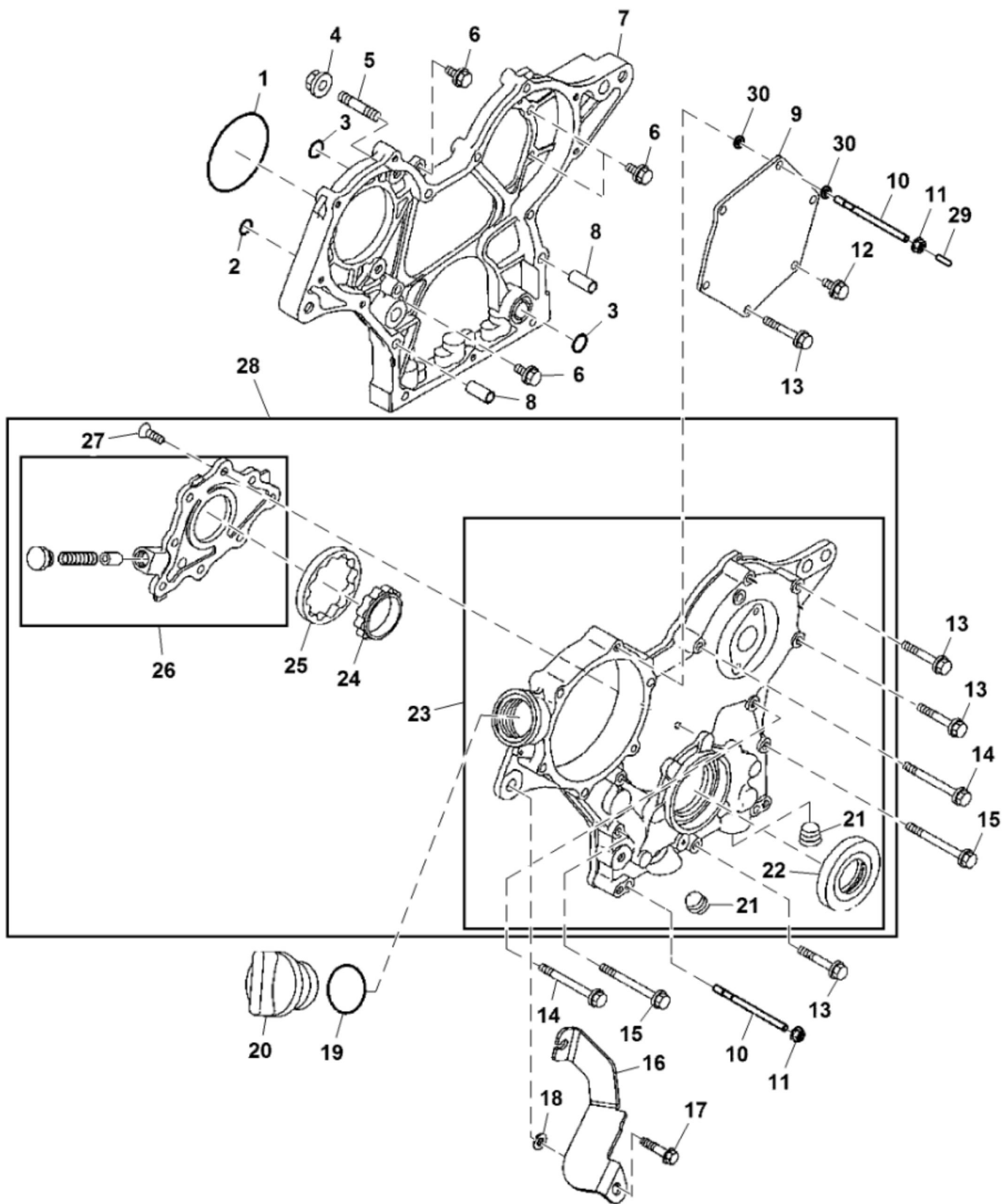
MP37305

KEY	PART NO.	PART NAME	QTY	REMARKS
1	M811937	GLOW PLUG	3	NLA; ORDER MTU802457
1	MIU802457	GLOW PLUG	3	
2	M811938	ELEC. CONNECTOR TERMINAL	1	
3	MIU800340	VALVE LIFTER	1	
4	CH19780	BOLT	2	
5	M89135	GASKET	6	
6	M811967	SHIELD	3	
7	M811808	PLUG	2	
8	M808706	PLUG	1	
9	M811804	CAP	6	
10	M811844	RETAINER	12	
11	M811966	RETAINER	6	
12	M811842	SPRING	6	
13	M811850	SEAL	3	Intake
14	M811851	SEAL	3	Exhaust
15	MIU800305	GUIDE	6	
16	MIU800295	EXHAUST VALVE	3	
17	MIU800610	INTAKE VALVE	3	
18	MIA880280	CYLINDER HEAD	1	
19	19M7865	SCREW	2	M8 X 16
20	M811037	VALVE LIFTER	1	
21	MIU800292	VALVE SEAT	3	
22	MIU800293	VALVE SEAT	3	



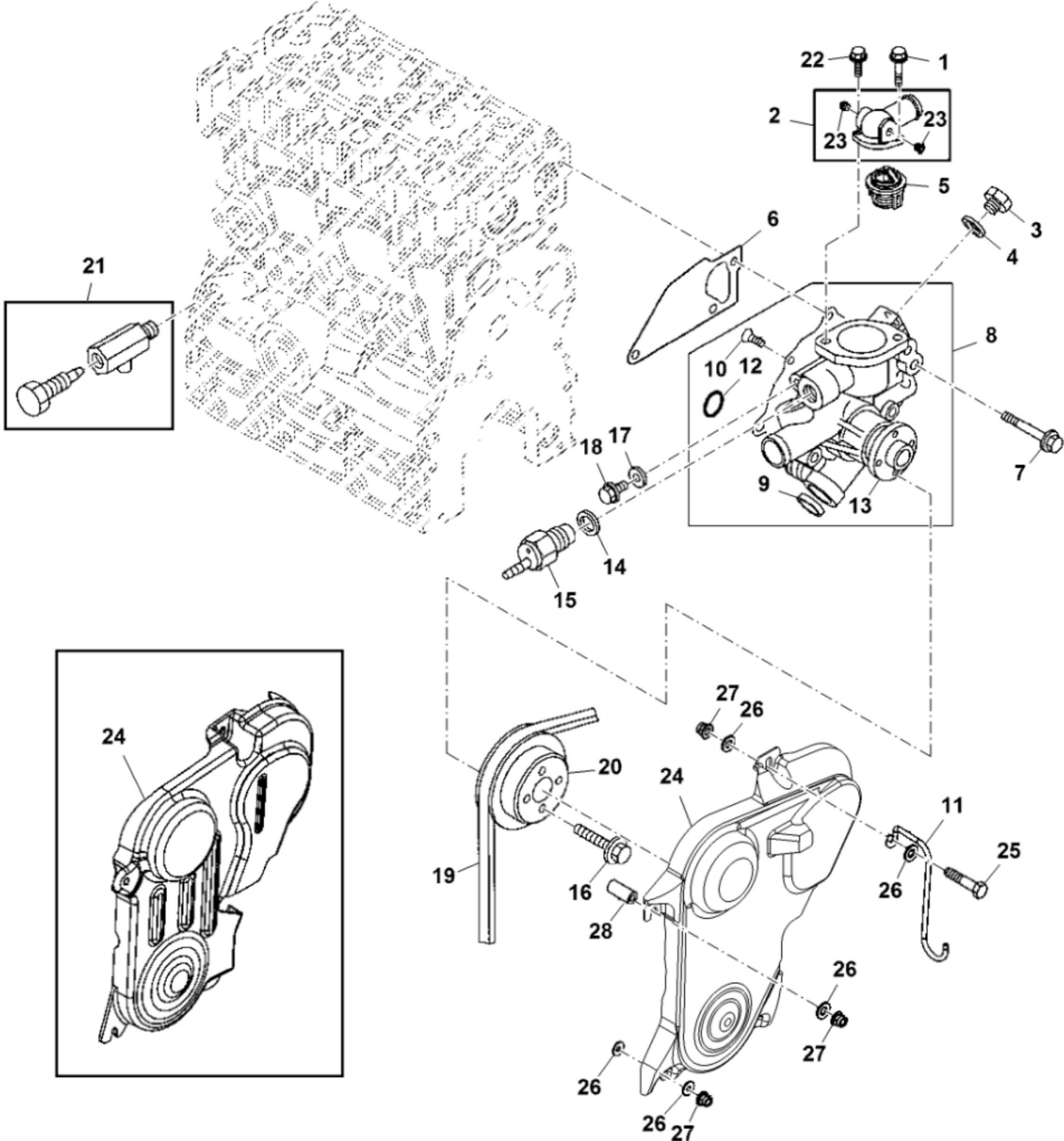
PU05859

KEY	PART NO.	PART NAME	QTY	REMARKS
1	MIU800674	DIPSTICK	1	
2	MIU800675	GUIDE	1	
3	M809526	SWITCH	1	Oil Pressure
4	M806418	OIL FILTER	1	
5	MIU801676	BOLT	1	
6	19M7300	CAP SCREW	2	M6 X 10
7	MIA880297	PIPE	1	Oil Suction
8	M811886	O-RING	1	
9	AM881809	BOLT	2	
10	M803523	WASHER	2	
11	CH16843	HOLLOW SCREW	2	
12	M811892	PIPE	1	
13	19M7774	SCREW	1	M6 X 12
14	MIU800290	SPACER	1	
15	M87869	BOLT	1	
16	MIA880523	RESERVOIR	1	
17	T111565	PLUG	1	
18	M89143	GUIDE	1	
19	M87878	BOLT	17	
20	MIU801479	PACKING	1	



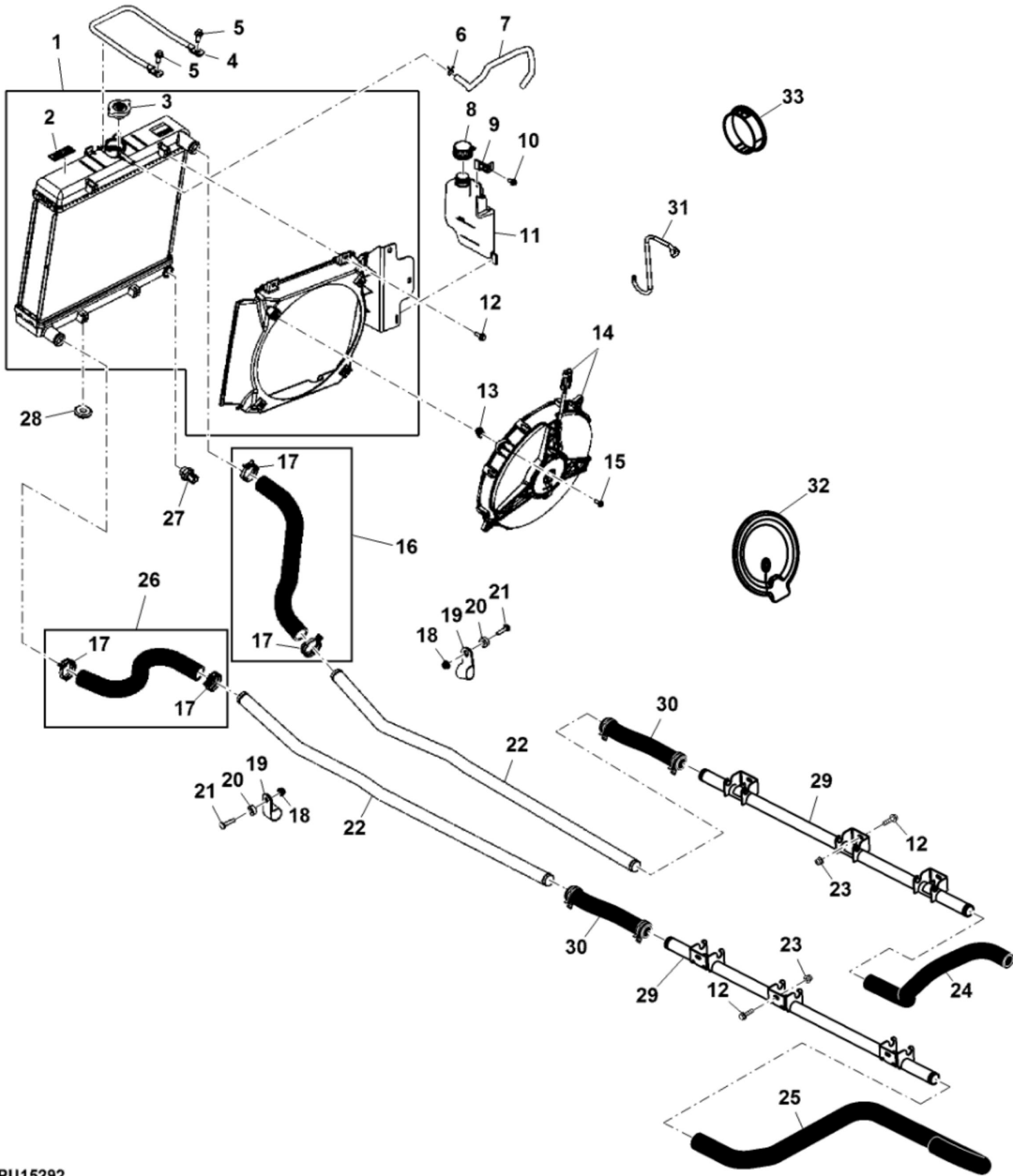
PU14084

KEY	PART NO.	PART NAME	QTY	REMARKS
1	CH16940	O-RING	1	
2	M809204	O-RING	1	
3	M811885	O-RING	3	
4	14M7298	FLANGE NUT	3	M8
5	M811820	STUD	3	
6	19M7775	SCREW	4	M6 X 16
7	M811816	GEAR CASE	1	
8	M800006	DOWEL PIN	2	
9	M811823	COVER	1	
10	MIU800281	STUD	3	
11	14M7303	FLANGE NUT	3	M6
12	19M7774	SCREW	1	M6 X 12
13	19M7797	SCREW	7	M6 X 40
14	M89120	BOLT	5	
15	M800065	BOLT	2	
16	M154240	BRACKET	1	Throttle Cable
17	19M7835	SCREW	1	M10 X 35
18	28H856	WASHER	1	0.423" X 0.675" X 3/16"
19	M805711	PACKING	1	
20	M805710	CAP	1	
21	M806938	PLUG	2	
22	M811563	SEAL	1	
23	AM882469	COVER	1	Gear Case
24	M811888	ROTOR	1	Inner
25	M811889	ROTOR	1	Outer
26	AM882435	COVER	1	
27	M811061	SCREW	8	
28	AM882445	COVER	1	Oil Pump
29	M174072	COVER	1	Thread
30	24M7139	WASHER	2	6.400 X 18 X 1.600 mm



PU15192

KEY	PART NO.	PART NAME	QTY	REMARKS
1	19M7868	SCREW	1	M8 X 30
2	MIA880301	COVER	1	
3	M800312	PLUG	1	
4	CH13814	WASHER	1	
5	M811895	THERMOSTAT	1	(71C/160F), STD
6	MIU800322	GASKET	1	
7	19M7800	SCREW	3	M8 X 50
8	MIA880292	WATER PUMP	1	ORDER MIA882092; ALSO INCLUDES MIU800071; Back Plate
8	MIA882092	WATER PUMP	1	Gasket
9	CH17101	PLUG	1	
10	M800087	SCREW	5	
11	M175289	HOSE SUPPORT	1	SUB FOR M156022; Coolant Line
12	MIU800050	O-RING	1	
12	MIU802236	O-RING	1	SUB FOR MIU800050
13	MIU800323	COVER	1	
13	MIU800071	WATER PUMP	1	
14	CH13814	WASHER	1	
15	CH15516	SWITCH	1	Water Temperature
16	19M7774	SCREW	4	M6 X 12
17	CH10554	PACKING	1	
18	19M7864	SCREW	1	M8 X 12
19	MIU800679	V-BELT	1	
20	MIU800678	PULLEY	1	
21	AM100800	DRAIN VALVE	1	
22	19M7866	SCREW	1	M8 X 20
23	MIU800282	PLUG	2	
24	M173722	SHIELD	1	SUB FOR M156021
25	19M7833	SCREW	1	M6 X 35
26	24M7139	WASHER	8	6.400 X 18 X 1.600 mm
27	14M7397	LOCK NUT	4	M6
28	M110961	SPACER	1	
29	T110736	SENSOR	1	Not Illustrated; Water Temperature



PU15292

KEY	PART NO.	PART NAME	QTY	REMARKS
1	AM138710	RADIATOR	1	Soly
2	M173253	LABEL	1	SUB FOR APPL M117554
3	M802715	FILLER CAP	1	
4	M159378	ROD	1	
5	GX24485	SCREW	2	M8 X 16
6	TY22462	CLAMP	1	
7	HOSE	1	MAKE FROM TY22551)
8	M177549	CAP	1	SUB FOR M159659
9	M148646	CLIP	1	
10	37H230	SCREW	1	
11	M148645	RESERVOIR	1	
12	19M7775	SCREW	10	M6 X 16
13	GC00309	NIUT	4	
14	AM138384	FAN	1	
15	19M7863	SCREW	4	M6 X 25
16	AM141559	RADIATOR HOSE	1	Upper
17	TY22467	CLAMP	4	
18	14M7303	FLANGE NUT	2	M6
19	T140924	CLAMP	2	
20	M112535	SPACER	2	
21	03M7290	BOLT	2	M6 X 30
22	M162821	TUBE	2	
23	14M7397	LOCK NUT	6	M6
24	M156031	HOSE	1	ORDER M170157; Outlet
24	M170157	RADIATOR HOSE	1	Outlet
25	M159036	HOSE	1	ORDER M170152; Inlet
25	M170152	RADIATOR HOSE	1	Inlet
26	AM141558	RADIATOR HOSE	1	Lower
27	VG11759	SWITCH	1	
28	R117581	GROMMET	2	ORDER M165155
28	M165155	GROMMET	2	
29	AM142778	COOLANT MANIFOLD	2	
30	AM142789	RADIATOR HOSE	2	
30	AM140614	DRAIN PLUG	2	Not Illustrated
31	M175289	HOSE SUPPORT	1	SUB FOR M156022

KEY	PART NO.	PART NAME	QTY	REMARKS
32	M170035	GROMMET	1	
33	M156180	PLUG	1	USE WITH M1A12260

Please write to us.

Our email:

aservicemanualpdf@yahoo.com

**Please go to the homepage
to get the full manual, or
other brand PDF manuals.**

Home Site:

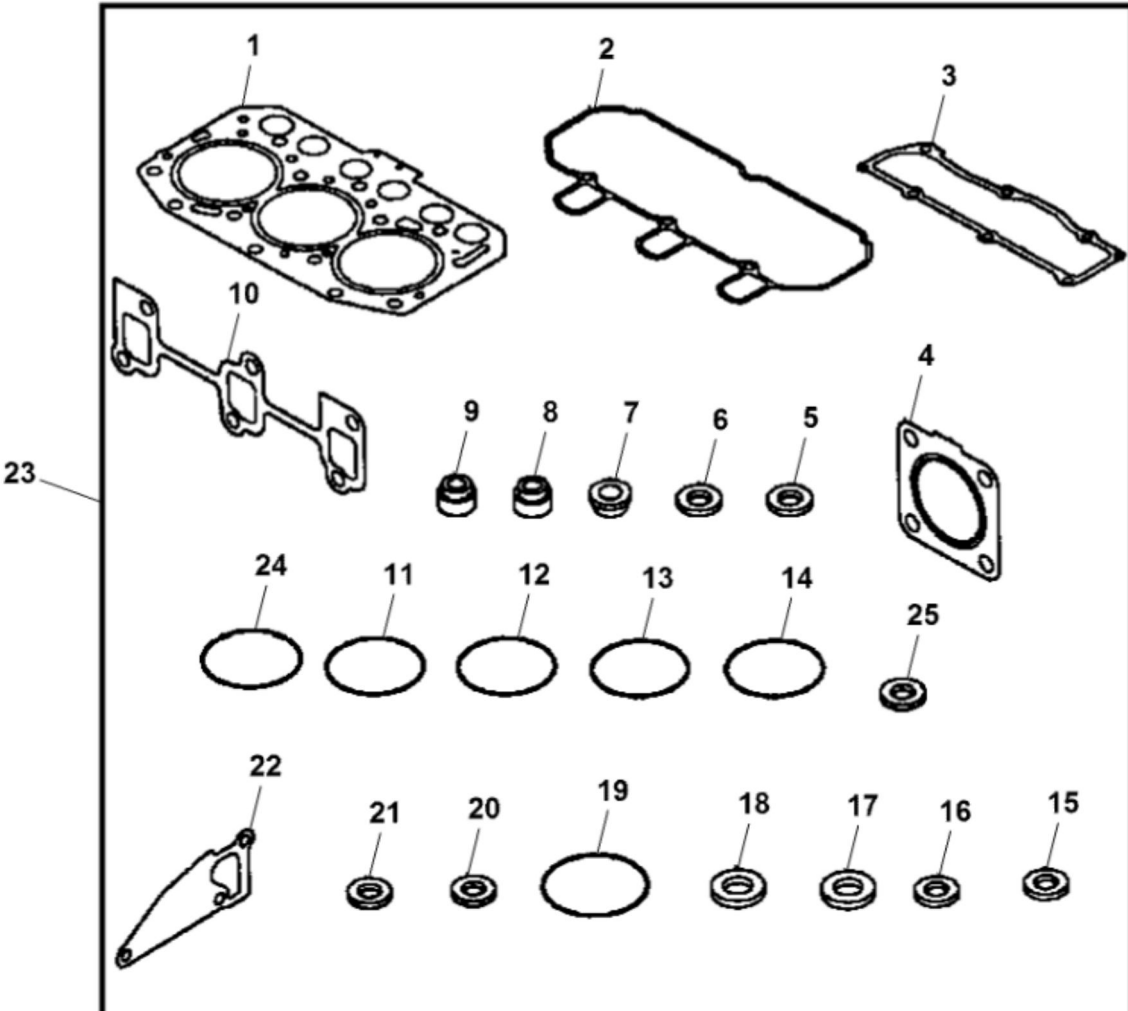
aservicemanualpdf.com

Thank you very much for your reading. Please Click Here. Then Get COMPLETE MANUAL. NO WAITING



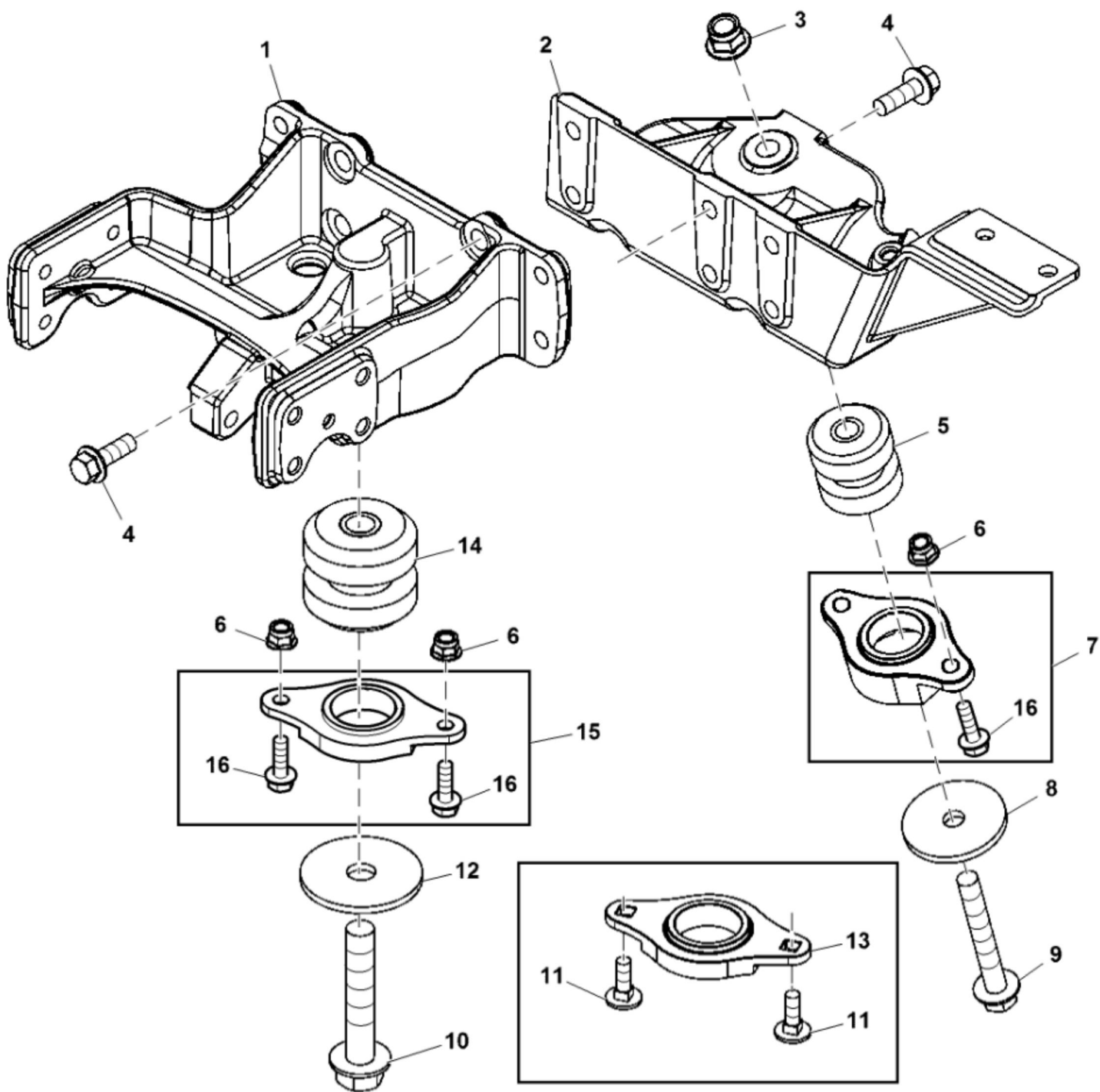
NOTE:

If there is no response to click on the link above, please download the PDF document first and then click on it.



PU14087

KEY	PART NO.	PART NAME	QTY	REMARKS
1	MIU800288	GASKET	1	NLA; ORDER MIU802005; Cylinder Head
1	MIU802005	GASKET	1	Cylinder Head
2	MIU800300	GASKET	1	Valve Cover
3	MIU800302	PLATE	1	Baffle
4	M811809	GASKET	1	Exhaust
5	M89135	GASKET	6	Nozzle
6	T110737	GASKET	1	
7	M811967	SHIELD	3	Nozzle
8	M811850	SEAL	3	Intake Valve Stem
9	M811851	SEAL	3	Exhaust Valve Stem
10	M811857	GASKET	1	Manifold
11	M809204	O-RING	1	
12	M811885	O-RING	3	
13	M811886	O-RING	1	
14	M805711	O-RING	2	
15	M811568	WASHER	3	
16	CH10554	WASHER	1	
17	M803523	WASHER	4	
18	M806438	WASHER	4	
19	CH16940	O-RING	1	
20	CH13814	WASHER	1	
21	M811968	GASKET	3	
22	MIU800322	GASKET	1	Water Pump
23	MIA880305	GASKET KIT	1	ORDER MIA883634
23	MIA883634	GASKET KIT	1	
24	MIU802534	WASHER	1	
25	M811567	WASHER	4	



PU18846