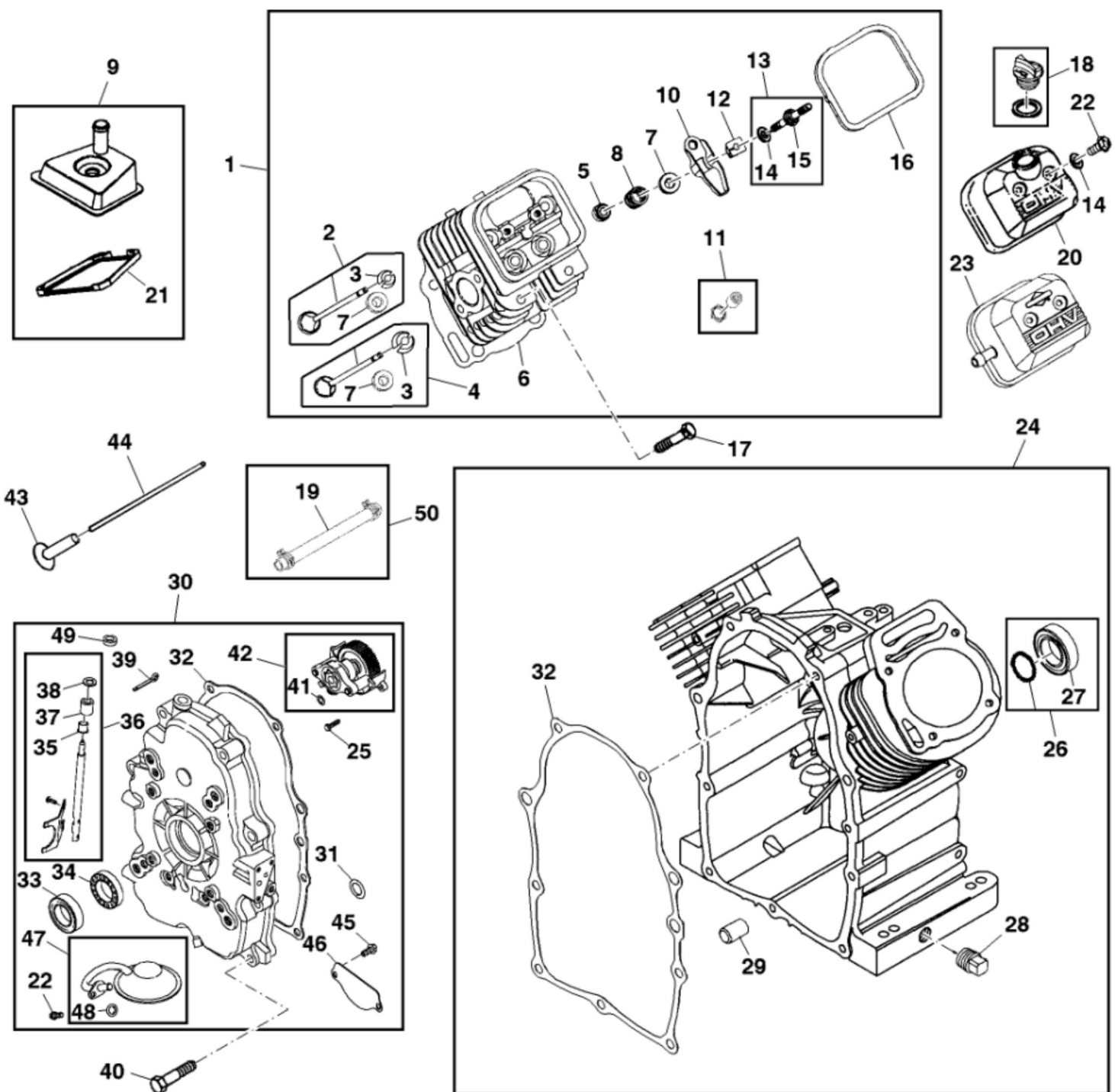


PU15898

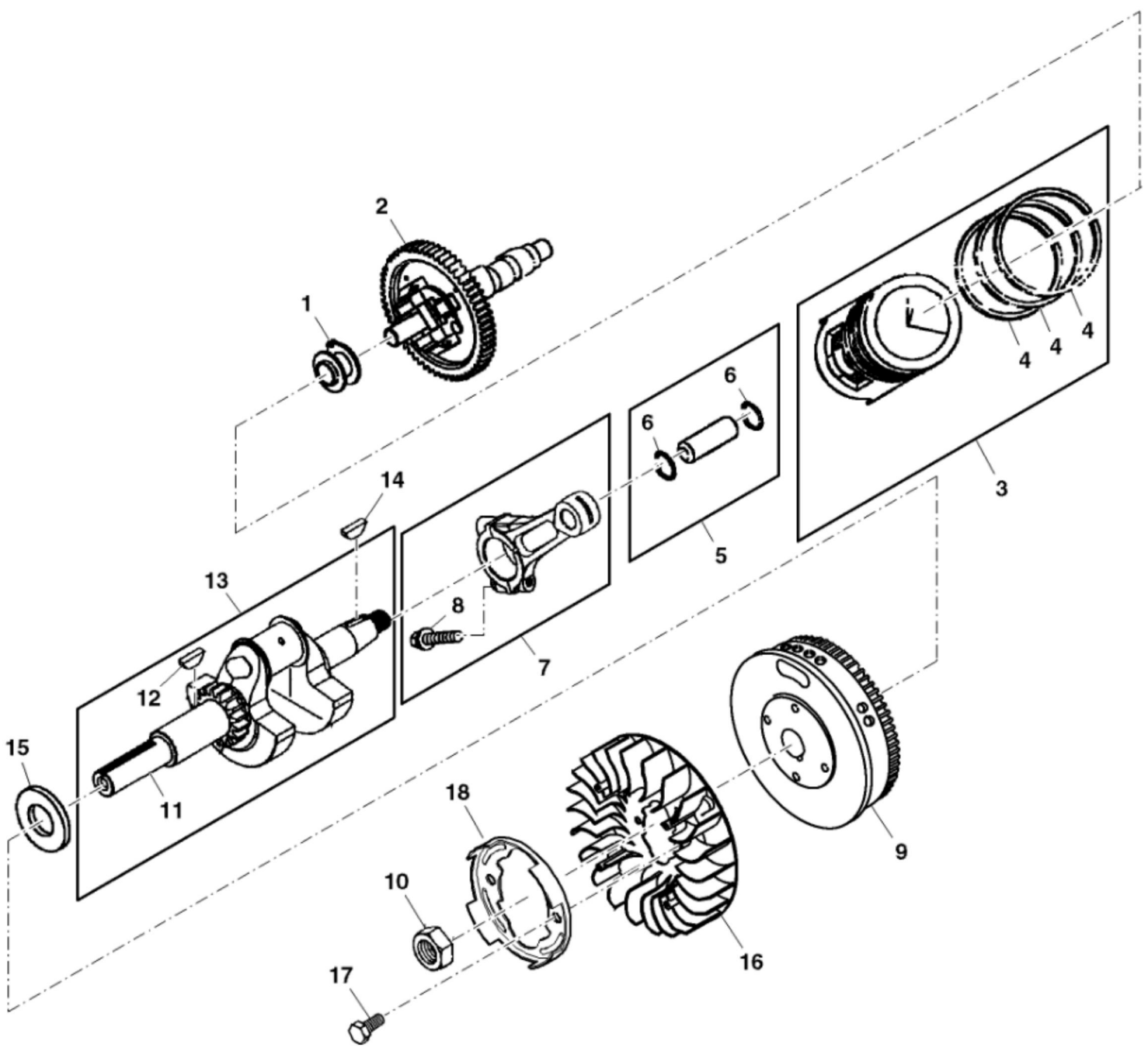
KEY	PART NO.	PART NAME	QTY	REMARKS
1	14M7298	FLANGE NUT	4	M8
2	14M7296	FLANGE NUT	6	M10
3	19M7784	SCREW	6	M10 X 20
4	19M8318	SCREW	4	M8 X 45
5	19M8505	SCREW	4	M6 X 25
6	M160633	BRACKET	1	Pan
7	M161070	AIR DUCT	1	Intake
8	M161571	ADAPTER FITTING	1	
9	M163158	EXTENSION SPRING	1	
10	M173599	HOSE CLAMP	1	SUB FOR APPL AR21839 AND TY22467
11	M163119	DUST SHIELD	1	NLA; ORDER M169526
11	M169526	DUST SHIELD	1	
12	19M7865	SCREW	1	M8 X 16
13	M1A12834	GASOLINE ENGINE	1	
14	M162585	HOSE CLAMP	1	
15	MIU13202	GASKET	1	
16	M117459	CLIP	1	
17	M164585	HOSE CLAMP	1	



PU15634

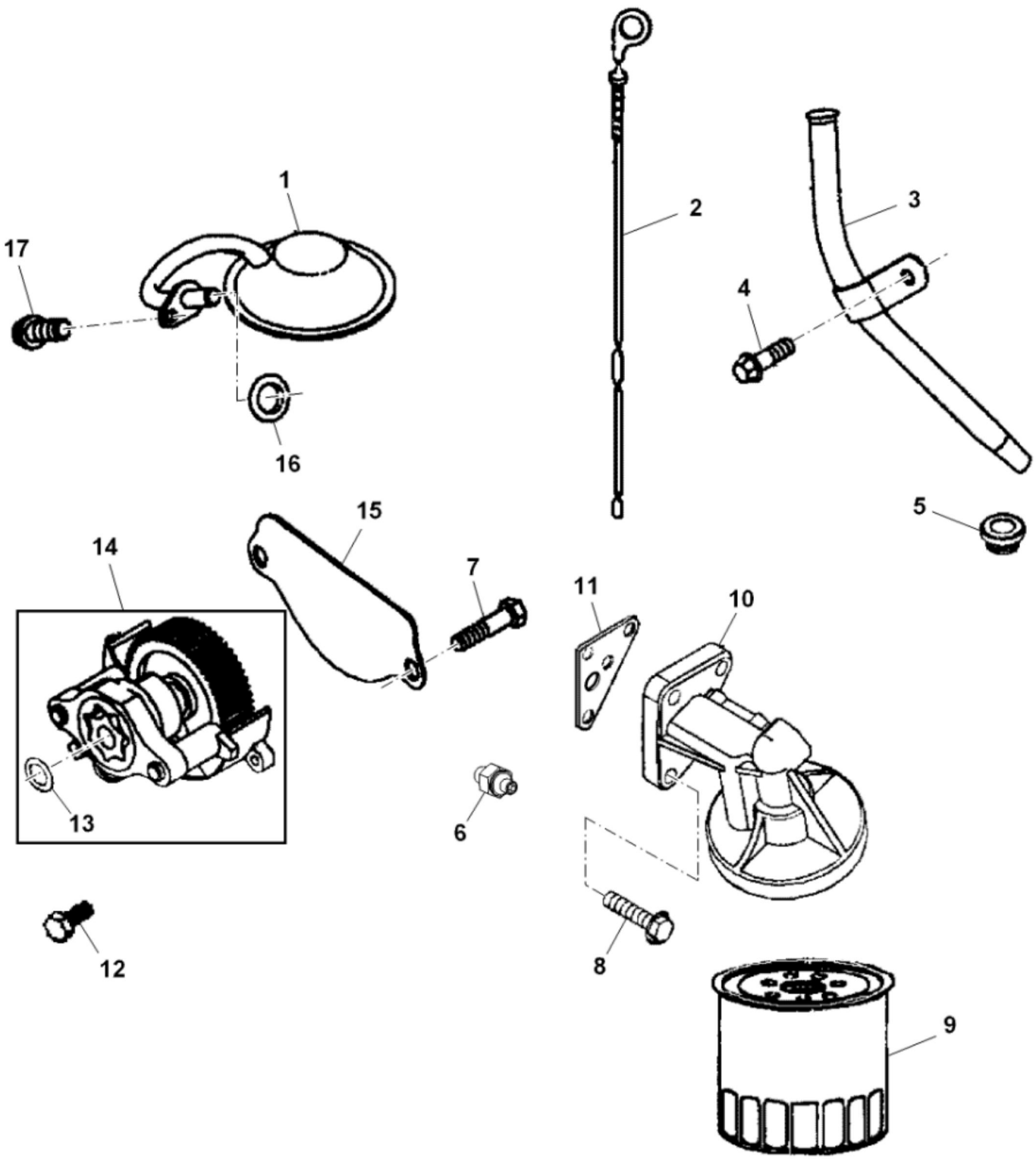
KEY	PART NO.	PART NAME	QTY	REMARKS
1	MIA12285	CYLINDER HEAD	1	Cylinder 1
1	MIA12286	CYLINDER HEAD	1	Cylinder 2
2	LG807681	EXHAUST VALVE	2	
3	LG807683	RETAINER	2	
4	LG807680	INTAKE VALVE	2	
5	LG691963	SEAL	2	Valve
6	UC10273	GASKET	1	SUB FOR LG690888
7	LG692058	GUIDE	4	
8	LG692084	SPRING	2	
9	AM134610	BREATHER	1	
10	M152423	ARM	2	Rocker
11	LG807623	SCREW	2	
12	MIU11035	ROCKER ARM	2	
13	AM132460	STUD	2	
14	M147828	WASHER	5	
15	M147829	STUD	1	
16	LG8060395	GASKET	2	Valve Cover
17	LG692059	CAP SCREW	8	
18	MIA11527	CAP	1	Oil Fill
19	MIU11187	HOSE CLAMP	2	
20	MIA12111	COVER	1	
21	M146343	GASKET	1	
22	MIU13326	SCREW	5	
23	LG691494	COVER	1	
24	MIA12284	CYLINDER BLOCK	1	
25	LG691492	CAP SCREW	1	
26	LG808534	BUSHING	1	W/ Seal
27	LG805101S	SEAL	1	
28	LG690946	DRAIN PLUG	2	NLA; ORDER 15H623
28	15H623	PIPE PLUG	1	3/8"
29	M145399	DOWEL PIN	2	
30	MIA12288	COVER	1	NLA; ORDER MIA12114
30	MIA12114	CRANKCASE	1	
31	LG692154	SEAL	1	
32	MIU12287	GASKET	1	NLA; ORDER MIU11265

KEY	PART NO.	PART NAME	QTY	REMARKS
32	MIU11265	GASKET	1	NLA; ORDER MIU13345
32	MIU13345	GASKET	1	NLA; ORDER MIU14235
32	MIU14235	GASKET	1	
33	LG805049S	SEAL	1	
34	MIU13166	BALL BEARING	1	
35	M144914	BUSHING	1	
36	AM131177	CRANK	1	Governor
37	LG690701	BUSHING	1	
38	MIU13164	SEAL	1	
39	LG691550	CLIP	1	
40	19M7269	CAP SCREW	9	M8 X 50
41	LG690681	SEAL	1	
42	M1A12115	OIL PUMP	1	
43	MIU12286	VALVE	4	
44	LG691836	PUSH ROD	2	Steel
44	LG691758	PUSH ROD	2	Aluminum
45	M152455	SCREW	2	
46	M152418	DEFLECTOR	1	
47	M152415	SCREEN	1	
48	M152419	SEAL	1	
49	LG690704	WASHER	1	
50	M1A11526	HOSE	1	NLA; ORDER TY22551
50	TY22551	BULK HOSE	1	



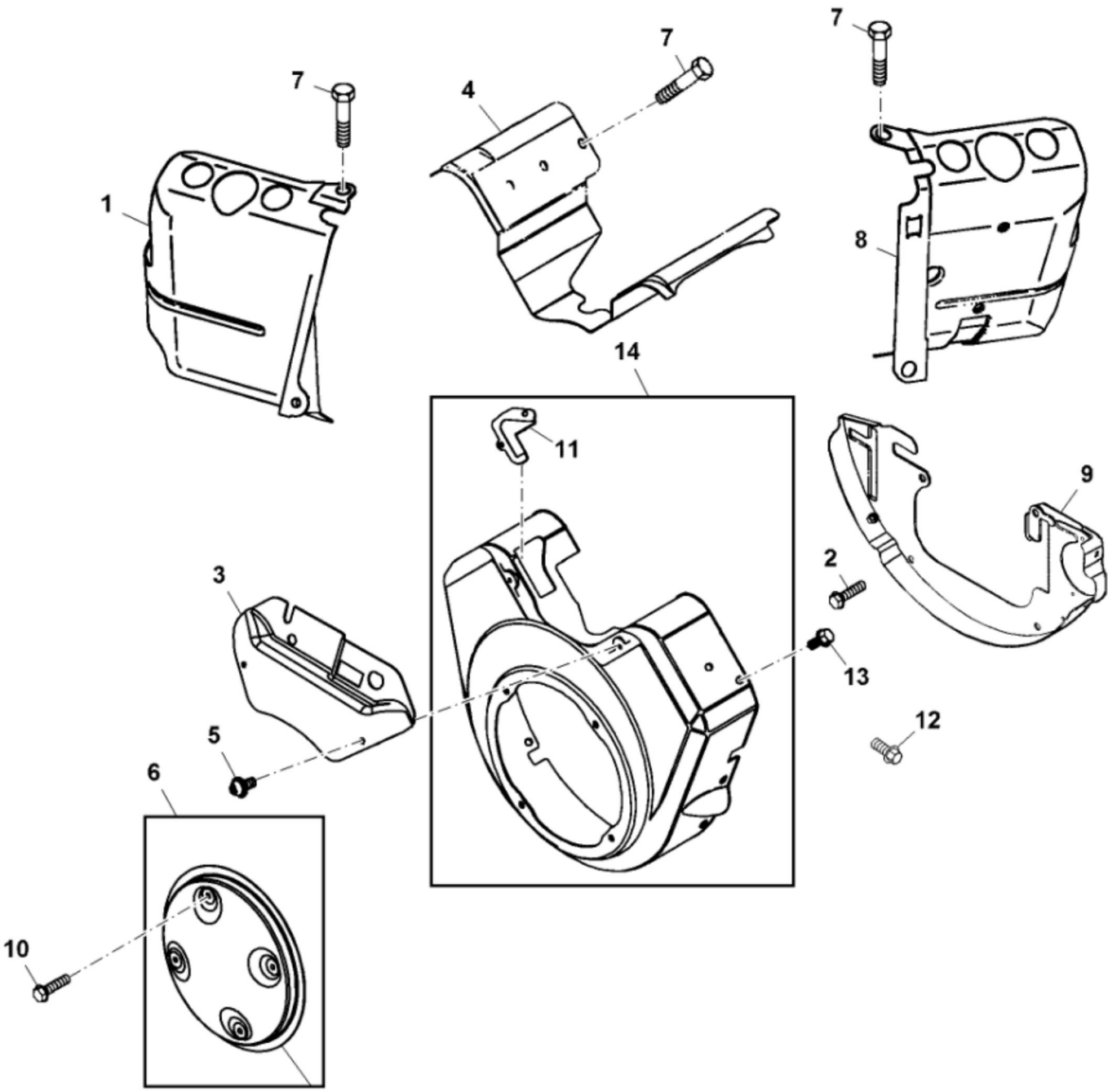
PU04092

KEY	PART NO.	PART NAME	QTY	REMARKS
1	LG690689	SPOOL	1	Governor
2	MIU13896	CAMSHAFT	1	SUB FOR LG691557; INCLUDES MIU12286
3	MIA11406	PISTON	2	Standard
3	MIA11407	PISTON	2	0.020", OS
4	MIU12116	PISTON RING KIT	1	Standard
4	MIU12117	PISTON RING KIT	1	0.020", OS
5	MIA12112	PISTON PIN	2	
6	LG690975	LOCK	4	
7	LG8079005	CONNECTING ROD	2	
8	LG690698	SCREW	4	
9	MIU13341	FLYWHEEL	1	High Capacity Flywheel and stator
10	LG690887	NUT	1	
11	LG691530	GEAR	1	
12	LG691639	SHAFT KEY	1	Timing
13	MIA12287	CRANKSHAFT	1	
14	M145150	SHAFT KEY	1	
15	M152417	SHIM	1	
16	MIU13344	FAN	1	
17	LG691058	BOLT	2	
18	LG690452	RETAINER	1	



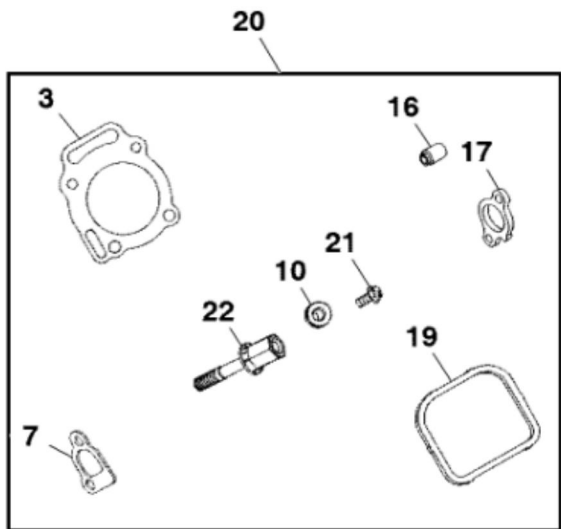
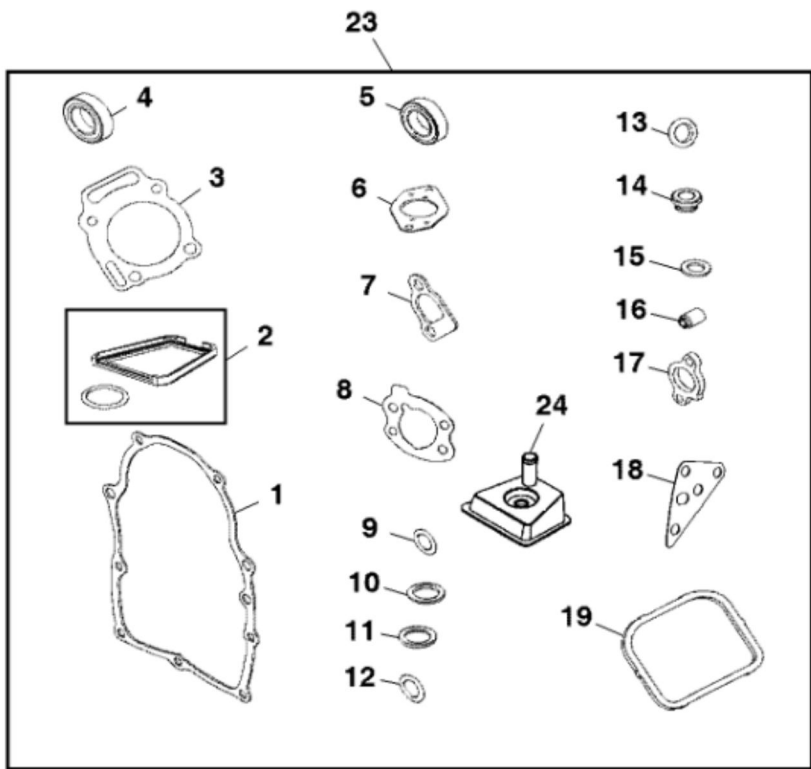
PU04539

KEY	PART NO.	PART NAME	QTY	REMARKS
1	M152415	SCREEN	1	
2	M152453	DIPSTICK	1	
3	MIU13327	DIPSTICK TUBE	1	
4	LG692062	CAP SCREW	1	
5	M152424	SEAL	1	Dipstick Tube
6	MIU13329	SENSOR	1	NLA; ORDER AM142771
6	AM142771	TEMPERATURE SENSOR	1	
7	M152455	SCREW	2	
8	LG690679	CAP SCREW	2	
9	AM125424	OIL FILTER	1	
10	LG808235	ADAPTER FITTING	1	
11	LG692063	GASKET	1	
12	LG691492	CAP SCREW	2	
13	LG690681	SEAL	1	
14	M1A12115	OIL PUMP	1	
15	M152418	DEFLECTOR	1	
16	M152419	SEAL	1	Oil Pump Screen
17	M147829	SCREW	2	



PU15635

KEY	PART NO.	PART NAME	QTY	REMARKS
1	M152464	COVER	1	
2	MIU11531	SCREW	4	
3	MIU13340	COVER	1	
4	MIU12293	COVER	1	
5	M147838	SCREW	2	
6	MIU12295	SCREEN	1	
7	M152455	SCREW	4	
8	MIU11532	COVER	1	
9	MIU13339	PLATE	1	
10	MIU12296	SCREW	4	
11	M152458	PLUG	1	
12	LG692067	CAP SCREW	2	
13	LG692056	CAP SCREW	2	
14	MIU13338	HOUSING	1	



PU07886

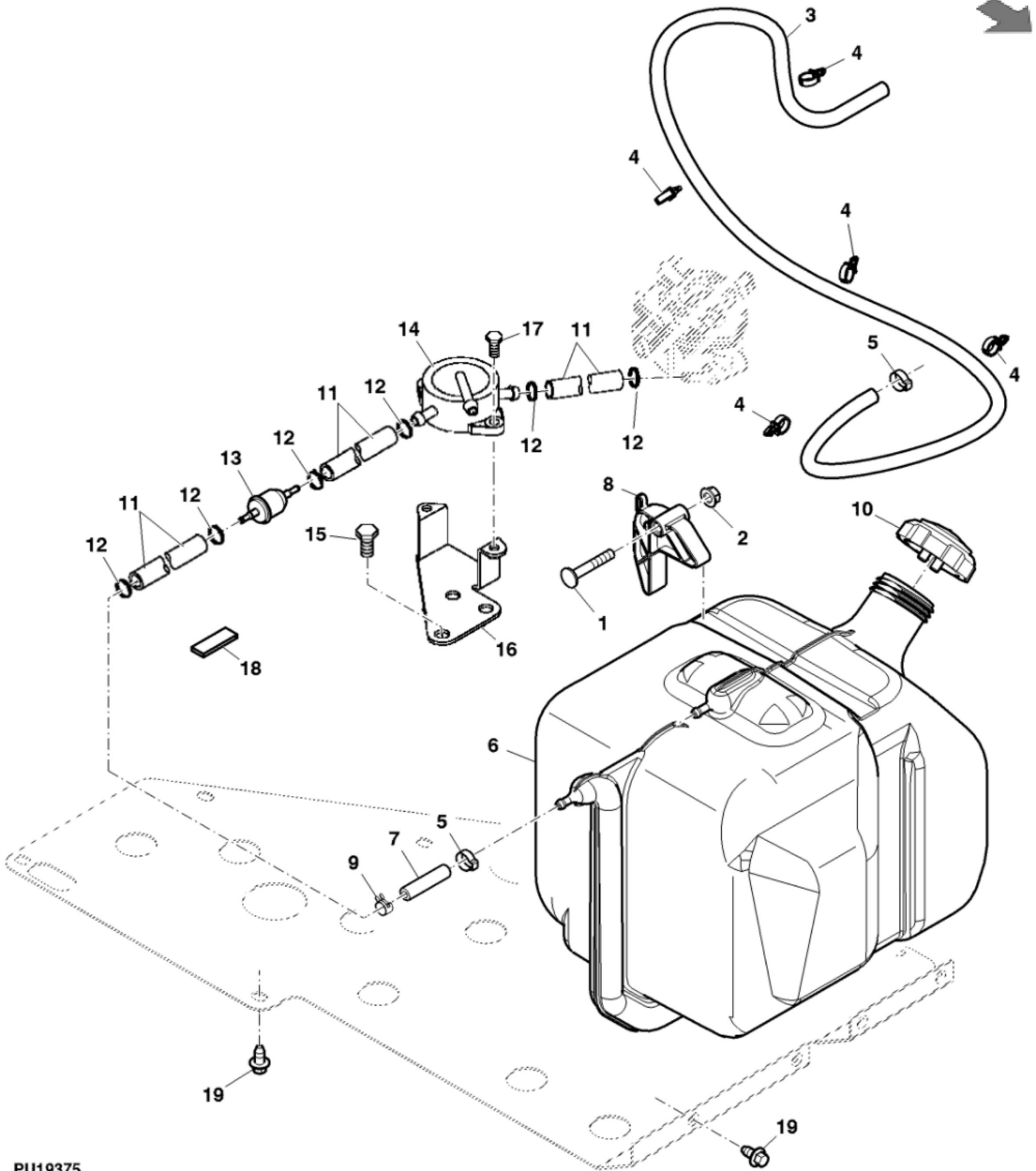
KEY	PART NO.	PART NAME	QTY	REMARKS
1	MIU13345	GASKET	1	NLA; ORDER MIU14235
1	MIU14235	GASKET	1	
2	M146343	GASKET	1	
3	UC10273	GASKET	1	SUB FOR LG690888
4	LG805101S	SEAL	1	
5	LG805049S	SEAL	1	
6	LG691694	GASKET	2	
7	LG692035	GASKET	2	
8	MIU13172	GASKET	1	
9	LG690681	SEAL	1	
10	M147828	WASHER	4	
11	M152447	WASHER	1	
12	LG692154	SEAL	1	
13	M152419	SEAL	1	
14	M152424	SEAL	1	
15	MIU13164	SEAL	1	
16	LG691963	SEAL	1	
17	LG691613	GASKET	2	
18	LG692063	GASKET	1	
19	LG806039S	GASKET	1	
20	M1A12109	VALVE KIT	1	
21	M147829	SCREW	4	
22	AM132460	STUD	2	
23	M1A12295	GASKET KIT	1	
24	AM134610	BREATHER	1	

1



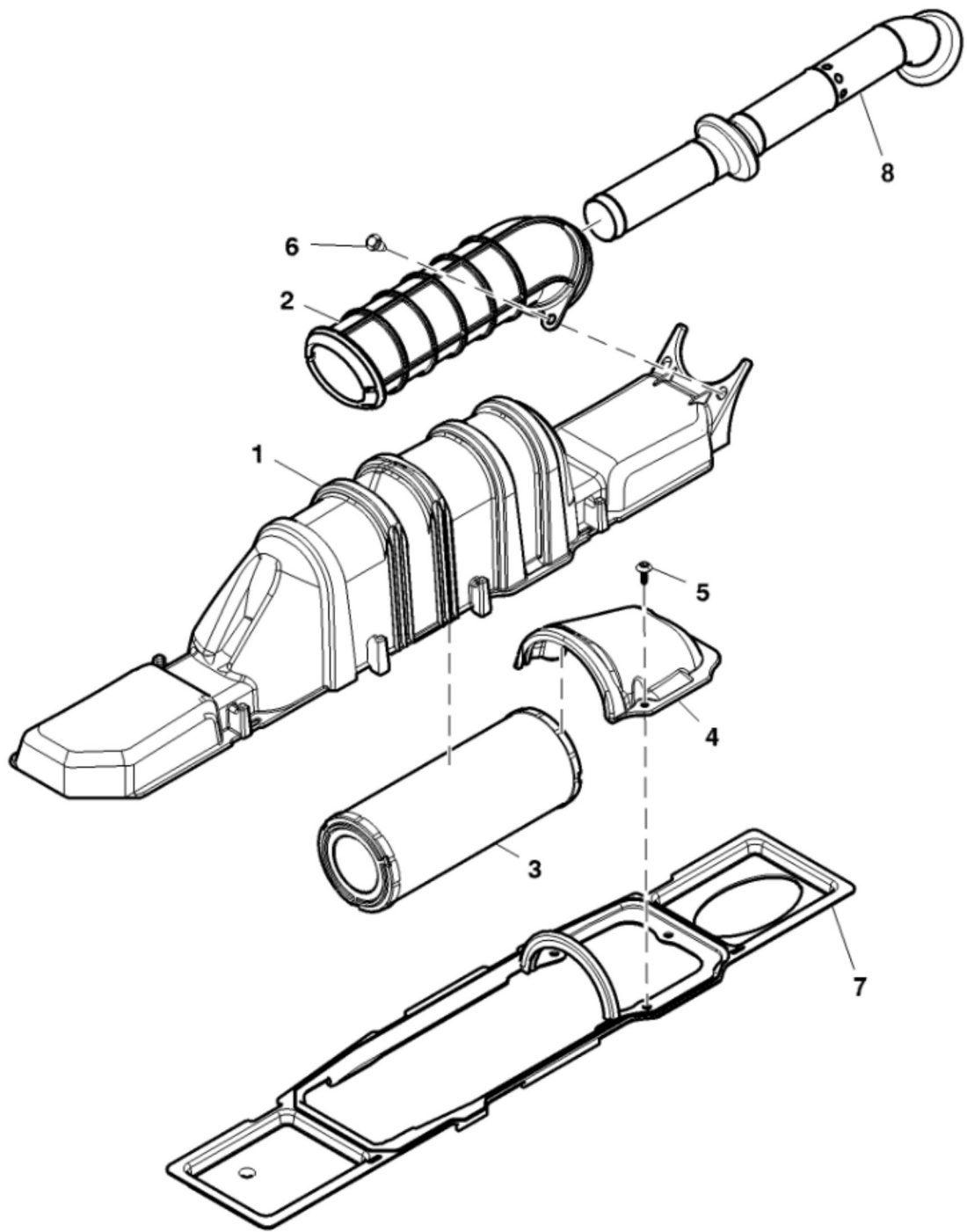
MX293451

KEY	PART NO.	PART NAME	QTY	REMARKS
1	LG273	MAINTENANCE KIT	1	Home Maintenance (Includes Filter, Oil, Oil Change Sticker And Spark Plug(S) - Where Applicable), (Actual Kit Contents May Differ From Photo)



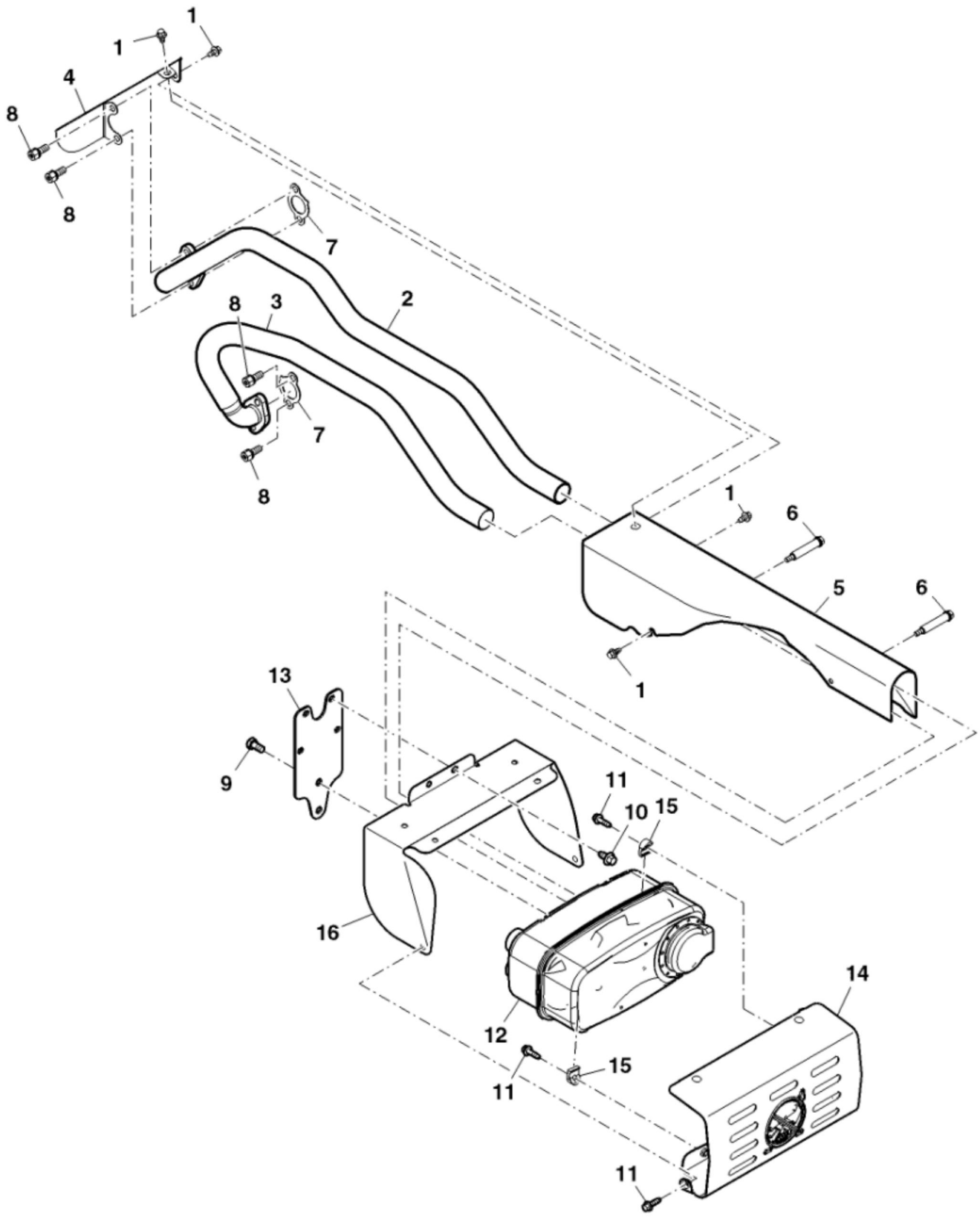
PU19375

KEY	PART NO.	PART NAME	QTY	Serial No.	REMARKS
1	03M7216	BOLT	1		M8 X 50
2	14M7298	FLANGE NUT	1		M8
3	DT5199	BULK HOSE	1		NLA; ORDER TY22551
3	TY22551	BULK HOSE	1	____-040000	
3	M173591	HOSE	1	040001-____	
4	M117459	CLIP	5		
5	M156207	HOSE CLAMP	2		
6	M160703	FUEL TANK	1		
7	M160705	HOSE	1		
8	M161964	BRACKET	1		
9	R56101	CLIP	1		SUB FOR M68342
10	AM142833	CAP	1		
11	M1A10629	FUEL LINE	1		
12	LG691038	CLAMP	6		
13	AM116304	FUEL FILTER	1		
14	LG808656	FUEL PUMP	1		
15	M144918	SCREW	1		
16	LG691559	BRACKET	1		NLA
17	M147829	SCREW	2		
18	M167529	PAD	1		
19	37M7463	SCREW	10		M8 X 16



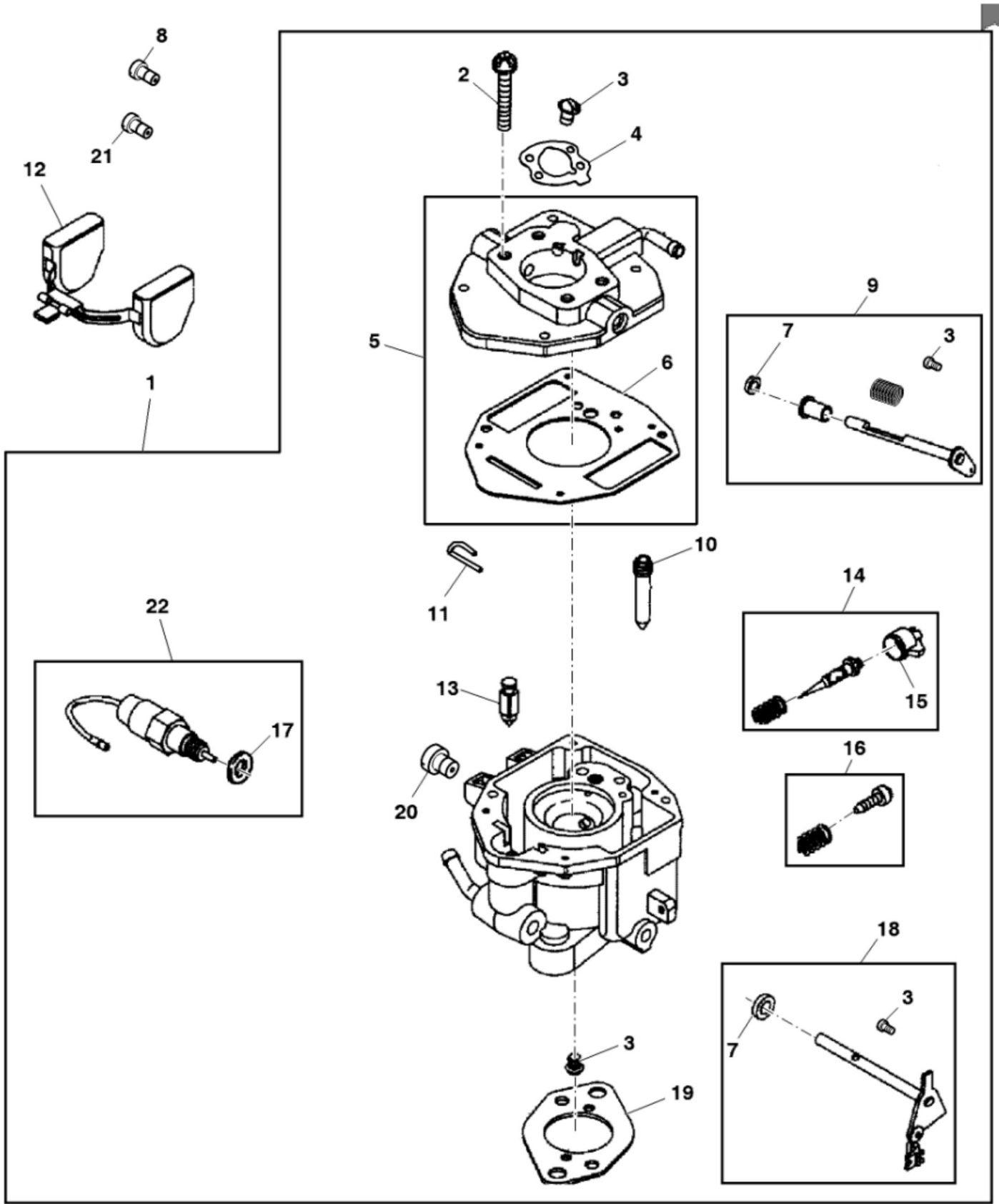
PU14055

KEY	PART NO.	PART NAME	QTY	Serial No.	REMARKS
1	M163623	PANEL	1	____-040000	Upper Seat Closeout Lid
1	M173608	PANEL	1	040001-____	Upper Seat Closeout Lid
2	M163689	AIR INTAKE	1	____-040000	
2	M173607	HOSE	1	040001-____	Air Intake
3	M164264	AIR FILTER	1		NLA; ORDER M170281
3	M170281	AIR FILTER	1		
4	M163692	PANEL	1		Upper Seat Closeout Cap
5	M163717	SCREW	3		
6	VGA10885	RIVET	2		
7	M172082	GASKET	1	040001-____	Air Cleaner Cover
8	M172099	AIR FLOW TUBE	1	040001-____	Intake



PU04505

KEY	PART NO.	PART NAME	QTY	REMARKS
1	37M7458	SCREW	4	M6 X 12
2	AM140356	EXHAUST MANIFOLD	1	Front Weldment
3	AM140357	EXHAUST MANIFOLD	1	Rear Weldment
4	M161536	HEAT SHIELD	1	
5	M162064	HEAT SHIELD	1	
6	M162500	BOLT	2	Shoulder
7	LG691613	GASKET	2	Muffler (Briggs)
8	LG805158	BOLT	4	NLA; ORDER LG691902; Muffler
8	LG691902	BOLT	4	
9	19M7162	CAP SCREW	3	M8 X 16
10	37M7463	SCREW	3	M8 X 16
11	37M7459	SCREW	8	M6 X 20
12	AM141174	SPARK ARRESTING MUFFLER	1	
13	M160611	BRACKET	1	Muffler
14	M166953	HEAT SHIELD	1	SUB FOR M160821; Shield Muffler (PTD)
15	M161963	HALF CLAMP	4	
16	M166959	HEAT SHIELD	1	SUB FOR M163136; Muffler (PTD)



PU10158

KEY	PART NO.	PART NAME	QTY	Serial No.	REMARKS
1	MIA12289	CARBURETOR	1		
2	LG690720	SCREW	4		
3	LG690718	SCREW	3		
4	MIU13172	GASKET	1		
5	MIA12290	COVER	1		
6	MIU13346	GASKET	1		SUB FOR MIU13330
7	LG690722	SEAL	2		
8	MIU13181	JET	1		Main (High Altitude) (5000 FT)
9	MIA12291	CHOKE	1		
10	MIU13332	NOZZLE	1		
11	M152431	HINGE	1		
12	MIU13179	FLOAT	1		
13	MIU12706	VALVE	1		
14	MIA12119	KIT	1		Idle Mixture
15	MIU13180	CAP	1		
16	LG808177	SCREW	1		Idle Speed
17	M152447	WASHER	1		
18	MIA12292	THROTTLE KIT	1		
19	LG691694	GASKET	1		
20	LG690880	JET	1		NLA: Main (Cylinder #1)
21	M152449	JET	1		Main (High Altitude) (9000 FT)
22	M152450	SOLENOID	1	____-022982	(Order and Install Carburetor Drain Plug LG807723 Rather than Installing a New Solenoid)

Please write to us.

Our email:

aservicemanualpdf@yahoo.com

**Please go to the homepage
to get the full manual, or
other brand PDF manuals.**

Home Site:

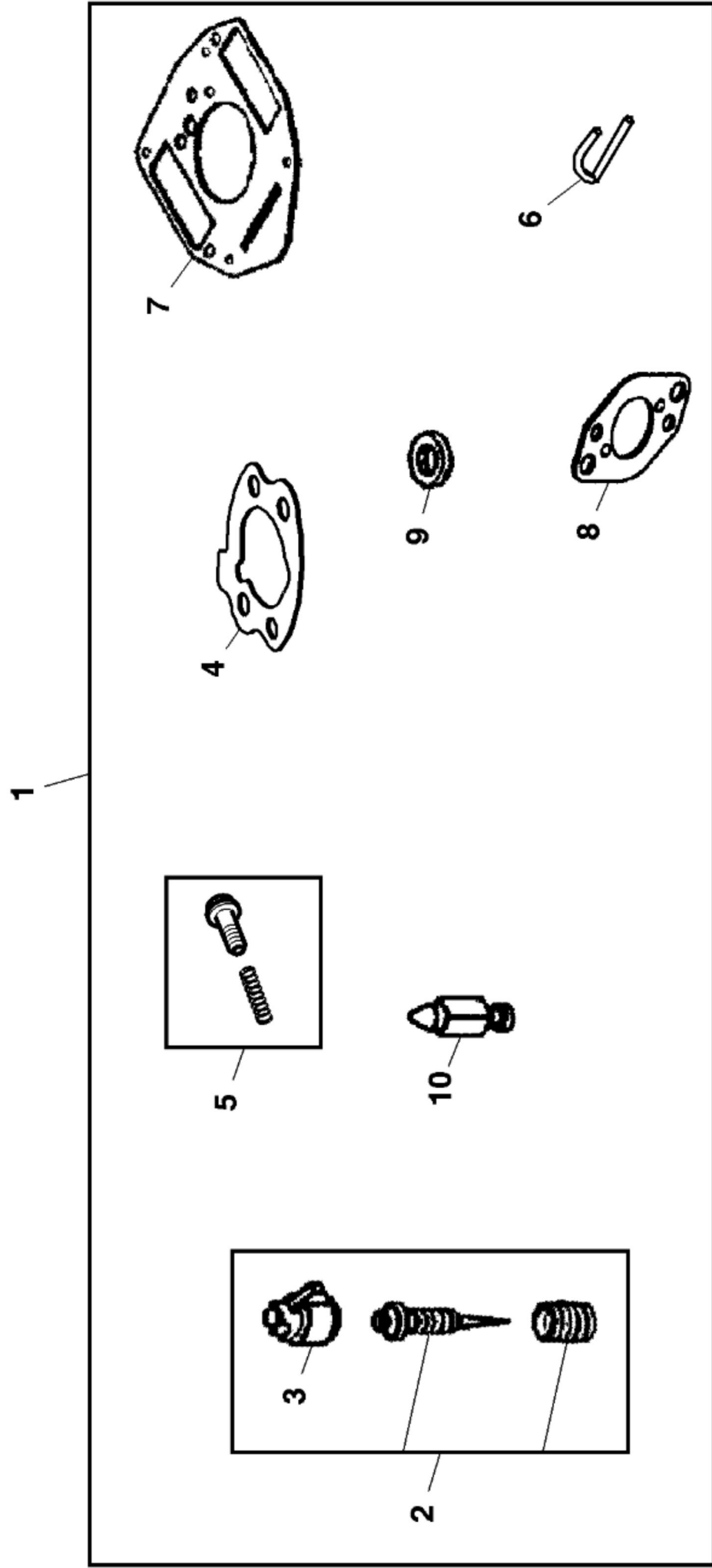
aservicemanualpdf.com

Thank you very much for your reading. Please Click Here. Then Get COMPLETE MANUAL. NO WAITING



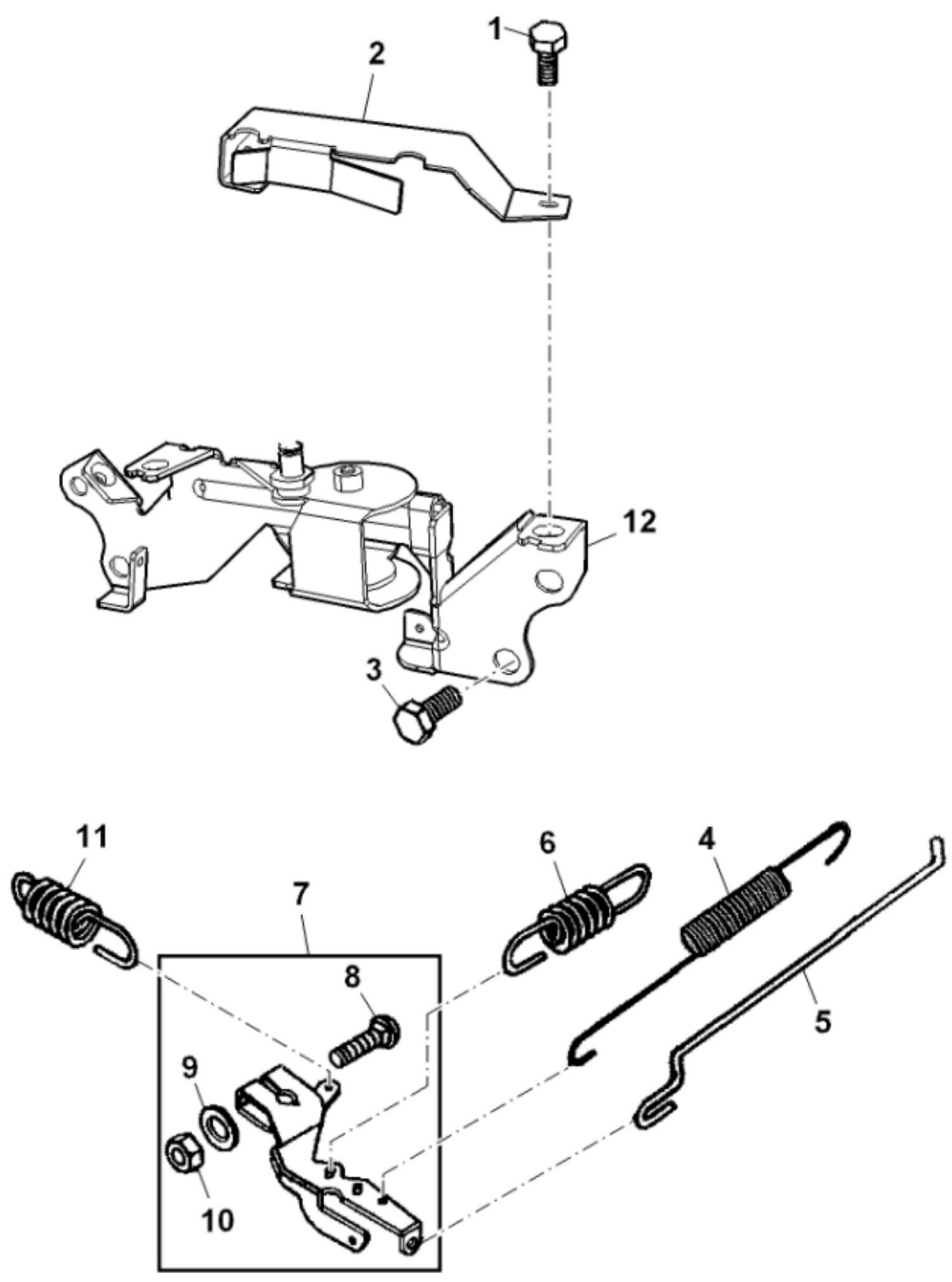
NOTE:

If there is no response to click on the link above, please download the PDF document first and then click on it.



PU04097

KEY	PART NO.	PART NAME	QTY	REMARKS
1	MIA12296	CARBURETOR KIT	1	
2	MIA12119	KIT	1	
3	MIU13180	CAP	1	
4	MIU13172	GASKET	1	
5	LG808177	SCREW	1	
6	MT52431	HINGE	1	
7	MIU13346	GASKET	1	
8	LG691694	GASKET	1	
9	LG690722	SEAL	1	
10	MIU12706	VALVE	1	



PU04514