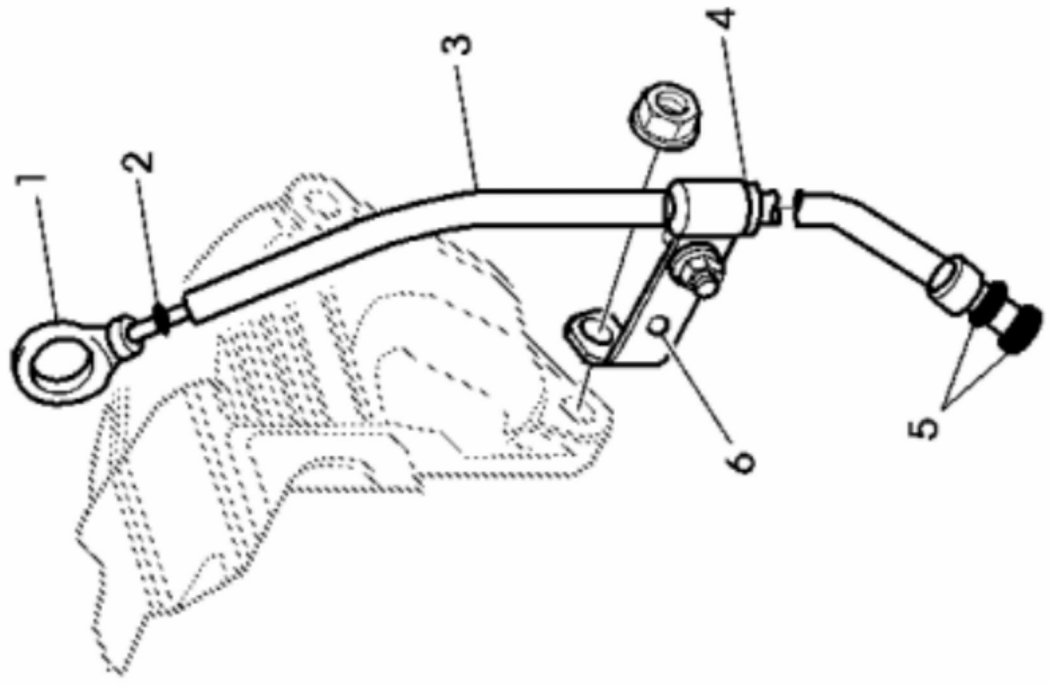


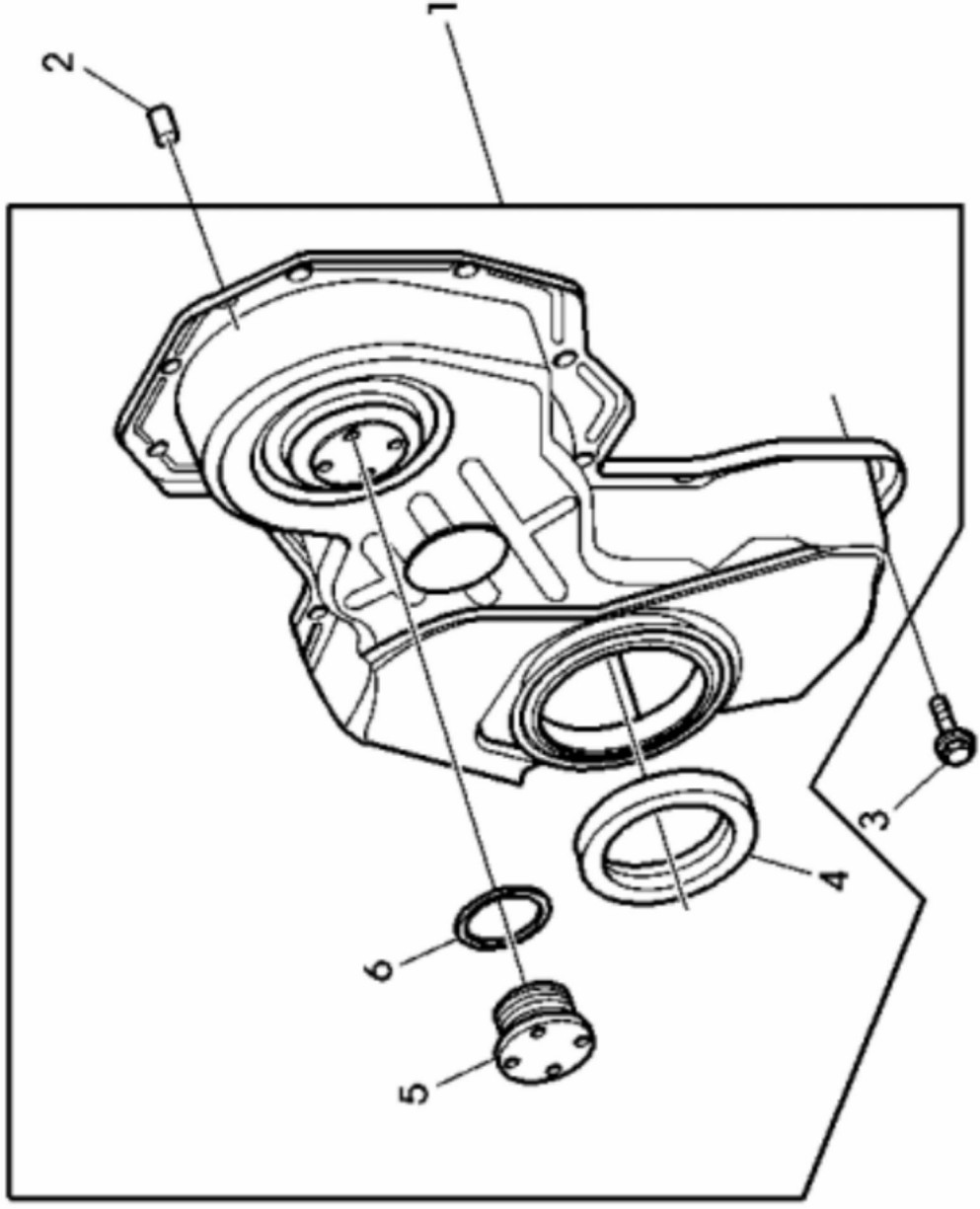
PULV102579

KEY	PART NO.	PART NAME	QTY	REMARKS
1	FGV41772145	PLUG	4	
2	FGV10012198	CRANKCASE	1	
3	FGV21770061	PLUG	4	
4	FGV21712068	PLUG	1	
5	FGV21842037	PIN	1	
6	FGV11382010	VALVE	1	
7	FGV41772059	PLUG	5	
8	FGV20302060	BUSHING	2	
9	FGV21770088	PLUG	2	
10	FGV21842033	PLUG	2	
11	FGV10302010	BUSHING	1	
12	FGV21712076	BUSHING	1	
13	FGV21762127	SCREW	2	
14	FGV46320514	VALVE	3	
15	FGV41901313	O-RING	4	
16	FGV21770088	O-RING	3	
18	FGV12272192	BALANCER SHAFT	1	
19	FGV12272194	SCREW	1	



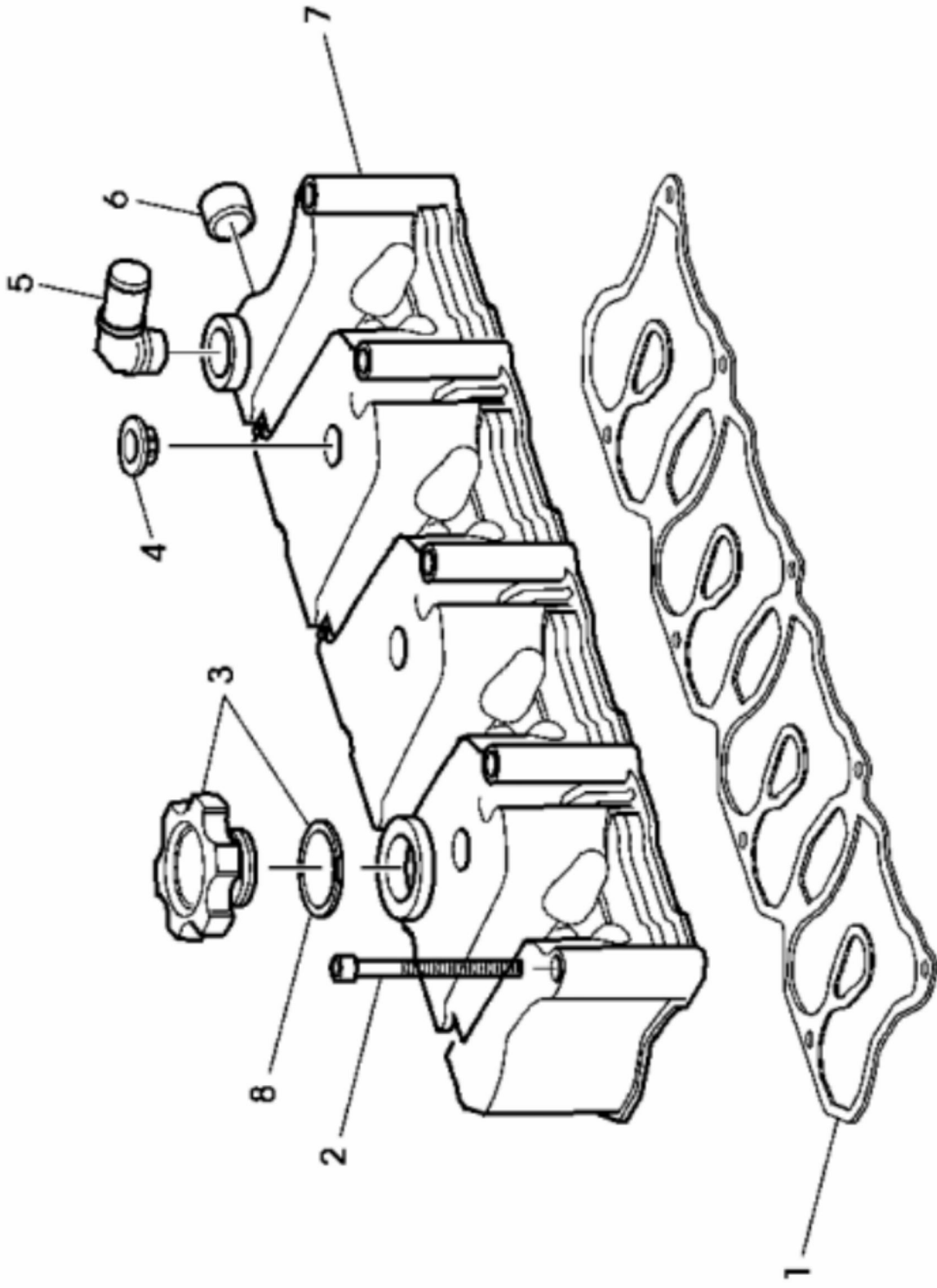
**PY53464**

KEY	PART NO.	PART NAME	QTY	REMARKS
1	FGV21282731	DIPSTICK	1	
2	FGV46320006	O-RING	1	
3	FGV21282731	TUBE	1	
4	FGV31302026	WASHER	1	
5	FGV46320509	O-RING	1	
6	FGV11612012	CLAMP	1	



**PY53439**

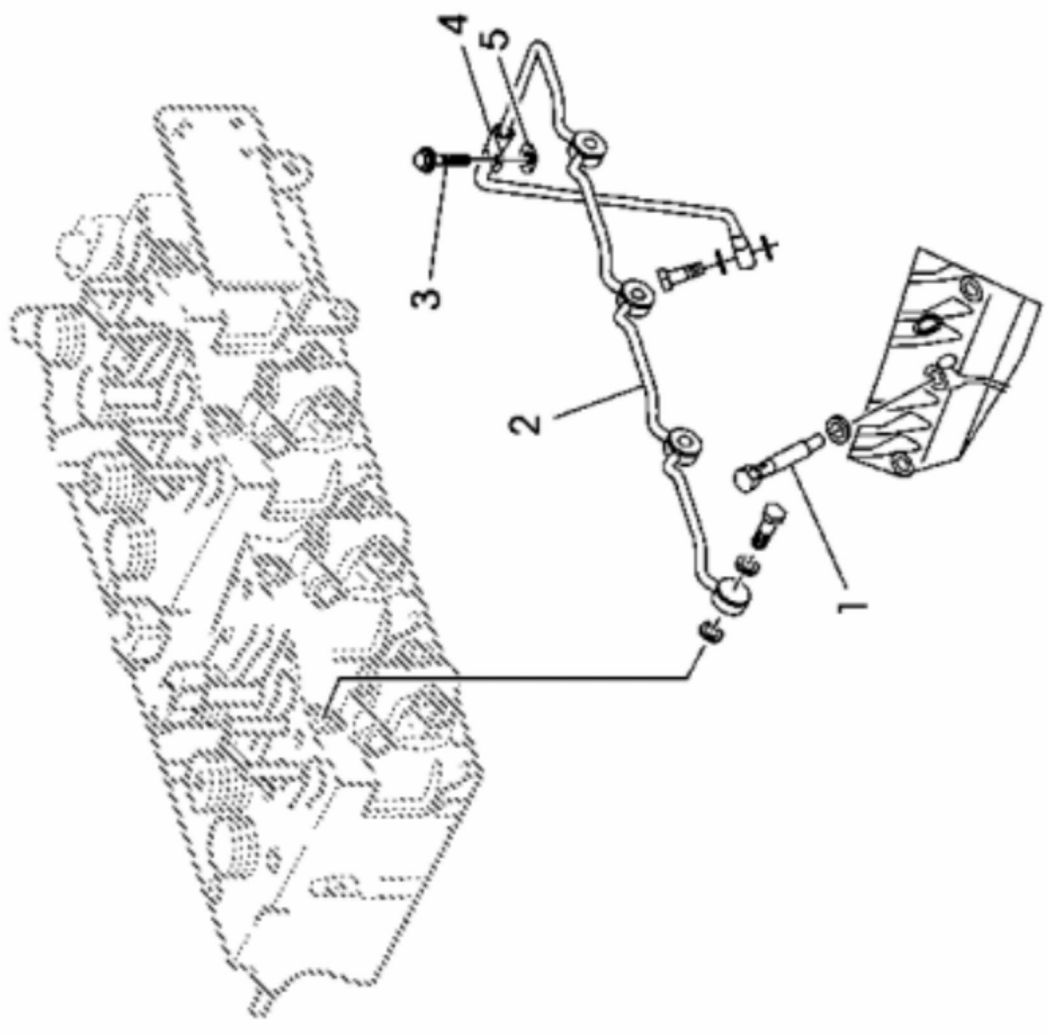
KEY	PART NO.	PART NAME	QTY	REMARKS
1	FGV10132087	COVER	1	
2	FGV41840108	PIN	2	
3	FGV41901203	SCREW	14	
4	FGV46340871	SEAL	1	
5	FGV21772104	PLUG	1	
6	FGV22032134	GASKET	1	



PY53435

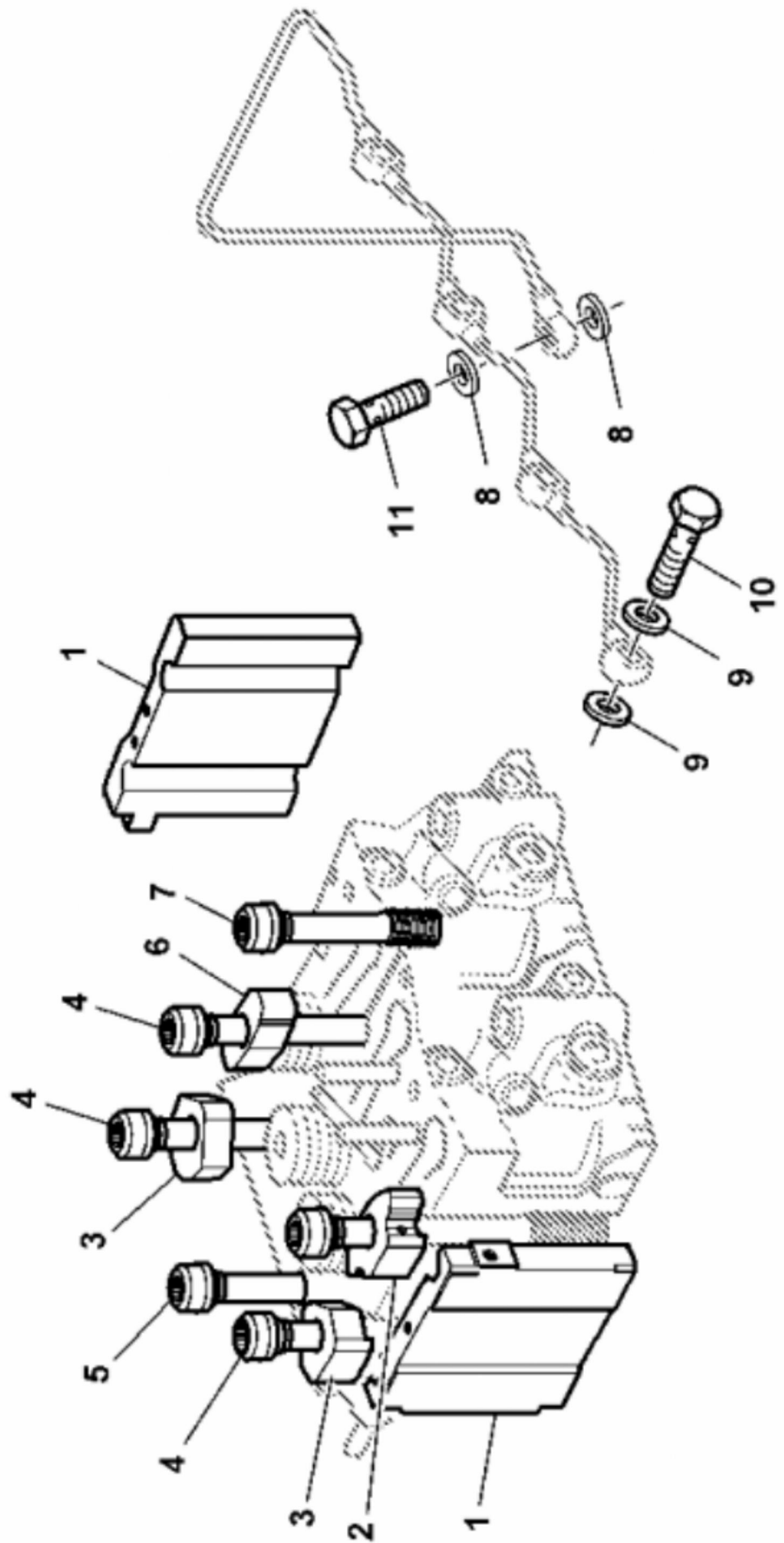
KEY	PART NO.	PART NAME	QTY	REMARKS
1	FGV22032300	GASKET	1	
2	FGV41762034	SCREW	9	
3	FGV11772003	FILLER CAP	1	
4	FGV41772080	PLUG	3	
5	FGV21332012	ELBOW FITTING	1	
6	FGV21772084	PLUG	1	
7	FGV20132389	COVER	1	
8	FGV22032176	GASKET	1	





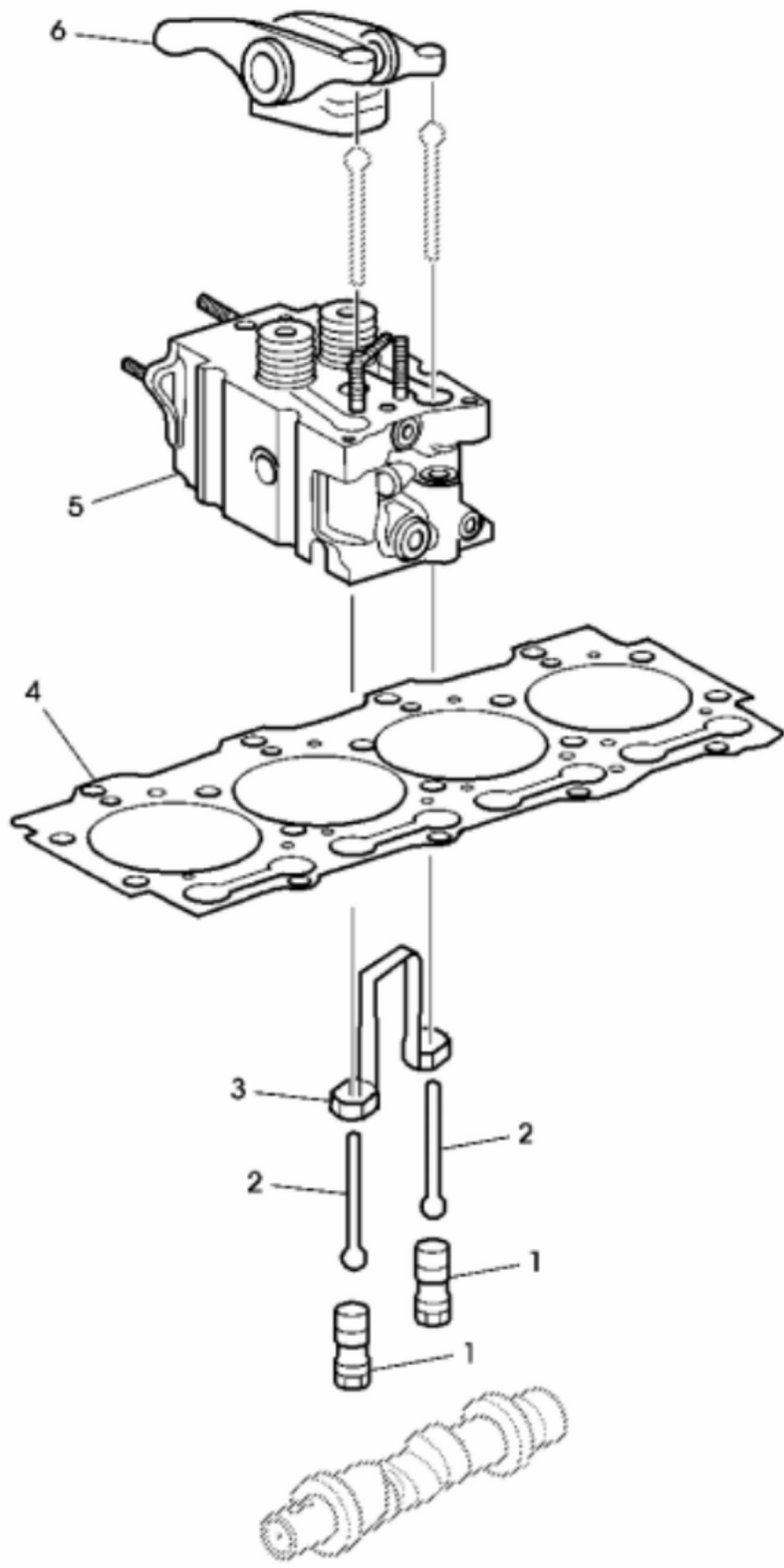
**PY53444**

KEY	PART NO.	PART NAME	QTY	REMARKS
1	FGV21320036	UNION FITTING	1	
2	FGV21282583	PIPE	1	
3	FGV41901102	SCREW	1	
4	FGV21612062	CLAMP	1	
5	FGV22030455	GASKET	1	



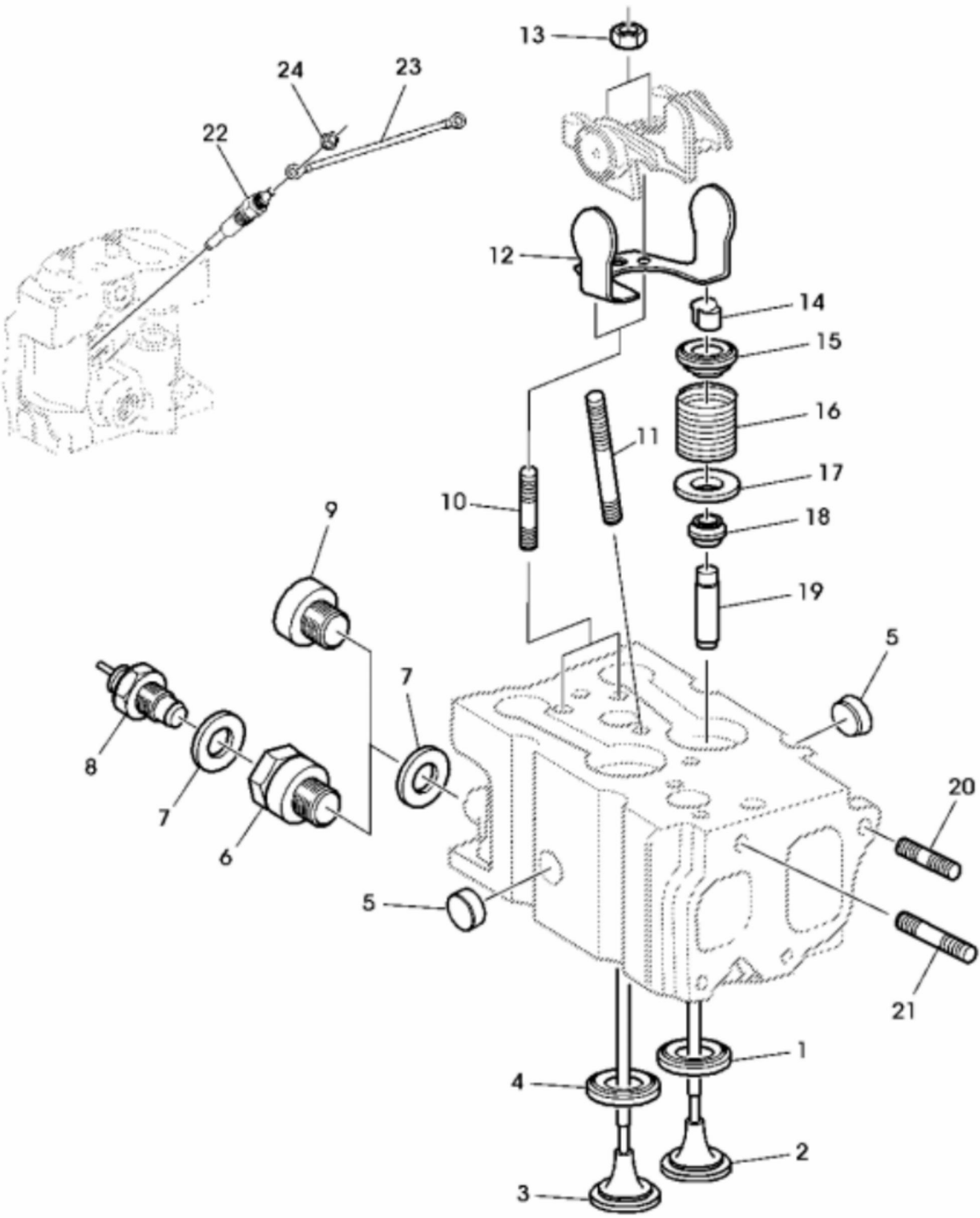
PY54123

KEY	PART NO.	PART NAME	QTY	REMARKS
1	FGV22332007	SUPPORT	2	
2	FGV21360062	CLAMP	2	
3	FGV21360061	CLAMP	5	
4	FGV21762150	BOLT	10	SUB FOR FGV21762070
5	FGV21762149	BOLT	4	SUB FOR FGV21762069
6	FGV21360063	CLAMP	3	
7	FGV21762148	BOLT	4	SUB FOR FGV21762062
8	FGV42020010	WASHER	2	
9	FGV42020008	WASHER	4	
10	FGV21320025	UNION FITTING	4	
11	FGV41320010	UNION FITTING	1	



PY53433

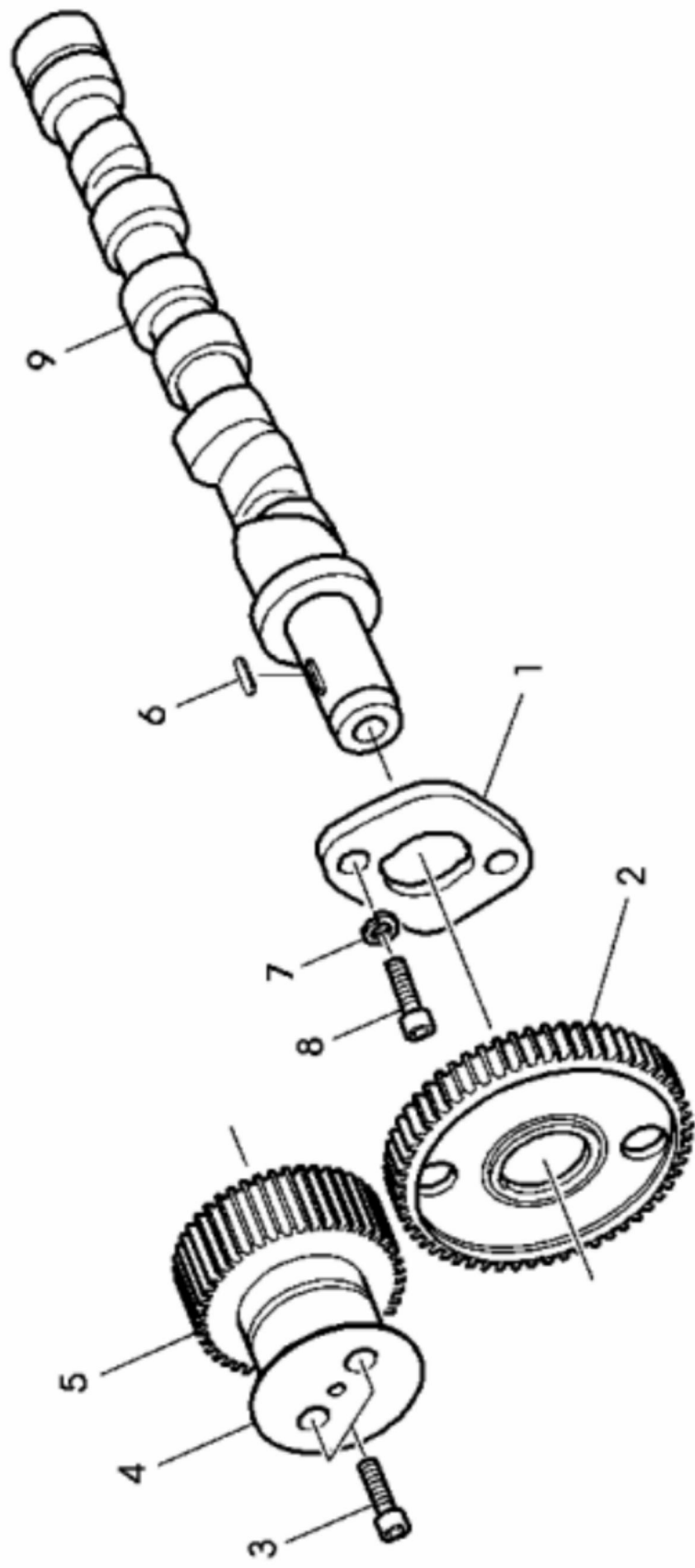
KEY	PART NO.	PART NAME	QTY	REMARKS
1	FGV40432003	TAPPET	8	
2	FGV20422014	ROD	8	
3	FGV20512670	BRACKET	4	
4	FGV22022289	ENGINE CYLINDER HEAD GASKET	1	1.41 MM, SUB FOR FGV22022182
4	FGV22022290	ENGINE CYLINDER HEAD GASKET	1	1.51MM, SUB FOR FGV22022183
4	FGV22022184	ENGINE CYLINDER HEAD GASKET	1	1.61 MM
5	FGV10352067	CYLINDER HEAD	4	ASSEMBLY
6	FGV10412019	ROCKER ARM	8	



PY54161

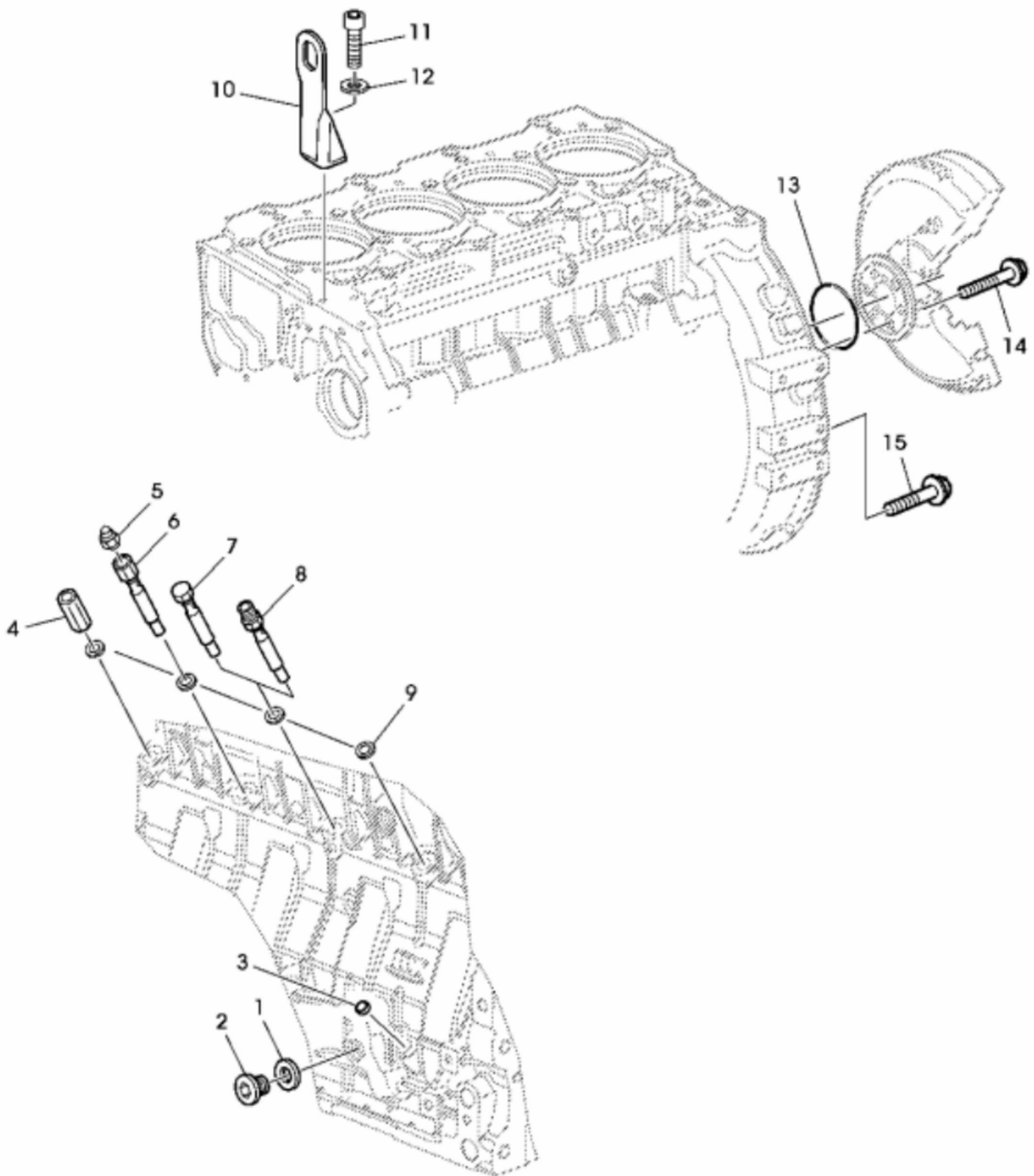
KEY	PART NO.	PART NAME	QTY	REMARKS
1	FGV20442010	VALVE SEAT	4	+ 0.30 MM
2	FGV20362006	INTAKE VALVE	4	
3	FGV20372006	EXHAUST VALVE	4	
4	FGV20442009	VALVE SEAT	4	+ 0.30 MM
5	FGV21772061	PLUG	8	
6	FGV21782180	UNION FITTING	1	
7	FGV42020020	WASHER	5	
8	FGV45962031	TRANSMITTER	1	
9	FGV41770041	PLUG	1	
10	FGV41750888	STUD	8	
11	FGV41750353	STUD	4	SUB FOR FGV41750879
12	FGV20462069	SPRING	4	
13	FGV21792037	NIUT	8	
14	FGV20400007	RETAINER	16	
15	FGV20390016	PLATE	8	
16	FGV20460099	SPRING	6	
17	FGV20390018	PLATE	8	
18	FGV46340866	SEAL	8	
19	FGV20382004	GUIDE	8	+ 0.00 MM
19	FGV20382005	GUIDE	8	+ 0.10 MM
20	FGV41750869	STUD	8	
21	FGV41750904	STUD	8	
22	FGV46072002	GLOW PLUG	4	
23	FGV28852013	CABLE	3	
24	FGV41880304	NIUT	4	





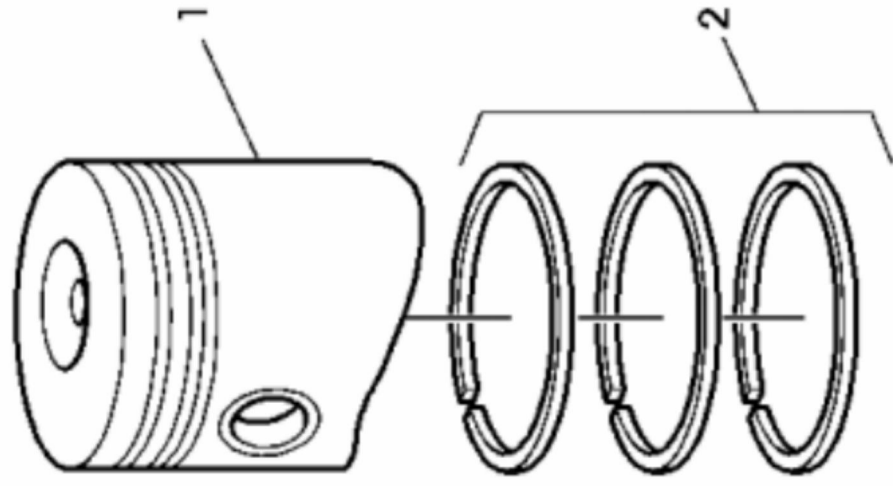
**PY53438**

KEY	PART NO.	PART NAME	QTY	REMARKS
1	FGV21650035	PLATE	1	
2	FGV20662149	GEAR	1	
3	FGV41901312	SCREW	2	
4	FGV20202117	PIN	1	
5	FGV10662016	GEAR	1	
6	FGV41830061	KEY	1	
7	FGV46241408	LOCK WASHER	2	
8	FGV41760231	SCREW	2	
9	FGV10182048	CAMSHAFT	1	



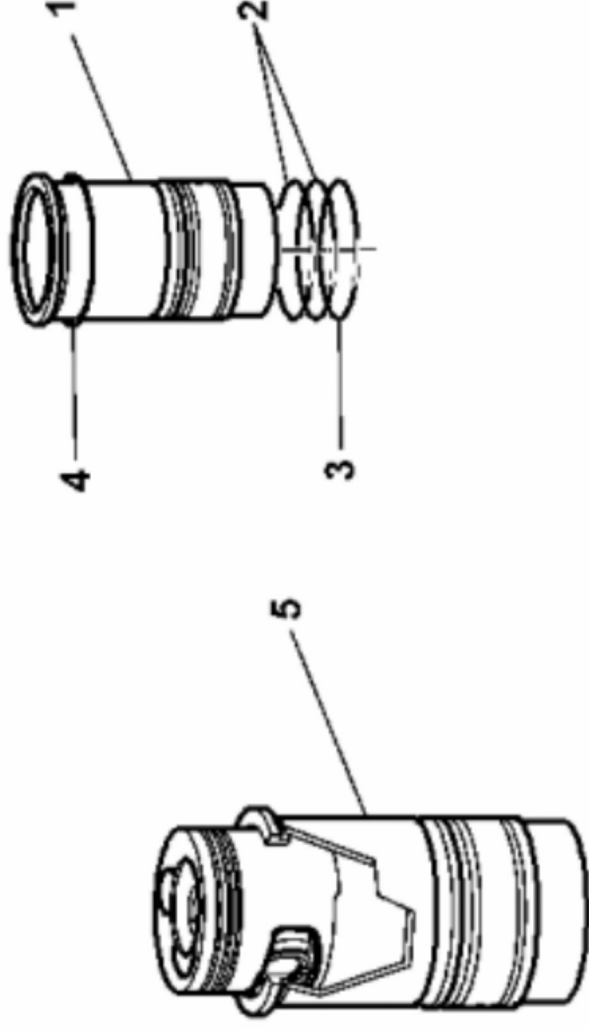
PY53431

KEY	PART NO.	PART NAME	QTY	REMARKS
1	FGV42020020	WASHER	1	
2	FGV41770041	PLUG	1	
3	FGV21770088	PLUG	1	
4	FGV21782112	UNION FITTING	1	
5	FGV46060008	PRESSURE SWITCH	1	
6	FGV21320038	BOLT	1	
7	FGV21320036	UNION FITTING	1	
8	FGV21320039	BOLT	1	
9	FGV42020014	WASHER	4	
10	FGV20550011	LIFT ARM	1	
11	FGV41760327	SCREW	1	
12	FGV46240410	WASHER	1	
13	FGV46320230	O-RING	1	
14	FGV21762056	SCREW	6	
15	FGV41901407	SCREW	10	



**PY53458**

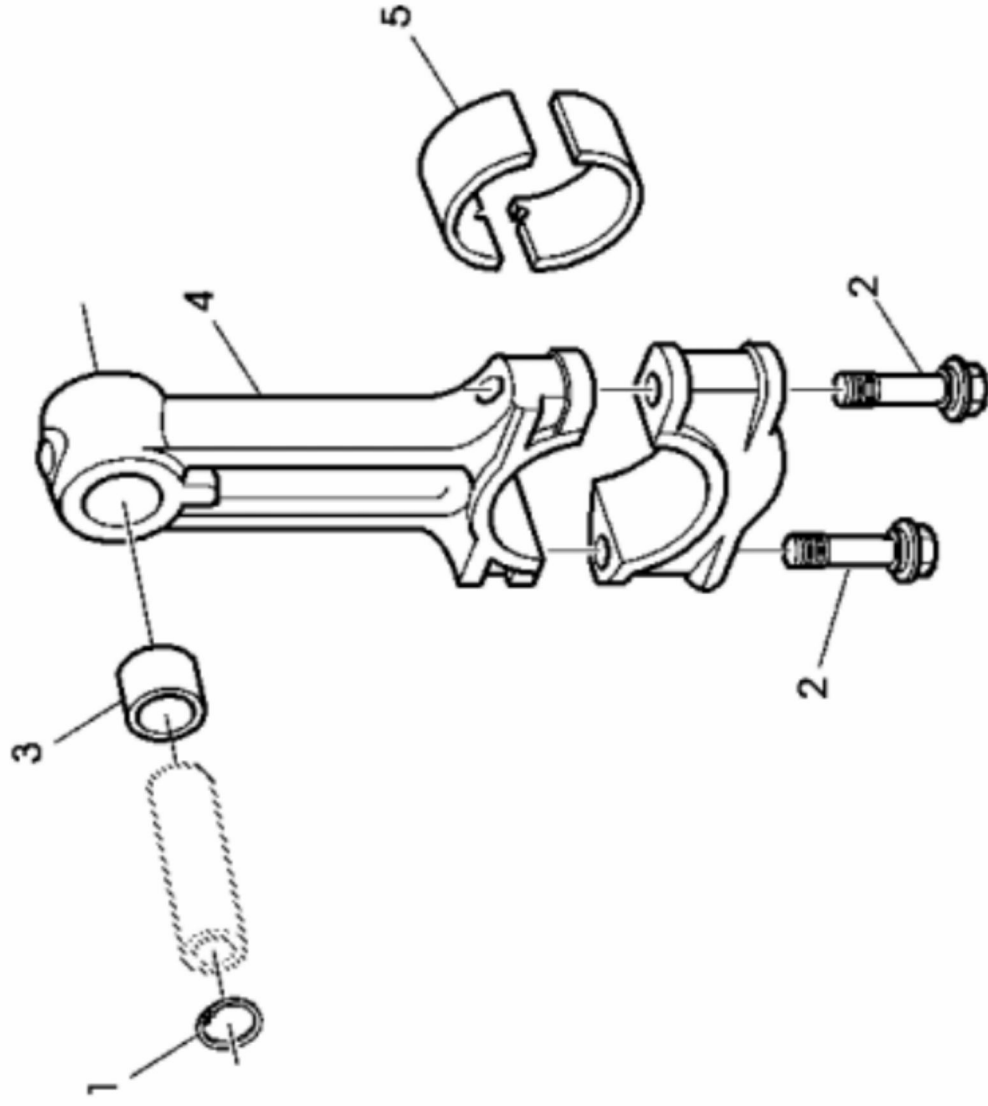
KEY	PART NO.	PART NAME	QTY	REMARKS
1	FGV10252093	PISTON	4	
2	FGV10272013	PISTON RING KIT	4	



**PY53997**

KEY	PART NO.	PART NAME	QTY	REMARKS
1	FGV20242038	CYLINDER LINER	4	
2	FGV46320205	O-RING	8	
3	FGV46320241	O-RING	4	
4	FGV22020138	O-RING	4	0.15 MM
4	FGV22022049	O-RING	4	0.17 MM
4	FGV22020153	O-RING	4	0.20 MM
4	FGV22020165	O-RING	4	0.23 MM
4	FGV22020154	O-RING	4	0.27 MM
5	FGV10242038	CYLINDER AND PISTON KIT	4	





**PY53451**

KEY	PART NO.	PART NAME	QTY	REMARKS
1	FGV41560130	SNAP RING	4	
2	FGV21760118	SCREW	8	
3	FGV21712063	BUSHING	4	
4	FGV10292033	CONNECTING ROD	4	
5	FGV10302053	BUSHING	4	SUB FOR FGV10302030

**Please write to us.**

**Our email:**

**aservicemanualpdf@yahoo.com**

**Please go to the homepage  
to get the full manual, or  
other brand PDF manuals.**

**Home Site:**

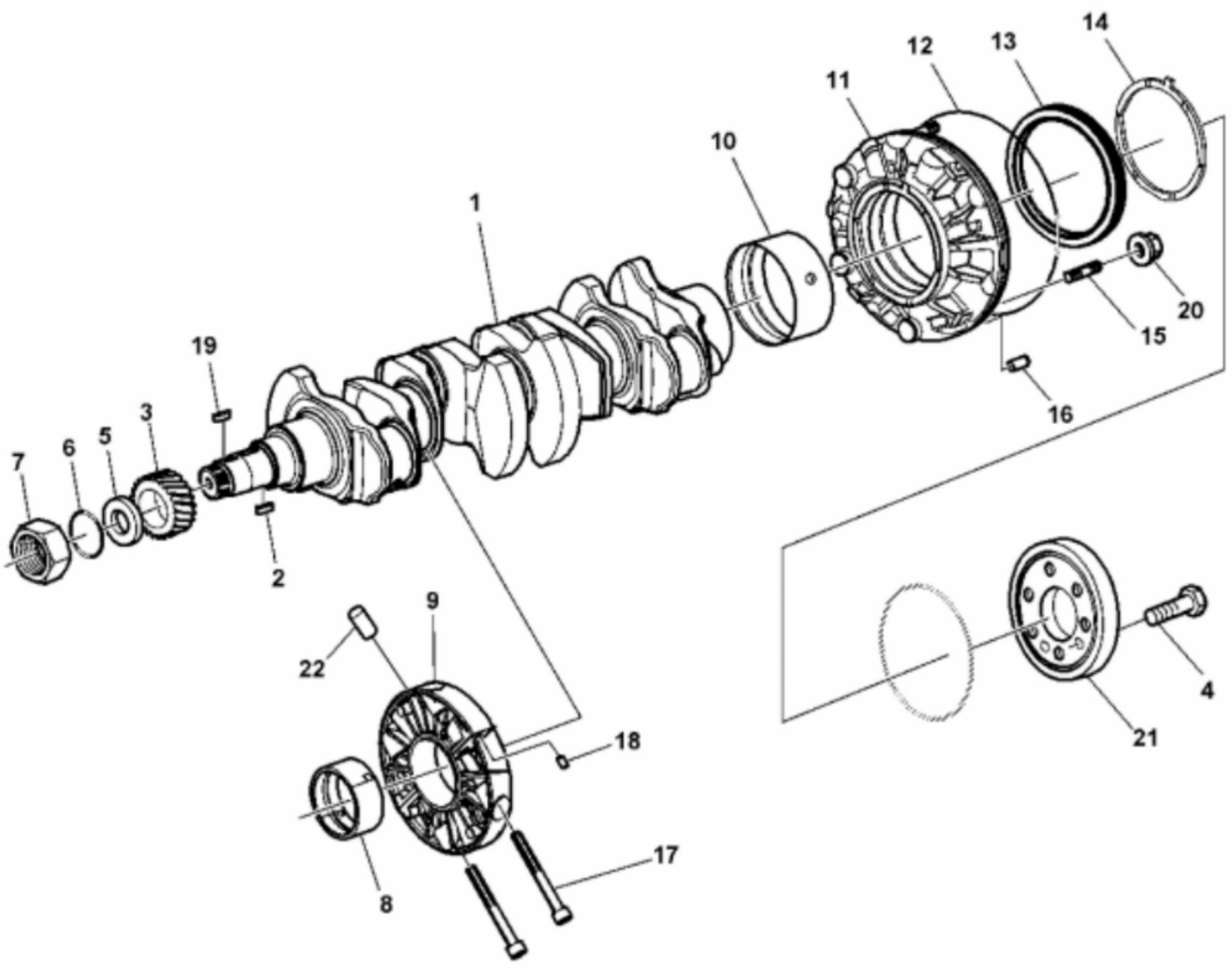
**aservicemanualpdf.com**

**Thank you very much for your reading. Please Click Here. Then Get COMPLETE MANUAL. NO WAITING**



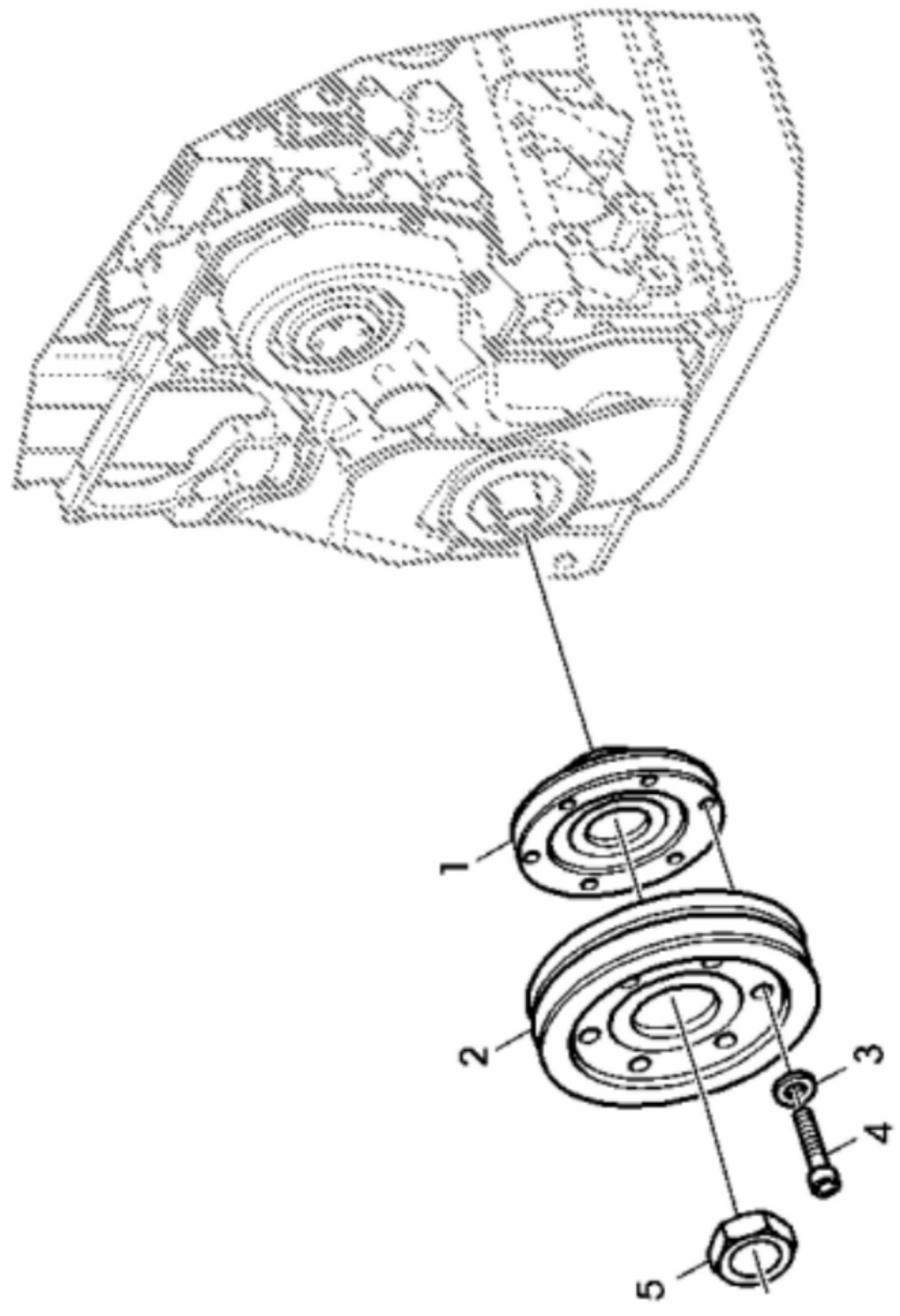
**NOTE:**

**If there is no response to click on the link above, please download the PDF document first and then click on it.**



PY54128

KEY	PART NO.	PART NAME	QTY	REMARKS
1	FGV20172126	CRANKSHAFT	1	SUB FOR FGV20172104
1	FGV20172140	CRANKSHAFT	1	
2	FGV41830038	KEY	1	
3	FGV20662126	GEAR	1	
4	FGV41760049	SCREW	1	
5	FGV21632235	SPACER	1	
6	FGV46320069	O-RING	1	
7	FGV21790138	NUT	1	
8	FGV10302029	BUSHING	3	
8	FGV10302032	BUSHING	3	0.25 MM
9	FGV10522032	BRACKET	3	
10	FGV20302064	BUSHING	1	
10	FGV20302065	BUSHING	1	0.25 MM
11	FGV10522033	SUPPORT	1	
12	FGV46320270	O-RING	1	
13	FGV46340869	SEAL	1	
14	FGV21652015	THRUST WASHER	1	
14	FGV21652016	THRUST WASHER	1	0.10 MM
14	FGV21652017	THRUST WASHER	1	0.20 MM
15	FGV41752007	STUD	6	
16	FGV46290208	SPRING PIN	1	
17	FGV41760858	SCREW	6	
18	FGV41840107	PIN	6	
19	FGV21832007	KEY	1	
20	FGV41880308	NUT	6	
21	FGV21522028	VALVE	1	
22	FGV11382009	VALVE	1	



**PY53446**