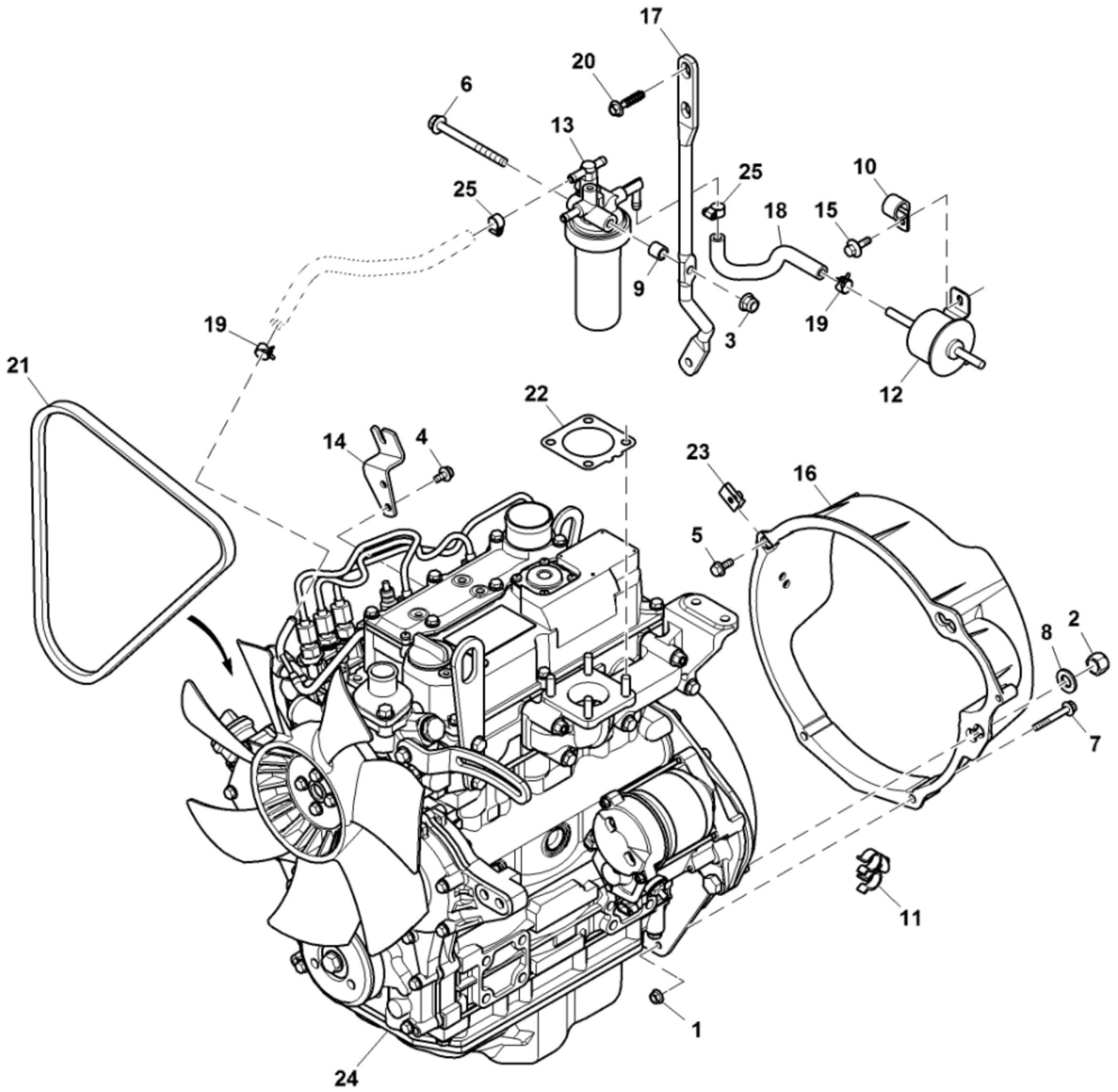


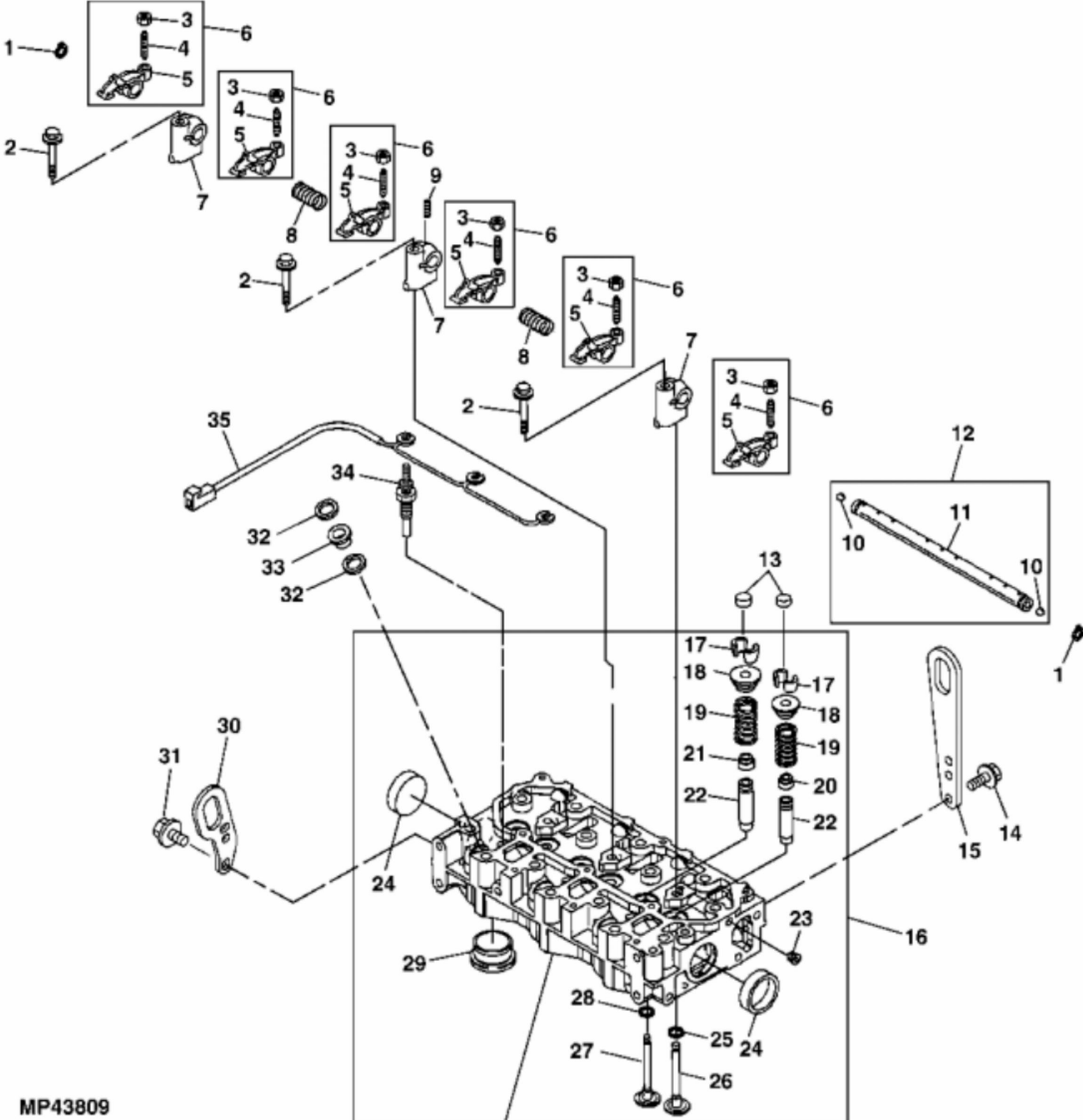


KEY	PART NO.	PART NAME	QTY	REMARKS
1	M800970	BOLT	14	
2	MIU802007	GASKET	1	SUB FOR M811815
3	M809593	PLUG	1	
4	M811805	PLUG	4	
5	CH10335	PLUG	1	
6	M802255	PIN	2	
7	CH18079	SPRING PIN	2	
8	CH10314	PLUG	1	
9	AM882419	THRUST BEARING	2	STD
9	MIA880557	THRUST BEARING	2	Over Sized = 0.25 MM (0.010 IN)
10	MIA880551	BEARING	4	MAIN, (STD)
10	AM882418	BEARING	4	MainUnder Sized = 0.25 MM (0.010 IN)
11	.....	BEARING CAP	1	ORDER MIA880096
12	M87879	BOLT	8	
13	.....	BEARING CAP	3	ORDER MIA880096
14	M800006	DOWEL PIN	2	
15	M87801	PLUG	1	
16	M87871	BOLT	3	
17	M811882	SHAFT	1	
18	MIU800572	CAMSHAFT	1	
19	.....	CYLINDER BLOCK	1	ORDER MIA880096
20	M811807	PLUG	3	
21	MIA880096	CYLINDER BLOCK	2	
22	MIA11224	DIESEL ENGINE	1	MARKED 3TNNV76-XCJT; Not Illustrated
..	MIA880049	SHORT BLOCK ASSEMBLY	1	NLA; ORDER MIA882684
..	MIA882684	SHORT BLOCK ASSEMBLY	1	



LV248235

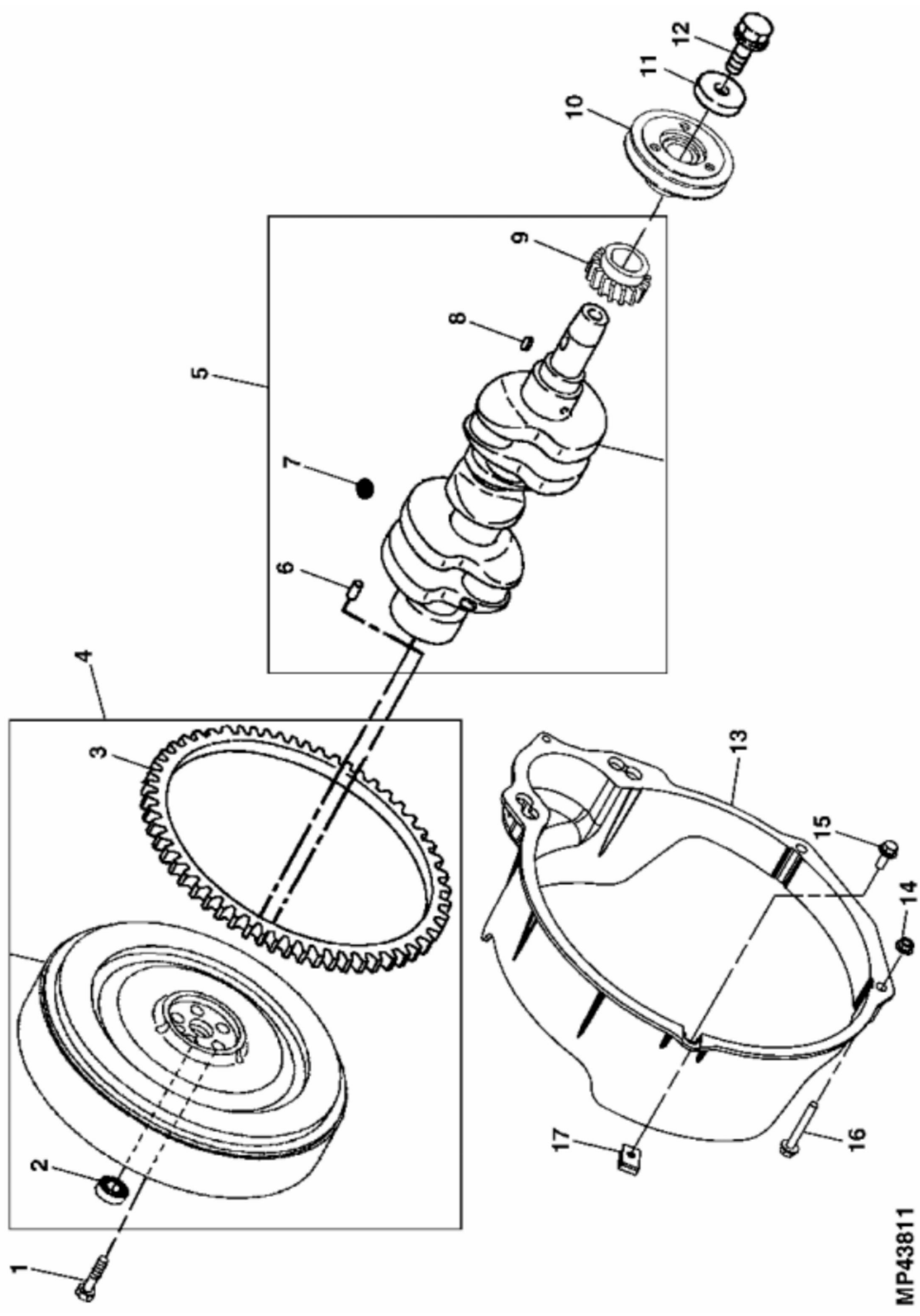
KEY	PART NO.	PART NAME	QTY	REMARKS
1	14M7303	FLANGE NUT	2	M6
2	14M7367	LOCK NUT	2	M12
3	14M7396	LOCK NUT	1	M8
4	19M7774	SCREW	2	M6 X 12
5	19M7775	SCREW	1	M6 X 16
6	19M7913	SCREW	1	M8 X 90
7	19M8321	SCREW	2	M6 X 45
8	24M7047	WASHER	2	13 X 24 X 2.500 mm
9	28H3450	SPACER	1	0.364" X 0.540" X 1/2"
10	AH77724	CLIP	1	
11	AL157115	CLIP	1	
12	AM876266	FUEL PUMP	1	
13	M1A883607	FUEL FILTER	1	SUB FOR AM882413
14	LVU22124	SUPPORT	1	
15	LVU22419	BOLT	2	
16	LVU33746	COVER	1	(Pump To Filter) SUB FOR LVU26806
17	LVU28439	ROD	1	
18	LVU28736	HOSE	1	
19	M131032	CLAMP	3	
20	M146384	SCREW	3	
21	M805011	V-BELT	1	
22	M811089	GASKET	1	
23	M84972	NUT	1	
24	M1A11224	DIESEL ENGINE	1	
25	TY22462	CLAMP	3	



MP43809

KEY	PART NO.	PART NAME	QTY	REMARKS
1	M87818	SNAP RING	2	
2	19M8317	SCREW	3	M8 X 40
3	M801028	NUT	1	
4	M801027	SCREW	1	
5	.....	ROCKER ARM	1	
6	AM882423	ROCKER ARM	6	
7	M811846	SUPPORT	3	
8	M87892	SPRING	2	
9	M87893	SCREW	1	
10	.....	BALL	2	
11	.....	ROCKER ARM SHAFT	1	
12	AM882421	ROCKER ARM SHAFT	1	
13	M811804	CAP	6	
14	19M7865	SCREW	2	M8 X 16
15	AT211695	HANGER	1	
16	AM882453	CYLINDER HEAD	1	
17	M811844	RETAINER	12	
18	M811966	RETAINER	6	
19	M811842	SPRING	6	
20	M811850	SEAL	3	
21	M811851	SEAL	3	
22	M811855	GUIDE	6	
23	M808706	PLUG	1	
24	M811808	PLUG	2	
25	M811838	VALVE SEAT INSERT	3	INTAKE
26	MIU800642	INTAKE VALVE	3	
27	M811841	EXHAUST VALVE	3	
28	M811839	VALVE SEAT INSERT	3	EXHAUST
29	.....	CHAMBER	3	(NSEP)
30	MIU800461	BRACKET	1	
31	CH19780	BOLT	2	
32	M89135	GASKET	6	
33	M811967	SHIELD	3	
34	M811937	GLOW PLUG	3	NLA; ORDER MIU802457

KEY	PART NO.	PART NAME	QTY	REMARKS
34	MTU802457	GLOW PLUG	3	SUB FOR M811937
35	M811938	ELEC. CONNECTOR TERMINAL	1	

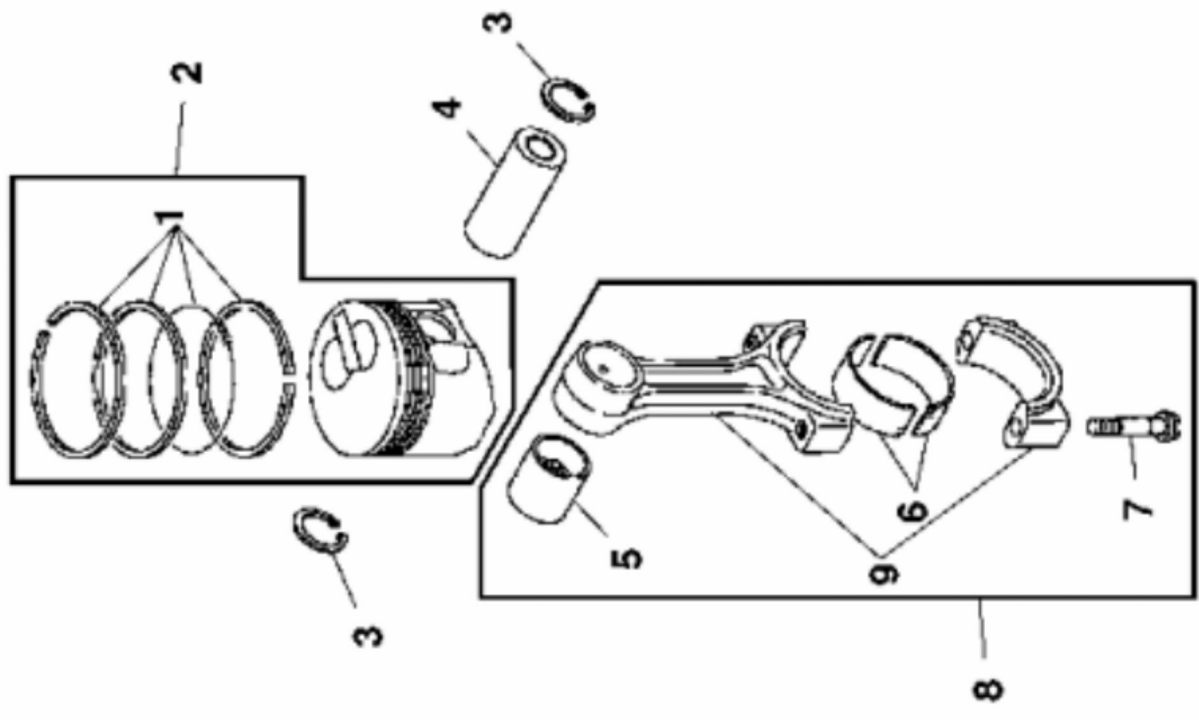


MP43811



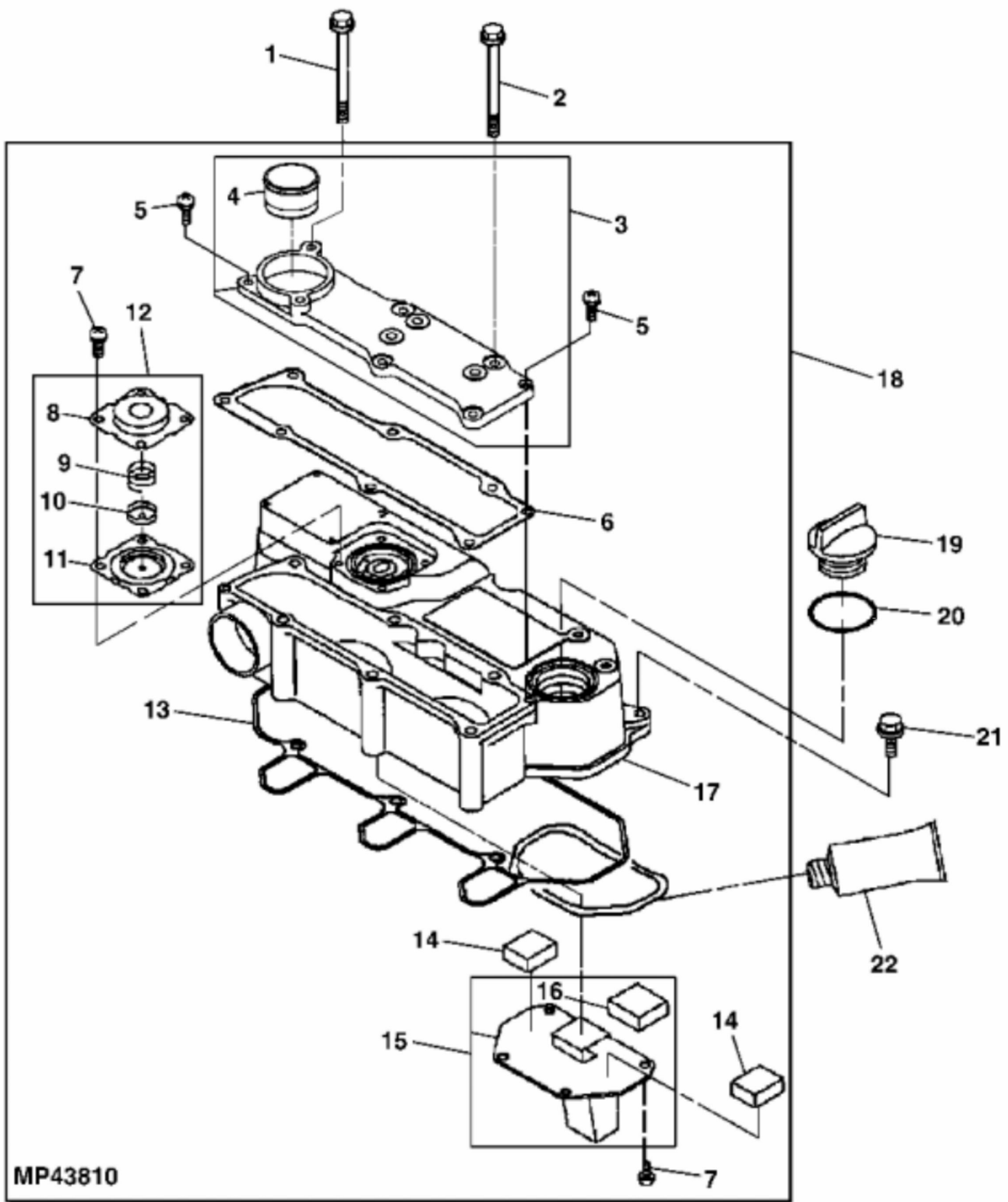
John Deere > Turf And Utility > TRACTOR, COMPACT UTILITY >60D - TRACTOR, COMPACT UTILITY >1026R Compact Utility Tractor (with 54D, 60D AutoConnect Mower Deck) >20 ENGINE >ST569734 - CRANKSHAFT AND FLYWHEEL

KEY	PART NO.	PART NAME	QTY	REMARKS
1	M87887	BOLT	5	
2	M807344	BEARING	1	
3	M88025	RING GEAR	1	
4	M1A880102	FLYWHEEL KIT	1	
5	AM882425	CRANKSHAFT	1	
6	M802255	PIN	1	
7	400R	BALL	3	
8	M87812	SHAFT KEY	1	
9	M811864	GEAR	1	
10	MIU801722	PULLEY	1	
11	M800308	WASHER	1	
12	MIU801499	BOLT	1	
13	LVU33746	COVER	1	SUB FOR LVU26806
14	14M7303	FLANGE NUT	2	M6
15	19M7775	SCREW	1	M6 X 16
16	19M8321	SCREW	2	M6 X 45
17	M84972	NUT	1	



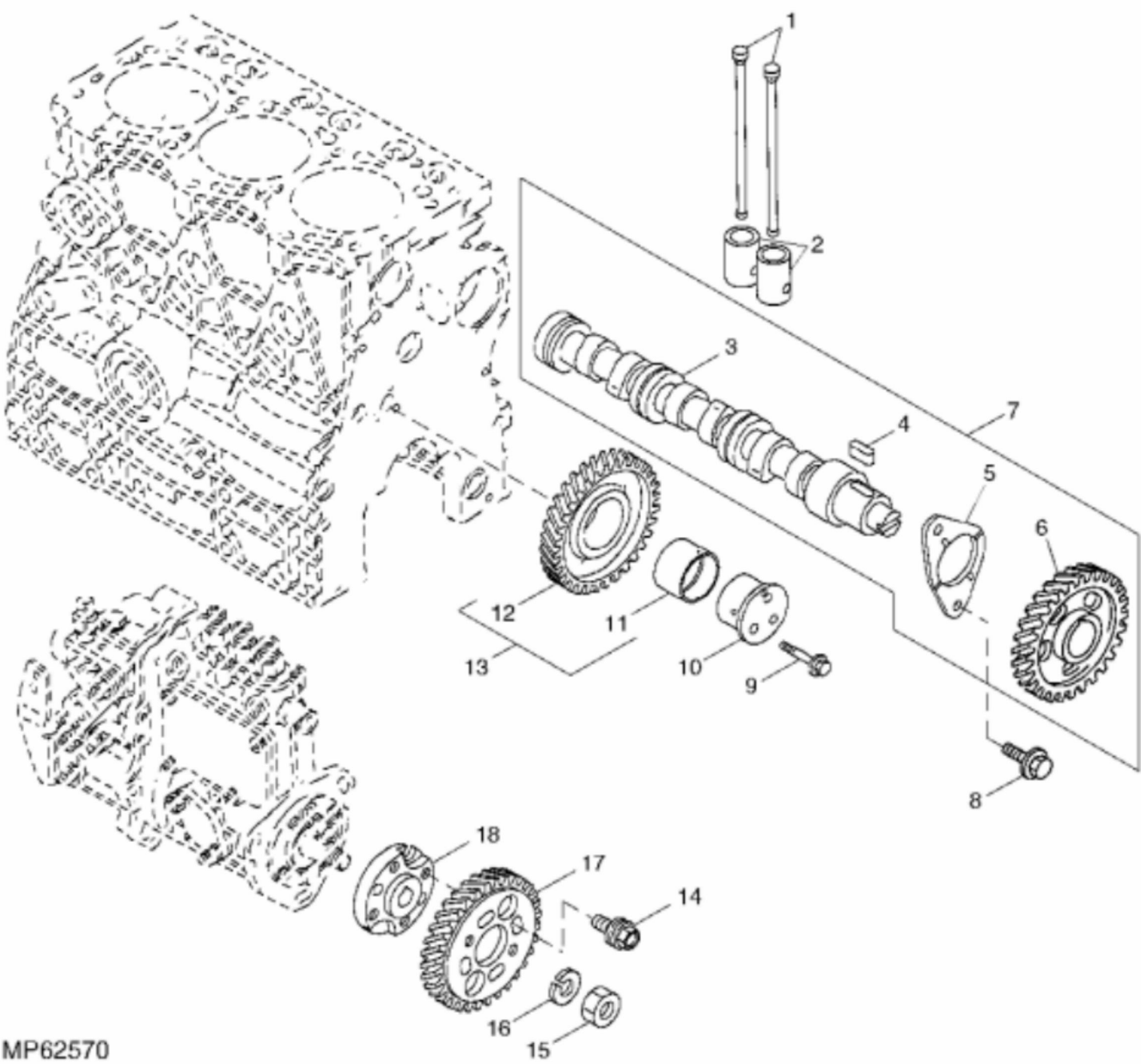
PU01802

KEY	PART NO.	PART NAME	QTY	REMARKS
1	AM882428	PISTON RING KIT	3	STD
1	AM882429	PISTON RING KIT	3	0.25 MM (0.010 IN) OS
2	AM882426	PISTON REPLACEMENT KIT	3	STD
2	AM882430	PISTON REPLACEMENT KIT	3	0.25 MM (0.010 IN) OS
3	CH11486	RING	6	
4	M811869	PISTON PIN	3	
5	M811880	BUSHING	1	
6	MIA880561	BEARING	1	STD
6	MIA880566	BEARING	1	0.25 MM (0.010 IN) US
7	M811877	BOLT	2	
8	AM882431	CONNECTING ROD	3	
9	.....	CONNECTING ROD	1	



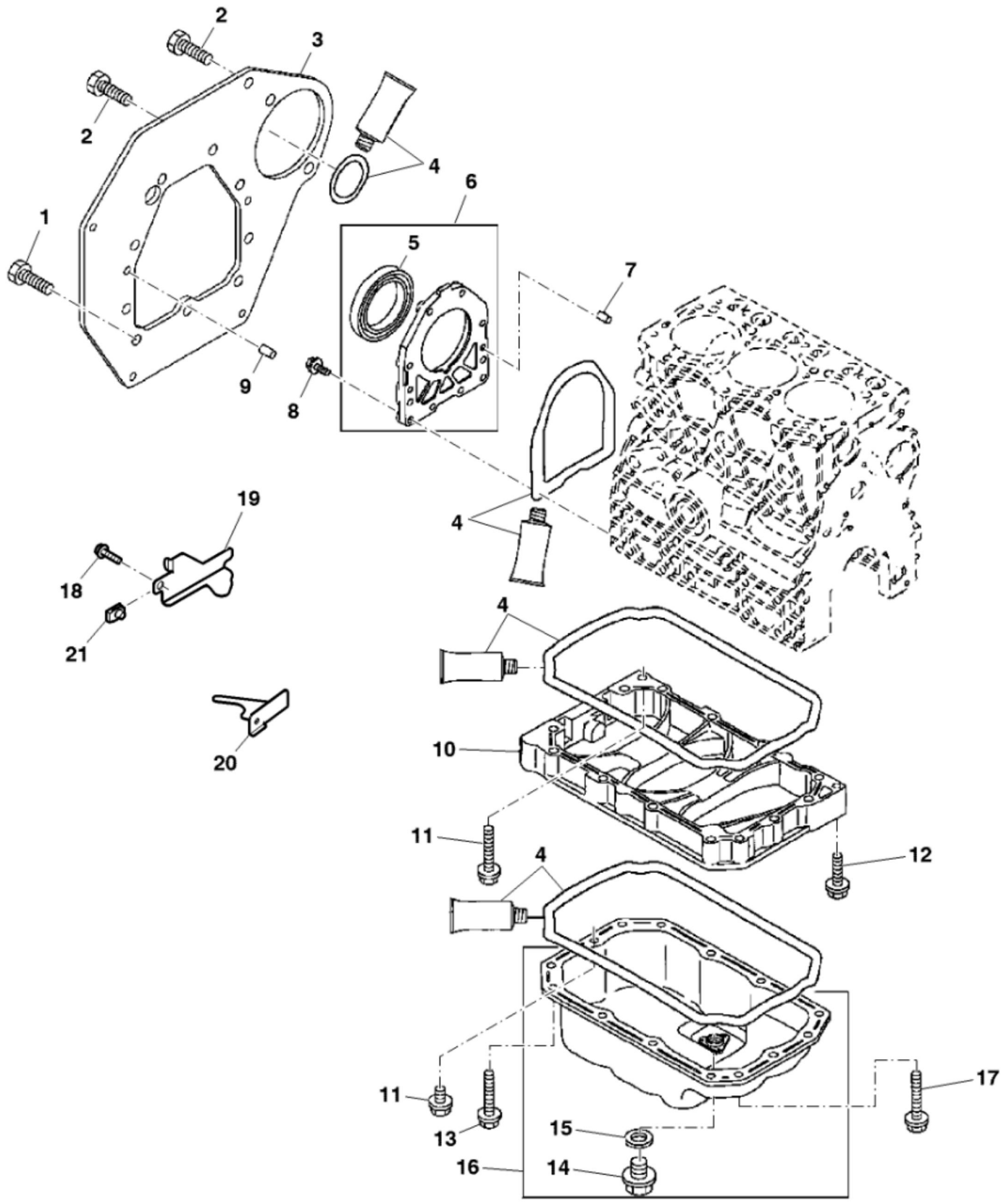
MP43810

KEY	PART NO.	PART NAME	QTY	REMARKS
1	M802650	BOLT	2	
2	M800100	BOLT	4	
3	MIA881653	COVER	1	
4	.....	PIPE	1	
5	M811981	SCREW	2	
6	M811849	GASKET	1	
7	M807374	SCREW	8	
8	M811649	COVER	1	
9	M811650	SPRING	1	
10	M811046	PLATE	1	
11	M811958	DIAPHRAGM	1	
12	AM882461	DIAPHRAGM	1	
13	M811939	GASKET	1	
14	M811836	DEFLECTOR	2	
15	M811835	PLATE	1	
16	M811836	DEFLECTOR	1	
17	.....	COVER	1	
18	MIA881654	VALVE COVER	1	
19	M805710	CAP	1	
20	M805711	PACKING	1	
21	19M7862	SCREW	3	M6 X 20
22	M64850	SEALANT	AR	2.8 OZ, TUBE



MP62570

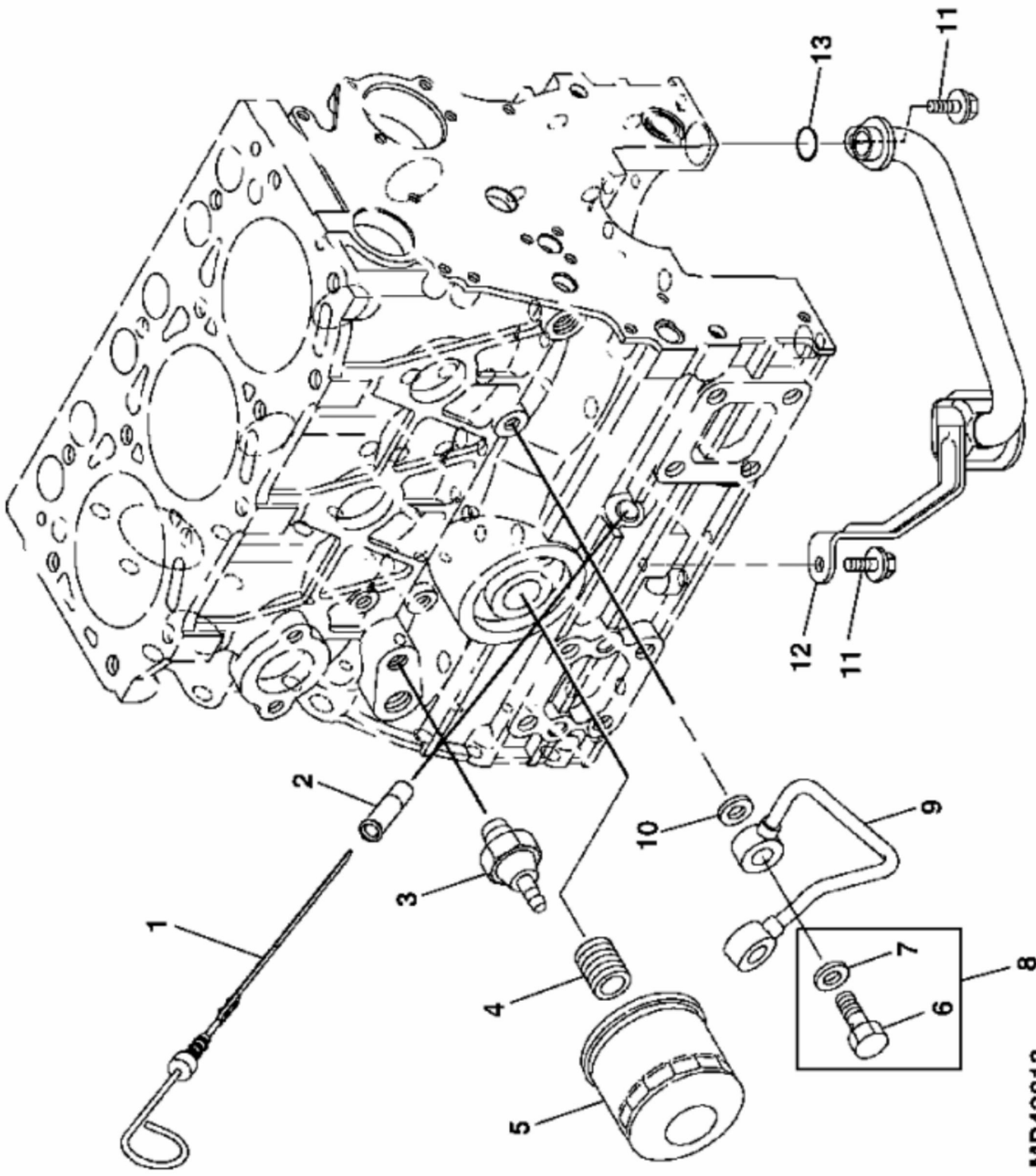
KEY	PART NO.	PART NAME	QTY	REMARKS
1	M811861	PUSH ROD	6	
2	M87813	TAPPET	6	
3	.....	CAMSHAFT	1	
4	M87812	SHAFT KEY	1	
5	M87810	FLANGE	1	
6	.....	GEAR	1	
7	M1A880537	CAMSHAFT	1	
8	19M7774	SCREW	2	M6 X 12
9	M87871	BOLT	3	
10	M811882	SHAFT	1	IDLE GEAR
11	MIU800598	IDLER GEAR	1	
12	.....	GEAR	1	
13	M1A880570	IDLER GEAR	1	
14	.....	BOLT	4	(NSEP)
15	14M7275	NUT	1	M12
16	12M7067	LOCK WASHER	1	12 mm
17	M811884	GEAR	1	
18	.....	FLANGE	1	(NSEP)



LV310086

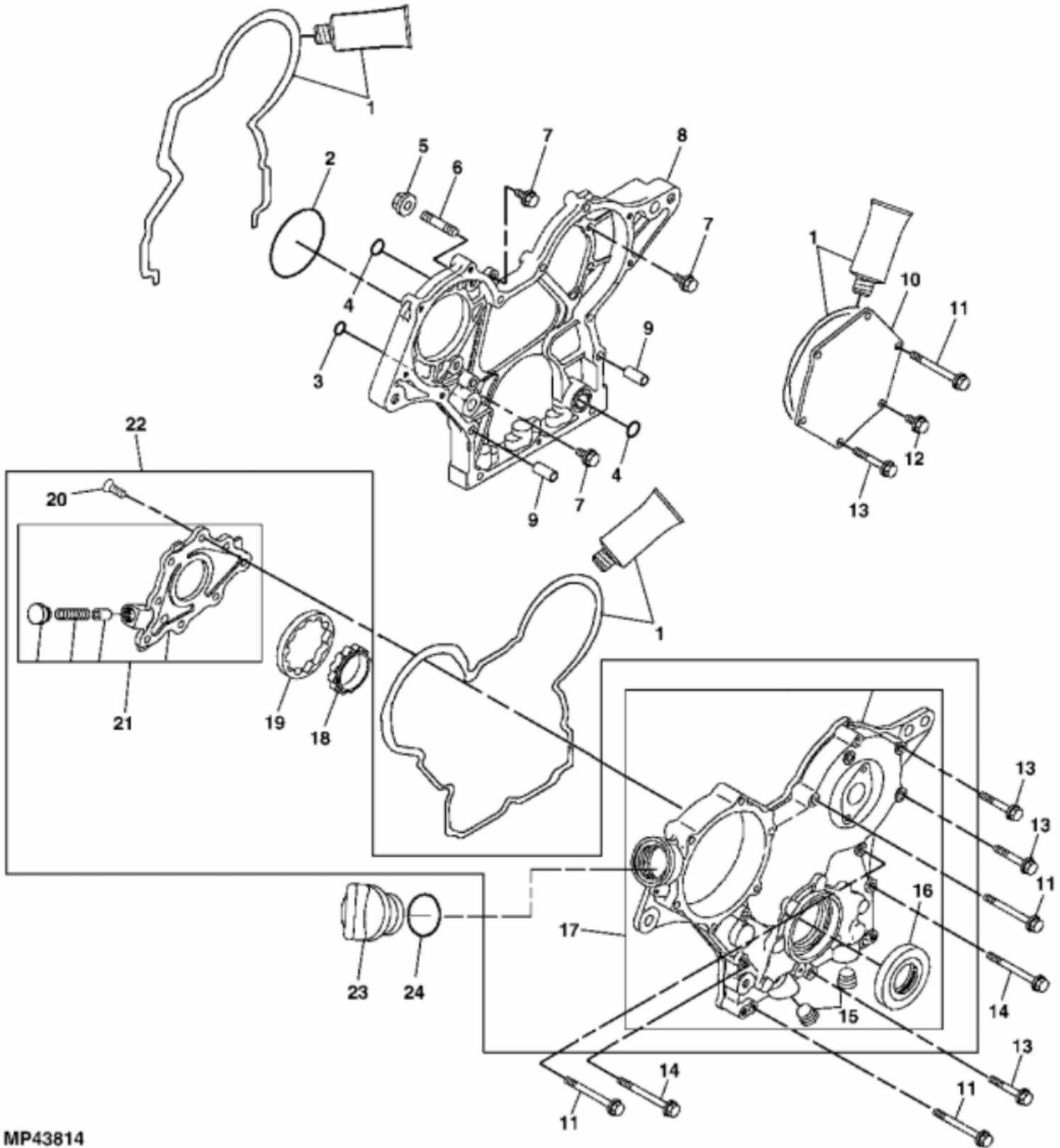


KEY	PART NO.	PART NAME	QTY	REMARKS
1	19M7402	CAP SCREW	3	M10 X 25
2	M800011	BOLT	7	
3	MIU800145	FLANGE	1	
4	M64850	SEALANT	AR	2.8 OZ, TUBE
5	M801941	SEAL	1	
6	AM882411	CASE	1	
7	M802254	PIN	2	
8	M87826	BOLT	10	
9	M802255	PIN	2	
10	M811822	SPACER	1	
11	CH19101	BOLT	11	
12	19M7868	SCREW	1	M8 X 30
13	19M7864	SCREW	1	M8 X 12
14	T111565	PLUG	1	
15	.....	WASHER	1	(ORDER AM882472)
16	MIA880098	RESERVOIR	1	
17	CH19086	BOLT	3	
18	19M7868	SCREW	1	M8 X 30
19	LVU23467	GUARD	1	RH, Fan
20	LVU23718	GUARD	1	LH, Belt
21	M84971	NUT	1	



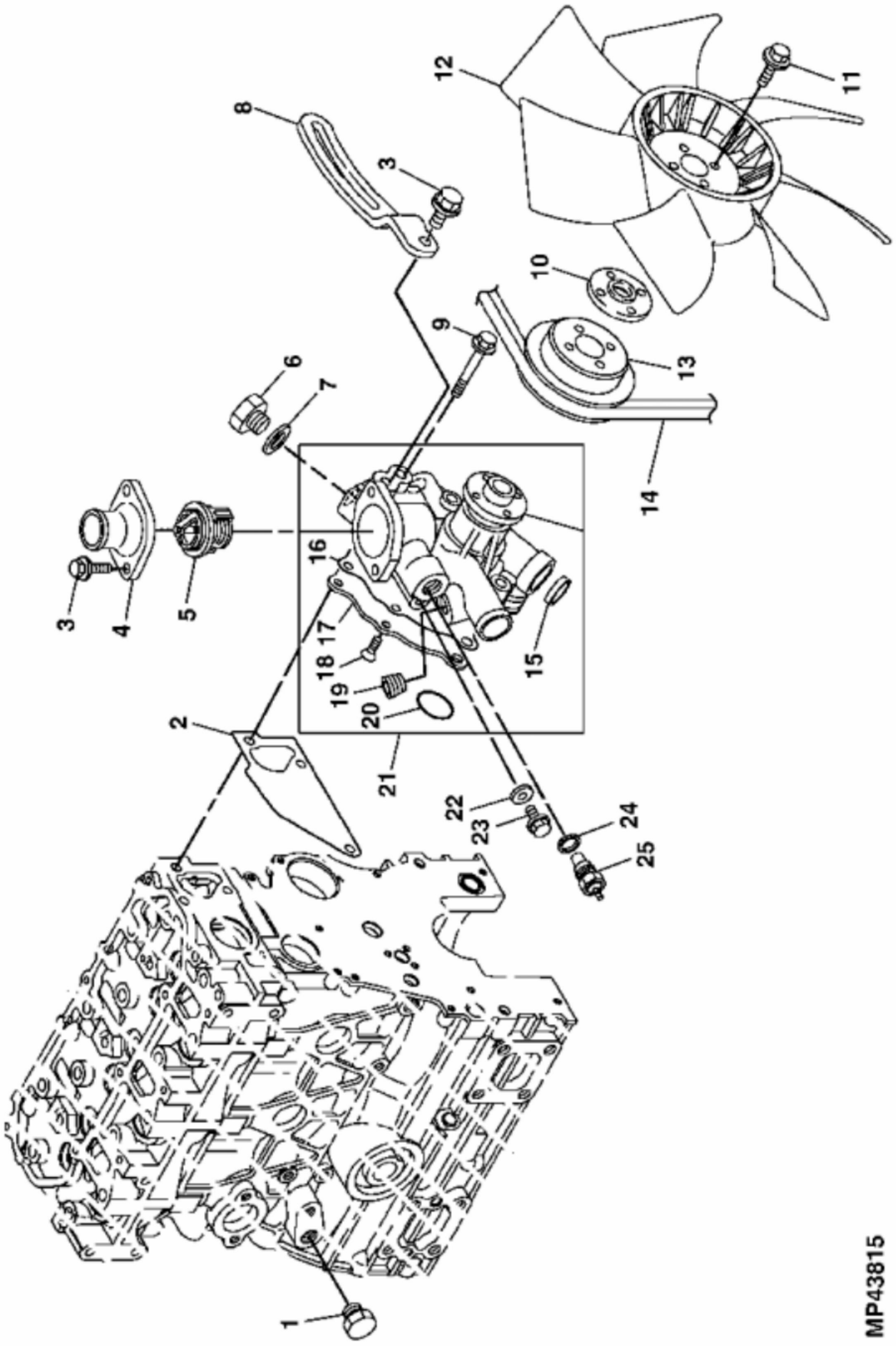
MP43813

KEY	PART NO.	PART NAME	QTY	REMARKS
1	MIU800097	DIPSTICK	1	
2	CH15495	GUIDE	1	
3	M809526	SWITCH	1	
4	MIU801676	BOLT	1	
5	M806418	OIL FILTER	1	
6	CH16843	HOLLOW SCREW	1	
7	M803523	WASHER	1	
8	AM881809	BOLT	2	
9	M811892	PIPE	1	
10	M803523	WASHER	2	
11	19M7300	CAP SCREW	2	M6 X 10
12	MIA880103	STRAINER	1	
13	M811886	O-RING	1	

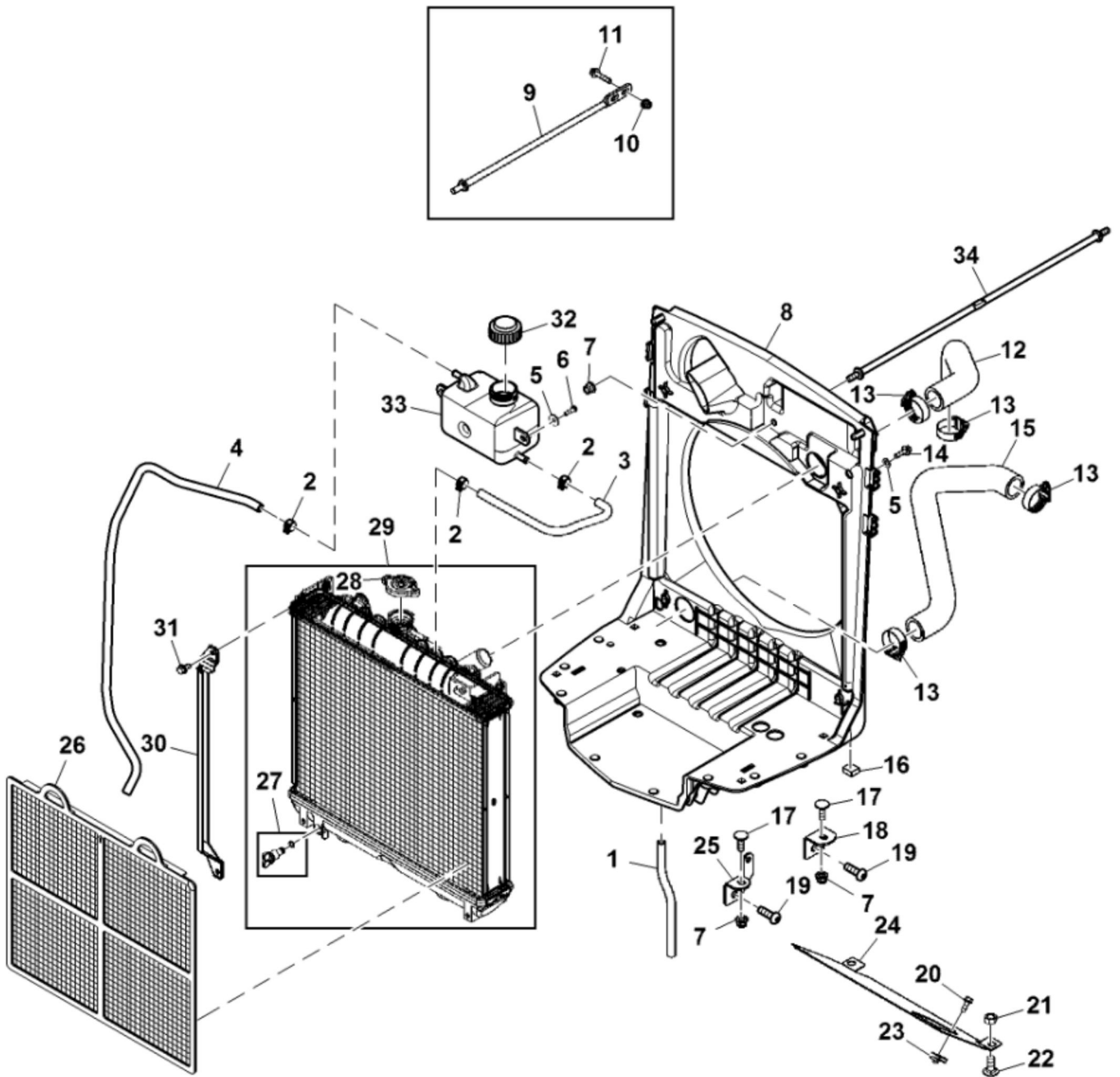


MP43814

KEY	PART NO.	PART NAME	QTY	REMARKS
1	M64850	SEALANT	AR	2.8 OZ, TUBE
2	CH16940	O-RING	1	
3	M809204	O-RING	1	
4	M811885	O-RING	3	
5	14M7298	FLANGE NUT	3	M8
6	M811820	STUD	3	
7	19M7775	SCREW	4	M6 X 16
8	M811816	GEAR CASE	1	
9	M800006	DOWEL PIN	2	
10	M811823	COVER	1	
11	M89120	BOLT	7	
12	19M7774	SCREW	1	M6 X 12
13	19M7797	BOLT	7	
14	M800065	BOLT	2	
15	M806938	PLUG	2	
16	M811563	SEAL	1	
17	AM882469	COVER	1	
18	M811888	ROTOR	1	INNER
19	M811889	ROTOR	1	OUTER
20	M811061	SCREW	8	
21	AM882435	COVER	1	
22	AM882445	COVER	1	
23	M805710	CAP	1	
24	M805711	O-RING	1	



KEY	PART NO.	PART NAME	QTY	REMARKS
1	M112792	DRAIN PLUG	1	
2	M811893	GASKET	1	
3	19M7866	BOLT	3	
4	CH15535	COVER	1	
5	M811895	THERMOSTAT	1	71 DEGREE C (160 DEGREE F)
5	M812140	THERMOSTAT	1	82 DEGREE C (180 DEGREE F), (OPTIONAL)
6	M800312	PLUG	1	
7	CH13814	WASHER	1	
8	MIU801718	ADJUSTER	1	
9	19M7800	BOLT	3	
10	M811950	SPACER	1	
11	M87826	BOLT	4	
12	MIU800073	FAN	1	
13	MIA880084	PULLEY	1	
14	M805011	V-BELT	1	
15	CH17101	PLUG	1	
16	MIU800071	WATER PUMP	1	
17	MIU800072	COVER	1	
18	21M7194	SCREW	4	M6 X 12
19	.....	PLUG	1	
20	MIU802236	O-RING	1	SUB FOR MIU800050
21	MIA882091	WATER PUMP	1	SUB FOR MIA880091
22	CH10554	PACKING	1	
23	19M7864	BOLT	1	
24	T110737	GASKET	1	
25	T110736	SENSOR	1	



LV290230



**Please write to us.**

**Our email:**

**aservicemanualpdf@yahoo.com**

**Please go to the homepage  
to get the full manual, or  
other brand PDF manuals.**

**Home Site:**

**aservicemanualpdf.com**

**Thank you very much for your reading. Please Click Here. Then Get COMPLETE MANUAL. NO WAITING**

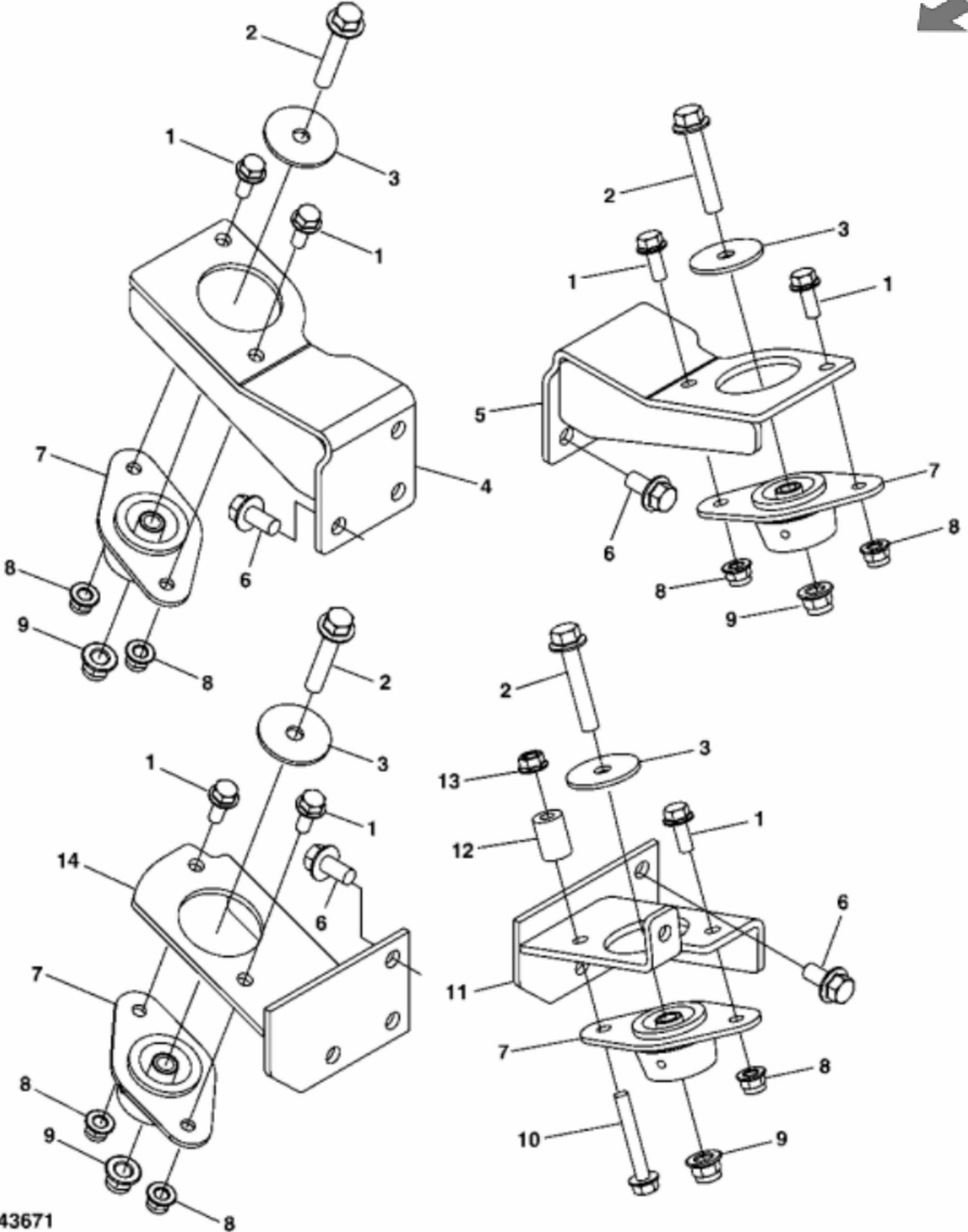


**NOTE:**

**If there is no response to click on the link above, please download the PDF document first and then click on it.**

KEY	PART NO.	PART NAME	QTY	Serial No.	REMARKS
1	.....	HOSE	AR		CTL 204 mm, MF R109375
2	R56101	CLIP	3		
3	.....	HOSE	AR		CTL 280 mm, MF R109375
4	.....	HOSE	AR		CTL 876 mm, MF R109375
5	24M7139	WASHER	6		6.400 X 18 X 1.600 mm
6	H111705	SCREW	2		
7	14M7396	LOCK NUT	5		M8
8	LVU29997	SHROUD	1		SUB FOR LVUJ26807
9	LVU21718	ROD	1		
10	19M7796	SCREW	2		M6 X 30
11	14M7397	LOCK NUT	2		M6
12	LVU21721	RADIATOR HOSE	1		Upper
13	TY22467	CLAMP	4	210001-_____	SUB FOR AR21839
14	19M7862	BOLT	4		
15	LVU24124	RADIATOR HOSE	1		Lower
16	LVU23828	PAD	1		MAKE FROM R210080
17	03M7093	BOLT	4		M8 X 25
18	LVU22316	ANGLE	2		Support
19	H148835	BOLT	4		
20	19M7775	BOLT	2		
21	14M7274	NUT	2		M10
22	03M7191	BOLT	2		M10 X 25
23	M84972	NUT	2		
24	LVU24345	DEFLECTOR	1		SUB FOR LVUJ22961
25	LVU22314	SUPPORT	1		LH
25	LVU22315	SUPPORT	1		RH
26	LVA17707	SCREEN	1		SUB FOR LVA16331
27	LVA12796	DRAIN PLUG	1		
28	TCU31996	FILLER CAP	1		SUB FOR M807428
29	LVA16455	RADIATOR	1		
30	LVU21726	GUIDE	1		RH
30	LVU21727	GUIDE	1		LH
31	19M7774	BOLT	4		
32	R99771	CAP	1		SUB FOR LVUJ28507

KEY	PART NO.	PART NAME	QTY	Serial No.	REMARKS
33	LVU29621	RADIATOR RESERVOIR	1		
34	LVU27925	ROD	1		SUB FOR LVU25417



MP43671